

H2 T (WH)

DMX-CONTROLLABLE HOUSE LIGHT
WITH WARM WHITE LED



FEATURES

- ▶ 150 W warm white LED with 10,500 lm total output
- ▶ 3,000 K colour temperature and CRI > 90 for good reproduction
- ▶ Adjustable beam angle from 20° to 60° using exchangeable lenses
- ▶ Completely silent operation thanks to convection cooling without fans
- ▶ Discrete installation flush with the ceiling possible thanks to optional installation kit
- ▶ Control via DMX and W-DMX™
- ▶ 5-pin XLR and terminal block connectors for simple integration into any environment
- ▶ 16-bit technology for high colour resolution and dimming
- ▶ Combines form and function in a minimalistic design
- ▶ Flicker-free operation thanks to selectable PWM frequencies up to 25 kHz
- ▶ Mounting bracket for truss or wall mounting included

DESCRIPTION

Discerning interior designers and lighting engineers particularly appreciate the CAMEO house light. Featuring 5-pin XLR and terminal block connectors, this house light can be easily integrated into any hall lighting or stage equipment to discretely fulfil its function in a minimalistic design. Exchangeable lenses allow the beam angle to be adjusted between 20° and 60°. It can also be mounted on trusses, on walls and even on ceilings. The optional installation kit means that it can also be discretely installed flush with the ceiling.

This intelligent house light fully exploits the potential of LED technology to discerningly flood theatres, restaurants, event venues and places of worship with warm white light. Perfectly suited to video recording, this pendant light, with a CRI of over 90, has flicker-free operation thanks to selectable PWM frequencies of up to 25 kHz. This allows concerts, theatre performances, conventions and events to be recorded for posterity in high quality. The 16-bit technology enables high colour resolution with smooth, stepless dimming. As well as this, DMX control, or wireless control via W-DMX™, allows especially flexible and refined operation. At the same time, convection cooling with noiseless operation offers outstanding performance properties in compact housing.



Features and specifications
subject to change without notice.

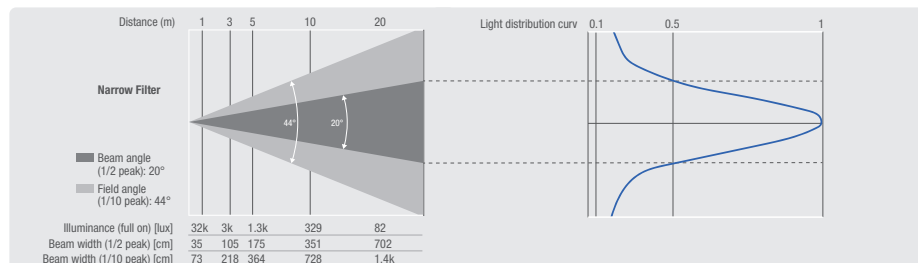
adamhall.com

H2 T (WH)

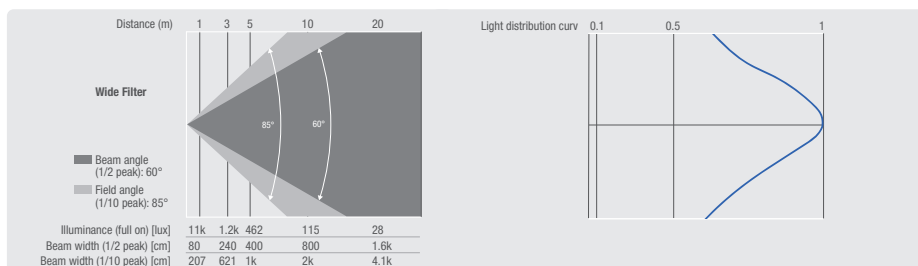
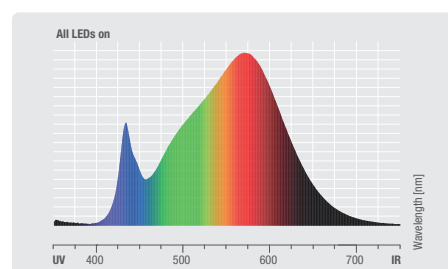
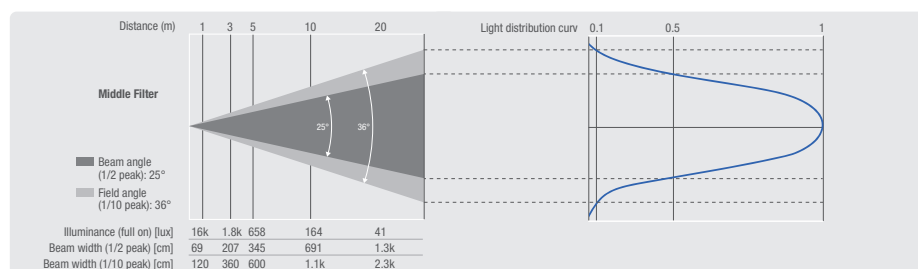
DMX-CONTROLLABLE HOUSE LIGHT
WITH WARM WHITE LED



PHOTOMETRICAL DATA



	Luminous flux	Chromaticity coordinates	CCT	R _a
Full on	10000 lm	x 0.434 y 0.401	3000	92



SPECIFICATIONS

Product type	Houselight
LED type	Tungsten, white
Dispersion	Filter 1 - BEAM: 20 - FIELD: 44 °, Filter 2 - BEAM: 25 - FIELD: 36 °, Filter 3 - BEAM: 60 - FIELD: 85 °
Color temperature	3000 K
Controls	DMX, Standalone, W-DMX Controller
Luminous flux	10500 lm
CRI	> 90
Power connector	Blue Power Twist, Phoenix Type Terminal Block Connector, Powercon, White Power Twist
DMX In / Out	Phoenix Type Terminal Block Connector
Max. output current	6 A
Power consumption	165 W
Operating voltage	100 V AC - 240 V AC, 50 - 60 Hz
Power supply connection	Powercon
Fuse	T3AL 250 V
Width	200 mm
Length	380 mm
Weight	8,3 kg

Features and specifications
subject to change without notice.

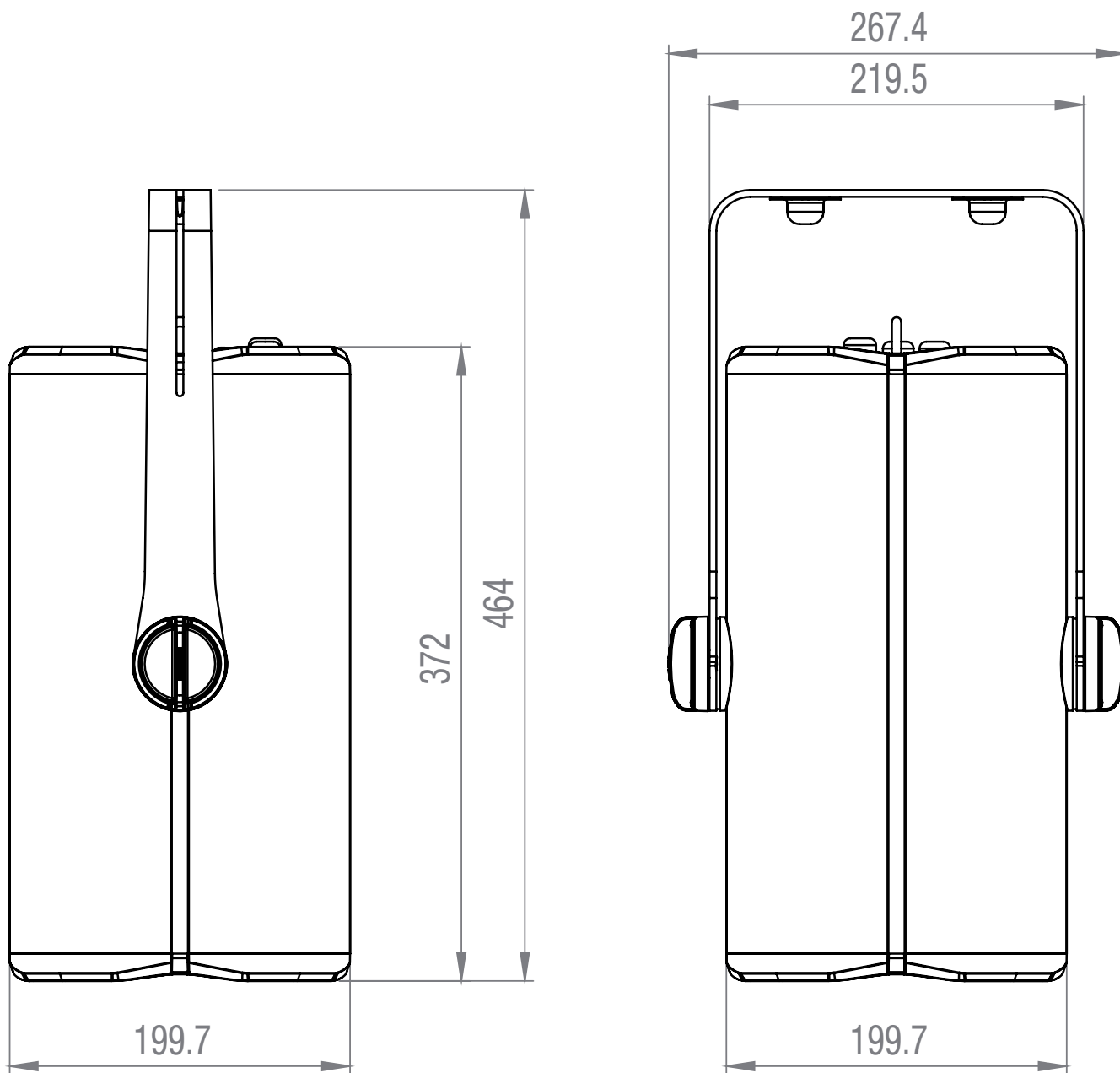
adamhall.com

H2 T (WH)

DMX-CONTROLLABLE HOUSE LIGHT
WITH WARM WHITE LED



DIMENSIONS (mm)



Features and specifications
subject to change without notice.

adamhall.com