

USER'S MANUAL  
BEDIENUNGSANLEITUNG  
MANUEL D'UTILISATION  
MANUAL DE USUARIO  
INSTRUKCJA OBSŁUGI  
MANUALE D' USO



# X3 TW

EXHIBITION LAMP WITH TUNABLE WHITE LEDS  
CLX3TW

# **CONTENTS / INHALTSVERZEICHNIS / CONTENU / CONTENIDO / TREŚĆ / CONTENUTO**

## **ENGLISH**

INFORMATION ON THIS USER MANUAL	6
INTENDED USE	6
DEFINITIONS AND SYMBOL EXPLANATIONS	6
SAFETY INSTRUCTIONS	7
NOTES FOR MOBILE INDOOR DEVICES	10
PACKAGING CONTENT	11
INTRODUCTION	11
CONNECTIONS, OPERATING AND DISPLAY ELEMENTS	12
OPERATION	14
INSTALLATION	20
FITTING THE DIFFUSER OR SASH LIMITER	21
OPTIONAL ACCESSORIES	21
CARE, MAINTENANCE AND REPAIR	22
ABMESSUNGEN (MM)	23
TECHNICAL DATA	24
MINIMUM DISTANCE TO ILLUMINATED SURFACE	25
MINIMUM DISTANCE TO NORMALLY FLAMMABLE MATERIALS	25
DISPOSAL	25
MANUFACTURER'S DECLARATIONS	26

## **DEUTSCH**

INFORMATIONEN ZU DIESER BEDIENUNGSANLEITUNG	27
BESTIMMUNGSGEMÄSSER GEBRAUCH	27
BEGRIFFS- UND SYMBOLERKLÄRUNGEN	27
SICHERHEITSHINWEISE	28
HINWEISE FÜR ORTSVERÄNDERLICHE INDOOR-GERÄTE	31
LIEFERUMFANG	32
EINFÜHRUNG	32
ANSCHLÜSSE, BEDIEN- UND ANZEIGEELEMENTE	33
BEDIENUNG	35
MONTAGE	41
STREUSCHEIBE BZW. FLÜGELBEGRENZER MONTIEREN	42
OPTIONALES ZUBEHÖR	42
PFLEGE, WARTUNG UND REPARATUR	43
ABMESSUNGEN (MM)	44
TECHNISCHE DATEN	45

MINDESTABSTAND ZUR BELEUCHTETEN FLÄCHE	46
MINDESTABSTAND ZU NORMAL ENTFLAMMBAREN MATERIALIEN	46
ENTSORGUNG	46
HERSTELLERERKLÄRUNGEN	47

## **FRANÇAIS**

INFORMATIONS CONCERNANT CE MANUEL D'UTILISATION	48
UTILISATION CONFORME	48
EXPLICATIONS DES TERMES ET DES SYMBOLES	48
CONSIGNES DE SÉCURITÉ	49
REMARQUES CONCERNANT LES APPAREILS D'INTÉRIEUR MOBILES	52
CONTENU DE LA LIVRAISON	53
INTRODUCTION	53
CONNECTEURS, COMMANDES ET INDICATEURS/AFFICHEURS	54
UTILISATION	56
MONTAGE	62
MONTER L'ÉCRAN DIFFUSEUR OU LE LIMITEUR D'AILE	63
ACCESSOIRES EN OPTION	63
ENTRETIEN, MAINTENANCE ET RÉPARATION	64
DIMENSIONS (MM)	65
CARACTÉRISTIQUES TECHNIQUES	66
DISTANCE MINIMALE PAR RAPPORT À LA SURFACE ÉCLAIRÉE	67
DISTANCE MINIMALE PAR RAPPORT AUX MATÉRIAUX NORMALEMENT INFLAMMABLES	67
MISE AU REBUT	67
DÉCLARATIONS DU FABRICANT	68

## **ESPAÑOL**

INFORMACIÓN SOBRE ESTE MANUAL DE USUARIO	69
USO ADECUADO	69
DEFINICIONES Y EXPLICACIONES DE LOS SÍMBOLOS	69
INSTRUCCIONES DE SEGURIDAD	70
INDICACIONES PARA EQUIPOS PORTÁTILES DE INTERIOR	73
ELEMENTOS SUMINISTRADOS	74
INTRODUCCIÓN	74
CONEXIONES, CONTROLES E INDICADORES	75
USO	77
MONTAJE	83

MONTAJE DEL DIFUSOR O VISERA	84
ACCESORIOS OPCIONALES	84
CUIDADO, MANTENIMIENTO Y REPARACIÓN	85
DIMENSIONES (MM)	86
CARACTERÍSTICAS TÉCNICAS	87
DISTANCIA MÍNIMA A LA SUPERFICIE ILUMINADA	88
DISTANCIA MÍNIMA A MATERIALES NORMALMENTE INFLAMABLES	88
ELIMINACIÓN	88
DECLARACIÓN DEL FABRICANTE	89

## **POLSKI**

INFORMACJE DOTYCZĄCE NINIEJSZEJ INSTRUKCJI OBSŁUGI	90
UŻYTKOWANIE ZGODNE Z PRZEZNACZENIEM	90
OBJAŚNIENIA TERMINÓW I SYMBOLI	90
ZASADY BEZPIECZEŃSTWA	91
UWAGI DOTYCZĄCE PRZENOŚNEGO SPRZĘTU DO STOSOWANIA W POMIĘSZCZENIACH	94
ZAKRES DOSTAWY	95
WPROWADZENIE	95
PRZYŁĄCZA, ELEMENTY OBSŁUGI I WSKAŹNIKI	96
OBSŁUGA	98
MONTAŻ	104
MONTAŻ DYFUZORA LUB SKRZYDEŁ OGRANICZAJĄCYCH	105
AKCESORIA DODATKOWE	105
CZYSZCZENIE, KONSERWACJA I NAPRAWY	106
ABMESSUNGEN (MM)	107
DANE TECHNICZNE	108
MINIMALNA ODLEGŁOŚĆ OD POWIERZCHNI OŚWIETLANEJ	109
MINIMALNA ODLEGŁOŚĆ OD NORMALNIE ŁATWOPALNYCH MATERIAŁÓW	109
UTYLIZACJA	109
OŚWIADCZENIA PRODUCENTA	110

## **ITALIANO**

INFORMAZIONI SU QUESTO MANUALE D'ISTRUZIONI	111
USO CONFORME	111
SPIEGAZIONE DI TERMINI E SIMBOLI	111
INDICAZIONI SULLA SICUREZZA	112
AVVERTENZE PER DISPOSITIVI PORTATILI PER INTERNI	115
DOTAZIONE	116
INTRODUZIONE	116
CONNESSIONI, ELEMENTI DI COMANDO E VISUALIZZAZIONE	117
UTILIZZO	119
MONTAGGIO	125

MONTAGGIO DEL DIFFUSORE O DEL DEFLETTORE AD ALETTE	126
ACCESSORI OPZIONALI	126
CURA, MANUTENZIONE E RIPARAZIONE	127
DIMENSIONI (MM)	128
DATI TECNICI	129
DISTANZA MINIMA DALLA SUPERFICIE ILLUMINATA	130
DISTANZA MINIMA DA MATERIALI NORMALMENTE INFIAMMABILI	130
SMALTIMENTO	130
DICHIARAZIONI DEL FABBRICANTE	131

## **DMX**

DMX CONTROL / DMX STEUERUNG / PILOTAGE DMX / CONTROL DMX / STEROWANIE DMX / CONTROLLO DMX	132
--	-----

**YOU HAVE MADE THE RIGHT CHOICE!**

This device has been developed and manufactured to the highest quality standards to ensure many years of problem-free operation. Please read this user manual carefully to be able to use your new Cameo product quickly and optimally. Further information about Cameo Light is available on our website **CAMEOLIGHT.COM**.

**INFORMATION ON THIS USER MANUAL**

- Carefully read the safety instructions and the entire manual before operating the device.
- Observe the warnings on the device and in the user manual.
- Always keep the user manual within reach.
- If you sell or pass on the device, it is important that you also include this user manual, as it is an integral part of the product.

**INTENDED USE**

The product is a device for event technology!

This product has been developed for professional use in the field of event technology and is not suitable for use as domestic lighting!

Furthermore, this product is only intended for qualified users with specialist knowledge of event technology!

Use of the product outside the specified technical data and operating conditions is considered improper use!

Liability for damage and third-party damage to persons and property due to inappropriate use is excluded!

The product is not suitable for:

- Use by persons (including children) with limited physical, sensory or mental abilities or lack of experience and knowledge.
- Children (children must be instructed not to play with the device).

**DEFINITIONS AND SYMBOL EXPLANATIONS**

1. **DANGER:** The word DANGER, possibly in combination with a symbol, indicates immediately dangerous situations or conditions for life and limb.
2. **WARNING:** The word WARNING, possibly in combination with a symbol, indicates potentially dangerous situations or conditions for life and limb.
3. **CAUTION:** The word CAUTION, possibly in combination with a symbol, is used to indicate situations or conditions that may lead to injury.
4. **ATTENTION:** The word ATTENTION, possibly in combination with a symbol, refers to situations or states that can lead to damage to property and/or the environment.



This symbol identifies hazards that can cause electric shock.



This symbol identifies hazardous areas or hazardous situations.



This symbol indicates hazards caused by hot surfaces.



This symbol indicates hazards caused by intense light sources.



This symbol denotes a device that does not contain any user-serviceable parts.



This symbol indicates additional information on the operation of the product.

## SAFETY INSTRUCTIONS



### HAZARD:

1. Do not open the device and do not perform any modifications.
2. If your device no longer functions properly, if liquids or objects get inside it or if it has been damaged in any other way, switch it off immediately and disconnect it from the mains. The device may be repaired only by authorised repair technicians.
3. For devices of protection class 1, the protective conductor must be connected correctly. Never disconnect the protective conductor. Devices of protection class 2 do not have a protective conductor.
4. Ensure that live cables are not kinked or otherwise mechanically damaged.
5. Never bypass the device fuse.



### WARNING:

1. The device may not be operated if it shows obvious signs of damage.
2. The device may only be installed in a voltage-free state.
3. If the device's power cable is damaged, the device may not be used.
4. Permanently connected power cables may only be replaced by a qualified person.

**ATTENTION:**

1. Do not switch on the device if it has been exposed to extreme temperature fluctuations (for example, following transport). Moisture and condensation can damage the device. Switch on the device only when it has reached room temperature.
2. Ensure that the voltage and frequency of the mains supply match the values specified on the device. If the device has a voltage selector switch, do not connect the device until it has been set correctly. Use only suitable power cables.
3. To disconnect the device from the mains on all poles, it is not sufficient to press the on/off switch on the device.
4. Make sure that the fuse used corresponds to the type printed on the device.
5. Ensure that suitable measures have been taken against overvoltage (e.g. lightning strikes).
6. Observe the specified maximum output current on devices with a Power Out connection. Ensure that the total current consumption of all connected devices does not exceed the specified value.
- 7 Replace plug-in power cables with original cables only.

**HAZARD:**

1. Danger of suffocation! Plastic bags and small parts must be kept out of reach of persons (including children) with reduced physical, sensory or mental capabilities.
2. Danger from falling down! Make sure that the device is securely installed and will not fall down. Only use suitable stands or mounts (particularly for fixed installations). Ensure that accessories are properly installed and secured. Ensure that applicable safety regulations are observed.

**WARNING:**

1. Use the device in the prescribed manner only.
2. Operate the device using only accessories of the type recommended and supplied by the manufacturer.
3. Observe safety regulations applicable in your country during installation.
4. After connecting the device, ensure that all cables are routed so as to avoid damage or accidents, such as from tripping.
5. Always observe the specified minimum distance to normally flammable materials! Unless explicitly stated, the minimum distance is 0.3 m.



**CAUTION:**

1. Moving components such as mounting brackets or other movable components may become jammed.
2. In the case of devices with motor-driven components, there is a risk of injury due to the movement of the device. Sudden device movement can cause shock reactions.
3. The housing surface of the device can become very hot during regular operation. Ensure that accidental touching of the housing is not possible. Always allow the lamp to cool sufficiently before removal, maintenance work and charging etc.

**ATTENTION:**

1. Do not install or use the device in the vicinity of radiators, accumulators, stoves, or other heat sources. Ensure that the device is always installed in such a way that it is sufficiently cooled and cannot overheat.
2. Do not place any ignition sources, such as burning candles, near the device.
3. Ventilation openings must not be covered and fans must not be blocked.
4. For transport, use the original packaging or packaging provided by the manufacturer.
5. Avoid any impacts to or shaking of the device.
6. Observe the IP rating and the ambient conditions such as temperature and humidity according to the specifications.
7. Devices can be continuously further developed. In the event of deviating information on operating conditions, performance or other device properties between the user manual and the device labelling, the information on the device always takes priority.
8. The device is not suitable for tropical climate zones or for operation over 2,000 m above sea level.
9. Unless explicitly stated, the device is not suitable for operation under marine conditions.

**PLEASE NOTE:**

For conversion or retrofit sets or accessories provided by the manufacturer, it is essential to observe the instructions included.

**CAUTION! IMPORTANT INFORMATION REGARDING LIGHTING PRODUCTS!**

1. Never look directly into the beam of light, not even for a short period of time.
2. Never look into the beam of light using optical devices such as a magnifying glass.
3. Stroboscopic effects may cause epileptic seizures in susceptible individuals!



4. Permanently installed lamps are built into these lighting units. These may not be replaced by the user. The lamps contained in this lighting unit may only be replaced by the manufacturer, its service partner, or a similarly qualified person.

**NOTES FOR MOBILE INDOOR DEVICES**

1. Temporary operation! Event equipment is generally only designed for temporary operation.
2. Continuous operation or permanent installation can impair the functioning of the device and cause premature ageing.

## PACKAGING CONTENT

Remove the product from the packaging and remove all packaging material.

Please check the completeness and integrity of the delivery and notify your distribution partner immediately after purchase if the delivery is not complete or if it is damaged.

The packaging includes:

- ▶ 1 x Cameo X3TW Spotlight
- ▶ 1x power cable
- ▶ User manual

## INTRODUCTION

LED PAR with 15 x 15 W Warm White and 16 x 15 W Cold White LEDs  
CLX3TW

### CONTROL FUNCTIONS:

1 CH, 2 CH 16 bit, 2 CH CCT, 2 CH Direct, 7 CH 16 bit DMX control

Master/slave operation

Standalone operation

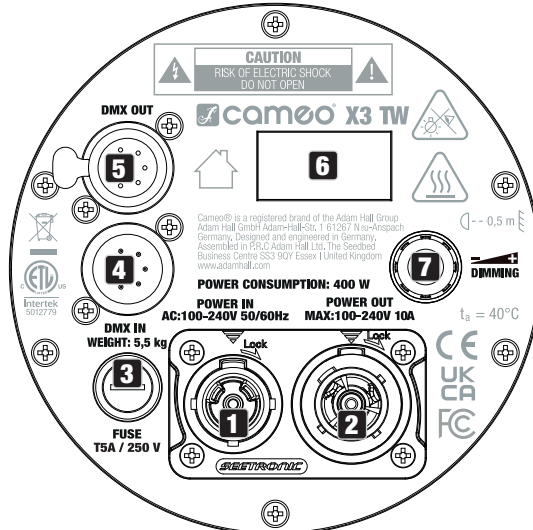
### FEATURES:

15 x 15 W Warm White and 16 x 15 W Cold White LEDs. DMX512. 5-pin DMX connectors. Quick-light via rotary-push encoder. Operating voltage: 100–240 V AC.

The spotlight features the RDM standard (Remote Device Management). This remote device management enables the status query and configuration of RDM end devices via an RDM-capable controller, such as the optionally available Cameo UNICON (item number CLIREMOTE).

The Cameo UNICON also allows access to the entire fixture menu.

## CONNECTIONS, OPERATING AND DISPLAY ELEMENTS



### 1 POWER IN

TRUE1-compatible mains input socket. Operating voltage 100–240 V AC/50–60 Hz. A suitable mains cable with TRUE1 compatible plug is included.

### 2 POWER OUT

TRUE1-compatible mains output socket. Facilitates power supply to other CAMEO spotlights. Ensure that the total power consumption of all devices connected to the device does not exceed the given ampere (A) value.

### 3 FUSE

for 5 x 20 mm fuses. **IMPORTANT NOTE:** Replace the fuse only with one of the same type and rating. In the event of repeated fuse failure, please contact an authorised service centre.

### 4 DMX IN

Male 5-pin XLR socket for connection to a DMX control device (e.g. DMX console).

### 5 DMX OUT

Female 5-pin XLR socket for sending the DMX control signal.

## **6 OLED DISPLAY**

The OLED display shows the currently activated operating mode (main display), the menu items in the menu and the numerical value or operating status in the corresponding menu items. If there is no input for approx. 30 seconds, the display automatically returns to the main display. Note on the main display in the operating modes with external control: As soon as the control signal is interrupted, the characters in the display start flashing; if the control signal is present again, the flashing stops.

## **7 ROTARY-PUSH ENCODER**

Use the rotary-push encoder to navigate in the unit menu and configure the spotlight:

Open the main menu: Press encoder

select (sub)menu item: Rotate encoder

open (sub)menu item: Press encoder

Change value or status: Turn encoder

Confirm change: Press encoder

Exit menu level: Select and confirm the arrow symbol

## **SECURING LUG**

One safety eyelet each for securing the headlamp when mounted overhead is located on the top and bottom of the headlamp.

## OPERATION

### PLEASE NOTE

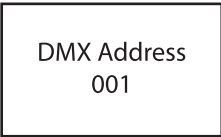
- As soon as the spotlight is correctly connected to the power supply, the following are displayed in succession: “Update wait ...” (for service purposes only), “Welcome to Cameo”, the model name and the software version. After this process, the spotlight is ready for operation and the previously activated operating mode is launched.
- The main display is activated automatically if no input is made within approximately 30 seconds.
- If one of the DMX operating modes is activated and there is no DMX signal at the DMX input, the characters in the display start flashing. Turning the encoder now activates the Quicklight mode and you can set the total brightness from 000 to 255 as desired (CW and WW each preset to value 255).



Quicklight  
255

### MAIN DISPLAY

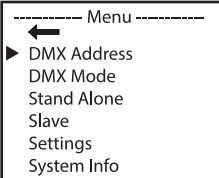
The main display shows the currently activated mode (in the example DMX mode with DMX start address 001).



DMX Address  
001

### SETTING DMX START ADDRESS (DMX address)

Starting from the main display, press the encoder to enter the main menu. Now select the menu item **DMX Address** and confirm. Set the desired DMX start address and confirm the entry (highest value depends on the currently set DMX operating mode).



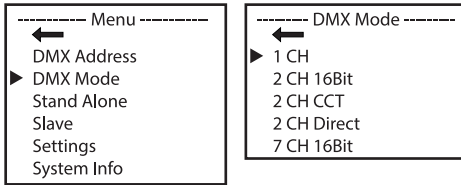
----- Menu -----  
←  
▶ DMX Address  
DMX Mode  
Stand Alone  
Slave  
Settings  
System Info



----- DMX Address -----  
001

## CONFIGURING DMX MODE (DMX Mode)

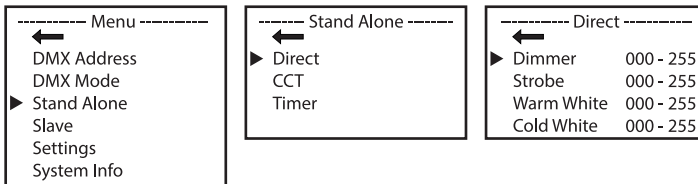
Starting from the main display, press the encoder to enter the main menu. Now select the menu item **DMX Mode** and confirm. Select the desired DMX operating mode and confirm the selection. Tables with the channel assignments can be found in these instructions under DMX CONTROL.



## STAND-ALONE DIRECT MODE

The stand-alone Direct mode allows dimmer, strobe, warm white and cold white to be set directly on the unit, similar to a DMX controller. In this way, an individual scene can be created without an additional DMX controller.

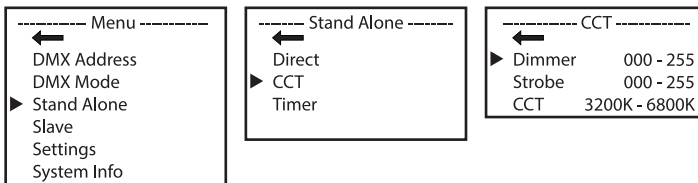
Starting from the main display, press the encoder to enter the main menu. Now select the **Stand Alone** menu item, confirm, then select **Direct** and confirm again. Now select the menu item you wish to edit and confirm. Set the desired value and confirm the entry. The values for the strobe effect correspond to the values in channel 3 of the DMX table 7 CH 16 bit.



## CCT STANDALONE MODE (Correlated Colour Temperature)

Adjust the dimmer, strobe and colour temperature as desired.

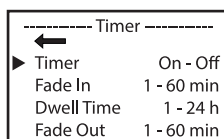
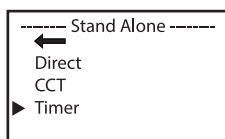
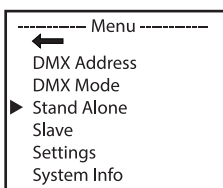
Starting from the main display, press the encoder to enter the main menu. Now select the **Stand Alone** menu item, confirm, then select **CCT** and confirm again. Now select the menu item you wish to edit and confirm. Set the desired value and confirm the entry. The values for the strobe effect correspond to the values in channel 3 of the DMX table 7 CH 16 bit.



## TIMER FUNCTION

The timer function allows timed control of the **Direct** and **CCT** stand-alone modes in such a way that the fade-in time (Fade In) can be set from 1 to 60 minutes, the dwell time (Dwell Time) from 1 to 24 hours and the fade-out time (Fade Out) from 1 to 60 minutes. Time control starts immediately after activating the timer function in the previously activated standalone mode and remains active even if the spotlight is switched off and restarted.

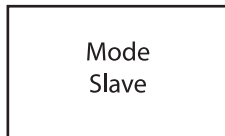
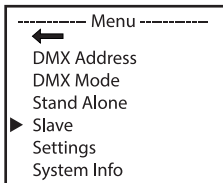
Starting from the main display, press the encoder to enter the main menu. Select the **Stand Alone** menu item, confirm, then select **Timer** and confirm again. Now select **Fade In, Dwell Time** or **Fade Out** for the individual settings and confirm. The display shows a number field in each case and you can set the value as desired from 1 to 60 or 1 to 24 by turning the encoder. Confirm again. Once all settings have been made as desired, activate the timer function by selecting the Timer **On/Off** sub-menu item, confirm, select **On** and confirm again (to deactivate the timer function, please select **Off** and confirm).



Note: The timer function is suitable for use in master/slave operation via cable.

## SLAVE MODE

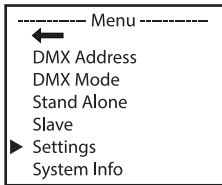
Starting from the main display, press the encoder to enter the main menu. Select the **Slave** menu item and confirm the selection. Connect the slave and the master unit (same model, same software version) using a DMX cable and activate one of the stand-alone operating modes (Direct, CCT) in the master unit. The slave unit will now follow the master unit.





## SYSTEM SETTINGS (Settings)

Ausgehend von der Hauptanzeige gelangen Sie durch Drücken auf den Encoder in das Hauptmenü. Select the **Settings** menu item and confirm the selection.



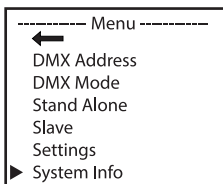
This will take you to the submenu for setting the submenu items. See table (rotate the encoder to select and push the encoder to confirm selection, change value or status by rotating, confirm by pressing encoder).

Settings				
Display Reverse	=	Rotate display	OFF	No display rotation
			ON	Display is rotated by 180° (e.g. for over-head installation)
Display Off Timer	=	Display lighting	Off after 20s	Deactivates after approximately 20 seconds of inactivity
			Always On	On permanently
DMX fail	=	Operational status with DMX signal fault	Hold	Last command is retained
			or blackout,	Activates blackout
			Full	Full On = maximum brightness
			Stand-alone	Stand Alone Mode Direct is activated
Dimmer curve	=	Dimmer curve	Linear	Light intensity increases linearly with DMX value
			Exponential	Light intensity can be finely adjusted at lower DMX values and broadly adjusted at higher DMX values
			Logarithmic	Light intensity can be broadly adjusted at lower DMX values and finely adjusted at higher DMX values
			S-curve	Light intensity can be finely adjusted at lower and higher DMX values and broadly adjusted at medium DMX values

Constant Brightness	=	Constant brightness when threading from warm white to cool white and vice versa	On	Function enabled
			Off	Function disabled
Dimmer response	=	Dimmer response	LED	Lamp responds abruptly to changes in DMX value
			Halogen	Light behaves like a halogen spotlight with slight brightness changes
PWM Frequency	=	LED PWM frequency	650Hz, 1530Hz, 3600Hz, 12000Hz, 18900Hz, 25000Hz	Select LED PWM frequency
Fan	=	Fan control	Car	Automatic fan speed control
			Off	Deactivated fan with greatly reduced brightness
			Constant High	Constant high fan speed
			Constant Medium	Constant average fan speed with reduced brightness, if necessary
			Constant Low	Constantly low fan speed with reduced brightness, if necessary
Calibration	=	Calibration of warm white and cool white	Warm White	Individual calibration of warm white and cool white. Cross-mode brightness setting with values from 000-255
			Cold White	
Factory Reset	=	Reset to factory settings	Reset Now? Yes / No	Reset with Yes, cancel with No
Service Timer Reset	=	Resetting the Service Timer	Reset Now? Yes / No	Reset with Yes, cancel with No

## SYSTEM INFORMATION (System Info)

Starting from the main display, press the encoder to enter the main menu. Select the System Info menu item and confirm the selection.



This will take you to the submenu for accessing the system information (see table):

System Info				
Firmware	=	Displays device firmware	Main CPU V1.xx	
Temperature	=	Displays temperature of LED unit	Temperature	LED xx°C / xx°F
			Temperature unit	°C (= display in degrees Celsius) °F (= display in degrees Fahrenheit)
Operation Hours	=	Displays operating time	Unit Operation Time xx:xxh	Display of the unit operating time in hours and minutes
			LED Operation Time xx:xxh	Display of LED operating time in hours and minutes
			Service Time	Display of the unit operating time since the last reset of the service timer in hours and minutes

## INSTALLATION

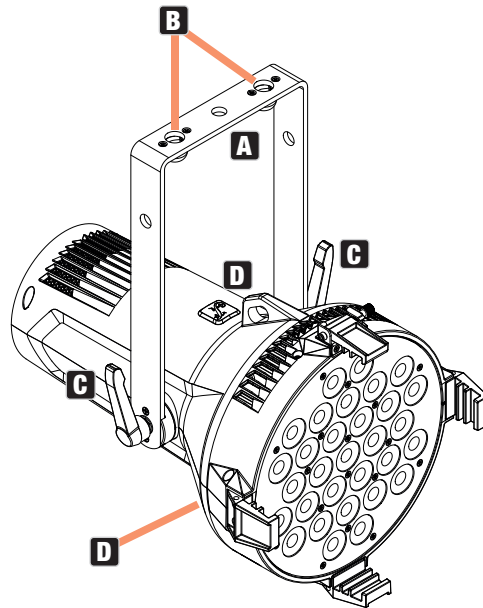


**DANGER :** Overhead mounting requires extensive experience, including the calculation of the load limit values of the installation material and regular safety inspection of all installation materials and spotlights. If you do not have these qualifications, do not attempt to perform an installation yourself. Refer instead to a qualified professional. There is a risk that devices that are incorrectly mounted and secured may come loose and fall down. This can cause serious injury or death.

Mount a suitable truss clamp directly on the U-bracket (fig. A). An optionally available Omega bracket can also be attached to the U-bracket (Fig. B). Installation on a truss is possible with a truss clamp. Suitable truss clamps are optionally available.

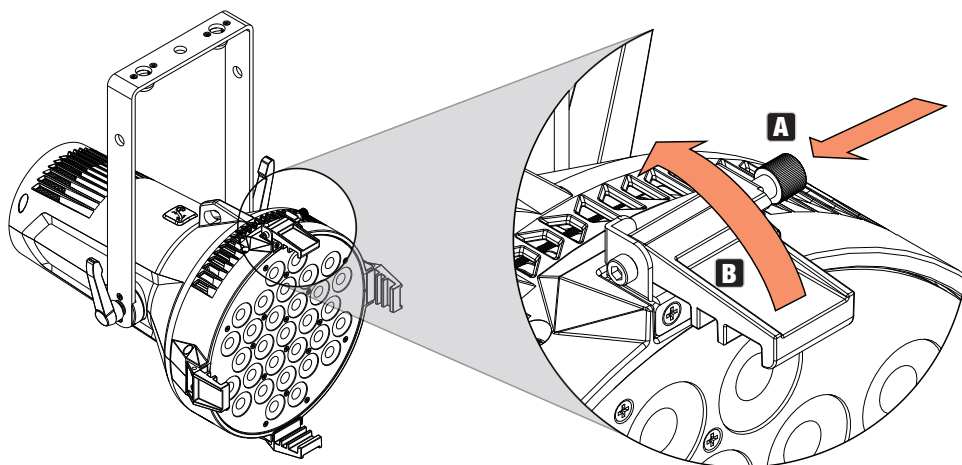
Loosen the two clamping levers on the sides of the headlamp (fig. C) to adjust the beam direction on a vertical plane and tighten the two clamping levers again after adjustment.

Always ensure firm connections and secure the headlamp with a suitable safety rope, depending on the situation, to the safety eyelet on the top or bottom of the headlamp (Fig. D).



## FITTING THE DIFFUSER OR SASH LIMITER

To mount an optionally available diffusing lens (or wing limiter), press the spring-loaded locking pin on the top of the headlamp (fig. A). The holder now automatically folds upwards (Fig. B). Slide the diffuser (or sash limiter) from above into the grooves of the side and bottom brackets.



Now fold the spring-loaded bracket on the top of the headlamp back down, making sure that the locking pin engages correctly.

## OPTIONAL ACCESSORIES

### 4-fold Barndoor

CLX3BARNDOOR



### Diffusers

CLX31060LENS (10° x 60°)

CLX320LENS (20°)

CLX350LENS (50°)

CLX380LENS (80°)



### Omega bracket

CLOMEGABRACKET1



- Illustrations similar -

## CARE, MAINTENANCE AND REPAIR

In order to ensure the long-term, proper functioning of the device, it must be regularly cleaned and, if necessary, maintained. The maintenance requirement depends on the intensity of use and the environment in which it is used.

We generally recommend a visual inspection before each operation. Furthermore, we recommend carrying out all the applicable maintenance measures specified below once every 500 operating hours or, in the case of a lower intensity of use, at the latest after one year. Warranty claims may be limited in the event of defects resulting from inadequate maintenance.

### CARE (carried out by user)



**WARNING!** Before carrying out any care or maintenance, the power supply – and, if possible, all device connections – must be disconnected.



**PLEASE NOTE!** Improper care can lead to impairment of the device or even its destruction.

1. Housing surfaces must be cleaned with a clean, damp cloth. Make sure that no moisture can penetrate the device.
2. Air inlets and outlets must be regularly cleaned of dust and dirt. If compressed air is used, make sure that damage to the device is prevented (e.g. fans must be blocked in this case).
3. Lines and plug contacts must be cleaned regularly and dust and dirt must be removed.
4. In general, no cleaning agents or abrasive agents may be used, otherwise the surface finish may be damaged.
5. Devices must generally be stored dry and protected from dust and dirt.

### MAINTENANCE AND REPAIR (by qualified personnel only)



**HAZARD!** There are live components in the device. Even after disconnecting the mains connection, there may still be residual voltage in the device, for example, due to charged capacitors.



**PLEASE NOTE!** There are no user-serviceable assemblies in the device.

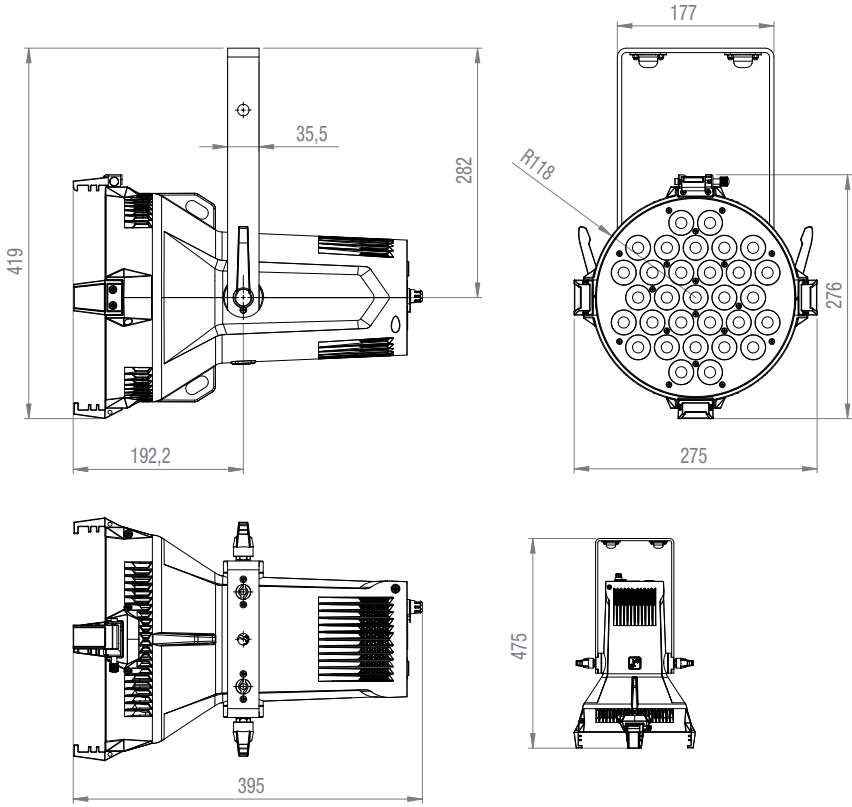


**PLEASE NOTE!** Maintenance and repair work may only be carried out by qualified specialist personnel authorised by the manufacturer. If in doubt, consult the manufacturer.



**PLEASE NOTE!** Improperly performed maintenance work may affect warranty claims.

# ABMESSUNGEN (mm)



ENGLISH

DEUTSCH

FRANCAIS

ESPAÑOL

POLSKI

ITALIANO

DMX

## TECHNICAL DATA

ENGLISH

### **Product number:** CLX3TW

Product type: LED spotlight

Type: Measuring lamp

Colour spectrum: Tunable White

Number of LEDs: 16 x CW + 15 x WW

LED type: 15 W

LED PWM frequency: 650 Hz, 1530 Hz, 3600 Hz, 25 kHz (adjustable)

Half scattering angle (tenth scattering angle) 8° (16,5°)

Control signal input: 5-pin XLR male

Control signal output: 5-pin XLR female

DMX functions: Dimmer, strobe, warm white, cool white, CCT, device setting

Control protocols: DMX 512, RDM

Standalone functions: Direct, CCT, Timer

Display: OLED

Operating controls: Rotary-push encoder

Operating voltage: 100–240 V AC/50–60 Hz

Power consumption: 400 W

POWER OUT max. 10 A

Light intensity (@ 3m): 50000 lx

Colour temperature: 3200K - 6800K

Luminous flux: Full On: 21000 lm

WW: 9700 lm

CW: 12000 lm

CRI: >83

Power supply connection: TRUE1 compatible sockets (IN + OUT)

IP protection class IP20

Ambient temperature (in operation): 0 °C-40 °C

Minimum distance to illuminated surface: 0.5 m

Minimum distance to normally flammable materials: 0.5 m

Housing colour: Black

Housing material: Magnesium Alloy

Housing cooling: Temperature-controlled fan

Dimensions (W x H x D, without bracket): 275 x 276 x 395 mm

Weight: 5,5 kg

Accessories included: 1x power cable

Accessories (optional): Diffusing lens 20°, 50°, 80°, 60° x 10°; Omega Bracket; Barn-door

DEUTSCH

FRANCAIS

ESPAÑOL

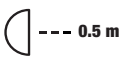
POLSKI

ITALIANO

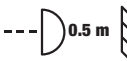
DMX



## MINIMUM DISTANCE TO ILLUMINATED SURFACE

 This symbol with distance specification in metres (m) indicates the minimum distance between the light head and the illuminated surface. In this example, the distance is 0.5 m. Please refer to the technical data in this manual and the imprint on the unit casing for the value valid for this unit!

## MINIMUM DISTANCE TO NORMALLY FLAMMABLE MATERIALS

 This symbol with distance specification in metres (m) indicates the minimum distance between the light head and normally flammable materials. In this example, the distance is 0.5 m. Please refer to the technical data in this manual for the value valid for this unit!

## DISPOSAL



### PACKAGING:

1. Packaging can be fed into the reusable material cycle using the usual disposal methods.
2. Please separate the packaging in accordance with the disposal laws and recycling regulations in your country.



### DEVICE:

1. This device is subject to the European Directive on Waste Electrical and Electronic Equipment, as amended. WEEE Directive Waste Electrical and Electronic Equipment. Old appliances do not belong in household waste. The old device must be disposed of via an approved disposal company or a municipal disposal facility. Please observe the applicable regulations in your country!
2. Observe all disposal laws applicable in your country.
3. As a private customer, you can obtain information on environmentally-friendly disposal options from the seller of the product or the appropriate regional authorities.

## MANUFACTURER'S DECLARATIONS

### Manufacturer's warranty & limitation of liability

Adam Hall GmbH, Adam-Hall-Str. 1, D-61267 Neu Anspach

E-mail: [Info@adamhall.com](mailto:Info@adamhall.com) / +49 (0)6081 / 9419-0.

Our current warranty conditions and limitation of liability can be found at:

[https://cdn-shop.adamhall.com/media/pdf/Manufacturers-Declarations-CAMEO\\_DE\\_EN\\_ES\\_FR.pdf](https://cdn-shop.adamhall.com/media/pdf/Manufacturers-Declarations-CAMEO_DE_EN_ES_FR.pdf)

Contact your distribution partner for service.

### UKCA- CONFORMITY

Hereby, Adam Hall Ltd. declares that this product meets the following guidelines (where applicable)

Electrical Equipment (Safety) Regulations 2016

Electromagnetic Compatibility Regulations 2016 (SI 2016/1091)

The Restriction of the Use of Certain Hazardous Substances in Electrical and Electronic Equipment Regulation 2012 (SI 2012/3032)

Radio Equipment Regulations 2017 (SI 2016/2015)

### UKCA- DECLARATION OF CONFORMITY

Products that are subject to Electrical Equipment(Safety)Regulation 2016, EMC Regulation 2016 or RoHS Regulation can be requested at [info@adamhall.com](mailto:info@adamhall.com).

Products that are subject to the Radio Equipments Regulations 2017 (SI2017/1206) can be downloaded from [www.adamhall.com/compliance/](http://www.adamhall.com/compliance/)

**Subject to misprints and errors, as well as technical or other modifications!**

**SIE HABEN DIE RICHTIGE WAHL GETROFFEN!**

Dieses Gerät wurde unter hohen Qualitätsanforderungen entwickelt und gefertigt, um viele Jahre einen reibungslosen Betrieb zu gewährleisten. Bitte lesen Sie diese Bedienungsanleitung sorgfältig, damit Sie Ihr neues Produkt von Cameo Light schnell und optimal einsetzen können. Weitere Informationen über Cameo Light erhalten Sie auf unserer Website **CAMEOLIGHT.COM**.

**INFORMATIONEN ZU DIESER BEDIENUNGSANLEITUNG**

- Lesen Sie vor Inbetriebnahme die Sicherheitshinweise und die gesamte Anleitung aufmerksam durch.
- Beachten Sie die Warnungen auf dem Gerät und in der Bedienungsanleitung.
- Bewahren Sie die Bedienungsanleitung immer in Reichweite auf.
- Wenn Sie das Gerät verkaufen oder weitergeben, händigen Sie unbedingt auch diese Bedienungsanleitung aus, da sie ein wesentlicher Bestandteil des Produkts ist.

**BESTIMMUNGSGEMÄSSER GEBRAUCH**

Bei dem Produkt handelt es sich um ein Gerät für die Veranstaltungstechnik!

Das Produkt ist für den professionellen Einsatz im Bereich der Veranstaltungstechnik entwickelt worden und ist nicht für die Verwendung in Haushalten geeignet!

Weiterhin ist dieses Produkt nur für qualifizierte Benutzer mit Fachkenntnissen im Umgang mit Veranstaltungstechnik vorgesehen!

Die Benutzung des Produkts außerhalb der spezifizierten technischen Daten und Betriebsbedingungen gilt als nicht bestimmungsgemäß!

Haftung für Schäden und Drittschäden an Personen und Sachen durch nicht bestimmungsgemäßen Gebrauch ist ausgeschlossen!

Das Produkt ist nicht geeignet für:

- Personen (einschließlich Kinder) mit eingeschränkten körperlichen, sensorischen oder geistigen Fähigkeiten oder mangelnder Erfahrung und Kenntnis.
- Kinder (Kinder müssen angewiesen werden, nicht mit dem Gerät zu spielen).

**BEGRIFFS- UND SYMBOLERKLÄRUNGEN**

1. **GEFAHR:** Mit dem Wort GEFAHR, evtl. in Kombination mit einem Symbol, wird auf unmittelbar gefährliche Situationen oder Zustände für Leib und Leben hingewiesen.
2. **WARNUNG:** Mit dem Wort WARNUNG, evtl. in Kombination mit einem Symbol, wird auf potentiell gefährliche Situationen oder Zustände für Leib und Leben hingewiesen.
3. **VORSICHT:** Mit dem Wort VORSICHT, evtl. in Kombination mit einem Symbol, wird auf Situationen oder Zustände hingewiesen, die zu Verletzungen führen können.
4. **ACHTUNG:** Mit dem Wort ACHTUNG, evtl. in Kombination mit einem Symbol, wird auf Situationen oder Zustände hingewiesen, die zu Sach- und/oder Umweltschäden führen können.



Dieses Symbol kennzeichnet Gefahren, die einen elektrischen Schlag verursachen können.



Dieses Symbol kennzeichnet Gefahrenstellen oder gefährliche Situationen.



Dieses Symbol kennzeichnet Gefahren durch heiße Oberflächen.



Dieses Symbol kennzeichnet Gefahren durch intensive Lichtquellen.



Dieses Symbol kennzeichnet ein Gerät, in dem sich keine vom Benutzer austauschbaren Teile befinden.



Dieses Symbol kennzeichnet ergänzende Informationen zur Bedienung des Produkts.

## SICHERHEITSHINWEISE



### GEFAHR:

1. Öffnen Sie das Gerät nicht und verändern Sie es nicht.
2. Wenn Ihr Gerät nicht mehr ordnungsgemäß funktioniert, Flüssigkeiten oder Gegenstände in das Geräteinnere gelangt sind, oder das Gerät anderweitig beschädigt wurde, schalten Sie es sofort aus und trennen es von der Spannungsversorgung. Dieses Gerät darf nur von autorisiertem Fachpersonal repariert werden.
3. Bei Geräten der Schutzklasse 1 muss der Schutzleiter korrekt angeschlossen werden. Unterbrechen Sie niemals den Schutzleiter. Geräte der Schutzklasse 2 haben keinen Schutzleiter.
4. Sorgen Sie dafür, dass spannungsführende Kabel nicht geknickt oder anderweitig mechanisch beschädigt werden.
5. Überbrücken Sie niemals die Gerätesicherung.



### WARNUNG:

1. Das Gerät darf nicht in Betrieb genommen werden, wenn es offensichtliche Beschädigungen aufweist.
2. Das Gerät darf nur im spannungsfreien Zustand installiert werden.
3. Wenn das Netzkabel des Geräts beschädigt ist, darf das Gerät nicht in Betrieb genommen werden.
4. Fest angeschlossene Netzleitungen dürfen nur von einer qualifizierten Person ersetzt werden.



### ACHTUNG:

1. Nehmen Sie das Gerät nicht in Betrieb, wenn es starken Temperaturschwankungen ausgesetzt war (beispielsweise nach dem Transport). Feuchtigkeit und Kondensat könnten das Gerät beschädigen. Schalten Sie das Gerät erst ein, wenn es Umgebungstemperatur erreicht hat.
2. Stellen Sie sicher, dass die Spannung und die Frequenz des Stromnetzes mit den auf dem Gerät angegebenen Werten übereinstimmen. Verfügt das Gerät über einen Spannungswahlschalter, schließen Sie das Gerät erst an, wenn dieser korrekt eingestellt ist. Nutzen sie nur geeignete Netzkabel.
3. Um das Gerät allpolig vom Netz zu trennen genügt es nicht, den Ein-/Aus-Schalter am Gerät zu betätigen.
4. Stellen Sie sicher, dass die eingesetzte Sicherung dem auf dem Gerät abgedruckten Typ entspricht.
5. Stellen Sie sicher, dass geeignete Maßnahmen gegen Überspannung (z.B. Blitzschlag) ergriffen wurden.
6. Beachten Sie den angegebenen maximalen Ausgangsstrom an Geräten mit Power Out Anschluss. Beachten Sie, dass die gesamte Stromaufnahme aller angeschlossenen Geräte den vorgegebenen Wert nicht überschreitet.
7. Ersetzen Sie steckbare Netzleitungen nur durch Originalleitungen.



### GEFAHR:

1. Erstickungsgefahr! Kunststoffbeutel und Kleinteile müssen außer Reichweite von Personen (einschließlich Kindern) mit eingeschränkten körperlichen, sensorischen oder geistigen Fähigkeiten aufbewahrt werden.
2. Gefahr durch Herabfallen! Stellen Sie sicher, dass das Gerät sicher installiert ist und nicht herunterfallen kann. Verwenden Sie ausschließlich geeignete Stative bzw. Befestigungen (im Besonderen bei Festinstallationen). Stellen Sie sicher, dass Zubehör ordnungsgemäß installiert und gesichert ist. Achten sie dabei darauf, dass geltende Sicherheitsbestimmungen eingehalten werden.



### WARNUNG:

1. Verwenden Sie das Gerät nur in der vorgesehenen Art und Weise.
2. Betreiben Sie das Gerät nur mit dem vom Hersteller empfohlenen und vorgesehenen Zubehör.
3. Beachten Sie bei der Installation die für Ihr Land geltenden Sicherheitsvorschriften.
4. Überprüfen Sie nach dem Anschluss des Geräts alle Kabelwege, um Schäden oder Unfälle, z. B. durch Stolperfallen zu vermeiden.
5. Beachten Sie unbedingt den angegebenen Mindestabstand zu normal entflammbar Materialien! Sofern dieser nicht explizit ausgewiesen ist, beträgt der Mindestabstand 0,3 m.

**VORSICHT:**

1. Bei beweglichen Bauteilen wie Montagebügeln, oder sonstigen beweglichen Bauteilen besteht die Möglichkeit sich zu klemmen.
2. Bei Geräten mit motorisch angetriebenen Bauteilen besteht Verletzungsgefahr durch die Bewegung des Gerätes. Plötzliche Gerätebewegungen können zu Schreckreaktionen führen.
3. Die Gehäuseoberfläche des Geräts kann sich im regulären Betrieb stark erwärmen. Stellen Sie sicher, dass ein versehentliches Berühren des Gehäuses ausgeschlossen ist. Lassen Sie das Gerät vor dem Abbau, vor Wartungsarbeiten und vor dem Aufladen etc. immer ausreichend abkühlen.

**ACHTUNG:**

1. Installieren und betreiben Sie das Gerät nicht in der Nähe von Heizkörpern, Wärmespeichern, Öfen oder sonstigen Wärmequellen. Sorgen Sie dafür, dass das Gerät immer so installiert ist, dass es ausreichend gekühlt wird und nicht überhitzen kann.
2. Platzieren Sie keine Zündquellen wie z.B. brennende Kerzen in der Nähe des Geräts.
3. Lüftungsöffnungen dürfen nicht abgedeckt und Lüfter nicht blockiert werden.
4. Nutzen Sie zum Transport die Originalverpackung oder vom Hersteller dafür vorgesehene Verpackungen.
5. Vermeiden Sie, dass Erschütterung oder Schläge auf das Gerät einwirken.
6. Beachten sie die IP-Schutzart, sowie die Umgebungsbedingungen wie Temperatur und Luftfeuchtigkeit entsprechend der Spezifizierung.
7. Geräte können stetig weiterentwickelt werden. Bei abweichenden Angaben zu Betriebsbedingungen, Leistung oder sonstigen Geräteeigenschaften zwischen Bedienungsanleitung und Gerätebeschriftung, hat immer die Angabe auf dem Gerät Priorität.
8. Das Gerät ist nicht für tropische Klimazonen und für den Betrieb oberhalb 2000 m über NN geeignet.
9. Sofern nicht explizit ausgewiesen, ist das Gerät nicht für den Betrieb unter Marinebedingungen geeignet.

**HINWEIS:**

Bei vom Hersteller vorgesehenen Um- oder Nachrüstsets bzw. Zubehör beachten Sie unbedingt die beiliegende Anleitung.

## VORSICHT! WICHTIGE HINWEISE IN BEZUG AUF LICHT-PRODUKTE!



1. Blicken Sie niemals, auch nicht kurzzeitig, direkt in die Lichtquelle.
2. Blicken Sie niemals mit optischen Geräten wie Vergrößerungsgläsern in die Lichtquelle.



3. Stroboskopeffekte können bei empfindlichen Menschen epileptische Anfälle auslösen!



4. In diesen Leuchten sind fest installierte Leuchtmittel verbaut, welche nicht durch den Benutzer zu tauschen sind. Die in dieser Leuchte enthaltene Lichtquelle darf nur vom Hersteller oder seinem Servicepartner oder einer ähnlich qualifizierten Person ausgetauscht werden.

## HINWEISE FÜR ORTSVERÄNDERLICHE INDOOR-GERÄTE



1. Temporärer Betrieb! Veranstaltungsequipment ist grundsätzlich nur für den vorübergehenden Betrieb konzipiert.
2. Dauerbetrieb oder dauerhafte Installation kann zur Beeinträchtigung der Funktion und vorzeitiger Alterung der Geräte führen.

## LIEFERUMFANG

Entnehmen Sie das Produkt aus der Verpackung und entfernen Sie sämtliches Verpackungsmaterial. Bitte überprüfen Sie die Vollständigkeit und Unversehrtheit der Lieferung und benachrichtigen Sie Ihren Vertriebspartner bitte unverzüglich nach dem Kauf, falls die Lieferung nicht komplett oder beschädigt ist.

Im Lieferumfang des Produkts sind enthalten:

- ▶ 1 x Cameo X3TW Scheinwerfer
- ▶ 1 x Netzkabel
- ▶ Bedienungsanleitung

## EINFÜHRUNG

LED PAR mit 15 x 15 W Warm White und 16 x 15 W Cold White LEDs  
CLX3TW

### STEUERUNGSFUNKTIONEN:

1 CH, 2 CH 16 Bit, 2 CH CCT, 2 CH Direct, 7 CH 16 Bit DMX-Steuerung

Master / Slave Betrieb

Standalone Funktion

### EIGENSCHAFTEN:

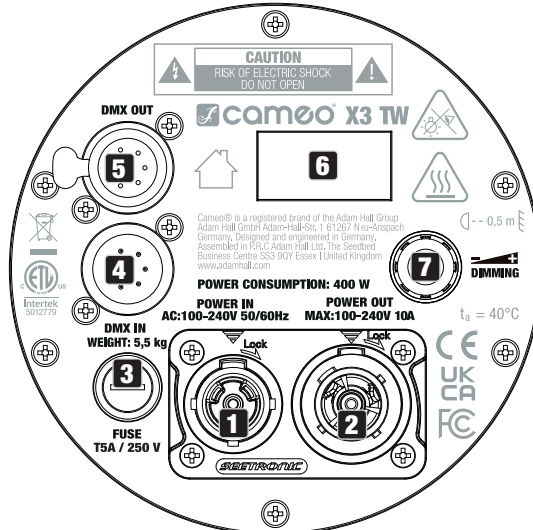
15 x 15 W Warm White und 16 x 15 W Cold White LEDs. DMX512. 5-Pol DMX-Anschlüsse. Quick-light via Dreh-Drück-Encoder. Betriebsspannung 100 - 240 V AC.

Der Scheinwerfer verfügt über den RDM-Standard (Remote Device Management). Diese Gerätefernverwaltung ermöglicht die Statusabfrage und Konfiguration von RDM-Endgeräten über einen RDM-fähigen Controller, wie den optional erhältlichen Cameo UNICON (Artikelnummer CLIREMOTE).

Das Cameo UNICON ermöglicht darüber hinaus den Zugriff auf das gesamte Scheinwerfermenü.



# ANSCHLÜSSE, BEDIEN- UND ANZEIGEELEMENTE



## 1 POWER IN

TRUE1 kompatible Netzeingangsbuchse. Betriebsspannung 100 - 240V AC / 50 - 60Hz. Ein geeignetes Netzkabel mit TRUE1 kompatibelem Gerätestecker befindet sich im Lieferumfang.

## 2 POWER OUT

TRUE1 kompatible Netzausgangsbuchse. Dient der Netzversorgung weiterer CAMEO Scheinwerfer. Achten Sie darauf, dass die gesamte Stromaufnahme aller angeschlossenen Geräte den auf dem Gerät in Ampere (A) angegebenen Wert nicht überschreitet.

## 3 FUSE

Sicherungshalter für 5 x 20mm Sicherungen. **WICHTIGER HINWEIS:** Ersetzen Sie die Sicherung ausschließlich durch eine Sicherung des gleichen Typs und mit gleichen Werten. Sollte die Sicherung wiederholt auslösen, wenden Sie sich bitte an ein autorisiertes Servicezentrum.

## 4 DMX IN

Männliche 5-Pol XLR-Buchse zum Anschließen eines DMX-Kontrollgeräts (z.B. DMX-Pult).

## 5 DMX OUT

Weibliche 5-Pol XLR-Buchse zum Weiterleiten des DMX-Steuersignals.

## **6 OLED-DISPLAY**

Das OLED-Display zeigt die aktuell aktivierte Betriebsart (Hauptanzeige), die Menüpunkte im Menü und den Zahlenwert bzw. Betriebszustand in den entsprechenden Menüpunkten an. Erfolgt innerhalb von circa 30 Sekunden keine Eingabe, wechselt die Anzeige im Display automatisch zur Hauptanzeige. Hinweis zur Hauptanzeige in den Betriebsarten mit externer Steuerung: Sobald das Steuersignal unterbrochen wird, beginnen die Zeichen im Display zu blinken, liegt das Steuersignal wieder an, stoppt das Blinken.

## **7 DREH-DRÜCK-ENCODER**

Mit dem Dreh-Drück-Encoder im Gerätemenü navigieren und den Scheinwerfer konfigurieren:

Hauptmenü öffnen: Encoder drücken

(Unter-)Menüpunkt auswählen: Encoder drehen

(Unter-)Menüpunkt öffnen: Encoder drücken

Wert bzw. Status ändern: Encoder drehen

Änderung bestätigen: Encoder drücken

Menüebene verlassen: Pfeilsymbol auswählen und bestätigen

## **SICHERUNGSÖSE**

Je eine Sicherungsöse zum Sichern des Scheinwerfers bei der Überkopfmontage befindet sich an der Ober- und Unterseite des Scheinwerfers.

## BEDIENUNG

### ANMERKUNGEN

- Sobald der Scheinwerfer korrekt am Stromnetz angeschlossen ist, wird während des Startvorgangs nacheinander „Update wait..“ (nur für Service-Zwecke), „Welcome to Cameo“, die Modellbezeichnung und die Softwareversion im Display angezeigt. Nach diesem Vorgang ist der Scheinwerfer betriebsbereit und die Betriebsart, die zuvor aktiviert war, wird gestartet.
- Die Hauptanzeige wird automatisch aktiviert, wenn innerhalb von circa 30 Sekunden keine Eingabe erfolgt.
- Ist eine der DMX-Betriebsarten aktiviert und es liegt kein DMX-Signal am DMX-Eingang an, beginnen die Zeichen im Display zu blinken. Durch Drehen des Encoders wird nun die Betriebsart Quicklight aktiviert und Sie können die Gesamthelligkeit von 000 bis 255 wunschgemäß einstellen (CW und WW jeweils auf Wert 255 voreingestellt).

Quicklight  
255

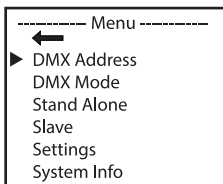
### DISPLAY HAUPTANZEIGE

Die Hauptanzeige zeigt die aktuell aktivierte Betriebsart (im Beispiel DMX-Betriebsart mit DMX-Startadresse 001).

DMX Address  
001

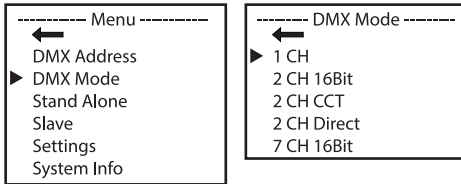
### DMX-STARTADRESSE EINSTELLEN (DMX Address)

Ausgehend von der Hauptanzeige gelangen Sie durch Drücken auf den Encoder in das Hauptmenü. Wählen Sie nun den Menüpunkt **DMX Address** aus und bestätigen. Stellen Sie die gewünschte DMX-Startadresse ein und bestätigen die Eingabe (höchster Wert abhängig von der aktuell eingestellten DMX-Betriebsart).



## DMX-BETRIEBSART EINSTELLEN (DMX Mode)

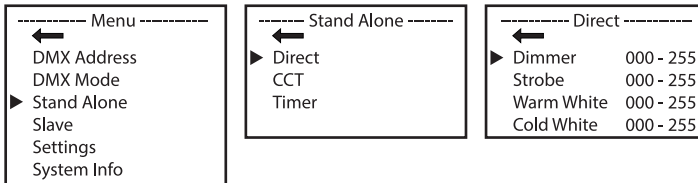
Ausgehend von der Hauptanzeige gelangen Sie durch Drücken auf den Encoder in das Hauptmenü. Wählen Sie nun den Menüpunkt **DMX Mode** aus und bestätigen. Wählen Sie die gewünschte DMX-Betriebsart aus und bestätigen die Auswahl. DMX-Tabellen mit den Kanalbelegungen finden Sie in dieser Anleitung unter DMX STEUERUNG.



## STAND-ALONE-BETRIEBSART DIRECT

Die Stand-Alone Betriebsart Direct ermöglicht es, ähnlich wie mit einem DMX-Steuergerät, Dimmer, Stroboskop (Strobe), Warm White und Cold White direkt am Gerät einzustellen. Somit kann eine individuelle Szene erstellt werden, ohne einen zusätzlichen DMX-Controller zu benötigen.

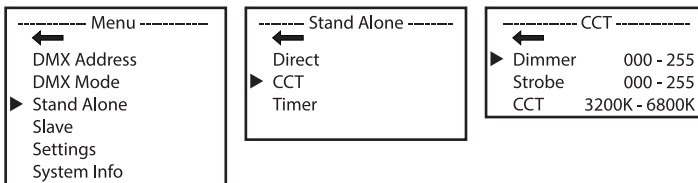
Ausgehend von der Hauptanzeige gelangen Sie durch Drücken auf den Encoder in das Hauptmenü. Wählen Sie nun den Menüpunkt **Stand Alone** aus, bestätigen, wählen dann **Direct** aus und bestätigen abermals. Wählen Sie den Menüpunkt aus, den Sie bearbeiten möchten und bestätigen. Stellen Sie den gewünschten Wert ein und bestätigen die Eingabe. Die Werte beim Stroboskop-Effekt entsprechen dabei den Werten im Kanal 3 der DMX-Tabelle 7 CH 16 Bit.



## STAND-ALONE-BETRIEBSART CCT (Correlated Colour Temperature)

Stellen Sie Dimmer, Stroboskop (Strobe) und Farbtemperatur nach Wunsch ein.

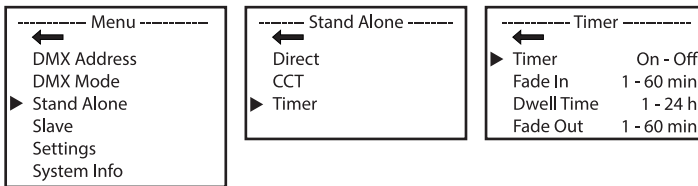
Ausgehend von der Hauptanzeige gelangen Sie durch Drücken auf den Encoder in das Hauptmenü. Wählen Sie nun den Menüpunkt **Stand Alone** aus, bestätigen, wählen dann **CCT** aus und bestätigen abermals. Wählen Sie den Menüpunkt aus, den Sie bearbeiten möchten und bestätigen. Stellen Sie den gewünschten Wert ein und bestätigen die Eingabe. Die Werte beim Stroboskop-Effekt entsprechen dabei den Werten im Kanal 3 der DMX-Tabelle 7 CH 16 Bit.



## TIMER-FUNKTION

Die Timer-Funktion ermöglicht die zeitgesteuerte Kontrolle der Stand-Alone-Betriebsarten **Direct** und **CCT** in der Art, dass die Einblendzeit (Fade In) von 1 bis 60 Minuten, die Haltezeit (Dwell Time) von 1 bis 24 Stunden und die Ausblendzeit (Fade Out) von 1 bis 60 Minuten eingestellt werden kann. Die Zeitsteuerung startet direkt nach dem Aktivieren der Timer-Funktion in der zuvor aktivierten Stand-Alone-Betriebsart und bleibt auch erhalten, wenn der Scheinwerfer ausgeschaltet und wieder neu gestartet wird.

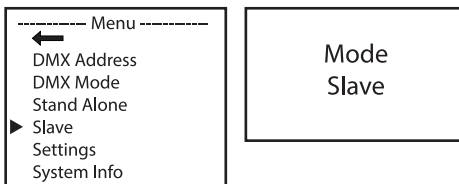
Ausgehend von der Hauptanzeige gelangen Sie durch Drücken auf den Encoder in das Hauptmenü. Wählen Sie den Menüpunkt **Stand Alone** aus, bestätigen, wählen dann **Timer** aus und bestätigen abermals. Wählen Sie nun für die individuellen Einstellungen **Fade In**, **Dwell Time** bzw. **Fade Out** aus und bestätigen. Im Display wird jeweils ein Ziffernfeld angezeigt und Sie können durch Drehen des Encoders den Wert nach Wunsch von 1 bis 60 bzw. 1 bis 24 einstellen. Bestätigen Sie wiederum. Sind alle Einstellungen wunschgemäß erfolgt, aktivieren Sie die Timer-Funktion, indem Sie den Untermenüpunkt **Timer On/Off** auswählen, bestätigen, **On** anwählen und wiederum bestätigen (zum Deaktivieren der Timer-Funktion bitte **Off** anwählen und bestätigen).



Hinweis: Die Timer-Funktion ist für den Einsatz im Master/Slave-Betrieb via Kabel geeignet.

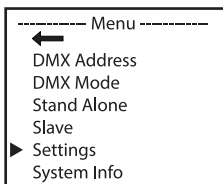
## SLAVE-BETRIEB

Ausgehend von der Hauptanzeige gelangen Sie durch Drücken auf den Encoder in das Hauptmenü. Wählen Sie den Menüpunkt **Slave** aus und bestätigen die Auswahl. Verbinden Sie die Slave- und die Master-Einheit (gleiches Modell, gleicher Softwarestand) mit Hilfe eines DMX-Kabels und aktivieren Sie in der Master-Einheit eine der Stand-Alone Betriebsarten (Direct, CCT). Nun folgt die Slave-Einheit exakt der Master-Einheit.



## SYSTEMEINSTELLUNGEN (Settings)

Ausgehend von der Hauptanzeige gelangen Sie durch Drücken auf den Encoder in das Hauptmenü. Wählen Sie den Menüpunkt **Settings** aus und bestätigen die Auswahl.



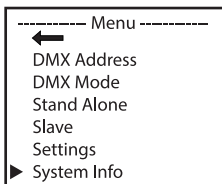
Daraufhin gelangen Sie in das Untermenü zum Einstellen der Untermenüpunkte (siehe Tabelle, Auswahl durch Drehen des Encoders, bestätigen durch Drücken, Wert bzw. Status ändern durch Drehen, bestätigen durch Drücken)

Settings				
Display Reverse	=	Display-Anzeige drehen	OFF	Keine Drehung der Display-Anzeige
			ON	Drehung der Display-Anzeige um 180° (z.B. Kopfübermontage)
Display Off Timer	=	Display-Beleuchtung	Off after 20s	Deaktivierung nach ca. 20 Sekunden Inaktivität
			Always On	Permanent an
DMX Fail	=	Betriebszustand bei DMX-Signal-Unterbrechung	Hold	letzter Befehl wird gehalten
			Blackout	aktiviert Blackout
			Full	Full On = maximale Helligkeit
			Stand Alone	Stand Alone Modus Direct wird aktiviert
Dimmer Curve	=	Dimmerkurve	Linear	Die Lichtintensität steigt linear mit dem DMX-Wert an
			Exponential	Die Lichtintensität lässt sich im unteren DMX-Wertbereich fein und im oberen DMX-Wertbereich grob einstellen
			Logarithmic	Die Lichtintensität lässt sich im unteren DMX-Wertbereich grob und im oberen DMX-Wertbereich fein einstellen
			S-Curve	Die Lichtintensität lässt sich im unteren und oberen DMX-Wertbereich fein und im mittleren DMX-Wertbereich grob einstellen
Dimmer Response	=	Dimmverhalten	LED	Der Strahler reagiert abrupt auf Änderungen des DMX-Werts
			Halogen	Der Strahler verhält sich ähnlich einem Halogenstrahler mit sanften Helligkeitsänderungen

PWM Frequency	=	LED PWM Frequenz	650Hz, 1530Hz, 3600Hz, 12000Hz, 18900Hz, 25000Hz	Auswählen der LED PWM Frequenz
Fan	=	Lüftersteuerung	Auto	Automatische Regelung der Lüfterleistung
			Off	Deaktivierter Lüfter bei stark reduzierter Helligkeit
			Constant High	Konstant hohe Lüftergeschwindigkeit
			Constant Medium	Konstant mittlere Lüftergeschwindigkeit bei reduzierter Helligkeit, falls notwendig
			Constant Low	Konstant niedrige Lüftergeschwindigkeit bei reduzierter Helligkeit, falls notwendig
Calibration	=	Kalibrierung der Daylight LEDs	LED	Individuelle Kalibrierung der Daylight LEDs zum Angleichen der Helligkeit an andere Scheinwerfer. Betriebsartübergreifende Helligkeitseinstellung mit Werten von 000 - 255
Factory Reset	=	Zurücksetzen auf Werkseinstellungen	Reset Now? Yes / No	Zurücksetzen mit Yes, abrechnen mit No
Service Timer Reset	=	Zurücksetzen des Service Timers	Reset Now? Yes / No	Zurücksetzen mit Yes, abrechnen mit No

## SYSTEMINFORMATIONEN (System Info)

Ausgehend von der Hauptanzeige gelangen Sie durch Drücken auf den Encoder in das Hauptmenü. Wählen Sie den Menüpunkt System Info aus und bestätigen die Auswahl.



Daraufhin gelangen Sie in das Untermenü zum Aufrufen der Systeminformationen (siehe Tabelle).

**System Info**

Firmware	=	Anzeige der Geräte-Firmware	Main CPU V1.xx	
Temperature	=	Temperaturanzeige der LED-Einheit	Temperature	LED xx°C / xx°F
			Temperature Unit	°C (= Anzeige in Grad Celsius) °F (= Anzeige in Grad Fahrenheit)
Operation Hours	=	Betriebszeitanzeige	Unit Operation Time xx:xxh	Anzeige der Gerätebetriebszeit in Stunden und Minuten
			LED Operation Time xx:xxh	Anzeige der LED-Betriebszeit in Stunden und Minuten
			Service Time	Anzeige der Gerätebetriebszeit seit dem letzten Zurücksetzen des Service Timers in Stunden und Minuten



## MONTAGE

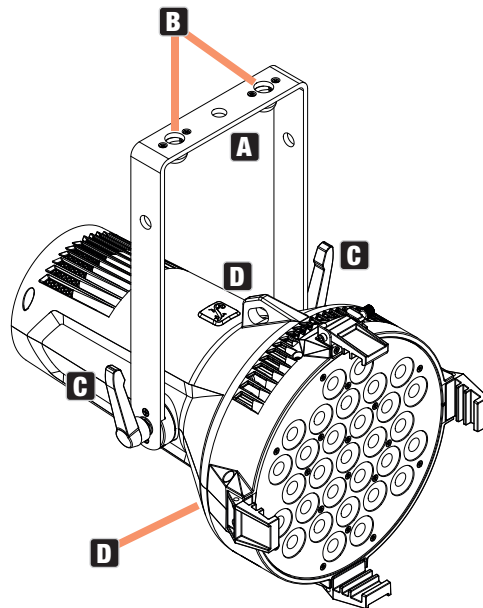


**GEFAHR** : Überkopfmontage erfordert umfassende Erfahrung, einschließlich der Berechnung der Grenzwerte für die Arbeitslast, des verwendeten Installationsmaterials und der regelmäßigen Sicherheitsüberprüfung aller Installationsmaterialien und Scheinwerfer. Wenn Sie diese Qualifikationen nicht haben, versuchen Sie nicht, eine Installation selbst durchzuführen, sondern nutzen Sie die Hilfe von professionellen Unternehmen. Es besteht die Gefahr, dass sich nicht korrekt montierte und gesicherte Geräte lösen und herabfallen. Dadurch können Personen schwer verletzt oder getötet werden.

Montieren Sie eine geeignete Traversenklemme direkt am U-Bügel (Abb. A). Ein optional erhältlicher Omega-Bügel kann ebenso am U-Bügel befestigt werden (Abb. B). Die Montage an einer Traverse erfolgt mit Hilfe einer Traversenklemme. Geeignete Traversenklemmen sind optional erhältlich.

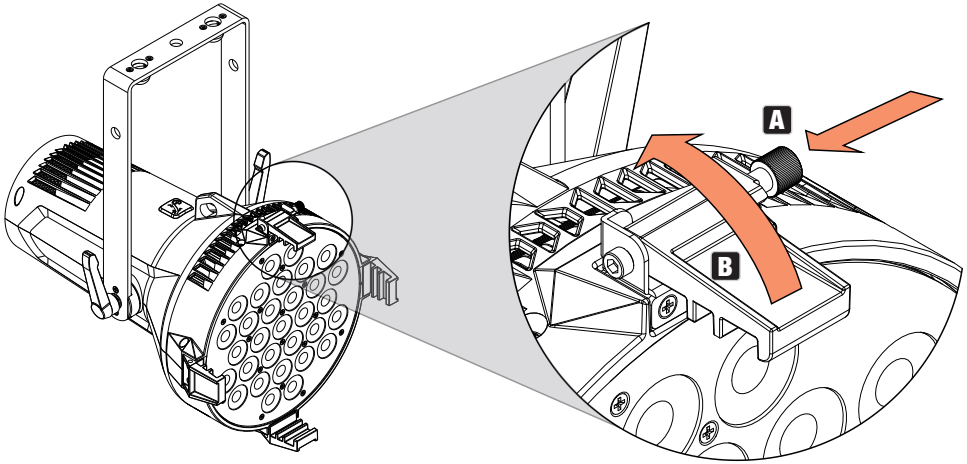
Lösen Sie die beiden Klemmhebel an den Seiten des Scheinwerfers (Abb. C), um die Abstrahlrichtung auf vertikaler Ebene einzustellen und ziehen die beiden Klemmhebel nach dem Einstellen wieder fest.

Sorgen Sie stets für feste Verbindungen und sichern Sie den Scheinwerfer mit einem geeigneten Sicherungsseil, je nach Situation, an der Sicherungsöse auf der Oberseite oder der Unterseite des Scheinwerfers (Abb. D).



## STREUSCHEIBE BZW. FLÜGELBEGRENZER MONTIEREN

Zum Montieren einer optional erhältlichen Streuscheibe (bzw. Flügelbegrenzer) drücken Sie auf den gefederten Sicherungsstift auf der Oberseite des Scheinwerfers (Abb. A). Die Halterung klappt nun automatisch nach oben (Abb. B). Schieben Sie die Streuscheibe (bzw. Flügelbegrenzer) von oben in die Nuten der seitlichen und unteren Halterungen.



Klappen Sie nun die gefederte Halterung auf der Oberseite des Scheinwerfers wieder nach unten und achten dabei darauf, dass der Sicherungsstift korrekt einrastet.

## OPTIONALES ZUBEHÖR

**4-fach Flügelbegrenzer**  
CLX3BARNDOR



**Streuscheiben**  
CLX31060LENS (10° x 60°)  
CLX320LENS (20°)  
CLX350LENS (50°)  
CLX380LENS (80°)



**Omega-Bügel**  
CLOMEGABRACKET1



- Abbildungen ähnlich -

## PFLEGE, WARTUNG UND REPARATUR

Um die einwandfreie Funktion des Geräts auf Dauer zu gewährleisten, muss es regelmäßig gepflegt und bei Bedarf gewartet werden. Der Pflege- bzw. Wartungsbedarf steht in Abhängigkeit der Nutzungsintensität und -umgebung.

Wir empfehlen generell eine Sichtprüfung vor jeder Inbetriebnahme. Weiterhin empfehlen wir alle 500 Betriebsstunden, oder bei geringerer Nutzungsintensität spätestens nach Ablauf eines Jahres alle unten genannten und zutreffenden Pflegemaßnahmen durchzuführen. Bei Mängeln, die auf eine unzureichende Pflege zurückzuführen sind, kann es zu Einschränkungen der Garantieansprüche kommen.

### PFLEGE (vom Anwender durchführbar)



**WARNUNG!** Vor jeglichen Pflegemaßnahmen müssen die Spannungsversorgung und sofern möglich sämtliche Geräteverbindungen getrennt werden.



**HINWEIS!** Unsachgemäße Pflege kann zu Beeinträchtigung des Gerätes führen bis hin zur Zerstörung.

1. Gehäuseoberflächen müssen mit einem sauberen, feuchten Tuch gereinigt werden. Dabei ist darauf zu achten, dass keine Feuchtigkeit in das Gerät eindringen kann.
2. Luft Ein- und Austrittsöffnungen müssen regelmäßig von Staub und Schmutz befreit werden. Im Fall des Einsatzes von Druckluft ist darauf zu achten, dass Beschädigungen am Gerät verhindert werden (z.B. müssen Lüfter für diesen Fall blockiert werden).
3. Leitungen und Steckkontakte sind regelmäßig zu reinigen und von Staub und Schmutz zu befreien.
4. Es dürfen generell keine Reinigungsmittel oder Mittel mit schleifender Wirkung zur Pflege verwendet werden, andernfalls ist mit Beeinträchtigung der Oberflächenbeschaffenheit zu rechnen.
5. Geräte sind generell trocken zu lagern und vor Staub und Verschmutzung zu schützen.

### WARTUNG UND REPARATUR (nur durch Fachpersonal)



**GEFAHR!** Im Gerät befinden sich Spannungsführende Bauteile. Auch nach Trennung der Netzverbindung kann noch Restspannung im Gerät vorhanden sein, z.B. durch geladene Kondensatoren.



**HINWEIS!** Im Gerät befinden sich keine für den Anwender zu wartenden Baugruppen.



**HINWEIS!** Wartungs- und Reparaturmaßnahmen dürfen nur vom Hersteller autorisiertem Fachpersonal durchgeführt werden. Im Zweifel wenden Sie sich an den Hersteller.



**HINWEIS!** Unsachgemäß ausgeführte Wartungsarbeiten können den Gewährleistungsanspruch beeinträchtigen.

# ABMESSUNGEN (mm)

ENGLISH

DEUTSCH

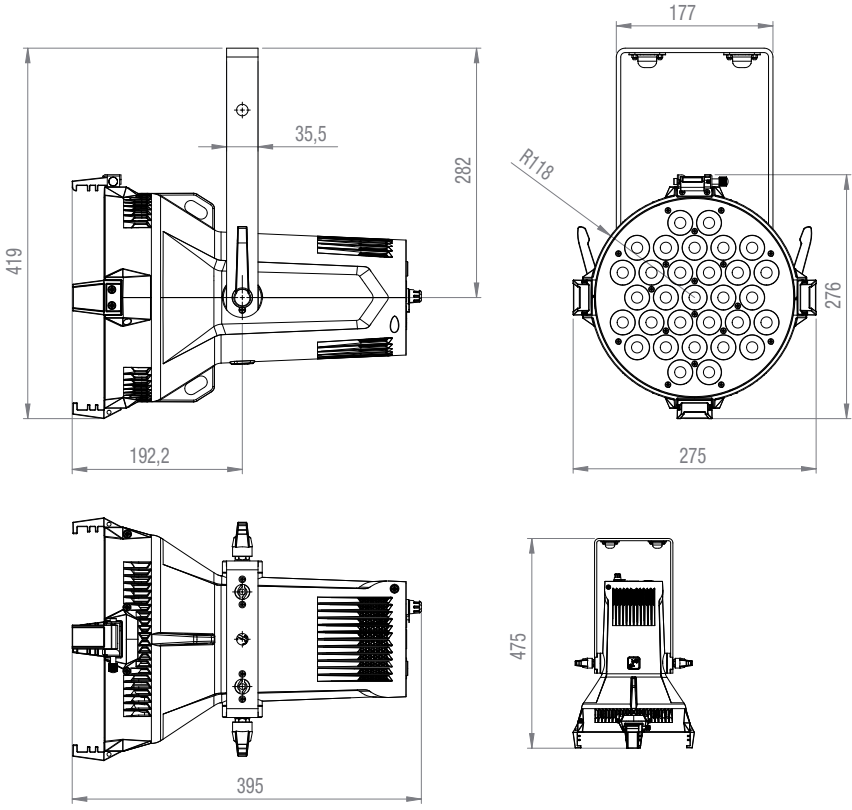
FRANCAIS

ESPAÑOL

POLSKI

ITALIANO

DMX

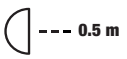


## TECHNISCHE DATEN


<b>Artikelnummer:</b>	<b>CLX3TW</b>
Produktart:	LED-Scheinwerfer
Typ:	Messelampe
Farbspektrum:	Tunable White
LED Anzahl:	16 x CW + 15 x WW
LED Typ:	15 W
LED PWM Frequenz:	650 Hz; 1530 Hz; 3600 Hz; 12 kHz; 18,9 kHz; 25 kHz (einstellbar)
Halbstreuwinkel (Zehntelstreuwinkel)	8° (16,5°)
Steuersignal-Eingang:	5-Pol XLR male
Steuersignal-Ausgang:	5-Pol XLR female
DMX Funktionen:	Dimmer, Stroboskop, Warmweiß, Kaltweiß, CCT, Geräteeinstellung
Steuerungsprotokolle:	DMX512, RDM
Standalone Funktionen:	Direct, CCT, Timer
Display:	OLED
Bedienelemente:	Dreh-Drück-Encoder
Betriebsspannung:	100 - 240 V AC / 50 - 60 Hz
Leistungsaufnahme:	400 W
Power Out:	max. 10 A
Beleuchtungsstärke @ 3m	50000 lx
Farbtemperatur:	3200K - 6800K
Lichtstrom:	Full On: 21000 lm WW: 9700 lm CW: 12000 lm
CRI:	>83
Stromversorgungsanschluss:	TRUE1 kompatible Buchsen (IN + OUT)
IP Schutzart	IP20
Umgebungstemperatur (in Betrieb):	0°C - 40°C
Mindestabstand zur beleuchteten Fläche:	0,5 m
Mindestabstand zu normal entflammaren Materialien:	0,5 m
Gehäusefarbe:	schwarz
Gehäusematerial:	Magnesium Alloy
Gehäusekühlung:	Temperaturgesteuerter Lüfter
Abmessungen (B x H x T, ohne Montagebügel):	275 x 276 x 395 mm
Gewicht:	5,5 kg

Zubehör inklusive:	1x Netzkabel
Zubehör optional:	Streuscheibe 20°, 50°, 80°, 60° x 10°; Omega Bracket; Barndoor

## MINDESTABSTAND ZUR BELEUCHTETEN FLÄCHE

 Dieses Symbol mit Entfernungsangabe in Metern (m) gibt den Mindestabstand des Leuchtkörpers zur beleuchteten Fläche an. In diesem Beispiel beträgt der Abstand 0,5 m. Den für dieses Gerät gültigen Wert entnehmen Sie bitte den technischen Daten in dieser Anleitung und dem Aufdruck auf dem Gerätegehäuse!

## MINDESTABSTAND ZU NORMAL ENTLAMMBAREN MATERIALIEN

 Dieses Symbol mit Entfernungsangabe in Metern (m) gibt den Mindestabstand des Geräts zu normal entflammaren Materialien an. In diesem Beispiel beträgt der Abstand 0,5 m. Den für dieses Gerät gültigen Wert entnehmen Sie bitte den technischen Daten in dieser Anleitung!

## ENTSORGUNG



### VERPACKUNG:

1. Verpackungen können über die üblichen Entsorgungswege dem Wertstoffkreislauf zugeführt werden.
2. Bitte trennen Sie die Verpackung entsprechend der Entsorgungsgesetze und Wertstoffverordnungen in Ihrem Land.



### GERÄT:

1. Dieses Gerät unterliegt der europäischen Richtlinie für Elektro- und Elektronik-Altgeräte in der jeweils geltenden aktuellen Fassung. WEEE-Richtlinie Waste Electrical and Electronical Equipment. Altgeräte gehören nicht in den Hausmüll. Das Altgerät muss über einen zugelassenen Entsorgungsbetrieb oder eine kommunale Entsorgungseinrichtung entsorgt werden. Bitte beachten Sie geltende Vorschriften in Ihrem Land!
2. Beachten Sie alle in Ihrem Land geltenden Entsorgungsgesetze.
3. Als Privatkunde erhalten Sie Informationen zu umweltfreundlichen Entsorgungsmöglichkeiten über den Händler, bei dem das Produkt erworben wurde, oder über die entsprechenden regionalen Behörden.

## HERSTELLERERKLÄRUNGEN

### Herstellergarantie & Haftungsbeschränkung

Adam Hall GmbH, Adam-Hall-Str. 1, D-61267 Neu Anspach

E-Mail [Info@adamhall.com](mailto:Info@adamhall.com) / +49 (0)6081 / 9419-0.

Unsere aktuellen Garantiebedingungen und Haftungsbeschränkung finden Sie unter:

[https://cdn-shop.adamhall.com/media/pdf/Manufacturers-Declarations-CAMEO\\_DE\\_EN\\_ES\\_FR.pdf](https://cdn-shop.adamhall.com/media/pdf/Manufacturers-Declarations-CAMEO_DE_EN_ES_FR.pdf)

Im Servicefall wenden Sie sich an Ihren Vertriebspartner.

### CE-Konformität

Hiermit erklärt die Adam Hall GmbH, dass dieses Produkt folgender Richtlinie entspricht (soweit zutreffend):

Niederspannungsrichtlinie (2014/35/EU)

EMV-Richtlinie (2014/30/EU)

RoHS (2011/65/EU)

RED (2014/53/EU)

### CE-Konformitätserklärung

Konformitätserklärungen für Produkte, die der LVD, EMC, RoHS-Richtlinie unterliegen, können unter [info@adamhall.com](mailto:info@adamhall.com) angefragt werden.

Konformitätserklärungen für Produkte, die der RED-Richtlinie unterliegen, können unter [www.adamhall.com/compliance/](http://www.adamhall.com/compliance/) heruntergeladen werden.

**Druckfehler und Irrtümer, sowie technische oder sonstige Änderungen sind vorbehalten!**

## **VOUS AVEZ FAIT LE BON CHOIX !**

Cet appareil a été conçu et produit suivant des exigences de qualité très strictes pour fonctionner pendant de nombreuses années. Veuillez lire attentivement ce manuel d'utilisation pour pouvoir utiliser rapidement et de manière optimale votre nouveau produit Cameo Light. Vous trouverez de plus amples informations sur Cameo Light sur notre site Web **CAMEOLIGHT.COM**.

## **INFORMATIONS CONCERNANT CE MANUEL D'UTILISATION**

- Lisez attentivement les consignes de sécurité et l'ensemble du manuel avant la mise en service.
- Respectez les avertissements figurant sur l'appareil et dans le manuel d'utilisation.
- Conservez toujours le manuel d'utilisation à portée de main.
- Si vous vendez ou transmettez l'appareil, remettez également impérativement ce manuel d'utilisation, celui-ci constituant un élément essentiel du produit.

## **UTILISATION CONFORME**

Ce produit est un appareil dédié à la technique événementielle !

Il a été conçu pour un usage professionnel dans le domaine de la technique événementielle et ne convient pas à une utilisation domestique !

De plus, ce produit est destiné uniquement aux utilisateurs qualifiés possédant des connaissances spécialisées en matière de technique événementielle !

L'utilisation du produit en dehors des caractéristiques techniques et des conditions de fonctionnement spécifiées est considérée comme non conforme !

Toute responsabilité pour des dommages corporels et matériels dus à une utilisation non conforme est exclue !

Le produit n'est pas adapté :

- aux personnes (y compris les enfants) ayant des capacités physiques, sensorielles ou intellectuelles limitées ou un manque d'expérience et de connaissances ;
- aux enfants (Il doit être interdit aux enfants de jouer avec l'appareil).

## **EXPLICATIONS DES TERMES ET DES SYMBOLES**

1. **DANGER** : La mention DANGER, éventuellement associée à un symbole, signale des situations ou circonstances de danger immédiat menaçant la vie ou l'intégrité corporelle.
2. **AVERTISSEMENT** : La mention AVERTISSEMENT, éventuellement associée à un symbole, signale des situations ou circonstances de danger potentiel menaçant la vie ou l'intégrité corporelle.
3. **ATTENTION** : Le mot ATTENTION, éventuellement accompagné d'un symbole, est utilisé pour attirer l'attention sur des situations ou des conditions susceptibles de provoquer des blessures.
4. **ATTENTION** : Le mot ATTENTION, éventuellement associé à un symbole, signale des situations ou circonstances pouvant entraîner des dommages matériels et/ou environnementaux.





Ce symbole indique un danger susceptible de provoquer une décharge électrique.



Ce symbole indique une zone ou une situation dangereuse.



Ce symbole indique des dangers liés à des surfaces chaudes.



Ce symbole signale des dangers liés à des sources lumineuses intenses.



Ce symbole indique que l'appareil ne contient aucune pièce remplaçable par l'utilisateur.



Ce symbole indique des informations complémentaires sur l'utilisation du produit.

## CONSIGNES DE SÉCURITÉ



### **DANGER :**

1. N'ouvrez pas l'appareil et n'y apportez pas de modifications.
2. Si l'appareil ne fonctionne plus en bonne et due forme, si des liquides ou des objets se sont infiltrés dans l'appareil ou si ce dernier est endommagé de quelque autre manière que ce soit, l'éteindre et le débrancher aussitôt de l'alimentation électrique. Seuls des professionnels agréés sont habilités à réparer cet appareil.
3. Pour les appareils de classe de protection 1, le conducteur de protection doit être correctement raccordé. Ne désactivez jamais le conducteur de protection. Les appareils de classe de protection 2 ne sont équipés d'aucun conducteur de protection.
4. Veiller à ce que les câbles sous tension ne soient pas pliés ou soumis à d'autres dommages mécaniques.
5. Ne court-circuitez jamais le fusible de l'appareil.



### **AVERTISSEMENT :**

1. L'appareil ne doit pas être mis en service s'il présente des dommages apparents.
2. L'appareil ne doit être installé que lorsqu'il est hors tension.
3. Si le câble secteur de l'appareil est endommagé, l'appareil ne doit pas être mis en service.
4. Les câbles secteur captifs ne doivent être remplacés que par une personne qualifiée.



### ATTENTION :

1. Ne mettez pas immédiatement l'appareil en service s'il a été exposé à d'importantes variations de température (par exemple après le transport). L'humidité et la condensation risquent d'endommager l'appareil. N'allumer l'appareil que lorsqu'il est à température ambiante.
2. S'assurer que la tension et la fréquence du réseau électrique correspondent aux valeurs indiquées sur l'appareil. Si l'appareil est équipé d'un sélecteur de tension, branchez-le uniquement si celui-ci est correctement réglé. Utiliser exclusivement des câbles secteur appropriés.
3. Pour déconnecter complètement l'appareil du réseau, il ne suffit pas d'appuyer sur l'interrupteur marche/arrêt de l'appareil.
4. S'assurer que le fusible installé correspond au type imprimé sur l'appareil.
5. S'assurer que des mesures appropriées ont été prises contre les surtensions (p. ex. par la foudre).
6. Respectez l'intensité de sortie maximale indiquée sur les appareils munis d'une prise Power Out (renvoi secteur). Notez que l'intensité totale absorbée par tous les appareils raccordés ne doit pas dépasser la valeur indiquée.
7. Remplacez les câbles secteur enfichables uniquement par des câbles d'origine.



### DANGER :

1. Risque d'étouffement ! Les sachets en plastique et les petites pièces doivent être conservés hors de portée des personnes (y compris les enfants) ayant des capacités physiques, sensorielles ou intellectuelles limitées.
2. Danger de chute ! Assurez-vous que l'appareil est solidement installé et qu'il ne risque pas de chuter. Utiliser exclusivement des pieds ou fixations appropriés (en particulier pour les installations fixes). S'assurer que les accessoires sont correctement installés et fixés. Veillez à respecter les consignes de sécurité en vigueur.



### AVERTISSEMENT :

1. Utilisez uniquement cet appareil conformément à l'usage prévu.
2. Utilisez uniquement cet appareil avec les accessoires recommandés et prévus par le fabricant.
3. Lors de l'installation, veillez à respecter les prescriptions de sécurité en vigueur dans votre pays.
4. Après avoir raccordé l'appareil, vérifiez tous les chemins de câbles pour éviter tout dommage ou accident par trébuchement, par exemple.
5. Respecter impérativement la distance minimale indiquée avec des matériaux normalement inflammables ! Sauf indication explicite, la distance minimale est de 0,3 m.



### PRUDENCE :

1. Il existe un risque de coincement du câble dans des pièces mobiles telles que des étriers de montage ou d'autres pièces mobiles.
2. Pour les appareils équipés de composants entraînés par moteur, il existe un risque de blessure dû aux mouvements de l'appareil. Des mouvements soudains de l'appareil peuvent provoquer des réactions brutales.



3. La surface du boîtier de l'appareil peut être portée à une température élevée lors d'un fonctionnement normal. Assurez-vous d'éviter tout contact accidentel avec le boîtier. Laissez toujours l'appareil refroidir suffisamment avant le démontage, les travaux de maintenance, les manipulations, etc.



### ATTENTION :

1. N'installez et n'utilisez pas cet appareil à proximité de radiateurs, d'accumulateurs thermiques, de fours ou d'autres sources de chaleur. Veillez à assurer en permanence un refroidissement suffisant de l'appareil, de façon à éviter toute surchauffe.
2. Ne pas placer de sources d'ignition à proximité de l'appareil, telles que des bougies allumées.
3. Les orifices de ventilation ne doivent pas être recouverts et les ventilateurs ne doivent pas être bloqués.
4. Pour le transport, utiliser l'emballage d'origine ou les emballages prévus à cet effet par le fabricant.
5. Éviter de secouer ou de heurter l'appareil.
6. Respecter l'indice de protection IP ainsi que les conditions ambiantes telles que la température et l'humidité conformément aux spécifications.
7. Les appareils sont susceptibles d'améliorations en permanence. En cas de divergence des conditions de fonctionnement, des performances ou d'autres caractéristiques de l'appareil entre le mode d'emploi et l'étiquette de l'appareil, l'indication sur l'appareil est toujours prioritaire.
8. L'appareil ne doit pas être utilisé dans des zones climatiques tropicales ni à des altitudes supérieures à 2 000 m au-dessus du niveau de la mer.
9. Sauf indication contraire, l'appareil n'est pas adapté à une utilisation dans un environnement maritime.



### REMARQUE :

Pour les kits de transformation/de postéquipement ou les accessoires prévus par le fabricant, respecter impérativement la notice jointe.

## ATTENTION ! REMARQUES IMPORTANTES CONCERNANT LES SYSTÈMES D'ÉCLAIRAGE !



1. Ne jamais regarder directement le faisceau lumineux, même pour une courte durée.
2. Ne jamais regarder le faisceau lumineux avec des instruments optiques tels que des verres grossissants.



3. Les effets stroboscopiques sont susceptibles de déclencher des réactions épileptiques chez les personnes sensibles !



4. Ces projecteurs intègrent des sources lumineuses fixes qui ne doivent pas être remplacées par l'utilisateur. La source lumineuse contenue dans ce projecteur ne doit être remplacée que par le fabricant, l'un de ses partenaires de service ou toute autre personne ayant les qualifications requises.

## REMARQUES CONCERNANT LES APPAREILS D'INTÉRIEUR MOBILES



1. Fonctionnement temporaire ! L'équipement événementiel est conçu uniquement pour une utilisation temporaire.
2. Le fonctionnement continu ou l'installation permanente peut altérer le fonctionnement et entraîner le vieillissement prématuré des appareils.

## CONTENU DE LA LIVRAISON

Retirer le produit de son emballage ainsi que tous les matériaux d'emballage.

S'assurer que la livraison est complète et de l'absence de dommage ; dans le cas contraire, informer votre partenaire commercial aussitôt après l'achat.

Contenu de la livraison :

- ▶ 1 x projecteur Cameo X3TW
- ▶ 1 x câble d'alimentation
- ▶ Manuel d'utilisation

## INTRODUCTION

LED PAR avec 15 x LED blanc chaud 15 W et 16 x LED 15 W blanc froid  
CLX3TW

### FONCTIONS DE PILOTAGE :

Contrôle DMX 1 CH, 2 CH 16 bits, 2 CH CCT, 2 CH Direct, 7 CH 16 bits

Mode Master/Slave (maître/esclave)

Fonction Standalone (mode autonome)

### CARACTÉRISTIQUES :

15 x LED blanc chaud de 15 W et 16 x LED blanc froid de 15 W. DMX512. Connecteurs DMX 5 points. Mode Quicklight via encodeur rotatif à bouton-poussoir. Tension de fonctionnement : 100-240 V, 50/60 Hz.

Le projecteur est équipé de la technologie standard RDM (Remote Device Management). Cette gestion à distance des appareils permet de consulter l'état et de configurer des terminaux RDM via un contrôleur compatible RDM, comme le Cameo UNICON, disponible en option (référence CLIREMOTE).

Le Cameo UNICON permet en outre d'accéder à l'ensemble du menu des projecteurs.

# CONNECTEURS, COMMANDES ET INDICATEURS/AFFICHEURS

ENGLISH

DEUTSCH

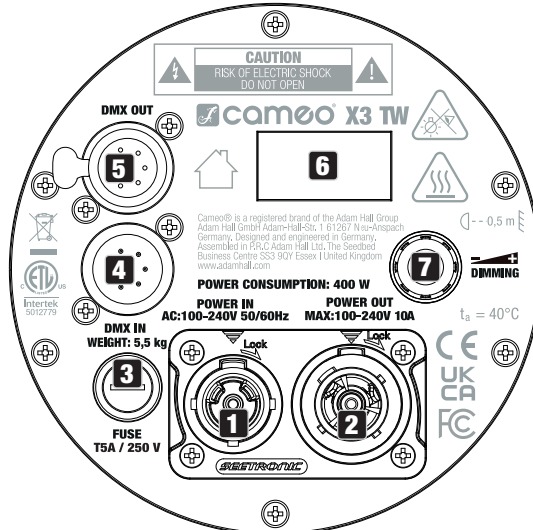
FRANCAIS

ESPAÑOL

POLSKI

ITALIANO

DMX



## 1 POWER IN (Entrée D'alimentation)

Embase compatible TRUE1. Tension de fonctionnement 100 - 240 V / 50 - 60 Hz. L'appareil est livré avec un câble secteur approprié, muni d'une fiche compatible TRUE1.

## 2 POWER OUT (Renvoi Secteur)

Embase compatible TRUE1. Permet d'alimenter d'autres projecteurs CAMEO. Veiller à ce que l'intensité totale consommée par tous les appareils connectés ne dépasse pas la valeur en ampères (A) indiquée sur l'appareil.

## 3 FUSE (Fusible)

Porte-fusible pour fusibles de 5 x 20 mm. REMARQUE IMPORTANTE : Remplacez le fusible uniquement par un fusible de même type et de mêmes valeurs. Si le fusible saute de façon récurrente, contacter un centre de réparation agréé.

## 4 DMX IN (Entrée DMX)

Connecteur XLR mâle 5 points pour le raccordement d'un contrôleur DMX (par ex. console DMX).

## 5 DMX OUT (Sortie DMX)

Connecteur XLR femelle 5 points pour le renvoi du signal de commande DMX.

## **6 ÉCRAN OLED**

L'écran OLED affiche le mode de fonctionnement en cours (affichage principal), les options disponibles dans les menus et les valeurs numériques ou l'état de fonctionnement dans les options de menu correspondantes. Au bout d'environ 30 secondes d'inactivité, l'écran repasse automatiquement à la page principale. Remarque concernant l'affichage principal dans les modes de fonctionnement avec contrôle externe : dès que le signal de contrôle est interrompu, les caractères commencent à clignoter sur l'écran. Ce clignotement cesse dès le retour du signal de contrôle.

## **7 ENCODEUR ROTATIF À BOUTON-POUSOIR**

Sert à naviguer dans le menu de l'appareil à l'aide de l'encodeur rotatif-poussoir et à configurer le projecteur :

Pour ouvrir le menu principal : appuyez sur l'encodeur

Pour sélectionner un (sous-)point de menu : tournez l'encodeur

Pour ouvrir le (sous-)point de menu ainsi sélectionné : appuyez sur l'encodeur

Pour modifier la valeur ou l'état : tournez l'encodeur

Pour confirmer la modification : Appuyez sur le codeur

Pour quitter le niveau de menu : sélectionnez le symbole de la flèche et confirmez

## **ANNEAU DE SÉCURITÉ**

Un anneau de sécurité pour sécuriser le projecteur en cas de montage en hauteur se trouve sur la partie supérieure et inférieure du projecteur.

## UTILISATION

### REMARQUES

- Dès que le projecteur est correctement raccordé à l'alimentation secteur, le message « Update wait... » (uniquement à des fins de maintenance), un message de bienvenue (« Welcome to Cameo »), la désignation du modèle et la version du logiciel s'affichent successivement à l'écran pendant la phase de démarrage. Le projecteur est ensuite opérationnel, dans le mode de fonctionnement où il se trouvait lors de son extinction.
- Si aucune saisie n'est effectuée dans les 30 secondes environ, l'affichage retourne à l'écran principal.
- Si l'un des modes de fonctionnement DMX est activé et qu'aucun signal DMX n'est présent à l'entrée DMX, les caractères de l'écran commencent à clignoter. En tournant le codeur, le mode Quicklight est activé et vous pouvez régler la luminosité totale de 000 à 255 (CW et WW sont pré-réglés sur la valeur 255).

Quicklight  
255

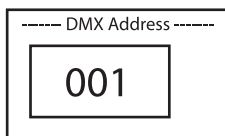
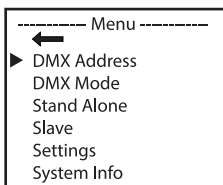
### AFFICHAGE PRINCIPAL DE L'ÉCRAN

L'écran principal affiche le mode en cours (dans l'exemple, le mode DMX avec l'adresse de départ DMX 001).

DMX Address  
001

### RÉGLAGE DE L'ADRESSE DE DÉPART DMX (DMX Address)

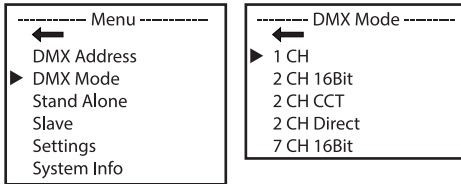
À partir de l'écran principal, appuyez sur l'encodeur pour accéder au menu principal. Sélectionnez alors l'élément de menu **DMX Address** et confirmez. Réglez l'adresse de départ DMX souhaitée et confirmez la saisie (la valeur la plus élevée dépend du mode DMX actuellement réglé).





## RÉGLAGE DU MODE DMX (DMX Mode)

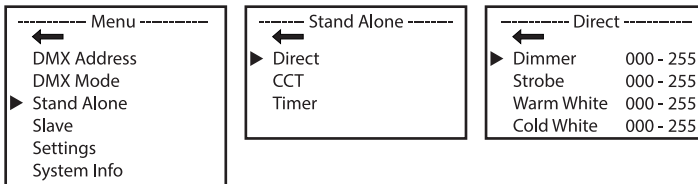
À partir de l'écran principal, appuyez sur l'encodeur pour accéder au menu principal. Sélectionnez alors l'élément de menu **DMX Mode** et confirmez. Sélectionnez le mode de fonctionnement DMX souhaité et confirmez votre choix. Vous trouverez les tableaux d'affectation des canaux correspondant aux différents modes DMX à la section PILOTAGE EN MODE DMX de ce manuel.



## MODE DE FONCTIONNEMENT STAND-ALONE DIRECT

Le mode de fonctionnement autonome Direct permet, comme avec un contrôleur DMX, de régler le variateur, le stroboscope (strobe), les LED Warm White et les LED Cold White directement sur l'appareil. Il est ainsi possible de créer une scène personnalisée sans recourir à un contrôleur DMX supplémentaire.

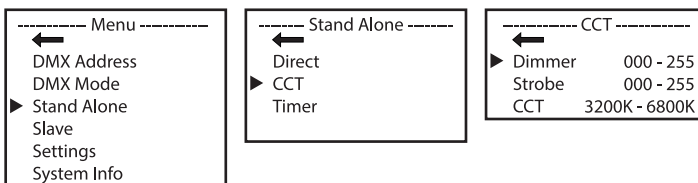
À partir de l'écran principal, appuyez sur l'encodeur pour accéder au menu principal. Sélectionnez alors l'élément de menu **Stand Alone**, confirmez, puis sélectionnez **Auto** et confirmez à nouveau. Sélectionnez ensuite l'élément de menu que vous souhaitez modifier et validez. Réglez la valeur souhaitée et validez la saisie. Les valeurs de l'effet stroboscopique correspondent aux valeurs du canal 3 du tableau DMX 7 CH 16 bits.



## MODE STANDALONE CCT (Correlated Colour Temperature)

Réglez le variateur, le stroboscope (strobe) et la température de couleur comme vous le souhaitez.

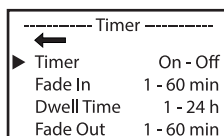
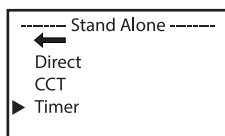
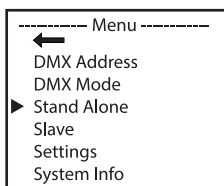
À partir de l'écran principal, appuyez sur l'encodeur pour accéder au menu principal. Sélectionnez alors l'élément de menu **Stand Alone**, confirmez, puis sélectionnez **CCT** et confirmez à nouveau. Sélectionnez ensuite l'élément de menu que vous souhaitez modifier et validez. Réglez la valeur souhaitée et validez la saisie. Les valeurs de l'effet stroboscopique correspondent aux valeurs du canal 3 du tableau DMX 7 CH 16 bits.



## FUNCTION DE TEMPORISATION (Timer)

La fonction de temporisation permet le contrôle temporisé du mode de fonctionnement Standalone Static : la durée du **fondu** d'entrée (Fade In) est réglable de 0 à 60 minutes, la durée de temporisation (Dwell Time) de 1 à 24 heures et la durée du fondu de sortie (Fade Out) de 0 à 60 minutes. La temporisation commence immédiatement après l'activation de la fonction Timer dans le mode de fonctionnement Standalone préalablement sélectionné, et se maintient même lorsque le projecteur est éteint puis rallumé.

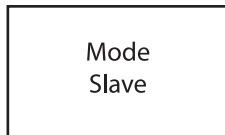
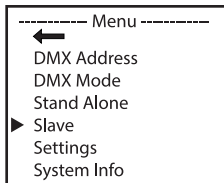
À partir de l'affichage principal, appuyer sur l'encodeur pour accéder au menu principal. Sélectionnez l'option **Stand Alone**, confirmez, puis sélectionnez **Timer** et confirmez à nouveau. Sélectionnez alors les valeurs individuelles pour **Fade In**, **Dwell Time** ou **Fade Out** et confirmez. Un champ numérique apparaît à chaque fois à l'écran et vous pouvez régler la valeur de 1 à 60 ou de 1 à 24 en tournant l'encodeur comme vous le souhaitez. Confirmez à nouveau. Une fois tous les réglages effectués, activez la fonction Timer en sélectionnant le point de sous-menu **Timer On/Off**, confirmez, sélectionnez **On** et confirmez à nouveau (pour désactiver la fonction Timer, veuillez sélectionner **Off** et confirmer).



Remarque : la fonction de temporisation (Timer) est conçue pour une utilisation en mode maître/esclave via un câble.

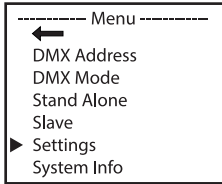
## MODE SLAVE

À partir de l'écran principal, appuyez sur l'encodeur pour accéder au menu principal. Sélectionnez l'élément de menu **Slave** et confirmez votre choix. Reliez les projecteurs Slave et Master (même modèle, même version de logiciel) à l'aide d'un câble DMX et activez l'un des modes de fonctionnement Stand-Alone (Direct, CCT, Loop) sur le projecteur Master. Le projecteur Slave suit alors exactement le projecteur Master.



## PARAMÈTRES DU SYSTÈME (Settings)

À partir de l'écran principal, appuyez sur l'encodeur pour accéder au menu principal. Sélectionnez l'élément de menu **Settings** et confirmez votre choix.



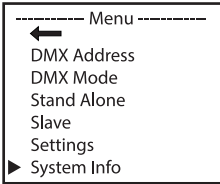
Cette action permet d'accéder au sous-menu pour le réglage des options de sous-menu (voir tableau, pour sélectionner, tourner puis appuyer sur l'encodeur pour valider, tourner pour modifier la valeur ou l'état et appuyer pour valider).

Paramètres				
Display Reverse	=	Rotation de l'affichage de l'écran	OFF	Pas de rotation de l'affichage
			ON	Rotation à 180 ° de l'affichage de l'écran (par exemple en cas de montage tête en bas)
Display Off Timer	=	Éclairage de l'écran	Off after 20s	Désactivation au bout d'env. 20 secondes d'inactivité
			Always On	Allumé en permanence
DMX Fail	=	État de fonctionnement en cas d'interruption du signal DMX	Hold	Maintien de la dernière commande
			Blackout	Active la fonction Blackout
			Full	Full On = luminosité maximale
			Stand Alone (autonome)	Le mode autonome Direct est activé
Dimmer Curve	=	Courbe de dimmer	Linear	L'intensité lumineuse augmente de façon linéaire avec la valeur DMX
			Exponential	L'intensité lumineuse peut être réglée de façon précise dans la plage de valeurs DMX inférieure et de façon approximative dans la plage de valeurs DMX supérieure
			Logarithmic	L'intensité lumineuse peut être réglée de façon approximative dans la plage de valeurs DMX inférieure et de façon précise dans la plage de valeurs DMX supérieure
			S-Curve	L'intensité lumineuse peut être réglée de façon précise dans les plages de valeurs DMX inférieure et supérieure et de façon approximative dans la plage de valeurs DMX moyenne

Constant Brightness	=	Luminosité constante lors du passage du blanc chaud au blanc froid et inversement	On	Fonction activée
			Off	Fonction désactivée
Dimmer Response	=	Comportement de dimmer	LED	Le projecteur réagit de façon brutale aux modifications de la valeur DMX
			Halogen	La réaction du projecteur est comparable à celle d'un projecteur halogène, caractérisé par des variations douces de la luminosité
PWM Frequency	=	Fréquence de modulation de largeur d'impulsion du signal de la LED	650 Hz, 1530 Hz, 3600 Hz, 12000 Hz, 18900 Hz, 25000 Hz	Sélection de la fréquence de modulation de largeur d'impulsion du signal de la LED
Fan	=	Comportement du ventilateur	Auto	Régulation automatique de la puissance du ventilateur
			Off	Ventilateur désactivé en cas de forte réduction de la luminosité
			Constant High	Vitesse de ventilation élevée et constante
			Constant Medium	Vitesse de ventilation moyenne constante en cas de luminosité réduite, si nécessaire
			Constant Low	Vitesse de ventilation faible et constante en cas de luminosité réduite, si nécessaire
Calibration	=	Calibrage du blanc chaud et du blanc froid	Blanc chaud	Calibrage individuel du blanc chaud et du blanc froid. Réglage de la luminosité entre 000 et 255 commun à tous les modes de fonctionnement
			Blanc froid	
Factory Reset	=	Restauration des réglages usine	Reset Now ? Yes / No	Réinitialiser avec Yes, annuler avec No
Service Timer Reset	=	Réinitialisation de la minuterie de service	Reset Now ? Yes / No	Réinitialiser avec Yes, annuler avec No

## INFORMATIONS SYSTÈME (System Info)

À partir de l'écran principal, appuyer sur l'encodeur pour accéder au menu principal. Sélectionnez l'élément de menu System Info et confirmez votre choix.



Vous accédez alors au sous-menu permettant d'accéder aux informations système (voir tableau) :

System Info				
Firmware :	=	Affichage du numéro de version de firmware du projecteur	Main CPU V1.xx	
Temperature	=	Affichage de la température de la source LED	Temperature	LED xx°C / xx°F
			Temperature Unit	°C (= affichage en degrés Celsius) °F (= affichage en degrés Fahrenheit)
Opération Hours	=	Affichage de la durée de fonctionnement	Unit Operation Time xx:xxh	Affichage de la durée de fonctionnement de l'appareil, en heures et en minutes
			LED Operation Time xx:xxh	Affichage de la durée d'utilisation de la LED, en heures et en minutes
			Service Time	Affichage de la durée de fonctionnement du projecteur depuis la dernière réinitialisation de la minuterie de service, en heures et minutes

## MONTAGE

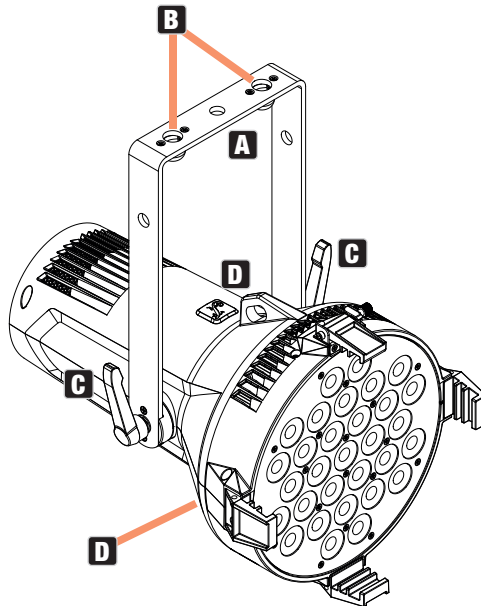


**DANGER :** Le montage tête en bas requiert des compétences poussées, notamment pour le calcul des valeurs limites pour la charge de service, le matériel d'installation utilisé et le contrôle de sécurité à effectuer régulièrement sur l'ensemble du matériel d'installation et sur le projecteur. Sans les qualifications requises, ne pas essayer d'effectuer soi-même l'installation, mais faire appel à une entreprise professionnelle. Des appareils mal montés et mal fixés risquent de se détacher et de tomber. Cela peut causer des blessures graves voire mortelles.

Montez une pince de traverse appropriée directement sur l'étrier en U (A). Un étrier en oméga, disponible en option, peut également être fixé à l'étrier en U (B). Le montage sur une traverse s'effectue à l'aide d'une pince de serrage sur traverse. Des pinces de serrage sur traverse adaptées sont disponibles en option.

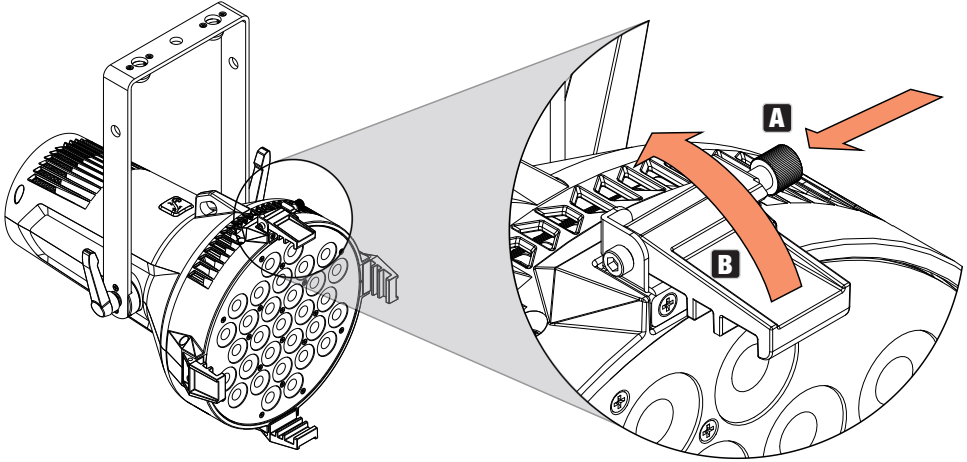
Desserrez les deux leviers de serrage situés sur les côtés du projecteur (C) pour régler la direction du faisceau sur le plan vertical et resserrez les deux leviers de serrage une fois le réglage terminé.

Veillez toujours à ce que les fixations soient solides et sécurisez le projecteur à l'aide d'une élingue de sécurité appropriée, selon la situation, à l'anneau de sécurité situé sur le dessus ou le dessous du projecteur (D).



## MONTER L'ÉCRAN DIFFUSEUR OU LE LIMITEUR D'AILE

Pour monter un diffuseur (ou un coupe-flux) disponible en option, appuyez sur la goupille de sécurité à ressort située sur la partie supérieure du projecteur (A). Le support se rabat alors automatiquement vers le haut (B). Poussez l'écran diffuseur (ou le coupe-flux) vers le haut dans les rainures des supports latéraux et inférieurs.



Rabattez ensuite le support à ressort sur la partie supérieure du projecteur en veillant à ce que la goupille de sécurité s'enclenche correctement.

## ACCESSOIRES EN OPTION

**Coupe-flux à 4 volets**  
CLX3BARNDOR



**Écrans diffuseurs**  
CLX31060LENS (10° x 60°)  
CLX320LENS (20°)  
CLX350LENS (50°)  
CLX380LENS (80°)



**Étrier en omega**  
CLOMEGABRACKET1



- Illustrations similaires -

## ENTRETIEN, MAINTENANCE ET RÉPARATION

Pour garantir le bon fonctionnement de l'appareil à long terme, l'entretien et, si nécessaire, la maintenance doivent être effectués régulièrement. Les besoins en entretien et en maintenance dépendent de l'intensité et de l'environnement d'utilisation. Nous recommandons de procéder à un contrôle visuel avant chaque mise en service. En outre, nous recommandons de prendre toutes les mesures d'entretien pertinentes indiquées ci-dessous toutes les 500 heures de fonctionnement ou, en cas d'intensité d'utilisation plus faible, au plus tard après un an d'utilisation. Les défauts dus à un entretien insuffisant peuvent entraîner une limitation des droits à la garantie.

### ENTRETIEN (réalisable par l'utilisateur)



**AVERTISSEMENT !** Avant toute opération d'entretien, l'alimentation électrique et, dans la mesure du possible, toutes les connexions de l'appareil doivent être débranchées.



**REMARQUE !** Un entretien inapproprié peut entraîner une dégradation de l'appareil, voire sa destruction.

1. Les surfaces du boîtier doivent être nettoyées avec un chiffon propre et humide. Veiller à ce qu'aucune humidité ne pénètre dans l'appareil.
2. Les orifices d'entrée et de sortie d'air doivent être nettoyés régulièrement pour éliminer la poussière et les impuretés. En cas d'utilisation d'air comprimé, veillez à ce que l'appareil ne soit pas endommagé (les ventilateurs doivent notamment être bloqués).
3. Les câbles et connecteurs doivent être nettoyés régulièrement et débarrassés de la poussière et des impuretés.
4. De manière générale, aucun produit de nettoyage ou produit abrasif ne doit être utilisé pour l'entretien, faute de quoi la finition de la surface pourrait être endommagée.
5. De manière générale, les appareils doivent être stockés au sec et protégés de la poussière et des salissures.

### MAINTENANCE ET RÉPARATION (uniquement par du personnel qualifié)



**DANGER !** L'appareil renferme des composants sous tension. Même après déconnexion du secteur, il peut subsister une tension résiduelle dans l'appareil, par exemple à cause de condensateurs chargés.



**REMARQUE !** L'appareil ne contient aucun élément nécessitant un entretien par l'utilisateur.



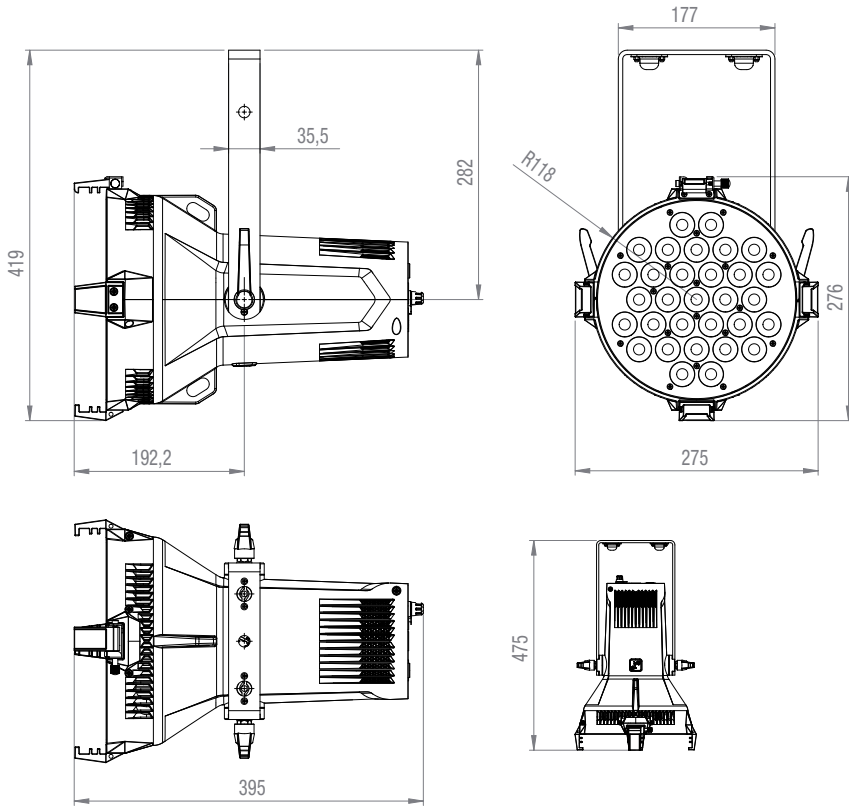
**REMARQUE !** Les travaux de maintenance et de réparation ne peuvent être effectués que par du personnel spécialisé autorisé par le fabricant. En cas de doute, adressez-vous au fabricant.



**REMARQUE !** Des travaux d'entretien effectués de manière non conforme peuvent affecter le droit à la garantie.



# DIMENSIONS (mm)



ENGLISH

DEUTSCH

FRANCAIS

ESPAÑOL

POLSKI

ITALIANO

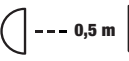
DMX

## CARACTÉRISTIQUES TECHNIQUES

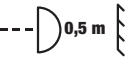
<b>Référence :</b>		<b>CLX3TW</b>
ENGLISH	Catégorie de produit :	Projecteur à LED
	Type :	Lampe d'exposition
	Spectre de couleurs :	Blanc réglable
	Nombre de LED :	16 x blanc froid (CW) + 15 x blanc chaud (WW)
	Type de LED :	15 W
DEUTSCH	Fréquence de modulation de largeur d'impulsion du signal des LED :	650 Hz ; 1530 Hz ; 3600 Hz ; 12 kHz ; 18,9 kHz ; 25 kHz (réglable)
	Largeur angulaire de faisceau à mi-intensité (largeur angulaire de faisceau à déci-intensité) :	8° (16,5°)
FRANCAIS	Entrée du signal de commande :	XLR 5 points mâle
	Sortie du signal de commande :	XLR 5 points femelle
	Fonctions DMX :	Variateur, stroboscope, blanc chaud, blanc froid, CCT, réglage de l'appareil
ESPAÑOL	Protocoles de contrôle :	DMX512, RDM
	Fonctions Standalone (mode autonome) :	Direct, CCT, minuterie
	Écran :	OLED
	Éléments de commande :	Encodeur rotatif à bouton poussoir
POLSKI	Tension de fonctionnement :	100 - 240 V /50 - 60 Hz
	Puissance absorbée :	400 W
	Power Out (Renvoi secteur) :	max. 10 A
	Éclairage lumineux (à 3 m) :	50000 lx
	Température chromatique :	3200K - 6800K
ITALIANO	Flux lumineux :	Full On : 21000 lm WW : 9700 lm CW : 12000 lm
	IRC :	>83
	Connecteurs secteur :	Embases compatibles TRUE1 (IN + OUT)
	IP (Indice de protection)	IP20
DMX	Température ambiante d'utilisation :	0 °C - 40 °C
	Distance minimale par rapport à la surface éclairée :	0,5 m

Distance minimale par rapport aux matériaux normalement inflammables :	0,5 m
Coloris du boîtier :	Noir
Matériau du boîtier :	Alliage de magnésium
Refroidissement du boîtier :	Ventilateur thermorégulé
Dimensions (L x H x P, sans étrier de montage) :	275 x 276 x 395 mm
Poids :	5,5 kg
Accessoire inclus :	1 câble secteur
Accessoires (en option) :	Disque diffuseur 20°, 50°, 80°, 60° x 10° ; étrier en oméga ; coupe-flux

## DISTANCE MINIMALE PAR RAPPORT À LA SURFACE ÉCLAIRÉE

 Ce symbole indique la distance minimale en mètres (m) à respecter entre le corps lumineux et la surface éclairée. Dans cet exemple, la distance est de 0,5 m. Vous trouverez la valeur valable pour cet appareil dans les caractéristiques techniques de ce manuel et sur la sérigraphie figurant sur le boîtier de l'appareil.

## DISTANCE MINIMALE PAR RAPPORT AUX MATÉRIAUX NORMALEMENT INFLAMMABLES

 Ce symbole indique la distance minimale en mètres (m) à respecter entre l'appareil et des matériaux normalement inflammables. Dans cet exemple, la distance est de 0,5 m. Vous trouverez la valeur valable pour cet appareil dans les caractéristiques techniques de ce manuel.

## MISE AU REBUT



### EMBALLAGE :

1. Les emballages peuvent être introduits dans le circuit de recyclage par les voies de collecte habituelles.
2. Trier l'emballage conformément à la législation sur l'élimination des déchets et à la réglementation sur les matériaux recyclables en vigueur dans votre pays.



### APPAREIL :

1. Cet appareil est soumis à la directive européenne sur les déchets d'équipements électriques et électroniques dans sa version actuelle. Directive DEEE Déchets d'équipements électriques et électroniques. Les appareils usagés ne doivent pas être jetés avec les ordures ménagères. L'appareil usagé doit être éliminé par une entreprise d'élimination des déchets agréée ou par un organisme communal de traitement des déchets. Respecter les réglementations en vigueur dans votre pays !



2. Veuillez à respecter la législation relative à l'élimination des déchets en vigueur dans votre pays.
3. En tant que particulier, vous obtiendrez des informations sur les possibilités d'élimination respectueuses de l'environnement en vous rapprochant de la boutique dans laquelle vous avez acheté le produit ou des autorités régionales compétentes.

## DÉCLARATIONS DU FABRICANT

### Garantie du fabricant et limitation de responsabilité

Adam Hall GmbH, Adam-Hall-Str. 1, D-61267 Neu Anspach

E-mail [Info@adamhall.com](mailto:Info@adamhall.com) / +49 (0)6081 / 9419-0.

Nos conditions de garantie et nos clauses de limitation de responsabilité actuelles sont disponibles sur Internet à l'adresse suivante :

[https://cdn-shop.adamhall.com/media/pdf/Manufacturers-Declarations-CAMEO\\_DE\\_EN\\_ES\\_FR.pdf](https://cdn-shop.adamhall.com/media/pdf/Manufacturers-Declarations-CAMEO_DE_EN_ES_FR.pdf)

En cas de panne, contacter votre partenaire commercial.

### Conformité CE

Par la présente, Adam Hall GmbH déclare que ce produit est conforme à la directive suivante (le cas échéant) :

Directive basse tension (2014/35/UE)

Directive CEM (2014/30/UE)

RoHS (2011/65/UE)

RED (2014/53/UE)

### Déclaration de conformité CE

Les déclarations de conformité pour les produits soumis aux directives LVD, EMC et RoHS peuvent être demandées à l'adresse [info@adamhall.com](mailto:info@adamhall.com).

Les déclarations de conformité pour les produits soumis à la directive RED peuvent être téléchargées sur [www.adamhall.com/compliance/](http://www.adamhall.com/compliance/).

**Sous réserve de fautes d'impression et d'erreurs, ainsi que de modifications techniques ou autres !**

**¡GRACIAS POR ELEGIR NUESTROS PRODUCTOS!**

Este equipo está diseñado y fabricado con los estándares de calidad más exigentes, para garantizar un correcto funcionamiento durante muchos años. Lea atentamente este manual de usuario para poder aprovechar rápidamente toda la funcionalidad de su nuevo producto de Cameo Light. Más información sobre Cameo Light en la web **CAMEOLIGHT.COM**.

**INFORMACIÓN SOBRE ESTE MANUAL DE USUARIO**

- Lea atentamente las instrucciones de seguridad y todo el manual antes de utilizar el equipo.
- Respete los indicadores de advertencia que aparecen en el equipo y en las instrucciones de uso.
- Tenga siempre a mano el manual de usuario.
- Si vende o cede el aparato, es importante que incluya también este manual del usuario, ya que forma parte integrante del producto.

**USO ADECUADO**

Este producto está pensado para el sector de eventos.

Este producto ha sido desarrollado para uso profesional en el sector de eventos y no está diseñado para el uso doméstico.

Además, este producto está destinado a ser utilizado por usuarios cualificados con conocimientos especializados sobre tecnología para eventos.

Se considerará contrario al uso previsto utilizar este producto fuera de las condiciones de funcionamiento y los datos técnicos especificados.

Queda excluida toda responsabilidad por daños personales y materiales si se utiliza el producto fuera del uso previsto.

El producto no es adecuado para:

- Personas (incluidos niños) con capacidades físicas, sensoriales o mentales reducidas o con falta de experiencia y conocimientos.
- Niños (los niños deben recibir instrucciones de no jugar con este equipo).

**DEFINICIONES Y EXPLICACIONES DE LOS SÍMBOLOS**

1. **PELIGRO:** La palabra PELIGRO, posiblemente en combinación con un símbolo, indica una situación o condición inminentemente peligrosa para la vida y la integridad física.
2. **ADVERTENCIA:** La palabra ADVERTENCIA, posiblemente en combinación con un símbolo, indica situaciones o condiciones potencialmente peligrosas para la vida y la integridad física.
3. **PRECAUCIÓN:** La palabra PRECAUCIÓN, posiblemente en combinación con un símbolo, se utiliza para indicar situaciones o condiciones que pueden provocar lesiones.
4. **ATENCIÓN:** La palabra ATENCIÓN, posiblemente en combinación con un símbolo, indica situaciones o condiciones que pueden provocar daños a la propiedad y/o al medioambiente.



Este símbolo indica peligro de descarga eléctrica.



Este símbolo identifica las zonas o situaciones peligrosas.



Este símbolo indica peligro por superficie a alta temperatura.



Este símbolo indica peligro debido a fuente de luz intensa.



Este símbolo indica que en el equipo no hay piezas que pueda sustituir el usuario.



Este símbolo indica información complementaria sobre el uso del producto.

## INSTRUCCIONES DE SEGURIDAD



### PELIGRO:

1. No abra el equipo ni intente modificarlo.
2. Si el equipo no funciona correctamente, o si se ha vertido líquido sobre él, o si un objeto ha caído en su interior o si ha sufrido algún desperfecto, apague inmediatamente el equipo y desenchufe el cable eléctrico. Únicamente un técnico especialista debe reparar el equipo.
3. Para los equipos de la clase de protección 1, el conductor de protección debe estar conectado correctamente. No desconecte nunca el conductor de protección. Los equipos de la clase de protección 2 no tienen conductor de protección a tierra.
4. Asegúrese de que los cables con tensión no estén doblados ni dañados mecánicamente de alguna forma.
5. No puentee nunca el fusible del equipo.



### ADVERTENCIA:

1. El equipo no debe ponerse en funcionamiento si presenta daños evidentes.
2. El equipo solo debe instalarse cuando esté desenchufado de la corriente eléctrica.
3. Si el cable eléctrico está dañado, no ponga en funcionamiento el equipo.
4. Los cables eléctricos fijos solo deben ser sustituidos por una persona cualificada.

**ATENCIÓN:**

1. Si el equipo ha estado expuesto a un cambio brusco de temperatura (por ejemplo, después del transporte), no lo encienda inmediatamente. La condensación o la humedad podrían dañar el equipo. No encienda el equipo hasta que haya alcanzado la temperatura ambiente.
2. Asegúrese de que la tensión y la frecuencia de la red eléctrica coinciden con los valores indicados en el equipo. Si el equipo dispone de un selector de tensión, antes de enchufarlo a la red eléctrica, asegúrese de que el valor seleccionado es correcto. Utilice solo cables eléctricos adecuados.
3. Para desconectar completamente el equipo de la red eléctrica, no es suficiente con pulsar el interruptor de encendido/apagado del equipo.
4. Asegúrese de que el fusible utilizado corresponde al tipo impreso en el equipo.
5. Asegúrese de que se han tomado las medidas necesarias contra las sobretensiones (por ejemplo, si cae un rayo).
6. Respete la corriente de salida máxima especificada en los equipos con salida eléctrica en paralelo. Asegúrese de que el consumo total de corriente de todos los equipos conectados no supera el valor especificado.
7. Sustituya los cables eléctricos solo por otros cables originales.

**PELIGRO:**

1. ¡Peligro de asfixia! Las bolsas de plástico y las piezas pequeñas deben mantenerse fuera del alcance de las personas (incluidos los niños) con capacidades físicas, sensoriales o mentales reducidas.
2. ¡Peligro de caída! Asegúrese de que el equipo está sólidamente instalado y no se puede caer. Utilice únicamente soportes y anclajes adecuados (especialmente en instalaciones fijas). Asegúrese de que los accesorios están correctamente instalados y firmemente fijados. Asegúrese de que se cumplen las normas de seguridad pertinentes.

**ADVERTENCIA:**

1. Utilice el equipo únicamente de la forma prevista.
2. Emplee el equipo solo con los accesorios previstos y recomendados por el fabricante.
3. Al instalar el equipo, respete las normas de seguridad aplicables en su país.
4. Una vez conectado el equipo, compruebe que en toda la longitud del cableado no hay peligro de que provoque una caída, por ejemplo.
5. ¡Es esencial respetar la distancia mínima especificada a los materiales normalmente inflamables! Si no se indica explícitamente, la distancia mínima es de 0,3 m.

**ATENCIÓN:**

1. En el caso de los componentes móviles, como los soportes de montaje u otros elementos móviles, existe la posibilidad de que se atasquen.
2. En el caso de los equipos con componentes accionados por motor, existe riesgo de lesiones por el movimiento del equipo. Un movimiento brusco del aparato puede provocar lesiones por impacto.



3. La superficie de la carcasa del equipo puede calentarse mucho durante el funcionamiento normal. Tenga cuidado de no tocar accidentalmente la carcasa. Esperar siempre hasta que el equipo se haya enfriado lo suficiente antes de desmontarlo, realizar trabajos de mantenimiento, cargarlo u otras manipulaciones.

**ATENCIÓN:**

1. No instale ni opere el equipo cerca de radiadores, salidas de calefacción, estufas u otras fuentes de calor. Asegúrese de que el equipo esté instalado en un lugar con ventilación suficiente para evitar cualquier sobrecalentamiento.
2. No coloque cerca del equipo fuentes de llamas sin protección, por ejemplo, velas encendidas.
3. Las rejillas de ventilación no deben estar cubiertas; los ventiladores no deben estar bloqueados.
4. Utilice el embalaje original u otro embalaje suministrado por el fabricante para el transporte.
5. Evite los golpes o impactos en el equipo.
6. Respete la clase de protección IP, así como las condiciones ambientales, como la temperatura y la humedad, de acuerdo con las especificaciones.
7. Los equipos pueden perfeccionarse constantemente. En caso de que la información sobre las condiciones de funcionamiento, el rendimiento u otras propiedades del equipo especificada en el manual del usuario difiera de la información del etiquetado del equipo, siempre tendrá prioridad la información del equipo.
8. El equipo no es adecuado para climas tropicales ni para funcionar a más de 2000 m sobre el nivel del mar.
9. A menos que se indique explícitamente, el equipo no es adecuado para su uso en entornos marinos.

**NOTA:**

Si se utilizan sets de conversión o reequipamiento, o accesorios suministrados por el fabricante, asegúrese de respetar el manual de instrucciones adjunto.



## ¡ATENCIÓN!: ¡INFORMACIÓN IMPORTANTE SOBRE LOS PRODUCTOS DE ILUMINACIÓN!



1. No mire directamente el haz de luz, ni siquiera momentáneamente.
2. No mire directamente el haz de luz con instrumentos ópticos, como lentes de aumento.



3. ¡Los efectos estroboscópicos pueden a veces causar convulsiones en personas fotosensibles!



4. Estos focos cuentan con una lámpara fija que no debe ser sustituida por el usuario. La lámpara incluida en este foco solo puede ser sustituida por el fabricante o uno de sus socios de servicio técnico, o por una persona cualificada.

## INDICACIONES PARA EQUIPOS PORTÁTILES DE INTERIOR



1. Operación temporal. En principio, los equipos para eventos están diseñados solo para un uso temporal.
2. El funcionamiento continuo o la instalación permanente puede perjudicar el funcionamiento y acelerar el desgaste del equipo.

## ELEMENTOS SUMINISTRADOS

Saque el producto del embalaje y retire todo el material de embalaje.

Compruebe que ha recibido en perfecto estado todos los componentes del equipo e informe al distribuidor inmediatamente después de la compra si nota algún daño o la falta de algún componente.

El producto se suministra con:

- ▶ 1 × foco Cameo X3TW
- ▶ 1 × cable de alimentación
- ▶ Manual de usuario

## INTRODUCCIÓN

Foco PAR LED con 15 LED blanco cálido de 15 W y 16 LED blanco frío de 15 W CLX3TW

### MODOS DE CONTROL:

Control DMX de 1 canal, 2 canales 16 bits, 2 canales CCT, 2 canales Direct, 7 canales 16 bits

Modo Maestro/Esclavo

Modo Autónomo

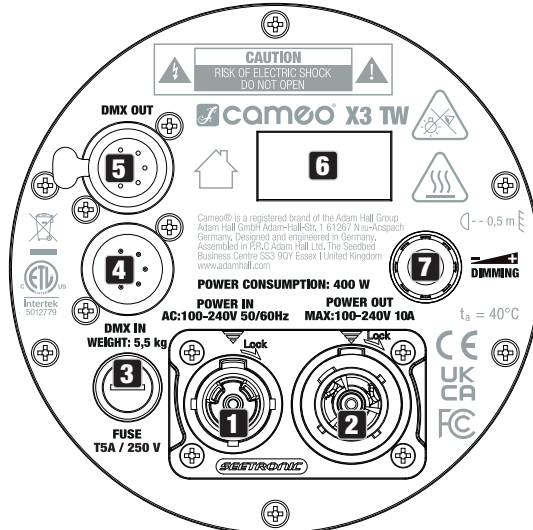
### CARACTERÍSTICAS:

15 LED blanco cálido de 15 W y 16 LED blanco frío de 15 W. DMX512. Conectores DMX de 5 pines. Función Quicklight mediante el control giratorio. Alimentación eléctrica de 100-240 V CA.

El foco es compatible con el protocolo RDM (Remote Device Management) de gestión remota de dispositivos. Esta característica de gestión remota permite consultar el estado y la configuración de equipos RDM mediante un controlador compatible con RDM, como el Cameo UNICON, disponible como accesorio opcional (ref. CLIREMOTE).

El Cameo UNICON también permite acceder a todo el menú del equipo.

# CONEXIONES, CONTROLES E INDICADORES



## 1 POWER IN

Toma de entrada eléctrica compatible con TRUE1. Alimentación eléctrica de 100-240 VAC, 50/60 Hz. Se suministra el cable eléctrico apropiado con conector compatible con TRUE1.

## 2 POWER OUT

Toma de salida eléctrica compatible con TRUE1. Sirve para alimentar otros focos CAMEO. Asegúrese de que el consumo total de todos los equipos conectados no supere los amperios especificados del equipo.

## 3 FUSIBLE

Portafusibles para fusibles de 5 × 20 mm. **NOTA IMPORTANTE:** Sustituya el fusible únicamente por otro del mismo tipo y características. Si el fusible se fundiera continuamente, póngase en contacto con un servicio técnico autorizado.

## 4 DMX IN

XLR macho de 5 pines para conectar un equipo de control DMX (como una mesa DMX).

## 5 DMX OUT

XLR hembra de 5 pines para reenviar la señal de control DMX.

## **6 PANTALLA OLED**

La pantalla OLED muestra el modo de funcionamiento activo (pantalla principal), las opciones del menú y el valor o el modo de funcionamiento dentro de las diferentes opciones de menú. Si durante unos 30 segundos no se detecta ninguna actividad, en la pantalla se mostrará automáticamente la pantalla principal. Nota sobre la pantalla principal en los modos de funcionamiento con control externo: En cuanto se interrumpe la señal de control, los caracteres de la pantalla empiezan a parpadear; si la señal de control vuelve a estar presente, el parpadeo se detendrá.

## **7 MANDO GIRATORIO**

Utilice el mando giratorio para desplazarse por el menú del equipo y configurar el foco:

Para abrir el menú principal, pulse el control giratorio.

Para seleccionar la opción del (sub)menú, gire control giratorio.

Para abrir (sub)menú, pulse el control giratorio.

Para cambiar el valor o estado, pulse el control giratorio.

Para confirmar el cambio, pulse el control giratorio.

Para salir del menú, seleccione y confirme el símbolo de la flecha.

## **ARGOLLA DE SEGURIDAD**

En las partes superior e inferior del foco hay sendas argollas de seguridad para asegurarlo cuando se monta suspendido.

## USO

### OBSERVACIONES

- Una vez conectado el foco a la red eléctrica, durante el proceso de arranque se mostrarán sucesivamente los siguientes mensajes en la pantalla «Update wait.» (solo para mantenimiento), «Welcome to Cameo», el modelo del equipo y la versión del software. Al terminar el proceso, el equipo ya está listo para funcionar y se activará el modo de funcionamiento seleccionado previamente.
- Tras 30 segundos de inactividad, también se vuelve automáticamente a la pantalla principal.
- Si está activado uno de los modos DMX y no hay señal DMX en la entrada DMX, los caracteres de la pantalla empezarán a parpadear. Gire el control giratorio para ajustar el brillo del foco de 000 a 255 (función Quicklight) (blanco frío y blanco cálido preajustados a 255).

Quicklight  
255

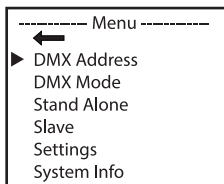
### DESCRIPCIÓN DE LA PANTALLA

La pantalla muestra el modo operativo activo (en el ejemplo de la figura, el modo DMX con la dirección inicial DMX 001).

DMX Address  
001

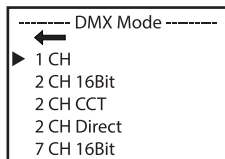
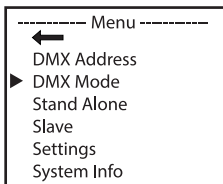
### AJUSTE DE LA DIRECCIÓN INICIAL DMX (DMX Address)

Desde la pantalla principal pulse el control giratorio para ir al menú principal. Seleccione ahora la opción de menú **DMX Address** y confirme. Establezca la dirección inicial DMX que desee y confirme (el valor más alto depende del modo DMX activado).



## AJUSTE DEL MODO DMX (DMX Mode)

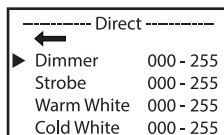
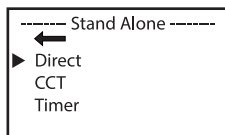
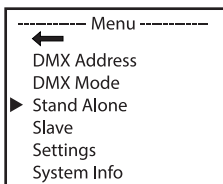
Desde la pantalla principal pulse el control giratorio para ir al menú principal. Seleccione ahora la opción de menú **DMX Mode** y confirme. Seleccione el modo DMX que desee y confirme la selección. Consulte las tablas DMX con la asignación de canales en la sección CONTROL DMX de este manual.



## MODO AUTÓNOMO DIRECT

El modo autónomo Directo permite ajustar el atenuador, el estrobo, el blanco cálido y el blanco frío directamente desde el equipo, de forma similar a un controlador DMX. De este modo, podrá crear una escena personalizada sin necesidad de un controlador DMX adicional.

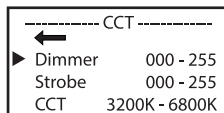
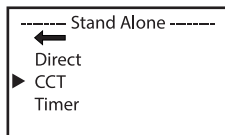
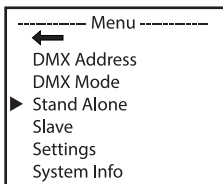
Desde la pantalla principal pulse el control giratorio para ir al menú principal. Ahora seleccione la opción de menú **Stand Alone**, confirme, luego seleccione **Direct** y confirme de nuevo. Seleccione ahora la opción de menú que desea editar y confirme. Establezca el valor que desee y confirme. Los valores para el efecto estrobo corresponden a los valores del canal 3 de la tabla DMX 7 canales 16 bits.



## MODO AUTÓNOMO CCT (Correlated Color Temperature)

Permite ajustar el regulador de intensidad, el estrobo y la temperatura de color.

Desde la pantalla principal pulse el control giratorio para ir al menú principal. Ahora seleccione la opción de menú **Stand Alone**, confirme, luego seleccione **CCT** y confirme de nuevo. Seleccione ahora la opción de menú que desea editar y confirme. Establezca el valor que desee y confirme. Los valores para el efecto estrobo corresponden a los valores del canal 3 de la tabla DMX 7 canales 16 bits.

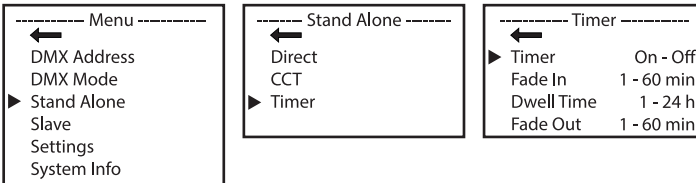


## TEMPORIZADOR

La función de temporizador permite el control temporal del modo autónomo **Directo** y **CCT** ajustando el tiempo de entrada (Fade In) de 0 a 60 minutos, el tiempo de permanencia (Dwell Time) de 1 a 24 horas y el tiempo de salida (Fade Out) de 1 a 60 minutos. El control de tiempo comienza en cuanto se activa el temporizador en el modo autónomo previamente activado y se mantiene aunque el foco se apague y vuelva a encender.

Desde la pantalla principal pulse el control giratorio para ir al menú principal. Seleccione la opción de menú **Stand Alone**, confirme y, a continuación, seleccione **Timer** y confirme de nuevo. Ahora seleccione **Fade In**, **Dwell Time** o **Fade Out** para ajustar cada uno de los valores, y confirme.

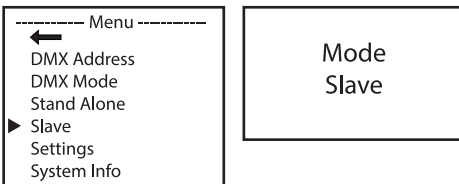
En la pantalla se mostrará un campo numérico para cada valor que se podrá ajustar de 1 a 60 o de 1 a 24 girando el control giratorio. Confirme de nuevo. Una vez realizados todos los ajustes, active la función de temporizador seleccionando la opción del submenú **Timer On/Off**, confirme, seleccione **On** y confirme de nuevo. Para desactivar la función de temporizador, seleccione **Off** y confirme.



Nota: La función de temporizador es compatible con el funcionamiento maestro/esclavo por cable.

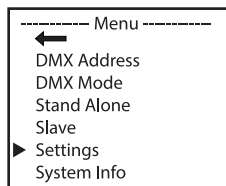
## MODO ESCLAVO

Desde la pantalla principal pulse el control giratorio para ir al menú principal. Seleccione la opción de menú **Slave** y confirme la selección. Conecte las unidades esclava y la maestra (del mismo modelo y de la misma versión de software) mediante un cable DMX y active uno de los modos autónomos (Directo, CCT) en la unidad maestra. A partir de ese momento, la unidad esclava estará sincronizada con la unidad maestra.



## CONFIGURACIÓN (Settings)

Desde la pantalla principal pulse el control giratorio para ir al menú principal. Seleccione la opción de menú **Settings** y confirme la selección.



Accederá al submenú en el que podrá configurar las opciones de la tabla siguiente, pulse el control giratorio y proceda de igual manera en el menú principal para volver a la pantalla principal.

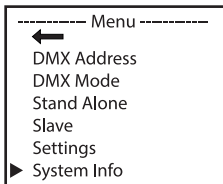
Settings				
Display Reverse	=	Girar la pantalla	OFF	No girar la pantalla
			ON	Girar la pantalla 180° (p. e., para montaje suspendido)
Display Off Timer	=	Retroiluminación de la pantalla	Off after 20s	Se apaga al cabo de 20 segundos de inactividad
			Always On	Siempre encendida
DMX Fail	=	Modo operativo si se interrumpe la señal DMX	Hold	Último modo operativo
			Blackout	Oscurecimiento
			Full	Full On (luz blanca, máxima intensidad)
			Stand Alone	Modo autónomo directo activado
Dimmer Curve	=	Curva de atenuación	Linear	La intensidad del foco aumenta de manera lineal con el valor DMX
			Exponential	La intensidad del foco varía poco a niveles bajos de DMX y varía mucho a niveles altos de DMX.
			Logarithmic	La intensidad del foco varía mucho a niveles bajos de DMX y varía poco a niveles altos de DMX.
			S-Curve	La intensidad del foco varía poco a niveles bajos y altos de DMX y varía mucho a niveles intermedios de DMX.



Constant Brightness	=	Intensidad constante al cambiar de blanco cálido a blanco frío (y viceversa)	On	Función activada
			Off	Función desactivada
Dimmer Response	=	Tipo de atenuación	LED	El foco reacciona al instante a los cambios en el valor DMX
			Halogen	El foco reacciona como una lámpara halógena, con suaves cambios de intensidad
PWM Frequency	=	Frecuencia PWM del led	650Hz, 1530Hz, 3600Hz, 12000Hz, 18900Hz, 25000Hz	Selección de la frecuencia PWM de los LED
Fan	=	Control del ventilador	Auto	Regulación automática del ventilador
			Off	Ventilador apagado con brillo muy reducido
			Constant High	Velocidad alta y constante del ventilador
			Constant Medium	Velocidad intermedia y constante del ventilador con brillo reducido, si fuese necesario
			Constant Low	Velocidad baja y constante del ventilador con brillo reducido, si fuese necesario
Calibration	=	Calibración de blanco cálido y blanco frío	Warm White	Calibración independiente del blanco cálido y del blanco frío. Ajuste de la intensidad común a todos los modos operativos entre 000 y 255
			Cold White	
Factory Reset	=	Restablecer los valores de fábrica	Reset Now? Yes / No	Reiniciar con «Yes», cancelar con «No»
Service Timer Reset	=	Puesta a cero del temporizador de servicio	Reset Now? Yes / No	Reiniciar con «Yes», cancelar con «No»

## INFORMACIÓN DEL SISTEMA (System Info)

Desde la pantalla principal pulse el control giratorio para ir al menú principal. Seleccione la opción de menú System Info y confirme la selección.



Después, accederá al submenú para acceder a la información del sistema (consulte la tabla).

System Info				
Firmware	=	Pantalla de firmware del equipo	Main CPU V1.xx	
Temperature	=	Pantalla de temperatura del módulo LED	Temperature	LED xx°C / xx°F
			Temperature	°C (= cifras en grados Celsius)
			Unit	°F (= cifras en grados Fahrenheit)
Operation Hours	=	Tiempo de funcionamiento	Tiempo de funcionamiento del equipo xx:xxh	Tiempo de funcionamiento del equipo en horas y minutos
			Tiempo de funcionamiento del led xx:xxh	Tiempo de funcionamiento del led en horas y minutos
			Tiempo en servicio	Tiempo de funcionamiento del equipo desde la última puesta a cero del temporizador de servicio en horas y minutos

## MONTAJE

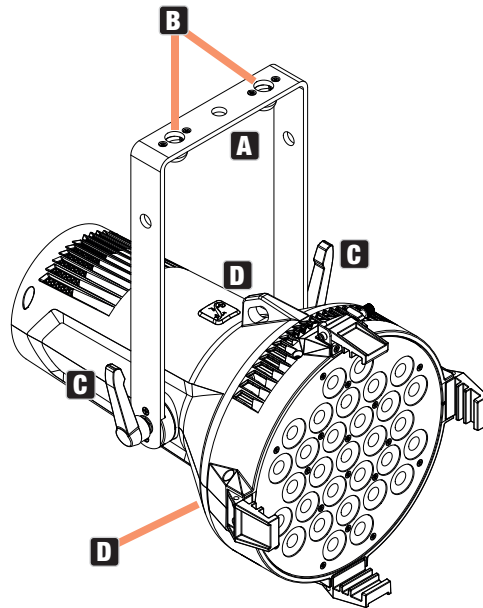


**PELIGRO :** El montaje en altura requiere mucha experiencia, incluido el cálculo de los valores límite de la carga de trabajo, el material de instalación utilizado y las comprobaciones de seguridad periódicas de todos los materiales de instalación y focos. Si no está cualificado para ello, no intente realizar la instalación por su cuenta y recurra a una empresa profesional. Existe el riesgo de que los equipos que no se hayan montado y fijado correctamente se suelten y se caigan. Esto puede provocar lesiones graves o incluso la muerte de personas.

Monte una abrazadera adecuada en el soporte en U (A). Opcionalmente, se puede montar un soporte en omega en el soporte en U (B). El montaje en trusses se realiza con una abrazadera adecuada. Las abrazaderas para trusses pueden adquirirse por separado.

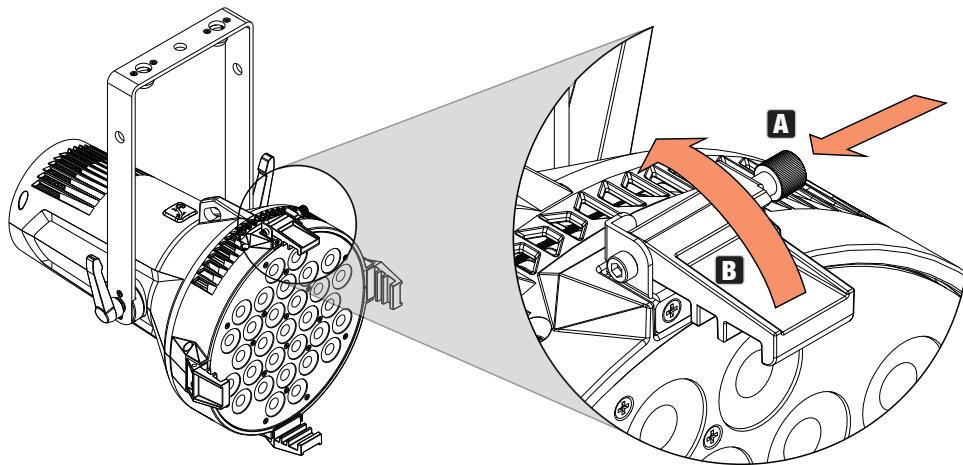
Afloje las dos palancas de bloqueo de los laterales del foco (C) para ajustar la dirección del haz en el plano vertical y después vuelva a apretar las dos palancas de bloqueo.

Asegúrese siempre de que las conexiones estén bien firmes y fije el foco con un cable de seguridad adecuado, según la situación, a la argolla situada en la parte superior o inferior del foco (D).



## MONTAJE DEL DIFUSOR O VISERA

Para montar un difusor (o visera) disponible opcionalmente, presione el pasador de bloqueo con resorte situado en la parte superior del foco (A). El soporte superior se replegará automáticamente hacia arriba (B). Deslice el difusor (o visera) desde arriba en las ranuras de los soportes laterales e inferior.



A continuación, vuelva a plegar hacia abajo el soporte con resorte situado en la parte superior del foco, asegurándose de que el pasador de bloqueo encaje correctamente.

## ACCESORIOS OPCIONALES

### Visera de 4 hojas

CLX3BARNDOR



### Difusores

CLX31060LENS (10° × 60°)

CLX320LENS (20°)

CLX350LENS (50°)

CLX380LENS (80°)



### Soporte en omega

CLOMEGABRACKET1



- Imagen aproximada -

## CUIDADO, MANTENIMIENTO Y REPARACIÓN

Para garantizar el buen funcionamiento del equipo a largo plazo, hay que limpiarlo con regularidad y, si es necesario, hacerle las revisiones necesarias. Los requisitos de mantenimiento dependen de la intensidad de uso y del entorno en el que se utilice.

Por lo general, recomendamos una inspección visual antes de cada puesta en marcha. Además, recomendamos llevar a cabo todas las medidas de mantenimiento aplicables que se especifican a continuación una vez cada 500 horas de funcionamiento o, en caso de uso menos intensivo, al cabo de un año como máximo. Las reclamaciones de garantía pueden estar limitadas en caso de defectos debidos a un mantenimiento inadecuado.

### LIMPIEZA (llevada a cabo por el usuario)



**¡ADVERTENCIA!** Antes de realizar cualquier trabajo de mantenimiento, debe desconectarse la fuente de alimentación y, si es posible, quitar todas las conexiones del equipo.



**¡AVISO!** Un cuidado inadecuado puede deteriorar el equipo e incluso destruirlo.

1. Las superficies de la carcasa deben limpiarse con un paño limpio y húmedo. Asegúrese de que la humedad no pueda penetrar en el equipo.
2. Asegúrese de que la humedad no pueda penetrar en el equipo. Si se utiliza aire comprimido, hay que tener cuidado para evitar que se dañe la unidad (por ejemplo, los ventiladores deben estar tapados).
3. Los cables y los contactos de los enchufes deben limpiarse regularmente para eliminar el polvo y la suciedad.
4. En general, no deben utilizarse productos de limpieza ni agentes abrasivos, ya que de lo contrario podría dañarse el acabado de la superficie.
5. Por lo general, los equipos deben guardarse en un lugar seco y protegido del polvo y la suciedad.

### MANTENIMIENTO Y REPARACIÓN (solo por personal cualificado)



**¡PELIGRO!** Hay piezas conductoras de tensión en el interior del equipo. Incluso después de desconectar la alimentación eléctrica, puede haber tensión residual en el equipo, por ejemplo, debido a condensadores cargados.



**¡AVISO!** En el equipo no hay componentes que pueda reparar el usuario.



**¡AVISO!** Los trabajos de mantenimiento y reparación solo pueden ser realizados por personal especializado autorizado por el fabricante. En caso de duda, consulte al fabricante.



**¡AVISO!** Los trabajos de mantenimiento realizados indebidamente pueden afectar al derecho de garantía.

# DIMENSIONES (mm)

ENGLISH

DEUTSCH

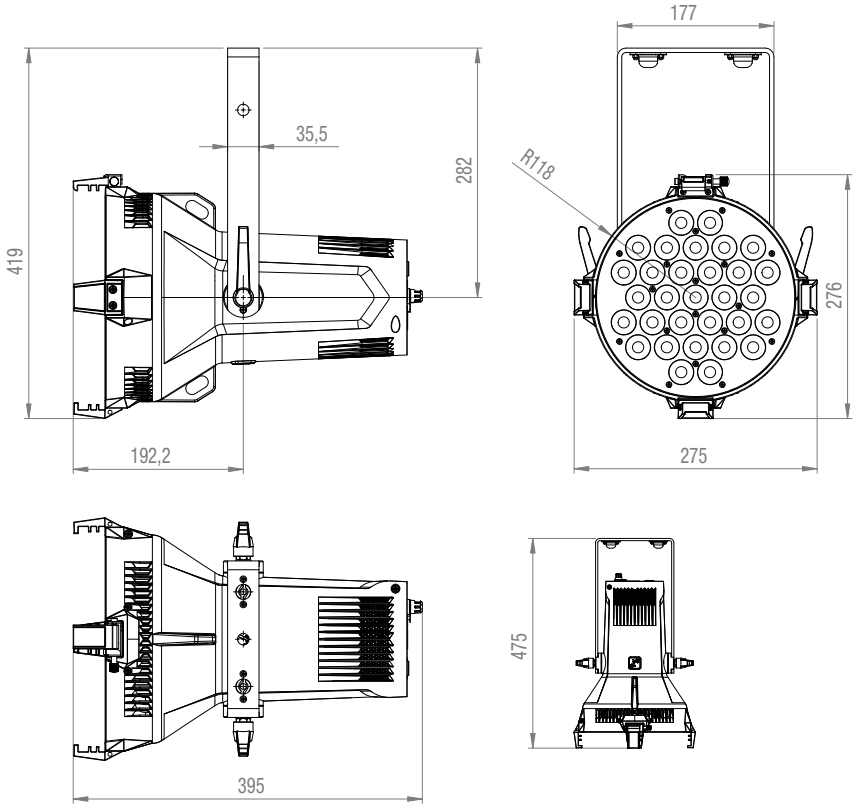
FRANCAIS

ESPAÑOL

POLSKI

ITALIANO

DMX



## CARACTERÍSTICAS TÉCNICAS

<b>Referencia:</b>	<b>CLX3TW</b>
Tipo de producto:	Foco LED
Tipo:	Foco para eventos
Colores:	Blanco ajustable
Número de LED:	16 blanco frío + 15 blanco cálido
Tipo de LED:	15 W
Frecuencia PWM de los LED:	650 Hz, 1530 Hz, 3600 Hz, 12 kHz, 18,9 kHz, 25 kHz (ajustable)
Ángulo del haz luminoso (ángulo de campo):	8° (16,5°)
Entrada de señal de control:	XLR macho de 5 pines
Salida de señal de control:	XLR hembra de 5 pines
Funciones DMX:	Atenuador, estrobo, blanco cálido, blanco frío, CCT, configuración del equipo
Protocolos de control:	DMX512, RDM
Modos Autónomo:	Directo, CCT, temporizador
Pantalla:	pantalla OLED
Controles:	Control giratorio
Alimentación eléctrica:	100 - 240 VAC, 50/60 Hz
Consumo:	400 W
Power Out:	máx. 10 A
Iluminancia a 3 m:	50.000 lx
Temperatura de color:	3200 K-6800 K
Flujo luminoso:	Full On: 21.000 lm Blanco cálido: 9700 lm Blanco frío: 12.000 lm
CRI:	> 83
Conexión de alimentación eléctrica:	Conectores compatibles TRUE1 (IN + OUT)
Protección IP	IP20
Temperatura operativa:	0 °C-40 °C
Distancia mínima a la superficie iluminada:	0,5 m
Distancia mínima a materiales normalmente inflamables:	0,5 m
Color de la carcasa:	Negro
Material de la carcasa:	Aleación de magnesio
Refrigeración:	Ventilador controlado por temperatura
Dimensiones (An. × Al. × F., sin soporte de montaje):	275 × 276 × 395 mm
Peso:	5,5 kg

ENGLISH

DEUTSCH

FRANCAIS

ESPAÑOL

POLSKI

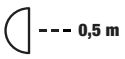
ITALIANO

DMX

Accesorios incluidos: 1 cable eléctrico

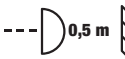
Accesorios opcionales: Difusor 20°, 50°, 80°, 60° × 10°, soporte en omega, visera

## DISTANCIA MÍNIMA A LA SUPERFICIE ILUMINADA



Este símbolo con información de distancia en metros (m) indica la distancia mínima de la lámpara con respecto a la superficie iluminada. En este ejemplo, la distancia es de 0,5 m. Consulte los datos técnicos de este manual y la impresión en la carcasa de la unidad para conocer el valor válido para esta unidad.

## DISTANCIA MÍNIMA A MATERIALES NORMALMENTE INFLAMABLES



Este símbolo con información de distancia en metros (m) indica la distancia mínima del equipo con respecto a materiales normalmente inflamables. En este ejemplo, la distancia es de 0,5 m. Consulte los datos técnicos de este manual para conocer el valor válido para este equipo.

## ELIMINACIÓN



### EMBALAJE:

1. El embalaje puede reciclarse a través de los métodos habituales de eliminación de residuos.
2. Por favor, separe el embalaje de acuerdo con las normas de eliminación de residuos y las normas de reciclaje de su país.



### APARATO:

1. Este aparato está sujeto a la Directiva Europea aplicable a los residuos de aparatos eléctricos y electrónicos, en su versión modificada. (Directiva RAEE sobre residuos de aparatos eléctricos y electrónicos). Los aparatos usados no deben eliminarse con la basura doméstica. Los aparatos viejos deben eliminarse a través de un servicio de eliminación de residuos autorizado o de una instalación municipal de eliminación de residuos. Respete la normativa vigente en su país.
2. Respete todas las leyes de eliminación aplicables en su país.
3. Como cliente particular, puede obtener información sobre las opciones de eliminación respetuosas con el medio ambiente en el establecimiento donde adquirió el producto o de las autoridades regionales competentes.



## **DECLARACIÓN DEL FABRICANTE**

### **Garantía del fabricante y limitación de responsabilidad**

Adam Hall GmbH, Adam-Hall-Str. 1, D-61267 Neu Anspach

Correo electrónico: [Info@adamhall.com](mailto:Info@adamhall.com) / +49 (0)6081 / 9419-0.

Consulte nuestras condiciones de garantía y limitaciones de responsabilidad en:

[https://cdn-shop.adamhall.com/media/pdf/Manufacturers-Declarations-CAMEO\\_DE\\_EN\\_ES\\_FR.pdf](https://cdn-shop.adamhall.com/media/pdf/Manufacturers-Declarations-CAMEO_DE_EN_ES_FR.pdf)

Para reparaciones, póngase en contacto con su distribuidor.

### **Conformidad CE**

Adam Hall GmbH declara que este producto es conforme con las siguientes directivas (según sea aplicable):

Directiva de baja tensión (2014/35/UE)

Directiva EMC (2014/30/UE)

RoHS (2011/65/UE)

Directiva RED (2014/53/UE)

### **Declaración de conformidad CE**

Las declaraciones de conformidad para productos sujetos a las directivas de baja tensión, EMC y RoHS pueden solicitarse a [info@adamhall.com](mailto:info@adamhall.com).

Las declaraciones de conformidad de los productos sujetos a la directiva RED pueden descargarse desde [www.adamhall.com/compliance/](http://www.adamhall.com/compliance/).

**Este documento puede estar sujeto a errores tipográficos o de imprenta, así como a modificaciones técnicas o de otro tipo.**

**GRATULUJEMY DOBREGO WYBORU!**

To urządzenie zostało zaprojektowane i wyprodukowane zgodnie z wysokimi standardami jakości, tak by działało bezawaryjnie przez wiele lat. Należy uważnie przeczytać niniejszą instrukcję obsługi, aby móc jak najszybciej rozpocząć prawidłową eksploatację nowego urządzenia marki Cameo Light. Więcej informacji o marce Cameo Light można znaleźć w naszej witrynie **CAMEOLIGHT.COM**.

**INFORMACJE DOTYCZĄCE NINIEJSZEJ INSTRUKCJI OBSŁUGI**

- Przed uruchomieniem urządzenia należy przeczytać wszystkie zasady bezpieczeństwa oraz całą instrukcję obsługi.
- Należy przestrzegać ostrzeżeń umieszczonych na urządzeniu i w instrukcji obsługi.
- Instrukcję obsługi należy zawsze mieć pod ręką.
- W przypadku sprzedaży lub przekazania urządzenia należy przekazać również niniejszą instrukcję obsługi, ponieważ stanowi ona istotną część produktu.

**UŻYTKOWANIE ZGODNE Z PRZEZNACZENIEM**

Produkt jest urządzeniem przeznaczonym dla branży eventowej!

Produkt jest przeznaczony do profesjonalnych zastosowań w organizacji imprez i nie nadaje się do użytku domowego!

Ponadto ten produkt jest przeznaczony wyłącznie dla wykwalifikowanych użytkowników posiadających wiedzę w zakresie obsługi technicznej imprez!

Użytkowanie produktu niezgodnie z wyszczególnionymi danymi technicznymi i warunkami eksploatacji uważa się za niezgodne z przeznaczeniem!

Wyłączona jest odpowiedzialność za szkody i obrażenia osób trzecich spowodowane użytkowaniem niezgodnym z przeznaczeniem!

Produkt nie jest przeznaczony dla:

- Osób (w tym dzieci) o ograniczonych możliwościach fizycznych, sensorycznych lub umysłowych, a także osób nie posiadających doświadczenia i wiedzy.
- Dzieci (należy poinstruować dzieci, aby nie bawiły się urządzeniem).

**OBJAŚNIENIA TERMINÓW I SYMBOLI**

1. **NIEBEZPIECZEŃSTWO** : Słowo NIEBEZPIECZEŃSTWO, ewentualnie w połączeniu z symbolem, wskazuje na bezpośrednie niebezpieczne sytuacje lub stany zagrożenia dla życia i zdrowia.
2. **OSTRZEŻENIE** : Słowo OSTRZEŻENIE, ewentualnie w połączeniu z symbolem, wskazuje na potencjalnie niebezpieczne sytuacje lub stany zagrażające zdrowiu lub życiu.
3. **PRZESTROGA** : Słowo PRZESTROGA, ewentualnie w połączeniu z symbolem, jest używane do wskazania sytuacji lub warunków, które mogą prowadzić do obrażeń.

4. **UWAGA** : Słowo UWAGA, ewentualnie w połączeniu z symbolem, wskazuje na sytuacje lub stany, które mogą prowadzić do szkód materialnych i/lub środowiskowych.



Ten symbol oznacza zagrożenia, które mogą być przyczyną porażenia prądem elektrycznym.



Ten symbol oznacza niebezpieczne miejsca lub sytuacje.



Ten symbol oznacza niebezpieczeństwa związane z gorącymi powierzchniami.



Ten symbol oznacza niebezpieczeństwa związane z intensywnym źródłem światła.



Ten symbol oznacza urządzenie, w którym nie ma części możliwych do samodzielnej wymiany przez użytkownika.



Ten symbol wskazuje na dodatkowe informacje dotyczące obsługi urządzenia.

## ZASADY BEZPIECZEŃSTWA



### NIEBEZPIECZEŃSTWO:

1. Nie otwierać urządzenia ani nie modyfikować go.
2. Jeśli urządzenie nie działa prawidłowo, do jego wnętrza dostały się przedmioty lub płyny albo zostało ono uszkodzone w inny sposób, należy je natychmiast wyłączyć i odłączyć od źródła napięcia. Naprawy urządzenia może przeprowadzać wyłącznie autoryzowany personel.
3. W przypadku urządzeń o klasie ochronności 1 przewód ochronny musi być prawidłowo podłączony. Nigdy nie odłączać przewodu ochronnego. Urządzenia o stopniu ochrony 2 nie mają przewodu ochronnego.
4. Upewnić się, że przewody pod napięciem nie są zgięte ani w inny sposób uszkodzone mechanicznie.
5. Nigdy nie wolno mostkować bezpiecznika urządzenia.



### OSTRZEŻENIE:

1. Urządzenia nie wolno uruchamiać, gdy jest ono w widoczny sposób uszkodzone.
2. Urządzenie wolno instalować wyłącznie w stanie beznapięciowym.
3. Jeśli kabel sieciowy jest uszkodzony, nie wolno uruchamiać urządzenia.
4. Podłączone na stałe przewody zasilające mogą być wymieniane tylko przez wykwalifikowany personel.



### UWAGA:

1. Nie uruchamiać urządzenia, jeśli było ono narażone na duże wahania temperatury (np. po transporcie). Wilgoć i kondensat mogą uszkodzić urządzenie. Włączyć urządzenie dopiero wtedy, gdy osiągnie temperaturę otoczenia.
2. Sprawdzić, czy napięcie i częstotliwość sieci elektrycznej są zgodne z parametrami podanymi na urządzeniu. Jeżeli urządzenie jest wyposażone w selektor napięcia, nie podłączać urządzenia do źródła zasilania, dopóki selektor nie zostanie ustawiony poprawnie. Używać tylko odpowiedniego kabla sieciowego.
3. Aby odłączyć urządzenie od sieci na wszystkich biegunach, nie wystarczy naciśnięcie wyłącznika zasilania na urządzeniu.
4. Zastosowany bezpiecznik powinien być tego samego typu jak opisany na urządzeniu.
5. Upewnić się, że podjęto odpowiednie działania zapobiegające przepięciu (np. wyładowania atmosferyczne).
6. Przestrzegać podanego maksymalnego prądu wyjściowego dla urządzeń ze złączem Power Out. Całkowity pobór prądu wszystkich podłączonych urządzeń nie może przekroczyć wymaganej wartości.
7. Odłączane przewody zasilające wymieniać wyłącznie na oryginalne.



### NIEBEZPIECZEŃSTWO:

1. Niebezpieczeństwo uduszenia! Worki z tworzywa sztucznego i drobne części należy przechowywać poza zasięgiem osób (łącznie z dziećmi) o ograniczonej sprawności fizycznej, sensorycznej lub umysłowej.
2. Niebezpieczeństwo związane z upadkiem! Upewnić się, że urządzenie zostało bezpiecznie zainstalowane i nie może upaść. Używać wyłącznie odpowiednich statywów i mocowań (zwłaszcza w przypadku instalacji stałych). Upewnić się, że akcesoria są prawidłowo zainstalowane i zabezpieczone. Należy przy tym przestrzegać obowiązujących przepisów dotyczących bezpieczeństwa.



### OSTRZEŻENIE:

1. Używać urządzenia tylko zgodnie z przeznaczeniem.
2. Używać urządzenia wyłącznie z akcesoriami zalecanymi i przewidzianymi przez producenta.
3. Podczas instalacji przestrzegać przepisów bezpieczeństwa obowiązujących w danym kraju.
4. Po podłączeniu urządzenia należy sprawdzić wszystkie trasy kablowe, aby uniknąć szkód lub wypadków spowodowanych np. przez potknięcie.
5. Należy bezwzględnie przestrzegać podanego minimalnego odstępów od materiałów normalnie palnych! Jeśli nie zostało to wyraźnie określone, minimalny odstęp wynosi 0,3 m.



### PRZESTROGA:

1. Ruchome elementy, takie jak wsporniki montażowe lub inne, mogą ulec zakleszczeniu.
2. W przypadku urządzeń z elementami napędzanymi silnikiem istnieje niebezpieczeństwo obrażeń w wyniku ruchów urządzenia. Nagłe ruchy urządzenia mogą wystraszyć użytkownika.



3. Podczas regularnej pracy powierzchnia obudowy urządzenia może się silnie nagrzewać. Zachować ostrożność, aby przypadkowo nie dotknąć obudowy. Przed demontażem, pracami konserwacyjnymi, ładowaniem itp. należy zawsze poczekać, aż urządzenie ostygnie.



### UWAGA:

1. Nie instalować ani nie eksploatować urządzenia w pobliżu grzejników, akumulatorów ciepła, pieców ani innych źródeł ciepła. Upewnić się, że urządzenie zawsze jest instalowane w taki sposób, aby zapewnić wystarczające chłodzenie i nie dopuścić do przegrzania.
2. W pobliżu urządzenia nie umieszczać źródeł zapłonu, takich jak zapalone świece.
3. Nie wolno zakrywać otworów wentylacyjnych ani blokować wentylatorów.
4. Do transportu należy używać oryginalnych opakowań lub opakowań przewidzianych do tego celu przez producenta.
5. Nie narażać urządzenia na wstrząsy ani uderzenia.
6. Uwzględnić zgodnie ze specyfikacją stopień ochrony IP oraz warunki otoczenia, takie jak temperatura i wilgotność.
7. Urządzenia mogą być stale modernizowane. W przypadku rozbieżności informacji dotyczących warunków pracy, wydajności lub innych właściwości urządzenia w instrukcji obsługi i na oznaczeniu na urządzeniu zawsze pierwszeństwo mają oznaczenia na urządzeniu.
8. Urządzenie nie jest przystosowane do pracy w klimacie tropikalnym ani na wysokości powyżej 2000 m n.p.m.
9. O ile nie określono tego wyraźnie, urządzenie nie nadaje się do eksploatacji w warunkach morskich.



### WSKAZÓWKA:

W przypadku zestawów do przebudowy, doposażenia lub akcesoriów dostarczonych przez producenta należy bezwzględnie przestrzegać dołączonej instrukcji montażu.

## PRZESTROGA! WAŻNE INFORMACJE DOTYCZĄCE PRODUKTÓW OŚWIETLENIOWYCH!



1. Nigdy nie patrzeć bezpośrednio w źródło światła, nawet przez krótką chwilę.
2. Nigdy nie patrzeć w źródło światła za pomocą przyrządów optycznych, takich jak lupy.



3. Efekty stroboskopowe mogą wywoływać u wrażliwych osób ataki epileptyczne!



4. Lamy te mają zamontowane na stałe źródło światła, którego użytkownik nie może wymienić. Źródło światła w tej oprawie może być wymieniane wyłącznie przez producenta, jego partnera serwisowego lub osobę o podobnych kwalifikacjach.

## UWAGI DOTYCZĄCE PRZENOŚNEGO SPRZĘTU DO STOSOWANIA W POMIESZCZENIACH



1. Praca tymczasowa! Sprzęt do organizacji imprez jest generalnie przeznaczony do eksploatacji tymczasowej.
2. Ciągła eksploatacja lub montaż na stałe może prowadzić do pogorszenia funkcjonalności i przedwczesnego starzenia się urządzeń.

## ZAKRES DOSTAWY

Wyjąć produkt z opakowania i usunąć wszystkie materiały opakowaniowe.

Należy sprawdzić, czy przesyłka jest kompletna i nienaruszona, a w przypadku niekompletności lub uszkodzeń natychmiast powiadomić sprzedawcę.

W zakres dostawy wchodzi:

- ▶ 1 x Reflektor Cameo X3TW
- ▶ 1 kabel sieciowy
- ▶ Instrukcja obsługi

## WPROWADZENIE

PAR LED z 15 x 15 W Warm White i 16 x 15 W Cold White diodami LED CLX3TW

### FUNKCJE STEROWANIA:

1 CH, 2 CH 16 bit, 2 CH CCT, 2 CH Direct, 7 CH 16 bit sterowanie DMX

Tryb pracy master/slave

Funkcja standalone

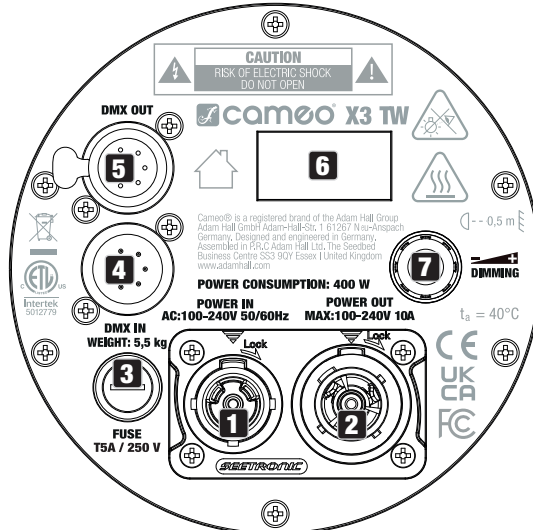
### CHARAKTERYSTYKA:

15 x 15 W diody LED o barwie Warm White i 16 x 15 W diody LED o barwie Cold White. DMX512. 5-pinowe złącza DMX. Opcja Quicklight ustawiana pokrętkiem enkodera. Napięcie robocze 100 - 240 V AC.

Reflektor może pracować w standardzie RDM (Remote Device Management). To zdalne zarządzanie urządzeniami umożliwia sprawdzanie stanu i konfigurację urządzeń końcowych RDM za pośrednictwem kontrolera obsługującego RDM, np. dostępnego opcjonalnie Cameo UNICON (numer pozycji CLIREMOTE).

Cameo UNICON umożliwia również dostęp do całego menu osprzętu.

# PRZYŁĄCZA, ELEMENTY OBSŁUGI I WSKAŹNIKI



## 1 POWER IN

Gniazdo wejściowe kompatybilne z TRUE1. Napięcie robocze 100–240 V AC / 50–60 Hz. W zestawie znajduje się także odpowiedni kabel sieciowy z wtyczką kompatybilną z TRUE1.

## 2 POWER OUT

Gniazdo wyjściowe kompatybilne z TRUE1. Źródło zasilania dodatkowych reflektorów CAMEO. Całkowity pobór prądu wszystkich podłączonych urządzeń nie może przekroczyć wartości w amperach (A) podanej na urządzeniu.

## 3 FUSE

Gniazdo na bezpieczniki 5 x 20 mm. **WAŻNA UWAGA:** Wymieniaj bezpiecznik tylko na taki, który jest tego samego typu i o tej samej wartości znamionowej. Jeżeli bezpiecznik zadziała powtórnie, należy zwrócić się do autoryzowanego centrum serwisowego.

## 4 DMX IN

5-pinowe złącze męskie XLR do podłączenia kontrolera DMX (np. pulpitu DMX).

## 5 DMX OUT

5-pinowe złącze żeńskie XLR do przekazywania sygnału sterującego DMX.



## **6 OLED-DISPLAY**

Wyświetlacz OLED pokazuje aktualnie aktywowany tryb pracy (wyświetlacz główny), pozycje menu w menu oraz wartość liczbową lub stan pracy w odpowiednich pozycjach menu. Po ok. 30 sekundach bezczynności wyświetlacz automatycznie wraca do widoku głównego. Wskazówka dotycząca wyświetlacza głównego w trybach pracy ze sterowaniem zewnętrznym: gdy tylko sygnał sterujący zostanie przerwany, znaki na wyświetlaczu zaczynają migać; gdy sygnał sterujący jest ponownie obecny, miganie ustaje.

## **7 POKRĘTŁO ENKODERA**

Za pomocą pokrętki można poruszać się w menu urządzenia i konfigurować reflektor:

Otwórz menu główne: Naciśnij enkoder

wybierz pozycję (pod)menu: Obrócić enkoder

otwórz (pod)pozycję menu: Naciśnij enkoder

Zmiana wartości lub stanu: Enkoder obrotowy

Potwierdzić zmianę: Naciśnij enkoder

Wyjście z poziomu menu: Wybierz i potwierdź symbol strzałki

## **ZABEZPIECZENIA**

Na górze i na dole reflektora znajduje się po jednym oczku bezpieczeństwa do zabezpieczenia reflektora przy montażu nad głową.

## OBŚLUGA

### UWAGI

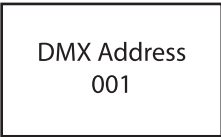
- Po prawidłowym podłączeniu reflektora do sieci zasilania podczas uruchamiania jest wyświetlana następująca sekwencja komunikatów: „Update wait...” (tylko do celów serwisowych), „Welcome to Cameo”, nazwa modelu oraz wersja oprogramowania. Następnie reflektor jest gotowy do pracy w ostatnio wybranym trybie.
- Jeśli przez około 30 sekund nie nastąpi wprowadzenie żadnych danych, automatycznie włączy się widok główny.
- Jeśli jeden z trybów pracy DMX jest aktywny, a na wejściu DMX nie ma sygnału DMX, znaki na wyświetlaczu zaczynają migać. Obrót enkodera aktywuje teraz tryb Quicklight i można ustawić całkowitą jasność w zakresie od 000 do 255 zgodnie z życzeniem (CW i WW każdy preset na wartość 255).



Quicklight  
255

### EKRAN GŁÓWNY WYŚWIETLACZA

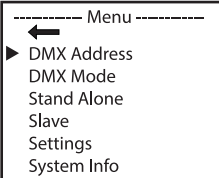
Główny wyświetlacz pokazuje aktualnie aktywowany tryb pracy (w przykładzie tryb pracy DMX z adresem startowym DMX 001).



DMX Address  
001

### USTAWIANIE ADRESU STARTOWEGO DMX (DMX Address)

Rozpoczynając od ekranu głównego, należy nacisnąć pokrętkę enkodera, aby wejść do menu głównego. Teraz wybierz punkt menu **Adres DMX** i potwierdź. Ustawić żądany adres startowy DMX i potwierdzić wpis (najwyższa wartość zależy od aktualnie ustawionego trybu pracy DMX).



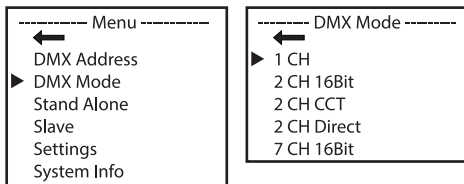
----- Menu -----  
←  
▶ DMX Address  
DMX Mode  
Stand Alone  
Slave  
Settings  
System Info



----- DMX Address -----  
001

## USTAWIANIE TRYBU DMX (DMX Mode)

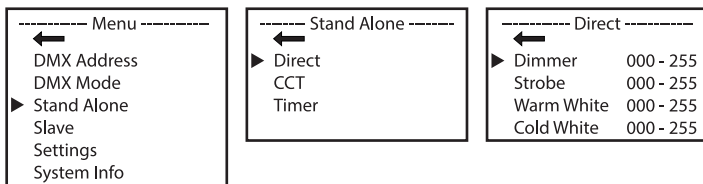
Rozpoczynając od ekranu głównego, należy nacisnąć pokrętkę enkodera, aby wejść do menu głównego. Teraz wybierz punkt menu **DMX Mode** i potwierdź. Wybrać żądany tryb pracy DMX i potwierdzić wybór. Tabele z przyporządkowaniem poszczególnych kanałów DMX zamieszczono w niniejszej instrukcji w punkcie STEROWANIE DMX.



## USTAWIANIE TRYBU PRACY STANDALONE DIRECT

Tryb Stand-Alone Direct pozwala na ustawienie parametrów ściemniacza, strobo, Warm White i Cold White bezpośrednio na urządzeniu, podobnie jak w przypadku sterownika DMX. Dzięki temu można stworzyć indywidualną scenę bez dodatkowego kontrolera DMX.

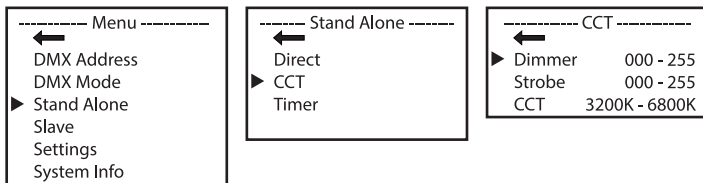
Rozpoczynając od ekranu głównego, należy nacisnąć pokrętkę enkodera, aby wejść do menu głównego. Teraz wybierz pozycję menu **Stand Alone**, potwierdź, a następnie wybierz **Direct** i potwierdź ponownie. Teraz należy wybrać pozycję menu, która ma być edytowana i potwierdzić wybór. Ustawić żadaną wartość i potwierdzić wpis. Wartości dla efektu stroboskopowego odpowiadają wartościom w kanale 3 tabeli DMX 7 CH 16 bit.



## TRYB PRACY STAND-ALONE CCT (Correlated Colour Temperature)

Ustawić ściemniacz, stroboskop i temperaturę barwową zgodnie z życzeniem.

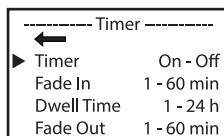
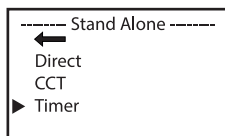
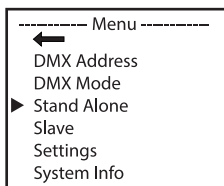
Rozpoczynając od ekranu głównego, należy nacisnąć pokrętkę enkodera, aby wejść do menu głównego. Teraz wybierz pozycję menu **Stand Alone**, zatwierdź, następnie wybierz **CCT** i ponownie zatwierdź. Teraz należy wybrać pozycję menu, która ma być edytowana i potwierdzić wybór. Ustawić żadaną wartość i potwierdzić wpis. Wartości dla efektu stroboskopowego odpowiadają wartościom w kanale 3 tabeli DMX 7 CH 16 bit.



## FUNKCJA TIMERA

Funkcja timera umożliwi sterowanie czasowe trybami samodzielnymi **Direct** i **CCT** w taki sposób, że czas zaniku (Fade In) można ustawić w zakresie od 1 do 60 minut, czas przebywania (Dwell Time) od 1 do 24 godzin, a czas zaniku (Fade Out) od 1 do 60 minut. Sterowanie czasowe rozpoczyna się natychmiast po włączeniu funkcji timera w uprzednio aktywnym trybie autonomicznym i pozostaje aktywne nawet po wyłączeniu i ponownym uruchomieniu reflektora.

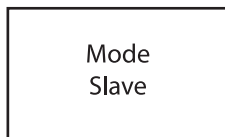
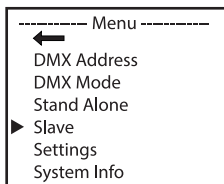
Rozpoczynając od ekranu głównego, należy nacisnąć pokrętkę enkodera, aby wejść do menu głównego. Wybrać pozycję menu **Stand Alone**, potwierdzić, a następnie wybrać **Timer** i ponownie potwierdzić. Teraz wybierz **Fade In**, **Dwell Time** lub **Fade Out** dla poszczególnych ustawień i zatwierdź. Na wyświetlaczu pojawia się w każdym przypadku pole liczbowe, a obracając enkoder można ustawić dowolną wartość od 1 do 60 lub 1 do 24. Potwierdź ponownie. Po dokonaniu wszystkich ustawień zgodnie z życzeniem, aktywować funkcję timera wybierając pozycję podmenu Timer **On/Off**, potwierdzić, wybrać **On** i ponownie potwierdzić (aby wyłączyć funkcję timera, proszę wybrać **Off** i potwierdzić).



Uwaga: Funkcja timera nadaje się do zastosowania w trybie master/slave za pośrednictwem kabla.

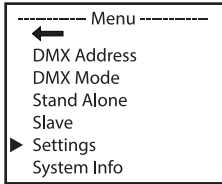
## TRYB SLAVE

Rozpoczynając od ekranu głównego, należy nacisnąć pokrętkę enkodera, aby wejść do menu głównego. Wybrać punkt menu **Slave** i potwierdzić wybór. Połączyć jednostkę slave i master (ten sam model, ta sama wersja oprogramowania) kablem DMX i włączyć w jednostce master jeden z trybów pracy standalone (Direct, CCT, Loop). Praca urządzenia slave jest teraz dokładnie dostosowana do pracy urządzenia master.



## USTAWIENIA SYSTEMU (Settings)

Rozpoczynając od ekranu głównego, należy nacisnąć pokrętkę enkodera, aby wejść do menu głównego. Wybrać pozycję menu **Ustawienia** i potwierdzić wybór.



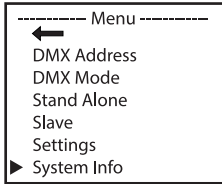
Następuje przejście do podmenu do ustawiania pozycji podmenu, patrz tabela (wybór przez obrócenie enkodera, potwierdzenie przez naciśnięcie, zmiana wartości lub stanu przez obrócenie, potwierdzenie przez naciśnięcie).

Ustawienia				
Display Reverse	=	Obracanie widoku wyświetlacza	OFF	Brak możliwości obrotu wyświetlacza
			ON	Obrócenie obrazu wyświetlacza o 180° (np. przy montażu urządzenia „do góry nogami”)
Display Off Timer	=	Podświetlenie wyświetlacza	Wył. po 20s	Wyłączenie po ok. 20 sekundach bezczynności
			Zawsze włączony	Wyświetlacz stale włączony
DMX Fail	=	Stan roboczy w przypadku przerwania sygnału DMX	Hold	Zachowuje ostatnie polecenie
			Blackout	Aktywuje wygaszenie reflektora
			Full	Full On = maksymalna jasność
			Stand Alone	Aktywowany jest tryb Stand Alone Direct
Dimmer Curve	=	Krzywa regulacji ściemniacza	Linear	Natężenie światła wzrasta liniowo wraz ze wzrostem wartości DMX
			Exponential	Natężenie światła można ustawić precyzyjnie w dolnym zakresie wartości DMX oraz zgrubnie w górnym zakresie wartości DMX
			Logarithmic	Natężenie światła można ustawić zgrubnie w dolnym zakresie wartości DMX oraz precyzyjnie w górnym zakresie wartości DMX
			S-Curve	Natężenie światła można ustawić precyzyjnie w górnym i dolnym zakresie wartości DMX oraz zgrubnie w środkowym zakresie wartości DMX

Constant Brightness	=	Stała jasność przy przechodzeniu z ciepłej bieli do chłodnej bieli i odwrotnie	ON	Funkcja włączona
			Off	Funkcja wyłączona
Dimmer Response	=	Charakterystyka ściemniania	LED	Reflektor reaguje natychmiast na zmianę wartości DMX
			Halogen	Reflektor reaguje subtelnymi zmianami jasności, podobnie jak reflektor halogenowy
PWM Frequency	=	Częstotliwość PWM diody LED	650 Hz, 1530 Hz, 3600 Hz, 12 000 Hz, 18 900 Hz, 25 000 Hz	Regulacja częstotliwości PWM diody LED
Fan	=	Sterowanie wentylatorem	Auto	Automatyczna regulacja mocy wentylatora
			Off	Wentylator wyłączony przy znacznej redukcji jasności
			Constant High	Stała wysoka prędkość wentylatora
			Constant Medium	Stała średnia prędkość wentylatora przy zredukowanej jasności, w razie potrzeby
			Constant Low	Stała niska prędkość wentylatora przy zredukowanej jasności, w razie potrzeby
Calibration	=	Kalibracja ciepłej bieli i zimnej bieli	Warm White	Indywidualna kalibracja ciepłej bieli i zimnej bieli. Ustawienie jasności dla wszystkich trybów pracy z wartościami od 000–255
			Cold White	
Factory Reset	=	Przywracanie ustawień fabrycznych	Reset Now? Yes / No	Resetuj za pomocą Yes, anuluj za pomocą No
Service Timer Reset	=	Resetowanie timera serwisowego	Reset Now? Yes / No	Resetuj za pomocą Yes, anuluj za pomocą No

## INFORMACJE O SYSTEMIE (System Info)

Rozpoczynając od ekranu głównego, należy nacisnąć pokrętkę enkodera, aby wejść do menu głównego. Wybrać pozycję menu System Info i potwierdzić wybór.



Spowoduje to przejście do podmenu umożliwiającego wywołanie informacji systemowych (patrz tabela):

System Info				
Firmware	=	Wyświetlanie oprogramowania sprzętowego	Główny procesor CPU V1.xx	
Temperatura	=	Wyświetlanie temperatury modułu LED	Temperatura	LED xx°C / xx°F
			Jednostka temperatury	°C (= wskazanie w stopniach Celsjusza) °F (= wskazanie w stopniach Fahrenheita)
Operation Hours	=	Wyświetlanie czasu pracy	Czas pracy urządzenia xx:xxh	Wyświetlanie czasu pracy urządzenia w godzinach i minutach
			LED Operation Time xx:xxh	Wyświetlanie czasu pracy diody LED w godzinach i minutach
			Service Time	Wskazanie czasu pracy urządzenia od ostatniego resetu timera serwisowego w godzinach i minutach

## MONTAŻ

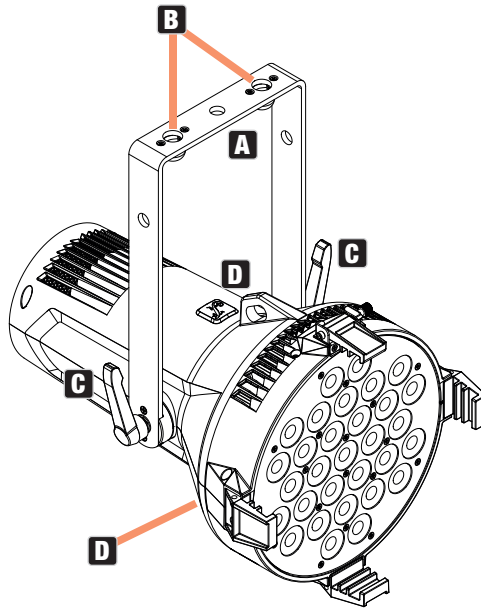


**NIEBEZPIECZEŃSTWO :** Montaż na wysokości wymaga dużego doświadczenia w zakresie obliczania limitów obciążenia, stosowanych materiałów instalacyjnych oraz okresowych przeglądów bezpieczeństwa wszystkich materiałów instalacyjnych i reflektorów. Użytkownik bez odpowiednich kwalifikacji nie powinien wykonywać instalacji samodzielnie, lecz skorzystać z pomocy profesjonalnej firmy. Istnieje ryzyko, że nieprawidłowo zamontowane i niezabezpieczone urządzenia poluzują się i spadną. Może to spowodować poważne obrażenia ciała lub śmierć.

Zamontować odpowiedni zacisk kratownicowy bezpośrednio na wsporniku U (rys. A). Do wspornika U można również zamocować dostępny opcjonalnie wspornik Omega (rys. B). Aby zamontować urządzenie na kratownicy, konieczny jest zacisk do kratownic. Odpowiednie zaciski do trawersów są dostępne jako opcja.

Poluzować dwie dźwignie zaciskowe po bokach reflektora (rys. C), aby wyregulować kierunek wiązki światła na płaszczyźnie pionowej i po wyregulowaniu ponownie dokręcić dwie dźwignie zaciskowe.

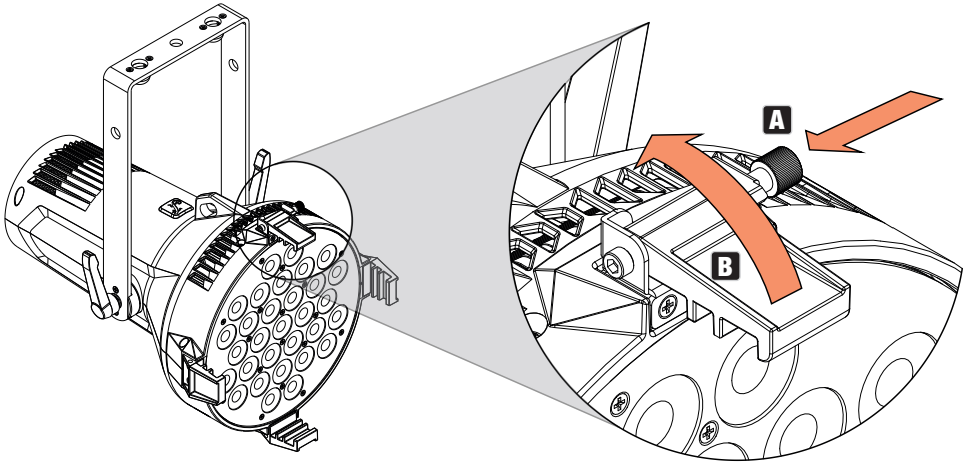
Zawsze zapewnij mocne połączenia i zabezpiecz reflektor odpowiednią linką bezpieczeństwa, w zależności od sytuacji, do oczka bezpieczeństwa na górze lub na dole reflektora (Rys. D).





## MONTAŻ DYFUZORA LUB SKRZYDEŁ OGRANICZAJĄCYCH

Aby zamontować dostępną opcjonalnie soczewkę rozpraszającą (lub skrzydła ograniczające), naciśnij sprężynujący trzpień blokujący w górnej części reflektora (rys. A). Uchwyt składa się teraz automatycznie do góry (Rys. B). Wsunąć nawiewnik (lub ogranicznik skrzydła) od góry w rowki wsporników bocznych i dolnych.



Teraz złóż sprężynujący wspornik na górze reflektora z powrotem w dół, upewniając się, że trzpień blokujący zatrzasnął się prawidłowo.

## AKCESORIA DODATKOWE

### 4-segmentowe skrzydła ograniczające

CLX3BARNDOR



### Dyfuzyory

CLX31060LENS (10° x 60°)

CLX320LENS (20°)

CLX350LENS (50°)

CLX380LENS (80°)



### Wspornik Omega

CLOMEGABRACKET1



- Ilustracje podobne -

## CZYSZCZENIE, KONSERWACJA I NAPRAWY

Aby zapewnić bezawaryjne działanie urządzenia przez długi czas, należy je regularnie czyścić i w razie potrzeby serwisować. Konieczność czyszczenia lub konserwacji zależy od intensywności użytkowania i rodzaju otoczenia.

Generalnie zalecamy kontrolę wzrokową przed każdym uruchomieniem. Ponadto zalecamy przeprowadzanie wszystkich wymienionych poniżej i odpowiednich czynności konserwacyjnych co 500 godzin pracy lub – w przypadku mniejszej intensywności użytkowania — najpóźniej po upływie jednego roku. W przypadku usterek spowodowanych niedostateczną konserwacją może dojść do ograniczenia roszczeń gwarancyjnych.

### CZYSZCZENIE (wykonywane przez użytkownika)



**UWAGA!** Przed rozpoczęciem wszelkich prac związanych z czyszczeniem należy odłączyć zasilanie i w miarę możliwości wszystkie połączenia.



**WSKAZÓWKA!** Niewłaściwe czyszczenie może doprowadzić do uszkodzenia urządzenia, a nawet jego zniszczenia.

1. Powierzchnie obudowy należy czyścić czystą, wilgotną ściereczką. Należy przy tym uważać, aby do urządzenia nie dostała się wilgoć.
2. Otwory wlotowe i wylotowe powietrza muszą być regularnie czyszczone z pyłu i brudu. W przypadku zastosowania sprężonego powietrza należy uważać, aby nie uszkodzić urządzenia (np. wentylatory muszą być zablokowane).
3. Przewody i styki wtykowe należy regularnie czyścić i usuwać z nich pył i zabrudzenia.
4. Do pielęgnacji nie wolno stosować środków czyszczących ani środków o działaniu ściernym, w przeciwnym razie może dojść do pogorszenia jakości powierzchni.
5. Urządzenia należy przechowywać w suchym miejscu oraz chronić je przed kurzem i brudem.

### KONSERWACJA I NAPRAWA (tylko przez wykwalifikowany personel)



**NIEBEZPIECZEŃSTWO!** W urządzeniu znajdują się elementy będące pod napięciem. Nawet po odłączeniu od sieci w urządzeniu może jeszcze występować napięcie resztkowe, np. z powodu naładowanych kondensatorów.



**WSKAZÓWKA!** W urządzeniu nie ma żadnych podzespołów, które mogą być serwisowane przez użytkownika.

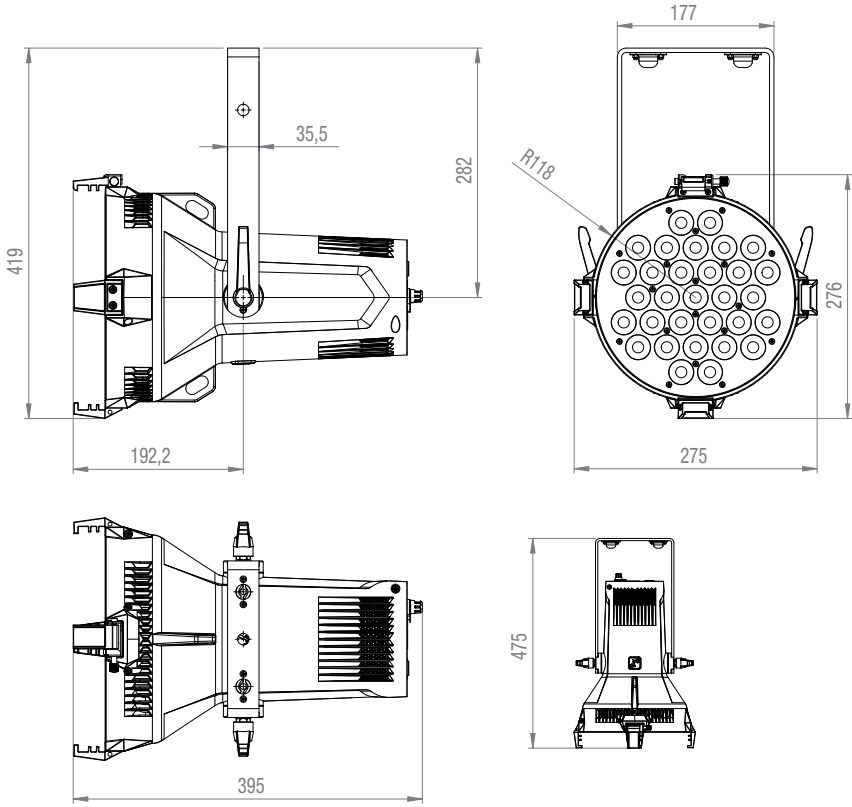


**WSKAZÓWKA!** Prace konserwacyjne i naprawcze mogą być wykonywane wyłącznie przez wyspecjalizowany personel upoważniony przez producenta. W razie wątpliwości skontaktować się z producentem.



**WSKAZÓWKA!** Nieprawidłowo wykonane czynności konserwacyjne mogą spowodować utratę roszczeń z tytułu rękojmi.

# ABMESSUNGEN (mm)



ENGLISH

DEUTSCH

FRANCAIS

ESPAÑOL

POLSKI

ITALIANO

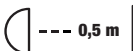
DMX

## DANE TECHNICZNE

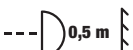
<b>Numer artykułu:</b>	<b>CLX3TW</b>
Rodzaj produktu:	Reflektor LED
Typ:	Lampa pomiarowa
Spektrum kolorów:	Tunable White
Liczba diod LED:	16 x CW + 15 x WW
Typ diod LED:	15 W
Częstotliwość PWM diody LED:	650 Hz, 1530 Hz, 3600 Hz, 12 kHz; 18,9 kHz, 25 kHz (regulowana)
Kąt półrozproszenia (dzieliąta część kąta rozproszenia):	8° (16,5°)
Wejście sygnału sterującego:	5-pinowy XLR męski
Wyjście sygnału sterującego:	5-pinowy XLR żeński
Funkcje DMX:	Ściemniacz, stroboskop, ciepła biel, zimna biel, CCT, ustawienia urządzenia
Protokoły kontroli:	DMX512, RDM
Funkcje standalone:	Direct, CCT, Timer
Display	OLED
Elementy kontroli:	Pokrętko enkodera
Napięcie robocze:	100–240 V AC / 50–60 Hz
Pobór mocy:	400 W
Power Out:	maks. 10 A
Natężenie światła (w odległości 3 m):	50000 lx
Temperatura barwowa:	3200K - 6800K
Strumień świetlny:	Full On: 21000 lm WW: 9700 lm CW: 12000 lm
CRI:	>83
Złącze zasilania elektrycznego:	Gniazda kompatybilne z TRUE1 (IN + OUT)
Stopień ochrony IP	IP20
Temperatura otoczenia (w czasie pracy):	0 °C-40 °C
Minimalny odstęp od oświetlonej powierzchni	0,5 m
Minimalny odstęp od materiałów normalnie palnych	0,5 m
Kolor obudowy:	Czarny

Materiał obudowy:	Stop magnezu
Chłodzenie:	Wentylator sterowany temperaturą
Wymiary (szer. x wys. x gł., bez uchwytu montażowego):	275 x 276 x 395 mm
Masa:	5,5 kg
Akcesoria zawarte w zestawie:	1 kabel sieciowy
Akcesoria (opcjonalne):	Soczewki rozpraszające 20°, 50°, 80°, 60° x 10°; Uchwyt Omega; Skrzydła ograniczające

## MINIMALNA ODLEGŁOŚĆ OD POWIERZCHNI OŚWIETLANEJ

 Ten symbol z informacją o odległości w metrach (m) wskazuje minimalną odległość oprawy od powierzchni oświetlanej. W tym przykładzie odległość wynosi 0,5 m. Wartość obowiązującą dla tego urządzenia należy odczytać z danych technicznych zawartych w niniejszej instrukcji oraz z nadruku na obudowie urządzenia!

## MINIMALNA ODLEGŁOŚĆ OD NORMALNIE ŁATWOPALNYCH MATERIAŁÓW

 Ten symbol z informacją o odległości w metrach (m) wskazuje minimalną odległość urządzenia od normalnie łatwopalnych materiałów. W tym przykładzie odległość wynosi 0,5 m. Wartość obowiązującą dla tego urządzenia należy odczytać z danych technicznych w niniejszej instrukcji!

## UTYLIZACJA



### OPAKOWANIE:

Opakowania można oddać do recyklingu, wykorzystując zwykłe drogi utylizacji.

Opakowanie należy segregować zgodnie z obowiązującymi w danym kraju przepisami dotyczącymi utylizacji.



### URZĄDZENIE:

1. To urządzenie podlega obowiązującej dyrektywie europejskiej w sprawie zużytego sprzętu elektrycznego i elektronicznego. Dyrektywa WEEE (w sprawie zużytego sprzętu elektrycznego i elektronicznego). Nie wyrzucać zużytych urządzeń wraz z odpadami z gospodarstwa domowego. Zużyte urządzenie należy zutylizować w autoryzowanym zakładzie utylizacji odpadów lub komunalnym zakładzie utylizacji odpadów. Należy przestrzegać przepisów obowiązujących w danym kraju!
2. Przestrzegać wszystkich przepisów dotyczących usuwania odpadów obowiązujących w kraju użytkowania.
3. Klient prywatny otrzyma informacje na temat przyjaznych dla środowiska sposobów usunięcia produktu od sprzedawcy, u którego zakupił produkt, lub od właściwych władz lokalnych.

## OŚWIADCZENIA PRODUCENTA

### Gwarancja producenta i ograniczenie odpowiedzialności

Adam Hall GmbH, Adam-Hall-Str. 1, D-61267 Neu Anspach

E-mail [Info@adamhall.com](mailto:Info@adamhall.com) / +49 (0)6081 / 9419-0.

Nasze aktualne warunki gwarancji oraz informację o ograniczeniu odpowiedzialności można znaleźć na stronie internetowej:

[https://cdn-shop.adamhall.com/media/pdf/Manufacturers-Declarations-CAMEO\\_DE\\_EN\\_ES\\_FR.pdf](https://cdn-shop.adamhall.com/media/pdf/Manufacturers-Declarations-CAMEO_DE_EN_ES_FR.pdf)

W sprawie serwisu należy skontaktować się ze sprzedawcą.

### Zgodność CE

Adam Hall GmbH oświadcza niniejszym, że produkt ten jest zgodny z następującą dyrektywą (w stosownych przypadkach):

Dyrektywa niskonapięciowa (2014/35/UE)

Dyrektywa EMC (2014/30/UE)

RoHS (2011/65/UE)

RED (2014/53/UE)

### Deklaracja zgodności UE

Deklaracje zgodności dla produktów podlegających dyrektywom LVD, EMC i RoHS można uzyskać pod adresem [info@adamhall.com](mailto:info@adamhall.com).

Deklaracje zgodności dla produktów podlegających dyrektywie RED można pobrać ze strony [www.adamhall.com/compliance/](http://www.adamhall.com/compliance/).

**Błędy w druku i pomyłki oraz zmiany techniczne zastrzeżone!**

**OTTIMA SCELTA!**

Questo dispositivo è stato sviluppato e prodotto in conformità con elevati standard qualitativi che ne garantiscono il regolare funzionamento per molti anni. Leggere attentamente questo manuale d'istruzioni per utilizzare subito al meglio il nuovo prodotto Cameo Light. Per maggiori informazioni su Cameo Light, consultare il nostro sito web **CAMEOLIGHT.COM**.

**INFORMAZIONI SU QUESTO MANUALE D'ISTRUZIONI**

- Prima di mettere in funzione il dispositivo, leggere attentamente le indicazioni sulla sicurezza e tutto il manuale di istruzioni.
- Rispettare le avvertenze riportate sul dispositivo e nel manuale d'istruzioni.
- Tenere sempre a portata di mano il manuale d'istruzioni.
- Se si vende o si cede il dispositivo, aver cura di consegnare anche questo manuale d'istruzioni, che è parte essenziale del prodotto.

**USO CONFORME**

Questo prodotto è un dispositivo per la tecnologia per eventi.

È stato sviluppato per l'uso professionale nell'ambito della tecnologia per eventi e non è adatto per l'illuminazione domestica.

Questo prodotto inoltre è destinato esclusivamente a utenti qualificati e con conoscenze specialistiche in materia di tecnologia per eventi.

Utilizzare il prodotto senza rispettare le condizioni di esercizio e i dati tecnici specificati si considera non conforme all'uso previsto.

Si esclude qualsiasi responsabilità per lesioni a persone e danni a cose causati da uso non conforme.

Il prodotto non è adatto a:

- Persone (compresi i bambini) con capacità fisiche, sensoriali o psichiche ridotte o non provviste delle necessarie conoscenze ed esperienze.
- Bambini (ai bambini deve essere insegnato a non giocare con il dispositivo).

**SPIEGAZIONE DI TERMINI E SIMBOLI**

1. **PERICOLO:** la parola PERICOLO, eventualmente abbinata a un simbolo, indica situazioni o condizioni immediatamente pericolose per l'incolumità.
2. **AVVERTENZA:** la parola AVVERTENZA, eventualmente abbinata a un simbolo, indica situazioni o condizioni potenzialmente pericolose per l'incolumità.
3. **CAUTELA:** la parola CAUTELA, eventualmente abbinata a un simbolo, indica situazioni o condizioni che possono provocare lesioni.
4. **ATTENZIONE:** la parola ATTENZIONE, eventualmente abbinata a un simbolo, indica situazioni o condizioni che possono provocare danni alle cose e/o all'ambiente.



Questo simbolo indica pericoli che possono causare scosse elettriche.



Questo simbolo indica punti di pericolo o situazioni pericolose.



Questo simbolo indica pericoli dovuti a superfici calde.



Questo simbolo indica pericoli dovuti a sorgenti luminose intense.



Questo simbolo indica un dispositivo che non contiene parti sostituibili dall'utente.



Questo simbolo indica informazioni complementari sull'utilizzo del prodotto.

## INDICAZIONI SULLA SICUREZZA



### PERICOLO

1. Non aprire né modificare il dispositivo.
2. Se il dispositivo non funzionasse più correttamente, vi fossero caduti sopra dei liquidi o degli oggetti, o se fosse stato danneggiato in altro modo, spegnerlo immediatamente e staccarlo dall'alimentazione elettrica. La riparazione del dispositivo deve essere affidata esclusivamente a personale qualificato autorizzato.
3. Nei dispositivi con classe di protezione 1, il conduttore di protezione deve essere collegato correttamente. Non disattivare mai il conduttore di protezione. I dispositivi con classe di protezione 2 non hanno il conduttore di protezione.
4. Assicurarsi che i cavi sotto tensione non siano piegati o riportino altri danni di tipo meccanico.
5. Non bypassare mai il fusibile del dispositivo.



### AVVERTENZA

1. Il dispositivo non deve essere messo in funzione se presenta danni evidenti.
2. Il dispositivo deve essere installato solo in assenza di tensione.
3. Il dispositivo non deve essere messo in funzione se il cavo di alimentazione è danneggiato.
4. I cavi di alimentazione fissi devono essere sostituiti solo da personale qualificato.





## ATTENZIONE

1. Non mettere in funzione il dispositivo se ha subito forti sbalzi di temperatura (ad esempio dopo il trasporto). Umidità e condensa potrebbero danneggiare il dispositivo. Accendere il dispositivo solo dopo che ha raggiunto la temperatura ambiente.
2. Verificare che la tensione e la frequenza della rete elettrica corrispondano ai valori indicati sul dispositivo. Se il dispositivo è dotato di selettore di tensione, collegare il dispositivo solo dopo aver impostato il selettore correttamente. Utilizzare esclusivamente cavi di alimentazione adatti.
3. Per scollegare dalla rete elettrica tutti i poli del dispositivo, non è sufficiente premere l'interruttore di accensione/spengimento del dispositivo.
4. Assicurarsi che il fusibile utilizzato corrisponda al tipo stampato sul dispositivo.
5. Accertarsi che siano state adottate misure adeguate contro la sovratensione (ad es. fulmini).
6. Rispettare la corrente di uscita massima indicata sui dispositivi con collegamento Power Out. Assicurarsi che la potenza assorbita complessivamente da tutti i dispositivi collegati non superi il valore indicato.
7. Sostituire i cavi di alimentazione a innesto esclusivamente con cavi originali.



## PERICOLO

1. Pericolo di soffocamento! I sacchetti di plastica e i componenti minuti devono essere tenuti fuori dalla portata delle persone (inclusi i bambini) con limitate capacità fisiche, sensoriali o mentali.
2. Pericolo di caduta! Verificare che il dispositivo sia montato in modo stabile e non possa cadere. Utilizzare esclusivamente stativi e dispositivi di fissaggio adatti (in particolare nel caso di impianti fissi). Assicurarsi che gli accessori siano installati e fissati correttamente. Aver cura di rispettare le disposizioni di sicurezza in vigore.



## AVVERTENZA

1. Utilizzare il dispositivo unicamente nelle modalità previste.
2. Azionare il dispositivo esclusivamente con gli accessori consigliati e previsti dal produttore.
3. Durante l'installazione, osservare le normative sulla sicurezza in vigore nel proprio Paese.
4. Una volta collegato il dispositivo, verificare tutti i cavi per evitare danni o incidenti, ad esempio per inciampo.
5. Rispettare assolutamente la distanza minima indicata per i materiali normalmente infiammabili! Salvo diversa ed esplicita indicazione, la distanza minima è 0,3 m.



### CAUTELA

1. I componenti mobili, come le staffe di montaggio o componenti mobili di altro tipo, comportano il rischio di schiacciamento.
2. Nei dispositivi con componenti azionati a motore sussiste il pericolo di lesioni provocate dal movimento del dispositivo stesso. Movimenti improvvisi del dispositivo possono causare reazioni da shock.
3. Durante il normale funzionamento, la superficie dell'alloggiamento del dispositivo può raggiungere temperature molto elevate. Fare in modo che sia escluso il contatto accidentale con l'alloggiamento. Lasciare sempre raffreddare a sufficienza il dispositivo prima di smontarlo, eseguire lavori di manutenzione, ricaricarlo ecc.



### ATTENZIONE



1. Non installare né azionare il dispositivo in prossimità di radiatori, accumulatori termici, stufe o altre fonti di calore. Accertarsi che il dispositivo sia sempre installato in modo che venga raffreddato a sufficienza e non possa surriscaldarsi.
2. Non posizionare fonti di accensione, come candele accese, in prossimità del dispositivo.
3. Le fessure di ventilazione non devono essere coperte e le ventole non devono essere bloccate.
4. Per il trasporto utilizzare l'imballaggio originale o imballaggi previsti dal produttore.
5. Non sottoporre il dispositivo a urti o scossoni.
6. Rispettare la classe di protezione IP e le condizioni ambientali, come la temperatura e l'umidità dell'aria, secondo la specifica.
7. I dispositivi possono essere continuamente perfezionati. Se le indicazioni relative alle condizioni di funzionamento, alle prestazioni, o ad altre caratteristiche del dispositivo riportate nel manuale di istruzioni differiscono da quelle apposte sul dispositivo, hanno sempre priorità quelle sul dispositivo.
8. Il dispositivo non è adatto a climi tropicali né all'utilizzo a oltre 2.000 m sul livello del mare.
9. Salvo diversa indicazione esplicita, il dispositivo non è idoneo all'utilizzo in ambiente marino.



### NOTA

Nel caso di set di conversione o retrofit, oppure di accessori forniti dal produttore, seguire sempre il manuale di istruzioni accluso.

## **CAUTELA! INDICAZIONI IMPORTANTI RELATIVE AI PRODOTTI DI ILLUMINAZIONE!**



1. Non fissare mai direttamente la sorgente luminosa, nemmeno per brevi istanti.
2. Non guardare mai la sorgente luminosa con dispositivi ottici come le lenti d'ingrandimento.



3. In alcuni casi, gli effetti stroboscopici possono causare attacchi epilettici alle persone sensibili!



4. In queste lampade sono installate lampadine fisse che non devono essere sostituite dall'utente. La sorgente luminosa contenuta in questa lampada può essere sostituita solo dal produttore, da un suo partner di assistenza o da una persona con qualifica analoga.

## **AVVERTENZE PER DISPOSITIVI PORTATILI PER INTERNI**



1. Utilizzo temporaneo! Le attrezzature per eventi sono concepite esclusivamente per un uso provvisorio.
2. L'uso continuato o l'installazione fissa possono compromettere il funzionamento e causare l'usura precoce del dispositivo.

## DOTAZIONE

Estrarre il prodotto dalla confezione e rimuovere tutto il materiale di imballaggio.

Verificare la completezza e l'integrità della consegna e informare il proprio distributore di fiducia immediatamente dopo l'acquisto in caso di consegna incompleta o danneggiata.

In dotazione con il prodotto viene fornito:

- ▶ 1 faro Cameo X3TW
- ▶ 1 cavo di alimentazione
- ▶ Manuale d'istruzioni

## INTRODUZIONE

PAR LED con 15 LED da 15 W bianco caldo e 16 LED da 15 W bianco freddo  
CLX3TW

## FUNZIONI DI COMANDO

Controllo DMX 1 CH, 2 CH 16 bit, 2 CH CCT, 2 CH Direct, 7 CH 16 bit

Funzionamento master/slave

Modalità standalone

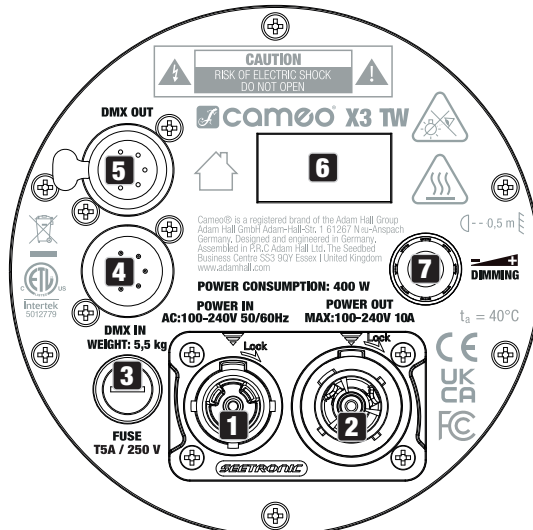
## CARATTERISTICHE:

15 LED da 15 W bianco caldo e 16 LED da 15 W bianco freddo. DMX512. Connessioni DM a 5 poli. Quicklight tramite codificatore a manopola a pressione. Tensione di esercizio 100-240 V CA.

Il faro è conforme allo standard RDM (Remote Device Management). Questa gestione a distanza dei dispositivi consente di consultare lo stato e di configurare i terminali RDM tramite un controller compatibile con RDM, come il Cameo UNICON acquistabile come optional (codice articolo CLIREMOTE).

Cameo UNICON consente inoltre di accedere al tutto il menu del faro.

# CONNESSIONI, ELEMENTI DI COMANDO E VISUALIZZAZIONE



## 1 POWER IN

Preso di ingresso compatibile con TRUE1. Tensione di esercizio 100-240 V AC, 50/60 Hz. Viene fornito in dotazione un cavo di alimentazione adatto con connettore compatibile con TRUE1.

## 2 POWER OUT

Preso di uscita compatibile con TRUE1. Serve per l'alimentazione elettrica di altri fari CAMEO. Assicurarsi che il totale della potenza assorbita di tutti i dispositivi collegati all'apparecchio non superi il valore indicato in ampere (A).

## 3 FUSE

Portafusibili per 5 fusibili da 20 mm. **NOTA IMPORTANTE:** sostituire il fusibile solo con uno dello stesso tipo e con gli stessi valori. Se il fusibile continua a saltare, rivolgersi a un centro di assistenza autorizzato.

## 4 DMX IN

Preso XLR maschio a 5 poli per il collegamento di un apparecchio di controllo DMX (ad esempio mixer DMX).

## 5 DMX OUT

Preso XLR femmina a 5 poli per l'inoltro del segnale di controllo DMX.

## **6 DISPLAY OLED**

Il display OLED mostra la modalità operativa in uso (schermata principale), le voci di menu e il valore numerico o lo stato operativo delle voci di menu corrispondenti. Se entro circa 30 secondi non si effettuano inserimenti, sul display appare automaticamente la schermata principale. Nota sulla schermata principale nelle modalità operative con controllo esterno: non appena il segnale di comando si interrompe, i caratteri del display iniziano a lampeggiare. Il lampeggiamento cessa quando il segnale di controllo si ripristina.

## **7 CODIFICATORE A MANOPOLA A PRESSIONE**

Utilizzare il codificatore a manopola a pressione per navigare nel menu del dispositivo e configurare il faro.

Per aprire il menu principale: premere il codificatore

Per selezionare la voce di (sotto)menu: ruotare il codificatore

Per aprire la voce di (sotto)menu: premere il codificatore

Per modificare il valore o lo stato: ruotare il codificatore

Per confermare la modifica: premere il codificatore

Per uscire dal livello di menu: selezionare e confermare il simbolo freccia

## **OCCHIELLO DI SICUREZZA**

Sui lati superiore e inferiore del faro c'è un occhietto di sicurezza che consente di fissare il faro nel montaggio sopratesta.

## UTILIZZO

### OSSERVAZIONI

- Non appena il faro è correttamente allacciato alla rete elettrica, durante il processo di avvio sul display appaiono in successione i messaggi: “Update wait...” (solo per manutenzione), “Welcome to Cameo”, l’indicazione del modello e la versione del software. Al termine della procedura, il faro è pronto per essere utilizzato e si avvia la modalità operativa attivata in precedenza.
- Se entro circa 30 secondi non viene effettuato alcun inserimento, si attiva automaticamente la videata principale.
- Se una delle modalità DMX è attiva e non ci sono segnali DMX sull’ingresso DMX, i caratteri del display iniziano a lampeggiare. Ruotando il codificatore, si attiva la modalità Quicklight e si può impostare a piacere la luminosità complessiva su un valore compreso tra 000 e 255 (CW e WW preimpostati su 255).

Quicklight  
255

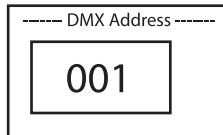
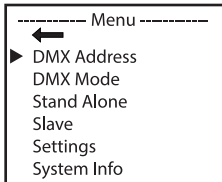
### VIDEATA PRINCIPALE DEL DISPLAY

La schermata principale mostra la modalità operativa attualmente attiva (nell’esempio, la modalità DMX con indirizzo di avvio DMX 001).

DMX Address  
001

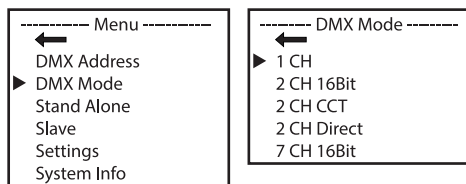
### IMPOSTAZIONE DELL'INDIRIZZO DI AVVIO (DMX Address)

Premendo sul codificatore, dalla schermata principale si accede al menu principale. Selezionare ora la voce di menu **DMX Address** e confermare. Impostare l’indirizzo di avvio DMX desiderato e confermare l’inserimento (il valore più alto dipende dalla modalità DMX attualmente impostata).



## IMPOSTAZIONE DELLA MODALITÀ DMX (DMX Mode)

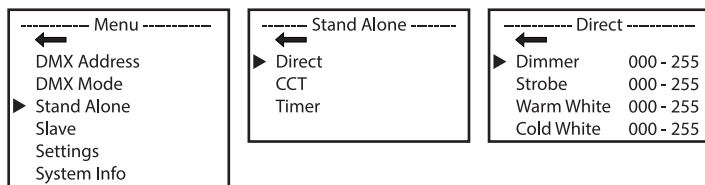
Premendo sul codificatore, dalla schermata principale si accede al menu principale. Selezionare ora la voce di menu **DMX Mode** e confermare. Selezionare la modalità DMX desiderata e confermare la selezione. Le tabelle DMX con le assegnazioni dei canali sono riportate più avanti in questo manuale, alla sezione CONTROLLO DMX.



## MODALITÀ STAND ALONE DIRECT

La modalità Stand Alone Direct consente di impostare dimmer, stroboscopio (Strobe), bianco caldo e bianco freddo direttamente sul dispositivo, come si fa per un dispositivo di controllo DMX. In questo modo è possibile creare una scena personalizzata senza necessità di un controller DMX supplementare.

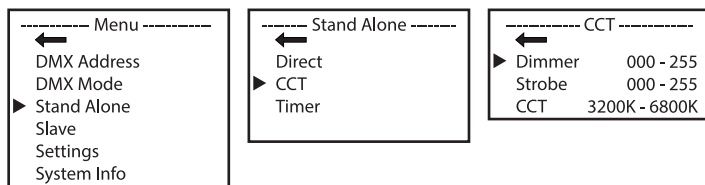
Premendo sul codificatore, dalla schermata principale si accede al menu principale. Selezionare ora la voce di menu **Stand Alone**, confermare, quindi selezionare **Direct** e confermare di nuovo. Selezionare la voce di menu che si desidera modificare e confermare. Impostare il valore desiderato e confermare l'inserimento. I valori dell'effetto stroboscopico corrispondono ai valori del canale 3 della tabella DMX 7 CH 16 bit.



## MODALITÀ STAND ALONE CCT (Correlated Colour Temperature)

Regolare a piacere il dimmer, lo stroboscopio (Strobe) e la temperatura di colore.

Premendo sul codificatore, dalla schermata principale si accede al menu principale. Ora selezionare la voce di menu **Stand Alone**, confermare, quindi selezionare **CCT** e confermare nuovamente. Selezionare la voce di menu che si desidera modificare e confermare. Impostare il valore desiderato e confermare l'inserimento. I valori dell'effetto stroboscopico corrispondono ai valori del canale 3 della tabella DMX 7 CH 16 bit.

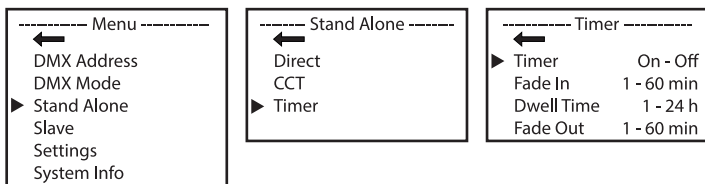




## FUNZIONE TIMER

La funzione “Timer” consente di controllare i tempi delle modalità **Direct** e **CCT**. È possibile, cioè, impostare il tempo di accensione (Fade In) da 1 a 60 minuti, il tempo di sospensione (Dwell Time) da 1 a 24 ore e il tempo di spegnimento (Fade Out) da 1 a 60 minuti. Il controllo dei tempi parte subito dopo l’attivazione della funzione Timer nella modalità Stand Alone attivata in precedenza e rimane attivo anche quando il faro viene spento e riacceso.

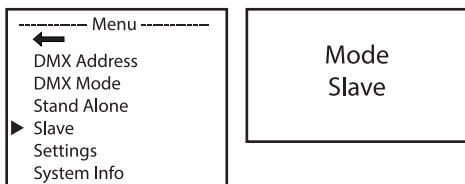
Premendo sul codificatore, dalla schermata principale si accede al menu principale. Selezionare la voce di menu **Stand Alone**, confermare, quindi selezionare **Timer** e confermare nuovamente. Selezionare ora **Fade In**, **Dwell Time** o **Fade Out** per le singole impostazioni e confermare. Il display visualizza un campo numerico per ogni opzione; ruotando l’encoder, è possibile impostare il valore desiderato da 1 a 60 o da 1 a 24. Confermare di nuovo. Una volta effettuate tutte le impostazioni desiderate, attivare la funzione timer selezionando la voce di sottomenu **Timer On/Off**, confermare, selezionare **On** e confermare nuovamente. (Per disattivare la funzione timer, selezionare **Off** e confermare).



Nota: la funzione timer è adatta al funzionamento master/slave via cavo.

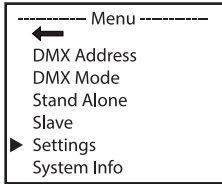
## MODALITÀ SLAVE

Premendo sul codificatore, dalla schermata principale si accede al menu principale. Selezionare la voce di menu **Slave** e confermare la selezione. Collegare le unità slave e master (stesso modello, stessa versione software) per mezzo di un cavo DMX e sull’unità master attivare una delle modalità Stand Alone (Direct, CCT). Ora l’unità slave segue esattamente l’unità master.



## IMPOSTAZIONI DI SISTEMA (Settings)

Premendo sul codificatore, dalla schermata principale si accede al menu principale. Selezionare la voce di menu **Settings** e confermare la selezione.



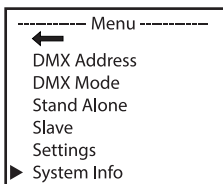
Si accede quindi al sottomenu per impostare le voci di sottomenu (v. tabella). Per selezionare, ruotare il codificatore, premerlo per confermare. Per modificare il valore o lo stato ruotare il codificatore, per confermare premerlo).

Settings				
Display Reverse	=	Ruota la visualizzazione del display	OFF	nessuna rotazione del display
			ON	Rotazione di 180° del display (ad es. per montaggio sopratesta)
Display Off Timer	=	Illuminazione del display	Off after 20s	Disattivazione dopo circa 20 secondi di inattività
			Always On	Sempre acceso
DMX Fail	=	Stato di funzionamento in caso di interruzione del segnale DMX	Hold	Mantiene l'ultimo comando
			Blackout	Attiva l'oscuramento
			Full	Full On = massima luminosità
			Stand Alone	La modalità Stand Alone Direct si attiva
Dimmer Curve	=	Curva dimmer	Linear	Con il valore DMX, l'intensità luminosa aumenta in maniera lineare.
			Exponential	L'intensità luminosa può essere impostata con maggior precisione ai livelli DMX inferiori e con minor precisione ai livelli DMX superiori.
			Logarithmic	L'intensità luminosa può essere impostata con minor precisione ai livelli DMX inferiori e con maggior precisione ai livelli DMX superiori.
			S-Curve	L'intensità luminosa può essere impostata con maggior precisione ai livelli DMX inferiore e superiori e con minor precisione ai livelli DMX medi.

Constant Brightness	=	Luminosità costante quando si passa da bianco caldo a bianco freddo e viceversa	On	Funzione attivata
			Off	Funzione disattivata
Dimmer Response	=	Comportamento dimmer	LED	Il proiettore reagisce immediatamente alle variazioni del valore DMX
			Halogen	Il proiettore si comporta in maniera analoga a un proiettore alogeno con variazioni di luminosità graduali.
PWM Frequency	=	Frequenza LED PWM	650Hz, 1530Hz, 3600Hz, 12000Hz, 18900Hz, 25000Hz	Selezione della frequenza LED PWM
Fan	=	Controllo ventola	Auto	Regolazione automatica della potenza della ventola
			Off	Ventola disattivata se la luminosità è fortemente ridotta
			Constant High	Velocità della ventola costantemente alta
			Constant Medium	Velocità della ventola costantemente media con luminosità ridotta, se necessario
			Constant Low	Velocità della ventola costantemente bassa a luminosità ridotta, se necessario
Calibration	=	Calibrazione di bianco caldo e bianco freddo	Warm White	Calibrazione personalizzata di bianco caldo e bianco freddo. Impostazione della luminosità per più modalità operative con valori da 000 a 255
			Cold White	
Factory Reset	=	ripristino delle impostazioni di fabbrica	Reset Now? Yes / No	Ripristinare con Sì, annullare con No
Service Timer Reset	=	azzeramento del Service Timer	Reset Now? Yes / No	Ripristinare con Sì, annullare con No

## INFORMAZIONI DI SISTEMA (System Info)

Premendo sul codificatore, dalla schermata principale si accede al menu principale. Selezionare la voce di menu “System Info” e confermare la selezione.



Si accede al sottomenu per visualizzare le informazioni di sistema (v. tabella).

System Info				
Firmware	=	Indicazione del firmware del dispositivo	Main CPU V1.xx	
Temperature	=	Indicazione della temperatura dell'unità LED	Temperature	LED xx°C / xx°F
			Temperature Unit	°C (= visualizzazione in gradi Celsius) °F (= visualizzazione in gradi Fahrenheit)
Operation Hours	=	Visualizzazione del tempo di funzionamento	Unit Operation Time xx:xxh	Visualizzazione del tempo di funzionamento del dispositivo in ore e minuti
			LED Operation Time xx:xxh	Visualizzazione del tempo di funzionamento del LED in ore e minuti
			Service Time	Visualizzazione del tempo di funzionamento del dispositivo dall'ultimo azzeramento del Service Timer in ore e minuti

## MONTAGGIO

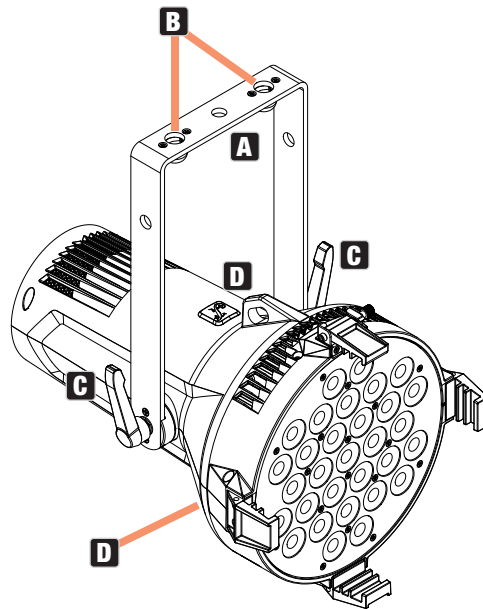


**PERICOLO** : il montaggio sopratesta richiede una vasta esperienza, che include il calcolo dei valori limite per il carico di lavoro, il materiale di installazione utilizzato e la verifica periodica della sicurezza di tutti i materiali di installazione e dei fari. In assenza di queste qualifiche, non cercare di effettuare da soli l'installazione, ma ricorrere all'aiuto di imprese professionali. Sussiste il rischio che dispositivi non montati o fissati correttamente si allentino e cadano. Ciò può causare lesioni gravi o mortali alle persone.

Montare un morsetto adatto direttamente sulla staffa a U (A). Alla staffa a U può essere fissata anche una staffa Omega acquistabile come optional (B). Il montaggio su una barra trasversale si effettua utilizzando un apposito morsetto. I morsetti idonei sono acquistabili come optional.

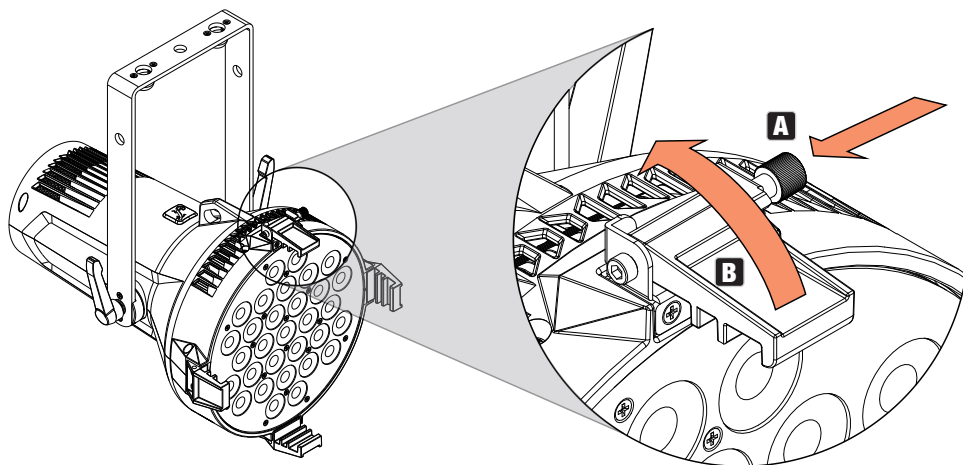
Allentare le due leve di serraggio ai lati del faro (C), regolare la direzione del fascio sul piano verticale dopo di che serrare di nuovo le due leve.

Verificare sempre la saldezza dei collegamenti; con un cavo di sicurezza adeguato, fissare il faro all'occhiello di sicurezza, a seconda dei casi, sul lato superiore o inferiore del faro (D).



## MONTAGGIO DEL DIFFUSORE O DEL DEFLETTORE AD ALETTE

Per montare un diffusore (o un deflettore ad alette), acquistabile come optional, premere il perno di fissaggio a molla sul lato superiore del faro (A). Il supporto si ripiega automaticamente verso l'alto (B). Far scorrere il diffusore (o il deflettore ad alette) dall'alto nelle scanalature dei supporti laterali e inferiori.



A questo punto, ripiegare la staffa a molla sul lato superiore del faro e verificare che il perno di fissaggio si innesti correttamente.

## ACCESSORI OPZIONALI

### Deflettore ad alette quadruplo

CLX3BARNDOOR



### Diffusori

CLX31060LENS (10° x 60°)

CLX320LENS (20°)

CLX350LENS (50°)

CLX380LENS (80°)



### Staffa Omega

CLOMEGABRACKET1



Illustrazioni simili

## CURA, MANUTENZIONE E RIPARAZIONE

Per garantire il corretto funzionamento del dispositivo nel tempo, è necessario sottoporlo a una pulizia regolare e, se necessario, a manutenzione. La necessità di cura e manutenzione dipende dall'intensità e dall'ambiente di utilizzo.

In generale si consiglia di effettuare un'ispezione visiva prima di ogni utilizzo. Si consiglia inoltre di eseguire tutti gli interventi di pulizia applicabili menzionati di seguito ogni 500 ore di funzionamento o, in caso di minore intensità di utilizzo, al più tardi dopo un anno. I difetti causati da cura insufficiente possono comportare la limitazione dei diritti di garanzia.

### CURA (effettuabile dall'utente)



**AVVERTENZA!** Prima di qualsiasi intervento di cura, staccare l'alimentazione elettrica e, se possibile, tutti i collegamenti del dispositivo.



**NOTA!** Una cura inadeguata può danneggiare il dispositivo, causando anche danni irreparabili.

1. Le superfici dell'alloggiamento devono essere pulite con un panno umido pulito. Aver cura che all'interno del dispositivo non penetri umidità.
2. Le aperture di ingresso e uscita dell'aria devono essere pulite regolarmente, rimuovendo polvere e sporcizia. Se si utilizza aria compressa, aver cura di non danneggiare il dispositivo (in questo caso, ad esempio, le ventole devono essere bloccate).
3. I cavi e i contatti elettrici devono essere puliti regolarmente, rimuovendo polvere e sporcizia.
4. In generale per la pulizia non devono essere utilizzati detersivi o sostanze con effetto abrasivo; in caso contrario la qualità della superficie potrebbe essere compromessa.
5. In generale, i dispositivi devono essere conservati in un luogo asciutto e protetti da polvere e sporcizia.

### MANUTENZIONE E RIPARAZIONE (solo da parte di personale specializzato)



**PERICOLO!** Il dispositivo contiene componenti sotto tensione. Anche dopo la disconnessione dalla rete elettrica, nel dispositivo può permanere tensione residua, dovuta ad esempio a condensatori carichi.



**NOTA!** Il dispositivo non contiene assiemi che richiedono manutenzione da parte dell'utente.



**NOTA!** Gli interventi di manutenzione e riparazione devono essere eseguiti esclusivamente da personale tecnico autorizzato dal produttore. In caso di dubbi rivolgersi al produttore.



**NOTA!** Gli interventi di manutenzione non eseguiti correttamente possono invalidare la garanzia.

# DIMENSIONI (mm)

ENGLISH

DEUTSCH

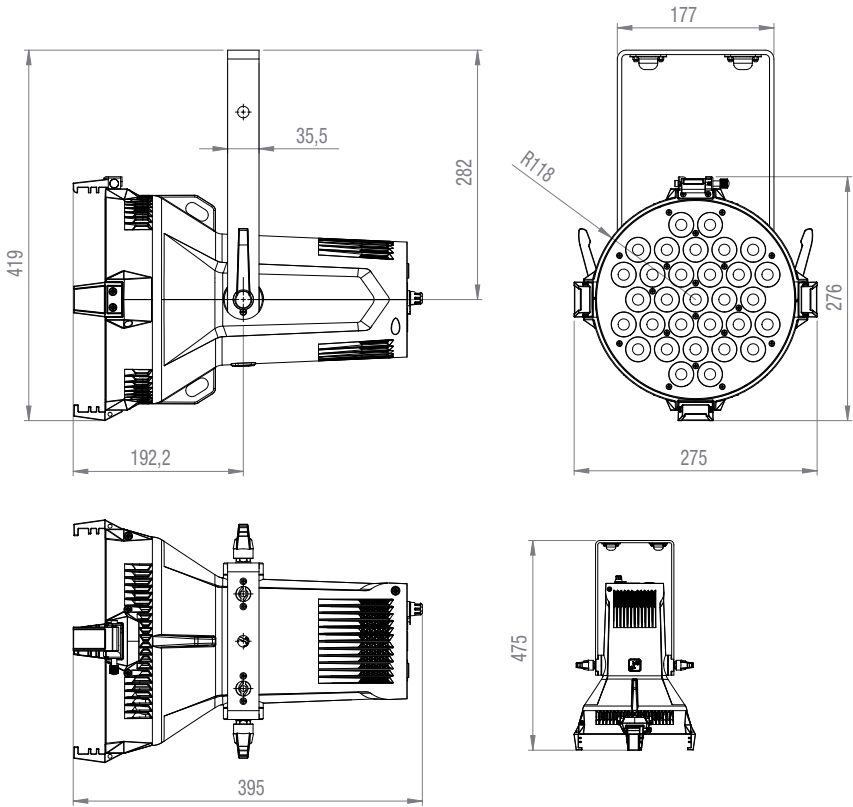
FRANCAIS

ESPAÑOL

POLSKI

ITALIANO

DMX





## DATI TECNICI

<b>Codice articolo:</b>	<b>CLX3TW</b>
Tipo di prodotto:	Faro LED
Tipo:	Lampada per fiere
Spettro cromatico:	Tunable White (bianco regolabile)
Numero di LED:	16 bianco freddo + 15 bianco caldo
Tipo di LED:	15 W
Frequenza LED PWM:	650 Hz; 1530 Hz; 3600 Hz; 12 kHz; 18,9 kHz; 25 kHz (regolabile)
Semiangolo di diffusione (angolo di diffusione decimale)	8° (16,5°)
Ingresso del segnale di comando:	XLR maschio a 5 poli
Uscita del segnale di comando:	XLR femmina a 5 poli
Funzioni DMX:	Dimmer, stroboscopio, bianco caldo, bianco freddo, CCT, impostazione del dispositivo
Protocolli di controllo:	DMX512, RDM
Funzioni standalone:	Direct, CCT, Timer
Display:	OLED
Elementi di comando:	Codificatore a manopola a pressione
Tensione di esercizio:	100-240 V AC, 50/60 Hz
Potenza assorbita:	400 W
Power Out:	max 10 A
Intensità di illuminazione a 3 m:	50.000 lx
Temperatura colore:	3200 K-6800 K
Flusso luminoso:	Full On: 21.000 lm Bianco caldo: 9700 lm Bianco freddo: 12.000 lm
CRI:	> 83
Collegamento alimentazione elettrica:	Prese compatibili TRUE1 (IN + OUT)
Classe di protezione IP	IP20
Temperatura ambiente (in esercizio):	0 °C-40 °C
Distanza minima dalla superficie illuminata	0,5 m
Distanza minima da materiali normalmente infiammabili:	0,5 m
Colore cassa:	nero

ENGLISH

DEUTSCH

FRANCAIS

ESPAÑOL

POLSKI

ITALIANO

DMX

Materiale alloggiamento: lega di magnesio  
 Raffreddamento alloggiamento: ventola termoregolata

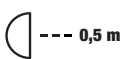
Dimensioni (L x H x P, senza staffe di montaggio): 275 × 276 x 395 mm

Peso: 5,5 kg

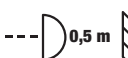
Accessori in dotazione: 1 cavo di alimentazione

Accessori opzionali: diffusore 20°, 50°, 80°, 60° x 10°; staffa Omega; porta scorrevole

## DISTANZA MINIMA DALLA SUPERFICIE ILLUMINATA

 Questo simbolo, con la distanza in metri (m), indica la distanza minima tra il corpo della lampada e la superficie illuminata. In questo esempio la distanza è 0,5 m. Per i valori applicabili per questo dispositivo, fare riferimento ai dati tecnici contenuti in questo manuale di istruzioni e alla stampigliatura sull'alloggiamento dell'apparecchio.

## DISTANZA MINIMA DA MATERIALI NORMALMENTE INFIAMMABILI

 Questo simbolo con la distanza in metri (m) indica la distanza minima tra il dispositivo e materiali normalmente infiammabili. In questo esempio la distanza è 0,5 m. Per i valori applicabili per questo dispositivo, fare riferimento ai dati tecnici contenuti in questo manuale di istruzioni.

## SMALTIMENTO



### IMBALLAGGIO

1. Gli imballaggi possono essere riciclati attraverso i consueti canali di smaltimento.
2. Separare l'imballaggio in conformità alle leggi sullo smaltimento e i regolamenti sui materiali riciclabili in vigore nel proprio Paese.



### DISPOSITIVO

1. Questo dispositivo è soggetto alla Direttiva europea sui rifiuti di apparecchiature elettriche ed elettroniche nella versione in vigore (Direttiva RAEE sui rifiuti di apparecchiature elettriche ed elettroniche). I dispositivi usati non devono essere smaltiti con i rifiuti domestici. Il dispositivo usato deve essere smaltito mediante un'azienda di smaltimento autorizzata o presso un centro di smaltimento comunale. Rispettare le normative in vigore nel proprio Paese.
2. Rispettare tutte le leggi sullo smaltimento in vigore nel proprio Paese.
3. I clienti privati possono richiedere informazioni sulle opzioni di smaltimento eco-sostenibile al rivenditore presso il quale è stato acquistato il prodotto o presso le autorità regionali competenti.

## **DICHIARAZIONI DEL FABBRICANTE**

### **Garanzia del produttore e limitazione di responsabilità**

Adam Hall GmbH, Adam-Hall-Str. 1, D-61267 Neu-Anspach

E-mail [info@adamhall.com](mailto:info@adamhall.com) / +49 (0)6081 / 9419-0.

Le nostre condizioni di garanzia aggiornate e la limitazione di responsabilità sono consultabili alla pagina:

[https://cdn-shop.adamhall.com/media/pdf/Manufacturers-Declarations-CAMEO\\_DE\\_EN\\_ES\\_FR.pdf](https://cdn-shop.adamhall.com/media/pdf/Manufacturers-Declarations-CAMEO_DE_EN_ES_FR.pdf)

Per assistenza, rivolgersi al proprio distributore di fiducia.

### **Conformità CE**

Adam Hall GmbH dichiara che questo prodotto è conforme alle seguenti direttive

(ove applicabile):

Direttiva bassa tensione (2014/35/CE)

Direttiva CEM (2014/30/UE)

RoHS (2011/65/UE)

RED (2014/53/UE)

### **Dichiarazione di conformità CE**

Le dichiarazioni di conformità per i prodotti soggetti alle direttive LVD, EMC e RoHS possono essere richieste all'indirizzo [info@adamhall.com](mailto:info@adamhall.com).

Le dichiarazioni di conformità per i prodotti soggetti alla direttiva RED possono essere scaricate da [www.adamhall.com/compliance/](http://www.adamhall.com/compliance/).

**Con riserva di errori di stampa e refusi, nonché di modifiche tecniche o di altro tipo.**

# DMX CONTROL / DMX STEUERUNG / PILOTAGE DMX / CONTROL DMX / STEROWANIE DMX / CONTROLLO DMX

ENGLISH

DEUTSCH

FRANCAIS

ESPAÑOL

POLSKI

ITALIANO

DMX

1CH (last setting in Stand Alone Mode CCT)	2CH 16 Bit (last setting in Stand Alone Mode CCT)	Function	Values			
1	1	Dimmer	000	-	255	0% to 100%
	2	Dimmer fine	000	-	255	0% to 100%

2CH CCT	2CH WW- CW	Function	Values			
1		Dimmer	000	-	255	0% to 100%
	1	Warm White	000	-	255	0% to 100%
	2	Cold White	000	-	255	0% to 100%
2		Colour Temperature	000	-	088	Halogen White (3200K)
			089	-	128	3200K -> 4000K
			129	-	129	Neutral White (4000K)
			130	-	169	4000K -> 5600K
			170	-	170	Studio-White (5600K)
			171	-	210	5600K -> 6500K
			211	-	211	Daylight White (6500K)
			212	-	251	6500K -> cold Daylight
			252	-	255	Cold Daylight

7CH 16Bit	Function	Values			
1	Dimmer	000	-	255	0% to 100%
2	Dimmer fine	000	-	255	0% to 100%
3	Strobe functions	000	-	005	Strobe open
		006	-	010	Strobe closed
		011	-	022	Ramp up/down, slow -> fast
		023	-	033	Ramp up/down random, slow->fast
		034	-	045	Ramp up, slow -> fast
		046	-	056	Ramp up random, slow -> fast
		057	-	068	Ramp down, slow -> fast

3	Strobe functions	069	-	079	Ramp down random, slow -> fast
		080	-	102	Random Strobe effect, slow -> fast
		103	-	127	Strobe Break effect, 5s.....1s (short burst with break)
		128	-	250	Strobe slow -> fast <1Hz - 20Hz
		251	-	255	Strobe open
4	Warm White	000	-	255	0% to 100%
5	Cold White	000	-	255	0% to 100%
6	Color Temperature	000	-	005	No function
		006	-	088	Halogen White (3200K)
		089	-	128	3200K -> 4000K
		129	-	129	Neutral White (4000K)
		130	-	169	4000K -> 5600K
		170	-	170	Studio-White (5600K)
		171	-	210	5600K -> 6500K
		211	-	211	Daylight White (6500K)
		212	-	251	6500K -> cold Daylight
		252	-	255	Cold Daylight
7	Device settings (please read remark 1*)	000	-	073	No function
		074	-	075	Dimmer Response LED (hold 3s)
		076	-	081	Dimmer Response Halogen (hold 3s)
		082	-	119	No function
		098	-	099	Auto Fan (hold 3s)
		100	-	101	Fan Off (hold 3s)
		102	-	103	Fan Constant Low (hold 3s)
		104	-	105	Fan Constant Mid (hold 3s)
		106	-	107	Fan Constant High (hold 3s)
		108	-	119	No function
		120	-	121	PWM 1 (650Hz) (hold 3s)
		122	-	123	PWM 2 (1530 Hz)(hold 3s)
		124	-	125	PWM 3 (3600 Hz)(hold 3s)
		126	-	127	PWM 4 (12 kHz)(hold 3s)
		128	-	129	PWM 5 (18.9 KHz)(hold 3s)
130	-	131	PWM 6 (25 KHz)(hold 3s)		

7	Device settings (please read remark 1*)	132	-	163	No function
		140	-	141	Display on (hold 3s)
		142	-	143	Display off (hold 3s)
		144	-	163	No function
		164	-	165	Dimmer Curve Linear (hold 3s)
		166	-	167	Dimmer Curve Exponential (hold 3s)
		168	-	169	Dimmer Curve Logarithmic (hold 3s)
		170	-	171	Dimmer Curve S-Curve (hold 3s)
		172	-	173	CCT fade constant brightness on (hold 3s)
		174	-	175	CCT fade constant brightness off (hold 3s)
		176	-	235	No function
		236	-	237	Reset All Functions (except DMX-Address and Mode) (hold 3s)
238	-	255	No function		

**EN:** (1\*) After the adjustments have been made, set the value to 000 to avoid disturbance by endless function call.

**DE:** (1\*) Nachdem die Einstellungen vorgenommen wurden, stellen Sie den Wert auf 000 ein, um Störungen durch endlosen Funktionsaufruf zu vermeiden.

**FR:** (1\*) Une fois les ajustements effectués, réglez la valeur sur 000 pour éviter les perturbations par appel de fonction sans fin.

**ES:** (1\*) Después de realizar los ajustes, establezca el valor en 000 para evitar perturbaciones mediante una llamada de función sin fin.

**PL:** (1\*) Po dokonaniu ustawień ustaw wartość na 000, aby uniknąć zakłóceń przez niekończące się wywołanie funkcji.

**IT:** (1\*) Dopo aver effettuato le regolazioni, impostare il valore su 000 per evitare disturbi causati da una chiamata a funzione infinita.



**Adam Hall GmbH**

Adam-Hall-Str. 1 | 61267 Neu-Anspach | Germany

Phone: +49 6081 9419-0 | [adamhall.com](http://adamhall.com)

Adam Hall Ltd. | The Seedbed Business Centre | SS3 9QY Essex | United Kingdom

