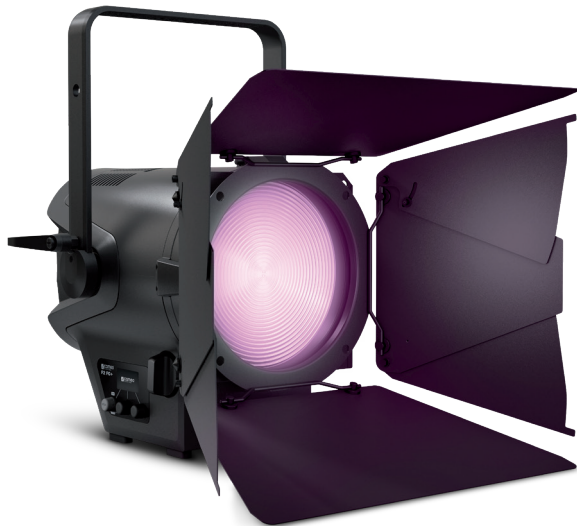


F2 FC+

SPECTRUM-OPTIMISED FRESNEL SPOTLIGHT WITH RGBAL LED



FEATURES

- ▶ Full colour Fresnel with RGBAL LED
- ▶ Seamless colour temperature adjustment from 1,600 K to 6,500 K
- ▶ Brilliant colours and precise white tone adjustment
- ▶ Four selectable 16-bit dimmer curves with adjustable response
- ▶ Includes 8-way barndoor and gel filter frames
- ▶ High CRI (>90) and TLCI (>93) for natural colour rendering
- ▶ Adjustable green-magenta correction
- ▶ Continuous zoom for beam angles from 18° to 55°
- ▶ Flicker-free and noiseless operation, ideal for TV, film, photography studios and theatre



DESCRIPTION

The complete palette of dynamic colours in maximum reproduction quality - the Cameo F2 FC+ is the perfect Fresnel spotlight for professional use in front of the camera and in the theatre. The plus version brings an spectrum-optimised RGBAL LED to the F2 Fresnel spotlight range and impresses with its brilliant colour mixing. Its white tones can be precisely adjusted in CCT mode from 1,600 K to 6,500 K at a constant CRI of over 90, and perfectly adjusted to camera sensors and ambient light via additional green-magenta correction. RGBAL colour-blending in HSI mode facilitates rapid adjustment of colour, intensity and saturation at the light desk using only three control circuits. Using additional colour filters is in the past. The high-quality 200 mm lens creates a soft-edged beam of light, which can be manually and gradually adjusted in the 18° to 55° beam angle from spot to flood and all intermediate positions. At the same time, the integrated condenser lens provides evenly blended colours and colour shadow-free light dispersion, even when using the barndoor.

The F2 FC+ is fully RDM-capable, and has a range of DMX control modes as well as four 16-bit dimmer curves with adjustable response. Even at its lowest setting, gradual dimming meets the highest theatre demands. Six selectable pulse width modulation frequencies of 800 Hz to 25 kHz ensure flicker-free operation, even for high-speed camera settings. A heatpipe combined with a temperature-controlled fan provides highly-efficient cooling and virtually noiseless operation. For convenient configuration, the spotlight's robust die-cast aluminium housing is equipped with three rotary encoders and an OLED display. 5-pin DMX connections and TRUE1 TOP compatible sockets facilitate unproblematic daisy chaining. Included are an 8-way barndoor, a filter frame and a mains cable.

Features and specifications
subject to change without notice.

adamhall.com

F2 FC+

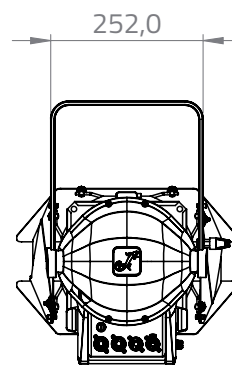
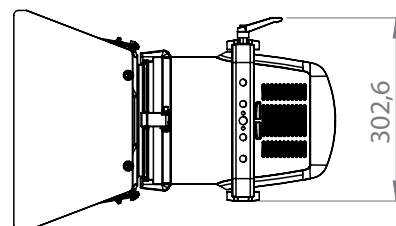
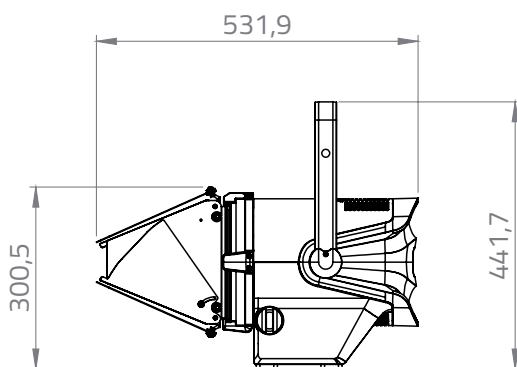
SPECTRUM-OPTIMISED FRESNEL SPOTLIGHT WITH RGBAL LED



SPECIFICATIONS

Item number:	CLZW300TW
Product type:	LED Fresnel Spotlight
Type:	Theater Fresnel
Colour spectrum:	RGBAL
CRI:	>90
CCT:	1600K - 6500K
LED quantity:	Red: 13Pcs; Green: 16Pcs; RoyalBlue: 4Pcs; Blue:12Pcs; Amber: 18Pcs; Lime: 26Pcs
LED type:	Custom LED Array
LED PWM frequency:	600Hz, 1200Hz, 2000Hz, 4000Hz, 6000Hz, 25000Hz
Luminous flux:	8350 lm
Beam angle:	Beam Angle 18 - 53° / Field Angle 32° - 87°
Zoom function:	Manual Knob
DMX input:	5-Pin XLR
DMX output:	5-Pin XLR
Control:	DMX, RDM
DMX mode:	1CH Dim, 2CH Dim 16Bit, 2CH CCT, 3CH RGB Cal., 5CH Direct, 4CH CCT 16Bit, 6CH HSI-CCT, 7CH RGB-CCT, 10CH Direct 16Bit, 10CH HSI-CCT, 18CH Direct-CCT
DMX functions:	CCT, Color macros, Device Settings, Dimmer, Dimmer Curve, Dimmer Fine, RGBAL, RGBAL Fine, strobe, Dim to Warm, Hue Saturation
Standalone functions:	Loop, Master / Slave mode, Static
System settings:	Display Flip, Display Off Time, DMX-Fail, Dimmer Curve, Dimmer Response, Red-Shift, PWM Frequency, Color Calibration, Autolock, Fan, Factory Reset, UC/Loops Reset
Control elements:	3 x Push-Encoder knobs
Display elements:	1.51" Display
Operating voltage:	100 - 240 VAC 50/60Hz
Power consumption:	250W
Efficiency:	33 lm/W
Inrush current:	43A @ 0,385ms (220V)
Power supply connection:	TRUE1 Compatible Power I/O Socket
Fuse:	T3.15A
Ambient temperature (in operation):	-15 to 45 °C
Relative humidity:	80% non-condensing
IP protection class:	IP20
Housing material:	Die-cast aluminium
Housing color:	Black
Housing cooling:	Combination of Heat Pipe and Temperature Controlled Fan
Minimum distance to the illuminated surface:	0.5 m
Minimum distance to normally flammable materials:	0.5 m
Dimensions (W x H x D, without mounting bracket and barn door):	302 x 433 x 442 mm
Weight:	9 kg
RDM UID:	08A40129xxxx
Other features:	Barn door, filter frame and power cord included

DIMENSIONS (mm)



Features and specifications subject to change without notice.

adamhall.com