

OTOS® SP6

IP65 SPOT PROFILE MOVING HEAD



FEATURES

- ▶ IP65 Spot Profile Moving Head with 600 W LED and 86,000 lux at 6° beam angle
- ▶ High-quality optics with 130 mm front lens and large 6°-46° zoom
- ▶ Uniform projection without hotspots throughout the zoom range
- ▶ CMY colour mixing and additional colour wheel with 6 dichroic filters + open
- ▶ Rotating gobo wheel with 7 indexable/rotatable, exchangeable glass gobos + open
- ▶ Static gobo wheel with 7 interchangeable glass gobos + open
- ▶ 4-fold diaphragm slide system with +/- 45° rotation
- ▶ Linear CTO correction (2,600 K - 7,000 K)
- ▶ Selectable pulse width modulation (up to 25 kHz) for flicker-free operation
- ▶ Flexible control options: DMX, RDM, Art-Net, sACN, W-DMX, CRMX
- ▶ Easy handling and low weight (34 kg)



DESCRIPTION

Combined spot/profile moving heads are true all-rounders for live, event, theatre and TV use. The OTOS® SP6 is no exception - and still stands out from the crowd as an IP65 spot/profile with LED light source! The 600 Watt LED generates a powerful 86,000 lux at 6° beam angle. At the same time, the optical system with 130 mm front lens enables an impressively wide zoom range from 6° to 46° without visible hotspots.

The OTOS® SP6 is made for precise and creative use. The light beam can be shaped via the two gobo wheels (rotatable with seven indexable and rotatable, exchangeable glass gobos + static with seven exchangeable glass gobos), via the rotatable and indexable 5-facet prism as well as via the integrated 4-fold iris slider system with individual angulation and +/- 45° rotation. Two frost filters (light and heavy) and the infinitely variable iris diaphragm round off the wide range of possibilities.

The OTOS® SP6 uses CMY colour mixing and includes an additional colour wheel with six dichroic filters + open for particularly saturated, powerful colours. The linear CTO correction allows infinitely variable adjustment of the colour temperature in the range from 2,600 K to 7,000 K. Thanks to the adjustable PWM frequency (650 Hz - 25 kHz), the OTOS® SP6 is also suitable for use with film and TV cameras. The high-resolution, uniform 16-bit dimming behaviour including four selectable dimming curves also contributes to this.

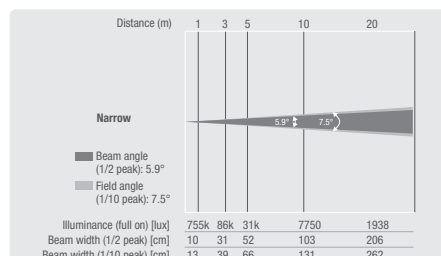
The control of the OTOS® SP6 could hardly be more flexible. With DMX, RDM, Art-Net, sACN, W-DMX™ and CRMX, almost all control standards of modern lighting technology are available. On the unit itself, the moving head can also be operated via a battery-operated display using four buttons and configured independently of the mains. When it comes to on-site handling, the OTOS® SP6 scores with its intelligently placed handles and - as with all moving heads of the OTOS® series - an exceptionally low weight (OTOS® SP6: 34 kg).

OTOS® SP6

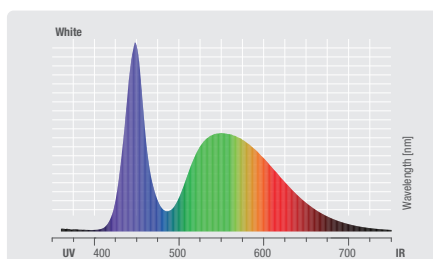
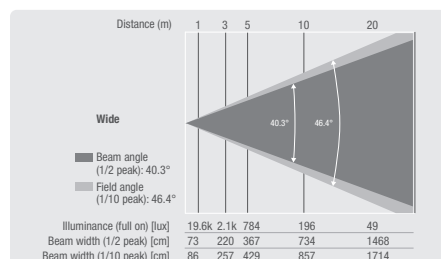
IP65 SPOT PROFILE MOVING HEAD



PHOTOMETRICAL DATA



Chromaticity coordinates	CCT	R _a
White x 0.308 y 0.323	6800 K	70.6



SPECIFICATIONS

Product type	LED Moving Light
Type	IP65, Moving Head, Profile Spot
Number of lamps	1
Type Lamp	600 W Coldwhite LED
Color temperature	6900 K
Colour mixing function	Colour wheel, Linear CMY, Linear CTO
Colour rendering index (CRI)	>70
Color wheel Number of colors	6x Colour + Open
Number of gobos	14 + open (7 Interchangeable Rotating + 7 Fixed)
Effects	5-Facet Prism, Iris, 2x Frost (light + heavy)
Dispersion	6° - 46°
DMX input	Ethernet RJ45, XLR 5-pin male IP65
DMX output	Ethernet RJ45, XLR 5-pin female IP65
DMX mode	33-channel basic, 36-channel standard, 50-channel extended
DMX Functions	Animation In/Out, Animation Rotation, CTO, CTO Fine, Cyan, Cyan Fine, Dimmer, Dimmer Fine, Focus, Focus Fine, Gobo Rotation Fine, Gobo Wheel 1, Gobo Wheel 2, Heavy Frost, Iris, Light Frost, Magenta, Magenta Fine, Pan/Tilt, Pan/Tilt fine, Prism, Prism Rotation, Rotation Gobo Wheel, strobe, Yellow, Yellow Fine, Zoom, Zoom Fine
Standalone Functions	Master / Slave mode, Quicklight, Static
System settings	Auto Lock, Colour wheel, Dimmer, Dimmer Curves, Dimmer response, Display, Gobo Wheel Movement, Gobo Wheel Position, Move in Black, Pan Reverse, Position Feedback, PWM, Reverse, Silent Mode, Tilt Reverse, Timer Off
Control	ArtNet, CRMX, DMX, RDM, sACN, W-DMX
Controls	Down, Enter, menu, Upv
Indicators	LCD display
Operating voltage	100 V AC - 240 V AC, 50 - 60 Hz
Power consumption	Max. 780 W
Lux	86,000 lux at 6° beam angle
Power connector	PowerCON TRUE1 compatible
Protection class IP	IP65
Ambient temperature (in operation)	-10 - 40 °C
Housing material	Magnesium Alloy Cast
Cabinet colour	Black
Housing Cooling	Convection
Width	431 mm
Height	768 mm
Depth	366 mm
Weight	33.5 kg
Accessories (included)	1 m Power cable, 2 x Omega mounting

Features and specifications
subject to change without notice.

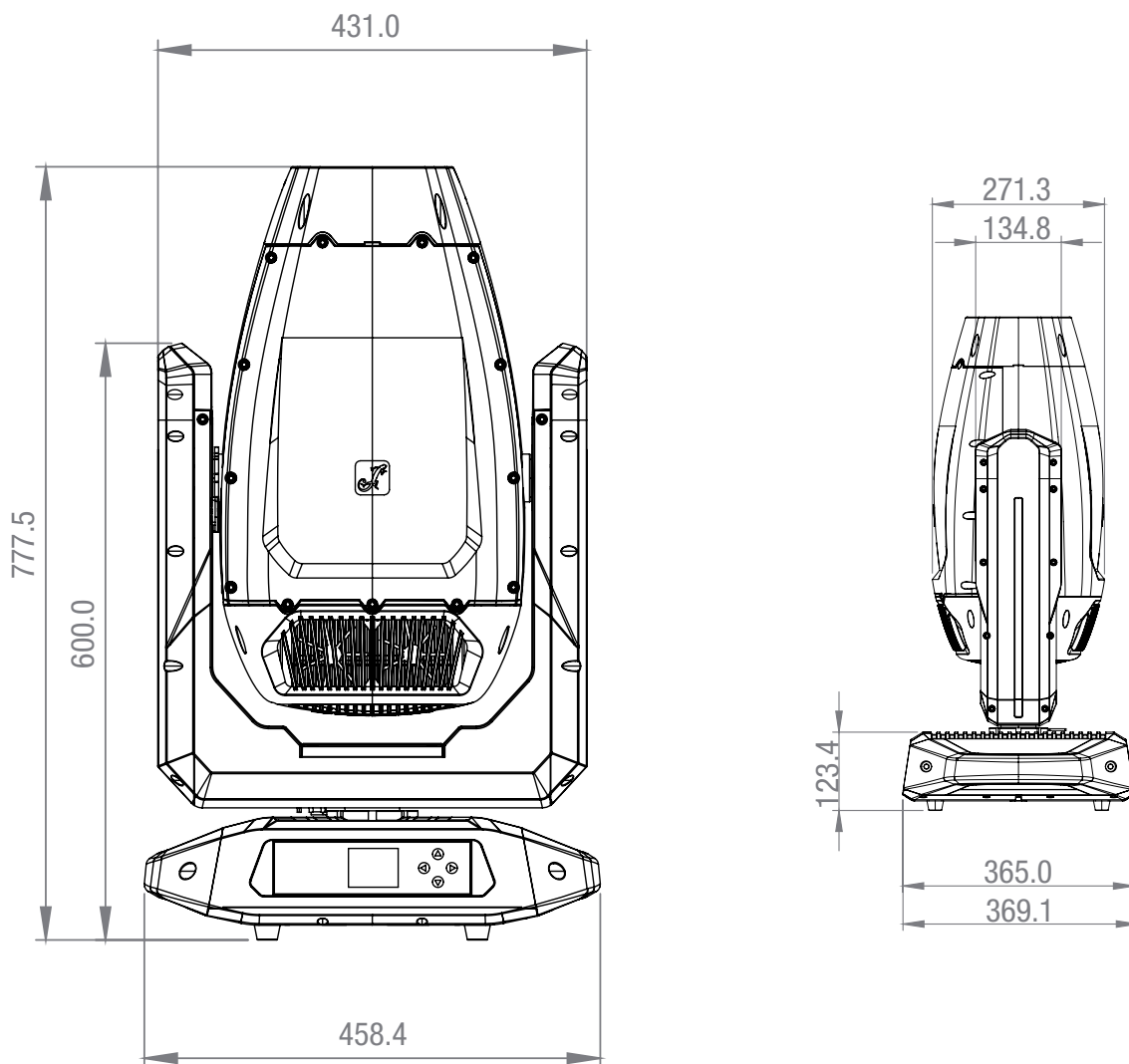
adamhall.com

OTOS® SP6

IP65 SPOT PROFILE MOVING HEAD



DIMENSIONS (mm)



Features and specifications
subject to change without notice.

adamhall.com