

F2 T

PROFESSIONAL HIGH-POWER TUNGSTEN LED FRESNEL SPOT LIGHT



DESCRIPTION

The Cameo F2 T is a professional Fresnel light with high-quality 200 mm lens and huge 14,000 lm output delivering a soft-edged beam with continuously variable 15° to 40° spread. A perfect and energy saving replacement for conventional 1 kW Fresnels, the RDM-enabled spot light is powered by a single 240 watt Tungsten LED with 50,000 h life expectancy. It has a colour temperature of 3,200 K and super high CRI of 97 showing colours faithfully and realistically.

The F2 T provides 6 modes of DMX control, a high-speed strobe function and smooth 16-bit dimming with a choice of 4 curves and adjustable response. It offers a selection of 6 PWM frequencies up to 25 kHz for flicker-free performance, and the super efficient heat pipe cooling and temperature controlled fan ensure optimum operation. The Fresnel's rugged die-cast aluminium housing features a rotary encoder and OLED display for easy configuration plus 5-pin DMX and Power Twist inputs and outputs for convenient daisy-chaining. The fixture comes with an 8-way barn door, gel frame and power cord.

FEATURES

- ✓ Tungsten LED Fresnel with 3,200 K colour temperature and 14,000 lm output
- ✓ Perfect replacement for conventional 1 kW Fresnels
- ✓ Faithful colour reproduction, CRI rating of 96, TLCI of 97
- ✓ Continuously variable zoom for 15° to 40° beam spread
- ✓ 16-bit dimming with 4 selectable curves and adjustable response
- ✓ Super efficient heat pipe cooling and temperature controlled fan for optimum operation
- ✓ RDM enabled
- ✓ Selectable PWM frequencies up to 25 kHz
- ✓ Flicker-free and silent operation, ideal for TV, film and theatre applications
- ✓ Includes 8-way barn door and gel frame



Features and specifications
subject to change without notice.

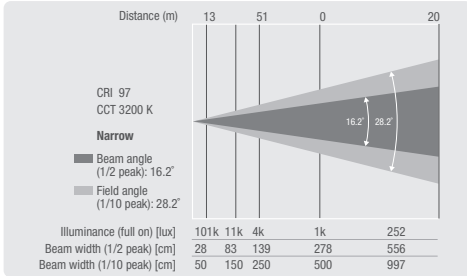
adamhall.com

F2 T

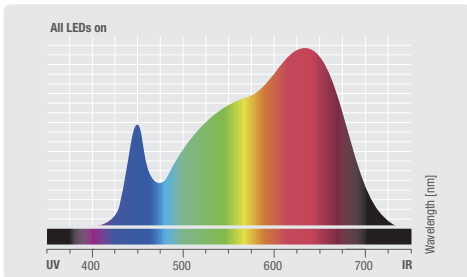
PROFESSIONAL HIGH-POWER TUNGSTEN LED FRESNEL SPOT LIGHT



PHOTOMETRICAL DATA

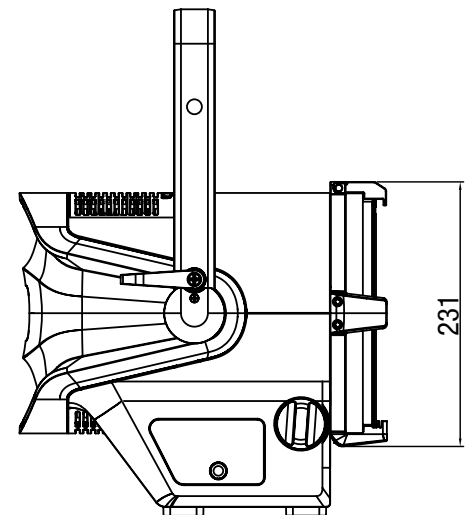
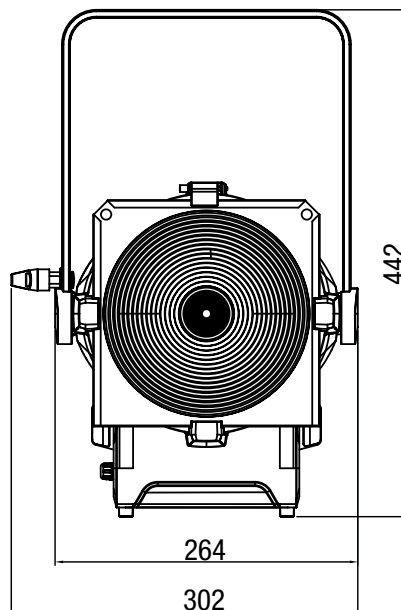
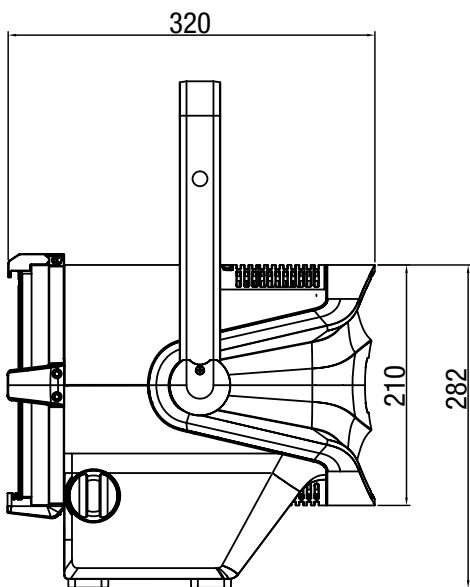


Luminous flux	Chromaticity coordinates	
All LEDs on 12500 lm	xy 0.423	0.397



SPECIFICATIONS

Product type	LED Fresnel Scheinwerfer
Type	Studio PAR 64
Colour spectrum	Tungsten
Number of LEDs	1
LED type	240 W (ca. 50,000 Operating Hours)
Refresh rate	Adjustable: 800 Hz, 1200 Hz, 2000 Hz, 3600 Hz, 12000 Hz, 25000 Hz
Dispersion	Field Angle: 29 ° - 63 °, Beam Angle: 15 ° - 40 °
Lens	200 mm Fresnel
DMX input	5-Pol
DMX output	5-Pol
DMX mode	2-channel 1, 4-channel, 1-channel, 2-channel 2, 3-channel, 5-channel
DMX Functions	Device Settings, Dimmer, Dimmer Fine, Dimmer Curve, strobe
Standalone modes	master / slave mode, Static
Controls	Encoder
Indicators	OLED Display
Operating voltage	100 V AC - 240 V AC, 50 - 60 Hz
Power consumption	210 W
Power connector	Neutrik PowerCon
Housing material	die-cast aluminium
Cabinet colour	Black
Protection class IP	20
Cooling	Comination of Heat Pipe and Temperature Controlled Fan
Luminous flux	13.628 lm
Efficiency	57 lm/W
Ambient Temperatur (operating)	-15 - 45 °C
Colour temperature	3200 K
Dimensions (W x H x D, without Mounting Bracket and Sash Limiter)	
Width	270 mm
Height	292 mm
Depth	322 mm
Weight	9 kg



Features and specifications
subject to change without notice.

adamhall.com