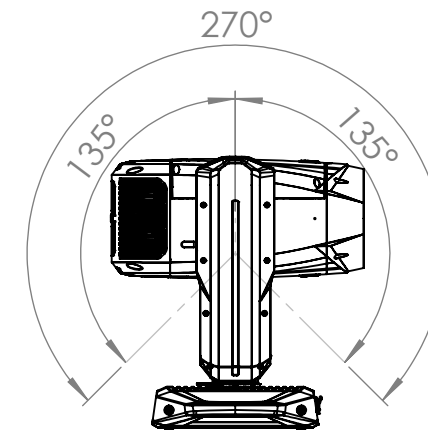
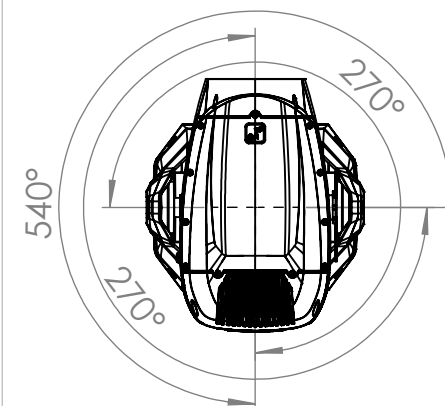


TILT movement	
Front movement	135°
Back movement	135°
Total movement	270°



PAN rotation	
Left rotation	270°
Right rotation	270°
Total rotation	540°



ORON® H2

Art No.: CLORONH2
 Drawing No.: 017839-2
 Scale 1:10



Cameo® is a registered brand of the Adam Hall Group.
 Adam-Hall-Str. 1 · 61267 Neu-Anspach · Germany
 DESIGNED AND ENGINEERED IN GERMANY. Assembled in PRC