

STUDIO PAR TW G2

LED PAR SPOTLIGHT
WITH 12 X 3-IN-1 TUNABLE WHITE LED



FEATURES

- ▶ 12 x 10 W 3-in-1 Tunable White LED with 4,150 lm luminous flux
- ▶ Variable white light (2,800 - 6,800 K) + amber
- ▶ High colour fidelity: CRI>95
- ▶ Revised design with many workflow optimisations
- ▶ Selectable pulse width modulation (up to 25 kHz) for flicker-free operation
- ▶ Virtually silent operation in "Silent Fan Mode"
- ▶ Intuitive holding mechanism for colour filter frames
- ▶ Wireless control via W-DMX™ via optional Cameo iDMX Stick
- ▶ Simple configuration via OLED display
- ▶ PowerCON compatible power connector
- ▶ Fold-out 16 mm TV spigot (SPIN16®) can be retrofitted as an option

DESCRIPTION

They can be found at almost every event - large or small, on live stages or corporate events, in the theatre or TV studio. LED PAR spotlights are permanent fixtures in the portfolio of every lighting designer and rental provider - and they have to meet the highest demands in terms of lighting quality, operation and flexible use.

With the second generation of the STUDIO PAR series, Cameo has revised the genre of classic LED PAR fixtures for static lighting on all levels and given the design an unmistakable facelift.

The extremely compact STUDIO PAR TW G2 is based on 12 x 10 W 3-in-1 Tunable White LEDs with an impressive luminous flux of 4,150 lm at an 18° beam angle and uniform light distribution. Thanks to its infinitely variable white light adjustment in the range from 2,800 to 6,800 K, variable PWM frequency (650 Hz to 25 kHz) and natural colour rendering (CRI>96), the STUDIO PAR TW G2 is also suitable for use in theatres, TV studios, on film sets or at indoor light art festivals. Even more versatile is its use in combination with the optionally available Cameo iDMX Stick to control the STUDIO PAR TW G2 wirelessly via W-DMX™.

For particularly flexible mounting, the STUDIO PAR TW G2 can be optionally retrofitted with a fold-out 16 mm TV spigot based on patented SPIN16® technology.



Features and specifications
subject to change without notice.

adamhall.com

STUDIO PAR TW G2

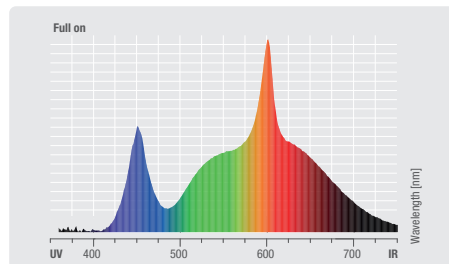
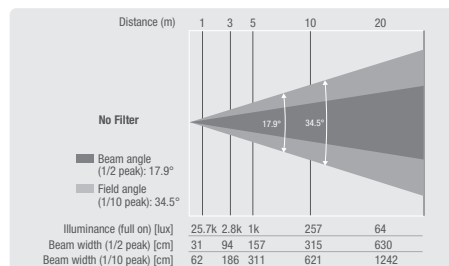
LED PAR SPOTLIGHT

WITH 12 X 3-IN-1 TUNABLE WHITE LED



PHOTOMETRICAL DATA

	Luminous flux	Chromaticity coordinates	CCT	R _a
Full on	4150 lm	x 0.406 y 0.363	1.6k - 6.8k	96
White	1730 lm	x 0.307 y 0.323		
Warm White	1930 lm	x 0.455 y 0.408		
Amber	820 lm	x 0.609 y 0.387		



SPECIFICATIONS

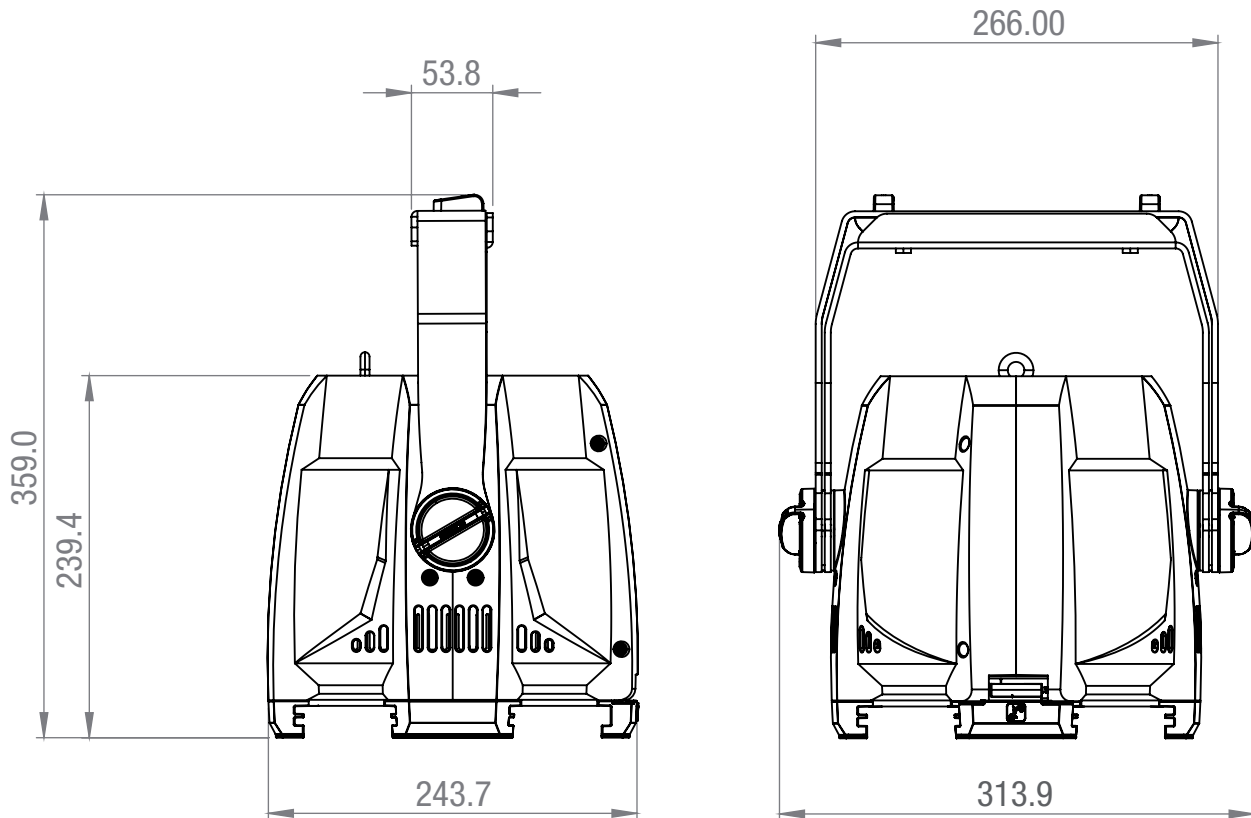
Product type	LED PAR Lighting
Type	Studio PAR
Colour spectrum	Tunable White, Warm White/Cold White
Number of LEDs	12
LED type	3in1 WW/CW/A 10 W SMD LED
Color temperature	2800 - 6800 K
Luminous flux	4150 lm
Dispersion	Beam Angle: 18 °, Field Angle: 35 °
Lens	12 x acrylic lens
LED PWM Frequency	650 Hz, 1530 Hz, 3600 Hz, 12000 Hz, 18900 Hz, 25000 Hz
Dimmer resolution	16 bit
Dimmer curves	Exponential, Linear, Logarithmic, Square
Strobe	0 - 20 Hz
CRI	>95 Ra
DMX input	3-Pol, iDMX slot
DMX output	3-Pol
DMX mode	11-channel, 1-channel, 2-channel, 3-channel, 4-channel, 5-channel, 8-channel
DMX Functions	CW, Device Settings, Dimmer, Dimmer Curve, EZ-Chase, strobe, WW
Standalone modes	Auto Mode, Static
System settings	Default settings, Dimmer, Dimmer Response, Display, Fan mode, LED PWM Frequency, Signal Fail, Wireless
Controls	4 x Buttons, Down, Enter, menu, Up
Indicators	OLED Display
Relative Humidity	< 80 %, not condensing
Protection class IP	IP20
Ambient temperature (operating)	-10 - 40 °C
Cooling	Convection, low-noise fan
Operating voltage	100 V AC - 240 V AC, 50 - 60 Hz
Power connector	PowerCon Blue I/O
Fuse	T2A
Max. Power consumption	115 W
Housing	Die-cast aluminium
Cabinet surface	Powder coated
Cabinet colour	Black
Height	360 mm
Width	310 mm
Depth	250 mm
Weight	5.1 kg

STUDIO PAR TW G2

LED PAR SPOTLIGHT
WITH 12 X 3-IN-1 TUNABLE WHITE LED



DIMENSIONS (mm)



Features and specifications
subject to change without notice.

adamhall.com