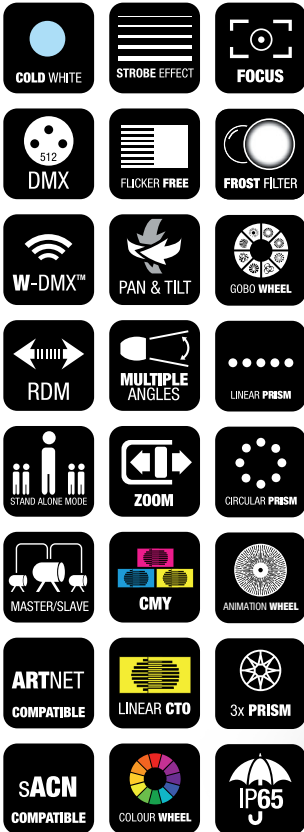


USER'S MANUAL
BEDIENUNGSANLEITUNG
MANUEL D'UTILISATION
MANUAL DE USUARIO
INSTRUKCJA OBSŁUGI
MANUALE D' USO



ORON® H2

IP65 HYBRID PHOSPHOR-LASER MOVING HEAD
CLORONH2

CONTENTS / INHALTSVERZEICHNIS / CONTENU / CONTENIDO / TREŚĆ / CONTENUTO

ENGLISH

INFORMATION ON THIS USER MANUAL	6
INTENDED USE	6
EXPLANATIONS OF TERMS AND SYMBOLS	6
SAFETY INSTRUCTIONS	8
NOTES ON PORTABLE OUTDOOR DEVICES	13
PACKAGING CONTENT	14
CONNECTIONS AND OPERATING/DISPLAY ELEMENTS	15
OPERATION	18
SET-UP AND INSTALLATION	29
CARE, MAINTENANCE, AND REPAIR	31
DIMENSIONS	32
TECHNICAL DATA	33
EXPLANATION OF IP PROTECTION CLASS	35
MINIMUM DISTANCE TO ILLUMINATED SURFACE	35
MINIMUM DISTANCE TO NORMALLY FLAMMABLE MATERIALS	35
DISPOSAL	36
MANUFACTURER'S DECLARATIONS	36

DEUTSCH

INFORMATIONEN ZU DIESER BEDIENUNGSANLEITUNG	37
BESTIMMUNGSGEMÄSSER GEBRAUCH	37
BEGRIFFS- UND SYMBOLERKLÄRUNGEN	37
SICHERHEITSHINWEISE	39
HINWEISE FÜR ORTSVERÄNDERLICHE OUTDOOR-GERÄTE	45
LIEFERUMFANG	45
ANSCHLÜSSE, BEDIEN- UND ANZEIGEELEMENTE	46
BEDIENUNG	49
AUFSTELLUNG UND MONTAGE	60
PFLEGE, WARTUNG UND REPARATUR	62
ABMESSUNGEN	63
TECHNISCHE DATEN	64
ERLÄUTERUNGEN ZUR IP-SCHUTZART	66
MINDESTABSTAND ZUR BELEUCHTETEN FLÄCHE	66
MINDESTABSTAND ZU NORMAL ENTFLAMMBAREN MATERIALIEN	66
ENTSORGUNG	67
HERSTELLERERKLÄRUNGEN	67

FRANÇAIS

INFORMATIONS SUR CE MANUEL D'UTILISATION	69
UTILISATION PRÉVUE	69
EXPLICATION DES TERMES ET PICTOGRAMMES	69
CONSIGNES DE SÉCURITÉ	72
REMARQUES À PROPOS DES APPAREILS PORTABLES	77
POUR EXTÉRIEUR	77
CONTENU DU CARTON	78
CONNECTEURS, CONTRÔLES ET INDICATEURS	79
UTILISATION	83
MONTAGE ET INSTALLATION	95
ENTRETIEN, MAINTENANCE ET RÉPARATION	96
DIMENSIONS	98
CARACTÉRISTIQUES TECHNIQUES	99
EXPLICATION DE LA CLASSE DE PROTECTION IP	101
DISTANCE MINIMALE PAR RAPPORT À LA SURFACE ÉCLAIRÉE	102
DISTANCE MINIMALE PAR RAPPORT AUX MATÉRIAUX	102
INFLAMMABLES ORDINAIRES	102
MISE AU REBUT	102
DÉCLARATIONS DU FABRICANT	103

ESPAÑOL

INFORMACIÓN SOBRE ESTE MANUAL DE USUARIO	104
USO PREVISTO	104
EXPLICACIONES DE TÉRMINOS Y SÍMBOLOS	104
INSTRUCCIONES DE SEGURIDAD	106
NOTAS SOBRE LOS DISPOSITIVOS PORTÁTILES DE EXTERIOR	112
CONTENIDO DEL EMBALAJE	112
CONEXIONES, MANDOS E INDICADORES	113
FUNCIONAMIENTO	116
INSTALACIÓN Y MONTAJE	127
CUIDADO, MANTENIMIENTO Y REPARACIÓN	129
DIMENSIONES	130
CARACTERÍSTICAS TÉCNICAS	131
EXPLICACIÓN DE LA CLASE DE PROTECCIÓN IP	133
DISTANCIA MÍNIMA A LA SUPERFICIE ILUMINADA	133
DISTANCIA MÍNIMA A MATERIALES NORMALMENTE INFLAMABLES	134
RECICLAJE	134
DECLARACIÓN DEL FABRICANTE	134

POLSKI

INFORMACJE NA TEMAT NINIEJSZEJ INSTRUKCJI OBSŁUGI	136
ZAMIERZONE ZASTOSOWANIE	136
INSTRUKCJE BEZPIECZEŃSTWA	138
UWAGI DOTYCZĄCE PRZENOŚNYCH URZĄDZEŃ DO ZASTOSOWAŃ ZEWNĘTRZNYCH	144
ZAWARTOŚĆ OPAKOWANIA	144
PRZYŁĄCZA, ELEMENTY OBSŁUGI I WSKAŹNIKI	146
OBSŁUGA	149
KONFIGURACJA I INSTALACJA	161
PIELĘGNACJA, KONSERWACJA I NAPRAWA	163
WYMIARY	164
DANE TECHNICZNE	165
WYJAŚNIENIE KLASY OCHRONY IP	167
MINIMALNA ODLEGŁOŚĆ OD OŚWIETLANEJ POWIERZCHNI	167
MINIMALNA ODLEGŁOŚĆ OD NORMALNIE ŁATWOPALNYCH MATERIAŁÓW	168
UTYLIZACJA	168
DEKLARACJE PRODUCENTA	168

ITALIANO

INFORMAZIONI SU QUESTO MANUALE DI ISTRUZIONI	170
USO PREVISTO	170
SPIEGAZIONI DI TERMINI E SIMBOLI	170
ISTRUZIONI DI SICUREZZA	172
NOTE SUI DISPOSITIVI PORTATILI PER ESTERNI	178
CONTENUTO DELL'IMBALLAGGIO	178
CONNESSIONI, ELEMENTI DI COMANDO E DI VISUALIZZAZIONE	179
FUNZIONAMENTO	182
INSTALLAZIONE E MONTAGGIO	193
CURA, MANUTENZIONE E RIPARAZIONE	195
DIMENSIONI	196
DATI TECNICI	197
SPIEGAZIONE DELLA CLASSE DI PROTEZIONE IP	199
DISTANZA MINIMA DALLA SUPERFICIE ILLUMINATA	199
DISTANZA MINIMA DA MATERIALI NORMALMENTE INFIAMMABILI	200
SMALTIMENTO	200
DICHIARAZIONI DEL PRODUTTORE	200

DMX CONTROL / DMX STEUERUNG / PILOTAGE DMX / CONTROL DMX / STEROWANIE DMX / CONTROLLO DMX

203

YOU HAVE MADE THE RIGHT CHOICE!

This device has been developed and manufactured to the highest quality standards to ensure many years of trouble-free operation. Please read this user manual carefully to be able to quickly put your new Cameo Light product to optimum use. Further information about Cameo Light is available on our website **CAMEOLIGHT.COM**

INFORMATION ON THIS USER MANUAL

- Carefully read the safety instructions and the entire manual before operating the device.
- Observe the warnings on the device and in the user manual.
- Always keep the user manual within reach.
- If you sell or pass on the device, it is important that you also include this user manual, as it is an integral part of the product.

INTENDED USE

This product is a device for event technology!

This product has been developed for professional use in the field of event technology and is not suitable for use as lighting in homes and residential areas!

The device must not be used to illuminate people!

The operator is responsible for ensuring that no persons are exposed to the light beam or its reflections. Temporary operation! Event equipment is designed for temporary use only and is not intended for continuous use or permanent installation! Furthermore, this product is only intended for qualified users with specialist knowledge of event technology!

Use of the product that is not in accordance with the specified technical data and operating conditions is considered improper use!

Liability is exempted when damage and third-party damage to persons and property is caused by inappropriate use!

The product is not suitable for:

- Children (children must be instructed not to play with the appliance).
- Persons with reduced physical, sensory or mental capabilities or lack of experience and knowledge.

EXPLANATIONS OF TERMS AND SYMBOLS

1. **DANGER:** The word DANGER, possibly in combination with a symbol, indicates immediately hazardous situations or conditions for life and limb.
2. **WARNING:** The word WARNING, possibly in combination with a symbol, indicates potentially hazardous situations or conditions for life and limb.
3. **CAUTION:** The word CAUTION, possibly in combination with a symbol, indicates situations or conditions that may lead to injury.
4. **ATTENTION:** The word ATTENTION, possibly in combination with a symbol, indicates situations or conditions that may lead to damage to property and/or the environment.



This symbol identifies hazards that can cause electric shock.



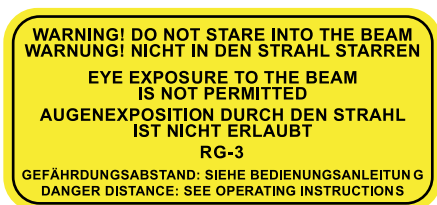
This symbol indicates hazardous areas or hazardous situations.



This symbol indicates hazards caused by hot surfaces.



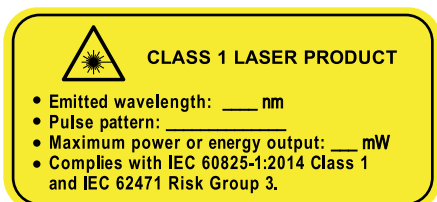
This symbol indicates that you must avoid looking or staring at the light source.



This symbol indicates that intense light sources categorised under risk group 3 may cause skin or eye damage.



This symbol indicates the direction in which potentially dangerous light is emitted from the light outlet.



This symbol indicates that the product is a risk group 3 device that complies with IEC 62471 and IEC 60825-01:2014.



This symbol indicates a risk of crushing.



This symbol indicates intense light sources.



This symbol indicates that the product has no serviceable parts. Only authorised personnel may carry out maintenance or service work.



This symbol indicates additional information on the operation of the product.



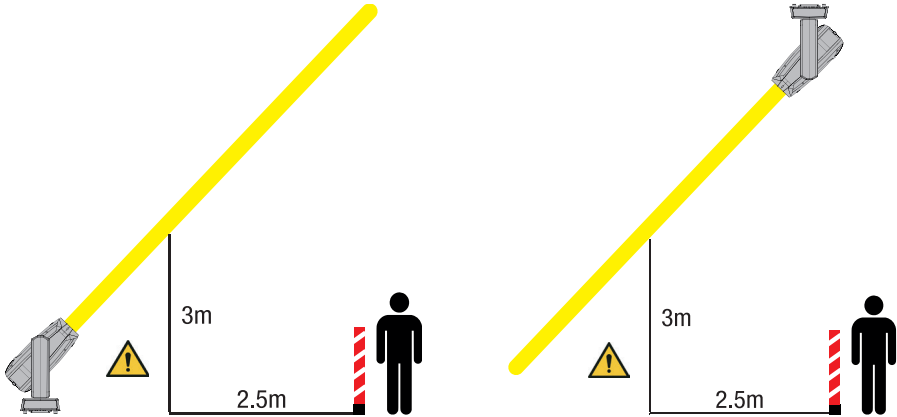
HAZARD ZONE

For risk group 3 devices, the hazard zone refers to the area in which the optical radiation poses a significant risk to health. This area is marked with a warning symbol in the following illustration.

Optical radiation

Risk of serious eye damage or blindness

1. Make sure that there is a minimum horizontal distance of 2.5 metres and a vertical distance of at least 3 metres to the hazard zone.
2. Make sure that nobody can enter the hazard zone. The hazard zone must be cordoned off by barriers.



SAFETY INSTRUCTIONS



WARNING! Optical radiation

Risk of serious eye damage or blindness

1. The device is intended exclusively for lighting effects in the air.
2. Do not use the device to illuminate people. Not suitable for use in residential areas.
3. The operator is responsible for ensuring that no persons are exposed to the light beam or its reflections.

**DANGER:**

1. Do not open the device, and do not make any modifications to it.
2. If your device no longer functions properly, if liquids or objects get inside it, or if it has been damaged in any other way, switch it off immediately and disconnect it from the power supply. The device may be repaired only by authorised qualified personnel.
3. For devices of protection class 1, the protective conductor must be connected correctly. Never disconnect the protective conductor. Devices of protection class 2 do not have a protective conductor.
4. Ensure that live cables are not kinked or otherwise mechanically damaged.
5. Never bypass the device fuse.

**WARNING:**

1. The device may not be operated if it shows obvious signs of damage.
2. The device may only be installed in a voltage-free state.
3. If the device's mains cable is damaged, the device may not be operated.
4. Permanently attached mains cables may only be replaced by a qualified person.

**ATTENTION:**

1. Do not operate the device if it has been exposed to large temperature fluctuations (for example, after transport). Moisture and condensation may damage the device. Switch on the device only when it has reached ambient temperature.
2. Make sure that the voltage and frequency of the mains correspond to the values specified on the device. If the device has a voltage selector switch, do not connect the device until it has been set correctly. Use only suitable mains cables.
3. To disconnect the device from the mains at all poles, it is not sufficient to press the on/off switch on the device.
4. Make sure that the fuse used corresponds to the type specified on the device.
5. Make sure that appropriate measures have been taken against power surges (for example, lightning strike).
6. Observe the specified maximum output current on devices with Power Out connection. Ensure that the total current consumption of all connected devices does not exceed the specified value.
7. Replace plug-in mains cables only with original cables.

**DANGER:**

1. Danger of suffocation/choking! Plastic bags and small parts must be kept out of reach of persons (including children) with reduced physical, sensory, or mental capabilities.
2. Danger caused by falling device! Make sure that the device is securely installed and cannot fall down. Only use suitable stands or mounts (particularly for fixed installations). Ensure that accessories are properly installed and secured. Ensure that applicable safety regulations are observed.

**WARNING:**

1. Use the device only in the prescribed manner.
2. Operate the device only with the accessories recommended and intended by the manufacturer.
3. During installation, observe the safety regulations applicable in your country.
4. After connecting the device, check all cable routes to avoid damage or accidents, for example, due to tripping hazards.
5. Always observe the specified minimum distance to normally flammable materials! Unless explicitly stated, the minimum distance is 0.3 m.
6. Always observe the minimum distance to the illuminated surface specified on the device!

**CAUTION:**

1. Moving components such as mounting brackets or other movable components may become jammed.
2. Devices with motor-driven components may result in injury from the movement of the device. Sudden movement of the device can cause shock reactions.
3. The exterior surface of the device can become very hot during regular operation. Ensure that accidental touching of the housing is not possible. Always allow the device to cool sufficiently before removal, maintenance work, charging, or similar.

**ATTENTION:**

1. Do not install or operate the device near any radiators, heat registers, stoves, or other heat sources. Ensure that the device is always installed in such a way that it is sufficiently cooled and cannot overheat.
2. Do not place ignition sources such as burning candles near the device.
3. Ventilation openings must not be covered, and fans must not be blocked.
4. Use the original packaging or packaging provided by the manufacturer for transport.
5. Avoid shock or impact to the device.
6. Observe the IP protection class, as well as the ambient conditions such as temperature and humidity according to the specification.
7. Devices can be constantly further developed. In the event of deviating information on operating conditions, performance, or other device properties between the user manual and the device labelling, the information on the device always takes priority.
8. The device is not suitable for tropical climates and for operation at heights of 2,000 m above sea level or higher.
9. Unless explicitly stated, the device is not suitable for operation in marine conditions.

CAUTION! IMPORTANT NOTES ON LIGHTING PRODUCTS!



1. This device is a risk group 3 device. Risk of serious skin and eye damage! Never look into the light source or the light beam, not even for a short time! Do not look directly into the lamp with optical instruments such as magnifying glasses or binoculars! Do not expose the skin to the light beam or its reflections!



2. Do not focus the light beam on flammable surfaces!



3. Stroboscopic effects may cause epileptic seizures in susceptible individuals!



4. Permanently installed lamps are built into these lighting units. These may not be replaced by the user. The lamps contained in this light source may only be replaced by the manufacturer, its service partner, or a similarly qualified person.



PERSONAL PROTECTIVE EQUIPMENT

Wear suitable protective equipment when assembling, setting up, and dismantling the device:

- Protective gloves
- Safety footwear
- LB4 safety goggles in accordance with EN 207 (must always be worn during set-up)



RADIO SIGNAL TRANSMISSION

(FOR EXAMPLE, W-DMX® OR AUDIO RADIO SYSTEMS):

The quality and performance of wireless signal transmissions generally depends on the ambient conditions.

For example, the following factors can impact range and signal stability:

Shielding (for example, masonry, metal structures, water)

High volumes of radio traffic (for example, powerful wireless LAN networks)

Interference

Electromagnetic radiation (for example, LED video screens, dimmers)

All range specifications refer to free-field line-of-sight applications without interference!

The operation of radio transmission systems is subject to official regulations. These may vary from region to region and must be checked by the operator before use (for example, radio frequency and transmission power).



WARNING: Devices with wireless signal transmission are not suitable for use in sensitive areas in which radio operation can lead to potentially detrimental interactions. These include:

- Hospitals, health centres, or other healthcare facilities that provide patient treatment with qualified personnel and equipment.
- Hazardous areas Class I, II, and III
- Restricted areas
- Military facilities
- Aircraft or vehicles
- Areas where the use of mobile phones is prohibited



TRANSMISSION VIA W-DMX®

WARNING: In general, wireless DMX transmission must not be used for applications involving safety-related factors that might result in personal injury or property damage in the event of a failure.

This applies in particular to moving scene or truss structures, DMX-controlled motors/lifts, or lifting devices for operating DMX-operated platform lifts, hydraulic systems, or comparable moving components.

Furthermore, wireless DMX transmission must not be used to control flame or pyrotechnic devices, explosion-driven effects, or gas or liquid effects. These include CO₂ cannons, confetti shooters, water effects, or similar.

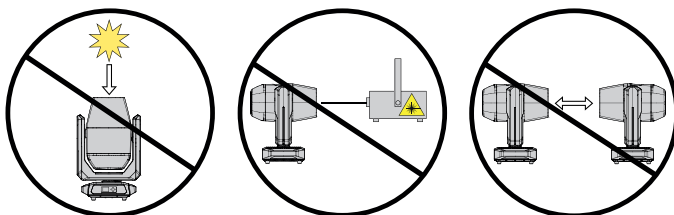


ATTENTION! POTENTIAL DAMAGE FROM EXTERNAL LIGHT SOURCES!

Solar radiation, laser radiation, and bundled light beams from other lights can damage the housing and internal components, such as filters, gobo and colour wheels, motors, cables, belts, as well as light sources!

Do not expose the device and especially the lens opening to direct sunlight, laser radiation, and bundled light beams from other lights during unpacking, installation, prolonged disuse, and operation! Always point the lens opening towards the floor when the device is not in use! For this purpose, also use the Sun Protection function, which can be activated via DMX command (see Device Settings channel in the DMX table). A built-in gyroscope sensor detects the orientation of the device.

Damage caused by external light sources is excluded from the manufacturer's warranty!





BLACKOUT ZONES

DMX can be used to set up zones (viewing area, stage area, and similar) where a blackout is automatically activated as soon as the light beam reaches a zone via pan and tilt movement. Only one of the three available blackout zones can be activated at a time.

Setting up blackout zones:

1. Device settings: Value 004 – 005 **Enable Savings B0 Zone**
2. Define square (blackout zone) with **Save Position 1** to **Save Position 4** (the pan and tilt values set for the respective positions)
3. Save a defined square in a zone with **Save Positions to Zone A** to **Save Positions to Zone C**
4. Activate blackout zone with **Blackout Zone A active** or **Blackout Zone B active** or **Blackout Zone C active**

The device gives a brief stroboscopic effect to confirm that a position or zone has been successfully saved.

Once a blackout zone is set up, the position of the device must not be changed!

Blackout Zone	000	–	005	Blackout Zone deactivated
	006	–	046	Save Position 1
	047	–	087	Save Position 2
	088	–	108	Save Position 3
	109	–	129	Save Position 4
	130	–	150	Save Positions to Zone A
	151	–	171	Save Positions to Zone B
	172	–	192	Save Positions to Zone C
	193	–	213	Blackout Zone A active
	214	–	234	Blackout Zone B active
	235	–	255	Blackout Zone C active
Device settings (hold value for 3 seconds)	000	–	003	No function
	004	–	005	Enable Savings B0 Zone



NOTES ON PORTABLE OUTDOOR DEVICES

1. Temporary operation! Event equipment is generally only designed for temporary operation.
2. Continuous operation or permanent structural installation – particularly outdoors – can impair the function, surfaces, and seals and cause premature material fatigue.
3. Damage to the surface coating can impair the device's corrosion protection. Damaged surface coating (for example, scratches) must be promptly repaired using suitable measures.

PACKAGING CONTENT

Remove the product from the packaging and remove all packaging material.

Please check the completeness and integrity of the delivery, and notify your distribution partner immediately after purchase if the delivery is not complete or if it is damaged.

The packaging content for the product includes:

- ▶ 1 × ORON H2 moving head
- ▶ 1 × Mains cable
- ▶ 2 × Omega bracket
- ▶ Safety and compliance information (user manual as a download via QR code)

CONTROL FUNCTIONS:

24-, 27-, and 33-channel DMX control

Master/slave operation

Stand-alone operation

W-DMX®

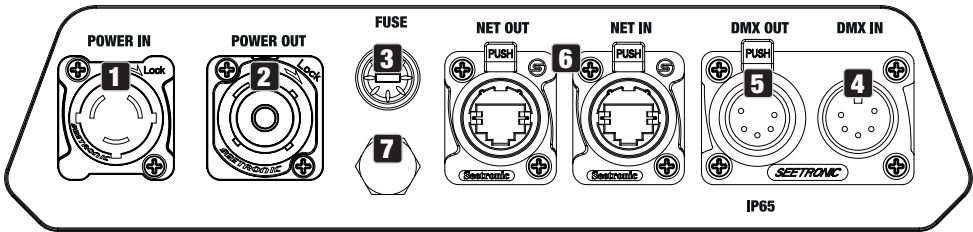
FEATURES:

IP65 protection class. Laser Phosphor Engine 260 W. DMX512. Wireless DMX. Art-Net and sACN.

5-pin DMX connections. 2 × omega mounting bracket included. Operating voltage: 100 – 240 V AC.

The light supports the remote device management (RDM) standard. Remote device management allows the user to monitor the status and configuration of RDM devices using an RDM-capable controller, such as the optionally available Cameo UNICON (item number CLIREMOTE).

CONNECTIONS AND OPERATING/DISPLAY ELEMENTS



1 POWER IN

IP65 mains input socket with rubber sealing cap. Operating voltage 100–240 V AC / 50–60 Hz. Connection via supplied mains cable (when not in use, always close with the rubber sealing cap).

2 POWER OUT

IP65 mains output socket with rubber sealing cap. Enables power supply to other CAMEO lights. Ensure that the total current consumption of all connected devices does not exceed the value specified on the device in amperes (A) (when not in use, always close the rubber sealing cap).

3 FUSE

IP65 fuse holder for 5 × 20 mm fuses. **IMPORTANT NOTE:** Only replace the fuse with a fuse of the same type and value. Carefully reseal the fuse holder to further ensure IP65 tightness. In the event of repeated fuse failure, please contact an authorised service centre.

4 DMX IN

Male IP65 5-pin XLR socket for connecting a DMX control device (for example, DMX console; when not in use, always close with the rubber sealing cap).

5 DMX OUT

Female IP65 5-pin XLR socket for relaying the DMX control signal (when not in use, always close with the rubber sealing cap).

6 NET IN / OUT

RJ45 network connectors for connecting to an Art-Net or sACN network and for relaying the control signal (when not in use, always close with the rubber sealing cap). Use cables with IP65 rating and CAT 5e or better cables to set up the network.

7 PRESSURE EQUALISATION ELEMENT

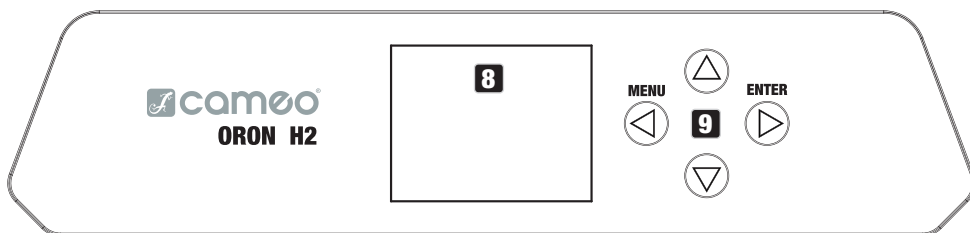
Pressure equalisation element to prevent condensation inside the housing. In order to ensure its proper functioning, the element must be protected from dirt.

ANTENNA

The antenna for wireless DMX control is located inside the base of the device.



ATTENTION: In order to provide protection from water sprays in accordance with the IP65 protection class, the special DMX input and output sockets must be used with special IP65-rated XLR connectors, or they must be closed using the rubber sealing caps. When connected correctly, or when sealed correctly with the rubber sealing caps, the POWER IN and POWER OUT mains sockets are protected from splashing water, as in accordance with IP65.



8 LC DISPLAY

The illuminated display shows the currently activated operating mode (main display), the menu items in the main menu and sub-menus, and the numerical value or status in certain menu items. If there is no control signal to the device, the characters in the centre of the display start flashing; the flashing stops as soon as a control signal is available (W-DMX®, DMX, and slave operation).

9 TOUCH-SENSITIVE CONTROL PANELS

MENU – Press MENU to access the main menu. Press again or repeatedly to return to the main display.

▲ and ▼ – Use ▲ and ▼ to select the menu items in the main menu (for example, DMX address, operating mode) and in the sub-menus. Change the value or status of a menu item, such as DMX address.

ENTER – Press ENTER to access the menu layer to make value or status changes, and to access one of the sub-menus. Confirm value or status changes by pressing ENTER.

PLEASE NOTE:

- Before navigating the device menu, make sure that the control panel is dry and clean so that its functionality is not impaired.
- Moisture on the control panel can lead to incorrect operation of the light, for example, in outdoor conditions. Therefore, after configuring the light, activate the lock function to prevent incorrect operation by water (Settings -> Display -> Autolock). Deactivate the lock function: Press ▲ and ▼ simultaneously for approximately 5 seconds.

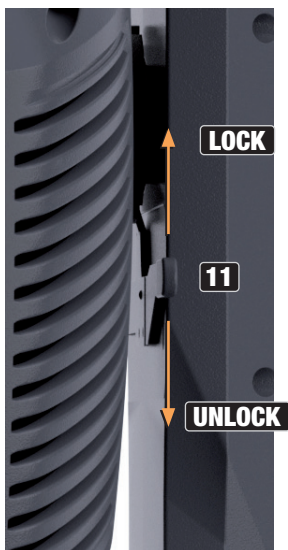


The battery-powered display can be activated even if the device is disconnected from the mains. To do this, press and hold MENU for approximately 10 seconds. You can now access device information and change and save system settings without mains connection. The external control of the light is not activated in this case. For this reason, the display shows that there is no control signal even if the device has a control signal.



10 PAN LOCK

Mechanical locking device used to prevent rotation of the head in the horizontal direction during transport (eight possible positions). Disconnect the unit from the mains and slide the locking lever towards the pan rotation axis, moving the head of the unit horizontally until one of the eight locking positions is found and the locking lever engages. Unlock the locking device before device start-up (UNLOCK).



11 TILT LOCK

Mechanical locking device used to prevent rotation of the head in the vertical direction during transport (seven possible positions). Disconnect the unit from the mains and slide the locking lever towards the tilt rotation axis, moving the head of the unit vertically until one of the seven locking positions is found and the locking lever engages (LOCK). Unlock the locking device before device start-up (UNLOCK).

12 RECESSED GRIPS

In addition to the two transport handles on the base of the device, there are convenient recessed grips at the top of the inner sides of the two device arms.



OPERATION

Notes

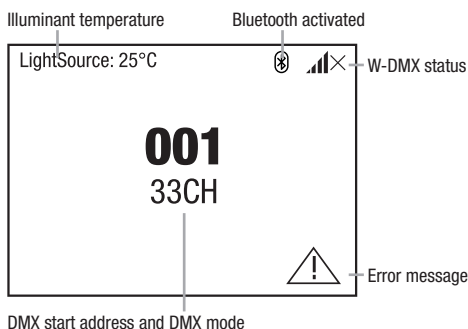
When the light is correctly connected to the mains, “Software update ... please wait”, the software version, “Welcome to Cameo”, and “... RESET” are shown on the display during start-up and motor reset. After this process, the light is ready for operation, and the previously activated operating mode is launched.

The main display is activated automatically if no input is made within approximately 30 seconds.

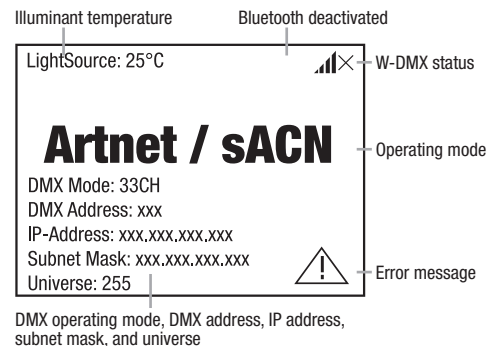
MAIN DISPLAY

In the different operating modes, the main display shows different information which is relevant to the operating mode.

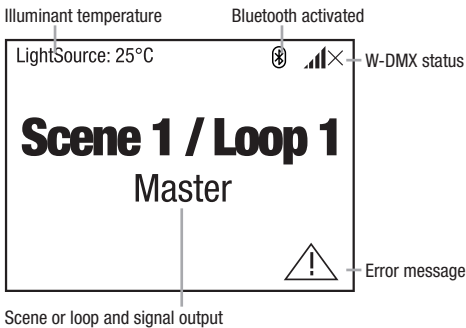
DMX and W-DMX® operating modes



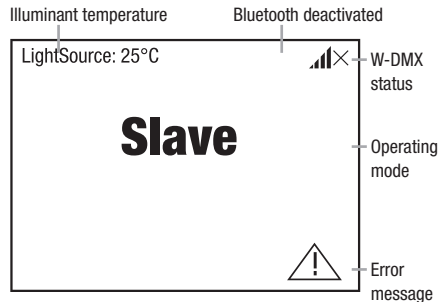
Art-Net and sACN operating modes



Stand-alone operating modes



Slave operating mode



Note on the main display in the operating modes with external control: In the event that the control signal is interrupted, the characters in the centre of the display begin flashing; once the control signal is present again, the flashing stops.

Error message: If the warning symbol (triangle with exclamation mark) appears in the display, there is an error in one or more of the device's components. Which components are affected can be seen in the **System Info Menu** under **Error Info**. If a restart or reset does not rectify the error, please contact an authorised service centre.

WIRELESS DMX

To pair a wireless DMX receiver with a wireless DMX-compatible transmitter, the reset command must be executed in the menu item "WDMX" under "Receiver" (select "Unlink" and confirm). The receiver is now ready to pair and waiting for a pairing request from a transmitter. Start the pairing by selecting "Link" in the menu of the transmitter and confirming; the pairing now takes place automatically. Simultaneous or consecutive pairing of several receivers to a transmitter (for example, for master/slave operation) can also be done in the same manner. A wireless DMX connection is always maintained until it is disconnected with the reset command in the receiver or the unlink command in the transmitter, regardless of whether a device has been disconnected from the power supply in the meantime.

WIRELESS DMX STATUS

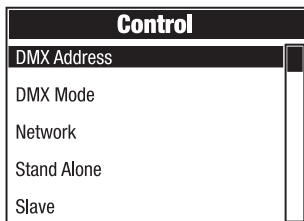
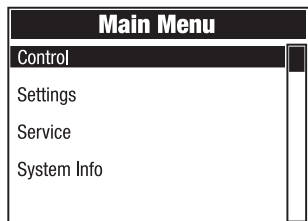
W-DMX® deactivated	W-DMX® activated as receiver; not paired	W-DMX® activated as receiver and paired; transmitter switched off or out of range	W-DMX® activated as receiver and paired; no DMX signal	W-DMX® activated as receiver and paired; DMX signal present	W-DMX® activated as transmitter

CONTROL MENU (Control)

The “Control” menu is used to select the various operating modes and set their options in the respective sub-menus.

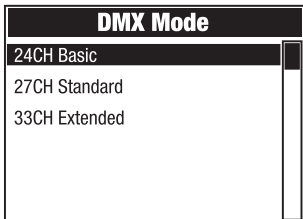
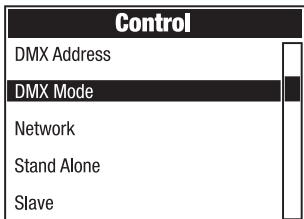
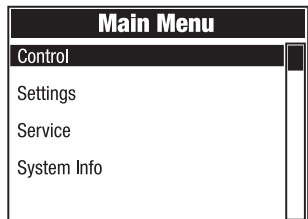
SETTING THE DMX START ADDRESS (DMX Address)

Starting from the main display, press MENU to access the main menu. Use ▲ and ▼ to select the **Control** menu and press ENTER. Now select the **DMX Address** menu item and confirm again. Use ▲ and ▼ to set the desired value and press ENTER to confirm.



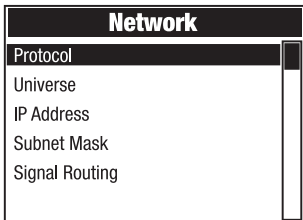
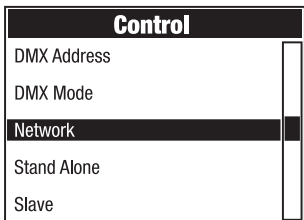
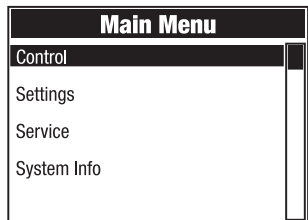
SETTING THE DMX OPERATING MODE (DMX Mode)

Starting from the main display, press MENU to access the main menu. Use ▲ and ▼ to select the **Control** menu and press ENTER. Now select the **DMX Mode** menu item and confirm again. Use ▲ and ▼ to select the desired DMX operating mode and press ENTER to confirm. DMX tables with the channel assignments can be found in the DMX CONTROL section of this user manual.



NETWORK (Network)

Starting from the main display, press MENU to access the main menu. Use ▲ and ▼ to select the **Control** menu and press ENTER. Now select the **Network** menu item and confirm again.



Information on the sub-menu items in the “Network” menu and the corresponding setting options can be found in the table below (select with ▲ and ▼, confirm with ENTER, change the value or status with ▲ and ▼, confirm with ENTER).

Art-Net network			
Protocol	Artnet	Control via Art-Net	
	sACN	Control via sACN	
Universe	Absolute Univ.	Setting of the absolute Art-Net universe	Dependent on net, subnet, and universe
	Net	Setting of the Art-Net network	
	Subnet	Setting of the Art-Net subnet	Dependent on absolute universe
	Universe	Setting of the Art-Net universe	
IP Address	xxx.xxx.xxx.xxx	Setting of the IP address: Set first block, confirm, set second block, confirm.	
Subnet Mask	xxx.xxx.xxx.xxx	Setting of the subnet mask: Set first block, confirm, set second block, confirm.	
Signal Routing	Send to XLR	Relaying of the control signal to XLR Out	
	Backup by XLR	Control via XLR with network signal interruption	
	Receive only	No connection between network signal and XLR connectors	

sACN network		
Protocol	Artnet	Control via Art-Net
	sACN	Control via sACN
Universe		Setting of the sACN universe
IP Address	xxx.xxx.xxx.xxx	Setting of the IP address: Set first block, confirm, set second block, confirm.
Subnet Mask	xxx.xxx.xxx.xxx	Setting of the subnet mask: Set first block, confirm, set second block, confirm.
Signal Routing	Send to XLR	Relaying of the control signal to XLR Out
	Backup by XLR	Control via XLR with network signal interruption
	Receive only	No connection between network signal and XLR connectors

STAND-ALONE MENU (Stand Alone)

In the stand-alone operating modes “Play Scene” and “Play Loop”, the control signal of the corresponding operating mode can be output to slave units via XLR (Master/Alone -> Master). If you do not want to output the control signal, deactivate the output (Master/Alone -> Alone).

Activate one of the eight available scenes (Scene 1–8) or one of the eight available loops (Loop 1–8). The scenes and loops are pre-programmed, but can be customised (Edit Scene/Edit Loop).

Starting from the main display, press MENU to access the main menu. Use ▲ and ▼ to select the **Control** menu item and confirm with ENTER. Now select the menu item **Stand Alone** and confirm again.

Main Menu	Control	Stand Alone
Control	DMX Address	Master/Alone
Settings	DMX Mode	Play Scene/Loop
Service	Network	Edit Scene
System Info	Stand Alone	Edit Loop
	Slave	Enable Full Power

Information on the sub-menu items in the “Stand-alone” menu and the corresponding setting options can be found in the table below (select with ▲ and ▼, confirm with ENTER, change the value or status with ▲ and ▼, confirm with ENTER).

Stand Alone				
Master/Alone	Master	Control signal is relayed via DMX OUT		
	Alone	Control signal is not relayed		
Play Scene/ Loop	Scene	Scene 1 - 8	Selection and activation of the desired scene	
	Loop	Loop 1 - 8	Selection and activation of the desired loop	
Edit Scene	Scene 1 - 8	Pan	Set each scene individually. Scenes are activated by selecting them.	
		Tilt		
		Dimmer		
		...		
Edit Loop	Loop 1 - 8	Step	1 - 8	Selection of Step 1–8
		t-Step	0s - 20min	Setting of the step time
		t-Fade	0s - 20min	Setting of the fade time
		User Scene	1 - 8	Selection of Scene 1–8
		Skip Step	No / Yes	Skip step: No/Yes
Enable Full Power	Safety Check OK	Before activating Full Power, make sure that there are no people in the light beam (safety check)! When another operating mode is activated, Full Power is automatically deactivated.		
	Back	Do NOT activate Full Power without a safety check! Press “Back”!		

SLAVE MODE (Slave)

Starting from the main display, press MENU to access the main menu. Use ▲ and ▼ to select the **Control** menu item and confirm with ENTER. Now select the menu item **Slave** and confirm again. Activate the output of the control signal in the master unit (Control -> Stand Alone -> Master/ Alone -> Master). Connect the slave and master units (same model, same software version) with a DMX cable or via W-DMX® and activate the stand-alone operating mode “Play Scene” or “Play Loop” in the master unit. The slave unit will now follow the master unit.

Main Menu	Control
Control	DMX Address
Settings	DMX Mode
Service	Network
System Info	Stand Alone
	Slave

SYSTEM SETTINGS (Settings)

Starting from the main display, press MENU to access the main menu. Use ▲ and ▼ to select **Settings** and confirm with ENTER.

Main Menu	Settings
Control	Wireless
Settings	Display
Service	Dimmer
System Info	Movement
	Wheels
	Sun Protection
	Fan
	Signal Fail
	Store Default

Information on the sub-menu items in the “Settings” menu and the corresponding setting options can be found in the table below (select with ▲ and ▼, confirm with ENTER, change the value or status with ▲ and ▼, confirm with ENTER).

Settings (bold = factory setting)				
Wireless	Wireless settings	State	On	Wireless module activated
			Off	Wireless module deactivated
		Operating Mode	RX	Wireless module = receiver
			TX CRMX	Wireless module = transmitter with CRMX transmitter standard
			TX G3	Wireless module = transmitter with G3 transmitter standard
			TX G4s	Wireless module = transmitter with G4s transmitter standard
		Linking	Unlink	Disconnect wireless DMX connections and place in pairing standby mode

Wireless	Wireless settings	Linking	Link/Force to pair	Pairing with compatible, ready-to-pair wireless devices		
		Linking Key	Linking Key	Setting of the connection key		
			CRMX Mode (only available with operating mode = RX)	CRMX	Receiver standard = CRMX	
				CRMX2	Receiver standard = CRMX2	
			CRMX Universe	A - H	Selection of CRMX universe A to H	
		Universe Metadata	RGB Colour Code	Red, Orange, Yellow, Green, Cyan, Blue, Purple, White	RGB code for colour display of the universe	
			Universe Name	A 16-character string with a customizable name that identifies the universe		
		Bluetooth	State	On	Bluetooth switched on	
				Off	Bluetooth switched off	
			Pin	On	PIN request switched on (factory setting 081569)	
				Off	PIN request switched off	
		Signal Routing	Send to XLR	Relaying of the control signal to XLR (DMX OUT)		
			Backup by XLR	Control via XLR (DMX IN) with wireless signal interruption		
			Receive only	No connection between wireless DMX signal and XLR connectors		
Display	Display settings	Reverse	On	180° display rotation (for example, for overhead installation)		
			Off	No display rotation		
			Auto	Automatic position detection (upright/overhead mounting)		
		Off Timer	Always On	Permanently on		
			Off after 20s	Deactivation after approximately 20 seconds of inactivity		
		Autolock	On after 60s	Controls locked after approximately 60 seconds without input (LOCKED). Unlock: Press UP and DOWN simultaneously for approximately 5 seconds.		
			Off	Autolock function deactivated		

Dimmer	Dimmer settings	Curve	Linear	Light intensity increases linearly with DMX value
			Exponential	Light intensity can be finely adjusted at lower DMX values and broadly adjusted at higher DMX values
			Logarithmic	Light intensity can be broadly adjusted at lower DMX values and finely adjusted at higher DMX values
			S-Curve	Light intensity can be finely adjusted at lower and higher DMX values and broadly adjusted at medium DMX values
		PWM Frequency	650 Hz, 1530 Hz, 3600 Hz, 12 kHz, 18.9 kHz, 25 kHz	Selection of the LED PWM frequency
		Response	Light Source	The light responds immediately to changes in the DMX value
Halogen	The light behaves in a similar way to a halogen light with gradual changes of brightness			
Movement	Head movements settings	Pan Reverse	On	Pan direction reversed
			Off	Pan direction not reversed
		Tilt Reverse	On	Tilt direction reversed
			Off	Tilt direction not reversed
		Pan Angle	540°	Pan angle 540°
			630°	Pan angle 630°
		Position Feedback	On	Automatic position correction activated
			Off	Automatic position correction deactivated
		Move in Black	On	Blackout during head movement
			Off	No blackout during head movement
Silent Movement	On	Slowed motor movements for quieter operation		
	Off	Function deactivated		

Wheels	Gobo and colour wheel settings	Gobo Wheel	Position	Clockwise	Gobo wheel always rotates clockwise
				Shortest Way	Gobo wheel rotates the shortest distance
			Movement	Snap	Gobo wheel jumps directly back to the desired gobo when the relevant value is reached
				Scroll	Continuous rotation of the gobo wheels
		Color Wheel	Position	Clockwise	Gobo wheel always rotates clockwise
				Shortest Way	Gobo wheel rotates the shortest distance
			Movement	Snap	Colour wheel jumps directly back to the desired colour filter when the relevant value is reached
				Scroll	Continuous rotation of the colour wheel
		Move in Black	On	Blackout in the event of value changes in the colour and gobo wheels	
			Off	No blackout in the event of value changes in the colour and gobo wheels	
Sun Protection	Protective function for the internal components	On	Activates blackout and the device head is directed downwards		
		Off	Function deactivated		
Fan	Fan setting	Auto	Automatic fan control		
		Off	Deactivated fan with greatly reduced brightness		
		Constant Low	Constant low fan speed with reduced brightness, if necessary		
		Constant Mid	Constant average fan speed with reduced brightness, if necessary		
		Constant High	Constant high fan speed		

Signal Fail	Operational status with DMX signal fault	Hold	Last command is retained
		Last Stand Alone	The last selected stand-alone operating mode is activated
		Fade to Black (10s)	10-second fade to blackout
		Blackout	Activates blackout
		Sun Protection	Activates blackout, and the device head is directed downwards
Store Default	Save settings in three custom presets	User A	Save all current settings as user preset A
		User B	Save all current settings as user preset B
		User C	Save all current settings as user preset C

SERVICE MENU (Service)

Starting from the main display, press MENU to access the main menu. Use ▲ and ▼ to select **Service** and confirm with ENTER.

Main Menu
Control
Settings
Service
System Info

Service
Load Default
Reset
Test
Reset Service Timer
Password

Information on the sub-menu items in the “Service” menu and the corresponding options can be found in the table below (select with ▲ and ▼, confirm with ENTER, select command with ▲ and ▼, confirm with ENTER).

Service		
Load Default	Factory Default	Reset to factory setting
	User A	Reset to user A values (save user values: Settings -> Store Default)
	User B	Reset to user B values (save user values: Settings -> Store Default)
	User C	Reset to user C values (save user values: Settings -> Store Default)
Reset	Pan/Tilt	Reset pan/tilt motors
	Head	Reset motors in the device head
	All	Reset all motors

Test	Test Sequence	Pre-programmed sequence to test all components
	Stress Test	Pre-programmed sequence to test all components under maximum load
	Motor Test	Activate all motors individually with values of 000 to 255
Reset Service Timer	No	Do not reset service operation time
	Yes	Reset service operating time
Password	For service purposes only	

SYSTEM INFORMATION (System Info)

Starting from the main display, press MENU to access the main menu. Use ▲ and ▼ to select **System Info** and confirm with ENTER.

Main Menu	System Info
Control	Firmware
Settings	Wireless
Service	Temperature
System Info	Fan Speed
	Runtime
	MAC Address
	RDM UID
	DMX Values
	Error Info
	DMX Table

Information on the sub-menu items in the “System Info” menu and the corresponding options can be found in the table below (select with ▲ and ▼, confirm with ENTER).

System info			
Firmware	DISP	Vx.x.x	Display of the firmware version of the corresponding component
	CTR1-Motor	Vx.x.x	
	...	Vx.x.x	
Wireless	Module	TimoTwo	Wireless module model
	Device Name	ORONH2-xxxx	Device name
	Version	HW (Hardware)	Hardware version number
		SW (Software)	Software version number
	Link Quality	%	Connection quality in per cent
Data Source	None / DMX / Wireless Link / SPI / BLE	Information on the data source	

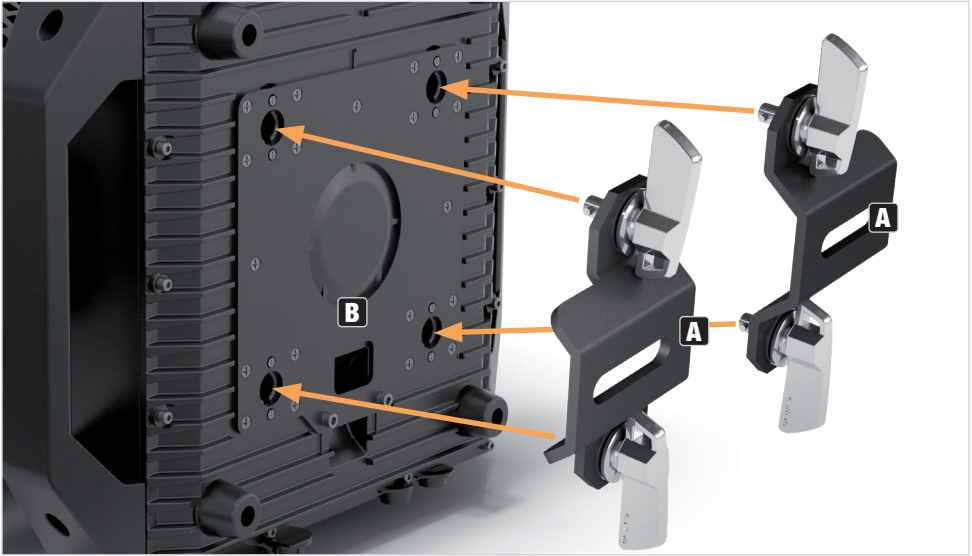
Wireless	Status	Operational: DMX Data: RDM Identify: RF Link: Link State:	Status information
Temperature	Light Source	xxx °C/°F	Display of the temperature of the corresponding component
	Base	xxx °C/°F	
	Temperature Unit	°C °F	Setting of the temperature unit (press ENTER to change)
Fan Speed	xxxx RPM	Display of the speed of the corresponding fan	
Runtime	Total	xxxx h : xx m	Total operating time
	Operation	xxxx h : xx m	Time in use
	Light Source	xxxx h : xx m	Lamp operating time
	Service	xxxx h : xx m	Operating time since the last reset of the service operating time
MAC Address	xx:xx:xx:xx:xx:xx	MAC address	
RDM UID	RDM unique identifier		
DMX Values	Display of the DMX values present		
Error Info	Error display in case of malfunction		
DMX Table	Display of DMX mode tables		

SET-UP AND INSTALLATION

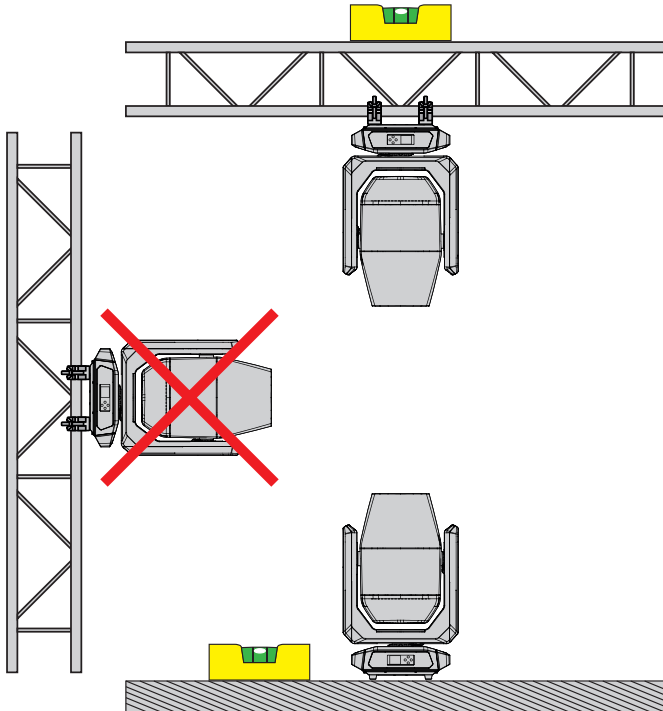


DANGER: Overhead mounting requires extensive experience, including calculating the load limit values of the mounting hardware and regular safety inspection of all installation materials and lights. If you do not have these qualifications, do not attempt to perform installation yourself. Refer instead to a qualified professional. There is a risk that devices that are incorrectly installed and secured may come loose and fall down. This can cause serious injury or death.

Thanks to its integrated rubber feet, the light can be positioned in a suitable location on a level surface. It can be truss-mounted using two omega brackets, which are attached to the base of the device (A). Two omega brackets are included in the packaging content. Suitable truss clamps are available as an option. Ensure firm connections, and secure the light to the securing lug (B) with a suitable safety cable.



USE POSITION



CARE, MAINTENANCE, AND REPAIR

In order to ensure the long-term, proper functioning of the device, it must be regularly cleaned and, if necessary, serviced. The care and maintenance required depends on the intensity of use and the environment in which it is used. We recommend a visual inspection before each operation. Furthermore, we recommend carrying out all the applicable service measures specified below once every 500 operating hours or, in the case of a lower intensity of use, at the latest after one year. Warranty claims may be limited should defects result from inadequate service and maintenance.



WARNING! Before carrying out any care or maintenance, the power supply – and, if possible, all device connections – must be disconnected.



NOTE! Improper care can lead to impairment or even destruction of the device.

1. Housing surfaces must be cleaned with a clean, damp cloth. Make sure that no moisture can penetrate the device.
2. Air inlets and outlets must be regularly cleaned of dust and dirt. If compressed air is used, make sure that damage to the device is prevented (for example, fans must be blocked in this case, as they could otherwise over-rev).
3. Cables and connectors must be cleaned regularly, and dust and dirt must be removed.
4. In general, no cleaning agents or abrasive agents may be used; otherwise, the surface finish may be damaged.
5. Devices must be stored in a dry environment and protected from dust and dirt.
6. To ensure correct and safe operation, all accessible or removable lenses and light-emitting apertures must be cleaned regularly.

MAINTENANCE AND REPAIR (by qualified personnel only)



DANGER! There are live components in the device. Even after disconnecting from the mains, there may still be residual voltage in the device, for example, due to charged capacitors.



PLEASE NOTE! Maintenance and repair work may only be carried out by sufficiently qualified personnel. If in doubt, consult a specialist workshop.



PLEASE NOTE! Improperly performed maintenance work may affect warranty claims.



PLEASE NOTE! For conversion or retrofit sets provided by the manufacturer, it is essential to observe the enclosed installation instructions.

DIMENSIONS (mm)

ENGLISH

DEUTSCH

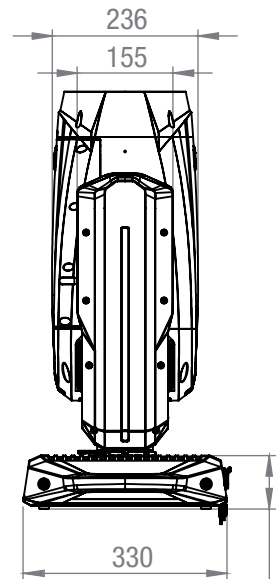
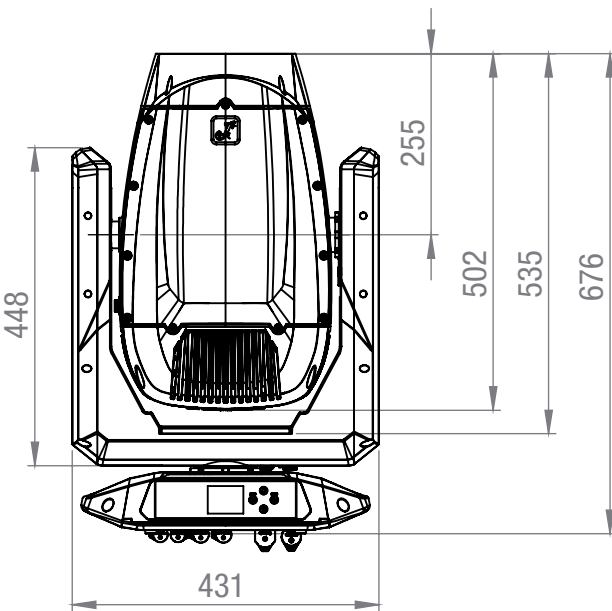
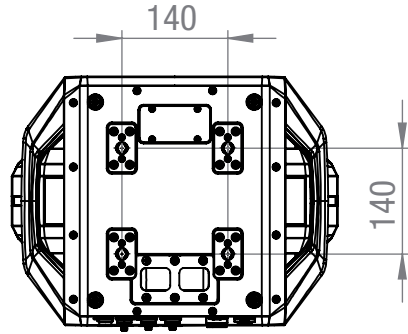
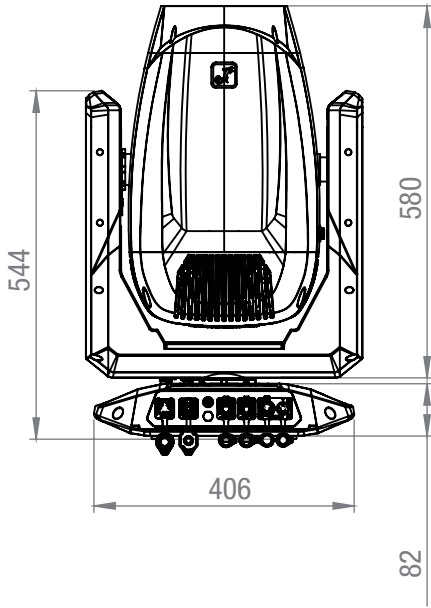
FRANCAIS

ESPAÑOL

POLSKI

ITALIANO

DMX



87

TECHNICAL DATA

Item no.:	CLORONH2
Product type:	IP65 PHOSPHOR LASER MOVING HEAD
Type:	Moving head
Source QTY:	1
Light source type:	Laser phosphor engine, 260 W
Light source minimum lifetime (L70):	>12,000 h (Lifetime defined as time to 70%/L70)
Colour temperature (light source):	8000 K
Colour temperature (output):	6500 K
Colour mixing:	CMY + CTO
CTO wheel:	3000 K–6500 K
CRI:	68 (native) >85 with high CRI filter
Colour wheel:	19 + open and continuous positioning
Fixed gobo wheel:	19 fix + 1 open
Rotating gobo wheel:	12 rotating + 1 open
Effects:	2 × prism levels (overlap) with 7 × effects (1st layer: 5 × prisms; 2nd layer: 1 × prism, ovaliser + 3 × frost filter (light/medium/heavy)
Beam angle:	0.6° – 32°
Pan angle:	Adjustable: 630° / 540°
Tilt angle:	270°
DMX in:	5-pin XLR male IP65
DMX out:	5-pin XLR female IP65
DMX modes:	24-CH basic, 27-CH standard, 33-CH extended
DMX functions:	Pan/tilt, pan/tilt fine, dimmer, dimmer fine, strobo, cyan, cyan fine, magenta, magenta fine, yellow, yellow fine, linear CTO, colour wheel, fixed gobo wheel, rotating gobo wheel, zoom, zoom fine, focus, focus fine, prism, prism rotation, frost, animation wheel
Stand-alone functions:	Play scene; play loop
Device settings:	Display flip, display backlight on/off, signal error, pan invert, tilt invert, feedback, move in black, test, reset, user defaults, blackout functions, colour/gobo wheel scroll/snap, auto lock, pan/tilt speed, lamp default, fan modes, sun protection, sleep mode

ENGLISH

DEUTSCH

FRANCAIS

ESPAÑOL

POLSKI

ITALIANO

DMX

PWM:	650 Hz, 1530 Hz, 3600 Hz, 12 kHz, 18.9 kHz, 25 kHz
Dimmer curves:	Linear / exponential / logarithmic / S-curve
Strobe:	1 Hz–20 Hz
Control:	DMX, RDM, Art-Net, sACN, WDMX/CRMX

Control elements:	4-button navigation (MENU / ENTER / UP / DOWN)
Display:	Backlit 2" TFT display
Operating voltage:	100–240 V AC / 50–60 Hz
Inrush current:	13 A / 1 ms @ 230 V (frist half cycle)
Protection class:	1

Surge protection:	>6000 V
Fuse:	6.3 A / 250 V
Power consumption:	460 W
Illuminance:	330000 lx @ 20 m @ 0.6°
Power connector:	Seetronic IP65 input and output

IP rating:	IP65
Ambient temperature in operation:	–20°C – 40°C
Housing material:	Magnalium
Housing colour:	Black
Cooling:	Temperature-controlled fans

Minimum distance to the illuminated surface:	25 m
Minimum distance to normally flammable materials:	0.1 m
Risk group:	RG3
Danger distance:	∞, Never point the beam at persons

Lens diameter:	178 mm
Dimensions (W × H × D):	See graphic
Weight:	32 kg

Other features:	1 m power cable with Seetronic IP65 plug and 2 pcs Omega mounting brackets (CLOMEGABRACKET5) included
Accessories (optional):	EPP foam SIP insert

EXPLANATION OF IP PROTECTION CLASS

1. An IP protection class only reflects protection against solid objects and water. It does not describe general weather resistance, such as protection from UV radiation and temperature.
2. The first identification digit indicates protection against dust, solid objects, and contact:

IP2X	Protected against solid foreign objects ≥ 12.5 mm in diameter
IP3X	Protected against solid foreign objects ≥ 2.5 mm in diameter
IP4X	Protected against solid foreign objects ≥ 1.0 mm in diameter
IP5X	Protected against dust in harmful quantities and completely protected against contact
IP6X	Are dust-tight and completely protected against contact

3. The second digit indicates protection against water:

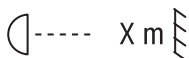
IPX0	No protection
IPX1	Protection against dripping water
IPX2	Protection against dripping water when the device is tilted by up to 15°
IPX3	Protection against falling spray water up to 60° from the vertical
IPX4	Protection against splashing water on all sides
IPX5	Protection against water jets (nozzle) from any angle
IPX6	Protection against strong water jets
IPX7	Protection against temporary immersion

4. In addition, some device-specific measures such as covers and sealing caps are necessary in order to achieve the specified protection class (for example, protective caps on unused connectors).



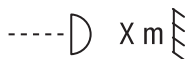
The product's IP protection class can be found in the technical data and is printed on the device.

MINIMUM DISTANCE TO ILLUMINATED SURFACE



This symbol with the distance stated in metres (m) indicates the minimum distance of the light fixture to the illuminated surface. The value valid for this device can be found in the technical data in this manual and is printed on the device!

MINIMUM DISTANCE TO NORMALLY FLAMMABLE MATERIALS



This symbol with the distance stated in metres (m) indicates the minimum distance of the device to normally flammable materials. The value valid for this device can be found in the technical data in this manual!

DISPOSAL



PACKAGING:

1. Packaging can be recycled using the usual disposal methods.
2. Please separate the packaging in accordance with the disposal laws and recycling regulations in your country.



DEVICE:

1. This device is subject to the European Directive on Waste Electrical and Electronic Equipment, as amended. WEEE Directive Waste Electrical and Electronic Equipment. Waste equipment does not belong in household waste. Waste equipment must be disposed of via an authorised waste disposal company or a municipal waste disposal facility. Please observe the applicable regulations in your country!
2. Observe all disposal laws applicable in your country.
3. As a private customer, you can obtain information on environmentally friendly disposal options from the seller of the product or the appropriate regional authorities.

MANUFACTURER'S DECLARATIONS

Manufacturer's warranty and limitation of liability

Adam Hall GmbH | Adam-Hall-Str.1 | 61267 Neu-Anspach | Germany

Email: Info@adamhall.com / +49 (0)6081 / 9419-0

Our current warranty conditions and limitation of liability can be found at:

https://cdn-shop.adamhall.com/media/pdf/Manufacturers-Declarations-CAMEO_DE_EN_ES_FR.pdf

For service requests, please contact your distribution partner.

CE conformity

Adam Hall GmbH hereby confirms that this product meets the following guidelines (where applicable):

Low-Voltage Directive (2014/35/EU)

EMC Directive (2014/30/EU)

RoHS (2011/65/EU)

RED (2014/53/EU)

EC Declaration of Conformity

Declarations of conformity for products subject to the LVD, EMC, and RoHS Directives can be requested from info@adamhall.com

Declarations of conformity for products subject to RED can be downloaded from www.adamhall.com/compliance/

Subject to misprints and errors, as well as technical or other modifications!

SIE HABEN DIE RICHTIGE WAHL GETROFFEN!

Dieses Gerät wurde unter hohen Qualitätsanforderungen entwickelt und gefertigt, um viele Jahre einen reibungslosen Betrieb zu gewährleisten. Bitte lesen Sie diese Bedienungsanleitung sorgfältig, damit Sie Ihr neues Produkt von Cameo Light schnell und optimal einsetzen können. Weitere Informationen über Cameo Light erhalten Sie auf unserer Website **CAMEOLIGHT.COM**

INFORMATIONEN ZU DIESER BEDIENUNGSANLEITUNG

- Lesen Sie vor Inbetriebnahme die Sicherheitshinweise und die gesamte Anleitung aufmerksam durch.
- Beachten Sie die Warnungen auf dem Gerät und in der Bedienungsanleitung.
- Bewahren Sie die Bedienungsanleitung immer in Reichweite auf.
- Wenn Sie das Gerät verkaufen oder weitergeben, händigen Sie unbedingt auch diese Bedienungsanleitung aus, da sie ein wesentlicher Bestandteil des Produkts ist.

BESTIMMUNGSGEMÄSSER GEBRAUCH

Bei dem Produkt handelt es sich um ein Gerät für die Veranstaltungstechnik!

Das Produkt ist für den professionellen Einsatz im Bereich der Veranstaltungstechnik entwickelt worden und ist nicht für die Verwendung in Haushalten und Wohngebieten geeignet!

Das Gerät darf nicht für die Beleuchtung von Personen eingesetzt werden!

Es liegt in der Verantwortung des Betreibers, dafür zu sorgen, dass keine Personen dem Lichtstrahl oder seinen Reflexionen ausgesetzt sind.

Temporärer Betrieb! Veranstaltungsequipment ist grundsätzlich nur für den vorübergehenden Betrieb konzipiert und nicht für den Dauerbetrieb und Festinstallation vorgesehen! Weiterhin ist dieses Produkt nur für qualifizierte Benutzer mit Fachkenntnissen im Umgang mit Veranstaltungstechnik vorgesehen!

Die Benutzung des Produkts außerhalb der spezifizierten technischen Daten und Betriebsbedingungen gilt als nicht bestimmungsgemäß!

Haftung für Schäden und Drittschäden an Personen und Sachen durch nicht bestimmungsgemäßen Gebrauch ist ausgeschlossen!

Das Produkt ist nicht geeignet für:

- Kinder (Kinder müssen angewiesen werden, nicht mit dem Gerät zu spielen).
- Personen mit eingeschränkten körperlichen, sensorischen oder geistigen Fähigkeiten oder mangelnder Erfahrung und Kenntnis.

BEGRIFFS- UND SYMBOLERKLÄRUNGEN

1. **GEFAHR:** Mit dem Wort GEFAHR, evtl. in Kombination mit einem Symbol, wird auf unmittelbar gefährliche Situationen oder Zustände für Leib und Leben hingewiesen.
2. **WARNUNG:** Mit dem Wort WARNUNG, evtl. in Kombination mit einem Symbol, wird auf potentiell gefährliche Situationen oder Zustände für Leib und Leben hingewiesen.
3. **VORSICHT:** Mit dem Wort VORSICHT, evtl. in Kombination mit einem Symbol, wird auf Situationen oder Zustände hingewiesen, die zu Verletzungen führen können.

4. **ACHTUNG:** Mit dem Wort ACHTUNG, evtl. in Kombination mit einem Symbol, wird auf Situationen oder Zustände hingewiesen, die zu Sach- und/oder Umweltschäden führen können.



Dieses Symbol kennzeichnet Gefahren, die einen elektrischen Schlag verursachen können.



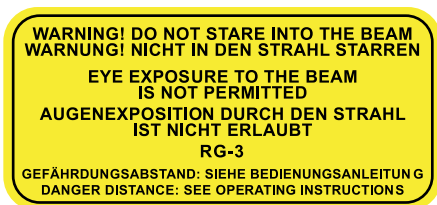
Dieses Symbol kennzeichnet Gefahrenstellen oder gefährliche Situationen.



Dieses Symbol kennzeichnet Gefahren durch heiße Oberflächen.



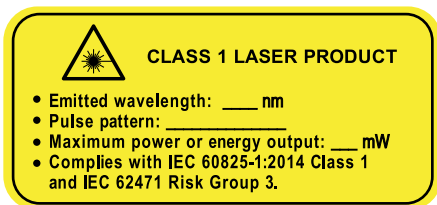
Dieses Symbol weist darauf hin, dass es vermieden werden muss, in die Lichtquelle zu schauen oder zu starren.



Dieses Symbol weist auf die Gefahr von Augen- und Hautschäden durch intensive Lichtquellen der Risikogruppe 3 hin.



Dieses Symbol zeigt die Richtung an, in der potenziell gefährliches Licht aus dem Lichtauslass austritt.



Dieses Symbol zeigt an, dass das Produkt ein IEC 62471 und IEC 60825-01:2014-konformes Gerät der Risikogruppe 3 ist.



Dieses Symbol weist auf Quetschgefahr hin.



Dieses Symbol weist auf intensive Lichtquellen hin.



Dieses Symbol zeigt an, dass das Produkt keine zu wartenden Teile hat. Nur autorisiertes Personal darf Wartungs- oder Servicearbeiten durchführen.



Dieses Symbol kennzeichnet ergänzende Informationen zur Bedienung des Produkts.



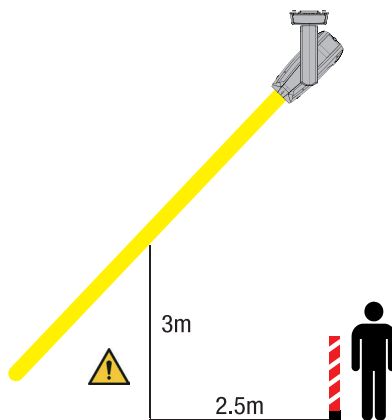
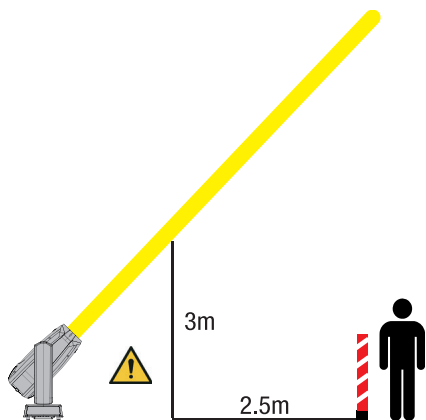
GEFAHRENZONE

Bei Geräten der Risikogruppe 3 bezieht sich die Gefahrenzone auf den Bereich, in dem die optische Strahlung eine erhebliche Gefahr für die Gesundheit darstellt. Dieser Bereich ist in der folgenden Abbildung mit einem Warnsymbol gekennzeichnet.

Optische Strahlung

Risiko von schweren Augenschäden oder Erblindung

1. Stellen Sie sicher, dass der Abstand zur Gefahrenzone mindestens 2,5 Meter horizontal und 3 Meter vertikal beträgt.
2. Stellen Sie sicher, dass keine Person die Gefahrenzone betreten kann. Der Gefahrenbereich ist durch Absperrungen zu begrenzen.



SICHERHEITSHINWEISE



WARNUNG! Optische Strahlung

Risiko der schweren Augenschädigung oder Erblindung.

1. Das Gerät ist ausschließlich für Lichteffekte in der Luft bestimmt.
2. Verwenden Sie das Gerät nicht, um Personen zu beleuchten. Nicht zur Verwendung in Wohngebieten geeignet.
3. Es liegt in der Verantwortung des Betreibers, dafür zu sorgen, dass keine Personen dem Lichtstrahl oder seinen Reflexionen ausgesetzt sind.

**GEFAHR:**

1. Öffnen Sie das Gerät nicht und verändern Sie es nicht.
2. Wenn Ihr Gerät nicht mehr ordnungsgemäß funktioniert, Flüssigkeiten oder Gegenstände in das Geräteinnere gelangt sind, oder das Gerät anderweitig beschädigt wurde, schalten Sie es sofort aus und trennen es von der Spannungsversorgung. Dieses Gerät darf nur von autorisiertem Fachpersonal repariert werden.
3. Bei Geräten der Schutzklasse 1 muss der Schutzleiter korrekt angeschlossen werden. Unterbrechen Sie niemals den Schutzleiter. Geräte der Schutzklasse 2 haben keinen Schutzleiter.
4. Sorgen Sie dafür, dass spannungsführende Kabel nicht geknickt oder anderweitig mechanisch beschädigt werden.
5. Überbrücken Sie niemals die Gerätesicherung.

**WARNING:**

1. Das Gerät darf nicht in Betrieb genommen werden, wenn es offensichtliche Beschädigungen aufweist.
2. Das Gerät darf nur im spannungsfreien Zustand installiert werden.
3. Wenn das Netzkabel des Geräts beschädigt ist, darf das Gerät nicht in Betrieb genommen werden.
4. Fest angeschlossene Netzleitungen dürfen nur von einer qualifizierten Person ersetzt werden.

**ACHTUNG:**

1. Nehmen Sie das Gerät nicht in Betrieb, wenn es starken Temperaturschwankungen ausgesetzt war (beispielsweise nach dem Transport). Feuchtigkeit und Kondensat könnten das Gerät beschädigen. Schalten Sie das Gerät erst ein, wenn es Umgebungstemperatur erreicht hat.
2. Stellen Sie sicher, dass die Spannung und die Frequenz des Stromnetzes mit den auf dem Gerät angegebenen Werten übereinstimmen. Verfügt das Gerät über einen Spannungswahlschalter, schließen Sie das Gerät erst an, wenn dieser korrekt eingestellt ist. Nutzen sie nur geeignete Netzkabel.
3. Um das Gerät allpolig vom Netz zu trennen genügt es nicht, den Ein-/Aus-Schalter am Gerät zu betätigen.
4. Stellen Sie sicher, dass die eingesetzte Sicherung dem auf dem Gerät abgedruckten Typ entspricht.
5. Stellen Sie sicher, dass geeignete Maßnahmen gegen Überspannung (z.B. Blitzschlag) ergriffen wurden.
6. Beachten Sie den angegebenen maximalen Ausgangsstrom an Geräten mit Power Out Anschluss. Beachten Sie, dass die gesamte Stromaufnahme aller angeschlossenen Geräte den vorgegebenen Wert nicht überschreitet.
7. Ersetzen Sie steckbare Netzleitungen nur durch Originalleitungen.

**GEFAHR:**

1. Erstickungsgefahr! Kunststoffbeutel und Kleinteile müssen außer Reichweite von Personen (einschließlich Kindern) mit eingeschränkten körperlichen, sensorischen oder geistigen Fähigkeiten aufbewahrt werden.
2. Gefahr durch Herabfallen! Stellen Sie sicher, dass das Gerät sicher installiert ist und nicht herunterfallen kann. Verwenden Sie ausschließlich geeignete Stative bzw. Befestigungen (im Besonderen bei Festinstallationen). Stellen Sie sicher, dass Zubehör ordnungsgemäß installiert und gesichert ist. Achten Sie dabei darauf, dass geltende Sicherheitsbestimmungen eingehalten werden.

**WARNUNG:**

1. Verwenden Sie das Gerät nur in der vorgesehenen Art und Weise.
2. Betreiben Sie das Gerät nur mit dem vom Hersteller empfohlenen und vorgesehenen Zubehör.
3. Beachten Sie bei der Installation die für Ihr Land geltenden Sicherheitsvorschriften.
4. Überprüfen Sie nach dem Anschluss des Geräts alle Kabelwege, um Schäden oder Unfälle, z. B. durch Stolperfallen zu vermeiden.
5. Beachten Sie unbedingt den angegebenen Mindestabstand zu normal entflammablen Materialien! Sofern dieser nicht explizit ausgewiesen ist, beträgt der Mindestabstand 0,3 m.
6. Beachten Sie unbedingt den auf dem Gerät abzulesenden Mindestabstand zur beleuchteten Fläche!

**VORSICHT:**

1. Bei beweglichen Bauteilen wie Montagebügeln, oder sonstigen beweglichen Bauteilen besteht die Möglichkeit sich zu klemmen.
2. Bei Geräten mit motorisch angetriebenen Bauteilen besteht Verletzungsgefahr durch die Bewegung des Gerätes. Plötzliche Gerätebewegungen können zu Schreckreaktionen führen.
3. Die Gehäuseoberfläche des Geräts kann sich im regulären Betrieb stark erwärmen. Stellen Sie sicher, dass ein versehentliches Berühren des Gehäuses ausgeschlossen ist. Lassen Sie das Gerät vor dem Abbau, vor Wartungsarbeiten und vor dem Aufladen etc. immer ausreichend abkühlen.

**ACHTUNG:**

1. Installieren und betreiben Sie das Gerät nicht in der Nähe von Heizkörpern, Wärmespeichern, Öfen oder sonstigen Wärmequellen. Sorgen Sie dafür, dass das Gerät immer so installiert ist, dass es ausreichend gekühlt wird und nicht überhitzen kann.
2. Platzieren Sie keine Zündquellen wie z.B. brennende Kerzen in der Nähe des Geräts.
3. Lüftungsöffnungen dürfen nicht abgedeckt und Lüfter nicht blockiert werden.
4. Nutzen Sie zum Transport die Originalverpackung oder vom Hersteller dafür vorgesehene Verpackungen.





5. Vermeiden Sie, dass Erschütterung oder Schläge auf das Gerät einwirken.
6. Beachten sie die IP-Schutzart, sowie die Umgebungsbedingungen wie Temperatur und Luftfeuchtigkeit entsprechend der Spezifizierung.
7. Geräte können stetig weiterentwickelt werden. Bei abweichenden Angaben zu Betriebsbedingungen, Leistung oder sonstigen Geräteeigenschaften zwischen Bedienungsanleitung und Gerätebeschriftung, hat immer die Angabe auf dem Gerät Priorität.
8. Das Gerät ist nicht für tropische Klimazonen und für den Betrieb oberhalb 2000 m über NN geeignet.
9. Sofern nicht explizit ausgewiesen, ist das Gerät nicht für den Betrieb unter Marinebedingungen geeignet.

VORSICHT! WICHTIGE HINWEISE IN BEZUG AUF LICHT-PRODUKTE!



1. Dieses Gerät ist ein Gerät der Risikogruppe 3. Gefahr der schweren Haut- und Augenschädigung! Schauen Sie niemals, auch nicht kurzzeitig, in die Lichtquelle oder den Lichtstrahl! Schauen Sie nicht mit optischen Instrumenten, wie Lupen oder Ferngläser, direkt in die Lampe! Setzen Sie die Haut nicht dem Lichtstrahl oder seinen Reflexionen aus!



2. Fokussieren Sie den Lichtstrahl nicht auf brennbare Oberflächen!



3. Stroboskopeffekte können bei empfindlichen Menschen epileptische Anfälle auslösen!



4. In diesen Leuchten sind fest installierte Leuchtmittel verbaut, welche nicht durch den Benutzer zu tauschen sind. Die in dieser Leuchte enthaltene Lichtquelle darf nur vom Hersteller oder seinem Servicepartner oder einer ähnlich qualifizierten Person ausgetauscht werden.



PERSÖNLICHE SCHUTZAUSRÜSTUNG

Tragen Sie während des Aufbaus, der Einrichtung und des Abbaus des Geräts geeignete Schutzausrüstung:

- Schutzhandschuhe
- Sicherheitsschuhe
- Schutzbrille LB4 nach EN 207 (stets während der Einrichtung zu tragen)



SIGNALÜBERTRAGUNG PER FUNK (Z.B. W-DMX® ODER AUDIO-FUNKSYSTEME):

Die Qualität und Leistungsfähigkeit kabelloser Signalübertragungen ist generell abhängig von den Umgebungsbedingungen.

Einfluss auf die Reichweite und Signalstabilität haben z.B.:

Abschirmung (z.B. Mauerwerk, Metallbauten, Wasser)

Hohes Funkaufkommen (z.B. starke W-LAN Netze)

Interferenzen

Elektromagnetische Strahlung (z.B. LED-Videowände, Dimmer)

Alle Reichweitenangaben beziehen sich auf Freifeldanwendung mit Sichtkontakt ohne Störeinflüsse!



Der Betrieb von Sendeanlagen unterliegt behördlichen Bestimmungen. Diese können regional unterschiedlich ausfallen und müssen vor Inbetriebnahme vom Betreiber überprüft werden (z.B. Funkfrequenz und Sendeleistung).



WARNUNG: Geräte mit kabelloser Signalübertragung sind nicht für den Betrieb in sensiblen Bereichen, in denen Funkbetrieb zu möglichen Wechselwirkungen führen kann, geeignet. Dazu zählen z.B.:

- Krankenhäuser, Gesundheitszentren oder andere Einrichtungen des Gesundheitswesens, die Patientenbehandlungen mit Fachpersonal und -ausrüstung durchführen.
- Ex-Bereiche der Klassen I, II und III
- Sperrbereiche
- Militärische Einrichtungen
- Flugzeuge oder Fahrzeuge
- Bereiche, in denen die Nutzung von Mobiltelefonen untersagt ist



SIGNALÜBERTRAGUNG PER W-DMX®

WARNUNG: Generell darf kabellose DMX-Übertragung nicht für Anwendungen mit sicherheitsrelevanten Faktoren genutzt werden, die im Falle eines Versagens Personen- oder Sachschäden zur Folge haben können.

Dies gilt im Speziellen für bewegte Szenen- oder Traversenstrukturen, für DMX-gesteuerte Motoren/Hebezeuge oder Hebevorrichtungen zum Betreiben von DMX-betriebenen Bühnenliften, Hydrauliksystemen oder vergleichbaren beweglichen Komponenten.

Weiterhin darf kabellose DMX-Übertragung nicht zum Auslösen von Flammen- oder pyrotechnischen Geräten, explosionsgetriebenen Effekten, sowie zur Steuerung von Gas oder Flüssigkeitseffekten benutzt werden. Dazu zählen z.B. Co2-Kanonen, Konfetti-Shooter, Wasser-Effekte oder Ähnliches.

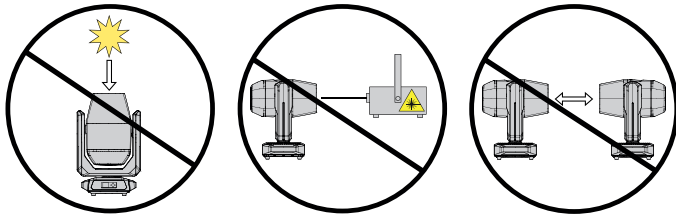


ACHTUNG! POTENTIELLE BESCHÄDIGUNG DURCH EXTERNE LICHTQUELLEN!

Sonneneinstrahlung, Laserstrahlung und gebündelte Lichtstrahlen anderer Scheinwerfer können das Gehäuse und interne Komponenten, wie Filter, Gobo- und Farbräder, Motoren, Kabel, Riemen etc., sowie Leuchtmittel beschädigen!

Setzen Sie das Gerät und vor allem die Linsenöffnung während des Auspackens, der Installation, längerem Nichtgebrauch und im Betrieb nicht direkter Sonneneinstrahlung, Laserstrahlung und gebündelten Lichtstrahlen anderer Scheinwerfer aus! Richten Sie die Linsenöffnung stets Richtung Boden, wenn das Gerät nicht in Gebrauch ist! Nutzen Sie dafür auch die Sun Protection-Funktion, die über DMX-Befehl aktiviert werden kann (siehe Device Settings-Kanal in der DMX-Tabelle). Ein integrierter Gyroskop-Sensor erkennt dabei die Gebrauchslage.

Schäden, die durch externe Lichtquellen entstehen, sind von der Herstellergarantie ausgeschlossen!


i
BLACKOUT ZONEN

Per DMX können Zonen (Zuschauer-, Bühnenbereich etc.) eingerichtet werden, in denen Blackout automatisch aktiviert wird, sobald der Lichtstrahl eine Zone per Pan- und Tilt-Bewegung erreicht. Dabei kann jeweils nur eine der drei verfügbaren Blackout Zonen aktiviert werden.

Blackout Zonen einrichten:

1. Device Settings: Wert 004 - 005 **Enable Savings BO Zone**
2. Viereck (Blackout Zone) definieren mit **Save Position 1** bis **Save Position 4** (die zu den jeweiligen Positionen eingestellten Pan- und Tilt-Werte)
3. Definiertes Viereck in einer Zone speichern mit **Save Positions to Zone A** bis **Save Positions to Zone C**
4. Blackout Zone aktivieren mit **Blackout Zone A active** oder **Blackout Zone B active** oder **Blackout Zone C active**

Das erfolgreiche Speichern einer Position oder Zone wird durch einen kurzen Stroboskopeffekt des Geräts bestätigt.

Nach der Einrichtung einer Blackout Zone darf die Position des Geräts nicht mehr verändert werden!

Blackout Zone	000 - 005	Blackout Zone deactivated
	006 - 046	Save Position 1
	047 - 087	Save Position 2
	088 - 108	Save Position 3
	109 - 129	Save Position 4
	130 - 150	Save Positions to Zone A
	151 - 171	Save Positions to Zone B
	172 - 192	Save Positions to Zone C
	193 - 213	Blackout Zone A active
	214 - 234	Blackout Zone B active
235 - 255	Blackout Zone C active	
Device settings (hold value for 3 seconds)	000 - 003	No function
	004 - 005	Enable Savings BO Zone



HINWEISE FÜR ORTSVERÄNDERLICHE OUTDOOR-GERÄTE

1. Temporärer Betrieb! Veranstaltungsequipment ist grundsätzlich nur für den vorübergehenden Betrieb konzipiert.
2. Dauerbetrieb oder dauerhafte bauliche Anbringung, besonders im Außenbereich, kann zur Beeinträchtigung der Funktion, sowie der Oberflächen und Dichtungen und zu beschleunigter Materialermüdung führen.
3. Durch Beschädigungen der Oberflächenbeschichtung kann der Korrosionsschutz des Geräts beeinträchtigt werden. Eine beschädigte Oberflächenbeschichtung (z.B. Kratzer) muss zeitnah durch geeignete Maßnahmen wiederhergestellt werden.

LIEFERUMFANG

Entnehmen Sie das Produkt aus der Verpackung und entfernen Sie sämtliches Verpackungsmaterial. Bitte überprüfen Sie die Vollständigkeit und Unversehrtheit der Lieferung und benachrichtigen Sie Ihren Vertriebspartner bitte unverzüglich nach dem Kauf, falls die Lieferung nicht komplett oder beschädigt ist.

Im Lieferumfang des Produkts sind enthalten:

- ▶ 1 × ORON H2 Moving Head
- ▶ 1 × Netzkabel
- ▶ 2 × Omega-Bügel
- ▶ Safety- und Complianceinformationen (Bedienungsanleitung als Download per QR-Code)

STEUERUNGSFUNKTIONEN:

24-, 27- und 33-Kanal DMX-Steuerung

Master / Slave Betrieb

Standalone Funktion

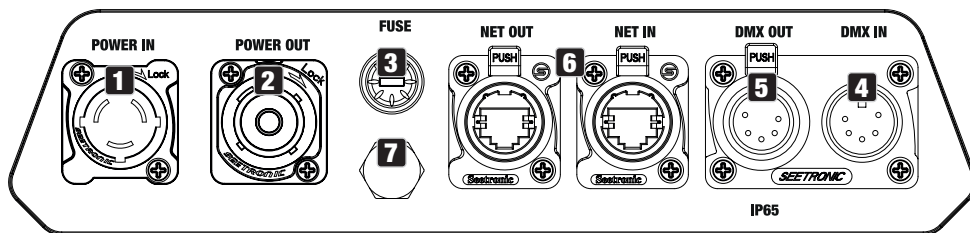
W-DMX®

EIGENSCHAFTEN:

Schutzart IP65. Laser Phosphor Engine 260 W. DMX512. Wireless DMX. Artnet und sACN. 5-Pol DMX-Anschlüsse. 2x Omega-Montagebügel inklusive. Betriebsspannung 100 V - 240 V AC.

Der Scheinwerfer verfügt über den RDM-Standard (Remote Device Management). Diese Gerätefernverwaltung ermöglicht die Statusabfrage und Konfiguration von RDM-Endgeräten über einen RDM-fähigen Controller, wie den optional erhältlichen Cameo UNICON (Artikelnummer CLIREMOTE).

ANSCHLÜSSE, BEDIEN- UND ANZEIGEELEMENTE



1 POWER IN

IP65 Netzeingangsbuchse mit Gummidichtkappe. Betriebsspannung 100 - 240V AC / 50 - 60Hz. Anschluss mit Hilfe des mitgelieferten Netzkabels (bei Nichtgebrauch stets mit der Gummidichtkappe verschließen).

2 POWER OUT

IP65 Netzausgangsbuchse mit Gummidichtkappe. Dient der Netzversorgung weiterer CAMEO Scheinwerfer. Achten Sie darauf, dass die gesamte Stromaufnahme aller angeschlossenen Geräte den auf dem Gerät in Ampere (A) angegebenen Wert nicht überschreitet (bei Nichtgebrauch stets mit der Gummidichtkappe verschließen).

3 FUSE

IP65 Sicherungshalter für 5 x 20mm Sicherungen. **WICHTIGER HINWEIS:** Ersetzen Sie die Sicherung ausschließlich durch eine Sicherung des gleichen Typs und mit gleichen Werten. Verschließen Sie den Sicherungshalter wieder sorgfältig, damit die Dichtheit nach IP65 weiterhin gewährleistet ist. Sollte die Sicherung wiederholt auslösen, wenden Sie sich bitte an ein autorisiertes Servicezentrum.

4 DMX IN

Männliche IP65 5-Pol XLR-Buchse zum Anschließen eines DMX-Kontrollgeräts (z.B. DMX-Pult, bei Nichtgebrauch stets mit der Gummidichtkappe verschließen).

5 DMX OUT

Weibliche IP65 5-Pol XLR-Buchse zum Weiterleiten des DMX-Steuersignals (bei Nichtgebrauch stets mit der Gummidichtkappe verschließen).

6 NET IN / OUT

RJ45 Netzwerk-Anschlüsse zum Verbinden mit einem ArtNet bzw. sACN Netzwerk und zum Weiterleiten des Steuersignals (bei Nichtgebrauch stets mit der Gummidichtkappe verschließen). Verwenden Sie für die Einrichtung des Netzwerks IP65 Kabel der Kategorie CAT-5e oder besser.

7 DRUCKAUSGLEICHSELEMENT

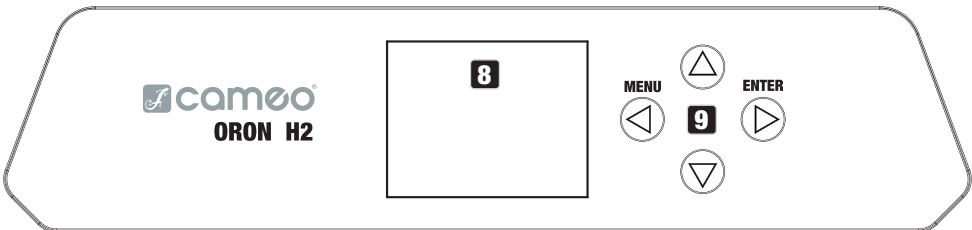
Druckausgleichselement zur Vermeidung von Kondenswasserbildung im Gehäuseinneren. Um die einwandfreie Funktion zu gewährleisten, ist das Element vor Verschmutzung zu schützen.

ANTENNE

Die Antenne für die Steuerung per Wireless DMX befindet sich im Inneren der Gerätebasis.



ACHTUNG: Um den Spritzwasserschutz nach Schutzklasse IP65 bei den DMX-Buchsen zu gewährleisten, müssen die speziellen DMX Eingangs- und Ausgangsbuchsen korrekt mit den IP65 Spezial-XLR-Steckern verschlossen sein, bzw. die Gummidichtkappen zum Verschließen verwendet werden. Die Netzbuchsen POWER IN und POWER OUT sind in korrekt gestecktem Zustand spritzwassergeschützt nach IP65, ebenso bei korrekter Verwendung der Gummidichtkappen.



8 LC-DISPLAY

Das beleuchtete Display zeigt die aktuell aktivierte Betriebsart an (Hauptanzeige), die Menüpunkte im Haupt- und den Untermenüs und den Zahlenwert bzw. Status in bestimmten Menüpunkten. Liegt kein Steuersignal am Gerät an, fangen die Zeichen in der Mitte des Displays an zu blinken, das Blinken stoppt, sobald ein Steuersignal anliegt (W-DMX®, DMX- und Slave-Betrieb).

9 BERÜHRUNGSEMPFINDLICHE BEDIENFELDER

MENU - Durch Drücken auf MENU gelangen Sie in das Hauptmenü. Durch nochmaliges bzw. wiederholtes Drücken gelangen Sie zurück zur Hauptanzeige.

▲ und ▼ - Wählen Sie die Menüpunkte im Hauptmenü (DMX-Adresse, Betriebsart usw.) und in den Untermenüs mit Hilfe von ▲ und ▼ aus. Ändern Sie Wert bzw. Status in einem Menüpunkt, z.B. DMX-Adresse.

ENTER - Durch Drücken auf ENTER gelangen Sie auf die Menüebene um Wert- bzw. Statusänderungen vornehmen zu können und um eines der Untermenüs zu erreichen. Bestätigen Sie Wert- bzw. Statusänderungen durch Drücken auf ENTER.

HINWEISE:

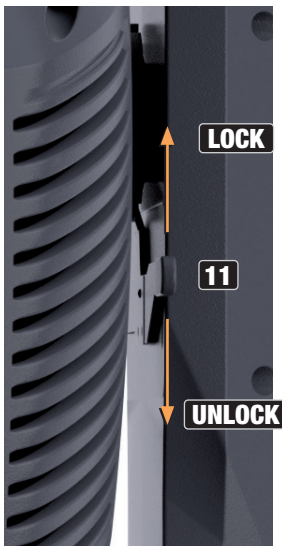
- Vergewissern Sie sich vor dem Navigieren im Gerätemenü, dass die Bedieneinheit trocken und sauber ist, damit ihre Funktionalität nicht beeinträchtigt wird.
- Wasser auf der Bedieneinheit kann z.B. im Outdoor-Betrieb zu Fehlbedienung des Scheinwerfers führen. Aktivieren Sie daher nach der Konfiguration des Scheinwerfers die Lock-Funktion, um eine Fehlbedienung durch Wasser zu verhindern (Settings -> Display -> Autolock). Lock-Funktion deaktivieren: ▲ und ▼ gleichzeitig für ca. 5 Sekunden drücken.



Das batteriegespeiste Display lässt sich aktivieren, selbst wenn das Gerät nicht am Stromnetz angeschlossen ist. Drücken und halten Sie hierfür MENU für die Dauer von circa 10 Sekunden. Sie können nun netzunabhängig Geräteinformationen auslesen und Systemeinstellungen ändern und abspeichern. Die externe Steuerung des Scheinwerfers wird in diesem Fall nicht aktiviert. Aus diesem Grund wird, auch wenn ein Steuersignal am Gerät anliegt, im Display angezeigt, dass kein Steuersignal anliegt.

**10 PAN LOCK**

Mechanische Verriegelungsvorrichtung um beim Transport das Verdrehen des Kopfes auf horizontaler Ebene zu verhindern (8 mögliche Positionen). Trennen Sie das Gerät vom Netz und schieben den Arretierhebel zum Verriegeln in Richtung Pan-Drehachse, bewegen Sie dabei den Kopf des Geräts auf horizontaler Ebene, bis eine der 8 Rastpositionen gefunden ist und der Arretierhebel einrastet (LOCK). Entriegeln Sie die Vorrichtung vor Inbetriebnahme des Geräts (UNLOCK).

**11 TILT LOCK**

Mechanische Verriegelungsvorrichtung um beim Transport das Verdrehen des Kopfes auf vertikaler Ebene zu verhindern (7 mögliche Positionen). Trennen Sie das Gerät vom Netz und schieben den Arretierhebel zum Verriegeln in Richtung Tilt-Drehachse, bewegen Sie dabei den Kopf des Geräts auf vertikaler Ebene, bis eine der 7 Rastpositionen gefunden ist und der Arretierhebel einrastet (LOCK). Entriegeln Sie die Vorrichtung vor Inbetriebnahme des Geräts (UNLOCK).

12 GRIFFMULDEN

Zusätzlich zu den beiden Transportgriffen an der Gerätebasis befinden sich Griffmulden oben an den Innenseiten der beiden Gerätearme.



BEDIENUNG

Hinweise

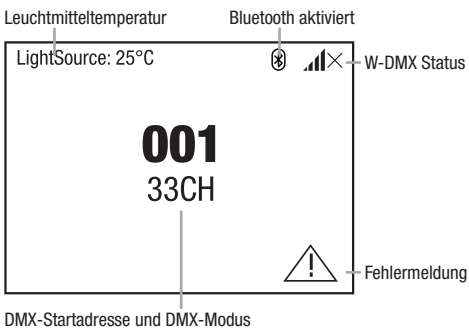
Sobald der Scheinwerfer korrekt am Stromnetz angeschlossen ist, wird während des Startvorgangs und des Motoren-Resets „Software Update ...please wait“, die Software-Version, „Welcome to Cameo“ und „...RESET“ im Display angezeigt. Nach diesem Vorgang ist der Scheinwerfer betriebsbereit und die Betriebsart, die zuvor aktiviert war, wird gestartet.

Die Hauptanzeige wird automatisch aktiviert, wenn innerhalb von circa 30 Sekunden keine Eingabe erfolgt.

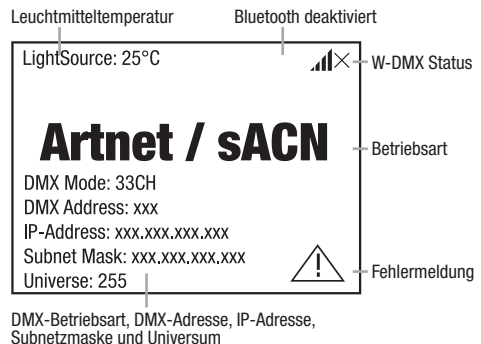
DISPLAY HAUPTANZEIGE

Die Display Hauptanzeige zeigt in den verschiedenen Betriebsarten unterschiedliche, betriebsart-relevante Informationen an.

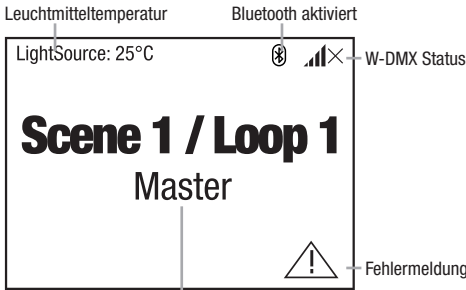
Betriebsarten DMX und W-DMX®



Betriebsarten Artnet und sACN

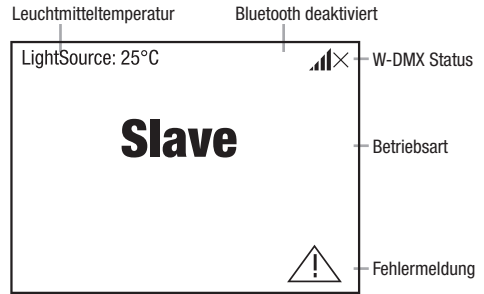


Stand-Alone-Betriebsarten



Szene bzw. Loop und Signalausgabe

Betriebsart Slave



Hinweis zur Hauptanzeige in den Betriebsarten mit externer Steuerung: Sobald das Steuer-Signal unterbrochen wird, beginnen die Zeichen in der Mitte des Displays zu blinken, liegt das Steuer-Signal wieder an, stoppt das Blinken.

Fehlermeldung: Erscheint das Warnsymbol (Dreieck mit Ausrufezeichen) im Display, liegt bei einer oder mehreren Komponenten des Geräts ein Fehler vor. Welche Komponenten dabei betroffen sind, kann im **System Info-Menü** unter **Error-Info** eingesehen werden. Falls sich der Fehler nicht durch einen Neustart bzw. Reset beheben lässt, wenden Sie sich bitte an ein autorisiertes Service-Center.

WIRELESS DMX

Zum Koppeln eines Wireless DMX Receivers (Empfänger) mit einem Wireless DMX kompatiblen Transmitter (Sender) muss im Menüpunkt Wireless der Befehl Unlink ausgeführt werden (Unlink auswählen und bestätigen). Der Receiver befindet sich nun in Koppelbereitschaft und wartet auf die Kopplungsanfrage eines Transmitters. Starten Sie die Kopplung, indem Sie im Menü des Transmitters Link auswählen und bestätigen, die Kopplung erfolgt nun automatisch. Es können auf die gleiche Weise auch mehrere Receiver gleichzeitig oder nacheinander mit einem Transmitter gekoppelt werden (z.B. für den Master/Slave-Betrieb). Eine Wireless DMX-Verbindung bleibt grundsätzlich so lange erhalten, bis die Verbindung durch den Reset-Befehl im Receiver oder den Unlink-Befehl im Transmitter getrennt wird, unabhängig davon, ob ein Gerät zwischenzeitlich von der Spannungsversorgung getrennt wird.

WIRELESS DMX STATUS

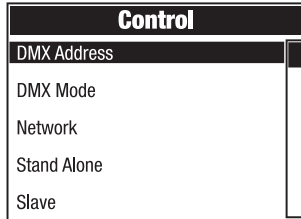
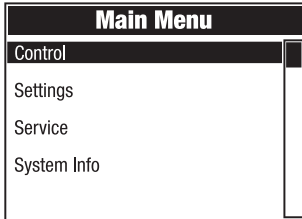
W-DMX® deaktiviert	W-DMX® als Receiver aktiviert, nicht gekoppelt	W-DMX® als Receiver aktiviert und gekoppelt, Transmitter abgeschaltet oder außer Reichweite	W-DMX® als Receiver aktiviert und gekoppelt, kein DMX- Signal	W-DMX® als Receiver aktiviert und gekoppelt, DMX-Signal liegt an	W-DMX® als Transmitter aktiviert

KONTROLLMENÜ (Control)

Das Kontrollmenü ermöglicht die Auswahl der verschiedenen Betriebsarten und deren Einstelloptionen in den entsprechenden Untermenüs.

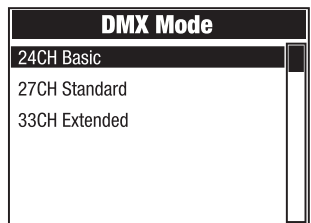
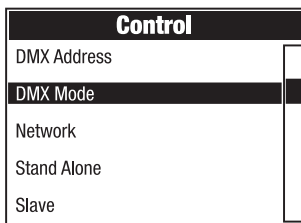
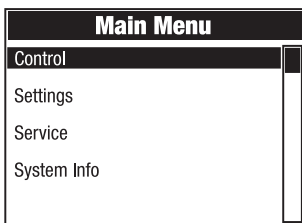
DMX-STARTADRESSE EINSTELLEN (DMX Address)

Ausgehend von der Hauptanzeige gelangen Sie durch Drücken auf MENU in das Hauptmenü (Main Menu). Wählen Sie mit Hilfe von ▲ und ▼ das Kontrollmenü **Control** aus und drücken auf ENTER. Wählen Sie nun den Menüpunkt **DMX Address** aus und bestätigen abermals. Stellen Sie den gewünschten Wert mit ▲ und ▼ ein und bestätigen mit ENTER.



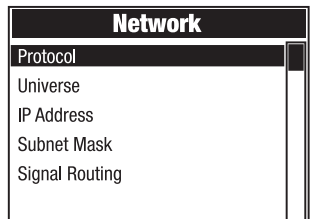
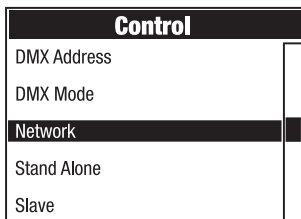
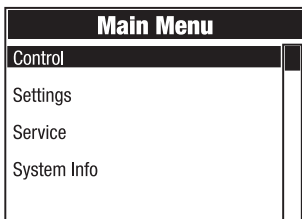
DMX-BETRIEBSART EINSTELLEN (DMX Mode)

Ausgehend von der Hauptanzeige gelangen Sie durch Drücken auf MENU in das Hauptmenü (Main Menu). Wählen Sie mit Hilfe von ▲ und ▼ das Kontrollmenü **Control** aus und drücken auf ENTER. Wählen Sie nun den Menüpunkt **DMX Mode** aus und bestätigen abermals. Wählen Sie die gewünschte DMX-Betriebsart mit ▲ und ▼ aus und bestätigen mit ENTER. DMX-Tabellen mit den Kanalbelegungen finden Sie in dieser Anleitung unter DMX STEUERUNG.



NETZWERK (Network)

Ausgehend von der Hauptanzeige gelangen Sie durch Drücken auf MENU in das Hauptmenü (Main Menu). Wählen Sie mit Hilfe von ▲ und ▼ das Kontrollmenü **Control** aus und drücken auf ENTER. Wählen Sie nun den Menüpunkt **Network** aus und bestätigen abermals.



Informationen zu den Untermenüpunkten im Netzwerkmenü und den entsprechenden Einstelloptionen finden Sie in untenstehender Tabelle (Auswahl mit ▲ und ▼, bestätigen mit ENTER, Wert bzw. Status ändern mit ▲ und ▼, bestätigen mit ENTER).

Network Artnet			
Protocol	Artnet	Steuerung per Artnet	
	sACN	Steuerung per sACN	
Universe	Absolute Univ.	Einstellen des absoluten Artnet Universums	Abhängig von Net, Subnet und Universe
	Net	Einstellen des Artnet Netzes	
	Subnet	Einstellen des Artnet Subnetzes	Abhängig von Absolute Univ.
	Universe	Einstellen des Artnet Universums	
IP Address	xxx.xxx.xxx.xxx	Einstellen der IP-Adresse: 1. Block einstellen, bestätigen, 2. Block einstellen, bestätigen...	
Subnet Mask	xxx.xxx.xxx.xxx	Einstellen der Subnetzmaske: 1. Block einstellen, bestätigen, 2. Block einstellen, bestätigen...	
Signal Routing	Send to XLR	Weiterleiten des Steuersignals an XLR Out	
	Backup by XLR	Ansteuerung per XLR bei Netzwerk Signalunterbrechung	
	Receive only	Keine Verbindung zwischen Netzwerksignal und XLR-Anschlüssen	

Network sACN		
Protocol	Artnet	Steuerung per Artnet
	sACN	Steuerung per sACN
Universe	Einstellen des sACN Universums	
IP Address	xxx.xxx.xxx.xxx	Einstellen der IP-Adresse: 1. Block einstellen, bestätigen, 2. Block einstellen, bestätigen...
Subnet Mask	xxx.xxx.xxx.xxx	Einstellen der Subnetzmaske: 1. Block einstellen, bestätigen, 2. Block einstellen, bestätigen...
Signal Routing	Send to XLR	Weiterleiten des Steuersignals an XLR Out
	Backup by XLR	Ansteuerung per XLR bei Netzwerk Signalunterbrechung
	Receive only	Keine Verbindung zwischen Netzwerksignal und XLR-Anschlüssen

STAND-ALONE-MENÜ (Stand Alone)

In den Stand-Along-Betriebsarten Play Scene und Play Loop kann das Steuersignal der entsprechenden Betriebsart via XLR an Slave-Einheiten ausgegeben werden (Master/Alone -> Master). Ist die Ausgabe des Steuersignals nicht gewünscht, deaktivieren Sie die Ausgabe (Master/Alone -> Alone).

Aktivieren Sie eine der acht verfügbaren Szenen (Scene 1 - 8) oder einen der acht verfügbaren Loops (Loop 1 - 8). Die Szenen und Loops sind vorprogrammiert, können aber individuell gestaltet werden (Edit Scene/Edit Loop).

Ausgehend von der Hauptanzeige gelangen Sie durch Drücken auf MENU in das Hauptmenü. Mit Hilfe der von ▲ bzw. ▼ wählen Sie den Menüpunkt **Control** aus und bestätigen mit ENTER. Wählen Sie nun den Menüpunkt **Stand Alone** aus und bestätigen abermals.

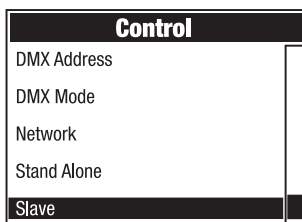
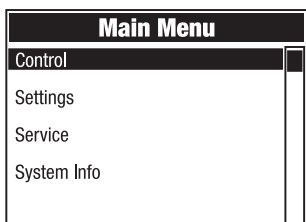
Main Menu	Control	Stand Alone
Control	DMX Address	Master/Alone
Settings	DMX Mode	Play Scene/Loop
Service	Network	Edit Scene
System Info	Stand Alone	Edit Loop
	Slave	Enable Full Power

Informationen zu den Untermenüpunkten im Stand-Along-Menü und den entsprechenden Einstelloptionen finden Sie in untenstehender Tabelle (Auswahl mit ▲ und ▼, bestätigen mit ENTER, Wert bzw. Status ändern mit ▲ und ▼, bestätigen mit ENTER).

Stand Alone				
Master/Alone	Master	Steuersignal wird via DMX OUT weitergeleitet		
	Alone	Steuersignal wird nicht weitergeleitet		
Play Scene/ Loop	Scene	Scene 1 - 8	Auswahl und Aktivierung der gewünschten Szene	
	Loop	Loop 1 - 8	Auswahl und Aktivierung des gewünschten Loops	
Edit Scene	Scene 1 - 8	Pan	Stellen Sie jede Szene individuell ein. Szenen werden durch Auswahl aktiviert.	
		Tilt		
		Dimmer		
		...		
Edit Loop	Loop 1 - 8	Step	1 - 8	Auswahl des Schritts 1 - 8
		t-Step	0S - 20min	Einstellen der Schrittdauer
		t-Fade	0S - 20min	Einstellen der Überblendzeit
		User Scene	1 - 8	Auswahl der Szene 1 - 8
		Skip Step	No / Yes	Schritt überspringen Nein / Ja
Enable Full Power	Safety Check OK	Vorm Aktivieren von Full Power sicherstellen, dass sich keine Personen im Lichtstrahl befinden (Sicherheitscheck)! Beim Aktivieren einer anderen Betriebsart wird Full Power automatisch deaktiviert.		
	Back	Ohne Sicherheitscheck Full Power NICHT aktivieren! Back drücken!		

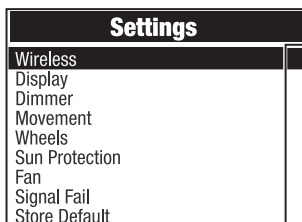
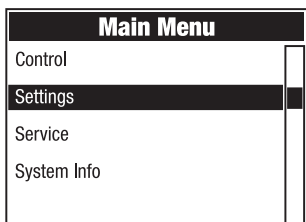
SLAVE-BETRIEB (Slave)

Ausgehend von der Hauptanzeige gelangen Sie durch Drücken auf MENU in das Hauptmenü. Mit Hilfe von ▲ und ▼ wählen Sie nun den Menüpunkt **Control** aus und bestätigen mit ENTER. Wählen Sie dann **Slave** aus und bestätigen abermals. Aktivieren Sie die Ausgabe des Steuersignals in der Master-Einheit (Control -> Stand Alone -> Master/Alone -> Master). Verbinden Sie die Slave- und die Master-Einheit (gleiches Modell, gleicher Softwarestand) mit Hilfe eines DMX-Kabels oder stellen die Verbindung via W-DMX® her und aktivieren in der Master-Einheit die Stand-Alone Betriebsart Play Scene oder Play Loop. Nun folgt die Slave-Einheit exakt der Master-Einheit.



SYSTEMEINSTELLUNGEN (Settings)

Ausgehend von der Hauptanzeige gelangen Sie durch Drücken auf MENU in das Hauptmenü (Main Menu). Wählen Sie mit Hilfe von ▲ und ▼ **Settings** aus und bestätigen mit ENTER.



Informationen zu den Untermenüpunkten im Settings-Menü und den entsprechenden Einstelloptionen finden Sie in untenstehender Tabelle (Auswahl mit ▲ und ▼, bestätigen mit ENTER, Wert bzw. Status ändern mit ▲ und ▼, bestätigen mit ENTER).

Settings (Fettdruck = Werkseinstellung)					
Wireless	Drahtloseinstellungen	State	On	Drahtlosmodul aktiviert	
			Off	Drahtlosmodul deaktiviert	
		Operating Mode	RX	Drahtlosmodul = Empfänger	
			TX CRMX	Drahtlosmodul = Sender mit CRMX Sendestandard	
			TX G3	Drahtlosmodul = Sender mit G3 Sendestandard	
		Linking	Unlink	TX G4s	Drahtlosmodul = Sender mit G4s Sendestandard
					Wireless-DMX Verbindungen trennen und in Koppelbereitschaft versetzen

Wireless	Drahtloseinstellungen	Linking	Link/Force to pair	Koppeln mit kompatiblen, koppelbereiten Drahtlos-Geräten		
		Linking Key	Linking Key	Einstellen des Verbindungsschlüssels		
			CRMX Mode (nur verfügbar, wenn Operating Mode = RX)	CRMX	Empfangsstandard = CRMX	
				CRMX2	Empfangsstandard = CRMX2	
			CRMX Universe	A - H	Auswahl CRMX Universum A bis H	
		Universe Metadata	RGB Colour Code	Red, Orange, Yellow, Green, Cyan, Blue, Purple, White	RGB-Code zur farblichen Darstellung des Universums	
			Universe Name	Eine 16-stellige Zeichenkette mit einem individuell einstellbaren Namen, der das Universum identifiziert		
		Bluetooth	State	On	Bluetooth eingeschaltet	
				Off	Bluetooth ausgeschaltet	
			Pin	On	PIN-Abfrage eingeschaltet (Werkseinstellung 081569)	
	Off			PIN-Abfrage ausgeschaltet		
	Signal Routing	Send to XLR	Weiterleiten des Steuersignals an XLR (DMX OUT)			
		Backup by XLR	Ansteuerung per XLR (DMX IN) bei Wireless Signalunterbrechung			
Receive only		Keine Verbindung zwischen Wireless-DMX Signal und XLR-Anschlüssen				
Display	Display Einstellungen	Reverse	On	Drehung der Display-Anzeige um 180° (z.B. Kopfübermontage)		
			Off	Keine Drehung der Display-Anzeige		
			Auto	Automatische Lageerkennung (stehend / Kopfübermontage)		
	Off Timer	Always On	Permanent an			
		Off after 20s	Deaktivierung nach ca. 20 Sekunden Inaktivität			

Display	Display Einstellungen	Autolock	On after 60s	Bedienelemente nach ca. 60 Sekunden ohne Eingabe gesperrt (LOCKED). Entsperren: Ca. 5 Sekunden lang UP und DOWN gleichzeitig drücken.
			Off	Autolock-Funktion deaktiviert
Dimmer	Dimmer-Einstellungen	Curve (Dimmerkurve)	Linear	Die Lichtintensität steigt linear mit dem DMX-Wert an
			Exponential	Die Lichtintensität lässt sich im unteren DMX-Wertbereich fein und im oberen DMX-Wertbereich grob einstellen
			Logarithmic	Die Lichtintensität lässt sich im unteren DMX-Wertbereich grob und im oberen DMX-Wertbereich fein einstellen
			S-Curve	Die Lichtintensität lässt sich im unteren und oberen DMX-Wertbereich fein und im mittleren DMX-Wertbereich grob einstellen
		PWM Frequency	650 Hz, 1530 Hz, 3600 Hz, 12 kHz, 18.9 kHz, 25 kHz	Auswählen der LED PWM Frequenz
		Response (Dimmverhalten)	Light Source	Der Scheinwerfer reagiert abrupt auf Änderungen des DMX-Werts
			Halogen	Der Scheinwerfer verhält sich ähnlich einem Halogenstrahler mit sanften Helligkeitsänderungen
Movement	Kopfbewegungen einstellen	Pan Reverse	On	Umkehrung der Pan Bewegungsrichtung
			Off	Keine Umkehrung der Pan Bewegungsrichtung
		Tilt Reverse	On	Umkehrung der Tilt Bewegungsrichtung
			Off	Keine Umkehrung der Tilt Bewegungsrichtung
		Pan Angle	540°	Pan Winkel 540°
			630°	Pan Winkel 630°
Position Feedback	On	Automatische Positionskorrektur aktiviert		
	Off	Automatische Positionskorrektur deaktiviert		

Move- ment	Kopf- bewe- gungen einstellen	Move in Black	On	Blackout bei Kopfbewegung	
			Off	Kein Blackout bei Kopfbewegung	
		Silent Movement	On	Verlangsamte Motorbewegungen für leiseren Betrieb	
			Off	Funktion deaktiviert	
Wheels	Gobo- und Farbrad-einstellungen	Gobo Wheel	Position	Clockwise	Goborad dreht immer im Uhrzeigersinn
				Shortest Way	Goborad dreht den kürzesten Weg
			Movement	Snap	Goborad springt bei Erreichen des entsprechenden Werts direkt zum gewünschten Gobo
				Scroll	Stufenlose Drehung der Goboräder
		Colour Wheel	Position	Clockwise	Farbrad dreht immer im Uhrzeigersinn
				Shortest Way	Farbrad dreht den kürzesten Weg
			Movement	Snap	Farbrad springt bei Erreichen des entsprechenden Werts direkt zum gewünschten Farbfilter
				Scroll	Stufenlose Drehung des Farbrads
		Move in Black	On	Blackout bei Wertänderungen bei den Farb- und Goborädern	
			Off	Kein Blackout bei Wertänderungen bei den Farb- und Goborädern	
		Sun Pro- tection	Schutz- funktion für die internen Kompo- nenten	On	Aktiviert Blackout und der Gerätekopf wird nach unten gerichtet
				Off	Funktion deaktiviert
Fan	Lüfterein- stellun- gen	Auto	Automatische Lüftersteuerung		
		Off	Deaktivierter Lüfter bei stark reduzierter Helligkeit		
		Constant Low	Konstant niedrige Lüftergeschwindigkeit bei reduzierter Helligkeit, falls notwendig		

Fan	Lüftereinstellungen	Constant Mid	Konstant mittlere Lüftergeschwindigkeit bei reduzierter Helligkeit, falls notwendig
		Constant High	Konstant hohe Lüftergeschwindigkeit
Signal Fail	Betriebszustand bei DMX-Signal-Unterbrechung	Hold	Letzter Befehl wird gehalten
		Last Stand Alone	Die zuletzt ausgewählte Stand Alone Betriebsart wird aktiviert
		Fade to Black (10s)	10 Sekunden Fade zu Blackout
		Blackout	Aktiviert Blackout
		Sun Protection	Aktiviert Blackout und der Gerätekopf wird nach unten gerichtet
Store Default	Einstellungen in 3 individuellen Presets speichern	User A	Alle aktuellen Einstellungen als Benutzer-Preset A speichern
		User B	Alle aktuellen Einstellungen als Benutzer-Preset B speichern
		User C	Alle aktuellen Einstellungen als Benutzer-Preset C speichern

SERVICE-MENÜ (Service)

Ausgehend von der Hauptanzeige gelangen Sie durch Drücken auf MENU in das Hauptmenü (Main Menu). Wählen Sie mit Hilfe von ▲ und ▼ **Service** aus und bestätigen mit ENTER.

Main Menu	Service
Control	Load Default
Settings	Reset
Service	Test
System Info	Reset Service Timer
	Password

Informationen zu den Untermenüpunkten im Service-Menü und den entsprechenden Optionen finden Sie in untenstehender Tabelle (Auswahl mit ▲ und ▼, bestätigen mit ENTER, Befehl auswählen mit ▲ und ▼, bestätigen mit ENTER).

Service		
Load Default	Factory Default	Zurücksetzen auf Werkseinstellung
	User A	Zurücksetzen auf User A Werte (User Werte speichern: Settings -> Store Default)
	User B	Zurücksetzen auf User B Werte (User Werte speichern: Settings -> Store Default)
	User C	Zurücksetzen auf User C Werte (User Werte speichern: Settings -> Store Default)

Reset	Pan/Tilt	Pan/Tilt Motoren zurücksetzen
	Head	Motoren im Gerätekopf zurücksetzen
	All	Alle Motoren zurücksetzen
Test	Test Sequence	Vorprogrammierte Sequenz zum Testen aller Komponenten
	Stress Test	Vorprogrammierte Sequenz zum Testen aller Komponenten unter Maximallast
	Motor Test	Alle Motoren einzeln mit Werten von 000 bis 255 ansteuern
Reset Service Timer	No	Service-Betriebszeit nicht zurücksetzen
	Yes	Service-Betriebszeit zurücksetzen
Password	Nur für Service-Zwecke	

SYSTEMINFORMATIONEN (System Info)

Ausgehend von der Hauptanzeige gelangen Sie durch Drücken auf MENU in das Hauptmenü (Main Menu). Wählen Sie mit Hilfe von ▲ und ▼ **System Info** aus und bestätigen mit ENTER.

Main Menu	System Info
Control	Firmware
Settings	Wireless
Service	Temperature
System Info	Fan Speed
	Runtime
	MAC Address
	RDM UID
	DMX Values
	Error Info
	DMX Table

Informationen zu den Untermenüpunkten im System-Info-Menü und den entsprechenden Optionen finden Sie in untenstehender Tabelle (Auswahl mit ▲ und ▼, bestätigen mit ENTER).

System Info			
Firmware	DISP	Vx.x.x	Anzeige der Firmware-Version der entsprechenden Komponente
	CTR1-Motor	Vx.x.x	
	...	Vx.x.x	
Wireless	Module	TimoTwo	Drahtlosmodul Modell
	Device Name	CLORONH2-xxxx	Gerätename
	Version	HW (Hardware)	Hardware-Versionsnummer
		SW (Software)	Software-Versionsnummer
	Link Quality	%	Verbindungsqualität in Prozent
Data Source	None / DMX / Wireless Link / SPI / BLE	Informationen zur Datenquelle	

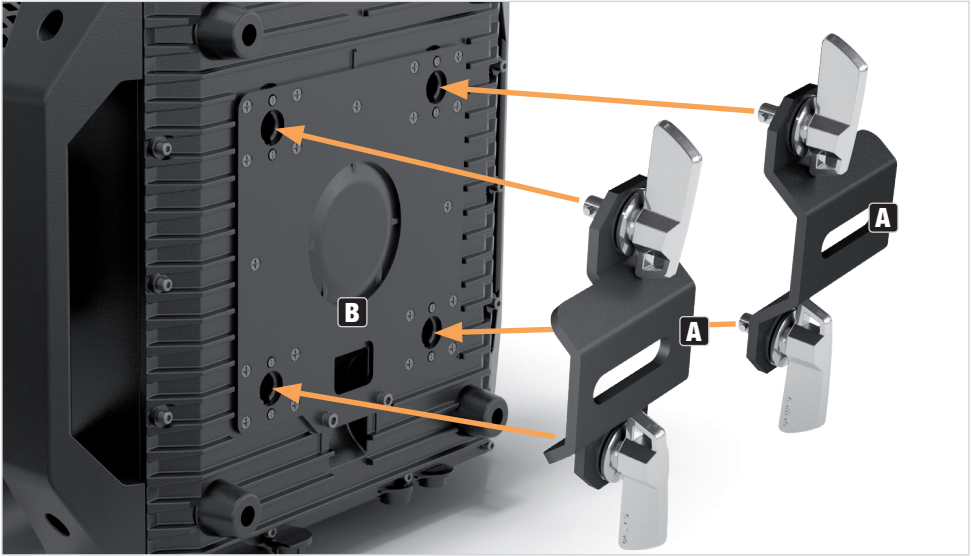
Wireless	Status	Operational: DMX Data: RDM Identify: RF Link: Link State:	Statusinformationen
Temperature	Light Source	xxx °C/°F	Anzeige der Temperatur der entsprechenden Komponente
	Base	xxx °C/°F	
	Temperature Unit	°C °F	Einstellen der Temperatureinheit (zum Ändern ENTER drücken)
Fan Speed	xxxx RPM	Anzeige der Drehzahl des entsprechenden Lüfters	
Runtime	Total	xxxx h : xx m	Gesamtbetriebszeit
	Operation	xxxx h : xx m	Nutzzeit
	Light Source	xxxx h : xx m	Betriebszeit des Leuchtmittels
	Service	xxxx h : xx m	Betriebszeit nach dem Zurücksetzen der Service-Betriebszeit
MAC Address	xx:xx:xx:xx:xx:xx	MAC-Adresse	
RDM UID	RDM Unique Identifier (eindeutige Kennung)		
DMX Values	Anzeige der anliegenden DMX-Werte		
Error Info	Fehleranzeige im Fehlerfall		
DMX Table	Anzeige der Tabellen der DMX-Modi		

AUFSTELLUNG UND MONTAGE

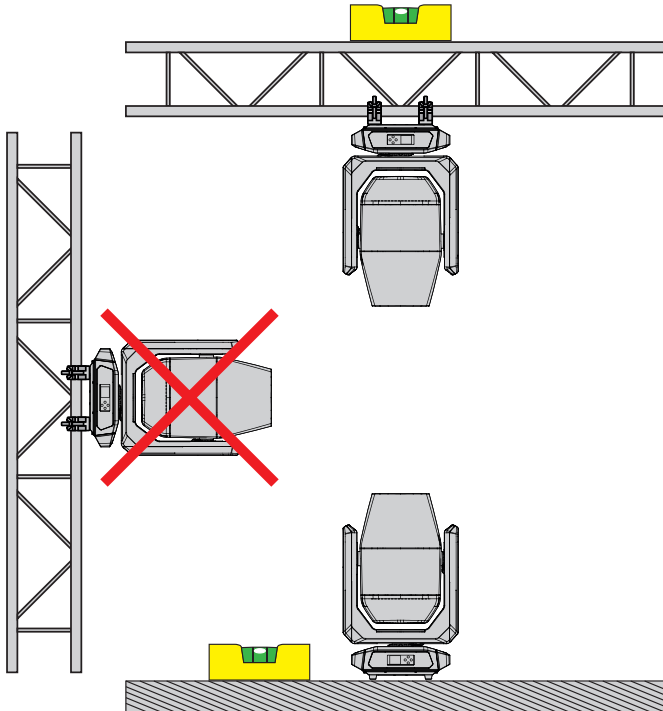


GEFAHR: Überkopfmontage erfordert umfassende Erfahrung, einschließlich der Berechnung der Grenzwerte für die Arbeitslast, des verwendeten Installationsmaterials und der regelmäßigen Sicherheitsüberprüfung aller Installationsmaterialien und Scheinwerfer. Wenn Sie diese Qualifikationen nicht haben, versuchen Sie nicht, eine Installation selbst durchzuführen, sondern nutzen Sie die Hilfe von professionellen Unternehmen. Es besteht die Gefahr, dass sich nicht korrekt montierte und gesicherte Geräte lösen und herabfallen. Dadurch können Personen schwer verletzt oder getötet werden.

Dank der integrierten Gummifüße kann der Scheinwerfer an einer geeigneten Stelle auf eine ebene Fläche gestellt werden. Die Montage an einer Traverse erfolgt mit Hilfe zweier Omega-Bügel, die an der Gerätebasis befestigt werden (A). Zwei Omega-Bügel sind im Lieferumfang enthalten, geeignete Traversenklemmen sind optional erhältlich. Sorgen Sie für feste Verbindungen und sichern Sie den Scheinwerfer mit einem geeigneten Sicherungsseil an der dafür vorgesehenen Stelle (B).



GEBRAUCHSLAGE



PFLEGE, WARTUNG UND REPARATUR

Um die einwandfreie Funktion des Geräts auf Dauer zu gewährleisten, muss es regelmäßig gepflegt und bei Bedarf gewartet werden. Der Pflege- bzw. Wartungsbedarf steht in Abhängigkeit der Nutzungsintensität und -umgebung. Wir empfehlen generell eine Sichtprüfung vor jeder Inbetriebnahme. Weiterhin empfehlen wir alle 500 Betriebsstunden, oder bei geringerer Nutzungsintensität spätestens nach Ablauf eines Jahres alle unten genannten und zutreffenden Pflegemaßnahmen durchzuführen. Bei Mängeln, die auf eine unzureichende Pflege zurückzuführen sind, kann es zu Einschränkungen der Garantieansprüche kommen.



WARNUNG! Vor jeglichen Pflegemaßnahmen müssen die Spannungsversorgung und sofern möglich sämtliche Geräteverbindungen getrennt werden.



HINWEIS! Unsachgemäße Pflege kann zu Beeinträchtigung des Gerätes führen bis hin zur Zerstörung.

1. Gehäuseoberflächen müssen mit einem sauberen, feuchten Tuch gereinigt werden. Dabei ist darauf zu achten, dass keine Feuchtigkeit in das Gerät eindringen kann.
2. Luftein- und -austrittsöffnungen müssen regelmäßig von Staub und Schmutz befreit werden. Im Fall des Einsatzes von Druckluft ist darauf zu achten, dass Beschädigungen am Gerät verhindert werden (z.B. müssen Lüfter für diesen Fall blockiert werden, da sie sonst überdrehen könnten).
3. Leitungen und Steckkontakte sind regelmäßig zu reinigen und von Staub und Schmutz zu befreien.
4. Es dürfen generell keine Reinigungsmittel oder Mittel mit schleifender Wirkung zur Pflege verwendet werden, andernfalls ist mit Beeinträchtigung der Oberflächenbeschaffenheit zu rechnen.
5. Geräte sind generell trocken zu lagern und vor Staub und Verschmutzung zu schützen.
6. Um den korrekten und sicheren Betrieb zu gewährleisten, müssen sämtliche zugängliche oder herausnehmbare Linsen und Lichtaustrittsöffnungen regelmäßig gereinigt werden.

WARTUNG UND REPARATUR (nur durch Fachpersonal)



GEFAHR! Im Gerät befinden sich spannungsführende Bauteile. Auch nach Trennung der Netzverbindung kann noch Restspannung im Gerät vorhanden sein, z.B. durch geladene Kondensatoren.



HINWEIS! Wartungs- und Reparaturmaßnahmen dürfen nur von ausreichend qualifiziertem Fachpersonal durchgeführt werden. Im Zweifel wenden Sie sich an eine Fachwerkstatt.

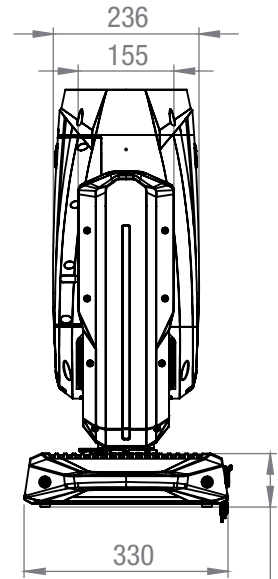
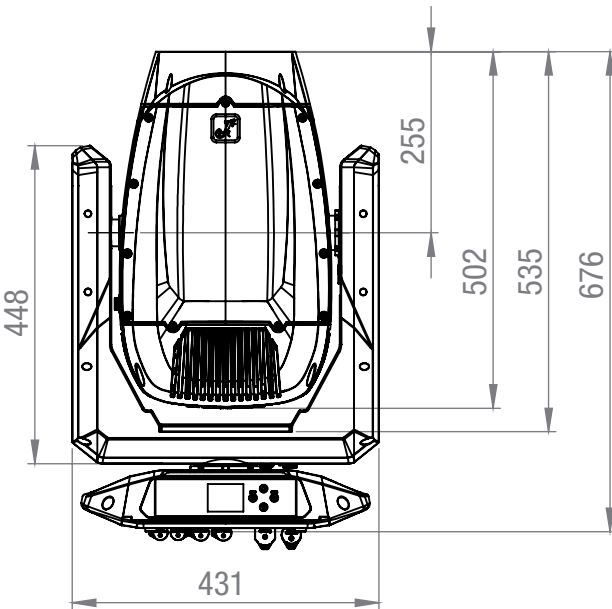
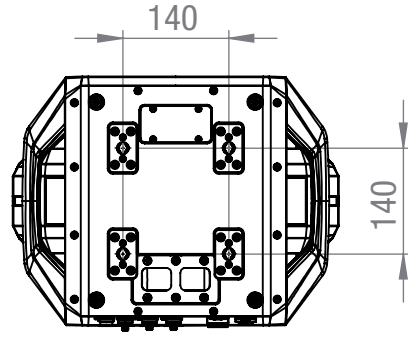
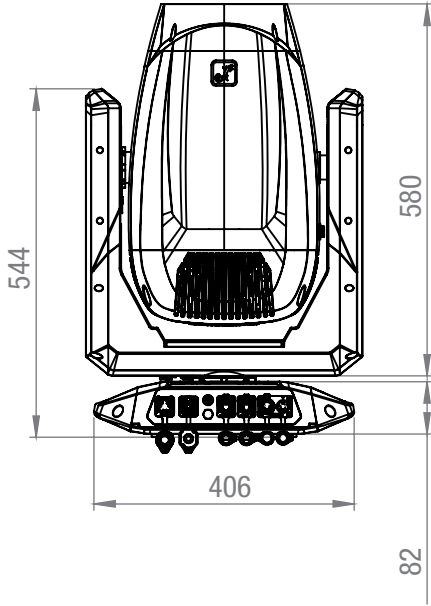


HINWEIS! Unsachgemäß ausgeführte Wartungsarbeiten können den Gewährleistungsanspruch beeinträchtigen.



HINWEIS! Bei vom Hersteller vorgesehenen Um- oder Nachrüstsets beachten Sie unbedingt die beiliegende Einbauanleitung.

ABMESSUNGEN (mm)



87

TECHNISCHE DATEN

ENGLISH

Artikel-Nr.: **CLORONH2**

Produkttyp: IP65 PHOSPHOR-LASER MOVING HEAD

Typ: Moving Head

Bezugsmenge: 1

Typ der Lichtquelle: Laser-Phosphor-Engine, 260 W

Mindestlebensdauer der Lichtquelle (L70): "> 12,000 h
(Lebenszeit definiert als Zeit bis 70 %/L70)"

Farbtemperatur (Lichtquelle): 8000 K

Farbtemperatur (Leistung): 6500 K

Farbmischung: CMY + CTO

CTO-Rad: 3000 K–6500 K

CRI: 68 (nativ) > 85 mit hohem CRI-Filter

Farbrad: 19 + offene und kontinuierliche Positionierung

Festes Gobarad: 19 fest + 1 offen

Rotierendes Gobarad: 12 rotierend + 1 offen

Effekte: 2 × Prismenebenen (Überlappung) mit 7 × Effekten (1. Ebene: 5 × Prismen; 2. Ebene: 1 × Prisma, Ovalisator + 3 × Frostfilter (leicht/mittel/schwer))

Abstrahlwinkel: 0,6°–32°

Pan-Winkel: Einstellbar: 630° / 540°

Neigungswinkel: 270°

DMX-Eingang: 5-poliger XLR-Stecker männlich IP65

DMX-Ausgang: 5-poliger XLR-Stecker weiblich IP65

DMX-Modi: 24-Kanal Basic, 27-Kanal Standard, 33-Kanal Extended

DMX-Funktionen: PAN/TILT, PAN/TILT Fine, Dimmer, Dimmer Fine, Strobo, Cyan, Cyan Fine, Magenta, Magenta Fine, Yellow, Yellow Fine, Linear CTO, Colour Wheel, Fixed Gobo Wheel, Rotating Gobo Wheel, Zoom, Zoom Fine, Focus, Focus Fine, Prisma, Prisma Rotation, Frost, Animation Wheel

Standalone-Funktionen: Play Scene; Play Loop

Geräteeinstellungen: Display Flip, Display Backlight Ein/Aus, Signal Error, PAN Invert, TILT Invert, Feedback, Move in Black, Test, Reset, User Defaults, Blackout

DEUTSCH

FRANCAIS

ESPAÑOL

POLSKI

ITALIANO

DMX

Geräteeinstellungen:	Functions, Colour/Gobo Wheel Scroll/Snap, Auto Lock, PAN/TILT Speed, Lamp Default, Fan Modes, Sun Protection, Sleep Mode
PWM:	650 Hz, 1530 Hz, 3600 Hz, 12 kHz, 18.9 kHz, 25 kHz
Dimmer-Kurven	Linear; Exponentiell; Logarithmisch; S-Kurve
Stroboskop:	1 Hz – 20 Hz
Steuerung:	DMX, RDM, Art-Net, sACN, WDMX/CRMX
Bedienelemente:	4-Tasten-Navigation (MENU / ENTER / UP / DOWN)
Display:	Hintergrundbeleuchtetes 2" TFT-Display
Betriebsspannung:	100 – 240 V AC / 50 – 60 Hz
Einschaltstrom:	13 A / 1 ms @ 230 V (erster Halbzyklus)
Schutzklasse:	1
Überspannungsschutz:	> 6000 V
Sicherung:	6,3 A / 250 V
Leistungsaufnahme:	460 W
Beleuchtungsstärke:	330000 lx @ 20 m @ 0,6°
Netzanschluss:	Seetronic IP65 Ein- und Ausgang
IP-Schutzart:	IP65
Umgebungstemperatur (Betrieb):	-20°C – 40°C
Gehäusematerial:	Magnalium
Gehäusefarbe:	Schwarz
Kühlung:	Temperaturgesteuerte Lüfter
Mindestabstand zur beleuchteten Fläche	25 m
Mindestabstand zu normal entflammaren Materialien:	0,1 m
Risikogruppe:	RG3
Gefährliche Entfernung:	∞, Richten Sie den Lichtstrahl nie auf Personen
Durchmesser der Linse:	178 mm
Abmessungen (B x H x T):	Siehe Grafik
Gewicht:	32 kg
Weitere Eigenschaften:	"1 m Stromkabel mit Seetronic IP65 Stecker und 2 Stück Omega-Montagehalterungen (CLO-MEGABRACKET5) enthalten"
Zubehör (optional)	SIP-Einsatz aus EPP-Schaum

ERLÄUTERUNGEN ZUR IP-SCHUTZART

1. Eine IP-Schutzart gibt ausschließlich den Schutz gegen feste Gegenstände, sowie Wasser wieder. Sie beschreibt keine allgemeine Witterungsbeständigkeit, wie beispielsweise Schutz gegen UV-Strahlung und Temperatureinflüsse etc.

2. Die erste Kennziffer bezeichnet den Schutz gegen Staub, feste Gegenstände und Berührung:

IP2X	Geschützt gegen feste Fremdkörper mit Durchmesser ≥ 12.5 mm
IP3X	Geschützt gegen feste Fremdkörper mit Durchmesser ≥ 2.5 mm
IP4X	Geschützt gegen feste Fremdkörper mit Durchmesser ≥ 1.0 mm
IP5X	Geschützt gegen Staub in schädigender Menge und vollständig gegen Berührung geschützt
IP6X	Sind staubdicht und vollständig gegen Berührung geschützt

3. Die zweite Kennziffer bezeichnet den Schutz gegen Wasser:

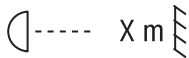
IPX0	kein Schutz
IPX1	Schutz gegen Tropfwasser
IPX2	Schutz gegen fallendes Tropfwasser, wenn das Gerät bis zu 15° geneigt ist
IPX3	Schutz gegen fallendes Sprühwasser bis 60° gegen die Senkrechte
IPX4	Schutz gegen allseitiges Spritzwasser
IPX5	Schutz gegen Strahlwasser (Düse) aus beliebigem Winkel
IPX6	Schutz gegen starkes Strahlwasser
IPX7	Schutz gegen zeitweiliges Untertauchen

4. Weiterhin sind teilweise gerätespezifische Maßnahmen wie Abdeckungen und Verschlusskappen notwendig um die angegebene Schutzart zu erreichen (z.B. Schutzkappen an nicht verwendeten Anschlüssen).



Die IP-Schutzart des Produkts finden Sie in den technischen Daten und als Aufdruck auf dem Gerät.

MINDESTABSTAND ZUR BELEUCHTETEN FLÄCHE



Dieses Symbol mit Entfernungsangabe in Metern (m) gibt den Mindestabstand des Leuchtkörpers zur beleuchteten Fläche an. Den für dieses Gerät gültigen Wert entnehmen Sie bitte den technischen Daten in dieser Anleitung und dem Aufdruck auf dem Gerätegehäuse!

MINDESTABSTAND ZU NORMAL ENTFLAMMBAREN MATERIALIEN



Dieses Symbol mit Entfernungsangabe in Metern (m) gibt den Mindestabstand des Geräts zu normal entflammabaren Materialien an. Den für dieses Gerät gültigen Wert entnehmen Sie bitte den technischen Daten in dieser Anleitung!

ENTSORGUNG



VERPACKUNG:

1. Verpackungen können über die üblichen Entsorgungswege dem Wertstoffkreislauf zugeführt werden.
2. Bitte trennen Sie die Verpackung entsprechend der Entsorgungsgesetze und Wertstoffverordnungen in Ihrem Land.



GERÄT:

1. Dieses Gerät unterliegt der europäischen Richtlinie für Elektro- und Elektronik-Altgeräte in der jeweils geltenden aktuellen Fassung. WEEE-Richtlinie Waste Electrical and Electronical Equipment. Altgeräte gehören nicht in den Hausmüll. Das Altgerät muss über einen zugelassenen Entsorgungsbetrieb oder eine kommunale Entsorgungseinrichtung entsorgt werden. Bitte beachten Sie geltende Vorschriften in Ihrem Land!
2. Beachten Sie alle in Ihrem Land geltenden Entsorgungsgesetze.
3. Als Privatkunde erhalten Sie Informationen zu umweltfreundlichen Entsorgungsmöglichkeiten über den Händler, bei dem das Produkt erworben wurde, oder über die entsprechenden regionalen Behörden.

HERSTELLERERKLÄRUNGEN

Herstellergarantie & Haftungsbeschränkung

Adam Hall GmbH, Adam-Hall-Str. 1, D-61267 Neu Anspach /

E-Mail Info@adamhall.com / +49 (0)6081 / 9419-0

Unsere aktuellen Garantiebedingungen und Haftungsbeschränkung finden Sie unter:

https://cdn-shop.adamhall.com/media/pdf/Manufacturers-Declarations-CAMEO_DE_EN_ES_FR.pdf

Im Servicefall wenden Sie sich an Ihren Vertriebspartner.

CE-Konformität

Hiermit erklärt die Adam Hall GmbH, dass dieses Produkt folgender Richtlinie entspricht (soweit zutreffend):

Niederspannungsrichtlinie (2014/35/EU)

EMV-Richtlinie (2014/30/EU)

RoHS-Richtlinie

Funkanlagenrichtlinie

CE-Konformitätserklärung

Konformitätserklärungen für Produkte, die den Niederspannungs-, EMV- und RoHS-Richtlinien unterliegen, können unter info@adamhall.com angefragt werden.

Konformitätserklärungen für Produkte, die der Funkanlagenrichtlinie unterliegen, können unter www.adamhall.com/compliance/ heruntergeladen werden.

Druckfehler und Irrtümer, sowie technische oder sonstige Änderungen sind vorbehalten!

VOUS AVEZ FAIT LE BON CHOIX !

Cet appareil a été développé et fabriqué selon les normes de qualité les plus élevées afin de garantir de nombreuses années de fonctionnement sans problème. Veuillez lire attentivement ce manuel d'utilisation afin de pouvoir utiliser rapidement et de manière optimale votre nouveau produit Cameo Light. De plus amples informations sur Cameo Light sont disponibles sur notre site web **CAMEOLIGHT.COM**

INFORMATIONS SUR CE MANUEL D'UTILISATION

- Lisez attentivement les consignes de sécurité et l'ensemble du manuel avant d'utiliser l'appareil.
- Respectez les avertissements figurant sur l'appareil et dans le manuel d'utilisation.
- Gardez toujours le manuel d'utilisation à portée de main.
- Si vous vendez ou transmettez l'appareil, il est important d'inclure également ce manuel d'utilisation, car il fait partie intégrante du produit.

UTILISATION PRÉVUE

Ce produit est un appareil pour technologie événementielle.

Ce produit a été développé pour une utilisation professionnelle dans le domaine de la technologie événementielle et ne convient pas à l'éclairage dans un cadre domestique ou dans des zones résidentielles.

L'appareil ne doit pas être utilisé pour éclairer des personnes.

Il incombe à l'opérateur de veiller à ce qu'aucune personne ne soit exposée au faisceau lumineux ou à ses réflexions.

Fonctionnement temporaire L'équipement événementiel est conçu pour un usage temporaire uniquement et n'est pas destiné à une utilisation continue ou à une installation permanente. En outre, ce produit est exclusivement destiné à des utilisateurs qualifiés possédant des connaissances spécialisées en matière de technologie événementielle,

Une utilisation du produit non conforme aux caractéristiques techniques et aux conditions d'utilisation spécifiées est considérée comme une utilisation incorrecte.

Toute responsabilité relative aux dommages et aux dégâts causés par des tiers aux personnes et aux biens suite à une utilisation inappropriée est exclue.

Le produit ne convient pas :

- Enfants (les enfants doivent être informés de ne pas jouer avec l'appareil).
- les personnes dont les capacités physiques, sensorielles ou mentales sont réduites ou qui manquent d'expérience et de connaissances.

EXPLICATION DES TERMES ET PICTOGRAMMES

1. **DANGER** : Le mot DANGER, éventuellement associé à un pictogramme, indique des situations ou des conditions immédiatement dangereuses pour la vie et l'intégrité physique.
2. **AVERTISSEMENT** : Le mot AVERTISSEMENT, parfois utilisé en combinaison avec un pictogramme, fait référence à des situations potentiellement dangereuses ou pouvant présenter un risque pour la vie ou l'intégrité physique.

3. **MISE EN GARDE** : Le terme MISE EN GARDE, éventuellement associé à un pictogramme, est utilisé pour indiquer des situations ou des conditions pouvant entraîner des blessures.

4. **ATTENTION** : Le mot ATTENTION, éventuellement associé à un pictogramme, fait référence à des situations ou à des conditions qui peuvent entraîner des dommages matériels et/ou environnementaux.



Ce pictogramme identifie les dangers qui peuvent causer un choc électrique.



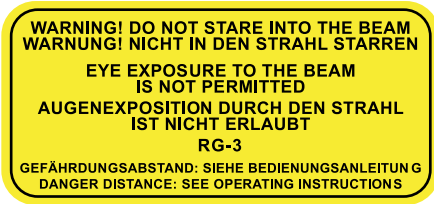
Ce pictogramme identifie les zones ou les situations dangereuses.



Ce pictogramme indique les dangers occasionnés par les surfaces portées à haute température.



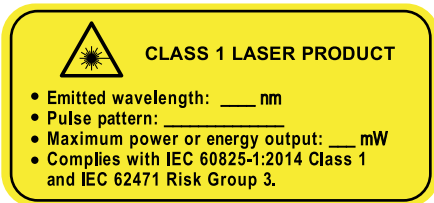
Ce pictogramme indique qu'il faut éviter de regarder ou de fixer la source lumineuse.



Ce symbole indique que les sources de lumière intense classées dans le groupe de risque 3 peuvent provoquer des lésions cutanées ou oculaires.



Ce symbole indique la direction dans laquelle la lumière potentiellement dangereuse est émise au niveau de la sortie lumineuse.



Ce symbole indique que le produit est un dispositif du groupe de risque 3 conforme à la CEI 62471 et à la CEI 60825-01:2014.



Ce symbole indique un risque d'écrasement.



Ce pictogramme indique les sources lumineuses intenses.



Ce symbole indique que le produit ne comporte aucune pièce nécessitant un entretien. Seul le personnel autorisé peut effectuer des travaux de maintenance ou de service.



Ce pictogramme indique des informations supplémentaires concernant le fonctionnement du produit.



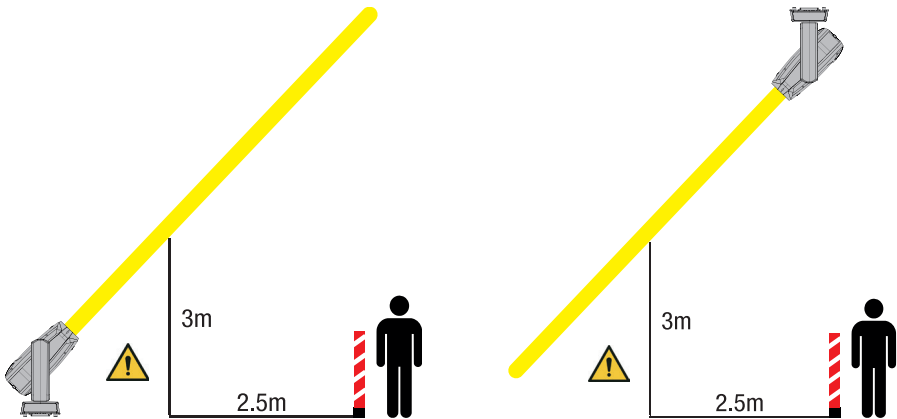
ZONE DE DANGER

Pour les appareils du groupe de risque 3, la zone de danger correspond à la zone dans laquelle le rayonnement optique présente un risque significatif pour la santé. Cette zone est marquée d'un symbole d'avertissement dans l'illustration suivante.

Rayonnement optique

Risque de lésions oculaires graves ou de cécité

1. Veillez à ménager une distance horizontale minimale de 2,5 mètres et une distance verticale d'au moins 3 mètres par rapport à la zone dangereuse.
2. Veillez à ce que personne ne puisse pénétrer dans la zone dangereuse. La zone dangereuse doit être délimitée par des barrières.



CONSIGNES DE SÉCURITÉ



AVERTISSEMENT ! Rayonnement optique

Risque de lésions oculaires graves ou de cécité

1. L'appareil est destiné exclusivement aux effets d'éclairage dans l'air.
2. N'utilisez pas l'appareil pour éclairer des personnes. Il ne convient pas à une utilisation dans des zones résidentielles.
3. Il incombe à l'opérateur de veiller à ce qu'aucune personne ne soit exposée au faisceau lumineux ou à ses réflexions.



DANGER :

1. N'ouvrez pas l'appareil et n'effectuez aucune modification.
2. Si votre appareil ne fonctionne plus correctement, si des liquides ou des objets ont pénétré à l'intérieur ou s'il a été endommagé de toute autre manière, éteignez-le immédiatement et débranchez-le du secteur. Cet appareil ne peut être réparé que par des spécialistes agréés.
3. Pour les appareils de la classe de protection 1, le conducteur de protection (mise à la terre) doit être connecté correctement. Ne coupez jamais le conducteur de protection. Les appareils de classe de protection 2 ne disposent pas d'un conducteur de protection.
4. Assurez-vous que les câbles sous tension ne sont pas tordus, pincés ou endommagés mécaniquement.
5. Ne contournez jamais le fusible de l'appareil.



AVERTISSEMENT :

1. L'appareil ne doit pas être utilisé s'il présente des signes évidents de dommages.
2. L'appareil doit être installé uniquement alors qu'il se trouve hors tension.
3. Si le câble d'alimentation de l'appareil est endommagé, n'utilisez pas l'appareil.
4. Les cordons secteur captifs ne peuvent être remplacés que par une personne qualifiée.



ATTENTION :

1. Ne mettez pas immédiatement l'appareil en service s'il a été exposé à d'importantes variations de température (par exemple, juste après le transport). L'humidité et la condensation internes peuvent endommager l'appareil. Ne mettez l'appareil en marche que lorsqu'il a atteint la température ambiante.
2. Assurez-vous que la tension et la fréquence du secteur correspondent aux valeurs indiquées sur l'appareil. Si l'appareil dispose d'un sélecteur de tension, ne connectez pas l'appareil avant de l'avoir réglé correctement. N'utilisez que des câbles secteur adaptés.



3. Pour déconnecter l'appareil du réseau sur tous les contacts, il ne suffit pas d'appuyer sur l'interrupteur marche/arrêt de l'appareil.
4. Assurez-vous que le fusible installé correspond au type imprimé sur l'appareil.
5. Assurez-vous que des mesures appropriées ont été prises contre les surtensions (par exemple, la foudre).
6. Respectez l'intensité de sortie maximale spécifiée sur les appareils pourvus d'un renvoi secteur (Power Out). Vérifiez que la consommation totale de tous les appareils connectés ne dépasse pas la valeur indiquée.
7. Remplacez les câbles secteur enfichables uniquement par des câbles d'origine.



DANGER :

1. Danger d'asphyxie/étouffement ! Les sacs en plastique et les petites pièces doivent être conservés hors de portée des personnes (y compris les enfants) aux capacités physiques, sensorielles ou intellectuelles réduites.
2. Danger en cas de chute de l'appareil ! Vérifiez que l'appareil est correctement installé et ne peut pas tomber. Utilisez uniquement des supports ou des fixations appropriés (en particulier pour les installations fixes). Vérifiez que les accessoires sont correctement installés et fixés. Veillez à ce que les règles de sécurité applicables soient respectées.



AVERTISSEMENT :

1. N'utilisez l'appareil que conformément à l'usage prévu.
2. N'utilisez avec l'appareil que des accessoires recommandés et prévus par le fabricant.
3. Lors de l'installation, respectez les règles de sécurité en vigueur dans votre pays.
4. Après avoir connecté l'appareil, vérifiez tous les passages de câbles afin d'éviter tout dommage ou accident, par exemple en cas de risque de trébuchement.
5. Respectez toujours la distance minimale spécifiée par rapport aux matériaux inflammables ordinaires. Sauf mention explicite, la distance minimale est de 0,3 m.
6. Respectez toujours la distance minimale par rapport à la surface éclairée indiquée sur l'appareil.



MISE EN GARDE :

1. Les composants mobiles tels que les supports de montage ou d'autres composants mobiles peuvent se coincer.
2. Dans le cas d'appareils comportant des composants motorisés, il existe un risque de blessure dû au mouvement de l'appareil. Un mouvement brusque de l'appareil peut provoquer des réactions de choc.



3. La surface du boîtier de l'appareil peut devenir très chaude en cours de fonctionnement normal. Veillez à ce qu'il ne soit pas possible de toucher accidentellement le boîtier. Laissez toujours l'appareil refroidir suffisamment avant de le déplacer, d'effectuer des travaux d'entretien, de le recharger, etc.



ATTENTION :

1. N'installez pas et ne faites pas fonctionner l'appareil à proximité de radiateurs, de bouches de chaleur, de poêles ou d'autres sources de chaleur. Veillez toujours à ce que l'appareil soit installé de manière à ce qu'il soit suffisamment refroidi et ne puisse pas surchauffer.
2. Ne placez pas de flammes nues, par exemple des bougies allumées, à proximité de l'appareil.
3. Les ouvertures de ventilation ne doivent pas être couvertes et les ventilateurs ne doivent pas être bloqués.
4. Pour le transport, utilisez l'emballage d'origine ou l'emballage fourni par le fabricant.
5. Évitez les chocs ou les impacts sur l'appareil.
6. Respectez la classe de protection IP ainsi que les conditions ambiantes telles que la température et l'humidité spécifiées dans les caractéristiques.
7. Les appareils sont susceptibles d'améliorations en permanence. En cas d'informations divergentes sur les conditions de fonctionnement, les performances ou d'autres propriétés de l'appareil entre le manuel d'utilisation et l'étiquetage de l'appareil, les informations figurant sur l'appareil sont toujours prioritaires.
8. L'appareil n'est pas adapté aux climats tropicaux ni à un fonctionnement à plus de 2000 m au-dessus du niveau de la mer.
9. Sauf indication expresse, l'appareil ne convient pas à un fonctionnement en milieu marin.

ATTENTION !

PRÉCISIONS IMPORTANTES À PROPOS DES PRODUITS D'ÉCLAIRAGE

1. Ce dispositif est un dispositif de groupe de risque 3. Risque de lésions graves de la peau et des yeux ! Ne regardez jamais la source lumineuse ou le faisceau lumineux, même pour un court instant. Ne regardez pas directement la source lumineuse avec un instrument optique, tel qu'une loupe ou des jumelles. N'exposez pas la peau au faisceau lumineux ou à ses réflexions.
2. Ne focalisez pas le faisceau lumineux sur des surfaces inflammables.
3. Les effets stroboscopiques peuvent provoquer des crises d'épilepsie chez les personnes sensibles.
4. Ces appareils utilisent des sources lumineuses installées de façon permanente. Elles ne peuvent pas être remplacées par l'utilisateur. Les sources lumineuses contenues dans cet appareil ne peuvent être remplacées que par le fabricant, son partenaire de service ou une personne de qualification similaire.





ÉQUIPEMENTS INDIVIDUELS DE PROTECTION

Portez des équipements de protection approprié lors du montage, de l'installation et du démontage de l'appareil :

- Gants de protection
- Chaussures de sécurité
- Lunettes de sécurité LB4 conformes à la norme EN 207 (à porter impérativement lors de l'installation)



TRANSMISSION DE SIGNAUX PAR RADIO (PAR EXEMPLE, W-DMX® OU SYSTÈMES AUDIO SANS FIL) :

La qualité et les performances des transmissions de signaux sans fil dépendent généralement des conditions environnantes.

Voici, à titre d'exemple, quelques facteurs susceptibles d'avoir un impact sur la portée et la stabilité du signal :

Absorption/blindage (par exemple, maçonnerie, structures métalliques, eau)

Utilisation intensive du spectre HF (par exemple, réseaux locaux sans fil de grande puissance)

Interférences

Rayonnement électromagnétique (par exemple, écrans vidéo LED, gradateurs)

Toutes les valeurs de portée se réfèrent à une utilisation en champ libre avec un contact visuel entre émetteur et récepteur, et en l'absence d'interférences.

L'exploitation des systèmes de transmission radio est soumise à des réglementations officielles. Ces réglementations peuvent varier d'une région/d'un pays à l'autre et doivent être vérifiées par l'opérateur avant la mise en service (par exemple, fréquence radio et puissance de l'émetteur).



AVERTISSEMENT : Les appareils avec transmission de signaux sans fil ne conviennent pas à une utilisation dans des zones sensibles où le fonctionnement de la radio peut entraîner des interactions potentiellement préjudiciables. Citons notamment :

- Hôpitaux, centres de santé ou autres établissements de soins de santé qui fournissent un traitement au patient avec du personnel et des équipements qualifiés.
- Zones dangereuses Classe I, II et III
- Zones d'accès restreint
- Installations militaires
- Avions ou véhicules
- Zones où l'utilisation des téléphones portables est interdite



TRANSMISSION VIA W-DMX®

AVERTISSEMENT : En général, la transmission DMX sans fil ne doit pas être utilisée pour des applications impliquant des facteurs liés à la sécurité qui pourraient entraîner des blessures ou des dommages matériels en cas de défaillance.

Cela s'applique en particulier aux scènes et structures mobiles, aux moteurs/ascenseurs ou dispositifs de levage commandés par DMX pour contrôle de plates-formes élévatrices, de systèmes hydrauliques ou de dispositifs mobiles similaires.



En outre, la transmission DMX sans fil ne doit pas être utilisée pour déclencher des dispositifs générateurs de flammes ou pyrotechniques, des effets à explosion ou pour contrôler des effets de gaz ou de liquides. Ces dispositifs peuvent être des canons à CO₂, des canons à confettis, des machines à effets d'eau ou autres.

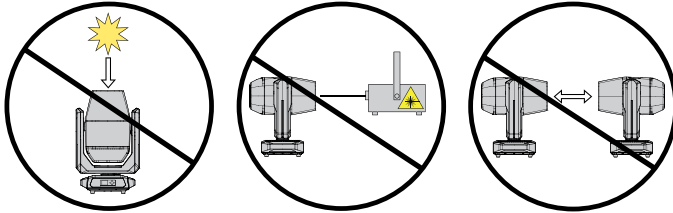


ATTENTION :
DOMMAGES POTENTIELS CAUSÉS PAR DES SOURCES LUMINEUSES EXTERNES

Le rayonnement solaire, les rayons laser et les faisceaux lumineux d'autres projecteurs peuvent endommager le boîtier et les composants internes tels que les filtres, les roues de gobos et de couleurs, les moteurs, les câbles, les courroies, etc. ainsi que les sources lumineuses.

Ne pas exposer l'appareil, et en particulier l'ouverture de la lentille, à la lumière directe du soleil, aux rayons laser et aux faisceaux lumineux d'autres projecteurs lors du déballage, de l'installation, de l'inutilisation prolongée et de l'utilisation. Lorsque l'appareil n'est pas utilisé, orientez toujours l'ouverture de la lentille vers le sol. Pour ce faire, vous pouvez utiliser la fonction de protection solaire, activable via une commande DMX (voir le canal Device Settings (Paramètres de l'appareil) dans le tableau DMX). Un capteur gyroskopique intégré détecte l'orientation de l'appareil.

Les dommages causés par des sources lumineuses externes sont exclus de la garantie du fabricant.



ZONES DE BLACKOUT

Le DMX peut être utilisé pour configurer des zones (zone de visualisation, zone de scène, etc.) de blackout, où une occultation est automatiquement activée dès que le faisceau lumineux atteint une zone grâce à un mouvement de pan et de tilt. Une seule des trois zones de blackout disponibles peut être activée à la fois.



Mise en place de zones de blackout :

1. Paramètres de l'appareil : Valeur 004 - 005 **Enable Savings BO Zone**
2. Définissez un carré (zone de blackout) via les paramètres **Save Position 1** à **Save Position 4** (les valeurs de panoramique et d'inclinaison définies pour les positions respectives)
3. Sauvegardez un carré défini dans une zone avec **Save Position to Zone A** à **Save Position to Zone C**
4. Activez la zone de blackout avec **Blackout Zone A active** ou **Blackout Zone B active** ou **Blackout Zone C active**

L'appareil émet un bref effet stroboscopique pour confirmer qu'une position ou une zone a été sauvegardée avec succès.

Une fois qu'une zone de blackout est établie, la position de l'appareil ne doit pas être modifiée.

Blackout Zone	000	–	005	Zone de blackout désactivée
	006	–	046	Save Position 1
	047	–	087	Save Position 2
	088	–	108	Save Position 3
	109	–	129	Save Position 4
	130	–	150	Save Positions to Zone A
	151	–	171	Save Positions to Zone B
	172	–	192	Save Positions to Zone C
	193	–	213	Blackout Zone A active
	214	–	234	Blackout Zone B active
	235	–	255	Blackout Zone C active
Device settings (hold value for 3 seconds)	000	–	003	Pas de fonction
	004	–	005	Enable Savings BO Zone



REMARQUES À PROPOS DES APPAREILS PORTABLES POUR EXTÉRIEUR

1. Utilisation temporaire ! Le matériel événementiel est généralement conçu pour une utilisation temporaire.
2. Un fonctionnement continu ou une installation structurelle permanente – en particulier à l'extérieur – peut altérer le fonctionnement, détériorer les surfaces et les joints et accélérer la fatigue des matériaux.
3. Un revêtement de surface endommagé peut dégrader la protection anti-corrosion de l'appareil. Les revêtements de surface endommagés (par exemple les rayures) doivent être rapidement réparés à l'aide de mesures appropriées.

CONTENU DU CARTON

Sortez le produit du carton et retirez tous les matériaux d'emballage.

Veuillez vérifier l'intégralité et l'intégrité de la livraison et informer votre partenaire de distribution immédiatement après l'achat si la livraison n'est pas complète ou si elle est endommagée.

Le carton d'emballage du produit contient les éléments suivants :

- ▶ 1 × Lyre asservie ORON H2
- ▶ 1 × Câble secteur
- ▶ 2 × Supports en oméga
- ▶ Informations sur la sécurité et la conformité (manuel de l'utilisateur à télécharger via le code QR)

FONCTIONS DE CONTRÔLE DISPONIBLES :

Contrôle DMX sur 24, 27 et 33 canaux

Mode maître/esclave

Mode autonome

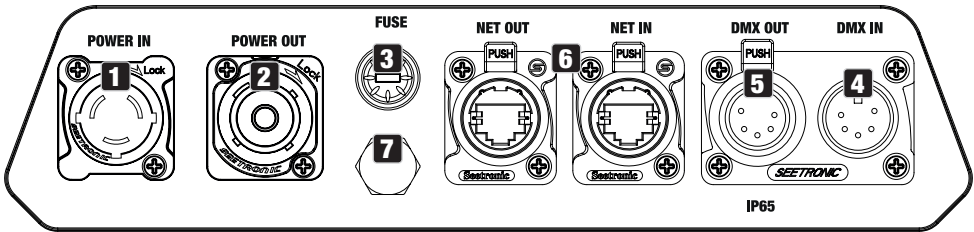
W-DMX®

POINTS FORTS :

Classe de protection IP65 Moteur laser phosphore 260 W. DMX512. Wireless DMX. Compatible Art-Net et sACN. Connecteurs DMX 5 points. Livré avec 2 supports de montage en oméga. Tension secteur : 100 - 240 V.

Le projecteur est compatible avec le protocole RDM (Remote Device Management). Ce protocole de gestion à distance permet à l'utilisateur de contrôler l'état et la configuration des appareils RDM à l'aide d'un contrôleur compatible RDM, tel que le Cameo UNICON disponible en option (numéro d'article CLIREMOTE).

CONNECTEURS, CONTRÔLES ET INDICATEURS



1 POWER IN

Embase secteur IP65 avec capuchon d'étanchéité en caoutchouc. Tension secteur : 100 - 240 V, 50 - 60 Hz. Utilisez le câble secteur fourni pour le branchement (lorsque l'appareil n'est pas utilisé, il faut toujours protéger l'embase avec le capuchon d'étanchéité en caoutchouc).

2 RENVOI SECTEUR (POWER OUT)

Embase secteur IP65 avec capuchon d'étanchéité en caoutchouc. Permet d'alimenter d'autres projecteurs CAMEO. Assurez-vous que l'intensité totale consommée par tous les projecteurs connectés en cascade ne dépasse pas la valeur spécifiée sur l'appareil en ampères (A). Lorsque le renvoi secteur n'est pas utilisé, protégez-le toujours avec le capuchon d'étanchéité en caoutchouc.

3 FUSIBLE

Porte-fusible IP65 pour fusibles 5 x 20 mm. REMARQUE IMPORTANTE : Ne remplacez le fusible que par un fusible de même type et de même valeur. Refermez soigneusement le porte-fusible pour garantir l'étanchéité IP65. En cas de défaillance persistante du fusible, veuillez prendre contact avec un centre de service autorisé.

4 DMX IN

Connecteur XLR mâle IP65 à 5 broches pour le raccord d'un contrôleur DMX (p. ex. console DMX ; en cas de non-utilisation, protégez-le toujours avec le capuchon d'étanchéité en caoutchouc).

5 DMX OUT

Connecteur XLR femelle IP65 à 5 broches pour renvoi du signal DMX entrant (en cas de non-utilisation, protégez-le toujours avec le capuchon d'étanchéité en caoutchouc).

6 NET IN / OUT

Ports réseau RJ45 pour la connexion à un réseau Art-Net ou sACN et pour la transmission du signal de commande (en cas de non-utilisation, protégez-le toujours avec le capuchon d'étanchéité en caoutchouc). Utilisez des câbles CAT 5e ou supérieur, certifiés IP65, pour configurer le réseau.

7 ÉLÉMENT DE COMPENSATION DE LA PRESSION

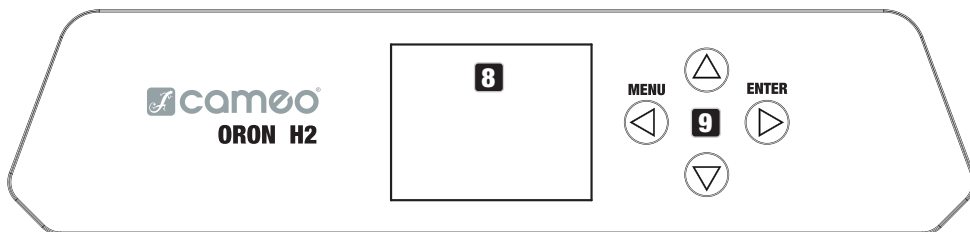
Élément de compensation de la pression destiné à éviter toute condensation à l'intérieur du boîtier. Pour assurer son bon fonctionnement, cet élément doit être protégé de la saleté.

ANTENNE

L'antenne pour le contrôle DMX sans fil est située à l'intérieur de la base de l'appareil.



ATTENTION : Afin d'assurer une protection efficace contre les projections d'eau, conformément à la classe de protection IP65, les embases d'entrée et de sortie DMX doivent être utilisées avec des connecteurs XLR spéciaux IP65, ou elles doivent être scellées à l'aide des capuchons d'étanchéité en caoutchouc. Lorsqu'elles sont connectées correctement, ou scellées avec les capuchons d'étanchéité en caoutchouc, les embases POWER IN et POWER OUT sont protégées contre les projections d'eau, conformément à la classe de protection IP65.



8 ÉCRAN À CRISTAUX LIQUIDES

L'écran à cristaux liquides rétro-éclairé indique le mode actuellement activé (écran principal), les éléments du menu principal et des sous-menus, ainsi que la valeur numérique ou l'état dans certains éléments du menu. Si aucun signal de contrôle n'est envoyé à l'appareil, les caractères au centre de l'écran se mettent à clignoter ; le clignotement s'arrête dès qu'un signal de contrôle est disponible (W-DMX®, DMX et fonctionnement en mode esclave).

9 COMMANDES TACTILES

MENU – Appuyez sur MENU pour accéder au menu principal. Appuyez de nouveau, une ou plusieurs fois, pour revenir à l'écran principal.

▲ et ▼ – Utilisez ▲ et ▼ pour sélectionner les éléments du menu principal (par exemple, l'adresse DMX, le mode de fonctionnement) et des sous-menus. Modifier la valeur ou l'état d'un élément de menu, par exemple l'adresse DMX.

ENTER – Appuyez sur ENTER pour accéder au niveau du menu permettant d'effectuer des modifications de valeur ou d'état, et pour accéder à l'un des sous-menus. Pour confirmer les changements de valeur ou d'état, appuyez sur ENTER.

À NOTER :

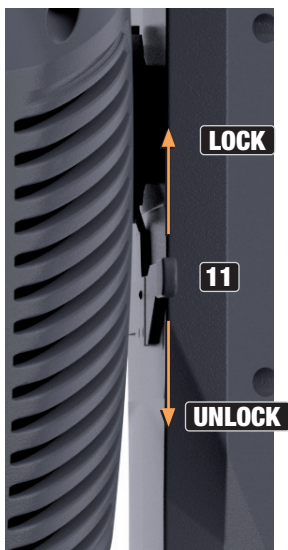
- Avant de naviguer dans le menu de l'appareil, assurez-vous que les commandes tactiles sont sèches et propres, afin que leur fonctionnement ne soit pas altéré.
- La présence d'humidité sur le panneau de commande peut entraîner un mauvais fonctionnement du projecteur, par exemple en extérieur. Par conséquent, après avoir configuré le projecteur, activez la fonction de verrouillage pour empêcher toute modification accidentelle provoquée par la présence d'eau (Settings -> Display -> Autolock). Pour désactiver la fonction de verrouillage : appuyez simultanément sur les touches ▲ et ▼ pendant environ 5 secondes.



Alimenté par batterie, l'écran peut être activé même si l'appareil n'est pas branché sur le secteur. Pour ce faire, appuyez sur la touche MENU et maintenez-la enfoncée pendant environ 10 secondes. Vous pouvez alors accéder aux informations de l'appareil pour modifier et enregistrer les paramètres du système sans connexion au secteur. Le contrôle externe du projecteur n'est pas disponible dans ce cas. Pour cette raison, l'écran indique l'absence de signal de contrôle, même si un signal de contrôle arrive sur l'appareil.

**10 VERROUILLAGE DU PANNEAU**

Dispositif de verrouillage mécanique empêchant la rotation de la tête du projecteur dans le sens vertical pendant le transport (8 positions possibles). Débranchez l'appareil et faites glisser le levier de verrouillage dans le sens de l'axe de rotation de l'inclinaison, en déplaçant la tête de l'appareil verticalement jusqu'à trouver l'une des 8 positions de verrouillage et que le levier de verrouillage s'enclenche. Déverrouiller le dispositif de verrouillage avant la mise en service de l'appareil (UNLOCK).



11 VERROUILLAGE DU BASCULEMENT

Dispositif de verrouillage mécanique empêchant la rotation de la tête du projecteur dans le sens vertical pendant le transport (7 positions possibles). Débranchez l'appareil et faites glisser le levier de verrouillage dans le sens de l'axe de rotation de l'inclinaison, en déplaçant la tête de l'appareil verticalement jusqu'à trouver l'une des 7 positions de verrouillage et que le levier de verrouillage s'enclenche. Déverrouiller le dispositif de verrouillage avant la mise en service de l'appareil (UNLOCK).

12 POIGNÉES ENCASTRÉES

Outre les deux poignées de transport situées dans la base, les deux bras de l'appareil sont dotés de poignées pratiques, encastrées à l'intérieur de leur partie supérieure.



UTILISATION

Remarques

Lorsque le projecteur est correctement branché sur le secteur, les mentions "Software update ... please wait", la version du logiciel, "Welcome to Cameo", et "... RESET" s'affichent à l'écran pendant le démarrage et la réinitialisation du moteur. Le projecteur est ensuite prêt à fonctionner, dans le dernier mode activé avant extinction.

Si aucune entrée n'est effectuée dans un délai d'environ 30 secondes, l'écran principal s'affiche automatiquement.

ÉCRAN PRINCIPAL

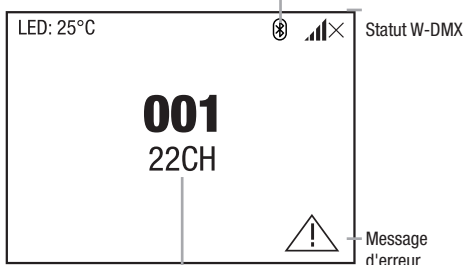
Selon le mode de fonctionnement activé, l'écran principal affiche des informations différentes, pertinentes dans le mode de fonctionnement en cours.

Modes de fonctionnement DMX

et W-DMX®

Température de la source d'éclairage

Température de la source d'éclairage



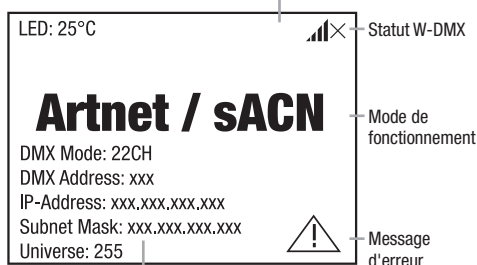
Adresse de départ DMX et mode DMX

Modes de fonctionnement Art-Net

et sACN

Température de la source d'éclairage

Bluetooth désactivé



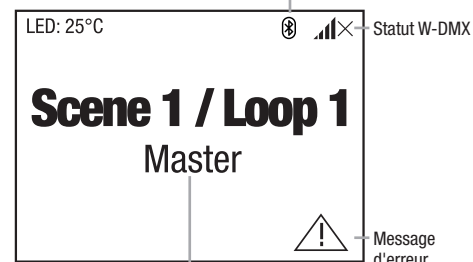
Mode de fonctionnement DMX, adresse DMX, adresse IP, masque de sous-réseau et univers

Modes de fonctionnement autonomes

(Stand Alone)

Température de la source d'éclairage

Bluetooth activé



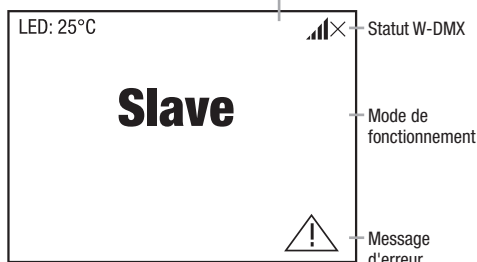
Scène ou boucle et sortie de signal

Mode de fonctionnement esclave

(Slave)

Température de la source d'éclairage

Bluetooth désactivé









Note sur l'écran principal dans les modes de fonctionnement avec contrôle externe : en cas d'interruption du signal de contrôle, les caractères au centre de l'écran se mettent à clignoter ; le clignotement s'arrête dès le retour du signal de contrôle.

Message d'erreur : si le symbole d'avertissement (triangle avec point d'exclamation) apparaît à l'écran, cela signifie qu'un ou plusieurs composants de l'appareil sont défectueux. Les composants concernés peuvent être consultés dans le menu **System Info**, élément **Error Info**. Si l'erreur subsiste après redémarrage ou réinitialisation, veuillez contacter un centre de service agréé.

WIRELESS DMX

Pour appairer un récepteur DMX sans fil avec un émetteur compatible DMX sans fil, il faut utiliser la commande Reset, qui se trouve dans l'élément de menu "WDMX" dans "Receiver" (sélectionner "Unlink" et confirmer). Le récepteur passe alors en attente d'appairage, et attend une demande d'appairage de la part d'un émetteur. Pour lancer l'appairage, sélectionnez "Link" dans le menu de l'émetteur puis confirmez ; l'appairage s'effectue alors automatiquement. L'appairage simultané ou consécutif de plusieurs récepteurs à un émetteur (par exemple, pour un fonctionnement maître/esclave) s'effectue selon la même procédure. La connexion DMX sans fil est toujours maintenue jusqu'à sa désactivation, que ce soit au moyen de la commande Reset dans le récepteur ou de la commande Unlink dans l'émetteur, qu'un appareil ait été débranché ou non entre-temps.

STATUT WIRELESS DMX

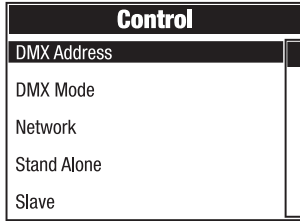
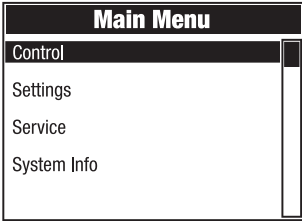
					
W-DMX® désactivé	W-DMX® activé en tant que récepteur ; non appairé	W-DMX® activé en tant que récepteur et appairé ; l'émetteur est éteint ou hors de portée	W-DMX® activé en tant que récepteur et appairé ; pas de signal DMX	W-DMX® activé en tant que récepteur et appairé ; signal DMX présent	W-DMX® activé en tant qu'émetteur

MENU DE CONTRÔLE (Control)

Le menu "Control" permet de sélectionner les différents modes de fonctionnement et de régler leurs options dans les sous-menus correspondants.

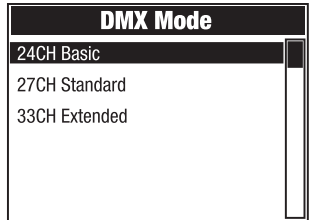
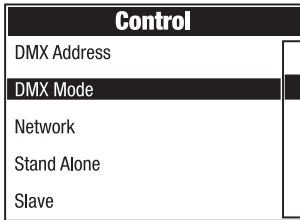
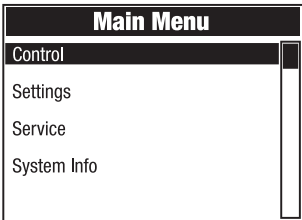
RÉGLAGE DE L'ADRESSE DE DÉPART DMX (DMX Address)

En partant de l'écran principal, appuyez sur MENU pour accéder au menu principal. En utilisant ▲ et ▼, sélectionnez le menu **Control** et appuyez sur ENTER. Sélectionnez ensuite l'élément de menu **DMX Address** et confirmez à nouveau. Utilisez ▲ et ▼ pour régler la valeur souhaitée et appuyez sur ENTER pour confirmer.



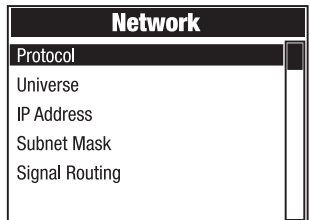
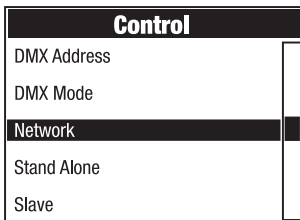
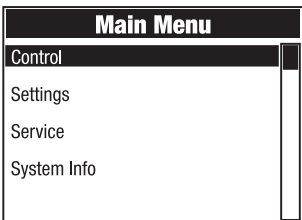
RÉGLAGE DU MODE DE FONCTIONNEMENT DMX (DMX Mode)

En partant de l'écran principal, appuyez sur MENU pour accéder au menu principal. En utilisant ▲ et ▼, sélectionnez le menu **Control** et appuyez sur ENTER. Sélectionnez ensuite l'élément de menu **DMX Mode** et confirmez à nouveau. Utilisez ▲ et ▼ pour régler le mode de fonctionnement DMX souhaité et appuyez sur ENTER pour confirmer. Vous trouverez les tableaux DMX avec l'affectation des canaux dans la section CONTRÔLE DMX de ce manuel d'utilisation.



RÉSEAU (Network)

En partant de l'écran principal, appuyez sur MENU pour accéder au menu principal. En utilisant ▲ et ▼, sélectionnez le menu **Control** et appuyez sur ENTER. Sélectionnez ensuite l'élément de menu **Network** et confirmez à nouveau.



Vous trouverez dans le tableau ci-dessous des informations sur les sous-menus du menu "Network" et les options de réglage correspondantes (sélectionnez avec ▲ et ▼, confirmez avec ENTER, modifiez la valeur ou l'état avec ▲ et ▼, confirmez avec ENTER).

Réseau Art-Net		
Protocol	Artnet	Contrôle via Art-Net
	sACN	Contrôle via sACN

Universe	Absolute Univ.	Configuration de l'univers absolu Art-Net	Dépend du réseau, du sous-réseau et de l'univers
	Net	Configuration du réseau Art-Net	Dépend de l'univers absolu
	Subnet	Configuration du sous-réseau Art-Net	
	Universe	Configuration de l'univers Art-Net	
IP Address	xxx.xxx.xxx.xxx	Réglage de l'adresse IP : réglez le premier bloc, confirmez, réglez le deuxième bloc, confirmez.	
Subnet Mask	xxx.xxx.xxx.xxx	Réglage du masque de sous-réseau : réglez le premier bloc, confirmez, réglez le deuxième bloc, confirmez.	
Signal Routing	Send to XLR	Renvoi du signal de contrôle vers la sortie XLR Out	
	Backup by XLR	Contrôle via XLR en cas d'interruption du signal réseau	
	Receive only	Pas de connexion entre le signal réseau et les connecteurs XLR	

Réseau sACN

Protocol	Artnet	Contrôle via Art-Net
	sACN	Contrôle via sACN
Universe		Configuration de l'univers sACN
IP Address	xxx.xxx.xxx.xxx	Réglage de l'adresse IP : réglez le premier bloc, confirmez, réglez le deuxième bloc, confirmez.
Subnet Mask	xxx.xxx.xxx.xxx	Réglage du masque de sous-réseau : réglez le premier bloc, confirmez, réglez le deuxième bloc, confirmez.
Signal Routing	Send to XLR	Renvoi du signal de contrôle vers la sortie XLR Out
	Backup by XLR	Contrôle via XLR en cas d'interruption du signal réseau
	Receive only	Pas de connexion entre le signal réseau et les connecteurs XLR

MENU FONCTIONNEMENT AUTONOME (Stand Alone)

Dans les modes de fonctionnement autonomes "Play Scene" et "Play Loop", le signal de contrôle du mode correspondant peut être transmis aux projecteurs esclaves via la sortie XLR (Master/Alone -> Master). Si vous ne souhaitez pas renvoyer le signal de contrôle, désactivez la sortie (Master/Alone -> Alone).

Activez l'une des huit scènes disponibles (Scene 1 - 8) ou l'une des huit boucles disponibles (Loop 1 - 8). Les scènes et les boucles sont préprogrammées, mais peuvent être personnalisées (Edit Scene / Edit Loop).

En partant de l'écran principal, appuyez sur MENU pour accéder au menu principal. A l'aide des touches ▲ et ▼, sélectionnez l'élément de menu **Control** et confirmez avec la touche ENTER. Sélectionnez ensuite l'élément de menu **Stand Alone** et confirmez à nouveau.

Main Menu	
Control	
Settings	
Service	
System Info	

Control	
DMX Address	
DMX Mode	
Network	
Stand Alone	
Slave	

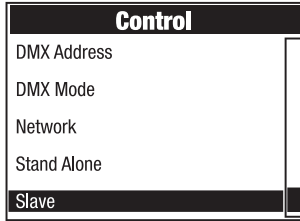
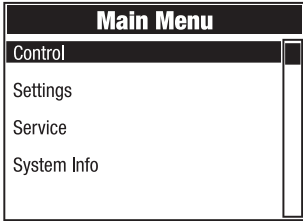
Stand Alone	
Master/Alone	
Play Scene/Loop	
Edit Scene	
Edit Loop	
Enable Full Power	

Vous trouverez dans le tableau ci-dessous des informations sur les sous-menus du menu "Stand Alone" et les options de réglage correspondantes (sélectionnez avec ▲ et ▼, confirmez avec ENTER, modifiez la valeur ou l'état avec ▲ et ▼, confirmez avec ENTER).

Modes autonomes (Stand Alone)				
Master/Alone	Master	Le signal de contrôle est renvoyé sur la sortie DMX OUT		
	Alone	Le signal de contrôle n'est pas renvoyé		
Play Scene/ Loop	Scene	Scene 1 - 8	Sélectionne et active la scène souhaitée	
	Loop	Loop 1 - 8	Sélectionne et active la boucle souhaitée	
Edit Scene	Scene 1 - 8	Pan	Réglage individuel de chaque scène. Pour activer les scènes, il suffit de les sélectionner.	
		Tilt		
		Dimmer		
		...		
Edit Loop	Loop 1 - 8	Step	1 - 8	Sélection du pas 1 - 8
		t-Step	0s - 20min	Réglage de la durée du pas
		t-Fade	0s - 20 min	Réglage de la durée de fondu (Fade)
		User Scene	1 - 8	Sélection de la scène 1-8
		Skip Step	No / Yes	Sauter le pas : No/Yes
Enable Full Power	Safety Check OK	Avant d'activer la pleine puissance, assurez-vous qu'aucune personne ne se trouve dans le faisceau lumineux (contrôle de sécurité) ! Lorsqu'un autre mode de fonctionnement est activé, la pleine puissance est automatiquement désactivée.		
	Back	N'activez PAS la pleine puissance sans avoir vérifié la sécurité ! Appuyez sur "Back" !		

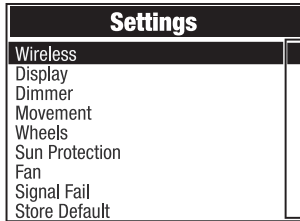
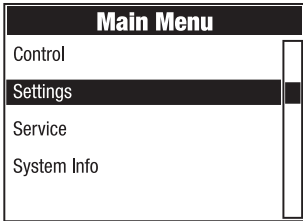
MODE ESCLAVE (Slave)

En partant de l'écran principal, appuyez sur MENU pour accéder au menu principal. A l'aide des touches ▲ et ▼, sélectionnez l'élément de menu **Control** et confirmez avec la touche ENTER. Sélectionnez ensuite l'élément de menu **Slave** et confirmez à nouveau. Activez la sortie du signal de commande dans l'appareil maître (Control -> Stand Alone -> Master/Alone -> Master). Connectez le projecteur esclave et le projecteur maître (même modèle, même version de logiciel) à l'aide d'un câble DMX ou via W-DMX® et activez le mode autonome "Play Scene" ou "Play Loop" sur le projecteur maître. Le projecteur esclave suit dès lors le projecteur maître.



PARAMÈTRES SYSTÈME (Settings)

En partant de l'écran principal, appuyez sur MENU pour accéder au menu principal. Sélectionnez Settings à l'aide de ▲ et ▼ et confirmez avec ENTER.



Vous trouverez dans le tableau ci-dessous des informations sur les sous-menus du menu "Settings" et les options de réglage correspondantes (sélectionnez avec ▲ et ▼, confirmez avec ENTER, modifiez la valeur ou l'état avec ▲ et ▼, confirmez avec ENTER).

Réglages (en gras = valeur d'usine)				
Wireless	Paramètres sans fil	State	On	Module Wireless DMX activé
			Off	Module Wireless DMX désactivé
		Operating Mode	RX	Module Wireless DMX = récepteur
			TX CRMX	Module sans fil = émetteur avec émetteur standard CRMX
			TX G3	Module sans fil = émetteur avec émetteur standard G3
			TX G4s	Module sans fil = émetteur avec émetteur standard G4s
		Linking	Unlink	Désactive les connexions DMX sans fil et met le projecteur en mode d'attente d'appairage

Wireless	Paramètres sans fil	Linking	Link/Force to pair	Appairage avec des appareils sans fil compatibles et prêts à être appairés		
		Linking Key	Linking Key	Réglage de la clé de connexion		
			CRMX Mode (disponible uniquement en mode de fonctionnement RX)	CRMX	Récepteur standard = CRMX	
				CRMX2	Récepteur standard = CRMX2	
		Universe Metadata	CRMX Universe	A - H	Sélection de l'univers CRMX A à H	
			RGB Colour Code	Red, Orange, Yellow, Green, Cyan, Blue, Purple, White	Code RGB pour l'affichage des couleurs de l'univers	
		Bluetooth	Universe Name	Chaîne de 16 caractères avec un nom personnalisable identifiant l'univers		
			State	On	Bluetooth activé	
				Off	Bluetooth désactivé	
		Signal Routing	Pin	On	Demande de code PIN activée (réglage d'usine 081569)	
	Off			Demande de code PIN désactivée		
	Send to XLR			Transmission du signal de contrôle vers la sortie XLR (DMX OUT)		
	Display	Paramètres de l'écran	Reverse	Backup by XLR	Contrôle via XLR (DMX IN) en cas d'interruption du signal sans fil	
Receive only				Pas de connexion entre le signal W-DMX® et les connecteurs XLR		
Off Timer	Always On			Allumé en permanence		
	Off after 20s		Désactivation après environ 20 secondes d'inactivité			

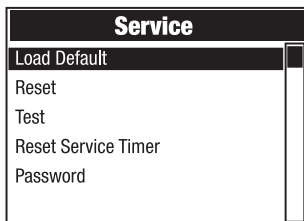
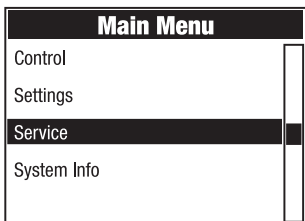
Display	Paramètres de l'écran	Autolock	On after 60s	Les contrôles sont verrouillés après environ 60 secondes sans saisie (LOCKED). Pour déverrouiller : appuyez simultanément sur les touches UP et DOWN pendant environ 5 secondes
			Off	Fonction Autolock désactivée
Dimmer	Réglages du variateur	Curve	Linear	L'intensité lumineuse augmente linéairement avec la valeur DMX
			Exponential	L'intensité lumineuse varie finement pour les valeurs DMX basses, et plus grossièrement pour les valeurs DMX élevées
			Logarithmic	L'intensité lumineuse varie grossièrement pour les valeurs DMX basses et finement pour les valeurs DMX élevées
			S-Curve	L'intensité lumineuse varie finement pour les valeurs DMX basses et élevées, et plus grossièrement pour les valeurs DMX intermédiaires
		PWM Frequency	650 Hz, 1530 Hz, 3600 Hz, 12 kHz, 18.9 kHz, 25 kHz	Sélection de la fréquence PWM (modulation de largeur d'impulsion) des LED
		Response	Light Source	Le projecteur réagit immédiatement aux changements de la valeur DMX
Halogen	Le projecteur se comporte de la même manière qu'un projecteur halogène, avec des changements progressifs de luminosité			
Movement	Paramètres des mouvements de la lyre	Pan Reverse	On	Inversion du sens de panoramique
			Off	Pas d'inversion du sens de panoramique
		Tilt Reverse	On	Inversion du sens d'inclinaison
			Off	Pas d'inversion du sens d'inclinaison
		Pan Angle	540°	Angle panoramique 540°
			630°	Angle panoramique 630°
Position Feedback	On	Activation de la correction automatique de position		
	Off	Désactivation de la correction automatique de position		

Move- ment	Paramètres des mouve- ments de la lyre	Move in Black	On	Noir (blackout) lorsque la lyre bouge	
			Off	Pas de noir lorsque la lyre bouge	
		Silent Movement	On	Ralentissement des mouvements du moteur pour un fonctionnement plus silencieux	
			Off	Fonction désactivée	
Wheels	Réglages des gobos et de la roue chromatique	Gobo Wheel	Position	Clockwise	La roue de gobos tourne toujours dans le sens des aiguilles d'une montre
				Shortest Way	La roue de gobos tourne sur la distance la plus courte
			Movement	Snap	La roue de gobos revient directement au gobo souhaité lorsque la valeur correspondante est atteinte
				Scroll	Rotation continue des roues de gobos
		Color Wheel	Position	Clockwise	La roue de gobos tourne toujours dans le sens des aiguilles d'une montre
				Shortest Way	La roue de gobos tourne sur la distance la plus courte
			Movement	Snap	La roue de couleurs revient directement au filtre de couleur souhaité lorsque la valeur correspondante est atteinte
				Scroll	Rotation continue des roues de couleurs
		Move in Black	On	Blackout en cas de changement de valeur des roues de couleurs et de gobos	
			Off	Pas de blackout en cas de changement de valeur des roues de couleurs et de gobos	

Sun Protection	Fonction de protection des composants internes	On	Activation de l'occultation et orientation de la tête de l'appareil vers le bas
		Off	Fonction désactivée
Fan	Réglage du ventilateur	Auto	Contrôle automatique du ventilateur
		Off	Ventilateur désactivé et luminosité fortement réduite
		Constant Low	Vitesse du ventilateur constante et faible, luminosité réduite si nécessaire
		Constant Mid	Vitesse constante et moyenne du ventilateur, luminosité réduite si nécessaire
		Constant High	Vitesse constante et élevée du ventilateur
Signal Fail	Choix du comportement en cas de défaillance du signal DMX	Hold	Maintien de la dernière commande reçue
		Last Stand Alone	Le dernier mode de fonctionnement autonome sélectionné est activé
		Fade to Black (10s)	Fondu au noir de 10 secondes
		Blackout	Active le noir (blackout)
		Sun Protection	Activation du noir (blackout) et orientation de la tête de l'appareil vers le bas
Store Default	Sauvegarde des paramètres dans 3 pré-réglages personnalisés	User A	Sauvegarde de tous les réglages actuels en tant que pré-réglage utilisateur A
		User B	Sauvegarde de tous les réglages actuels en tant que pré-réglage utilisateur B
		User C	Sauvegarde de tous les réglages actuels en tant que pré-réglage utilisateur C

MENU SERVICE (Service)

En partant de l'écran principal, appuyez sur MENU pour accéder au menu principal. Sélectionnez Service à l'aide de ▲ et ▼ et confirmez avec ENTER.



Vous trouverez dans le tableau ci-dessous des informations sur les sous-menus du menu "Service" et les options de réglage correspondantes (sélectionnez avec ▲ et ▼, confirmez avec ENTER, modifiez la valeur ou l'état avec ▲ et ▼, confirmez avec ENTER).

Service		
Load Default	Factory Default	Rétablir les réglages d'usine
	User A	Rétablir les valeurs du preset utilisateur A (pour sauvegarder les valeurs de l'utilisateur : Settings -> Store Default)
	User B	Rétablir les valeurs du preset utilisateur B (pour sauvegarder les valeurs de l'utilisateur : Settings -> Store Default)
	User C	Rétablir les valeurs du preset utilisateur C (pour sauvegarder les valeurs de l'utilisateur : Settings -> Store Default)
Reset	Pan/Tilt	Réinitialisation des moteurs de panoramique et d'inclinaison
	Head	Réinitialisation des moteurs de la lyre
	All	Réinitialisation de tous les moteurs
Test	Test Sequence	Séquence préprogrammée pour tester tous les composants
	Stress Test	Séquence préprogrammée pour tester tous les composants sous charge maximale
	Motor Test	Activation individuelle de tous les moteurs avec des valeurs de 000 à 255
Reset Service Timer	No	Pas de réinitialisation de la valeur de la durée de fonctionnement
	Yes	Réinitialisation de la valeur de la durée de fonctionnement
Password	Pour technicien de service uniquement	

INFORMATIONS SYSTÈME (System Info)

En partant de l'écran principal, appuyez sur MENU pour accéder au menu principal. Sélectionnez System Info à l'aide de ▲ et ▼ et confirmez avec ENTER.

Main Menu	
Control	
Settings	
Service	
System Info	

System Info	
Firmware	
Wireless	
Temperature	
Fan Speed	
Runtime	
MAC Address	
RDM UID	
DMX Values	
Error Info	
DMX Table	

Vous trouverez dans le tableau ci-dessous des informations sur les sous-menus du menu "System Info" et les options de réglage correspondantes (sélectionnez avec ▲ et ▼, confirmez avec ENTER).

System info			
Firmware	DISP	Vx.x.x	Affichage de la version du micrologiciel de l'appareil
	CTR1-Motor	Vx.x.x	
	...	Vx.x.x	
Wireless	Module	TimoTwo	Modèle de module Wireless DMX
	Device Name	CLORONH2-xxxx	Nom de l'appareil
	Version	HW (Hardware) SW (Software)	Numéro de version du matériel Numéro de version du logiciel
	Link Quality	%	Qualité de la connexion en pourcentage
	Data Source	None / DMX / Wireless Link / SPI / BLE	Informations sur la source des données
Wireless	Status	Operational: DMX Data: RDM Identify: RF Link: Link State:	Informations sur le statut
Temperature	Light Source	xxx °C/°F	Affichage de la température du composant correspondant
	Base	xxx °C/°F	
	Temperature Unit	°C °F	Réglage de l'unité de température (appuyez sur ENTER pour modifier)
Fan Speed	xxxx RPM	Affichage de la vitesse du ventilateur correspondant	
Runtime	Total	xxxx h : xx m	Durée totale de fonctionnement
	Operation	xxxx h : xx m	Durée d'utilisation
	Light Source	xxxx h : xx m	Durée de fonctionnement de la lampe/LED
	Service	xxxx h : xx m	Temps de fonctionnement depuis la dernière réinitialisation de la durée de fonctionnement

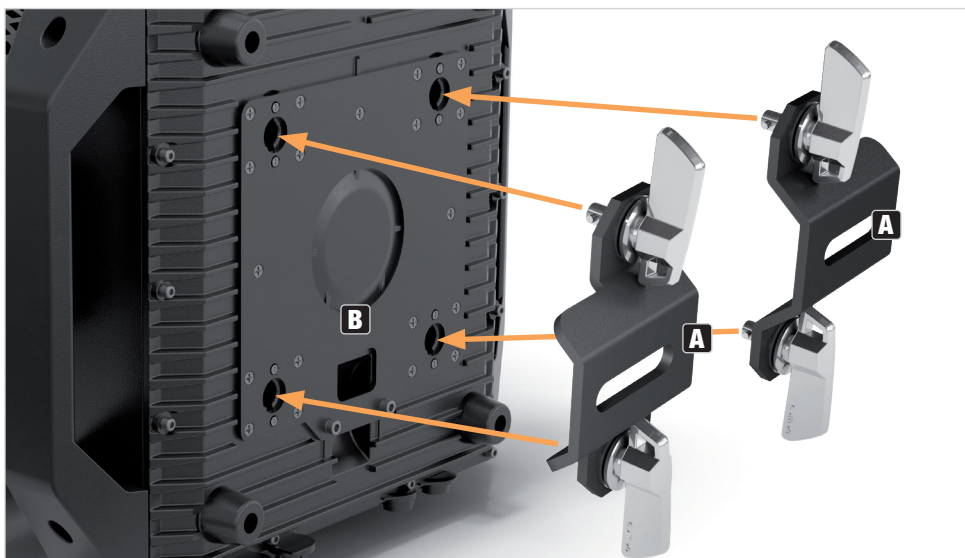
MAC Address	xx:xx:xx:xx:xx:xx	Adresse MAC
RDM UID	Identifiant unique en mode RDM	
DMX Values	Affichage des valeurs DMX présentes	
Error Info	Affichage des erreurs en cas de dysfonctionnement	
DMX Table	Affichage des tableaux des modes DMX	

MONTAGE ET INSTALLATION



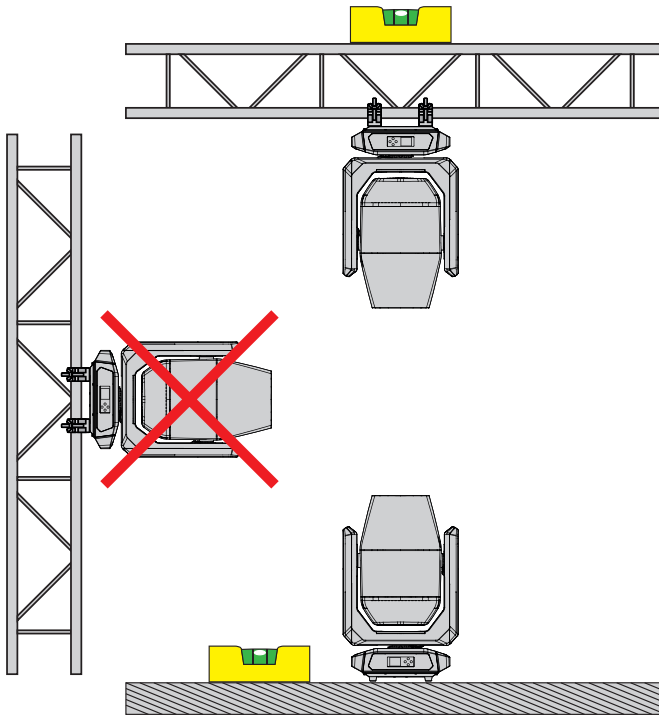
DANGER : Le montage au plafond nécessite une grande expérience, notamment pour calculer les valeurs limites de charge du matériel d'installation et vérifier régulièrement la sécurité de tous les matériaux d'installation et des projecteurs. Si vous ne possédez pas ces qualifications, n'essayez pas d'effectuer l'installation vous-même. Adressez-vous plutôt à un professionnel qualifié. Des appareils mal montés et mal sécurisés risquent de se détacher et de tomber. Cela peut entraîner des blessures graves, voire mortelles.

Grâce à ses pieds en caoutchouc intégrés, le projecteur peut être placé à un endroit approprié sur une surface plane. Il peut être monté sur une structure métallique à l'aide de deux supports en oméga, qui sont fixés à la base du projecteur (A). Le carton d'emballage contient deux supports en oméga. Des pinces pour structure adaptées sont disponibles en option. Vérifiez que le montage est solide, puis sécurisez le projecteur via la languette de fixation (B) à l'aide d'un câble de sécurité approprié.





POSITION D'UTILISATION



ENTRETIEN, MAINTENANCE ET RÉPARATION

Afin de garantir son bon fonctionnement à long terme, l'appareil doit être régulièrement nettoyé et, si nécessaire, passer en maintenance. Le besoin d'entretien et de maintenance dépend de l'intensité de l'utilisation et de l'environnement dans lequel l'appareil est utilisé. Nous vous recommandons de procéder à une inspection visuelle avant chaque utilisation. En outre, nous recommandons d'effectuer toutes les mesures de maintenance applicables spécifiées ci-dessous une fois toutes les 500 heures de fonctionnement ou, en cas d'intensité d'utilisation moindre, au plus tard après un an. Les réclamations au titre de la garantie peuvent être limitées en cas de défauts résultant d'un entretien inadéquat.



AVERTISSEMENT Avant d'effectuer toute opération d'entretien ou de maintenance, il faut débrancher l'alimentation électrique et, si possible, toutes les connexions de l'appareil.



REMARQUE : Un entretien inadéquat peut entraîner une dégradation de l'appareil pouvant aller jusqu'à sa destruction.

1. Les surfaces du boîtier doivent être nettoyées avec un chiffon propre et humide. Veillez à éviter toute infiltration d'humidité dans l'appareil.
2. Les entrées et sorties d'air doivent être régulièrement débarrassées de la poussière et des saletés. Si vous utilisez de l'air comprimé, veillez à ne pas endommager l'appareil (dans ce cas, il faut bloquer les ventilateurs avant d'envoyer l'air comprimé).
3. Les câbles et les contacts des connecteurs doivent être nettoyés régulièrement et la poussière et la saleté doivent être éliminées.
4. De façon générale, n'utilisez aucun produit de nettoyage agressif ou substance abrasive, sous peine d'endommager la finition de surface de l'appareil.
5. Les appareils doivent être stockés dans un environnement sec et protégés de la poussière et de la saleté.
6. Toutes les lentilles accessibles ou amovibles et les ouvertures émettant de la lumière doivent être nettoyées régulièrement pour garantir un fonctionnement correct et sûr.

MAINTENANCE ET RÉPARATION (uniquement par du personnel qualifié)



DANGER ! L'appareil contient des composants sous tension. Même après avoir débranché la fiche de la prise secteur, il peut subsister une tension résiduelle dans l'appareil, par exemple en raison de condensateurs chargés.



À NOTER Les travaux d'entretien et de réparation ne peuvent être effectués que par du personnel spécialisé suffisamment qualifié. En cas de doute, adressez-vous à un atelier spécialisé.



À NOTER Les travaux de maintenance effectués de façon non conforme peuvent affecter les demandes de garantie.



À NOTER Pour les kits ou accessoires de conversion ou d'adaptation fournis par le fabricant, il est essentiel de respecter les instructions fournies.

DIMENSIONS (mm)

ENGLISH

DEUTSCH

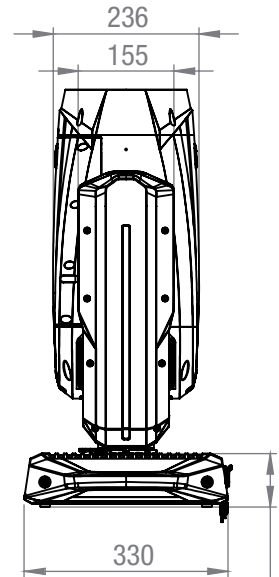
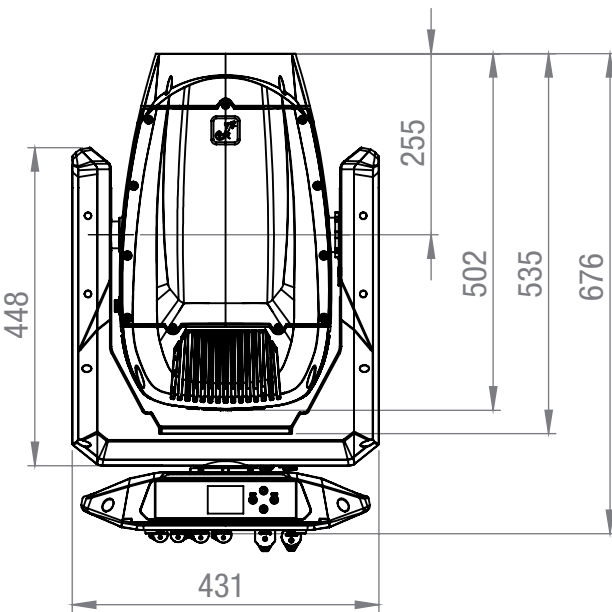
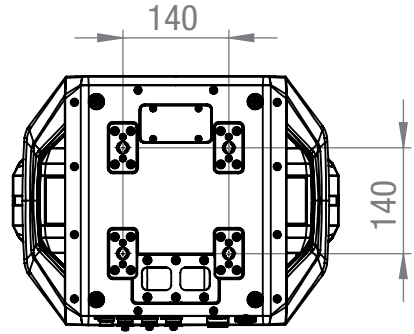
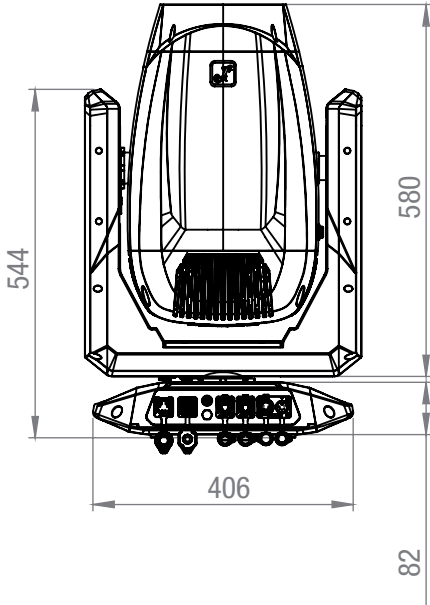
FRANCAIS

ESPAÑOL

POLSKI

ITALIANO

DMX



CARACTÉRISTIQUES TECHNIQUES

Référence :	CLORONH2
Type de produit :	LYRE ASSERVIE À LASER PHOSPHORE IP65
Type :	Lyre asservie
Nombre de sources lumineuses :	1
Type de source lumineuse :	Moteur à phosphore laser, puissance 260 W
Durée de vie minimale de la source lumineuse (L70) :	> 12 000 heures (Durée de vie définie comme le temps écoulé jusqu'à 70 %/L70)
Température de couleur (source lumineuse) :	8 000 K
Température de couleur (sortie) :	6 500 K
Mélange de couleurs :	CMY + CTO
Roue CTO :	3000 K - 6500 K
IRC :	68 (natif) >85 avec un filtre CRI élevé
Roue de couleurs :	19 + positionnement ouvert et continu
Roue de gobos fixes :	19 fixes + 1 ouverte
Roue de gobos rotative	12 rotatives + 1 ouverte
Effets :	2 niveaux de prismes (chevauchement) avec 7 effets (1ère couche : 5 prismes ; 2e couche : 1 prisme, ovalisateur + 3 filtres Frost (léger/moyen/lourd)
Angle du faisceau :	0,6° - 32°
Angle de panoramique :	Réglable : 630° / 540°
Angle d'inclinaison :	270°
Entrée DMX :	XLR 5 points, mâle, IP65
Sortie DMX :	XLR 5 points, femelle, IP65
Modes DMX :	24-CH de base, 27-CH standard, 33-CH étendu
Fonctions DMX :	Pan/tilt, pan/tilt fin, dimmer, dimmer fin, strobo, cyan, cyan fin, magenta, magenta fin, jaune, jaune fin, CTO linéaire, roue de couleurs, roue de gobos fixes, roue de gobos rotatifs, zoom, zoom fin, focus, focus fin, prisme, rotation du prisme, Frost, roue d'animation
Fonctions autonomes :	Lecture d'une scène ; lecture d'une boucle

ENGLISH

DEUTSCH

FRANCAIS

ESPAÑOL

POLSKI

ITALIANO

DMX

Paramètres de l'appareil :	Retournement de l'écran, activation/désactivation du rétroéclairage de l'écran, erreur de signal, inversion du panoramique, inversion de l'inclinaison, retour d'information, déplacement en noir, test, réinitialisation, valeurs utilisateur par défaut, fonctions de blackout, défilement/interruption de la roue de couleurs/de gobos, verrouillage automatique, vitesse du panoramique/d'inclinaison, défaut de la lampe, modes de ventilateur, protection solaire, mode veille
PWM :	650 Hz / 1 530 Hz / 3 600 Hz / 12 kHz / 18,9 kHz / 25 kHz
Courbes de gradateur	Linéaire / exponentielle / logarithmique / courbe en S
Stroboscope :	1 Hz - 20 Hz
Contrôle :	DMX, RDM, Art-Net, sACN, WDMX/CRMX
Éléments de contrôle :	Navigation à 4 boutons (MENU / ENTER / UP / DOWN)
Affichage :	Écran TFT 2" rétro-éclairé
Tension secteur :	100 à 240 V / 50/60 Hz
Courant d'appel :	13 A / 1 ms sous 230 V (première alternance)
Classe de protection :	1
Protection contre les surtensions :	>6000 V
Fusible :	6,3 A / 250 V
Consommation électrique :	460 W
Intensité lumineuse	330 000 lx à 20 m pour un angle de 0,6°
Connecteur d'alimentation :	Entrée et sortie sur Seetronic IP65
Indice IP :	IP65
Température ambiante (en fonctionnement) :	-20°C à 40°C
Matériau du boîtier :	Magnalium
Couleur du boîtier :	Noir
Refroidissement :	Ventilateur thermocontrôlé
Distance minimale par rapport à la surface éclairée :	25 m
Distance minimale par rapport aux matériaux inflammables ordinaires :	0,1 m
Groupe de risque	RG3

Distance de danger	∞ , Ne jamais diriger le faisceau vers des personnes
Diamètre de la lentille	178 mm
Dimensions (L x H x P) :	Voir le graphique
Masse :	32 kg
Autres caractéristiques :	Livré avec câble secteur de 1 m avec connecteur Seetronic IP65 et 2 supports de montage Omega (CLOMEGABRACKET5)
Accessoires (en option) :	Insert SIP en mousse EPP

EXPLICATION DE LA CLASSE DE PROTECTION IP

1. Un indice IP décrit uniquement la protection contre les objets solides et l'eau. Il ne décrit pas la résistance générale aux intempéries, comme la protection contre les rayons UV et les influences thermiques, etc.
2. Le premier chiffre de l'indice correspond à la protection contre la poussière, les objets solides et le contact :

IP2X	Protégé contre les corps étrangers solides $\geq 12,5$ mm de diamètre
IP3X	Protégé contre les corps étrangers solides $\geq 2,5$ mm de diamètre
IP4X	Protégé contre les corps étrangers solides $\geq 1,0$ mm de diamètre
IP5X	Protégé contre la poussière en quantités dangereuses et complètement protégé contre le contact
IP6X	Étanche à la poussière et complètement protégé contre le contact

3. Le deuxième chiffre indique la protection contre l'eau :

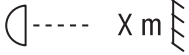
IPX0	Pas de protection
IPX1	Protection contre les gouttes d'eau
IPX2	Protection contre les gouttes d'eau lorsque l'appareil est incliné jusqu'à 15°
IPX3	Protection contre la chute d'eau pulvérisée jusqu'à 60° par rapport à la verticale
IPX4	Protection contre les projections d'eau sur tous les côtés
IPX5	Protection contre les jets d'eau (émis par une buse) sous tous les angles
IPX6	Protection contre les jets d'eau puissants
IPX7	Protection contre l'immersion temporaire

4. En outre, certaines mesures spécifiques à l'appareil, telles que couvercles et capuchons d'étanchéité, sont nécessaires pour atteindre la classe de protection spécifiée (par exemple, placer des capuchons de protection sur les connecteurs inutilisés).



L'indice IP du produit figure dans les caractéristiques techniques et il est imprimé sur l'appareil.

DISTANCE MINIMALE PAR RAPPORT À LA SURFACE ÉCLAIRÉE



Ce pictogramme, accompagné de la distance en mètres (m), indique la distance minimale entre le projecteur et la surface éclairée. Pour connaître la valeur applicable à ce projecteur, veuillez vous référer aux spécifications techniques de ce manuel et aux indications figurant sur l'appareil.

DISTANCE MINIMALE PAR RAPPORT AUX MATÉRIAUX INFLAMMABLES ORDINAIRES



Ce pictogramme, accompagné de la distance en mètres (m) indique la distance minimale de l'appareil par rapport aux matériaux inflammables ordinaires. Pour connaître la valeur applicable à ce projecteur, veuillez vous référer aux spécifications techniques de ce manuel et aux indications figurant sur l'appareil.

MISE AU REBUT



EMBALLAGE :

1. Les emballages peuvent être recyclés selon les méthodes d'élimination habituelles.
2. Veuillez à trier les matériaux d'emballage conformément aux lois sur la mise au rebut et aux réglementations sur le recyclage en vigueur dans votre pays.



APPAREIL :

1. Cet appareil relève de la directive européenne sur les déchets d'équipements électriques et électroniques, telle que modifiée. Directive DEEE relative aux déchets d'équipements électriques et électroniques. Les appareils en fin de vie ne font pas partie des ordures ménagères. L'appareil en fin de vie doit être éliminé par une entreprise d'élimination des déchets agréée ou un centre d'élimination dans une déchetterie municipale. Veuillez à respecter les réglementations en vigueur dans votre pays.
2. Respectez toutes les lois relatives à l'élimination des déchets en vigueur dans votre pays.
3. En tant que particulier, vous pouvez obtenir des informations sur les possibilités d'élimination respectueuse de l'environnement auprès du vendeur du produit ou des autorités régionales compétentes.

DÉCLARATIONS DU FABRICANT

Garantie et limitation de responsabilité du fabricant

Adam Hall GmbH | Adam-Hall-Str. 1 | 61267 Neu-Anspach | Allemagne

Courriel : Info@adamhall.com / +49 (0)6081 9419-0

Nos conditions de garantie et notre limitation de responsabilité actuelles peuvent être consultées en ligne à l'adresse suivante :

https://cdn-shop.adamhall.com/media/pdf/Manufacturers-Declarations-CAMEO_DE_EN_ES_FR.pdf

En cas de recours au service après-vente, veuillez contacter votre distributeur.

Conformité CE

Adam Hall GmbH confirme par la présente que ce produit est conforme aux directives suivantes (le cas échéant) :

Directive basse tension (2014/35/UE)

Directive CEM (2014/30/UE)

RoHS (2011/65/EU)

RED (2014/53/EU)

Déclaration de conformité CE

Les déclarations de conformité pour les produits soumis aux directives LVD, EMC, RoHS peuvent être demandées à info@adamhall.com

Les déclarations de conformité des produits soumis à la directive RED peuvent être téléchargées sur www.adamhall.com/compliance/

Sous réserve de fautes d'impression ou d'erreurs, ainsi que de modifications techniques ou autres.

HA TOMADO LA DECISIÓN CORRECTA.

Este aparato ha sido desarrollado y fabricado siguiendo las normas de calidad más exigentes para garantizarle muchos años de funcionamiento sin problemas. Lea atentamente este manual de usuario para poder utilizar su nuevo producto Cameo Light de forma rápida y óptima. Encontrará más información sobre Cameo Light en nuestra página web **CAMEOLIGHT.COM**

INFORMACIÓN SOBRE ESTE MANUAL DE USUARIO

- Lea atentamente las instrucciones de seguridad y todo el manual antes de utilizar el equipo.
- Respete los indicadores de advertencia que aparecen en el equipo y en las instrucciones de uso.
- Tenga siempre a mano el manual de usuario.
- Si vende o cede el aparato, es importante que incluya también este manual de usuario, ya que forma parte integrante del producto.

USO PREVISTO

¡Este producto es un equipo para eventos!

Este producto ha sido desarrollado para su uso profesional en el ámbito de la tecnología de eventos y no es apto para su uso como iluminación en el hogar ni en zonas residenciales.

¡El equipo no debe utilizarse para iluminar a las personas!

Es responsabilidad del operador asegurarse de que ninguna persona quede expuesta al haz de luz o a sus reflejos.

¡Funcionamiento temporal! ¡El equipo para eventos está diseñado únicamente para un uso temporal y no está pensado para un uso continuado ni para una instalación permanente! Además, este producto está destinado únicamente a usuarios cualificados con conocimientos especializados en eventos.

Cualquier uso de este producto que no tenga en cuenta las características técnicas y las condiciones de funcionamiento especificadas se considera un uso inadecuado.

El uso inadecuado de este producto exime de toda responsabilidad por daños personales y materiales, incluso de terceros.

El producto no es adecuado para:

- Niños (debe advertirse a los niños que no jueguen con el aparato).
- Personas con capacidades físicas, sensoriales o mentales reducidas o con falta de experiencia y conocimientos.

EXPLICACIONES DE TÉRMINOS Y SÍMBOLOS

1. **PELIGRO:** La palabra PELIGRO, posiblemente en combinación con un símbolo, indica una situación o condición inminentemente peligrosa para la vida y la integridad física.
2. **ADVERTENCIA:** La palabra ADVERTENCIA, posiblemente en combinación con un símbolo, indica una situación o condición potencialmente peligrosa para la vida y la integridad física.
3. **PRECAUCIÓN:** La palabra PRECAUCIÓN, posiblemente en combinación con un símbolo, indica situaciones o condiciones que pueden provocar lesiones.

4. **ATENCIÓN:** La palabra ATENCIÓN, posiblemente en combinación con un símbolo, indica situaciones o condiciones que pueden provocar daños a la propiedad y/o al medioambiente.



Este símbolo indica peligro de descarga eléctrica.



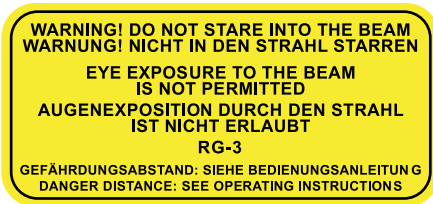
Este símbolo indica las zonas o situaciones peligrosas.



Este símbolo indica peligro por superficie a alta temperatura.



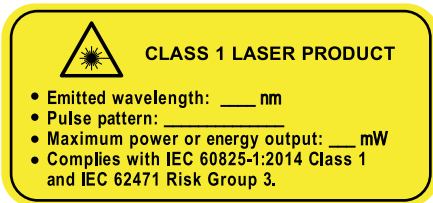
Este símbolo indica que debe evitarse mirar o fijar la vista en la fuente de luz.



Este símbolo indica que las fuentes de luz intensa clasificadas en el grupo de riesgo 3 pueden provocar lesiones cutáneas u oculares.



Este símbolo indica la dirección en la que se emite luz potencialmente peligrosa de la salida de luz.



Este símbolo indica que el producto es un equipo del grupo de riesgo 3 que cumple las normas IEC 62471 e IEC 60825-01:2014.



Este símbolo indica un riesgo de aplastamiento.



Este símbolo indica fuentes de luz intensas.



Este símbolo indica que el producto no tiene piezas reparables. Sólo el personal autorizado puede realizar trabajos de mantenimiento o servicio.



Este símbolo indica información adicional sobre el funcionamiento del equipo.



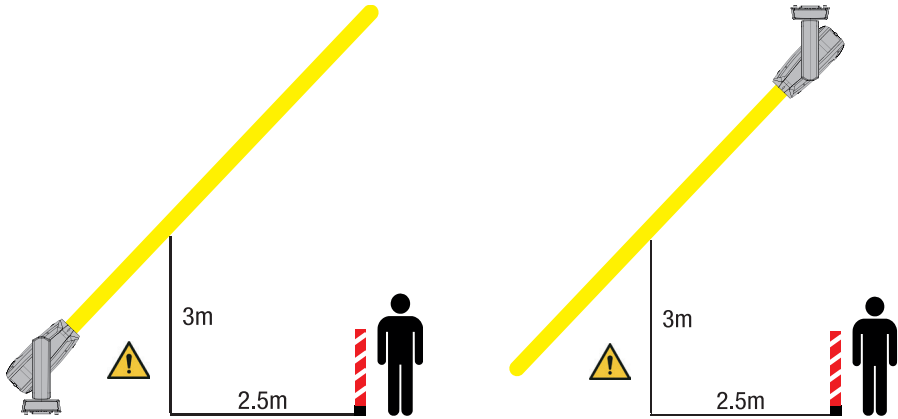
ZONA DE PELIGRO

Para los equipos pertenecientes al grupo de riesgo 3, la zona de peligro se refiere al área en la que la radiación óptica representa un riesgo elevado para la salud. Esta zona está identificada con un símbolo de advertencia como se indica en la siguiente figura.

Radiación óptica

Riesgo de lesiones oculares graves o de ceguera

1. Asegúrese de que hay una distancia horizontal mínima de 2,5 metros y una distancia vertical de al menos 3 metros a la zona de peligro.
2. Asegúrese de que nadie pueda entrar en la zona de peligro. La zona de peligro debe acordonarse con barreras.



INSTRUCCIONES DE SEGURIDAD



¡ADVERTENCIA! Radiación óptica

Riesgo de lesiones oculares graves o de ceguera

1. El equipo está destinado exclusivamente a efectos de iluminación en el aire.
2. No utilice el equipo para iluminar a personas. No es adecuado para zonas residenciales.
3. Es responsabilidad del operador asegurarse de que ninguna persona quede expuesta al haz de luz o a sus reflejos.

**PELIGRO:**

1. No abra el equipo ni intente modificarlo.
2. Si el equipo deja de funcionar correctamente, si han entrado líquidos u objetos en el interior del equipo o si este ha sufrido algún otro desperfecto, apáguelo inmediatamente y desconéctelo de la corriente eléctrica. Este equipo solo puede ser reparado por técnicos autorizados.
3. Para los equipos de la clase de protección 1, el conductor de protección debe estar conectado correctamente. No desconecte nunca el conductor de protección. Los equipos de la clase de protección 2 no tienen conductor de protección a tierra.
4. Asegúrese de que los cables con tensión no estén doblados ni dañados mecánicamente de alguna forma.
5. No puentee nunca el fusible del equipo.

**ADVERTENCIA:**

1. El equipo no debe ponerse en funcionamiento si presenta daños evidentes.
2. El equipo solo debe instalarse cuando esté desenchufado de la corriente eléctrica.
3. Si el cable eléctrico está dañado, no ponga en funcionamiento el equipo.
4. Los cables eléctricos fijos solo deben ser sustituidos por una persona cualificada.

**ATENCIÓN:**

1. Si el equipo ha estado expuesto a un cambio brusco de temperatura (por ejemplo, después del transporte), no lo encienda inmediatamente. La condensación o la humedad podrían dañar el equipo. No encienda el equipo hasta que haya alcanzado la temperatura ambiente.
2. Asegúrese de que la tensión y la frecuencia de la red eléctrica coinciden con los valores indicados en el equipo. Si el equipo dispone de un selector de tensión, antes de enchufarlo a la red eléctrica, asegúrese de que el valor seleccionado es correcto. Utilice solo cables eléctricos adecuados.
3. Para desconectar completamente el equipo de la red eléctrica, no es suficiente con pulsar el interruptor de encendido/apagado del equipo.
4. Asegúrese de que el fusible utilizado corresponde al tipo especificado en el equipo.
5. Asegúrese de que se han tomado las medidas necesarias contra las sobretensiones (por ejemplo, si cae un rayo).
6. Respete la corriente de salida máxima especificada en los equipos con salida eléctrica en paralelo. Asegúrese de que el consumo total de corriente de todos los equipos conectados no supera el valor especificado.
7. Sustituya los cables eléctricos solo por otros cables originales.

**PELIGRO:**

1. ¡Peligro de asfixia! Las bolsas de plástico y las piezas pequeñas deben mantenerse fuera del alcance de las personas (incluidos los niños) con capacidades físicas, sensoriales o mentales reducidas.
2. ¡Peligro por caída del equipo! Asegúrese de que el equipo está bien instalado y no se puede caer. Utilice únicamente soportes y anclajes adecuados (especialmente en instalaciones fijas). Asegúrese de que los accesorios están correctamente instalados y bien fijados. Asegúrese de que se cumplen las normas de seguridad pertinentes.

**ADVERTENCIA:**

1. Utilice el equipo únicamente según la finalidad prevista.
2. Utilice solo los accesorios recomendados por el fabricante para el equipo.
3. Durante la instalación, respete las normas de seguridad de su país.
4. Después de conectar el equipo, compruebe todas las tiradas de cable para evitar daños o accidentes, por ejemplo, por riesgo de tropiezo.
5. ¡Es esencial respetar la distancia mínima especificada a los materiales normalmente inflamables! Si no se indica explícitamente, la distancia mínima es de 0,3 m.
6. Respete siempre la distancia mínima a la superficie iluminada que está indicada en el equipo.

**PRECAUCIÓN:**

1. En el caso de los componentes móviles, como los soportes de montaje, existe la posibilidad de que se atasquen.
2. En el caso de los equipos con componentes accionados por motor, existe riesgo de lesiones por el movimiento del equipo. Un movimiento brusco del aparato puede provocar lesiones por impacto.
3. La superficie exterior del equipo puede calentarse mucho durante el funcionamiento regular. Asegúrese de que no sea posible tocar accidentalmente la carcasa. Deje siempre que el equipo se enfríe lo suficiente antes de desmontarlo, realizar trabajos de mantenimiento, recarga, etc.

**ATENCIÓN:**

1. No instale ni opere el equipo cerca de radiadores, salidas de calefacción, estufas u otras fuentes de calor. Asegúrese siempre de que el equipo está instalado de forma que esté suficientemente refrigerado y no pueda sobrecalentarse.
2. No coloque ninguna fuente de llama desprotegida, como una vela encendida, cerca del equipo.
3. Las rejillas de ventilación no deben estar cubiertas; los ventiladores no deben estar bloqueados.
4. Utilice el embalaje original u otro embalaje suministrado por el fabricante para el transporte.
5. Evite los golpes o impactos en el equipo.



6. Respete la clase de protección IP, así como las condiciones ambientales, como la temperatura y la humedad, de acuerdo con las especificaciones.
7. Los equipos pueden perfeccionarse constantemente. En caso de que la información sobre las condiciones de funcionamiento, el rendimiento u otras propiedades del aparato especificada en el manual del usuario difiera de la información del etiquetado del aparato, siempre tendrá prioridad la información del aparato.
8. El equipo no es adecuado para climas tropicales ni para funcionar a más de 2.000 m sobre el nivel del mar.
9. A menos que se indique explícitamente, el equipo no es adecuado para su uso en entornos marinos.

¡PRECAUCIÓN!

INFORMACIÓN IMPORTANTE SOBRE LOS PRODUCTOS DE ILUMINACIÓN



1. Este equipo pertenece al grupo de riesgo 3. ¡Riesgo de lesiones cutáneas y oculares graves! No mire nunca a la fuente luminosa ni al haz de luz, ¡ni siquiera por poco tiempo! No mire directamente a la lámpara utilizando instrumentos ópticos, como una lupa o unos prismáticos. No exponga la piel al haz de luz ni a sus reflejos.



2. ¡No enfoque el haz de luz sobre superficies inflamables!



3. ¡Los efectos estroboscópicos pueden provocar ataques epilépticos en individuos susceptibles!



4. Estos equipos de iluminación integran lámparas de instalación permanente. no pueden ser sustituidas por el usuario. Las lámparas de este equipo de iluminación solo pueden ser sustituidas por el fabricante, su servicio técnico o una persona con cualificación similar.



EQUIPOS DE PROTECCIÓN INDIVIDUAL

Utilice un equipo de protección adecuado cuando monte, instale y desmonte el equipo:

- Guantes de protección.
- Calzado de seguridad.
- Gafas de protección LB4 conforme a la norma EN 207 (deben llevarse siempre puestas durante el montaje).

TRANSMISIÓN DE SEÑALES DE RADIO

(COMO W-DMX® O SISTEMAS DE AUDIO POR RADIO):

La calidad y las prestaciones de las transmisiones de señales inalámbricas suelen depender de las condiciones ambientales.

Por ejemplo, los siguientes factores pueden influir en el alcance y la estabilidad de la señal:



Apantallamiento (como muros, estructuras metálicas, agua).
Saturación del espectro de radio (redes inalámbricas potentes).
Interferencias

Radiación electromagnética (videowalls LED, reguladores de intensidad de luces).
Todas las especificaciones sobre el alcance se refieren a la operación en campo libre con línea directa visual y sin interferencias.

El funcionamiento de los transmisores de radio está sujeto a la normativa oficial. Esta puede variar de una región a otra y el operador debe verificarla antes del uso (como la frecuencia de radio y la potencia de transmisión).



ADVERTENCIA: Los transmisores inalámbricos no deben utilizarse en zonas sensibles donde la radio puede provocar interferencias. Entre las zonas sensibles están:

- Hospitales, centros de salud u otros centros de atención sanitaria que prestan atención al paciente con personal y equipos especializados.
- Zonas peligrosas de clase I, II y III.
- Zonas restringidas.
- Instalaciones militares.
- Aviones y vehículos.
- Zonas en las que está prohibido el uso de teléfonos móviles.



TRANSMISIÓN POR W-DMX®

ADVERTENCIA: En general, la transmisión DMX inalámbrica no debe utilizarse en aplicaciones que impliquen factores relacionados con la seguridad que puedan provocar lesiones personales o daños materiales en caso de fallo.

Esto se aplica en particular a las estructuras móviles de escena o trusses, motores/elevadores controlados por DMX o equipos de elevación que accionan por DMX plataformas elevadoras controladas, sistemas hidráulicos o componentes móviles similares. Además, la transmisión DMX inalámbrica no debe utilizarse para controlar dispositivos de llama o pirotécnicos, efectos accionados por explosiones o efectos de gas o líquidos. Estos incluyen cañones de CO₂, lanzadores de confeti, efectos de agua o similares.

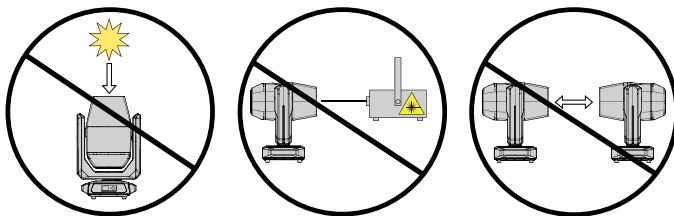


¡ATENCIÓN! POSIBLES DAÑOS POR FUENTES DE LUZ EXTERNAS

La radiación solar, la radiación láser y los haces de luz agrupados de otros focos pueden dañar la carcasa y los componentes internos, como los filtros, las ruedas de gobos y colores, los motores, los cables, las correas, ¡así como las fuentes de luz! No exponga el aparato, y en especial la abertura del objetivo, a la luz solar directa, a la radiación láser ni a los haces de luz de otros focos durante el desembalaje, la instalación, la inactividad prolongada y el funcionamiento. Cuando no utilice el equipo, dirija siempre la abertura del objetivo hacia el suelo. Para ello, también puede utilizar la función «Sun Protection», que puede activarse mediante un comando DMX (véase el canal «Device Settings» en la tabla DMX). Un sensor giroscópico integrado detecta la orientación del equipo.



Los daños causados por fuentes de luz externas quedan excluidos de la garantía del fabricante



ZONAS SIN ILUMINACIÓN

Se puede utilizar DMX para definir zonas (zona de espectadores, zona de escenario y similares) en las que se desactive automáticamente la iluminación en cuanto el haz de luz alcance dicha zona durante los giros horizontales y verticales. Solo se puede activar a la vez una de las tres zonas sin iluminación disponibles.

Establecer zonas sin iluminación:

1. Ajustes del equipo: Valor 004-005 **Enable Savings B0 Zone**.
2. Defina el cuadrado (zona sin iluminación) con **Save Position 1** a **Save Position 4** (los valores de giro horizontal y vertical establecidos para las posiciones respectivas).
3. Guardar un cuadrado definido en una zona con **Save Positions to Zone A** a **Save Positions to Zone C**.
4. Activar zona sin iluminación con **Blackout Zone A active** o **Blackout Zone B active** o **Blackout Zone C active**.

El equipo emite un breve efecto estroboscópico para confirmar que se ha guardado correctamente la posición o zona.

Una vez establecida una zona sin iluminación, ¡no debe cambiarse la posición del equipo!

Blackout Zone	000	-	005	Blackout Zone deactivated
	006	-	046	Save Position 1
	047	-	087	Save Position 2
	088	-	108	Save Position 3
	109	-	129	Save Position 4
	130	-	150	Save Positions to Zone A
	151	-	171	Save Positions to Zone B
	172	-	192	Save Positions to Zone C
	193	-	213	Blackout Zone A active
	214	-	234	Blackout Zone B active
	235	-	255	Blackout Zone C active
Device settings (hold value for 3 seconds)	000	-	003	Sin función
	004	-	005	Enable Savings B0 Zone



NOTAS SOBRE LOS DISPOSITIVOS PORTÁTILES DE EXTERIOR

1. ¡Funcionamiento temporal! Los equipos para eventos suelen estar diseñados solo para un uso temporal.
2. El funcionamiento continuo o la instalación permanente, sobre todo en el exterior, pueden deteriorar el funcionamiento, las superficies y las juntas, y acelerar la fatiga del material.
3. Los daños en el revestimiento de la superficie pueden mermar la protección anticorrosión del equipo. Los revestimientos superficiales dañados (por ejemplo, arañazos) deben repararse rápidamente con medidas adecuadas.

CONTENIDO DEL EMBALAJE

Saque el producto del envase y retire todo el material de embalaje.

Compruebe que la entrega está completa e intacta y notifique a su distribuidor inmediatamente después de la compra si la entrega no está completa o está dañada.

Contenido del embalaje del producto:

- ▶ 1 × Cabeza móvil ORON H2
- ▶ 1 × Cable eléctrico
- ▶ 2 × Soportes en omega
- ▶ Información de seguridad y conformidad (código QR para descargar el manual del usuario)

FUNCIONES DE CONTROL:

Control DMX de canales 24, 27 y 33

Funcionamiento Maestro/Esclavo

Modo Autónomo

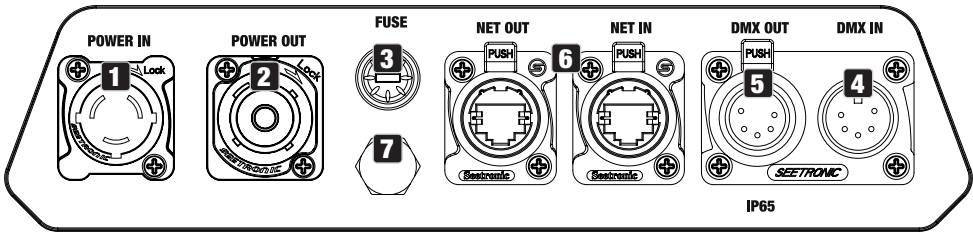
W-DMX®

CARACTERÍSTICAS:

Clase de protección IP65. Motor de fósforo láser de 260 W. DMX512. DMX inalámbrico. Art-Net y sACN. Conectores DMX de 5 pines 2 soportes de montaje en omega suministrados. Tensión operativa: 100-240 Vca.

El foco es compatible con el estándar RDM (Remote Device Management). La gestión remota de dispositivos permite consultar el estado y la configuración de los dispositivos RDM conectados mediante un controlador compatible RDM, como el Cameo UNICON, disponible como opción (ref.: CLI-REMOTE)

CONEXIONES, MANDOS E INDICADORES



1 POWER IN

Entrada de alimentación eléctrica IP65 con tapón protector de goma. Tensión operativa: 100-240 Vca, 50/60 Hz. Cable de alimentación suministrado (cuando no se utilice, cierre siempre el conector con su tapón protector de goma).

2 POWER OUT

Salida de alimentación eléctrica IP65 con tapón protector de goma. Permite la alimentación de otros focos CAMEO. Asegúrese de que el consumo total de corriente de todas las unidades conectadas no supere el valor especificado en amperios (A) en el equipo (cuando no se utilice, cierre siempre el tapón protector de goma).

3 FUSE

Portafusibles IP65 para fusibles de 5 × 20 mm. **NOTA IMPORTANTE:** Sustituya el fusible por otro del mismo tipo y valor. Vuelva a cerrar con cuidado el portafusibles para seguir manteniendo la estanquidad IP65. Si el fusible se fundiera varias veces, póngase en contacto con un servicio técnico autorizado.

4 DMX IN

XLR macho IP65 de 5 pines para conectar un controlador DMX (como una mesa DMX). Cuando no se utilice, cierre siempre el conector con su tapón protector de goma.

5 DMX OUT

XLR hembra IP65 de 5 pines para enviar la señal de control DMX (cuando no se utilice, cierre siempre el conector con su tapón protector de goma).

6 NET IN / OUT

Conectores RJ45 para la conexión a una red Art-Net o sACN y para el reenvío de la señal de control (cuando no se utilice, cierre siempre el conector con su tapón de goma). Utilice cables IP65 y cat 5e o superior para la conexión a la red.

7 ELEMENTO DE IGUALACIÓN DE PRESIONES

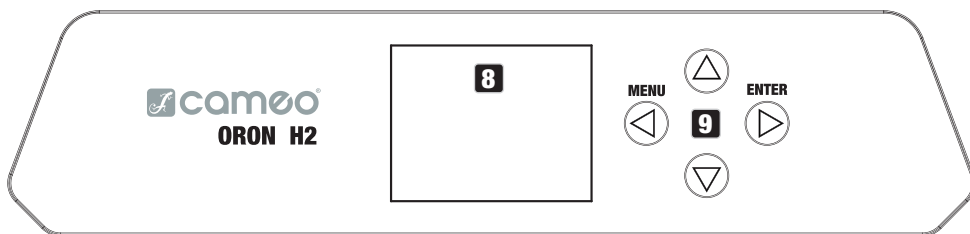
Elemento de igualación de presiones para evitar la condensación en el interior de la carcasa. Para garantizar su correcto funcionamiento, el elemento debe protegerse de la suciedad.

ANTENA

La antena para el control por DMX inalámbrico se encuentra en el interior del equipo.



ATENCIÓN: Para proteger los conectores DMX y de red de las salpicaduras de agua de acuerdo con el grado de protección IP65, deben utilizarse conectores de entrada y salida especiales con grado de protección IP65, o bien taparlos con tapones de goma. Cuando se conectan correctamente o cuando se cierran bien con los tapones protectores de goma, los conectores POWER IN y POWER OUT están protegidos de las salpicaduras de agua según la norma IP65.



8 PANTALLA LCD

La pantalla iluminada muestra el modo operativo activado actual (pantalla principal), los elementos del menú principal y de los submenús, así como el valor numérico o el estado en determinados elementos del menú. Si no hay señal de control conectada al equipo, los caracteres del centro de la pantalla parpadearán; el parpadeo se detendrá en cuanto haya una señal de control (W-DMX®, DMX y modo Esclavo).

9 PANEL DE CONTROL TÁCTIL

MENU: Pulse MENU para entrar al menú principal. Pulse de nuevo o varias veces para volver a la pantalla principal.

▲ y ▼. Utilice ▲ y ▼ para seleccionar los elementos del menú principal (como la dirección DMX o el modo operativo) y en los submenús. Cambie el valor o el estado de un elemento del menú, como la dirección DMX.

ENTER: Pulse ENTER para entrar al menú y cambiar el valor o el estado, y entrar a uno de los submenús. Confirme el cambio de valor o de estado pulsando ENTER.

NOTA:

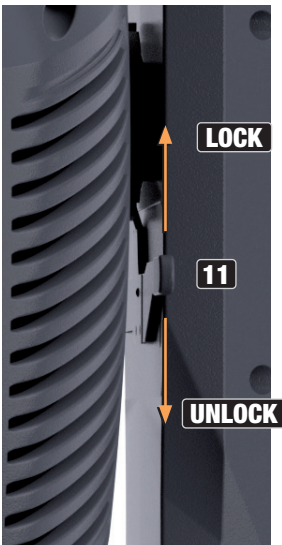
- Antes de desplazarse por el menú del equipo, asegúrese de que el panel de control está seco y limpio para que funcione correctamente.
- La humedad en el panel de control puede provocar un funcionamiento incorrecto del foco, por ejemplo, en exteriores. Por lo tanto, después de configurar el foco, active la función de bloqueo para evitar un funcionamiento incorrecto por efecto del agua (Settings > Display > Autolock). Para desactivar la función de bloqueo: Pulse a la vez UP y DOWN durante unos 5 segundos.



La pantalla alimentada a batería puede funcionar aunque el equipo esté desenchufado del suministro eléctrico. Para ello, mantenga pulsado MENU durante unos 10 segundos. Ahora podrá acceder a la información del equipo para cambiar y guardar los ajustes del sistema sin estar enchufado a la red eléctrica. En este caso, no es posible el control externo del foco. Por esta razón, la pantalla indica que no hay señal de control aunque en realidad sí haya una señal de control conectada al equipo.

**10 BLOQUEO DEL GIRO HORIZONTAL**

Mecanismo de bloqueo para evitar que la cabeza móvil gire en el plano horizontal durante el transporte (8 posiciones posibles). Desenchufe el equipo de la red eléctrica y deslice la palanca de bloqueo en el eje de giro horizontal, mueva la cabeza del equipo en horizontal hasta encontrar una de las 8 posiciones de bloqueo y que la palanca de bloqueo encaje. Desbloquee el mecanismo de bloqueo antes de poner el equipo en marcha (UNLOCK).

**11 BLOQUEO DEL GIRO VERTICAL**

Mecanismo de bloqueo para evitar que la cabeza móvil gire en el plano vertical durante el transporte (7 posiciones posibles). Desenchufe el equipo de la red eléctrica y deslice la palanca de bloqueo en el eje de giro vertical, mueva la cabeza del equipo en vertical hasta encontrar una de las 7 posiciones de bloqueo y que la palanca de bloqueo encaje (LOCK). Desbloquee el mecanismo de bloqueo antes de poner el equipo en marcha (UNLOCK).

12 ASAS EMPOTRADAS

Además de las dos asas de transporte en la base del equipo, hay unas prácticas asas empotradas en la parte superior interior de los dos brazos del equipo.



FUNCIONAMIENTO

Notas

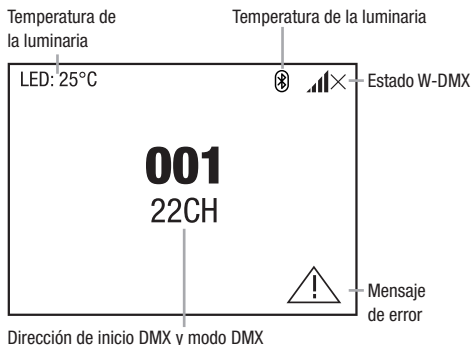
Cuando el foco está correctamente conectado a la red eléctrica, en la pantalla se mostrará «Software update ... please wait», la versión del software, «Welcome to Cameo», y «... RESET» durante el encendido del equipo y el reinicio de motores. Tras este proceso, el foco está listo para funcionar y se activa el último modo operativo que estuviera activado.

La pantalla principal se muestra de forma automática si no se realiza ninguna operación en unos 30 segundos.

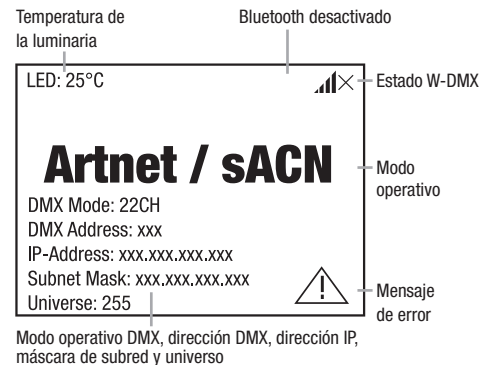
PANTALLA PRINCIPAL

En los distintos modos operativos, la pantalla principal mostrará información diferente y relevante para el modo operativo.

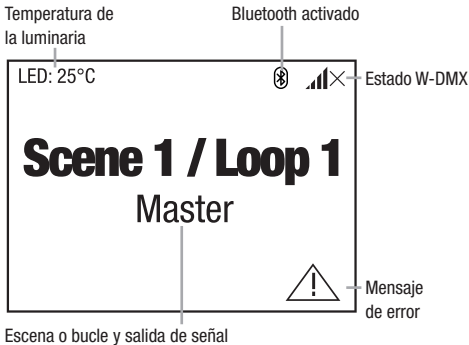
Modos operativos DMX y W-DMX®



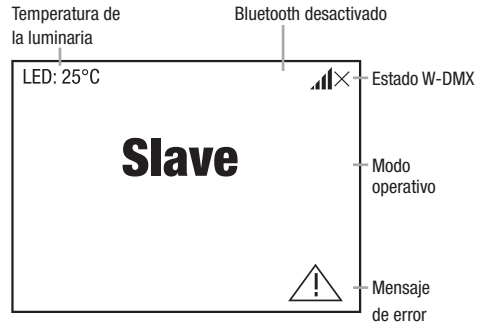
Modos operativos Art-Net y sACN



Modos operativos Autónomo



Modo operativo Esclavo



Nota sobre la pantalla principal en los modos operativos con control externo: Si se desconecta la señal de control del equipo, los caracteres del centro de la pantalla empezarán a parpadear; el parpadeo se detendrá en cuanto haya una señal de control.

Mensaje de error: Si en la pantalla aparece el símbolo de advertencia (un triángulo con el signo de exclamación), significa que hay un error en uno o varios componentes del equipo. En el menú **System Info > Error Info** se pueden consultar los componentes afectados. Si el error no se soluciona mediante un ciclo de apagado/encendido ni con un restablecimiento de ajustes, póngase en contacto con un servicio técnico autorizado.

DMX INALÁMBRICO

Para emparejar un receptor DMX inalámbrico con un transmisor compatible DMX inalámbrico, debe ejecutarse el comando «Reset» en la opción de menú W-DMX® > Receiver (seleccione Reset y confirme). El receptor está ahora listo para emparejarse y espera a que un transmisor envíe una solicitud de emparejamiento. Para emparejar, seleccione «Link» en el menú del transmisor; el emparejamiento se realiza de forma automática. De la misma forma, también puede hacerse el emparejamiento simultáneo o consecutivo de varios receptores a un transmisor (por ejemplo, para un funcionamiento Maestro/Esclavo). Una conexión DMX inalámbrica se mantiene activa hasta que se desconecta mediante un comando «Reset» en el receptor o «Unlink» en el transmisor, sin importar si el equipo se ha desenchufado de la red eléctrica.

ESTADO DEL DMX INALÁMBRICO

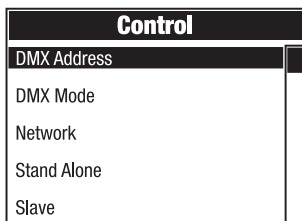
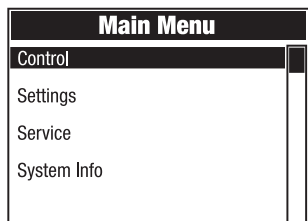
W-DMX® desactivado	W-DMX® activado como receptor; no emparejado	W-DMX® activado como receptor y emparejado; transmisor apagado o fuera de alcance	W-DMX® activado como receptor y emparejado; sin señal DMX	W-DMX® activado como receptor y emparejado; señal DMX presente	W-DMX® activado como transmisor

MENÚ DE CONTROL (Control)

El menú «Control» permite seleccionar los distintos modos operativos y las opciones de ajuste en los submenús.

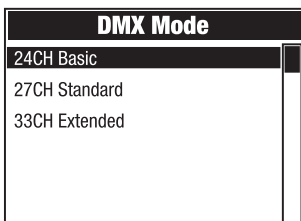
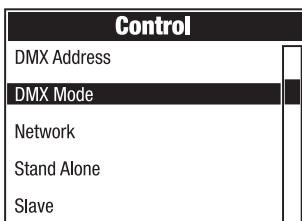
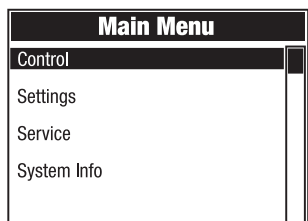
CONFIGURACIÓN DE LA DIRECCIÓN DE INICIO DMX (DMX Address)

Desde la pantalla principal, pulse MENU para entrar en el menú principal. Con ▲ y ▼, seleccione el menú **Control** y pulse ENTER. Seleccione ahora la opción de menú **DMX Address** y confirme de nuevo. Utilice ▲ y ▼ para cambiar el valor y pulse ENTER para confirmar.



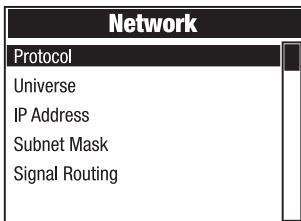
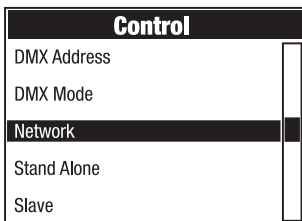
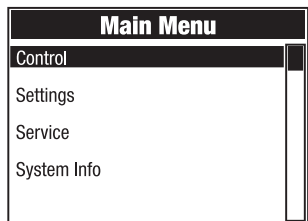
AJUSTE DEL MODO OPERATIVO DMX (DMX Mode)

Desde la pantalla principal, pulse MENU para entrar en el menú principal. Con ▲ y ▼, seleccione el menú **Control** y pulse ENTER. Seleccione ahora la opción de menú **DMX Mode** y confirme de nuevo. Utilice ▲ y ▼ para seleccionar el modo operativo DMX y pulse ENTER para confirmar. Las tablas DMX con las asignaciones de los canales se encuentran en la sección CONTROL DMX de este manual de usuario.



RED (Network)

Desde la pantalla principal, pulse MENU para entrar en el menú principal. Con ▲ y ▼, seleccione el menú **Control** y pulse ENTER. Seleccione ahora la opción de menú **Network** y confirme de nuevo.



En la siguiente tabla encontrará información sobre los submenús del menú «Network» y las opciones de ajuste correspondientes (seleccione con ▲ y ▼, confirme con ENTER, cambie el valor o el estado con ▲ y ▼, y confirme con ENTER).

Red Art-Net			
Protocol	Artnet	Control por Art-Net	
	sACN	Control por sACN	
Universe	Absolute Univ.	Ajuste del universo absoluto Art-Net	Depende de la red, la subred y el universo
	Net	Ajuste de la red Art-Net	
	Subnet	Configurar la subred Art-Net	En función del universo absoluto
	Universe	Configurar el universo Art-Net	
IP Address	xxx.xxx.xxx.xxx	Configurar la dirección IP: Configurar bloque 1, confirmar; configurar bloque 2, confirmar.	
Subnet Mask	xxx.xxx.xxx.xxx	Configurar la máscara de subred: Configurar bloque 1, confirmar; configurar bloque 2, confirmar.	
Signal Routing	Send to XLR	Reenviar la señal de control por la salida XLR	
	Backup by XLR	Control por XLR si se corta la señal de red	
	Receive only	Sin conexión entre la señal de red y los conectores XLR	

Red sACN		
Protocol	Artnet	Control por Art-Net
	sACN	Control por sACN
Universe	Configurar el universo sACN	
IP Address	xxx.xxx.xxx.xxx	Configurar la dirección IP: Configurar bloque 1, confirmar; configurar bloque 2, confirmar.
Subnet Mask	xxx.xxx.xxx.xxx	Configurar la máscara de subred: Configurar bloque 1, confirmar; configurar bloque 2, confirmar.
Signal Routing	Send to XLR	Reenviar la señal de control por la salida XLR
	Backup by XLR	Control por XLR si se corta la señal de red
	Receive only	Sin conexión entre la señal de red y los conectores XLR

MENÚ AUTÓNOMO (Stand Alone)

En los modos operativos autónomos «Play Scene» y «Play Loop», la señal de control del modo operativo correspondiente puede reenviarse a los equipos esclavos a través del conector XLR (Master/Alone > Master). Si no desea reenviar la señal de control, desactive la salida (Master/Alone > Alone).

Active una de las ocho escenas disponibles (Scene 1-8) o uno de los ocho bucles disponibles (Loop 1-8). Las escenas y los bucles están preprogramados, pero pueden personalizarse (Edit Scene / Edit Loop).

Desde la pantalla principal, pulse MENU para entrar en el menú principal. Con ▲ y ▼, seleccione la opción de menú **Control** y confirme con ENTER. Seleccione ahora la opción de menú **Stand Alone** y confirme de nuevo.

Main Menu
Control
Settings
Service
System Info

Control
DMX Address
DMX Mode
Network
Stand Alone
Slave

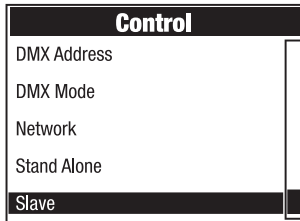
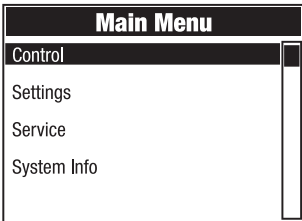
Stand Alone
Master/Alone
Play Scene/Loop
Edit Scene
Edit Loop
Enable Full Power

En la siguiente tabla encontrará información sobre los submenús del menú «Stand Alone» y las opciones de ajuste correspondientes (seleccione con ▲ y ▼, confirme con ENTER, cambie el valor o el estado con ▲ y ▼, y confirme con ENTER).

Stand Alone				
Master/Alone	Master	La señal de control se envía por DMX OUT		
	Alone	La señal de control no se reenvía		
Play Scene/Loop	Scene	Scene 1 - 8	Selección y activación de la escena	
	Loop	Loop 1 - 8	Selección y activación del bucle	
Edit Scene	Scene 1 - 8	Pan	Ajustar cada escena individualmente. Las escenas se activan al seleccionarlas.	
		Tilt		
		Dimmer		
		...		
Edit Loop	Loop 1 - 8	Step	1 - 8	Seleccionar el paso 1-8
		t-Step	0s - 20min	Ajustar la duración de paso
		t-Fade	0s - 20 min	Ajustar el tiempo de fundido
		User Scene	1 - 8	Seleccionar la escena 1-8
		Skip Step	No / Yes	Saltar paso: No/Sí
Enable Full Power	Safety Check OK	Antes de activar la máxima intensidad, asegúrese de que no hay personas en la trayectoria del haz luminoso (comprobación de seguridad) Cuando se activa otro modo de funcionamiento, la función Full Power se desactiva automáticamente.		
	Back	¡NO active la máxima intensidad sin una comprobación de seguridad! Pulse «Back»		

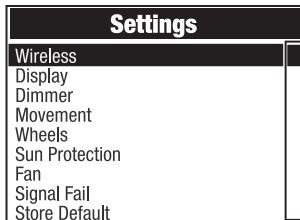
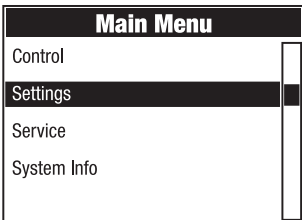
MODO ESCLAVO (Slave)

Desde la pantalla principal, pulse MENU para entrar en el menú principal. Con ▲ y ▼, seleccione la opción de menú **Control** y confirme con ENTER. Seleccione ahora la opción de menú **Slave** y confirme de nuevo. Active la salida de la señal de control en el equipo maestro (Control > Stand Alone > Master/Alone > Master). Conecte los equipos maestro y esclavo (mismo modelo y misma versión de software) con un cable DMX o por W-DMX® y active el modo autónomo «Play Scene» o «Play Loop» en el equipo maestro. Ahora, el equipo esclavo seguirá al el equipo maestro.



AJUSTES DEL SISTEMA (Settings)

Desde la pantalla principal, pulse MENU para entrar en el menú principal. Utilice ▲ y ▼ para seleccionar **Settings** y confirme con ENTER.



En la siguiente tabla encontrará información sobre los submenús del menú «Settings» y las opciones de ajuste correspondientes (seleccione con ▲ y ▼, confirme con ENTER, cambie el valor o el estado con ▲ y ▼, y confirme con ENTER).

Settings (negrita = ajuste de fábrica)				
Wireless	Ajustes inalámbricos	State	On	Módulo inalámbrico activado
			Desactivado	Módulo inalámbrico desactivado
		Operating Mode	RX	Módulo inalámbrico = receptor
			TX CRMX	Módulo inalámbrico = transmisor con estándar CRMX
			TX G3	Módulo inalámbrico = transmisor con estándar G3
			TX G4s	Módulo inalámbrico = transmisor con estándar G4s
		Linking	Unlink	Cerrar las conexiones DMX inalámbricas y ponerlas en modo En espera de emparejamiento
		Linking	Link/Force to pair	Emparejarse con dispositivos inalámbricos compatibles y listos para emparejarse
		Linking Key	Linking Key	Ajustar clave de conexión
			CRMX Mode	CRMX
CRMX2	Estándar de receptor = CRMX2			

Wireless	Ajustes inalámbricos	Linking Key	CRMX Universe	A - H	Seleccionar universo CRMX A a H		
		Universe Metadata	RGB Colour Code	Red, Orange, Yellow, Green, Cyan, Blue, Purple, White	Código RGB para representación cromática del universo		
			Universe Name	Cadena de 16 caracteres con nombre personalizable que identifica el universo			
		Bluetooth	State	On	Bluetooth activado		
				Off	Bluetooth desactivado		
			Pin	On	Solicitud de PIN activada (por defecto, 081569)		
		Off		Solicitud de PIN desactivada			
		Signal Routing	Send to XLR	Reenviar la señal de control por XLR (DMX OUT)			
			Backup by XLR	Utilizar la señal de control del conector XLR (DMX IN) si se corta la señal inalámbrica			
			Receive only	Sin conexión entre la señal DMX inalámbrica y los conectores XLR			
Display	Ajustes de pantalla	Reverse	On	Girar 180° la pantalla (p. e., para instalación suspendida)			
			Off	No girar la pantalla			
			Auto	Detección automática de la posición (montaje vertical/suspendido)			
		Off Timer	Always On	Siempre encendido			
			Off after 20s	Desactivar al cabo de unos 20 segundos de inactividad			
		Autolock	On after 60s	Controles bloqueados después de unos 60 segundos sin entrada (LOCKED). Desbloquear: Pulse UP y DOWN al mismo tiempo durante unos 5 segundos.			
			Off	Bloqueo automático desactivado			

Dimmer	Ajustes del regulador de intensidad	Curve	Linear	La intensidad luminosa aumenta de forma lineal con el valor DMX
			Exponential	Ajustar la intensidad luminosa con precisión en los valores DMX bajos y de forma más brusca en los valores DMX altos
			Logarithmic	Ajustar la intensidad luminosa de forma más brusca en los valores DMX bajos y con precisión en los valores DMX altos
			S-Curve	Ajustar la intensidad luminosa con precisión en los valores DMX altos y bajos, y de forma más amplia en los valores DMX intermedios
		PWM Frequency	650 Hz, 1530 Hz, 3600 Hz, 12 kHz, 18.9 kHz, 25 kHz	Seleccionar la frecuencia PWM del LED
		Response	Light Source	La luz responde de forma instantánea a los cambios en el valor DMX
Halogen	El foco reacciona como una lámpara halógena, con suaves cambios de intensidad			
Movement	Ajustes de los movimientos de la cabeza	Pan Reverse	On	Giro horizontal invertido
			Off	Giro horizontal no invertido
		Tilt Reverse	On	Giro vertical invertido
			Off	Giro vertical no invertido
		Pan Angle	540°	Giro horizontal 540°
			630°	Giro horizontal 630°
		Position Feedback	On	Con corrección automática de la posición
			Off	Sin corrección automática de la posición
		Move in Black	On	Oscurecimiento durante el movimiento de la cabeza
			Off	Sin oscurecimiento durante el movimiento de la cabeza
		Silent Movement	On	Movimiento más lento del motor para un funcionamiento más silencioso
			Off	Función desactivada

Wheels	Ajustes del gobo y de la rueda de colores	Gobo Wheel	Position	Clockwise	La rueda de gobos gira siempre en el sentido de las agujas del reloj	
				Shortest Way	La rueda de gobos gira en el sentido que implique la distancia más corta	
			Movement	Snap	La rueda de gobos cambia directamente al gobo deseado cuando se alcanza el valor correspondiente	
				Scroll	Giro continuo de las ruedas de gobos	
		Color Wheel	Position	Clockwise	La rueda de gobos gira siempre en el sentido de las agujas del reloj	
				Shortest Way	La rueda de gobos gira en el sentido que implique la distancia más corta	
			Movement	Snap	La rueda de colores cambia directamente al filtro de color deseado cuando se alcanza el valor correspondiente	
				Scroll	Giro continuo de la rueda de colores	
		Move in Black	On	Oscurecimiento en los cambios de las ruedas de colores y gobos		
			Off	Sin oscurecimiento en los cambios de las ruedas de colores y gobos		
		Sun Protection	Función de protección de los componentes internos	On	Activa el oscurecimiento y el cabezal del equipo se gira hacia abajo	
				Off	Función desactivada	
Fan	Ajustes del ventilador	Auto	Control automático del ventilador			
		Off	Ventilador apagado con brillo muy reducido			
		Constant Low	Velocidad baja y constante del ventilador con brillo reducido, si fuese necesario			

Fan	Ajustes del ventilador	Constant Mid	Velocidad intermedia y constante del ventilador con brillo reducido, si fuese necesario
		Constant High	Velocidad alta y constante del ventilador
Signal Fail	Estado operativo con fallo de señal DMX	Hold	Se conserva el último comando
		Last Stand Alone	Se activa el último modo operativo autónomo seleccionado
		Fade to Black (10s)	Desvanecimiento de 10 segundos hasta oscurecimiento
		Blackout	Activa el oscurecimiento
		Sun Protection	Activa el oscurecimiento y el cabezal del equipo se gira hacia abajo
Store Default	Guardar los ajustes en 3 preajustes distintos	User A	Guarda todos los ajustes actuales como preajuste de usuario A
		User B	Guarda todos los ajustes actuales como preajuste de usuario B
		User C	Guarda todos los ajustes actuales como preajuste de usuario C

MENÚ DE MANTENIMIENTO (Service)

Desde la pantalla principal, pulse MENU para entrar en el menú principal. Utilice ▲ y ▼ para seleccionar **Service** y confirme con ENTER.

Main Menu	Service
Control	Load Default
Settings	Reset
Service	Test
System Info	Reset Service Timer
	Password

En la siguiente tabla encontrará información sobre los submenús del menú «Service» y las opciones correspondientes (seleccione con ▲ y ▼, confirme con ENTER, seleccione el comando con ▲ y ▼, y confirme con ENTER).

Service		
Load Default	Factory Default	Restablecer los ajustes de fábrica
	User A	Restablecer valores del usuario A (guardar valores de usuario: Settings > Store Default)
	User B	Restablecer valores del usuario B (guardar valores de usuario: Settings > Store Default)
	User C	Restablecer valores del usuario C (guardar valores de usuario: Settings > Store Default)

Reset	Pan/Tilt	Reiniciar los motores de giro horizontal/vertical
	Head	Reiniciar los motores de la cabeza del equipo
	All	Reiniciar todos los motores
Test	Test Sequence	Secuencia preprogramada para probar todos los componentes
	Stress Test	Secuencia preprogramada para probar todos los componentes con carga máxima
	Motor Test	Activar cada uno de los motores con valores de 000 a 255
Reset Service Timer	No	No restablecer las horas de funcionamiento
	Yes	Restablecer las horas de funcionamiento
Password	Solo para fines de mantenimiento	

INFORMACIÓN DEL SISTEMA (System Info)

Desde la pantalla principal, pulse MENU para entrar en el menú principal. Utilice ▲ y ▼ para seleccionar **System Info** y confirme con ENTER.

Main Menu	System Info
Control	Firmware
Settings	Wireless
Service	Temperature
System Info	Fan Speed
	Runtime
	MAC Address
	RDM UID
	DMX Values
	Error Info
	DMX Table

En la siguiente tabla encontrará información sobre los elementos del submenú del menú «System Info» y las opciones correspondientes (seleccione con ▲ y ▼, y confirme con ENTER).

System Info			
Firmware	DISP	Vx.x.x	Mostrar la versión de firmware del equipo
	CTR1-Motor	Vx.x.x	
	...	Vx.x.x	
Wireless	Module	TimoTwo	Modelo del módulo inalámbrico
	Device Name	CLORONH2-xxxx	Nombre del equipo
	Version	HW (Hardware)	Número de versión del hardware
		SW (Software)	Número de versión del software
	Link Quality	%	Calidad de la conexión (en porcentaje)
Data Source	None / DMX / Wireless Link / SPI / BLE	Información sobre la fuente de datos	

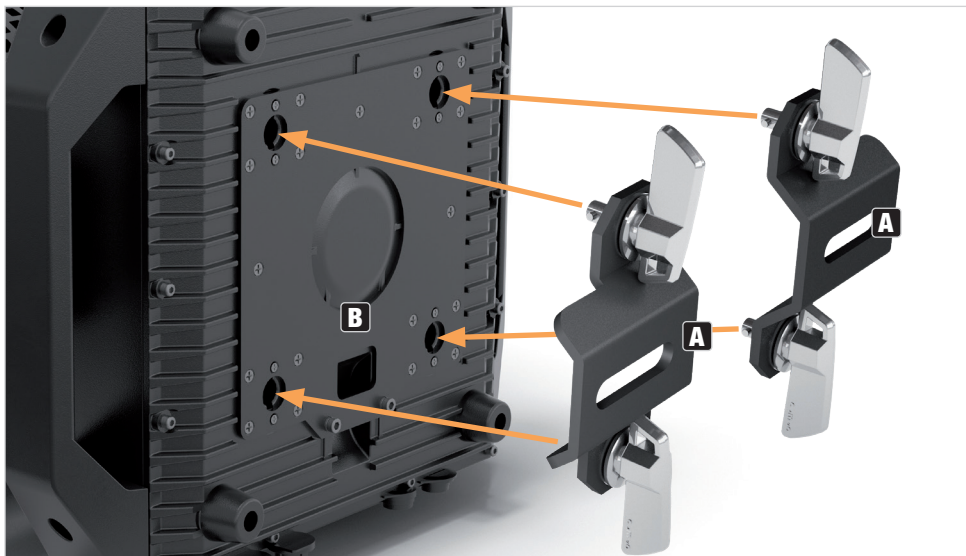
Wireless	Status	Operational: DMX Data: RDM Identify: RF Link: Link State:	Información de estado
Temperature	Light Source	xxx °C/°F	Mostrar la temperatura del equipo
	Base	xxx °C/°F	
	Temperature Unit	°C °F	Unidad para la temperatura (pulse ENTER para cambiar)
Fan Speed	xxxx RPM	Mostrar la velocidad de los ventiladores	
Runtime	Total	xxxx h : xx m	Horas totales de funcionamiento
	Operation	xxxx h : xx m	Tiempo operativo útil
	Light Source	xxxx h : xx m	Horas de funcionamiento de la lámpara
	Service	xxxx h : xx m	Horas de funcionamiento desde el último restablecimiento del tiempo de mantenimiento
MAC Address	xx:xx:xx:xx:xx:xx	Dirección MAC	
RDM UID	RDM Unique Identifier (identificador único)		
DMX Values	Indicación de los valores DMX presentes		
Error Info	Indicar el error en caso de avería		
DMX Table	Mostrar las tablas de los modos DMX		

INSTALACIÓN Y MONTAJE

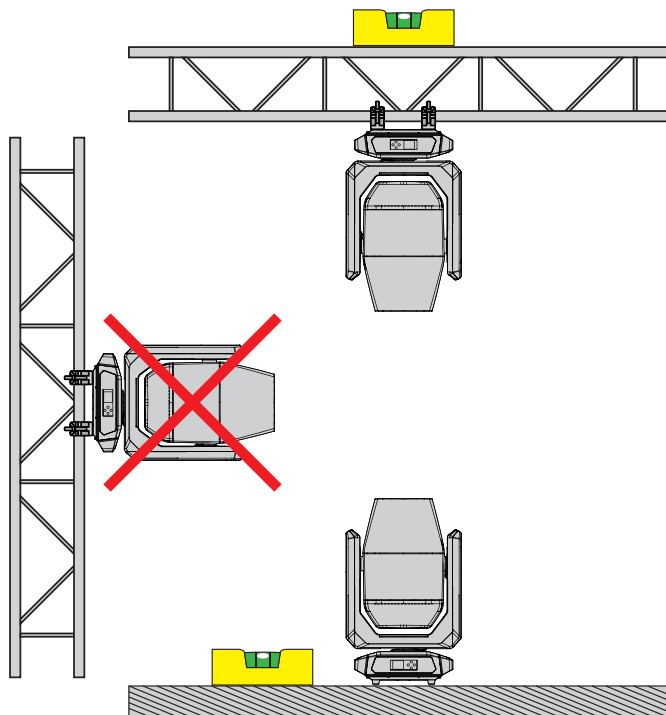


PELIGRO: El montaje en suspensión requiere mucha experiencia, lo que incluye el cálculo del valor máximo de carga del material utilizado en el montaje, así como la inspección periódica de seguridad de todos los elementos y focos de la instalación. Si no tiene estos conocimientos, no intente realizar la instalación usted mismo. En cambio, diríjase a un profesional cualificado. Existe el riesgo de que los equipos mal instalados y asegurados se suelten y caigan. Esto puede causar lesiones graves o incluso la muerte.

Gracias a los pies de goma integrados, el foco puede colocarse en un lugar adecuado sobre una superficie nivelada. El montaje en truss se realiza fijando dos soportes de montaje en omega a la base del equipo (A). Se suministran dos soporte en omega. Las abrazaderas para truss se pueden pedir por separado. Asegúrese de que las conexiones sean firmes y fije el foco a la argolla (B) con un cable de seguridad adecuado.



POSICIÓN DE USO



CUIDADO, MANTENIMIENTO Y REPARACIÓN

Para garantizar el buen funcionamiento del equipo a largo plazo, hay que limpiarlo con regularidad y, si es necesario, hacerle las revisiones necesarias. Los requisitos de limpieza y mantenimiento dependen de la intensidad de uso y del entorno en el que se utilice. Se recomienda una inspección visual antes de cada puesta en marcha. Además, recomendamos llevar a cabo todas las medidas de mantenimiento aplicables que se especifican a continuación una vez cada 500 horas de funcionamiento o, en caso de uso menos intensivo, al cabo de un año como máximo. Las reclamaciones de garantía pueden estar limitadas en caso de defectos debidos a un mantenimiento inadecuado.



¡ADVERTENCIA! Antes de realizar cualquier trabajo de limpieza y mantenimiento, debe desenchufarse del suministro eléctrico y, si es posible, quitar todas las conexiones del equipo.



¡NOTA! Un cuidado inadecuado puede deteriorar el equipo e incluso destruirlo.

1. Las superficies de la carcasa deben limpiarse con un paño limpio y húmedo. Asegúrese de que la humedad no pueda penetrar en el dispositivo.
2. Las entradas y salidas de aire deben limpiarse regularmente para eliminar el polvo y la suciedad. Si se utiliza aire comprimido, hay que tener cuidado de no dañar el equipo (por ejemplo, los ventiladores deben estar bloqueados para que no se sobrerevolucionen).
3. Los cables y los conectores deben limpiarse regularmente para eliminar el polvo y la suciedad.
4. En general, no deben utilizarse productos de limpieza ni agentes abrasivos, ya que de lo contrario podría dañarse el acabado de la superficie.
5. Los equipos deben guardarse en un lugar seco y protegido del polvo y la suciedad.
6. Para garantizar un funcionamiento correcto y seguro, es necesario limpiar con regularidad todas las lentes accesibles o extraíbles y las aberturas emisoras de luz.

MANTENIMIENTO Y REPARACIÓN (solo por personal cualificado)



¡PELIGRO! Dentro del equipo hay componentes con tensión. Incluso después de desenchufar el equipo del suministro eléctrico, puede haber tensiones residuales dentro del equipo, por ejemplo, en los condensadores.



NOTA: Los trabajos de mantenimiento y reparación solo podrán ser realizados por personal especializado suficientemente cualificado. En caso de duda, consulte a un taller especializado.



NOTA: Los trabajos de mantenimiento realizados de forma incorrecta pueden comprometer el derecho a la garantía.



NOTA: Si utiliza kits de conversión/adaptación proporcionados por el fabricante, asegúrese de seguir las instrucciones de instalación suministradas.

DIMENSIONES (mm)

ENGLISH

DEUTSCH

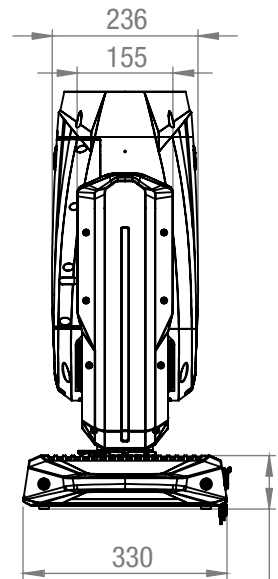
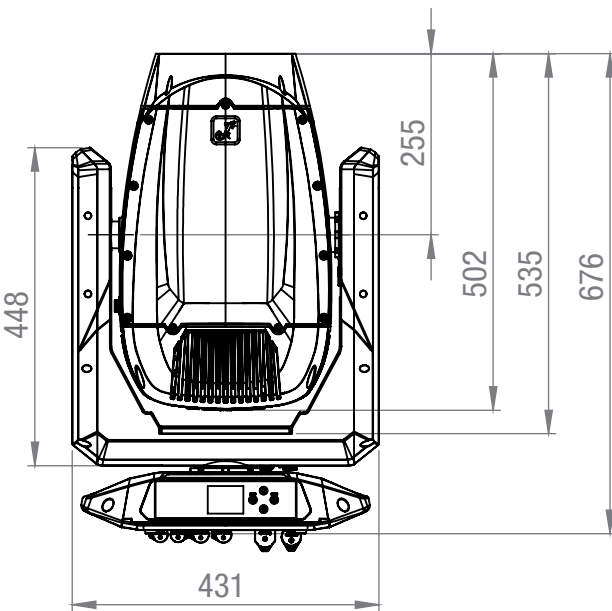
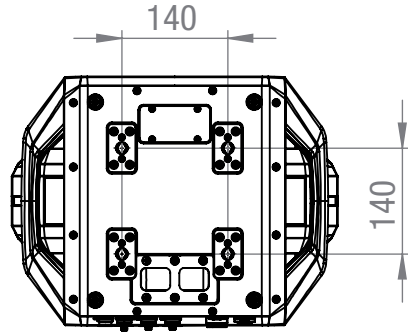
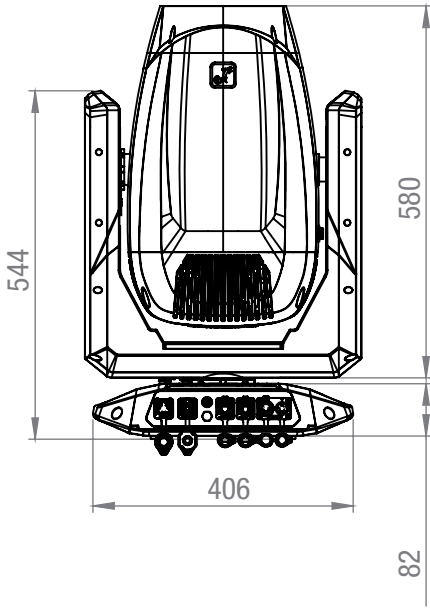
FRANCAIS

ESPAÑOL

POLSKI

ITALIANO

DMX



87

CARACTERÍSTICAS TÉCNICAS

Referencia:	CLORONH2
Tipo de producto:	CABEZA MÓVIL FÓSFORO LÁSER IP65
Tipo:	Cabeza móvil
Fuentes:	1
Tipo de fuente de luz:	Motor de fósforo láser, 260 W
Vida útil mínima de la fuente de luz (L70):	>12.000 h (vida útil definida como tiempo hasta el 70 %/ L70)
Temperatura de color (fuente de luz):	8.000 K
Temperatura de color (salida):	6.500 K
Mezcla de colores:	CMY + CTO
Rueda CTO:	3.000 K-6.500 K
IRC:	68 (original), >85 con filtro de alto IRC
Rueda de colores:	19 + posición abierta y continua
Rueda fija de gobos:	19 fijos + 1 abierto
Rueda giratoria de gobos:	12 giratorios + 1 abierto
Efectos:	2 niveles de prisma (superposición) con 7 efectos (1.er nivel: 5 prismas; 2.º nivel: 1 prisma, ovalizador + 3 filtros frost [ligero/intermedio/fuerte])
Ángulo de haz:	0,6°-32°
Giro horizontal:	Ajustable: 630°/540°
Giro vertical:	270°
Entrada DMX:	XLR macho de 5 pines, IP65
Salida DMX:	XLR hembra de 5 pines, IP65
Modos DMX:	24-CH basic, 27-CH standard, 33-CH extended
Funciones DMX:	Giro horizontal/vertical, giro horizontal/vertical fino, atenuador, atenuador fino, estrobo, cian, cian fino, magenta, magenta fino, amarillo, amarillo fino, CTO lineal, rueda de colores, rueda fija de gobos, rueda giratoria de gobos, zoom, zoom fino, enfoque, enfoque fino, prisma, giro del prisma, filtro frost, rueda de animación
Funciones modo Autónomo:	Play scene, play loop

ENGLISH

DEUTSCH

FRANCAIS

ESPAÑOL

POLSKI

ITALIANO

DMX

Configuración del equipo:

Invertir pantalla, activar/desactivar la iluminación de la pantalla, error de señal, inversión horizontal, inversión vertical, retroalimentación, apagado, test, restablecimiento, valores por defecto de usuario, funciones de oscurecimiento, scroll/snap rueda de colores gobos, bloqueo automático, velocidad horizontal/vertical, valores por defecto de la lámpara, modos de ventilación, protección solar, modo En espera

PWM:

650 Hz, 1.530 Hz, 3.600 Hz, 12 kHz, 18,9 kHz, 25 kHz

Curvas de atenuación:

Lineal, exponencial, logarítmica, curva en S

Estrobo:

1 Hz-20 Hz

Control:

DMX, RDM, Art-Net, sACN, WDMX/CRMX

Controles:

Navegación con 4 botones (MENU/ENTER/UP/DOWN)

Indicadores:

Pantalla TFT retroiluminada de 2"

Tensión eléctrica:

100-240 Vca, 50/60 Hz

Corriente de inicio:

13 A en 1 ms a 230 V (primer medio ciclo)

Clase de protección:

1

Protección contra sobretensiones:

6.000 V

Fusible:

6,3 A, 250 V

Consumo:

460 W

Iluminancia:

330.000 lx a 20 m y 0,6°

Conector eléctrico:

Seetronic IP65 (entrada y salida)

Clasificación IP:

IP65

Temperatura ambiente operativa:

-20 °C-40 °C

Material de la carcasa:

Magnalio

Color de la carcasa:

Negro

Refrigeración:

Ventiladores controlados por temperatura

Distancia mínima a la superficie iluminada:

25 m

Distancia mínima a materiales normalmente inflamables:

0,1 m

Grupo de riesgo:

RG3

Distancia de peligro:

∞, Nunca apunte el haz de luz hacia personas

Diámetro de la lente:

178 mm

Dimensiones (an. × al. × f.):

Ver figuras

Peso:

32 kg

Otras características:

Cable eléctrico de 1 m con conector Seetronic IP65 y 2 soportes de montaje en omega (CLO-MEGABRACKET5) incluidos

Accesorios (opcional):

Inserto SIP de espuma EPP

EXPLICACIÓN DE LA CLASE DE PROTECCIÓN IP

1. La protección IP solo refleja la protección contra objetos sólidos y el agua. No describe la resistencia general a la intemperie, como la protección contra la radiación UV ni la temperatura.
2. El primer número indica la protección contra polvo, objetos sólidos y contacto directo:

IP2X	Protegido contra cuerpos extraños sólidos $\geq 12,5$ mm de diámetro
IP3X	Protegido contra cuerpos extraños sólidos $\geq 2,5$ mm de diámetro
IP4X	Protegido contra cuerpos extraños sólidos $\geq 1,0$ mm de diámetro
IP5X	Protegido contra la entrada de polvo en cantidades dañinas y completamente protegido contra el contacto
IP6X	Son estancos al polvo y están completamente protegidos contra el contacto

3. El segundo número indica la protección contra el agua:

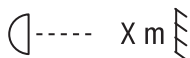
IPX0	Sin protección
IPX1	Protección contra goteo de agua
IPX2	Protección contra el goteo de agua cuando el equipo se inclina hasta 15°
IPX3	Protección contra la caída de agua pulverizada hasta 60° de la vertical
IPX4	Protección contra salpicaduras de agua en todos los lados
IPX5	Protección contra chorros de agua (boquilla) desde cualquier ángulo
IPX6	Protección contra fuertes chorros de agua
IPX7	Protección contra inmersión temporal

4. Además, para alcanzar la clase de protección especificada son necesarias algunas medidas específicas del equipo, como cubiertas y tapones de sellado (por ejemplo, tapones de protección en los conectores no utilizados).



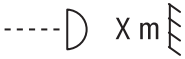
El grado de protección IP del producto figura en las características técnicas y está impreso en el equipo.

DISTANCIA MÍNIMA A LA SUPERFICIE ILUMINADA



Este símbolo con la especificación de la distancia en metros (m) indica la distancia mínima entre el foco y la superficie iluminada. ¡El valor correcto para este equipo se encuentra en la sección de características técnicas de este manual y está impreso en el equipo!

DISTANCIA MÍNIMA A MATERIALES NORMALMENTE INFLAMABLES



Este símbolo con la especificación de la distancia en metros (m) indica la distancia mínima entre el foco y los materiales normalmente inflamables. Consulte las características técnicas de este manual para conocer el valor válido de este equipo.

RECICLAJE



EMBALAJE:

1. El embalaje puede reciclarse a través de los métodos habituales de eliminación de residuos.
2. Por favor, separe el embalaje de acuerdo con las normas de eliminación de residuos y las normas de reciclaje de su país.



DISPOSITIVO:

1. Este aparato está sujeto a la Directiva Europea aplicable a los residuos de aparatos eléctricos y electrónicos, en su versión modificada. Directiva RAEE sobre residuos de aparatos eléctricos y electrónicos. Los aparatos usados no deben eliminarse con la basura doméstica. Los equipos desechados deben eliminarse a través de un servicio de eliminación de residuos autorizado o de una instalación municipal de eliminación de residuos. Respete la normativa vigente en su país.
2. Respete todas las leyes de eliminación aplicables en su país.
3. Como cliente particular, puede obtener información sobre las opciones de eliminación respetuosas con el medioambiente en el establecimiento donde ha adquirido el producto o de las autoridades regionales competentes.

DECLARACIÓN DEL FABRICANTE

Garantía del fabricante y limitación de responsabilidad

Adam Hall GmbH | Adam-Hall-Str. 1 | 61267 Neu-Anspach | Alemania

Correo electrónico: info@adamhall.com / +49 (0)6081 9419 0.

Puede consultar nuestras condiciones de garantía y la limitación de responsabilidad vigentes en: https://cdn-shop.adamhall.com/media/pdf/Manufacturers-Declarations-CAMEO_DE_EN_ES_FR.pdf

Para cualquier tarea de mantenimiento o reparación, póngase en contacto con su distribuidor.

Conformidad CE

Por la presente, Adam Hall GmbH declara que este producto cumple las siguientes directrices (si procede):

Directiva de baja tensión (2014/35/UE)

Directiva EMC (2014/30/UE)

RoHS (2011/65/UE)

RED (2014/53/UE)

Declaración de conformidad CE

Las declaraciones de conformidad de los productos sujetos a las directivas LVD, EMC y RoHS pueden solicitarse a info@adamhall.com

Las declaraciones de conformidad de los productos sujetos a la RED pueden descargarse de www.adamhall.com/compliance/

¡Sujeto a erratas y errores, así como a modificaciones técnicas o de otro tipo!

ENGLISH

DEUTSCH

FRANCAIS

ESPAÑOL

POLSKI

ITALIANO

DMX

DOKONALI PAŃSTWO WŁAŚCIWEGO WYBORU!

Urządzenie to zostało opracowane i wyprodukowane zgodnie z najwyższymi standardami jakości, aby zapewnić wiele lat bezawaryjnej pracy. Proszę uważnie przeczytać niniejszą instrukcję obsługi, aby móc szybko optymalnie wykorzystać swój nowy produkt Cameo Light. Więcej informacji na temat Cameo Light znajdują Państwo na naszej stronie internetowej **CAMEOLIGHT.COM**

INFORMACJE NA TEMAT NINIEJSZEJ INSTRUKCJI OBSŁUGI

- Przed rozpoczęciem korzystania z urządzenia należy uważnie przeczytać instrukcje dotyczące bezpieczeństwa oraz całą instrukcję obsługi.
- Należy przestrzegać ostrzeżeń umieszczonych na urządzeniu i w instrukcji obsługi.
- Instrukcję obsługi należy zawsze przechowywać w zasięgu ręki.
- Jeżeli sprzedają Państwo lub przekazują urządzenie, ważne jest, aby dołączyli Państwo również niniejszą instrukcję obsługi, ponieważ stanowi ona integralną część produktu.

ZAMIERZONE ZASTOSOWANIE

Ten produkt to urządzenie do technologii eventowej!

Ten produkt został opracowany do użytku profesjonalnego w dziedzinie techniki eventowej i nie nadaje się do użytku jako oświetlenie domowe oraz do użytkowania w obszarach zamieszkałych! Urządzenie nie może być używane do oświetlania ludzi!

Obowiązkiem operatora jest dopilnowanie, aby żadne osoby nie były narażone na działanie wiązki światła lub jej odbić.

Działanie tymczasowe! Sprzęt eventowy jest przeznaczony wyłącznie do użytku tymczasowego i nie jest przeznaczony do ciągłego użytkowania lub stałej instalacji! Ponadto produkt ten przeznaczony jest wyłącznie dla wykwalifikowanych użytkowników posiadających specjalistyczną wiedzę z zakresu techniki eventowej!

Użytkowanie produktu niezgodne z podanymi danymi technicznymi i warunkami eksploatacji jest uważane za niezgodne z przeznaczeniem!

Odpowiedzialność jest wyłączona, gdy szkody i szkody osób trzecich na osobach i mieniu są spowodowane niewłaściwym użytkowaniem!

Produkt nie jest odpowiedni dla:

- Dzieci (dzieci należy poinstruować, aby nie bawiły się urządzeniem).
- Osoby o ograniczonych zdolnościach fizycznych, sensorycznych lub umysłowych lub nieposiadające doświadczenia i wiedzy.

OBJAŚNIENIA TERMINÓW I SYMBOLI

1. **NIEBEZPIECZEŃSTWO:** Słowo NIEBEZPIECZEŃSTWO, ewentualnie w połączeniu z symbolem, wskazuje na sytuacje lub warunki bezpośrednio zagrażające życiu i zdrowiu.
2. **OSTRZEŻENIE:** Słowo OSTRZEŻENIE, ewentualnie w połączeniu z symbolem, wskazuje na potencjalnie niebezpieczne sytuacje lub warunki dla życia i zdrowia.
3. **PRZESTROGA:** Słowo PRZESTROGA, ewentualnie w połączeniu z symbolem, jest używane do wskazania sytuacji lub warunków, które mogą prowadzić do obrażeń.

4. **UWAGA:** hasło ostrzegawcze UWAGA, ewentualnie w połączeniu z symbolem, odnosi się do sytuacji lub warunków, które mogą spowodować szkody materialne i/lub szkody dla środowiska.



Ten symbol wskazuje na zagrożenia, które mogą spowodować porażenie prądem.



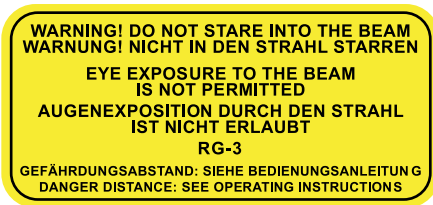
Ten symbol oznacza niebezpieczne obszary lub niebezpieczne sytuacje.



Ten symbol oznacza zagrożenia spowodowane gorącymi powierzchniami.



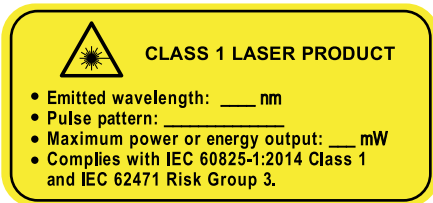
Ten symbol oznacza, że należy unikać patrzenia lub wpatrywania się w źródło światła.



Ten symbol wskazuje, że intensywne źródła światła sklasyfikowane w grupie ryzyka 3 mogą powodować uszkodzenia skóry lub oczu.



Ten symbol wskazuje kierunek, w którym z wylotu urządzenia emitowane jest potencjalnie niebezpieczne światło.



Ten symbol oznacza, że produkt jest urządzeniem grupy ryzyka 3, które jest zgodne z normami IEC 62471 i IEC 60825-01:2014.



Ten symbol oznacza ryzyko zmiądzenia.



Ten symbol oznacza źródła intensywnego światła.



Ten symbol oznacza, że produkt nie zawiera części nadających się do serwisowania. Tylko autoryzowany personel może przeprowadzać prace konserwacyjne lub serwisowe.



Ten symbol oznacza dodatkowe informacje na temat działania produktu.



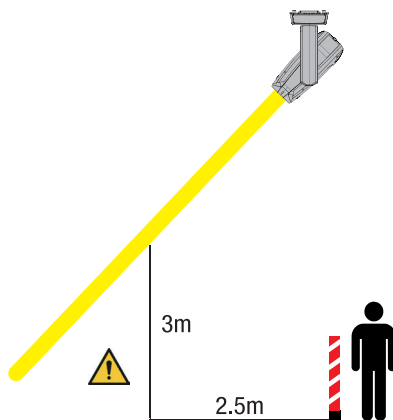
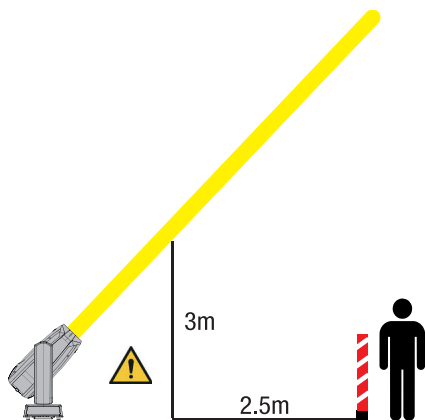
STREFA ZAGROŻENIA

W przypadku urządzeń z grupy ryzyka 3 strefa zagrożenia odnosi się do obszaru, w którym promieniowanie optyczne stwarza znaczące ryzyko uszczerbku na zdrowiu. Obszar ten jest oznaczony symbolem ostrzegawczym na poniższym rysunku.

Promieniowanie optyczne

Ryzyko poważnego uszkodzenia oczu lub ślepoty

1. Proszę upewnić się, że odległość pozioma od strefy niebezpiecznej wynosi co najmniej 2,5 metra, a odległość pionowa co najmniej 3 metry.
2. Proszę upewnić się, że nikt nie może wejść do strefy zagrożenia. Strefa niebezpieczna musi być odgradzona barierami.



INSTRUKCJE BEZPIECZEŃSTWA



OSTRZEŻENIE! Promieniowanie optyczne

Ryzyko poważnego uszkodzenia oczu lub ślepoty

1. Urządzenie jest przeznaczone wyłącznie do tworzenia efektów świetlnych w powietrzu.
2. Nie wolno używać urządzenia do oświetlania osób. Nie nadaje się do użytku w obszarach mieszkalnych.
3. Obowiązkiem operatora jest dopilnowanie, aby żadne osoby nie były narażone na działanie wiązki światła lub jej odbić.



NIEBEZPIECZEŃSTWO:

1. Proszę nie otwierać urządzenia i nie wprowadzać żadnych modyfikacji.
2. Jeśli urządzenie przestanie działać prawidłowo, jeśli do jego wnętrza dostaną się płyny lub przedmioty lub jeśli zostanie ono uszkodzone w jakikolwiek inny sposób, należy je natychmiast wyłączyć i odłączyć od zasilania. Naprawy urządzenia mogą wykonywać wyłącznie upoważnione osoby o odpowiednich kwalifikacjach.
3. W przypadku urządzeń klasy ochrony 1 przewód ochronny musi być prawidłowo podłączony. Nigdy nie odłączać przewodu ochronnego. Urządzenia klasy ochrony 2 nie posiadają przewodu ochronnego.
4. Upewnić się, że przewody pod napięciem nie są zagięte lub w inny sposób uszkodzone mechanicznie.
5. Nigdy nie należy omijać bezpiecznika urządzenia.



OSTRZEŻENIE!

1. Urządzenie nie może być używane, jeśli wykazuje wyraźne oznaki uszkodzenia.
2. Urządzenie może być instalowane wyłącznie w stanie beznapięciowym.
3. Jeśli kabel zasilający urządzenia jest uszkodzony, nie należy używać urządzenia.
4. Kable zasilające podłączone na stałe mogą być wymieniane wyłącznie przez wykwalifikowany personel.



UWAGA:

1. Nie należy używać urządzenia, jeśli było ono narażone na duże wahania temperatury (na przykład po transporcie). Wilgoć i kondensacja mogą uszkodzić urządzenie. Włącz urządzenie dopiero po tym, jak osiągnie temperaturę otoczenia.
2. Proszę upewnić się, że napięcie i częstotliwość sieci zasilającej odpowiadają wartościom podanym na urządzeniu. Jeżeli urządzenie posiada przełącznik wyboru napięcia, nie należy podłączać urządzenia, dopóki nie zostanie on prawidłowo ustawiony. Stosować tylko odpowiednie kable sieciowe.
3. Aby odłączyć urządzenie od sieci na wszystkich biegunach, nie wystarczy nacisnąć włącznik/wyłącznik na urządzeniu.
4. Proszę upewnić się, że używany bezpiecznik odpowiada typowi podanemu na urządzeniu.
5. Proszę upewnić się, że podjęto odpowiednie środki zapobiegające przepięciom (np. uderzeniom pioruna).
6. Proszę przestrzegać podanego maksymalnego prądu wyjściowego w urządzeniach z wyjściem Power Out. Należy upewnić się, że całkowity pobór prądu wszystkich podłączonych urządzeń nie przekracza podanej wartości.
7. Wtykowe kable zasilające należy wymieniać wyłącznie na oryginalne.



NIEBEZPIECZEŃSTWO:

1. Niebezpieczeństwo uduszenia/zadławienia! Plastikowe torby i małe części muszą być przechowywane poza zasięgiem osób (w tym dzieci) o ograniczonych zdolnościach fizycznych, sensorycznych lub umysłowych.
2. Niebezpieczeństwo spowodowane przez spadające urządzenie! Proszę upewnić się, że urządzenie jest bezpiecznie zamontowane i nie może spaść. Używaj wyłącznie odpowiednich stojaków lub uchwytów (szczególnie w przypadku instalacji stałych). Upewnić się, że akcesoria są prawidłowo zamontowane i zabezpieczone. Zapewnić przestrzeganie obowiązujących przepisów bezpieczeństwa.



OSTRZEŻENIE:

1. Z urządzenia należy korzystać wyłącznie w zalecany sposób.
2. Urządzenie należy użytkować wyłącznie z akcesoriami zalecanymi i przeznaczonymi przez producenta.
3. Podczas instalacji należy przestrzegać przepisów bezpieczeństwa obowiązujących w Państwa kraju.
4. Po podłączeniu urządzenia należy sprawdzić wszystkie trasy kabli, aby uniknąć uszkodzeń lub wypadków, np. z powodu ryzyka potknięcia.
5. Proszę zawsze przestrzegać podanej minimalnej odległości od normalnie łatwopalnych materiałów! Jeśli nie jest to wyraźnie określone, minimalna odległość wynosi 0,3 m.
6. Proszę zawsze przestrzegać minimalnej odległości od oświetlanej powierzchni podanej na urządzeniu!



PRZESTROGA!

1. Ruchome elementy, takie jak wsporniki montażowe lub inne ruchome elementy mogą ulec zakleszczeniu.
2. W przypadku urządzeń z elementami napędzanymi silnikiem istnieje ryzyko obrażeń spowodowanych ruchem urządzenia. Nagły ruch urządzenia może spowodować reakcje wstrząsowe.
3. Zewnętrzna powierzchnia urządzenia może stać się bardzo gorąca podczas regularnej pracy. Upewnić się, że przypadkowe dotknięcie obudowy nie jest możliwe. Przed demontażem, pracami konserwacyjnymi, ładowaniem itp. należy zawsze odczekać, aż urządzenie wystarczająco ostygnie.



UWAGA:

1. Nie instalować ani nie obsługiwać urządzenia w pobliżu grzejników, ogrzewaczy, piekarników oraz innych źródeł ciepła. Należy zadbać o to, aby urządzenie było zawsze zainstalowane w taki sposób, aby było wystarczająco chłodzone i nie mogło się przegrzać.
2. Nie umieszczać źródeł zapłonu, takich jak zapalone świece w pobliżu urządzenia.
3. Nie wolno zakrywać otworów wentylacyjnych i blokować wentylatorów.
4. Do transportu należy używać oryginalnego opakowania lub opakowania dostarczonego przez producenta.



5. Należy unikać wstrząsów lub uderzeń w urządzenie.
6. Należy zwrócić uwagę na stopień ochrony IP, a także warunki otoczenia, takie jak temperatura i wilgotność, zgodnie ze specyfikacją.
7. Urządzenia mogą być stale rozwijane. W przypadku rozbieżności pomiędzy informacjami zawartymi w instrukcji obsługi a informacjami na etykiecie urządzenia, dotyczącymi warunków pracy, wydajności lub innych właściwości urządzenia, pierwszeństwo mają informacje zawarte na urządzeniu.
8. Urządzenie nie nadaje się do pracy w klimacie tropikalnym i na wysokości powyżej 2000 m nad poziomem morza.
9. O ile nie zaznaczono inaczej, urządzenie nie nadaje się do pracy w warunkach morskich.

PRZESTROGA! WAŻNE UWAGI DOTYCZĄCE PRODUKTÓW OŚWIETLENIOWYCH!



1. Urządzenie to należy do urządzeń grupy ryzyka 3. Ryzyko poważnego uszkodzenia skóry i oczu! Proszę nigdy nie patrzeć w źródło światła lub wiązkę światła, nawet przez krótki czas! Nie wolno patrzeć bezpośrednio w lampę za pomocą jakichkolwiek przyrządów optycznych, takich jak lupy lub lornetki! Nie wolno ekspozować skóry na działanie strumienia światła i jego odbić!



2. Nie wolno skupiać wiązek światła na łatwopalnych powierzchniach!



3. Efekty stroboskopowe mogą powodować napady padaczkowe u podatnych osób!



4. W tych urządzeniach oświetleniowych znajdują się wbudowane na stałe źródła światła. Nie mogą one zostać wymieniane przez użytkownika. Źródła światła zawarte w tym urządzeniu oświetleniowym mogą być wymieniane wyłącznie przez producenta, jego partnera serwisowego lub podobnie wykwalifikowaną osobę.



ŚRODKI OCHRONY OSOBISTEJ

Podczas montażu, ustawiania i demontażu urządzenia należy nosić odpowiedni sprzęt ochronny:

- Rękawice ochronne
- Obuwie ochronne
- Okulary ochronne LB4 zgodne z normą EN 207 (muszą być zawsze noszone podczas konfiguracji)



TRANSMISJA SYGNAŁU RADIOWEGO (NA PRZYKŁAD, W-DMX® LUB RADIOWE SYSTEMY AUDIO):

Jakość i wydajność transmisji sygnału bezprzewodowego zasadniczo zależy od warunków otoczenia.

Na zasięg i stabilność sygnału mogą wpływać np. następujące czynniki:

Ekranowanie (np. mur, konstrukcje metalowe, woda)

Duże natężenie ruchu radiowego (np. silne bezprzewodowe sieci LAN)

Zakłócenia

Promieniowanie elektromagnetyczne (np. ekrany wideo LED, ściemniacze)

Wszystkie specyfikacje zasięgu odnoszą się do zastosowań dla wolnego pola widzenia bez zakłóceń!

Działanie systemów transmisji radiowej podlega oficjalnym przepisom. Mogą się one różnić w zależności od regionu i muszą zostać sprawdzone przez operatora przed użyciem (np. częstotliwość radiowa i moc transmisji).



OSTRZEŻENIE: Urządzenia z bezprzewodową transmisją sygnału nie nadają się do użytku w obszarach wrażliwych, w których działanie fal radiowych może prowadzić do potencjalnie szkodliwych interakcji. Należą do nich np:

- Szpitale, ośrodki zdrowia lub inne placówki opieki zdrowotnej, które zapewniają leczenie pacjentów wykwalifikowanym personelem i sprzętem
- Obszary niebezpieczne klasy I, II i III
- Obszary o ograniczonym dostępie
- Obiekty wojskowe
- Samoloty lub pojazdy
- Obszary, w których zabronione jest używanie telefonów komórkowych



TRANSMISJA PRZEZ W-DMX®

PRZESTROGA: Ogólnie rzecz biorąc, bezprzewodowa transmisja DMX nie może być używana do zastosowań związanych z czynnikami bezpieczeństwa, które mogą skutkować obrażeniami ciała lub uszkodzeniem mienia w przypadku awarii.

Dotyczy to w szczególności ruchomych scen lub konstrukcji kratownicowych, silników/podnośników sterowanych przez DMX lub urządzeń podnoszących do obsługi podnośników platformowych sterowanych przez DMX, systemów hydraulicznych lub porównywalnych ruchomych komponentów.

Ponadto, bezprzewodowa transmisja DMX nie może być używana do sterowania urządzeniami generującymi płomień lub pirotechnicznymi, efektami eksplozji lub efektami gazowymi lub płynnymi. Należą do nich armatki CO₂, miotacze konfetti, efekty wodne itp.

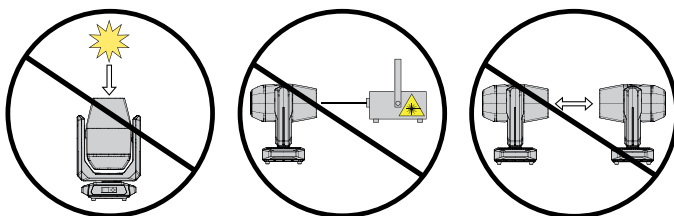


UWAGA: POTENCJALNE USZKODZENIE PRZEZ ZEWNĘTRZNE ŹRÓDŁA ŚWIATŁA!

Promieniowanie słoneczne, promieniowanie laserowe i wiązki światła z innych reflektorów mogą uszkodzić obudowę i elementy wewnętrzne, takie jak filtry, gobo i koła kolorów, silniki, kable, paski itp. oraz źródła światła!

Proszę nie wystawiać urządzenia, a zwłaszcza otworu obiektywu, na bezpośrednie działanie promieni słonecznych, promieniowania laserowego i wiązek światła z innych reflektorów podczas rozpakowywania, instalacji, długotrwałego nieużywania i eksploatacji! Gdy urządzenie nie jest używane, należy zawsze kierować otwór obiektywu w stronę podłoża! W tym celu należy również użyć funkcji Sun Protection, którą można aktywować za pomocą komendy DMX (patrz kanał Device Settings w tabeli DMX). Zintegrowany czujnik żyroskopowy wykrywa orientację urządzenia.

Uszkodzenia spowodowane przez zewnętrzne źródła światła nie są objęte gwarancją producenta!



STREFY BLACKOUT

DMX może być używany do ustawiania stref (obszar oglądania, obszar sceny itp.), w których zaciemnienie jest automatycznie aktywowane, gdy tylko wiązka światła dotrze do strefy za pomocą ruchu pan i tilt. W danym momencie można aktywować tylko jedną z trzech dostępnych stref zaciemnienia.

Ustawianie stref zaciemnienia:

1. Device settings: Wartość 004 - 005 **Enable Savings BO Zone**
2. Zdefiniowanie kwadratu (Blackout Zone) za pomocą opcji **Save Position 1** do **Save Position 4** (wartości obrotu i pochylenia ustawione dla odpowiednich pozycji)
3. Zapisywanie zdefiniowanego kwadratu w strefie za pomocą **Save Positions to Zone A** do **Save Positions to Zone C**
4. Aktywować strefę zaciemnienia za pomocą opcji **Blackout Zone A active** lub **Blackout Zone B active** lub **Blackout Zone C active**

Urządzenie emituje krótki efekt stroboskopowy, aby potwierdzić, że pozycja lub strefa została pomyślnie zapisana.

Po ustawieniu strefy zaciemnienia nie wolno zmieniać położenia urządzenia!

Blackout Zone	000 - 005	Strefa zaciemnienia wyłączona
	006 - 046	Zapisać pozycję 1
	047 - 087	Zapisać pozycję 2
	088 - 108	Zapisać pozycję 3
	109 - 129	Zapisać pozycję 4
	130 - 150	Zapisywanie pozycji w strefie A
	151 - 171	Zapisywanie pozycji w strefie B
	172 - 192	Zapisywanie pozycji w strefie C
	193 - 213	Strefa zaciemnienia A aktywna
	214 - 234	Strefa zaciemnienia B aktywna
235 - 255	Strefa zaciemnienia C aktywna	
Device settings (hold value for 3 seconds)	000 - 003	Brak funkcji
	004 - 005	Aktywowanie zapisywania ustawień strefy BO



UWAGI DOTYCZĄCE PRZEŃOŚNYCH URZĄDZEŃ DO ZASTOSOWAŃ ZEWNĘTRZNYCH

1. Działanie tymczasowe! Sprzęt eventowy jest zazwyczaj przeznaczony wyłącznie do pracy tymczasowej.
2. Ciągła eksploatacja lub stała instalacja strukturalna - szczególnie na zewnątrz - może pogorszyć działanie, powierzchnie i uszczelki oraz spowodować przedwczesne zmęczenie materiału.
3. Uszkodzenie powłoki powierzchniowej może osłabić ochronę antykorozyjną urządzenia. Uszkodzona powłoka powierzchni (np. zadrapania) musi zostać niezwłocznie naprawiona przy użyciu odpowiednich środków.

ZAWARTOŚĆ OPAKOWANIA

Wyjąć produkt z opakowania i usunąć wszystkie materiały opakowaniowe.

Sprawdzić kompletność i nienaruszony stan przesyłki, a jeśli dostawa jest niekompletna lub uszkodzona natychmiast powiadomić sprzedawcę.

Zawartość opakowania produktu obejmuje:

- ▶ 1 × Ruchoma głowica ORON H2
- ▶ 1 × Kabel sieciowy
- ▶ 2 × Uchwyt omega
- ▶ Informacje dotyczące bezpieczeństwa i zgodności (instrukcja obsługi do pobrania za pomocą kodu QR)

FUNKCJE STEROWANIA:

24-, 27- i 33-kanalowe sterowanie DMX

Praca w trybie Master/Slave

Praca w trybie Stand-alone

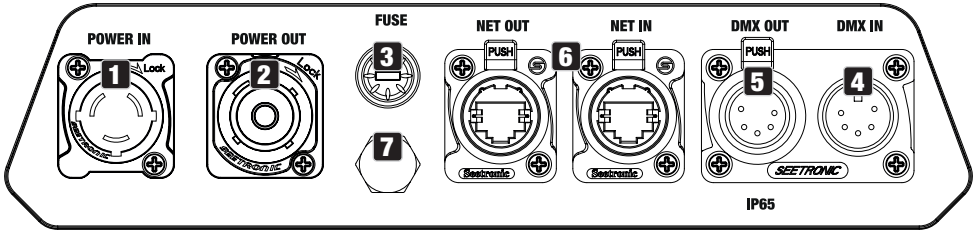
W-DMX®

CECHY:

Stopień ochrony IP65. Silnik oparty o laser fosforowy 260 W. DMX512. Wireless DMX. Art-Net i sACN. 5-pinowe złącza DMX. w zestawie 2× uchwyt montażowy omega. Napięcie robocze: 100 - 240 V AC.

Reflektor obsługuje standard zdalnego zarządzania urządzeniami (RDM). Zdalne zarządzanie urządzeniami pozwala użytkownikowi monitorować stan i konfigurację urządzeń RDM za pomocą kontrolera obsługującego RDM, takiego jak opcjonalnie dostępny Cameo UNICON (numer artykułu CLIREMOTE).

PRZYŁĄCZA, ELEMENTY OBSŁUGI I WSKAŹNIKI



1 POWER IN

Gniazdo wejściowe IP65 z gumową zaślepką. Napięcie robocze 100 - 240 V AC / 50 - 60 Hz. Podłączenie za pomocą dostarczonego kabla zasilającego (gdy urządzenie nie jest używane, gniazdo należy zawsze zamykać gumową zaślepką).

2 POWER OUT

Gniazdo wyjściowe IP65 z gumową zaślepką. Umożliwia zasilanie innych reflektorów CAMEO. Upewnić się, że całkowity pobór prądu przez wszystkie podłączone urządzenia nie przekracza wartości podanej na urządzeniu w amperach (A) (gdy urządzenie nie jest używane, należy zawsze zamykać gumową zaślepką).

3 FUSE

Uchwyt o stopniu ochrony IP65 na bezpieczniki 5 x 20 mm. **WAŻNA UWAGA:** Bezpiecznik należy wymieniać wyłącznie na bezpiecznik tego samego typu i o tej samej wartości. Ostrożnie ponownie zamknąć oprawkę bezpiecznika, aby zapewnić szczelność IP65. W przypadku ponownego zadziałania bezpiecznika należy skontaktować się z autoryzowanym centrum serwisowym.

4 DMX IN

Męskie 5-pinowe gniazdo XLR IP65 do podłączenia urządzenia sterującego DMX (np. konsoli DMX; gdy nie jest używane, należy zawsze zamykać gumową zaślepką).

5 DMX OUT

Żeńskie IP65 5-pinowe gniazdo XLR do przesyłania sygnału sterującego DMX (gdy nie jest używane, należy zawsze zamykać gumową zaślepką).

6 NET IN / OUT

Złącza sieciowe RJ45 do podłączenia do sieci Art-Net lub sACN w celu przekazywania sygnału sterującego (gdy nie są używane, należy je zawsze zabezpieczyć gumową zaślepką). Do konfiguracji sieci należy używać kabli o stopniu ochrony IP65 oraz kabli CAT 5e lub lepszych.

7 ELEMENT WYRÓWNUJĄCY CIŚNIENIE

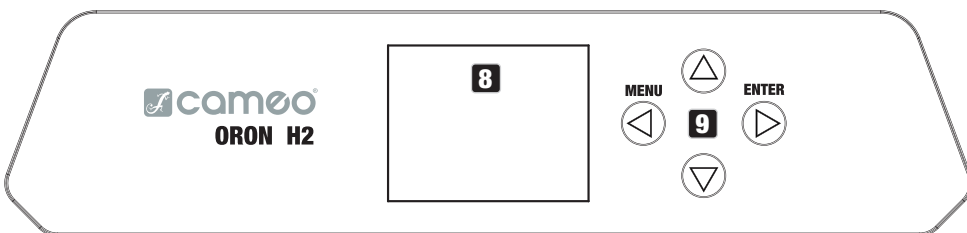
Element wyrównujący ciśnienie zapobiegający kondensacji wewnątrz obudowy. Aby zapewnić prawidłowe działanie, element musi być chroniony przed zabrudzeniami.

ANTENA

Antena do bezprzewodowego sterowania DMX znajduje się wewnątrz podstawy urządzenia.



UWAGA: Aby zapewnić ochronę przed strumieniami wody zgodnie ze stopniem ochrony IP65, specjalne gniazda wejściowe i wyjściowe DMX muszą być używane ze specjalnymi złączami XLR o stopniu ochrony IP65 lub muszą być uszczelnione za pomocą gumowych zaślepek. Po prawidłowym podłączeniu lub po prawidłowym uszczelnieniu gumowymi zaślepkami gniazda POWER IN i POWER OUT są chronione przed strumieniami wody zgodnie z IP65.



8 LC DISPLAY

Wyświetlacz z podświetleniem wskazuje aktualnie włączony tryb (wyświetlacz główny), pozycje menu w menu głównym i podmenu oraz wartość liczbową lub status w niektórych pozycjach menu. Jeśli do urządzenia nie dociera sygnał sterujący, znaki na środku wyświetlacza zaczynają migać; miganie ustaje, gdy tylko dostępny jest sygnał sterujący (W-DMX®, DMX i tryb slave).

9 DOTYKOWE ELEMENTY STERUJĄCE

MENU - Proszę nacisnąć MENU, aby uzyskać dostęp do menu głównego. Proszę nacisnąć ponownie lub kilkakrotnie, aby powrócić do ekranu głównego.

▲ i ▼ – Za pomocą przycisków ▲ i ▼ wybrać pozycje menu w menu głównym (np. adres DMX, tryb pracy) i w podmenu. Zmiana wartości lub stanu pozycji menu, np. adresu DMX.

ENTER – naciśnij ENTER, aby uzyskać dostęp do odpowiedniego poziomu menu w celu dokonania zmian wartości lub stanu oraz w celu uzyskania dostępu do jednego z podmenu. Proszę potwierdzić zmianę wartości lub statusu, naciskając przycisk ENTER.

UWAGA:

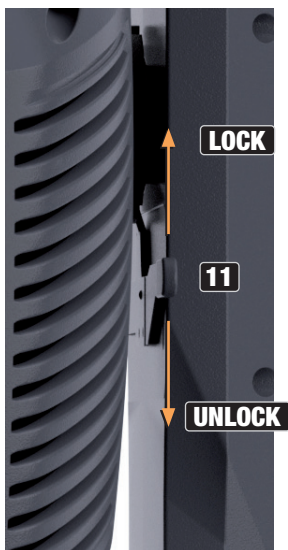
- Przed przejściem do nawigowania w menu urządzenia należy upewnić się, że panel sterowania jest suchy i czysty, aby nie wpływać negatywnie na jego funkcjonalność.
- Wilgoć na panelu sterowania może prowadzić do nieprawidłowego działania reflektora, np. w warunkach zewnętrznych. Dlatego po skonfigurowaniu reflektora należy aktywować funkcję blokady, aby zapobiec nieprawidłowemu działaniu z powodu obecności wody (Settings -> Display -> Autolock). Dezaktywacja funkcji blokady: proszę nacisnąć jednocześnie ▲ i ▼ przez około 5 sekund.



Wyświetlacz zasilany z baterii można aktywować nawet wtedy, gdy urządzenie jest odłączone od sieci zasilającej. Aby to zrobić, proszę nacisnąć i przytrzymać MENU przez około 10 sekund. Teraz mogą Państwo uzyskać dostęp do informacji o urządzeniu oraz zmieniać i zapisywać ustawienia systemowe bez podłączenia do sieci. W tym przypadku zewnętrzne sterowanie oświetleniem nie jest aktywowane. Z tego powodu wyświetlacz pokazuje, że nie ma sygnału sterującego, nawet jeśli urządzenie ma sygnał sterujący.

**10 PAN LOCK**

Mechaniczne urządzenie blokujące używane do zapobiegania obracaniu się głowicy w płaszczyźnie poziomej podczas transportu (osiem możliwych pozycji). Odłącz urządzenie od zasilania i przesunąć dźwignię blokującą w kierunku osi przesuwania, przesuwając głowicę urządzenia poziomo, aż do znalezienia jednej z ośmiu pozycji blokady i zatrzaśnięcia dźwigni blokującej (LOCK). Proszę odblokować blokadę przed uruchomieniem urządzenia (UNLOCK).



11 TILT LOCK

Mechaniczne urządzenie blokujące używane do zapobiegania obracaniu się głowicy w płaszczyźnie pionowej podczas transportu (siedem możliwych pozycji). Odłącz urządzenie od sieci zasilającej i przesunąć dźwignię blokującą w kierunku osi obrotu przechyłu, przesuwając głowicę urządzenia pionowo aż do znalezienia jednej z siedmiu pozycji blokowania i zatrzaśnięcia się dźwigni blokującej (LOCK). Proszę odblokować blokadę przed uruchomieniem urządzenia (UNLOCK).

12 UCHWYTY WPUSZCZANE

oprócz dwóch uchwytów transportowych na podstawie urządzenia, w górnej części wewnętrznych boków dwóch ramion urządzenia znajdują się wygodne uchwyty.



OBSŁUGA

Uwagi

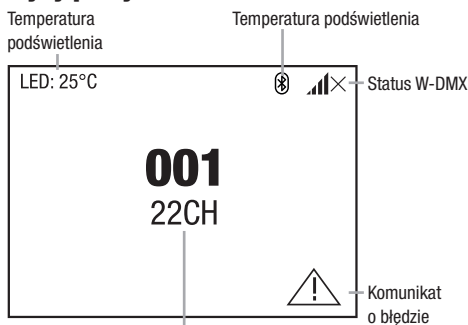
Po prawidłowym podłączeniu reflektora do źródła zasilania, na wyświetlaczu pojawią się komunikaty "Aktualizacja oprogramowania ... proszę czekać", wersja oprogramowania, "Witamy w Cameo" i "... RESET" podczas uruchamiania i resetowania silnika. Po zakończeniu tego procesu reflektor jest gotowy do pracy i uruchamiany jest wcześniej aktywowany tryb pracy.

Główny wyświetlacz jest aktywowany automatycznie, jeśli w ciągu około 30 sekund nie zostanie wprowadzona żadna informacja.

WYŚWIETLACZ GŁÓWNY

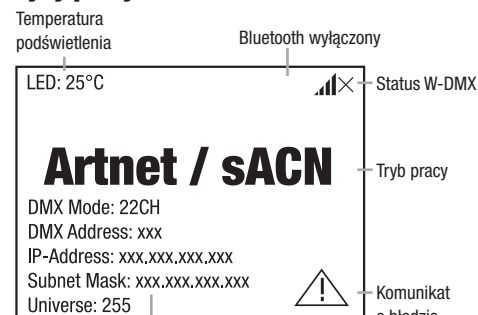
W różnych trybach pracy główny wyświetlacz pokazuje różne informacje, które są istotne dla danego trybu pracy.

Tryby pracy DMX i W-DMX®



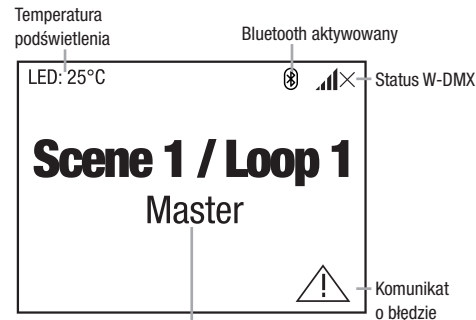
Adres startowy DMX i tryb DMX

Tryby pracy Art-Net i sACN



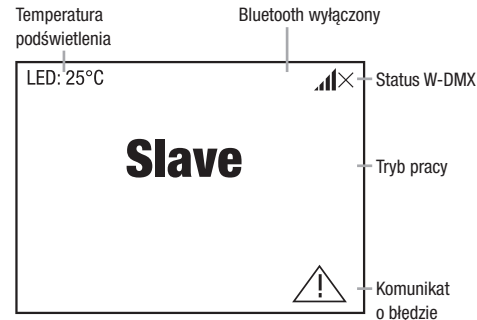
Tryb pracy DMX, adres DMX, adres IP, maska podsięci i universe

Tryb pracy Stand-alone



Scena lub pętla i wyjście sygnału

Tryb pracy Slave



Uwaga na ekranie głównym w trybach pracy ze sterowaniem zewnętrznym: W przypadku przerwania sygnału sterującego znaki na wyświetlaczu zaczynają migać; po ponownym pojawieniu się sygnału sterującego miganie ustaje.

Komunikat o błędzie: Jeśli na wyświetlaczu pojawi się symbol ostrzeżenia (trójkąt z wykrzyknikiem), oznacza to, że wystąpił błąd w jednym lub kilku komponentach urządzenia. Komponenty, w których wystąpił błąd, można sprawdzić w **System Info Menu** w punkcie **Error Info**. Jeśli restart lub reset nie usunie błędu, proszę skontaktować się z autoryzowanym centrum serwisowym.

WIRELESS DMX

Aby sparować bezprzewodowy odbiornik DMX z bezprzewodowym nadajnikiem kompatybilnym z DMX, należy wykonać komendę resetowania w punkcie menu "WDMX" w sekcji "Receiver" (proszę wybrać "Unlink" i potwierdzić). Odbiornik jest teraz gotowy do parowania i oczekuje na żądanie parowania z nadajnika. Rozpocząć parowanie, wybierając "Link" w menu nadajnika i potwierdzając; parowanie odbywa się teraz automatycznie. Równoczesne lub kolejne parowanie kilku odbiorników z nadajnikiem (na przykład do pracy w trybie master/slave) można również wykonać w ten sam sposób. Bezprzewodowe połączenie DMX jest zawsze utrzymywane do momentu jego rozłączenia za pomocą komendy reset w odbiorniku lub komendy unlink w nadajniku, niezależnie od tego, czy urządzenie zostało w międzyczasie odłączone od zasilania.

WIRELESS DMX STATUS

					
W-DMX® wyłączony	W-DMX® aktywowany jako odbiornik; nie sparowany	W-DMX® aktywowany jako odbiornik i sparowany; nadajnik wyłączony lub poza zasięgiem	W-DMX® aktywowany jako odbiornik i sparowany; brak sygnału DMX	W-DMX® aktywowany jako odbiornik i sparowany; sygnał DMX obecny	W-DMX® aktywowany jako nadajnik

MENU STEROWANIA (Control)

Menu „Control” służy do wybierania różnych trybów pracy i ustawiania ich opcji w odpowiednich podmenu.

USTAWIANIE ADRESU STARTOWEGO DMX (DMX Address)

Zaczynając od ekranu głównego, proszę nacisnąć MENU, aby uzyskać dostęp do menu głównego. Korzystając z ▲ i ▼, wybierz menu **Control** i naciśnij ENTER. Teraz proszę wybrać pozycję menu **DMX Address** i ponownie potwierdzić. Proszę zastosować ▲ i ▼, aby ustawić żądaną wartość i proszę nacisnąć ENTER, aby potwierdzić.

Main Menu
Control
Settings
Service
System Info

Control
DMX Address
DMX Mode
Network
Stand Alone
Slave

DMX Address
001

USTAWIANIE TRYBU PRACY DMX (DMX Mode)

Zaczynając od ekranu głównego, proszę nacisnąć MENU, aby uzyskać dostęp do menu głównego. Korzystając z ▲ i ▼, wybierz menu **Control** i naciśnij ENTER. Teraz proszę wybrać pozycję menu

DMX Mode i ponownie potwierdzić. Korzystając z ▲ i ▼, wybierz żądany tryb pracy DMX i naciśnij ENTER aby potwierdzić. Tabele DMX z przypisaniami kanałów można znaleźć w sekcji DMX CONTROL niniejszej instrukcji obsługi.

Main Menu
Control
Settings
Service
System Info

Control
DMX Address
DMX Mode
Network
Stand Alone
Slave

DMX Mode
24CH Basic
27CH Standard
33CH Extended

USTAWIENIA SIECIOWE (Network)

Zaczynając od ekranu głównego, proszę nacisnąć MENU, aby uzyskać dostęp do menu głównego. Korzystając z ▲ i ▼, wybierz menu **Control** i naciśnij ENTER. Teraz wybrać menu **Network** (Sieć) i ponownie potwierdzić.

Main Menu
Control
Settings
Service
System Info

Control
DMX Address
DMX Mode
Network
Stand Alone
Slave

Network
Protocol
Universe
IP Address
Subnet Mask
Signal Routing

Informacje o pozycjach podmenu dostępnych w menu „Network” (Sieć) i odpowiadających im opcjach ustawień można znaleźć w poniższej tabeli (do wyboru za pomocą przycisków ▲ i ▼, potwierdź za pomocą ENTER, zmień wartość lub stan za pomocą przycisków ▲ i ▼, potwierdź za pomocą ENTER).

Network Art-Net			
Protocol	Artnet	Sterowanie przez Art-Net	
	sACN	Sterowanie przez sACN	
Universe	Absolute Univ.	Ustawienie obszaru absolutnego Art-Net universe	Zależy od sieci, podsieci i obszaru universe
	Net	Ustawienie sieci Art-Net	
	Subnet	Ustawienie podsieci Art-Net	Zależny od „absolute universe”
	Universe	Ustawienie obszaru Art-Net universe	
IP Address	xxx.xxx.xxx.xxx	Ustawianie adresu IP: Ustaw pierwszy blok, potwierdź, ustaw drugi blok, potwierdź.	

Subnet Mask	xxx.xxx.xxx.xxx	Ustawianie maski podsieci: Ustaw pierwszy blok, potwierdź, ustaw drugi blok, potwierdź.
Signal Routing	Send to XLR	Przekazywanie sygnału sterującego do wyjścia XLR
	Backup by XLR	Sterowanie przez XLR z przerwaniem sygnału sieciowego
	Receive only	Brak połączenia między sygnałem sieci a złączami XLR

Network sACN		
Protocol	Artnet	Sterowanie przez Art-Net
	sACN	Sterowanie przez sACN
Universe		Ustawianie obszaru sACN universe
IP Address	xxx.xxx.xxx.xxx	Ustawianie adresu IP: Ustaw pierwszy blok, potwierdź, ustaw drugi blok, potwierdź.
Subnet Mask	xxx.xxx.xxx.xxx	Ustawianie maski podsieci: Ustaw pierwszy blok, potwierdź, ustaw drugi blok, potwierdź.
Signal Routing	Send to XLR	Przekazywanie sygnału sterującego do wyjścia XLR
	Backup by XLR	Sterowanie przez XLR z przerwaniem sygnału sieciowego
	Receive only	Brak połączenia między sygnałem sieci a złączami XLR

MENU STAND-ALONE (Stand Alone)

W samodzielnych trybach pracy „Play Scene” i „Play Loop” sygnał sterujący odpowiedniego trybu pracy może być wysyłany do jednostek podrzędnych poprzez złącze XLR (Master/Alone -> Master). Jeśli nie chcą Państwo wysyłać sygnału sterującego, należy dezaktywować wyjście (Master/Alone -> Alone).

Proszę aktywować jedną z ośmiu dostępnych scen (Scene 1 - 8) lub jedną z ośmiu dostępnych pętli (Loop 1 - 8). Sceny i pętle są wstępnie zaprogramowane, ale można je dostosować (Edytuj scenę/Edytuj pętlę).

Zaczynając od ekranu głównego, proszę nacisnąć MENU, aby uzyskać dostęp do menu głównego. Korzystając z ▲ i ▼ proszę wybrać menu **Control** i potwierdzić przyciskiem ENTER. Teraz proszę wybrać pozycję menu **Stand Alone** i ponownie potwierdzić.

Main Menu
Control
Settings
Service
System Info

Control
DMX Address
DMX Mode
Network
Stand Alone
Slave

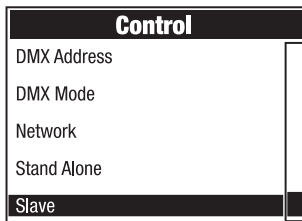
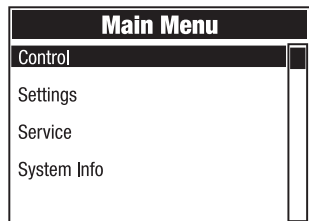
Stand Alone
Master/Alone
Play Scene/Loop
Edit Scene
Edit Loop
Enable Full Power

Informacje o pozycjach podmenu dostępnych w menu „Stand-alone” (Tryb samodzielny) i odpowiadających im opcjach ustawień można znaleźć w poniższej tabeli (do wyboru za pomocą przycisków ▲ i ▼, potwierdź za pomocą ENTER, zmień wartość lub stan za pomocą przycisków ▲ i ▼, potwierdź za pomocą ENTER).

Tryb Stand alone				
Master/Alone	Master	Sygnał sterujący jest przesyłany przez wyjście DMX OUT		
	Alone	Sygnał sterujący nie jest przekazywany		
Play Scene/ Loop	Scene	Scene 1 - 8	Wybór i aktywacja żądanej sceny	
	Loop	Loop 1 - 8	Wybór i aktywacja żądanej pętli	
Edit Scene	Scene 1 - 8	Pan	Proszę ustawić każdą scenę indywidualnie. Sceny są aktywowane poprzez ich wybranie.	
		Tilt		
		Dimmer		
		...		
Edit Loop	Loop 1 - 8	Step	1 - 8	Wybór kroku 1-8
		t-Step	0s - 20min	Ustawienie czasu kroku
		t-Fade	0s - 20 min	Ustawienie czasu zanikania
		User Scene	1 - 8	Wybór sceny 1-8
		Skip Step	No / Yes	Pominięcie kroku: Nie/Tak
Enable Full Power	Safety Check OK	Przed włączeniem pełnej mocy należy upewnić się, że w zasięgu wiązki światła nie znajdują się żadne osoby (kontrola bezpieczeństwa)! Gdy aktywowany jest inny tryb pracy, tryb pełnej mocy Full Power jest automatycznie dezaktywowany.		
	Back	Proszę NIE włączać trybu pełnej mocy bez sprawdzenia bezpieczeństwa! Proszę nacisnąć "Back"!		

TRYB SLAVE (Slave)

Zaczynając od ekranu głównego, proszę nacisnąć MENU, aby uzyskać dostęp do menu głównego. Korzystając z ▲ and ▼ proszę wybrać menu **Control** i potwierdzić przyciskiem ENTER. Teraz proszę wybrać pozycję menu **Slave** i ponownie potwierdzić. Proszę aktywować wyjście sygnału sterującego w urządzeniu głównym (Control -> Stand Alone -> Master/Alone -> Master). Proszę połączyć urządzenia podrzędne i nadrzędne (ten sam model, ta sama wersja oprogramowania) za pomocą kabla DMX lub poprzez W-DMX® i aktywować autonomiczny tryb pracy „Play Scene” lub „Play Loop” w jednostce nadrzędnej. Jednostka podrzędna będzie teraz podążać za jednostką nadrzędną.



USTAWIENIA SYSTEMOWE (Settings)

Zaczynając od ekranu głównego, proszę nacisnąć MENU, aby uzyskać dostęp do menu głównego. Korzystając z ▲ and ▼ proszę wybrać menu **Settings** i potwierdzić przyciskiem ENTER.

Main Menu	
Control	
Settings	
Service	
System Info	

Settings	
Wireless	
Display	
Dimmer	
Movement	
Wheels	
Sun Protection	
Fan	
Signal Fail	
Store Default	

Informacje o pozycjach podmenu dostępnych w menu ustawień i odpowiadających im opcjach ustawień można znaleźć w poniższej tabeli (do wyboru za pomocą przycisków ▲ i ▼, potwierdź za pomocą ENTER, zmień wartość lub stan za pomocą przycisków ▲ i ▼, potwierdź za pomocą ENTER).

Settings (pogrubione = ustawienie fabryczne)					
Wireless	Ustawienia bezprzewodowe	State	On	Moduł bezprzewodowy aktywowany	
			Off	Moduł bezprzewodowy dezaktywowany	
		Operating Mode	RX	Moduł bezprzewodowy = odbiornik	
			TX CRMX	Moduł bezprzewodowy = nadajnik ze standardowym nadajnikiem CRMX	
			TX G3	Moduł bezprzewodowy = nadajnik ze standardowym nadajnikiem G3	
			TX G4s	Moduł bezprzewodowy = nadajnik ze standardowym nadajnikiem G4s	
		Linking	Unlink	Odłączenie wszystkich połączeń bezprzewodowego DMX i ustawienie w trybie gotowości do parowania	
		Linking	Link/Force to pair	Parowanie z kompatybilnymi, gotowymi do sparowania urządzeniami bezprzewodowymi	
		Linking Key	Linking Key	Ustawienie klucza połączenia	
			CRMX Mode (dostępne tylko w trybie pracy = RX)	CRMX	Standard odbiornika = CRMX
				CRMX2	Standard odbiornika = CRMX2
		Universe Metadata	CRMX Universe	A - H	Wybór uniwersum CRMX od A do H
			RGB Colour Code	Red, Orange, Yellow, Green, Cyan, Blue, Purple, White	Kod RGB do wyświetlania kolorów uniwersum
Universe Name	16-znakowy ciąg znaków z konfigurowalną nazwą identyfikującą uniwersum				

Wireless	Ustawienia bezprzewodowe	Bluetooth	State	On	Bluetooth włączony
				Off	Bluetooth wyłączony
			Pin	On	Żądanie kodu PIN włączone (ustawienie fabryczne 081569)
			Off	Żądanie kodu PIN wyłączony	
		Signal Routing	Send to XLR	Przekazywanie sygnału sterującego na XLR (DMX OUT)	
			Backup by XLR	Sterowanie poprzez XLR (DMX IN) z przerwaniem sygnału bezprzewodowego	
Receive only	Brak połączenia między sygnałem bezprzewodowego DMX a złączami XLR				
Display	Ustawienia wyświetlacza	Reverse	On	Obrót wyświetlacza o 180° (np. w przypadku montażu podwieszanego)	
			Off	Brak rotacji wyświetlacza	
			Auto	Automatyczne wykrywanie położenia (montaż w pozycji pionowej/nad głową)	
		Off Timer	Always On	Stale włączony	
			Off after 20s	Dezaktywacja po około 20 sekundach braku aktywności	
		Autolock	On after 60s	Blokada elementów sterujących po ok. 60 sekundach bez wprowadzania danych (LOCKED). Odblokowanie: Nacisnąć jednocześnie UP i DOWN przez ok. 5 sekund.	
			Off	Funkcja automatycznej blokady wyłączona	
Dimmer	Ustawienia ściemniacza	Curve	Linear	Intensywność światła wzrasta liniowo wraz z wartością DMX	
			Exponential	Intensywność światła może być precyzyjnie regulowana przy niższych wartościach DMX i szeroko regulowana przy wyższych wartościach DMX	
			Logarithmic	Intensywność światła można regulować w szerokim zakresie przy niższych wartościach DMX i precyzyjnie przy wyższych wartościach DMX	

Dimmer	Ustawienia ściemniacza	Curve	S-Curve	Intensywność światła może być precyzyjnie regulowana przy niższych i wyższych wartościach DMX i szeroko regulowana przy średnich wartościach DMX	
		PWM Frequency	650 Hz, 1530 Hz, 3600 Hz, 12 kHz, 18.9 kHz, 25 kHz	Wybrać częstotliwość LED PWM	
		Response	Light Source	Reflektor natychmiast reaguje na zmiany wartości DMX	
Halogen	Reflektor zachowuje się podobnie do reflektora halogenowego ze stopniowymi zmianami jasności				
Movement	Ustawienia ruchów głowy	Pan Reverse	On	Odwrócony kierunek obrotu	
			Off	Kierunek obrotu nie jest odwrócony	
		Tilt Reverse	On	Odwrócony kierunek pochylenia	
			Off	Kierunek pochylenia nie jest odwrócony	
		Pan Angle	540°	Kąt obrotu 540°	
			630°	Kąt obrotu 630°	
		Position Feedback	On	Automatyczna korekta położenia włączona	
			Off	Automatyczna korekta położenia wyłączona	
		Move in Black	On	Zaciemnienie podczas ruchu głowy	
Off	Brak zaciemnienia podczas ruchu głowy				
Silent Movement	On	Spowolnione ruchy silnika dla zapewnienia cichszej pracy			
	Off	Funkcja nieaktywna			
Wheels	Ustawienia gobo i koła kolorów	Gobo Wheel	Position	Clockwise	Koło gobo zawsze obraca się zgodnie z ruchem wskazówek zegara
				Shortest Way	Koło gobo obraca się na najkrótszą odległość
		Movement	Snap	Koło gobo przeskakuje bezpośrednio z powrotem dożądanego gobosu po osiągnięciu odpowiedniej wartości	
			Scroll	Ciągły obrót tarcz gobo	

Wheels	Ustawienia gobo i koła kolorów	Color Wheel	Position	Clockwise	Koło gobo zawsze obraca się zgodnie z ruchem wskazówek zegara
				Shortest Way	Koło gobo obraca się na najkrótszą odległość
			Movement	Snap	Tarcza kolorów przeskakuje bezpośrednio z powrotem dożądanego filtra kolorów po osiągnięciu odpowiedniej wartości
				Scroll	Ciągły obrót tarczy kolorów
		Move in Black	On	Zaciemnienie w przypadku zmian wartości w kołach barw i gobo	
			Off	Brak zaciemnienia w przypadku zmian wartości w kołach barw i gobo	
Sun Protection	Funkcja ochronna dla komponentów wewnętrznych	On	Aktywuje zaciemnienie, a głowica urządzenia jest skierowana w dół		
		Off	Funkcja nieaktywna		
Fan	Ustawienie wentylatora	Auto	Automatyczne sterowanie wentylatorem		
		Off	Dezaktywowany wentylator ze znacznie zmniejszoną jasnością		
		Constant Low	Stała niska prędkość wentylatora ze zmniejszoną jasnością, jeśli to konieczne		
		Constant Mid	Stała średnia prędkość wentylatora ze zmniejszoną jasnością, jeśli to konieczne		
		Constant High	Stała wysoka prędkość wentylatora		
Signal Fail	Status operacyjny z błędem sygnału DMX	Hold	Zachowywane jest ostatnie polecenie		
		Last Stand Alone	Aktywowany jest ostatnio wybrany tryb pracy autonomicznej		
		Fade to Black (10s)	10-sekundowe zanikanie do zaciemnienia		
		Blackout	Aktywuje zaciemnienie		
		Sun Protection	Aktywuje zaciemnienie, a głowica urządzenia jest skierowana w dół		

Store Default	Zapisywanie ustawień w 3 włączonych ustawieniach wstępnym	User A	Zapisuje wszystkie bieżące ustawienia jako ustawienia użytkownika A
		User B	Zapisuje wszystkie bieżące ustawienia jako ustawienia użytkownika B
		User C	Zapisuje wszystkie bieżące ustawienia jako ustawienia użytkownika C

MENU SERWISOWE (Service)

Zaczynając od ekranu głównego, proszę nacisnąć MENU, aby uzyskać dostęp do menu głównego. Korzystając z ▲ i ▼ proszę wybrać menu **Service** i potwierdzić przyciskiem ENTER.

Main Menu	Service
Control	Load Default
Settings	Reset
Service	Test
System Info	Reset Service Timer
	Password

Informacje o pozycjach podmenu dostępnych w menu „Service” i odpowiadających im opcjach można znaleźć w poniższej tabeli (do wyboru za pomocą przycisków ▲ i ▼, potwierdź za pomocą ENTER, zmień wartość lub stan za pomocą przycisków ▲ i ▼, potwierdź za pomocą ENTER).

Service		
Load Default	Factory Default	Reset do ustawień fabrycznych
	User A	Przywrócenie wartości użytkownika A (zapisanie wartości użytkownika: Settings -> Set Default)
	User B	Przywrócenie wartości użytkownika B (zapisanie wartości użytkownika: Settings -> Set Default)
	User C	Przywrócenie wartości użytkownika C (zapisanie wartości użytkownika: Settings -> Set Default)
Reset	Pan/Tilt	Resetowanie silników obrotu / pochylenia
	Head	Resetowanie silników w głowicy urządzenia
	All	Resetowanie wszystkich silników
Test	Test Sequence	Wstępnie zaprogramowana sekwencja do testowania wszystkich komponentów
	Stress Test	Wstępnie zaprogramowana sekwencja do testowania wszystkich komponentów pod maksymalnym obciążeniem

Test	Motor Test	Aktywacja wszystkich silników indywidualnie z wartościami od 000 do 255
Reset Service Timer	No	Nie resetuj czasu pracy serwisowej
	Yes	Resetowanie serwisowego czasu pracy
Password	Wyłącznie do celów serwisowych	

INFORMACJE O SYSTEMIE (System info)

Zaczynając od ekranu głównego, proszę nacisnąć MENU, aby uzyskać dostęp do menu głównego. Korzystając z ▲ i ▼ proszę wybrać menu **System Info** i potwierdzić przyciskiem ENTER.

Main Menu	System Info
Control	Firmware
Settings	Wireless
Service	Temperature
System Info	Fan Speed
	Runtime
	MAC Address
	RDM UID
	DMX Values
	Error Info
	DMX Table

Informacje o pozycjach podmenu dostępnych w menu „System Info” (Informacje o systemie) i odpowiadających im opcjach można znaleźć w poniższej tabeli (do wyboru za pomocą przycisków ▲ i ▼, potwierdź za pomocą ENTER).

System info			
Firmware	DISP	Vx.x.x	Wyświetla wersję oprogramowania sprzętowego odpowiedniego komponentu
	CTR1-Motor	Vx.x.x	
	...	Vx.x.x	
Wireless	Module	TimoTwo	Model modułu bezprzewodowego
	Device Name	CLORONH2-xxxx	Nazwa urządzenia
	Version	HW (Hardware)	Numer wersji sprzętu
		SW (Software)	Numer wersji oprogramowania
	Link Quality	%	Jakość połączenia w procentach
Status	Data Source	None / DMX / Wireless Link / SPI / BLE	Informacje o źródle danych
		Operational: DMX Data: RDM Identify: RF Link: Link State:	Wskazanie statusu

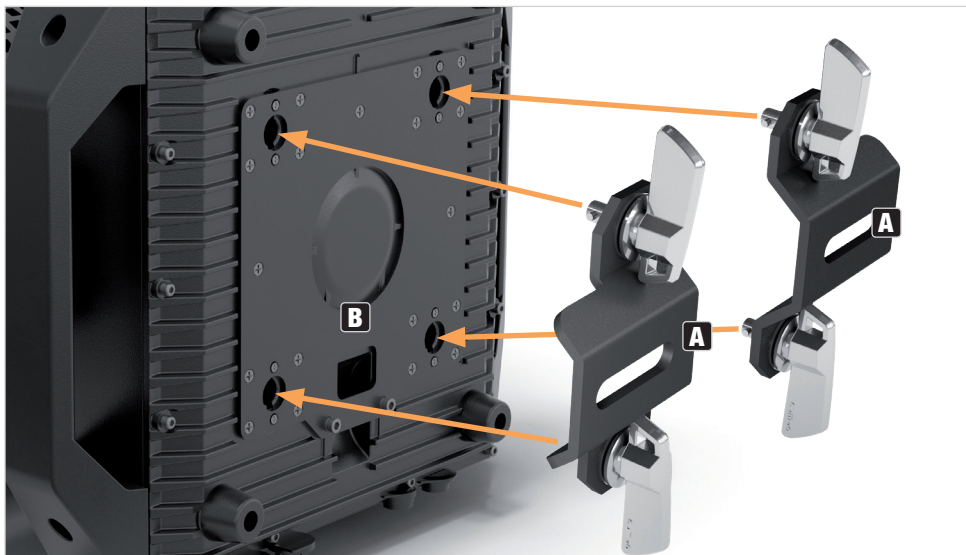
Temperature	Light Source	xxx °C/°F	Wyświetla temperaturę odpowiedniego komponentu
	Base	xxx °C/°F	
	Temperature Unit	°C °F	Ustawienie jednostki temperatury (proszę nacisnąć ENTER, aby zmienić)
Fan Speed	xxxx RPM	Wyświetlanie prędkości odpowiedniego wentylatora	
Runtime	Total	xxxx h : xx m	Całkowity czas pracy
	Operation	xxxx h : xx m	Czas użytkowania
	Light Source	xxxx h : xx m	Czas pracy lampy
	Service	xxxx h : xx m	Czas pracy od ostatniego serwisowego zresetowania czasu pracy
MAC Address	xx:xx:xx:xx:xx:xx	Adres MAC	
RDM UID	Unikalny identyfikator RDM		
DMX Values	Wyświetlanie obecnych wartości DMX		
Error Info	Wyświetlanie błędów w przypadku awarii		
DMX Table	Wyświetlanie tabel trybów DMX		

KONFIGURACJA I INSTALACJA

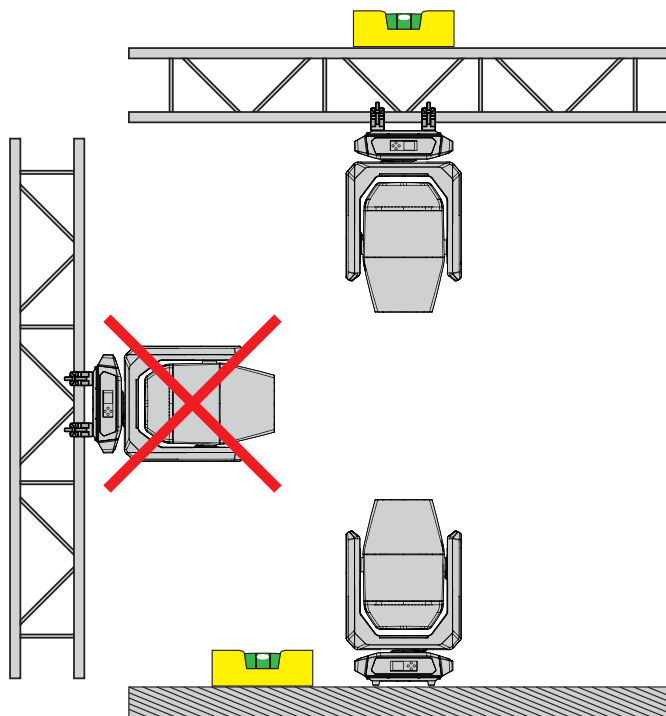


NIEBEZPIECZEŃSTWO: Montaż podwieszany wymaga dużego doświadczenia, w tym obliczania wartości granicznych obciążenia sprzętu montażowego i regularnej kontroli bezpieczeństwa wszystkich materiałów instalacyjnych i reflektorów. Jeśli nie posiadają Państwo takich kwalifikacji, proszę nie podejmować prób samodzielnej instalacji. Należy zwrócić się do wykwalifikowanego specjalisty. Istnieje ryzyko, że nieprawidłowo zainstalowane i zabezpieczone urządzenia mogą się poluzować i spaść. Może to spowodować poważne obrażenia lub śmierć.

Dzięki zintegrowanym gumowym nóżkom reflektor można umieścić w odpowiednim miejscu na równej powierzchni. Można go zamontować na kratownicy za pomocą dwóch wsporników Omega, które są przymocowane do podstawy urządzenia (A). Dwa wsporniki omega znajdują się w zawartości opakowania. Odpowiednie zaciski kratownicowe są dostępne jako opcja. Upewnij się, że połączenia są trwałe i przymocuj lampkę do uchwyty zabezpieczającego (B) za pomocą odpowiedniej linki zabezpieczającej.



POZYCJA UŻYTKOWANIA



PIELĘGNACJA, KONSERWACJA I NAPRAWA

Aby zapewnić długotrwałe i prawidłowe działanie urządzenia, należy je regularnie czyścić i w razie potrzeby serwisować. Potrzeba przeprowadzania konserwacji zależy od intensywności użytkownika i środowiska, w którym urządzenie jest używane. Zalecamy kontrolę wzrokową przed każdym uruchomieniem. Ponadto zalecamy przeprowadzanie wszystkich wymienionych poniżej czynności konserwacyjnych raz na 500 godzin pracy lub, w przypadku mniejszej intensywności użytkownika, najpóźniej po roku. Roszczenia gwarancyjne mogą być ograniczone, jeśli wady wynikają z nieodpowiedniego serwisu i konserwacji.



OSTRZEŻENIE! Przed przystąpieniem do jakichkolwiek czynności konserwacyjnych należy odłączyć zasilanie i, jeśli to możliwe, wszystkie połączenia urządzenia.



UWAGA! Niewłaściwa pielęgnacja może doprowadzić do uszkodzenia lub nawet zniszczenia urządzenia.

1. Powierzchnie obudowy należy czyścić czystą, wilgotną szmatką. Proszę upewnić się, że do urządzenia nie przedostanie się wilgoć.
2. Wloty i wyloty powietrza muszą być regularnie czyszczone z kurzu i brudu. Jeśli używane jest sprężone powietrze, należy upewnić się, że urządzenie nie zostanie uszkodzone (np. wentylatory muszą być zablokowane, ponieważ w przeciwnym razie mogą się nadmiernie obracać).
3. Kable i złącza muszą być regularnie czyszczone, a kurz i brud usuwane.
4. Zasadniczo nie wolno stosować żadnych środków czyszczących ani ściernych, w przeciwnym razie wykończenie powierzchni może zostać uszkodzone.
5. Urządzenia muszą być przechowywane w suchym miejscu i chronione przed kurzem i brudem.
6. Aby zapewnić prawidłowe i bezpieczne działanie, wszystkie dostępne lub wyjmowane soczewki i otwory emitujące światło muszą być regularnie czyszczone.

KONSERWACJA I NAPRAWA (tylko przez wykwalifikowany personel)



NIEBEZPIECZEŃSTWO! W urządzeniu znajdują się elementy pod napięciem. Nawet po odłączeniu od sieci, w urządzeniu może nadal występować napięcie szczytkowe, np. z powodu naładowanych kondensatorów.



UWAGA! Prace konserwacyjne i naprawcze mogą być wykonywane wyłącznie przez odpowiednio wykwalifikowany personel. W razie wątpliwości proszę skonsultować się ze specjalistycznym serwisem.



UWAGA! Nieprawidłowo wykonane prace konserwacyjne mogą mieć wpływ na roszczenia gwarancyjne.



UWAGA! W przypadku zestawów do konwersji lub modernizacji dostarczonych przez producenta, należy bezwzględnie przestrzegać dołączonych instrukcji montażu.

WYMIARY(mm)

ENGLISH

DEUTSCH

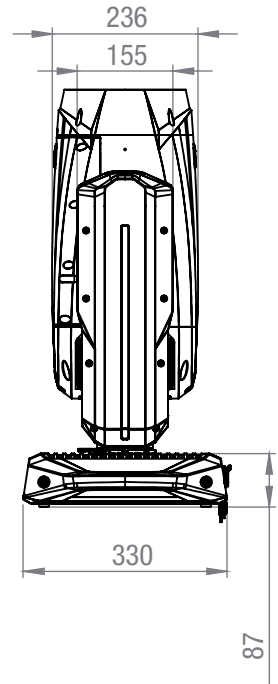
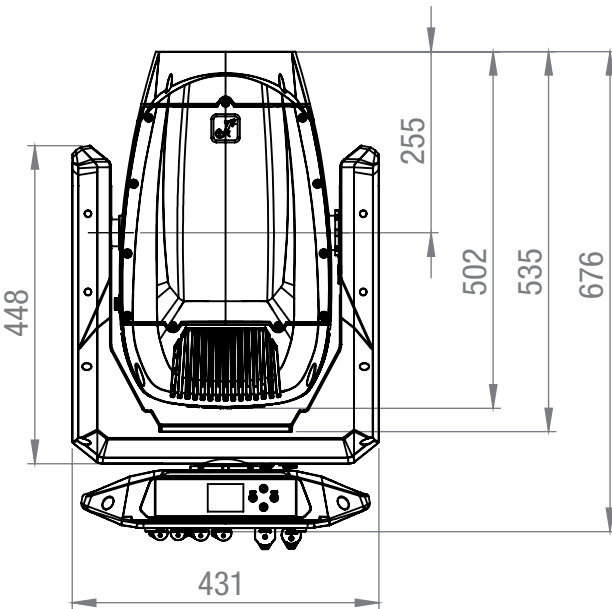
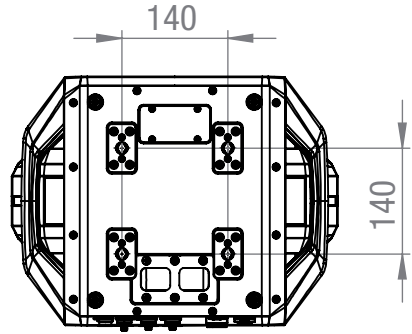
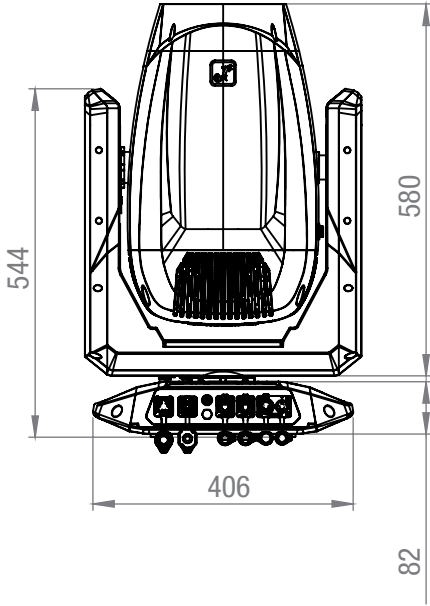
FRANCAIS

ESPAÑOL

POLSKI

ITALIANO

DMX



DANE TECHNICZNE

Nr art.:	CLORONH2
Typ produktu:	GŁOWICA RUCHOMA IP65 OPARTA O LASER FOSFOROWY
Typ:	Głowica ruchoma
Źródło QTY:	1
Źródło światła	Silnik oparty o laser fosforowy 260 W
Minimalna żywotność źródła światła (L70):	>12,000 h (Żywotność zdefiniowana jako czas do 70%/L70)
Temperatura barwowa (źródło światła):	8000 K
Temperatura barwowa (na wyjściu):	6500 K
Mieszanie kolorów:	CMY + CTO
Koło CTO:	3000 K–6500 K
CRI:	68 (natywny) >85 z filtrem o wysokim CRI
Koło barw:	19 + pozycjonowanie otwarte i ciągłe
Stałe koło gobo:	19 stałych + 1 otwarte
Obrotowe koło gobo:	12 obrotowych + 1 otwarte
Efekty:	2× poziomy pryzmatów (nakładanie się) z 7× efektami (1. warstwa: 5× pryzmaty; 2. warstwa: 1× pryzmat, owalizator + 3× filtr frost (lekki/średni/ciężki)
Kąt wiązki:	0.6°–32°
Kąt obrotu PAN:	Regulowany: 630°/540°
Kąt pochylenia TILT:	270°
Wejście DMX:	5-pinowy XLR męski IP65
Wyjście DMX:	5-pinowy XLR żeński IP65
Tryby DMX:	24-CH podstawowy, 27-CH standardowy, 33-CH rozszerzony
Funkcje DMX:	Pan/tilt, pan/tilt fine, dimmer, dimmer fine, strobo, cyan, cyan fine, magenta, magenta fine, yellow, yellow fine, linear CTO, color wheel, fixed gobo wheel, rotatng gobo wheel, zoom, zoom fine, focus, focus fine, prism, prism rotation, frost, animation wheel
Funkcje w trybie Stand-alone:	Odtwarzanie sceny; odtwarzanie pętli

ENGLISH

DEUTSCH

FRANCAIS

ESPAÑOL

POLSKI

ITALIANO

DMX

Ustawienia urządzenia:

Odwracanie wyświetlacza, włączanie/wyłączenie podświetlenia wyświetlacza, błąd sygnału, odwracanie obrotu, odwracanie pochylenia, sprzężenie zwrotne, przesuwanie w czerni, test, reset, domyślne ustawienia użytkownika, funkcje zaciemnienia, przewijanie/przeciąganie kółka koloru/gobo, automatyczna blokada, prędkość obrotu/pochylenia, domyślne ustawienia lampy, tryby wentylatora, ochrona przeciwślepienna, tryb uśpienia

PWM:	650 Hz, 1530 Hz, 3600 Hz, 12 kHz, 18.9 kHz, 25 kHz
Krzywe ściemniania:	Liniowa; wykładnicza; logarytmiczna; krzywa-S
Stroboskop	1 Hz–20 Hz
Kontrola:	DMX, RDM, Art-Net, sACN, WDMX/CRMX
Elementy sterujące:	4 przyciski nawigowania: MENU; ENTER; UP; DOWN
Wyświetlacz:	Podświetlany 2" wyświetlacz TFT
Napięcie robocze:	100 - 240 V AC / 50 - 60Hz
Prąd rozruchowy:	13 A / 1 ms @ 230 V (pierwszy półcykl)
Klasa ochrony:	1
Ochrona przed przepięciami:	>6000 V
Bezpiecznik	6,3 A / 250 V
Pobór mocy:	460 W
Natężenie oświetlenia:	330000 lx @ 20 m @ 0,6°
Złącze zasilania:	Wejście i wyjście Seetronic IP65
Stopień ochrony IP:	IP65
Temperatura otoczenia podczas pracy:	-20°C –40°C
Materiał obudowy:	Magnalium
Kolor obudowy:	Czarny
Chłodzenie:	Wentylatory kontrolowane temperaturowo
Minimalna odległość od oświetlonej powierzchni:	25 m
Minimalna odległość od normalnie łatwopalnych materiałów:	0,1 m
Grupa ryzyka:	RG3
Niebezpieczna odległość:	∞, Nigdy nie kieruj wiązki na osoby
Średnica obiektywu:	178 mm

Wymiary (szer. x wys. x dł.):	Zobacz rysunek
Waga:	32 kg
Pozostałe funkcje:	Kabel zasilający 1 m z Seetronic IP65 wtyczka i 2 wsporniki montażowe Omega (CLOMEGA-BRACKET5) w zestawie
Akcesoria (opcjonalne):	Wkład SIP z pianki EPP

WYJAŚNIENIE KLASY OCHRONY IP

1. Stopień ochrony IP odzwierciedla jedynie ochronę przed ciałami stałymi i wodą. Nie opisuje ogólnej odporności na warunki atmosferyczne, takiej jak ochrona przed promieniowaniem UV i temperaturą.

2. Pierwsza cyfra identyfikacyjna oznacza ochronę przed pyłem, ciałami stałymi i kontaktem:

IP2X	Ochrona przed ciałami stałymi o średnicy $\geq 12,5$ mm
IP3X	Ochrona przed ciałami stałymi o średnicy $\geq 2,5$ mm
IP4X	Ochrona przed ciałami stałymi o średnicy $\geq 1,0$ mm
IP5X	Chronione przed pyłem w szkodliwych ilościach i całkowicie chronione przed kontaktem
IP6X	Są pyłoszczelne i całkowicie zabezpieczone przed kontaktem

3. Druga cyfra oznacza ochronę przed wodą:

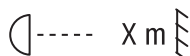
IPX0	Brak ochrony
IPX1	Ochrona przed kapiącą wodą
IPX2	Ochrona przed kapiącą wodą, gdy urządzenie jest przechylone o maksymalnie 15°
IPX3	Ochrona przed spadającym strumieniem wody do 60° od pionu
IPX4	Ochrona przed bryzgami wody ze wszystkich stron
IPX5	Ochrona przed strumieniem wody (dysza) pod dowolnym kątem
IPX6	Ochrona przed silnymi strumieniami wody
IPX7	Ochrona przed tymczasowym zanurzeniem

4. Ponadto, niektóre środki specyficzne dla urządzenia, takie jak osłony i zaślepki uszczelniające, są niezbędne do osiągnięcia określonej klasy ochrony (np. zaślepki ochronne na nieużywanych połączeniach).



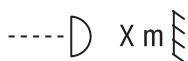
Stopień ochrony IP produktu można znaleźć w specyfikacji technicznej i jest wydrukowany na urządzeniu.

MINIMALNA ODLEGŁOŚĆ OD OŚWIETLANEJ POWIERZCHNI



Ten symbol z odległością podaną w metrach (m) oznacza minimalną odległość oprawy oświetleniowej od oświetlanej powierzchni. Wartość obowiązująca dla tego urządzenia znajduje się w danych technicznych niniejszej instrukcji i jest nadrukowana na urządzeniu!

MINIMALNA ODLEGŁOŚĆ OD NORMALNIE ŁATWOPALNYCH MATERIAŁÓW



Ten symbol z odległością podaną w metrach (m) wskazuje minimalną odległość urządzenia od normalnie łatwopalnych materiałów. Wartość obowiązująca dla tego urządzenia znajduje się w danych technicznych niniejszej instrukcji!

UTYLIZACJA



OPAKOWANIE:

1. Opakowanie można poddać recyklingowi przy użyciu zwykłych metod utylizacji.
2. Prosimy o oddzielenie opakowania zgodnie z przepisami dotyczącymi utylizacji i recyklingu obowiązującymi w danym kraju.



URZĄDZENIE:

1. Niniejsze urządzenie podlega europejskiej dyrektywie w sprawie zużytego sprzętu elektrycznego elektronicznego, z późniejszymi zmianami. Dyrektywa WEEE Zużyty Sprzęt Elektryczny i Elektroniczny. Zużyty sprzęt nie należy do odpadów domowych. Zużyte urządzenie lub baterie należy zutylizować za pośrednictwem autoryzowanej firmy zajmującej się utylizacją odpadów lub zakładu utylizacji odpadów komunalnych. Należy przestrzegać odpowiednich przepisów obowiązujących w Państwie kraju!
2. Należy przestrzegać wszystkich przepisów dotyczących utylizacji obowiązujących w Państwie kraju.
3. Jako klient prywatny, informacje na temat przyjaznych dla środowiska możliwości utylizacji można uzyskać od sprzedawcy produktu lub od odpowiednich organów na miejscu.

DEKLARACJE PRODUCENTA

GWARANCJA PRODUCENTA I OGRANICZENIE ODPOWIEDZIALNOŚCI

Adam Hall GmbH | Adam-Hall-Str.1 | 61267 Neu-Anspach | Niemcy

E-mail: info@adamhall.com / +49 (0)6081 / 9419-0

Nasze aktualne warunki gwarancji i ograniczenia odpowiedzialności można znaleźć na stronie:

https://cdn-shop.adamhall.com/media/pdf/Manufacturers-Declarations-CAMEO_DE_EN_ES_FR.pdf

W sprawie zgłoszeń serwisowych prosimy kontaktować się ze sprzedawcą.

Zgodność z CE

Adam Hall GmbH niniejszym potwierdza, że niniejszy produkt spełnia następujące wytyczne (w stosownych przypadkach):

Dyrektywa niskonapięciowa (2014/35/EU)

Dyrektywa EMC (2014/30/EU)

RoHS (2011/65/EU)

RED (2014/53/EU)

Deklaracja zgodności EC

Deklaracje zgodności dla produktów podlegających dyrektywie LVD, EMC, RoHS można zamówić pod adresem info@adamhall.com

Deklaracje zgodności dla produktów podlegających RED można pobrać ze strony www.adamhall.com/compliance/

Zastrzega się możliwość wystąpienia błędów w druku i pomyłek, a także zmian technicznych i innych!

ENGLISH

DEUTSCH

FRANCAIS

ESPAÑOL

POLSKI

ITALIANO

DMX

OTTIMA SCELTA!

Questo dispositivo è stato sviluppato e prodotto secondo i più alti standard di qualità, per garantire molti anni di funzionamento senza problemi. Leggere attentamente questo Manuale di istruzioni per iniziare rapidamente a utilizzare al meglio il prodotto Cameo Light. Ulteriori informazioni su Cameo Light sono disponibili sul nostro sito web **CAMEOLIGHT.COM**

INFORMAZIONI SU QUESTO MANUALE DI ISTRUZIONI

- Prima di utilizzare il dispositivo, leggere attentamente le istruzioni di sicurezza e l'intero manuale.
- Rispettare le avvertenze riportate sul dispositivo e nel manuale d'istruzioni.
- Tenere sempre a portata di mano il manuale d'istruzioni.
- Se si vende o si cede il dispositivo, è importante accludere anche questo manuale d'istruzioni perché è parte integrante del prodotto.

USO PREVISTO

Questo prodotto è un dispositivo per la tecnologia degli eventi.

Questo prodotto è stato sviluppato per l'uso professionale nel campo della tecnologia degli eventi e non è adatto per l'illuminazione domestica e in aree residenziali.

Il dispositivo non deve essere utilizzato per illuminare le persone!

È dovere dell'operatore accertarsi che nessuna persona sia esposta al fascio di luce o ai suoi riflessi. Funzionamento temporaneo! Le apparecchiature per eventi sono progettate solo per uso temporaneo e non devono essere utilizzate di continuo o in installazioni fisse! Questo prodotto, inoltre, è destinato esclusivamente a utenti qualificati e con conoscenze specialistiche in materia di tecnologia degli eventi,

Utilizzare il prodotto senza attenersi ai dati tecnici e alle condizioni di esercizio specificate si considera uso improprio.

È esclusa la responsabilità per danni e danni causati da terzi a persone e cose per uso improprio. Il prodotto non è adatto a:

- Bambini (i bambini devono essere istruiti a non giocare con l'apparecchio).
- Persone con ridotte capacità fisiche, sensoriali o mentali o con mancanza di esperienza e conoscenza.

SPIEGAZIONI DI TERMINI E SIMBOLI

1. **PERICOLO:** la parola PERICOLO, eventualmente abbinata a un simbolo, indica situazioni o condizioni di pericolo imminente per la vita e l'incolumità delle persone.
2. **AVVERTENZA:** la parola AVVERTENZA, eventualmente abbinata a un simbolo, indica situazioni o condizioni potenzialmente pericolose per la vita e l'incolumità delle persone.
3. **CAUTELA:** la parola CAUTELA, eventualmente abbinata a un simbolo, viene utilizzata per indicare situazioni o condizioni che possono provocare lesioni.
4. **ATTENZIONE** la parola ATTENZIONE, eventualmente abbinata a un simbolo, indica situazioni o condizioni che possono causare danni alle cose e/o all'ambiente.



Questo simbolo identifica pericoli che possono causare scosse elettriche.



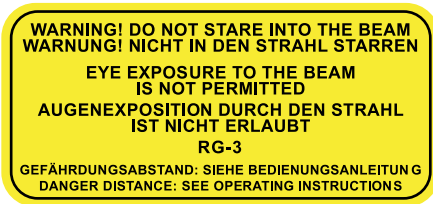
Questo simbolo identifica aree o situazioni pericolose.



Questo simbolo indica pericoli causati da superfici calde.



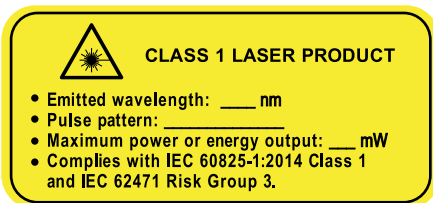
Questo simbolo indica che non si deve guardare o fissare la sorgente luminosa.



Questo simbolo indica che sorgenti luminose intense classificate come gruppo di rischio 3 possono causare danni alla pelle o agli occhi.



Questo simbolo indica la direzione di uscita di luce potenzialmente pericolosa emessa dalla presa di corrente.



Questo simbolo indica che il prodotto è un dispositivo del gruppo di rischio 3 conforme alle norme IEC 62471 e IEC 60825-01:2014.



Questo simbolo indica rischio di schiacciamento.



Questo simbolo indica fonti luminose intense.



Questo simbolo indica che il prodotto non ha parti riparabili. Solo il personale autorizzato può eseguire interventi di manutenzione o assistenza.



Questo simbolo indica informazioni aggiuntive sul funzionamento del prodotto.



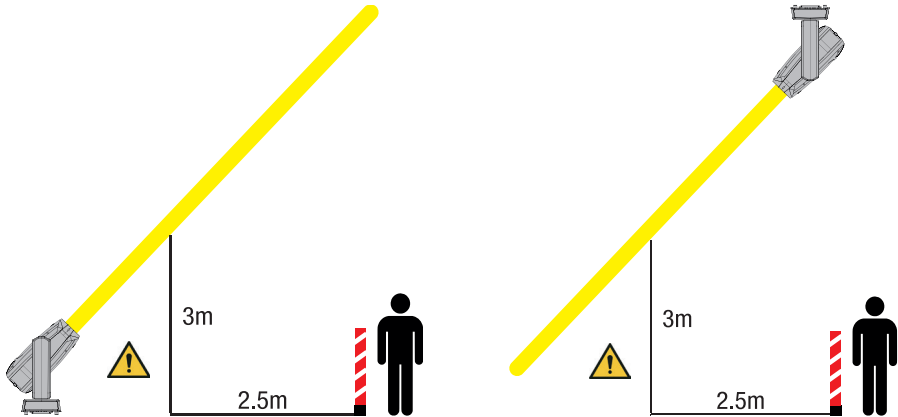
ZONA DI PERICOLO

Per i dispositivi del gruppo di rischio 3, la zona di pericolo si riferisce all'area in cui la radiazione ottica costituisce un rischio significativo per la salute. Quest'area è contrassegnata dal simbolo di avvertimento nell'immagine seguente.

Radiazione ottica

Rischio di gravi lesioni oculari o di cecità

1. Verificare che dalla zona di pericolo ci sia una distanza orizzontale minima di 2,5 metri e una distanza verticale di almeno 3 metri.
2. Verificare che nessuna persona possa entrare nella zona di pericolo. La zona di pericolo deve essere delimitata da barriere.



ISTRUZIONI DI SICUREZZA



AVVERTENZA! Radiazione ottica

Rischio di gravi lesioni oculari o di cecità

1. Il dispositivo è destinato esclusivamente a creare effetti di luce nell'aria.
2. Non utilizzare il dispositivo per illuminare le persone. Non è adatto all'uso in aree residenziali.
3. È dovere dell'operatore accertarsi che nessuna persona sia esposta al fascio di luce o ai suoi riflessi.



PERICOLO

1. Non aprire il dispositivo e non effettuare modifiche.
2. Se il dispositivo non funziona più correttamente, se liquidi o oggetti sono penetrati al suo interno o se è stato danneggiato in qualsiasi altro modo, spegnerlo immediatamente e staccarlo dall'alimentazione di rete. Il dispositivo può essere riparato unicamente da tecnici autorizzati alla riparazione.
3. Per i dispositivi di classe di protezione 1, il conduttore di protezione deve essere collegato correttamente. Non scollegare mai il conduttore di protezione. I dispositivi della classe di protezione 2 non hanno il conduttore di protezione.
4. Verificare che i cavi sotto tensione non siano piegati o riportino altri danni meccanici.
5. Non bypassare mai il fusibile del dispositivo.



AVVERTENZA

1. Il dispositivo non deve essere utilizzato se presenta evidenti segni di danneggiamento.
2. Il dispositivo può essere installato solo se a tensione zero.
3. Non mettere in funzione il dispositivo se il cavo di rete dello stesso è danneggiato.
4. I cavi di alimentazione fissi possono essere sostituiti solo da una persona qualificata.



ATTENZIONE

1. Non utilizzare il dispositivo se è stato esposto a forti oscillazioni di temperatura (ad esempio, dopo il trasporto). L'umidità e la condensazione potrebbero danneggiare il dispositivo. Accendere il dispositivo solo quando ha raggiunto la temperatura ambiente.
2. Verificare che la tensione e la frequenza dell'alimentazione di rete corrispondano ai valori indicati sul dispositivo. Se il dispositivo è dotato di un selettore di tensione, non collegare il dispositivo finché non è impostato correttamente. Usare solo cavi di alimentazione adatti.
3. Per scollegare il dispositivo dalla rete elettrica su tutti i poli, non basta premere l'interruttore di accensione/spegnimento del dispositivo.
4. Verificare che il fusibile utilizzato corrisponda al tipo indicato sul dispositivo.
5. Accertarsi che siano state adottate misure appropriate contro gli sbalzi di tensione (per es. fulmini).
6. Attenersi alla corrente di uscita massima specificata sui dispositivi con connessione Power Out (potenza in uscita). Assicurarsi che il consumo totale di corrente di tutti i dispositivi collegati non superi il valore specificato.
7. Sostituire i cavi di rete collegabili solo con cavi originali.



PERICOLO

1. Pericolo di soffocamento! I sacchetti di plastica e le parti minute devono essere tenuti fuori dalla portata di persone (compresi i bambini) con ridotte capacità fisiche, sensoriali o mentali.
2. Pericolo da caduta del dispositivo! Assicurarsi che il dispositivo sia installato in modo sicuro e non possa cadere. Utilizzare solo stativi o supporti adatti (in particolare per le installazioni fisse). Assicurarsi che gli accessori siano installati e fissati correttamente. Rispettare le norme di sicurezza applicabili.



AVVERTENZA

1. Usare il dispositivo solo per lo scopo per cui è previsto.
2. Utilizzare il dispositivo solo con gli accessori raccomandati e previsti dal produttore.
3. Durante l'installazione, osservare le norme di sicurezza vigenti nel proprio Paese.
4. Dopo aver collegato l'unità, controllare tutti i percorsi dei cavi per evitare danni o incidenti, ad esempio per il rischio di inciampare.
5. Rispettare sempre la distanza minima dai materiali normalmente infiammabili specificata! Se non esplicitamente indicato, la distanza minima è di 0,3 metri.
6. Rispettare sempre la distanza minima dalla superficie illuminata indicata sul dispositivo.



CAUTELA

1. I componenti mobili, come le staffe di montaggio o altri componenti amovibili, possono incepparsi.
2. Nel caso di dispositivi dotati di componenti a motore, sussiste il rischio di lesioni provocate dal movimento del dispositivo. Il movimento improvviso del dispositivo può provocare shock.
3. La superficie esterna del dispositivo può diventare molto calda durante il normale funzionamento. Accertarsi che non sia possibile toccare l'alloggiamento accidentalmente. Attendere sempre che il dispositivo si sia raffreddato a sufficienza prima di rimuoverlo, sottoporlo a manutenzione, ricaricarlo ecc.



ATTENZIONE

1. Non installare o far funzionare l'apparecchio vicino a radiatori, termosifoni, stufe o altre fonti di calore. Assicurarsi sempre che il dispositivo sia installato in modo che possa raffreddarsi a sufficienza e non si surriscaldi.
2. Non collocare vicino al dispositivo fonti di accensione come candele accese.
3. Le aperture di ventilazione non devono essere coperte e le ventole non devono essere bloccate.
4. Utilizzare l'imballaggio originale o l'imballaggio fornito dal produttore per il trasporto.
5. Evitare urti o colpi al dispositivo.
6. Rispettare la classe di protezione IP e le condizioni ambientali, come temperatura e umidità, indicate nelle specifiche.
7. I dispositivi possono essere ulteriormente perfezionati. In caso di discrepanza delle informazioni inerenti alle condizioni di esercizio, alle prestazioni o ad altre caratteristiche del dispositivo, tra il manuale d'istruzioni e l'etichettatura sul dispositivo, hanno sempre la priorità le informazioni sul dispositivo.
8. L'unità non è adatta ai climi tropicali e al funzionamento sopra i 2000 metri sul livello del mare.
9. Se non esplicitamente indicato, il dispositivo non è adatto al funzionamento in ambiente marino.

CAUTELA! NOTE IMPORTANTI SUI PRODOTTI DI ILLUMINAZIONE



1. Questo è un dispositivo della classe di rischio 3. Rischio di gravi danni alla pelle e agli occhi! Non guardare mai direttamente la sorgente luminosa o il fascio di luce, nemmeno per breve tempo. Non guardare direttamente nella lampada con strumenti ottici, come lenti d'ingrandimento o binocoli. Non esporre la pelle al fascio di luce o ai suoi riflessi.



2. Non puntare il fascio di luce su superfici infiammabili!



3. In persone sensibili, gli effetti stroboscopici possono causare crisi epilettiche.



4. In questi dispositivi di illuminazione sono montate lampade fisse che non possono essere sostituite dall'utente. Le lampade di questa sorgente luminosa possono essere sostituite solo dal fabbricante, dal suo partner di assistenza o da una persona con analoga qualifica.



DISPOSITIVI DI PROTEZIONE INDIVIDUALE

Durante il montaggio, l'installazione e lo smontaggio del dispositivo, indossare dispositivi di protezione adeguati:

- Guanti protettivi
- Calzature di sicurezza
- Occhiali di sicurezza LB4 conformi alla norma EN 207 (devono essere sempre indossati durante l'installazione)



TRASMISSIONE DI SEGNALI VIA RADIO

(AD ESEMPIO, SISTEMI RADIO W-DMX® O AUDIO):

La qualità e la performance delle trasmissioni di segnali wireless generalmente dipendono dalle condizioni ambientali.

Sulla portata e sulla stabilità del segnale possono influire i seguenti fattori, per esempio: Schermatura (come muratura, strutture metalliche, acqua)

Volume di traffico radio elevato (come reti LAN wireless potenti)

Interferenza

Radiazioni elettromagnetiche (come schermi video a LED, dimmer)

Tutte le specifiche della portata si riferiscono ad applicazioni in campo libero con visuale in linea retta senza interferenze.

Il funzionamento dei sistemi di trasmissione radio è soggetto a regolamenti ufficiali.

Tali regolamenti possono variare da una regione all'altra e devono essere verificati dall'operatore prima dell'uso (per es. radiofrequenza e potenza di trasmissione).



AVVERTENZA: i dispositivi con trasmissione del segnale wireless non sono adatti all'utilizzo in zone sensibili dove il funzionamento via radio può causare effetti potenzialmente dannosi. Queste zone includono:

- Ospedali, centri sanitari o altre strutture sanitarie che forniscono trattamenti ai pazienti con personale e attrezzature qualificate.
- Zone pericolose di classe I, II e III
- Zone ad accesso ristretto
- Strutture militari
- Aerei o veicoli
- Aree in cui è vietato l'uso di telefoni cellulari



TRASMISSIONE VIA W-DMX®

AVVERTENZA: in generale, la trasmissione DMX wireless non deve essere utilizzata per applicazioni che comportano fattori rilevanti per la sicurezza e che, in caso di guasto, potrebbero causare lesioni alle persone o danni alle cose.

Questo vale in particolare per le scenografie mobili o le travature, per motori o elevatori comandati tramite DMX, per i dispositivi di sollevamento di ascensori da palcoscenico azionati via DMX, per sistemi idraulici o analoghi componenti mobili.

La trasmissione DMX wireless non deve essere utilizzata per controllare dispositivi a fiamma, dispositivi pirotecnici, effetti a rischio di esplosione, effetti a gas o liquidi, quali cannoni CO₂, spara-coriandoli giochi d'acqua o simili.

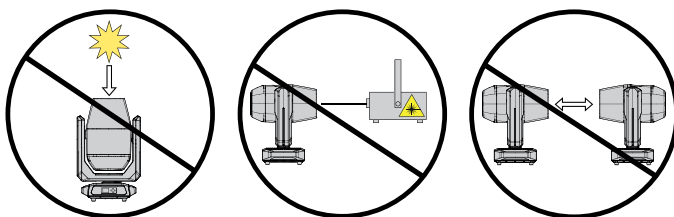


ATTENZIONE! POTENZIALI DANNI DA FONTI DI LUCE ESTERNE!

Le radiazioni solari, le radiazioni laser e i fasci di luce di altri fari possono danneggiare l'alloggiamento e i componenti interni, come filtri, gobo e ruote di colori, motori, cavi, cinghie, ma anche le sorgenti luminose.

Non esporre il dispositivo, e in particolare l'apertura delle lenti, alla luce solare diretta, alle radiazioni laser e ai fasci di luce di altri fari, né quando viene disimballato, installato e utilizzato, né in caso di non utilizzo prolungato. Quando non è in uso, puntare sempre l'apertura della lente verso terra. In questo caso è anche possibile utilizzare la funzione "Sun Protection", che può essere attivata con il comando DMX (v. canale "Device Settings" nella tabella DMX). Un sensore giroscopio integrato rileva l'orientamento del dispositivo.

I danni causati da fonti di luce esterne sono esclusi dalla garanzia del produttore!





ZONE DI OSCURAMENTO

Il DMX può essere utilizzato per configurare delle zone (area di visione del pubblico, area palcoscenico ecc.) in cui l'oscuramento si attiva automaticamente non appena il fascio di luce raggiunge quella zona con il giro orizzontale (PAN) e verticale (TILT). È possibile attivare solo una delle tre zone di oscuramento disponibili alla volta.

Impostazione delle zone di oscuramento:

1. Device Settings: valore 004-005 **Enable Savings BO Zone**
2. Definire quadrato (zona di oscuramento) con le funzioni da **Save Position 1** a **Save Position 4** (i valori PAN e TILT impostati per le rispettive posizioni)
3. Salvare un quadrato definito in una zona con le funzioni da **Save Positions to Zone A** a **Save Positions to Zone C**
4. Attivare la zona di oscuramento con le funzioni **Blackout Zone A active**, **Blackout Zone B active** o **Blackout Zone C active**

Per confermare che una posizione o una zona è stata salvata correttamente, il dispositivo emette un breve effetto stroboscopico.

Una volta configurata una zona di oscuramento, la posizione del dispositivo non deve più essere modificata!

Blackout Zone	000	–	005	Zona di oscuramento disattivata
	006	–	046	Save Position 1
	047	–	087	Save Position 2
	088	–	108	Save Position 3
	109	–	129	Save Position 4
	130	–	150	Save Positions to Zone A
	151	–	171	Save Positions to Zone B
	172	–	192	Save Positions to Zone C
	193	–	213	Blackout Zone A active
	214	–	234	Blackout Zone B active
	235	–	255	Blackout Zone C active
Device settings (hold value for 3 seconds)	000	–	003	Nessuna funzione
	004	–	005	Enable Savings BO Zone



NOTE SUI DISPOSITIVI PORTATILI PER ESTERNI

1. Funzionamento temporaneo! Le attrezzature per eventi sono generalmente progettate solo per il funzionamento temporaneo.
2. Il funzionamento continuo o l'installazione strutturale permanente (soprattutto all'aperto) possono pregiudicare il funzionamento, le superfici e le guarnizioni, e causare il precoce affaticamento del materiale.
3. I danni al rivestimento superficiale possono compromettere la protezione anticorrosione del dispositivo. Il rivestimento della superficie danneggiato (per esempio da graffi) deve essere riparato tempestivamente con interventi adeguati.

CONTENUTO DELL'IMBALLAGGIO

Estrarre il prodotto dalla confezione ed eliminare tutto il materiale di imballaggio.

Controllare che la consegna sia completa e intatta, e informare il partner di distribuzione immediatamente dopo l'acquisto se non è completa o è danneggiata.

Il contenuto della confezione del prodotto comprende:

- ▶ 1 × Testa mobile ORON H2
- ▶ 1 × Cavo di rete
- ▶ 2 × Staffe Omega
- ▶ Informazioni su conformità e sicurezza (manuale di istruzioni scaricabile con codice QR)

FUNZIONI DI CONTROLLO

Comando DMX a 24, 27 e 33 canali

Funzionamento master/slave

Funzionamento stand-alone

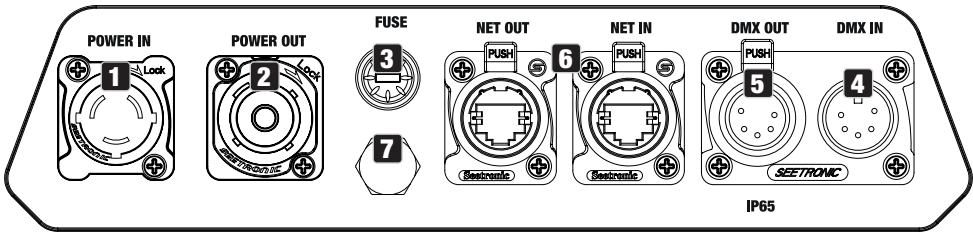
W-DMX®

CARATTERISTICHE

Classe di protezione IP65. Motore fosforo-laser da 260 W. DMX512. DMX wireless. Art-Net e sACN. Connessioni DMX a 5 poli. 2 staffe di fissaggio Omega in dotazione. Tensione di esercizio: 100-240 V CA.

Il faro è conforme allo standard RDM (Remote Device Management, gestione remota dei dispositivi). La funzione RDM consente di monitorare lo stato e la configurazione dei dispositivi RDM mediante un controller compatibile con RDM, per esempio il Cameo UNICON, disponibile come optional (codice articolo CLIREMOTE).

CONNESSIONI, ELEMENTI DI COMANDO E DI VISUALIZZAZIONE



1 POWER IN

Presa di ingresso di rete IP65 con coperchio ermetico in gomma. Tensione di esercizio 100-240 V CA/50-60 Hz. Collegamento con cavo di rete in dotazione (chiudere sempre con il tappo in gomma quando non si usa).

2 POWER OUT

Presa di uscita di rete IP65 con coperchio ermetico in gomma. Consente di alimentare altri fari CAMEO. Assicurarsi che il consumo totale di corrente di tutti i dispositivi collegati non superi il valore specificato in ampere (A) riportato sul dispositivo (chiudere sempre con il coperchio in gomma quando non si usa).

3 FUSIBILI

Portafusibili IP65 per fusibili 5 × 20 mm. **NOTA IMPORTANTE:** sostituire il fusibile solo con un fusibile dello stesso tipo e con gli stessi valori. Richiudere con cura il portafusibili per garantire l'ermeticità IP65. In caso di guasti ripetuti ai fusibili, rivolgersi a un centro di assistenza autorizzato.

4 DMX IN

Presa XLR maschio IP65 a 5 poli per il collegamento di un dispositivo di comando DMX (come una console DMX. Chiudere sempre con il tappo in gomma quando non si usa).

5 DMX OUT

Presa XLR femmina IP65 a 5 poli per l'invio del segnale di comando DMX (come una console DMX. Chiudere sempre con il tappo in gomma quando non si usa).

6 NET IN / OUT

Conessioni di rete RJ45 per il collegamento a una rete Art-Net o sACN e per l'inoltro del segnale di comando (chiudere sempre con il tappo in gomma quando non si usano). Usare cavi con protezione IP65 e CAT 5e o migliori per configurare la rete.

7 ELEMENTO DI EQUALIZZAZIONE DELLA PRESSIONE

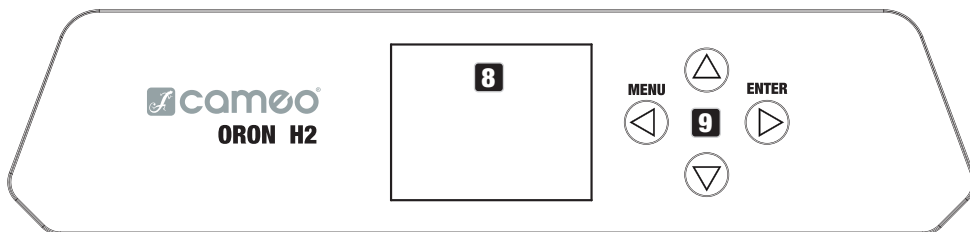
L'elemento di equalizzazione della pressione impedisce la formazione di condensa nell'alloggiamento. Per garantirne il corretto funzionamento, questo componente deve essere protetto dallo sporco.

ANTENNA

L'antenna per il comando DMX wireless si trova alla base del dispositivo.



ATTENZIONE: per proteggerle dagli spruzzi d'acqua in conformità alla classe di protezione IP65, le speciali prese di ingresso e di uscita DMX devono essere utilizzate insieme ad appositi connettori XLR con grado di protezione IP65, oppure devono essere chiuse con tappi in gomma. Quando sono collegate correttamente oppure chiuse correttamente con i coperchi ermetici in gomma, le prese di rete POWER IN e POWER OUT sono protette dagli spruzzi d'acqua in conformità alla normativa IP65.



8 DISPLAY LCD

Il display illuminato mostra la modalità operativa in uso (display principale), le voci del menu principale e dei sottomenu e il valore numerico o lo stato di alcune voci di menu. In assenza del segnale di comando al dispositivo, i caratteri al centro del display iniziano a lampeggiare; il lampeggiamento si interrompe non appena il segnale di comando è disponibile (funzionamento W-DMX®, DMX e slave).

9 CAMPI DI COMANDO A SFIORAMENTO

MENU – Premere MENU per accedere al menu principale. Premere di nuovo o ripetutamente per tornare al display principale.

▲ e ▼ – Usare ▲ e ▼ per selezionare le voci del menu principale (per es. indirizzo DMX, modalità operativa) e dei sottomenu. Modificare il valore o lo stato di una voce di menu, per esempio l'indirizzo DMX.

ENTER – Premere ENTER per accedere al livello del menu e modificare il valore o lo stato, e per accedere a un sottomenu. Confermare le modifiche al valore o allo stato premendo ENTER.

NOTA BENE

- Prima di passare al menu del dispositivo, verificare che il pannello di controllo sia asciutto e pulito per non comprometterne il funzionamento.
- La presenza di umidità sul pannello di controllo può pregiudicare il funzionamento del faro, per esempio in esterni. Dopo aver configurato il faro, attivare quindi la funzione di blocco per evitare malfunzionamenti causati dall'acqua (Settings -> Display -> Autolock). Per disattivare la funzione di blocco, Premere contemporaneamente ▲ e ▼ per circa 5 secondi.

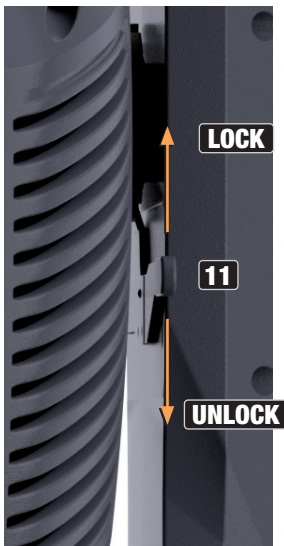


Il display a batteria può essere attivato anche se il dispositivo è staccato dalla rete elettrica. Per procedere, tenere premuto MENU per circa 10 secondi. Ora è possibile accedere alle informazioni del dispositivo per modificare e salvare le impostazioni del sistema senza collegamento alla rete elettrica. Il controllo esterno del faro in questo caso non si attiva, perciò il display indica assenza di segnale di comando anche se sul dispositivo un segnale di comando è effettivamente disponibile.



10 BLOCCO PAN

Dispositivo di blocco meccanico utilizzato per impedire alla testa di ruotare in senso orizzontale durante il trasporto (sono possibili otto posizioni). Staccare il dispositivo dalla rete elettrica e scorrere la leva di bloccaggio verso l'asse di rotazione PAN muovendo la testa del dispositivo in orizzontale fino a quando trova una delle otto posizioni di bloccaggio e la leva di bloccaggio si innesta. Sbloccare il dispositivo di blocco prima di mettere in funzione l'apparecchio (UNLOCK).



11 BLOCCO TILT

Dispositivo di blocco meccanico utilizzato per impedire alla testa di ruotare in senso verticale durante il trasporto (sono possibili sette posizioni). Staccare il dispositivo dalla rete elettrica e scorrere la leva di bloccaggio verso l'asse di rotazione PAN muovendo la testa del dispositivo in verticale fino a quando trova una delle sette posizioni di bloccaggio e la leva di bloccaggio si innesta (LOCK). Sbloccare il dispositivo di blocco prima di mettere in funzione l'apparecchio (UNLOCK).

12 IMPUGNATURE A INCASSO

Oltre alle due maniglie di trasporto alla base, il dispositivo ha pratiche impugnature incassate in alto, all'interno dei due bracci.



FUNZIONAMENTO

Note

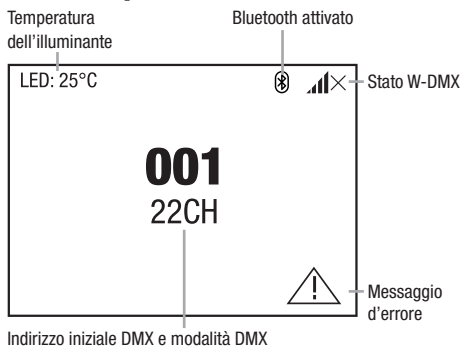
Quando l'apparecchio è correttamente collegato alla rete elettrica, durante la procedura di avvio e il reset del motore sul display appaiono il messaggio "Software Update ... please wait", la versione del software e i messaggi "Welcome to Cameo" e "... RESET". Al termine della procedura, il faro è pronto per essere usato e si avvia la modalità operativa attivata in precedenza.

Il display principale si attiva automaticamente se entro circa 30 secondi non vengono effettuati inserimenti.

DISPLAY PRINCIPALE

Il display principale mostra informazioni diverse, secondo la modalità operativa pertinente.

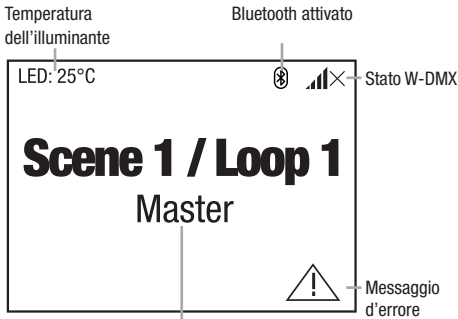
Modalità operative DMX e W-DMX®



Modalità operative Art-Net e sACN

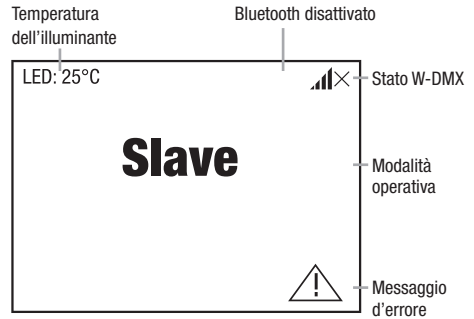


Modalità operativa Stand Alone



Scena o loop e uscita del segnale

Modalità operativa Slave



Nota sul display principale nelle modalità operative con comando esterno: non appena il segnale di comando si interrompe, i caratteri al centro del display iniziano a lampeggiare e smettono non appena è presente un segnale di comando.

Messaggio d'errore: se sul display appare il simbolo di avvertenza (triangolo con punto esclamativo), significa che in uno o più componenti del dispositivo c'è un errore. I componenti interessati possono essere visualizzati nel menu **System Info** alla voce **Error Info**. Se l'errore non si risolve con il riavvio o il reset del dispositivo, rivolgersi a un centro di assistenza autorizzato.

DMX WIRELESS

Per accoppiare un ricevitore DMX wireless con un trasmettitore compatibile, si deve attivare il comando "Reset" nella voce di menu "WDMX" in "Receiver" (selezionare "Unlink" e confermare). Il ricevitore ora è pronto per l'accoppiamento e attende la richiesta di accoppiamento da un trasmettitore. Per avviare l'accoppiamento, selezionare "Link" nel menu del trasmettitore e confermare; l'accoppiamento si esegue automaticamente. Allo stesso modo si può eseguire anche l'accoppiamento simultaneo o consecutivo di più ricevitori a un trasmettitore (per esempio, per il funzionamento in modalità master/slave). Una connessione DMX wireless rimane sempre attiva finché non viene scollegata con il comando "Reset" nel ricevitore o con il comando "Unlink" nel trasmettitore, anche se nel frattempo un dispositivo è stato scollegato dall'alimentatore.

STATO DEL DMX WIRELESS

W-DMX® disattivato	W-DMX® attivato come ricevitore; non accoppiato	W-DMX® attivato come ricevitore e accoppiato; il trasmettitore è spento o fuori portata	W-DMX® attivato come ricevitore e accoppiato; nessun segna- le DMX	W-DMX® attivato come ricevitore e accoppiato; segnale DMX presente	W-DMX® attivato come trasmettitore

MENU DI CONTROLLO (Control)

Il menu "Control" si utilizza per selezionare le varie modalità operative e impostare le relative opzioni nei sottomenu corrispondenti.

IMPOSTAZIONE DELL'INDIRIZZO DMX INIZIALE (DMX Address)

Iniziando dal display principale, premere MENU per accedere al menu principale. Utilizzando ▲ e ▼, selezionare il menu **Control** e premere ENTER. Ora selezionare l'elemento del menu **DMX Address** e confermare di nuovo. Utilizzare ▲ e ▼ per impostare il valore desiderato e premere ENTER per confermare.

Main Menu	
Control	
Settings	
Service	
System Info	

Control	
DMX Address	
DMX Mode	
Network	
Stand Alone	
Slave	

DMX Address	
001	

IMPOSTAZIONE DELLA MODALITÀ OPERATIVA DMX (DMX Mode)

Iniziando dal display principale, premere MENU per accedere al menu principale. Utilizzando ▲ e ▼, selezionare il menu **Control** e premere ENTER. Ora selezionare l'elemento del menu **DMX Mode** e confermare di nuovo. Utilizzando ▲ e ▼, selezionare la modalità operativa DMX desiderata e premere ENTER per confermare. Le tabelle DMX con le assegnazioni dei canali si trovano nella sezione COMANDO DMX di questo manuale d'istruzioni.

Main Menu	
Control	
Settings	
Service	
System Info	

Control	
DMX Address	
DMX Mode	
Network	
Stand Alone	
Slave	

DMX Mode	
24CH Basic	
27CH Standard	
33CH Extended	

RETE (Network)

Iniziando dal display principale, premere MENU per accedere al menu principale. Utilizzando ▲ e ▼, selezionare il menu **Control** e premere ENTER. Ora selezionare l'elemento del menu **Network** e confermare di nuovo.

Main Menu	
Control	
Settings	
Service	
System Info	

Control	
DMX Address	
DMX Mode	
Network	
Stand Alone	
Slave	

Network	
Protocol	
Universe	
IP Address	
Subnet Mask	
Signal Routing	

Le informazioni sulle voci di sottomenu del menu “Network” e le corrispondenti opzioni di impostazione sono riportate nella tabella seguente (selezionare con ▲ e ▼, confermare con ENTER, modificare il valore o lo stato con ▲ e ▼, confermare con ENTER).

Rete Art-Net			
Protocol	Artnet	Controllo tramite Art-Net	
	sACN	Controllo tramite sACN	
Universe	Absolute Univ.	Impostazione dell'universo assoluto Art-Net	Dipende da rete, sottorete e universo
	Net	Impostazione della rete Art-Net	
	Subnet	Impostazione della sottorete Art-Net	Dipende dall'universo assoluto
	Universe	Impostazione dell'universo Art-Net	
IP Address	xxx.xxx.xxx.xxx	Impostazione dell'indirizzo IP: Impostare il primo blocco, confermare, impostare il secondo blocco, confermare.	
Subnet Mask	xxx.xxx.xxx.xxx	Impostazione della maschera di sottorete: Impostare il primo blocco, confermare, impostare il secondo blocco, confermare.	
Signal Routing	Send to XLR	Reinvio del segnale di comando a XLR Out	
	Backup by XLR	Comando tramite XLR in caso di interruzione del segnale di rete	
	Receive only	Nessun collegamento tra segnale di rete e connettori XLR	

Rete sACN		
Protocol	Artnet	Controllo tramite Art-Net
	sACN	Controllo tramite sACN
Universe	Impostazione dell'universo sACN	
IP Address	xxx.xxx.xxx.xxx	Impostazione dell'indirizzo IP: Impostare il primo blocco, confermare, impostare il secondo blocco, confermare.
Subnet Mask	xxx.xxx.xxx.xxx	Impostazione della maschera di sottorete: Impostare il primo blocco, confermare, impostare il secondo blocco, confermare.
Signal Routing	Send to XLR	Reinvio del segnale di comando a XLR Out
	Backup by XLR	Comando tramite XLR in caso di interruzione del segnale di rete
	Receive only	Nessun collegamento tra segnale di rete e connettori XLR

MENU STAND-ALONE (Stand Alone)

Nelle modalità operative stand-alone “Play Scene” e “Play Loop”, il segnale di comando della modalità operativa corrispondente può essere reinviato alle unità slave tramite XLR (Master/Alone -> Master). Se non si vuole reinviare il segnale di comando, disattivare l’uscita (Master/Alone -> Alone).

Attivare una delle otto scene disponibili (Scene 1-8) o uno degli otto loop disponibili (Loop 1-8). Le scene e i loop sono pre-programmati, ma possono essere personalizzati (Edit Scene / Edit Loop).

Iniziando dal display principale, premere MENU per accedere al menu principale. Utilizzando ▲ e ▼, selezionare la voce di menu **Control** e confermare con ENTER. Selezionare ora la voce di menu **Stand Alone** e confermare di nuovo.

Main Menu	
Control	
Settings	
Service	
System Info	

Control	
DMX Address	
DMX Mode	
Network	
Stand Alone	
Slave	

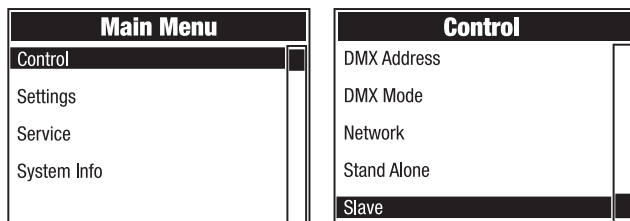
Stand Alone	
Master/Alone	
Play Scene/Loop	
Edit Scene	
Edit Loop	
Enable Full Power	

Le informazioni sulle voci di sottomenu del menu “Stand Alone” e le corrispondenti opzioni di impostazione sono riportate nella tabella seguente (selezionare con ▲ e ▼, confermare con ENTER, modificare il valore o lo stato con ▲ e ▼, confermare con ENTER).

Stand-alone				
Master/Alone	Master	Il segnale di comando viene reinviato tramite DMX OUT		
	Alone	Il segnale di comando non viene reinviato		
Play Scene/ Loop	Scene	Scene 1 - 8	Selezione e attivazione della scena desiderata	
	Loop	Loop 1 - 8	Selezione e attivazione del loop desiderato	
Edit Scene	Scene 1 - 8	Pan	Impostare ogni scena individualmente. Le scene si attivano quando vengono selezionate.	
		Tilt		
		Dimmer		
		...		
Edit Loop	Loop 1 - 8	Step	1 - 8	Selezionare passo 1-8
		t-Step	0s - 20min	Impostazione della durata del passo
		t-Fade	0s - 20 min	Impostazione del tempo di dissolvenza
		User Scene	1 - 8	Selezionare scena 1-8
		Skip Step	No / Yes	Saltare passo: No/Sì
Enable Full Power	Safety Check OK	Prima di attivare la piena potenza, verificare che nel fascio di luce non ci siano persone (controllo di sicurezza)! Quando viene attivata un'altra modalità operativa, la modalità Full Power si disattiva automaticamente.		
	Back	NON attivare la piena potenza senza aver prima eseguito un controllo di sicurezza! Premere “Back”.		

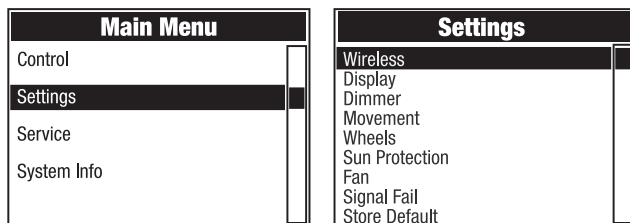
MODO SLAVE (Slave)

Iniziando dal display principale, premere MENU per accedere al menu principale. Utilizzando ▲ e ▼, selezionare la voce di menu **Control** e confermare con ENTER. Selezionare ora la voce di menu **Slave** e confermare di nuovo. Attivare l'uscita del segnale di comando nell'unità master (Control -> Stand Alone -> Master/Alone -> Master). Collegare le unità slave e master (stesso modello, stessa versione software) utilizzando un cavo DMX oppure tramite W-DMX® e attivare la modalità stand-alone “Play Scene” o “Play Loop” nell'unità master. L'unità slave ora seguirà l'unità master.



IMPOSTAZIONI DI SISTEMA (Settings)

Iniziando dal display principale, premere MENU per accedere al menu principale. Utilizzando ▲ e ▼, selezionare **Settings** e confermare con ENTER.



Le informazioni sulle voci di sottomenu del menu “Settings” e le corrispondenti opzioni di impostazione sono riportate nella tabella seguente (selezionare con ▲ e ▼, confermare con ENTER, modificare il valore o lo stato con ▲ e ▼, confermare con ENTER).

Settings (grassetto = impostazioni di fabbrica)				
Wireless	Impo- stazioni wireless	State	On	Modulo wireless attivato
			Disattivato	Modulo wireless disattivato
		Operating Mode	RX	Modulo wireless = ricevitore
			TX CRMX	Modulo wireless = trasmettitore con trasmettitore CRMX standard
			TX G3	Modulo wireless = trasmettitore con trasmettitore G3 standard
		TX G4s	Modulo wireless = trasmettitore con trasmettitore G4s standard	
Linking	Unlink	Scollegare le connessioni DMX wireless e metterle in modalità “In attesa di accoppiamento”		

Wireless	Impostazioni wireless	Linking	Link/Force to pair	Accoppiamento con dispositivi wireless compatibili e pronti per l'accoppiamento		
		Linking Key	Linking Key	Impostazione della chiave di connessione		
			CRMX Mode (disponibile solo con modalità operativa RX)	CRMX	Standard del ricevitore = CRMX	
				CRMX2	Standard del ricevitore = CRMX2	
		Universe Meta-data	CRMX Universe	A - H	Selezione dell'universo CRMX da A a H	
			RGB Colour Code	Red, Orange, Yellow, Green, Cyan, Blue, Purple, White	Codice RGB per la visualizzazione dei colori dell'universo	
		Bluetooth	Universe Name	Una stringa di 16 caratteri con un nome personalizzabile che identifica l'universo		
			State	On	Bluetooth acceso	
	Off			Bluetooth spento		
	Signal Routing	Pin	On	Richiesta PIN attivata (impostazioni di fabbrica 081569)		
			Off	Richiesta PIN disattivata		
			Send to XLR	Reinvio del segnale di comando a XLR (DMX OUT)		
	Display	Impostazioni del display	Reverse	Backup by XLR	Comando tramite XLR (DMX IN) con interruzione del segnale wireless	
Receive only				Nessun collegamento tra segnale DMX wireless e connettori XLR		
Off Timer	On			Rotazione del display di 180° (per esempio, per installazione a soffitto)		
	Off		Nessuna rotazione del display			
Auto	Rilevamento automatico della posizione (montaggio verticale o a soffitto)					
Always On	Sempre acceso					
Off after 20s	Disattivazione dopo circa 20 secondi di inattività					

Display	Impostazioni del display	Autolock	On after 60s	I controlli si bloccano dopo circa 60 secondi senza input (LOCKED). Per sbloccare: premere contemporaneamente i tasti freccia UP e DOWN per circa 5 secondi.
			Off	Funzione di blocco automatico disattivata
Dimmer	Impostazioni del dimmer	Curve	Linear	L'intensità della luce aumenta in modo lineare con il valore DMX
			Exponential	L'intensità della luce può essere regolata con precisione a valori DMX più bassi e ampiamente regolata a valori DMX più elevati
			Logarithmic	L'intensità della luce può essere ampiamente regolata a valori DMX più bassi e regolata con precisione a valori DMX più elevati
			S-Curve	L'intensità della luce può essere regolata con precisione a valori DMX più bassi e più alti e ampiamente regolata a valori DMX medi
		PWM Frequency	650 Hz, 1530 Hz, 3600 Hz, 12 kHz, 18.9 kHz, 25 kHz	Selezione della frequenza PWM del LED
		Response	Light Source	Il faro risponde immediatamente alle variazioni del valore DMX
Halogen	Il faro si comporta come una lampada alogena, con variazioni graduali della luminosità			
Movement	Impostazioni dei movimenti della testa	Pan Reverse	On	Giro orizzontale (pan) invertito
			Off	Giro orizzontale (pan) non invertito
		Tilt Reverse	On	Giro verticale (tilt) invertito
			Off	Giro verticale (tilt) non invertito
		Pan Angle	540°	Giro orizzontale (pan) 540°
			630°	Giro orizzontale (pan) 630°
Position Feedback	On	Correzione automatica della posizione attivata		
	Off	Correzione automatica della posizione disattivata		

Movement	Impostazioni dei movimenti della testa	Move in Black	On	Oscuramento durante il movimento della testa		
			Off	Nessun oscuramento durante il movimento della testa		
		Silent Movement	On	Movimenti del motore rallentati per un funzionamento più silenzioso		
			Off	Funzione disattivata		
Wheels	Impostazioni della ruota gobo e della ruota colori	Gobo Wheel	Position	Clockwise	La ruota gobo gira sempre in senso orario	
				Shortest Way	La ruota gobo gira sulla distanza più corta	
			Movement	Snap	La ruota gobo passa direttamente al gobo desiderato quando viene raggiunto il valore stabilito	
				Scroll	Rotazione continua delle ruote gobo	
		Color Wheel	Position	Clockwise	La ruota gobo gira sempre in senso orario	
				Shortest Way	La ruota gobo gira sulla distanza più corta	
			Movement	Snap	La ruota dei colori salta direttamente all'indietro al filtro dei colori desiderato quando si raggiunge il relativo valore	
				Scroll	Rotazione continua della ruota di colori	
		Move in Black	On	Oscuramento in caso di variazioni di valore della ruota colori e della ruota gobo		
			Off	Nessun oscuramento in caso di variazioni di valore della ruota colori e della ruota gobo		
		Sun Protection	Funzione di protezione per i componenti interni	On	Attiva l'oscuramento e la testa del dispositivo è rivolta verso il basso	
				Off	Funzione disattivata	

Fan	Impostazione della ventola	Auto	Controllo automatico della ventola
		Off	Ventola disattivata a luminosità molto ridotta
		Constant Low	Bassa velocità costante della ventola a luminosità ridotta, se necessario
		Constant Mid	Velocità media costante della ventola a luminosità ridotta, se necessario
		Constant High	Alta velocità costante della ventola
Signal Fail	Stato di funzionamento con guasto del segnale DMX	Hold	L'ultimo comando viene mantenuto
		Last Stand Alone	Viene attivata l'ultima modalità operativa stand-alone selezionata
		Fade to Black (10s)	Dissolvenza di 10 secondi fino all'oscuramento
		Blackout	Attiva l'oscuramento
		Sun Protection	Attiva l'oscuramento e la testa del dispositivo è rivolta verso il basso
Store Default	Salvare le impostazioni in tre preset personalizzati	User A	Salvare tutte le attuali impostazioni come preset utente A
		User B	Salvare tutte le attuali impostazioni come preset utente B
		User C	Salvare tutte le attuali impostazioni come preset utente C

MENU SERVICE (Service)

Iniziando dal display principale, premere MENU per accedere al menu principale. Utilizzando ▲ e ▼, selezionare **Service** e confermare con ENTER.

Main Menu
Control
Settings
Service
System Info

Service
Load Default
Reset
Test
Reset Service Timer
Password

Le informazioni sulle voci di sottomenu del menu Service e le opzioni corrispondenti sono riportate nella tabella sotto (selezionare con ▲ e ▼, confermare con ENTER, selezionare il comando con ▲ e ▼, confermare con ENTER).

Service		
Load Default	Factory Default	Ripristino delle impostazioni di fabbrica
	User A	Ripristino dei valori utente A (per salvare i valori dell'utente: Settings -> Store Default)
	User B	Ripristino dei valori utente B (per salvare i valori dell'utente: Settings -> Store Default)

Load Default	User C	Ripristino dei valori utente C (per salvare i valori dell'utente: Settings -> Store Default)
Reset	Pan/Tilt	Reset dei motori pan/tilt
	Head	Resetta i motori nella testa del dispositivo
	All	Reset di tutti i motori
Test	Test Sequence	Sequenza pre-programmata per testare tutti i componenti
	Stress Test	Sequenza pre-programmata per testare tutti i componenti sotto il carico massimo
	Motor Test	Attiva tutti i motori individualmente con valori da 000 a 255
Reset Service Timer	No	Non resettare il tempo di funzionamento del servizio
	Yes	Resettare il tempo di funzionamento del servizio
Password	Solo per scopi di manutenzione	

INFORMAZIONI DI SISTEMA (System Info)

Iniziando dal display principale, premere MENU per accedere al menu principale. Utilizzando ▲ e ▼, selezionare **System Info** e confermare con ENTER.

Main Menu	System Info
Control	Firmware
Settings	Wireless
Service	Temperature
System Info	Fan Speed
	Runtime
	MAC Address
	RDM UID
	DMX Values
	Error Info
	DMX Table

Le informazioni sulle voci di sottomenu del menu “System Info” e le corrispondenti opzioni di impostazione sono riportate nella tabella seguente (selezionare con ▲ e ▼↓ confermare con ENTER).

System Info			
Firmware	DISP	Vx.x.x	Visualizzazione della versione del firmware del componente corrispondente
	CTR1-Motor	Vx.x.x	
	...	Vx.x.x	
Wireless	Module	TimoTwo	Modello di modulo wireless
	Device Name	CLORONH2-xxxx	Nome del dispositivo
	Version	HW (Hardware)	Numero di versione hardware
		SW (Software)	Numero di versione software
Link Quality	%	Qualità della connessione in percentuale	

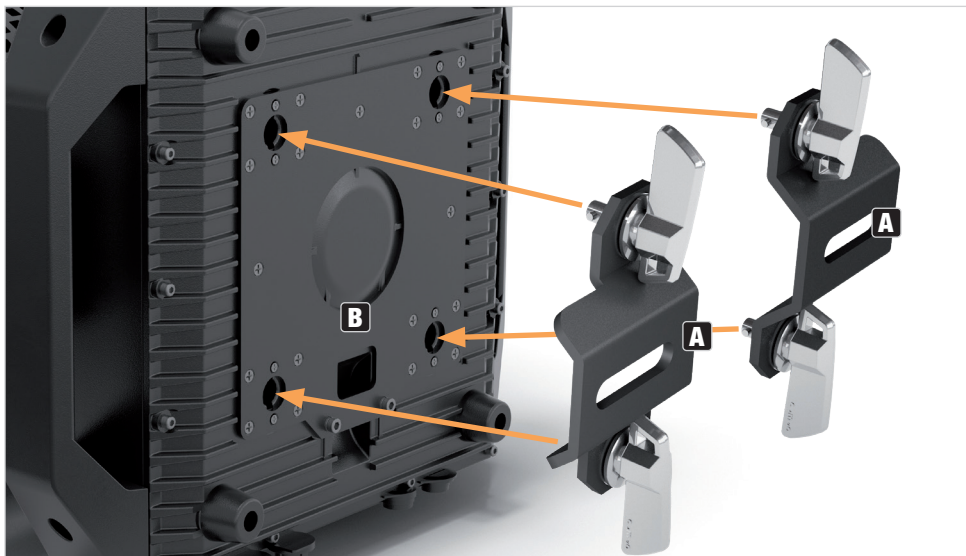
Wireless	Data Source	None / DMX / Wireless Link / SPI / BLE	Informazioni sulla fonte dei dati
	Status	Operational: DMX Data: RDM Identify: RF Link: Link State:	Informazioni sullo stato
Temperature	Light Source	xxx °C/°F	Visualizzazione della temperatura del componente corrispondente
	Base	xxx °C/°F	
	Temperature Unit	°C °F	Impostazione dell'unità di temperatura (premere ENTER per cambiare)
Fan Speed	xxxx RPM	Visualizzazione del numero di giri della ventola in questione	
Runtime	Total	xxxx h : xx m	Tempo di funzionamento totale
	Operation	xxxx h : xx m	Tempo di utilizzo
	Light Source	xxxx h : xx m	Tempo di funzionamento della lampada
	Service	xxxx h : xx m	Tempo di funzionamento dall'ultimo ripristino del tempo di servizio
MAC Address	xx:xx:xx:xx:xx:xx	MAC Address	
RDM UID	Identificatore RDM univoco		
DMX Values	Visualizzazione dei valori DMX presenti		
Error Info	Visualizzazione degli errori in caso di malfunzionamento		
DMX Table	Visualizzazione delle tabelle delle modalità DMX		

INSTALLAZIONE E MONTAGGIO

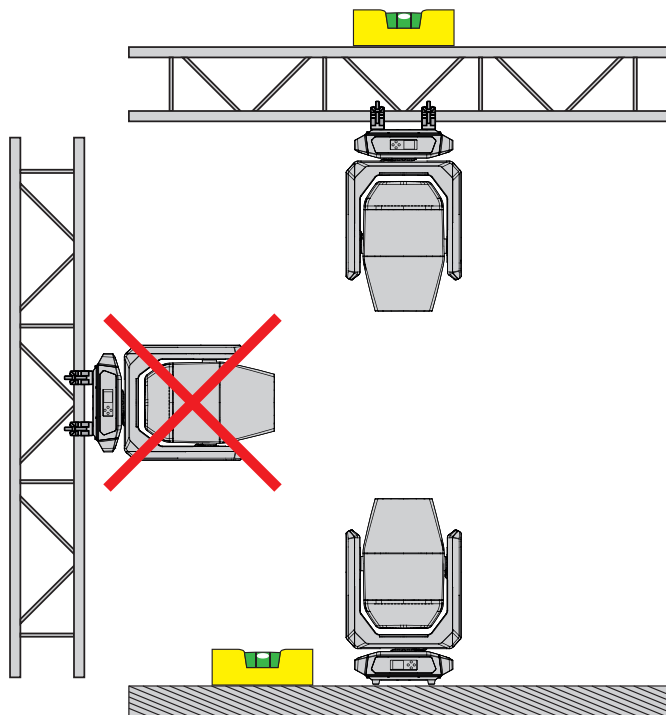


PERICOLO: per il montaggio a soffitto è necessaria molta esperienza; occorre, tra l'altro, saper calcolare i valori limite di carica del materiale di montaggio e saper condurre l'ispezione di sicurezza periodica di tutti i materiali di installazione e dei fari. Non cercare di eseguire l'installazione per conto proprio se non si hanno queste competenze, ma affidarsi a imprese professioniste. I dispositivi non correttamente installati e fissati possono allentarsi e cadere. Le conseguenze possono essere lesioni gravi o morte.

Grazie ai piedini in gomma integrati, il faro può essere posizionato in un luogo adatto su una superficie piana. Il montaggio su truss può essere effettuato utilizzando due staffe Omega che vengono fissate alla base del dispositivo (A). Le due staffe Omega sono fornite in dotazione, mentre i morsetti adatti per le traverse sono disponibili come opzione. Verificare che i collegamenti siano ben saldi e fissare il faro al punto previsto (B) con una corda di sicurezza adeguata.



POSIZIONE DI UTILIZZO



CURA, MANUTENZIONE E RIPARAZIONE

Per garantire il funzionamento corretto nel lungo termine del dispositivo, è necessario effettuare la pulizia e, se necessario, la manutenzione regolarmente. I requisiti di cura e manutenzione richiesti dipendono dall'intensità e dall'ambiente di utilizzo. Raccomandiamo un'ispezione visiva prima di ogni utilizzo. Consigliamo inoltre di eseguire tutti i pertinenti interventi di manutenzione indicati di seguito ogni 500 ore di esercizio o, in caso di uso meno intensivo, al massimo dopo un anno. I diritti di garanzia possono essere limitati in caso di difetti derivanti da manutenzione inadeguata.



AVVERTENZA! Prima di effettuare qualsiasi intervento di cura o manutenzione, è necessario scollegare l'alimentatore e, se possibile, staccare tutti i collegamenti del dispositivo.



NOTA! Una cura inadeguata può causare il danneggiamento o addirittura la distruzione del dispositivo.

1. Le superfici dell'alloggiamento devono essere deterse con un panno umido pulito. Assicurarsi che l'umidità non possa penetrare nel dispositivo.
2. Gli ingressi e le uscite dell'aria devono essere puliti regolarmente da polvere e sporcizia. Se si utilizza aria compressa, prestare la massima cura per non danneggiare il dispositivo (in questo caso, per esempio, le ventole devono essere bloccate per evitare che vadano in sovravelocità).
3. I cavi e i connettori devono essere puliti regolarmente, e polvere e sporcizia devono essere rimossi.
4. In generale non devono essere utilizzati detersivi o agenti abrasivi, altrimenti la finitura della superficie potrebbe esserne danneggiata.
5. In generale, i dispositivi devono essere conservati in un luogo asciutto e protetto da polvere e sporcizia.
6. Per garantire un funzionamento corretto e sicuro, tutte le lenti accessibili o rimovibili e le aperture di emissione della luce devono essere pulite regolarmente.

MANUTENZIONE E RIPARAZIONE (solo da parte di personale qualificato)



PERICOLO! Nel dispositivo sono presenti componenti sotto tensione. Anche dopo la disconnessione dalla rete elettrica, nel dispositivo potrebbe permanere della tensione residua, ad esempio a causa di condensatori carichi.



NOTA! Gli interventi di manutenzione e riparazione devono essere eseguiti solo da personale sufficientemente qualificato. In caso di dubbio, rivolgersi a un'officina specializzata.



NOTA! Gli interventi di manutenzione eseguiti in modo improprio possono inficiare il diritto di garanzia.



NOTA! Per i set di conversione o retrofit forniti dal produttore, è essenziale osservare le istruzioni di installazione accluse.

DIMENSIONI (mm)

ENGLISH

DEUTSCH

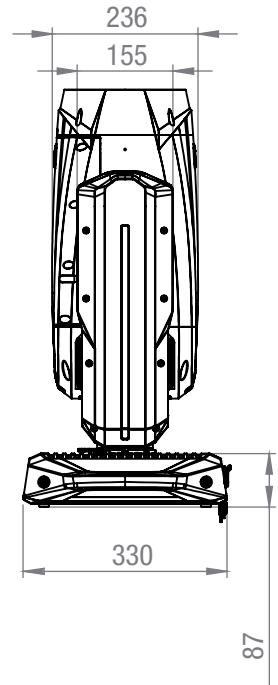
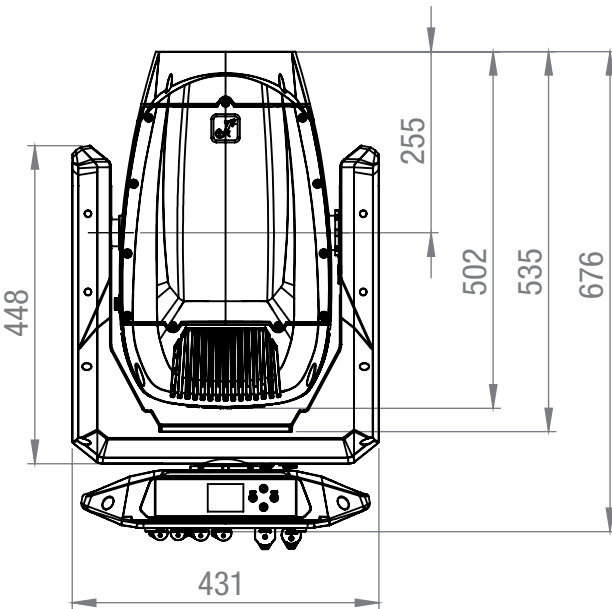
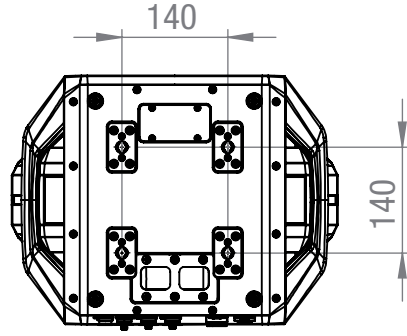
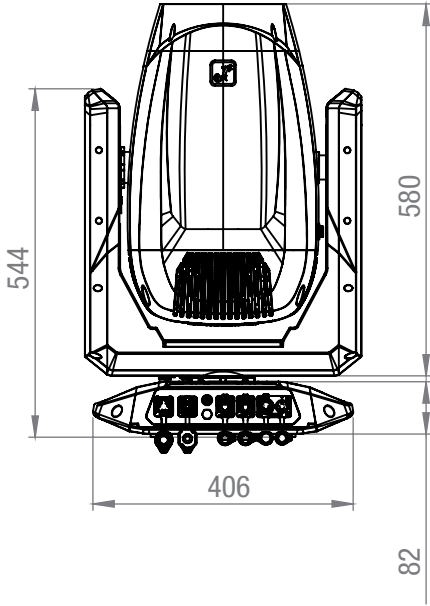
FRANCAIS

ESPAÑOL

POLSKI

ITALIANO

DMX



DATI TECNICI

Cod. articolo:	CLORONH2
Tipo di prodotto:	TESTA MOBILE FOSFORO-LASER IP65
Tipo:	Testa mobile
N. di sorgenti luminose:	1
Tipo di sorgente luminosa:	Motore fosforo-laser, 260 W
Durata minima della sorgente luminosa (L70):	>12.000 h (durata definita come tempo fino al 70%/L70)
Temperatura di colore (sorgente luminosa):	8.000 K
Temperatura di colore (uscita):	6.500 K
Miscelazione colori:	CMY + CTO
Ruota CTO:	3.000 K-6.500 K
IRC:	68 (originale) > 85 con filtro IRC alto
Ruota colori:	19 + posizione libera e continua
Ruota gobo fissa:	19 fissi + 1 libero
Ruota gobo rotante:	12 rotanti + 1 libero
Effetti:	2 livelli di prisma (sovrapposizione) con 7 effetti (1° strato: 5 prismi; 2° strato: 1 prisma, ovalizzatore + 3 filtri frost (leggero/medio/forte))
Angolo del fascio:	0,6°-32°
Giro orizzontale:	Regolabile: 630°/540°
Giro verticale:	270°
Ingresso DMX:	XLR maschio a 5 poli IP65
Uscita DMX:	XLR femmina a 5 poli IP65
Modalità DMX:	24CH Basic, 27CH Standard, 33CH Extended
Funzioni DMX:	Pan/Tilt, Pan/Tilt fine, Dimmer, Dimmer fine, Strobo, Ciano, Ciano fine, Magenta, Magenta fine, Giallo, Giallo fine, CTO lineare, Ruota colori, Ruota gobo fissa, Ruota gobo rotante, Zoom, Zoom fine, Focus, Focus fine, Prisma, Rotazione prisma, Frost, Ruota animazione
Funzioni stand-alone:	Play Scene, Play Loop

ENGLISH

DEUTSCH

FRANCAIS

ESPAÑOL

POLSKI

ITALIANO

DMX

ENGLISH

Impostazioni dispositivo:

Ribaltamento display, Attivazione/disattivazione della retroilluminazione del display, Errore del segnale, Inversione orizzontale, Inversione verticale, Feedback, Funzione "move in black", Test, Reset, Impostazioni utente predefinite, Funzioni di oscuramento, Scroll/snap, Ruota colori/gobo, Blocco automatico, Velocità orizzontale/verticale, Impostazione predefinita lampada, Modalità ventola, Protezione solare, Modalità riposo

DEUTSCH

PWM:

650 Hz, 1530 Hz, 3600 Hz, 12 kHz, 18.9 kHz, 25 kHz

Curve dimmer:

Lineare, esponenziale, logaritmica, curva a S

Strobo:

1 Hz-20 Hz

FRANCAIS

Comando:

DMX, RDM, Art-Net, sACN, WDMX/CRMX

Comandi:

Navigazione a 4 pulsanti (MENU / INVIO / SU / GIÙ)

Display:

Display TFT retroilluminato da 2"

ESPAÑOL

Tensione di esercizio:

100-240 V CA, 50-60 Hz

Corrente di inserzione:

13 A / 1 ms a 230 V (prima metà ciclo)

Classe di protezione:

1

Protezione contro sbalzi di tensione:

> 6.000 V

Fusibile:

6,3 A, 250 V

POLSKI

Consumo di energia:

460 W

Luminanza:

330.000 lx a 20 m a 0,6°

Connettore alimentazione:

Ingresso e uscita Seetronic IP65

Classificazione IP:

IP65

Temperatura ambiente (in esercizio):

da -20°C a +40°C

ITALIANO

Materiale cassa:

Magnalio

Colore cassa:

Nero

Raffreddamento:

Ventole a temperatura controllata

Distanza minima dalla superficie illuminata:

25 m

Distanza minima da materiali normalmente incombustibili:

0,1 m

DMX

Gruppo di rischio:

RG3

Distanza di pericolo:

∞, Non puntare mai il fascio di luce su persone

Diametro lente:

178 mm

Dimensioni (L × H × P):

V. immagine

Peso:	32 kg
Altre caratteristiche:	Cavo di alimentazione da 1 m con spina Setronic IP65 e 2 staffe di montaggio Omega (CLOMEGABRACKET5) in dotazione
Accessori (opzionali):	Inserito SIP in schiuma EPP

SPIEGAZIONE DELLA CLASSE DI PROTEZIONE IP

1. La classificazione IP si riferisce solo alla protezione da oggetti solidi e dall'acqua. Non descrive la resistenza generale alle intemperie, come raggi UV e temperatura.
2. La prima cifra di identificazione indica la protezione da polvere, oggetti solidi e contatto:

IP2X	Protezione contro corpi estranei solidi con diametro $\geq 12,5$ mm
IP3X	Protezione contro corpi estranei solidi con diametro $\geq 2,5$ mm
IP4X	Protezione contro corpi estranei solidi con diametro $\geq 1,0$ mm
IP5X	Protezione contro la polvere in quantità nocive e protezione completa contro il contatto
IP6X	A tenuta di polvere protezione completa contro il contatto

3. La seconda cifra indica la protezione dall'acqua:

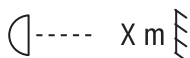
IPX0	Nessuna protezione
IPX1	Protezione dallo sgocciolamento dell'acqua
IPX2	Protezione dallo sgocciolamento dell'acqua con inclinazione del dispositivo fino a 15°
IPX3	Protezione contro la caduta di acqua nebulizzata fino a 60° rispetto alla verticale
IPX4	Protezione da spruzzi d'acqua su tutti i lati
IPX5	Protezione contro i getti d'acqua (ugello) da qualsiasi angolo
IPX6	Protezione contro forti getti d'acqua
IPX7	Protezione contro immersione temporanea

4. Per conseguire la classe di protezione specificata, sono inoltre necessarie apposite misure per il dispositivo, come coperchi e tappi ermetici (per esempio, tappi di protezione da applicare sui connettori non in uso).



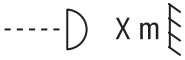
Il grado di protezione IP del prodotto è riportato nei dati tecnici ed è stampato sul dispositivo.

DISTANZA MINIMA DALLA SUPERFICIE ILLUMINATA



Questo simbolo con l'indicazione della distanza in metri (m) mostra la distanza minima del faro dalla superficie illuminata. Il valore applicabile a questo dispositivo è riportato nei dati tecnici del presente manuale ed è stampato sul dispositivo stesso.

DISTANZA MINIMA DA MATERIALI NORMALMENTE INFIAMMABILI



Questo simbolo con l'indicazione della distanza in metri (m) mostra la distanza minima del dispositivo da materiali normalmente infiammabili. Il valore applicabile a questo dispositivo è riportato nei dati tecnici del presente manuale.

SMALTIMENTO



IMBALLAGGIO

1. Gli imballaggi possono essere riciclati con i consueti metodi di smaltimento.
2. Separare l'imballaggio in conformità alle norme sullo smaltimento e alle disposizioni sul riciclaggio vigenti nel proprio Paese.



DISPOSITIVO

1. Questo dispositivo è soggetto alla Direttiva europea sui rifiuti di apparecchiature elettriche ed elettroniche nella versione in vigore. (Direttiva RAEE: Rifiuti di Apparecchiature Elettriche ed Elettroniche). Le apparecchiature a vita non devono essere gettate nei rifiuti domestici. A fine vita, l'apparecchiatura deve essere smaltita tramite un'azienda autorizzata allo smaltimento dei rifiuti o un impianto di smaltimento dei rifiuti urbani. Rispettare le normative in vigore nel proprio Paese!
2. Rispettare tutte le leggi sullo smaltimento vigenti nel proprio Paese.
3. Come cliente privato, è possibile ottenere informazioni sulle opzioni di smaltimento ecologico dal venditore del prodotto o dalle autorità regionali competenti.

DICHIARAZIONI DEL PRODUTTORE

Garanzia del produttore e limitazione di responsabilità

Adam Hall GmbH | Adam-Hall- Str. 1 | 61267 Neu-Anspach | Germania

E-mail: Info@adamhall.com / +49 (0)6081 / 9419-0

Le nostre attuali condizioni di garanzia e la limitazione di responsabilità sono reperibili all'indirizzo:

https://cdn-shop.adamhall.com/media/pdf/Manufacturers-Declarations-CAMEO_DE_EN_ES_FR.pdf

Per l'assistenza, contattare il proprio partner di distribuzione.

Conformità CE

Adam Hall GmbH conferma che questo prodotto soddisfa le seguenti linee guida (ove applicabili):

Direttiva LVD (bassa tensione, 2014/35/UE)

Direttiva EMC (2014/30/UE)

RoHS (2011/65/UE)

RED (2014/53/UE)

Dichiarazione di conformità CE

Le dichiarazioni di conformità per i prodotti soggetti alle direttive LVD, CEE e RoHS possono essere richieste a info@adamhall.com

Le dichiarazioni di conformità per i prodotti soggetti alla direttiva RED possono essere scaricate dalla pagina www.adamhall.com/compliance/

Soggetto a refusi ed errori, nonché a modifiche tecniche o di altro tipo.

ENGLISH

DEUTSCH

FRANCAIS

ESPAÑOL

POLSKI

ITALIANO

DMX

ENGLISH

DEUTSCH

FRANCAIS

ESPAÑOL

POLSKI

ITALIANO

DMX

**DMX CONTROL / DMX STEUERUNG / PILOTAGE DMX /
CONTROL DMX / STEROWANIE DMX / CONTROLLO DMX**

24CH		27CH		33CH					
Basic	Standard	Extended							
Channel	Channel	Channel	Function	Values			Sub-group	Group	
1	1	1	Pan	000	-	255	0% to 100%	Pan	Movement
2	2	2	Pan fine	000	-	255			
3	3	3	Tilt	000	-	255	0% to 100%	Tilt	
4	4	4	Tilt fine	000	-	255			
5	5	5	Dimmer	000	-	255	0% to 100%	Dimmer	Intensity
	6	6	Dimmer fine	000	-	255			
6	7	7	Strobe Functions	000	-	005	Open	Multi-functional Strobe	Strobe
				006	-	010	Closed		
				011	-	022	Ramp up/down slow to fast		
				023	-	033	Ramp up/down random slow to fast		
				034	-	045	Ramp up slow to fast		
				046	-	056	Ramp up random slow to fast		
				057	-	068	Ramp down slow to fast		
				069	-	079	Ramp down random slow to fast		
				080	-	102	Random Strobe effect slow to fast		
				103	-	127	Strobe Break effect 5s to 1s (short burst with break)		
				128	-	250	Strobe slow to fast (<1Hz to 20Hz)		
				251	-	255	Open		
7	8	8	Cyan	000	-	255	0% to 100%	Sub-tractive Colour Mixing	Colour
		9	Cyan fine	000	-	255			

ENGLISH	8	9	10	Magenta	000	-	255	0% to 100%	Sub- tractive Colour Mixing																			
			11	Magenta fine	000	-	255																					
	9	10	12	Yellow	000	-	255				0% to 100%																	
			13	Yellow fine	000	-	255																					
DEUTSCH	10	11	14	CTO	000	-	255	0% to 100%																				
			15	CTO fine	000	-	255																					
FRANCAIS	11	12	16	Colour Wheel	000	-	000	Open	Colour Wheel	Colour																		
					001	-	008	Open -> Deep Red																				
					009	-	009	Deep Red																				
					010	-	017	Deep Red -> Medium Blue																				
018					-	018	Medium Blue																					
019					-	026	Medium Blue -> Yellow																					
027					-	027	Yellow																					
028					-	035	Yellow -> Magenta																					
036					-	036	Magenta																					
037					-	044	Magenta -> Blue-Green																					
045					-	045	Blue-Green																					
046					-	053	Blue-Green -> Lavender																					
054					-	054	Lavender																					
055					-	062	Lavender -> 1/2 Minus Green																					
063					-	063	1/2 Minus Green																					
ESPAÑOL					11	12	16	Colour Wheel			064	-	071	1/2 Minus Green -> CTO 5600K	Colour Wheel	Colour												
	072	-	072	CTO 5600K																								
	073	-	080	CTO 5600K -> CTB 7800K																								
	081	-	081	CTB 7800K																								
POLSKI	11	12	16	Colour Wheel					082	-	089	CTB 7800K -> Deep Green	Colour Wheel	Colour														
									090	-	090	Deep Green																
									091	-	098	Deep Green -> Pink																
									099	-	099	Pink																
ITALIANO									11	12	16	Colour Wheel					100	-	107	Pink -> Deep Orange	Colour Wheel	Colour						
																	108	-	108	Deep Orange								
																	109	-	116	Deep Orange -> Light Orange								
																	117	-	117	Light Orange								
DMX																	11	12	16	Colour Wheel			118	-	125	Light Orange -> Lime	Colour Wheel	Colour

11	12	16	Colour Wheel	126 - 126	Lime	Colour Wheel	Colour
				127 - 134	Lime -> Deep Blue		
				135 - 135	Deep Blue		
				136 - 143	Deep Blue -> CTO 2600K		
				144 - 144	CTO 2600K		
				145 - 152	CTO 2600K -> Amber		
				153 - 153	Amber		
				154 - 161	Amber -> CTO 3200K		
				162 - 162	CTO 3200K		
				163 - 170	CTO 3200K -> Congo Blue		
				171 - 171	Congo Blue		
				172 - 179	Congo Blue -> Open		
				180 - 192	Open		
				193 - 223	Colour Wheel Rotation fast to slow		
				224 - 224	Colour Wheel Rotation stop		
225 - 255	Colour Wheel Rotation slow to fast (backwards)						
		17	Colour Wheel fine	000 - 255	Colour Wheel fine		
12	13	18	Gobo Wheel 1	000 - 005	Open	Gobo Wheel (rotating Gobos)	Gobo
				006 - 014	Open -> Gobo 1		
				015 - 015	Gobo 1		
				016 - 024	Gobo 1 -> Gobo 2		
				025 - 025	Gobo 2		
				026 - 034	Gobo 2 -> Gobo 3		
				035 - 035	Gobo 3		
				036 - 044	Gobo 3 -> Gobo 4		
				045 - 045	Gobo 4		
				046 - 054	Gobo 4 -> Gobo 5		
				055 - 055	Gobo 5		
				056 - 064	Gobo 5 -> Gobo 6		
				065 - 065	Gobo 6		
				066 - 074	Gobo 6 -> Gobo 7		
				075 - 075	Gobo 7		
076 - 084	Gobo 7 -> Gobo 8						
085 - 085	Gobo 8						
086 - 094	Gobo 8 -> Gobo 9						

ENGLISH	12	13	18	Gobo Wheel 1	095 - 095	Gobo 9	Gobo Wheel (rotating Gobos)	Gobo
					096 - 104	Gobo 9 -> Gobo 10		
					105 - 105	Gobo 10		
					106 - 114	Gobo 10 -> Gobo 11		
					115 - 115	Gobo 11		
					116 - 124	Gobo 11 -> Gobo 12		
					125 - 125	Gobo 12		
					126 - 134	Gobo 12 -> Open		
					135 - 139	Open		
					140 - 143	Gobo 1 Shake (slow to fast)		
					144 - 147	Gobo 2 Shake (slow to fast)		
					148 - 151	Gobo 3 Shake (slow to fast)		
					152 - 155	Gobo 4 Shake (slow to fast)		
					156 - 159	Gobo 5 Shake (slow to fast)		
					160 - 163	Gobo 6 Shake (slow to fast)		
					164 - 167	Gobo 7 Shake (slow to fast)		
					168 - 171	Gobo 8 Shake (slow to fast)		
					172 - 175	Gobo 9 Shake (slow to fast)		
					176 - 179	Gobo 10 Shake (slow to fast)		
					180 - 183	Gobo 11 Shake (slow to fast)		
184 - 187	Gobo 12 Shake (slow to fast)							
188 - 192	Gobo open							
193 - 223	Gobo Wheel rotation fast to slow							
224 - 224	Gobo Wheel rotation Stop							
225 - 255	Gobo Wheel rotation slow to fast (backwards)							
DEUTSCH								
FRANCAIS								
ESPAÑOL								
POLSKI								
ITALIANO								
DMX								

13	14	19	Gobo Wheel 1 Gobo Position	000 - 128	Gobo Position 0° ... 540°	Gobo Wheel (rotating Gobos)	
				129 - 191	Gobo Rotation fast to slow		
				192 - 192	Gobo Rotation Stop		
				193 - 255	Gobo Rotation slow to fast (backwards)		
	15	20	Gobo Wheel 1 Gobo Position fine	000 - 255	Gobo Position fine		
14	16	21	Gobo Wheel 2	000 - 005	Open	Gobo Wheel (static Gobos)	Gobo
				006 - 006	Gobo 1		
				007 - 011	Gobo 1 -> Gobo 2		
				012 - 012	Gobo 2		
				013 - 017	Gobo 2 -> Gobo 3		
				018 - 018	Gobo 3		
				019 - 023	Gobo 3 -> Gobo 4		
				024 - 024	Gobo 4		
				025 - 029	Gobo 4 -> Gobo 5		
				030 - 030	Gobo 5		
				031 - 035	Gobo 5 -> Gobo 6		
				036 - 036	Gobo 6		
				037 - 041	Gobo 6 -> Gobo 7		
				042 - 042	Gobo 7		
				043 - 047	Gobo 7 -> Gobo 8		
				048 - 048	Gobo 8		
				049 - 053	Gobo 8 -> Gobo 9		
				054 - 054	Gobo 9		
				055 - 059	Gobo 9 -> Gobo 10		
				060 - 060	Gobo 10		
				061 - 065	Gobo 10 -> Gobo 11		
				066 - 066	Gobo 11		
				067 - 071	Gobo 11 -> Gobo 12		
				072 - 072	Gobo 12		
073 - 077	Gobo 12 -> Gobo 13						
078 - 078	Gobo 13						
079 - 083	Gobo 13-> Gobo 14						
084 - 084	Gobo 14						
085 - 089	Gobo 14 -> Gobo 15						
				090 - 090	Gobo 15		

ENGLISH	14	16	21	Gobo Wheel 2	091 - 095	Gobo 15 -> Gobo 16	Gobo Wheel (static Gobos)	Gobo
					096 - 096	Gobo 16		
					097 - 101	Gobo 16 -> Gobo 17		
					102 - 102	Gobo 17		
					103 - 107	Gobo 17 -> Gobo 18		
					108 - 108	Gobo 18		
					109 - 113	Gobo 18 -> Gobo 19		
					114 - 114	Gobo 19		
					115 - 119	Gobo 19 -> Open		
					120 - 131	Open		
					132 - 134	Gobo 1 Shake (slow to fast)		
					135 - 137	Gobo 2 Shake (slow to fast)		
					138 - 140	Gobo 3 Shake (slow to fast)		
					141 - 143	Gobo 4 Shake (slow to fast)		
					144 - 146	Gobo 5 Shake (slow to fast)		
					147 - 149	Gobo 6 Shake (slow to fast)		
					150 - 152	Gobo 7 Shake (slow to fast)		
					153 - 155	Gobo 8 Shake (slow to fast)		
					156 - 158	Gobo 9 Shake (slow to fast)		
					159 - 161	Gobo 10 Shake (slow to fast)		
162 - 164	Gobo 11 Shake (slow to fast)							
165 - 167	Gobo 12 Shake (slow to fast)							
168 - 170	Gobo 13 Shake (slow to fast)							
171 - 173	Gobo 14 Shake (slow to fast)							
174 - 176	Gobo 15 Shake (slow to fast)							
177 - 179	Gobo 16 Shake (slow to fast)							
DEUTSCH								
FRANCAIS								
ESPAÑOL								
POLSKI								
ITALIANO								
DMX								

14	16	21	Gobo Wheel 2	180 - 182	Gobo 17 Shake (slow to fast)	Gobo Wheel (static Gobos)	Gobo
				183 - 185	Gobo 18 Shake (slow to fast)		
				186 - 188	Gobo 19 Shake (slow to fast)		
				189 - 192	Open		
				193 - 223	Gobo Wheel rotation fast to slow		
				224 - 224	Gobo Wheel rotation Stop		
				225 - 255	Gobo Wheel rotation slow to fast (backwards)		
15	17	22	Zoom	000 - 255	Narrow to Wide	Zoom	Beam
		23	Zoom fine	000 - 255			
16	18	24	Focus	000 - 255	0% to 100%	Focus	
	19	25	Focus fine	000 - 255			
17	20	26	Effect Wheel 1 Selection	000 - 005	Open	Effect Wheel 1	
				006 - 055	5x circular Prism		
				056 - 105	8x circular Prism		
				106 - 155	2x linear Prism		
				156 - 205	4x linear Prism		
				206 - 255	6x linear Prism		
18	21	27	Effect 1 Rotation	000 - 128	Effect Slot Position 0° to 540°	Effect Wheel 1	
				129 - 191	Effect Slot Rotation fast to slow		
				192 - 192	Effect Slot Rotation Stop		
				193 - 255	Effect Slot Rotation slow to fast (backwards)		
19	22	28	Effect Wheel 2 Selection	000 - 005	Open	Effect Wheel 2	
				006 - 055	4x circular Prism		
				056 - 105	Ovalizer		
				106 - 155	Light Frost		
				156 - 205	Medium Frost		
				206 - 255	Heavy Frost		
20	23	29	Effect 2 Rotation	000 - 128	Effect Slot Position 0° to 540°	Effect Wheel 2	
				129 - 191	Effect Slot Rotation fast to slow		
				192 - 192	Effect Slot Rotation Stop		

ENGLISH	20	23	29	Effect 2 Rotation	193	-	255	Effect Slot Rotation slow to fast (backwards)	Effect Wheel 2	Beam
	21	24	30	Animation Wheel	000	-	255	Animation Wheel In 0 - 100%	Animation Wheel	
22	25	31	Animation Wheel Rotation	000	-	128	Animation Wheel Position 0° to 540°			
				129	-	191	Animation Wheel Rotation fast to slow			
				192	-	192	Animation Wheel Rotation Stop			
				193	-	255	Animation Wheel Rotation slow to fast (backwards)			
FRANCAIS	23	26	32	Blackout Zone	000	-	005	Blackout Zone deactivated	Blackout Zone	
					006	-	046	Save Position 1		
					047	-	087	Save Position 2		
					088	-	108	Save Position 3		
					109	-	129	Save Position 4		
					130	-	150	Save Positions to Zone A		
					151	-	171	Save Positions to Zone B		
					172	-	192	Save Positions to Zone C		
					193	-	213	Blackout Zone A active		
					214	-	234	Blackout Zone B active		
235	-	255	Blackout Zone C active							
POLSKI	24	27	33	Device settings (all settings are executed after holding value for 3 seconds) (please read remark 1*)	000	-	003	No function	Control	
					004	-	005	Enable Savings B0 Zone		
ITALIANO										
DMX										

24	27	33	Device settings (all settings are executed after holding value for 3 seconds) (please read remark 1*)	006 - 007	Blackout while P/T moving On	Blackout	Control
				008 - 009	Blackout while P/T moving Off		
				010 - 011	Blackout while Wheels moving On		
				012 - 013	Blackout while Wheels moving Off		
				014 - 015	Sun Protection On	Sun Protection	
				016 - 017	Sun Protection Off		
				018 - 019	Sleep Mode On	Energy Saving	
				020 - 021	Sleep Mode Off/Wake Up		
				022 - 024	No function		
				025 - 025	Record User Scene 1	User Scenes	
				026 - 026	Record User Scene 2		
				027 - 027	Record User Scene 3		
				028 - 028	Record User Scene 4		
				029 - 029	Record User Scene 5		
				030 - 030	Record User Scene 6		
				031 - 031	Record User Scene 7		
				032 - 032	Record User Scene 8		
				033 - 041	No function		
				042 - 043	Invert Pan On	Movement	
				044 - 045	Invert Pan Off		
				046 - 047	Invert Tilt On		
				048 - 049	Invert Tilt Off		
				050 - 051	Pan Angle 540°		
				052 - 053	Pan Angle 630°		
				054 - 073	No function		
				074 - 075	Dimmer Response LED	Dimming	
				076 - 077	Dimmer Response Halogen		
				078 - 093	No function		
				094 - 095	Silent movement On	Noise Functions	
				096 - 097	Silent movement Off		
				098 - 099	Fan Auto		
				100 - 101	Fan Off		
				102 - 103	Fan Constant Low		
104 - 105	Fan Constant Medium						
106 - 107	Fan Constant High						
108 - 119	No function						

24	27	33	Device settings (all settings are executed after holding value for 3 seconds) (please read remark 1*)	120 - 121	PWM 1 (650 Hz)	PWM Fre- quency	Control
				122 - 123	PWM 2 (1530 Hz)		
				124 - 125	PWM 3 (3600 Hz)		
				126 - 127	PWM 4 (12000 Hz)		
				128 - 129	PWM 5 (18900 Hz)		
				130 - 131	PWM 6 (25000 Hz)		
				132 - 139	No function		
				140 - 141	Display Always On	Display Functions	
				142 - 143	Display Off after 20s		
				144 - 147	No function		
				148 - 149	Colour Wheel Snap	Wheel Move- ment	
				150 - 151	Colour Wheel Scroll		
				152 - 153	Gobo Wheel Snap		
				154 - 155	Gobo Wheel Scroll		
				156 - 163	No function		
				164 - 165	Dimmer Curve Linear	Dimmer Curve	
				166 - 167	Dimmer Curve Exponential		
				168 - 169	Dimmer Curve Logarithmic		
				170 - 171	Dimmer Curve S-Curve		
				172 - 209	No function		
				210 - 211	Colour Wheel Shortest Way	Wheel Position- ing	
				212 - 213	Colour Wheel Clockwise		
				214 - 215	Gobo Wheel Shortest Way		
				216 - 217	Gobo Wheel Clockwise		
				220 - 221	No function		
222 - 223	Reset Pan / Tilt	Reset					
224 - 233	No function						
234 - 235	Reset Head						
236 - 237	Reset All						
238 - 239	No function						
240 - 241	Load Factory Defaults	Load Default					
242 - 243	No function						
244 - 245	Load User Default A						
246 - 247	Load User Default B						
248 - 249	Load User Default C						
250 - 255	No function						

- EN:** (1*) After the adjustments have been made, set the value to 000 to avoid disturbance by endless function call.
- DE:** (1*) Nachdem die Einstellungen vorgenommen wurden, stellen Sie den Wert auf 000 ein, um Störungen durch endlosen Funktionsaufruf zu vermeiden.
- FR:** (1*) Une fois les ajustements effectués, réglez la valeur sur 000 pour éviter les perturbations par appel de fonction sans fin.
- ES:** (1*) Después de realizar los ajustes, establezca el valor en 000 para evitar perturbaciones mediante una llamada de función sin fin.
- PL:** (1*) Po dokonaniu ustawień ustaw wartość na 000, aby uniknąć zakłóceń przez niekończące się wywołanie funkcji.
- IT:** (1*) Dopo aver effettuato le regolazioni, impostare il valore su 000 per evitare disturbi causati da una chiamata a funzione infinita.

ENGLISH

DEUTSCH

FRANCAIS

ESPAÑOL

POLSKI

ITALIANO

DMX

Adam Hall GmbH

Adam-Hall-Str. 1 | 61267 Neu-Anspach | Germany

Phone: +49 6081 9419-0 | adamhall.com

Adam Hall Ltd. | The Seedbed Business Centre | SS3 9QY Essex | United Kingdom

