

OPUS® S5

SPOT MOVING HEAD



FEATURES

- ▶ Compact super bright Spot Moving Head with 17.500 lm output and huge illuminance of 39,000 lux @ 5 m
- ▶ Advanced CMY color mixing system plus color wheel with 7 dichroic filters
- ▶ Linear CTO correction from 6,500 - 2,600 K
- ▶ Highly efficient optics with extra wide 6° - 46° zoom range
- ▶ Even and flat projection field without hot spots at any zoom angle
- ▶ Rotating animation wheel
- ▶ Rotating gobo wheel with 7 interchangeable indexable glass gobos + open
- ▶ Static gobo wheel with 8 interchangeable glass gobos + open
- ▶ Rotatable and indexable 3-facet circular prism plus 6-facet linear prism
- ▶ Variable frost for wash-like effects plus stepless iris
- ▶ Ultra smooth 16-bit dimming with 4 selectable curves
- ▶ Flicker-free operation thanks to selectable PWM frequencies up to 25 kHz
- ▶ Battery powered touchscreen display plus 6 touch buttons for offline configuration
- ▶ Flexible control via built-in W-DMX™ Receiver, DMX, RDM, Art-Net or sACN

DESCRIPTION

Illuminating stages with brilliant, lively colors, the Cameo OPUS® S5 is a compact super bright spot moving head with a powerful 380 W white LED engine, CMY mixing system and linear CTO correction. It is highly effective in venues of all sizes thanks to its wide zoom range. An additional color wheel with 7 dichroic filters enables instant color changes and split color projection. The fixture has an enormous 17,500 lm output, huge illuminance of 39,000 lux at a distance of 5 meters and rapid 540° pan and 270° tilt movement. Permitting extensive beam control, the highly efficient optics feature an extra wide zoom range from 6° to 46° and stepless iris. A continuously variable frost filter provides soft, wash-like diffusion.

Generating spectacular morphing effects when used simultaneously, the OPUS® S5 has two gobo wheels with 7 rotating and 8 static glass gobos which can also be used in combination with the rotating animation wheel for amazingly vivid projections. In addition to a rotatable and indexable 3-facet circular prism and a 6-facet linear prism to multiply gobo projection, the luminaire includes 16-bit dimming with a choice of 4 curves.

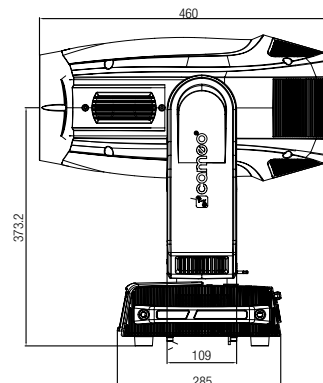
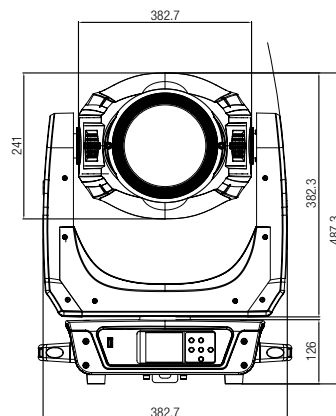
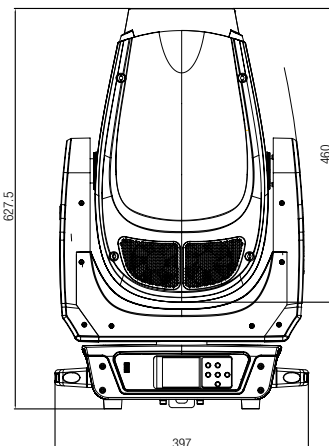
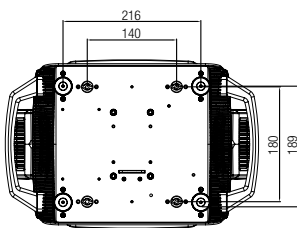
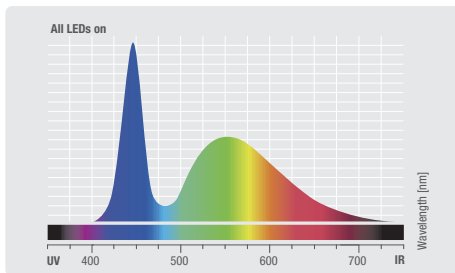
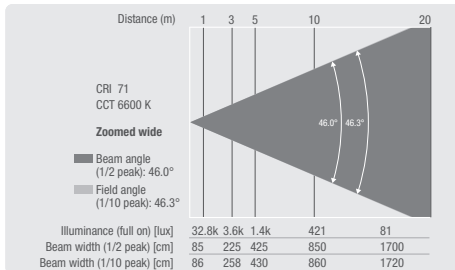
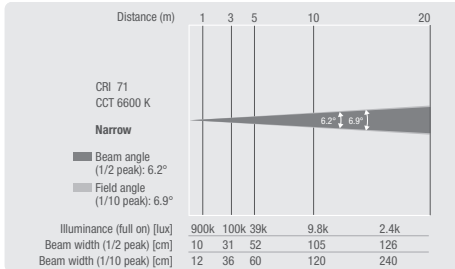
The OPUS® S5 offers flexible control options via DMX, RDM, Art-Net, sACN or the built-in W-DMX™ transceiver. It has a rugged ABS and metal housing with Neutrik® DMX and powerCON TRUE1 connectors and super efficient heat pipe cooling system with temperature controlled fans to ensure optimal cooling. A battery-powered touchscreen display with 6 additional touch buttons permits convenient offline configuration and two modes of menu navigation. The luminaire comes with two omega brackets and power cord.

OPUS[®] S5

SPOT MOVING HEAD



PHOTOMETRICAL DATA



SPECIFICATIONS

Product type	LED Moving Lights
Type	Moving Head
Color spectrum	white
Number of LEDs	1
Color temperature	6600 K
LED type	380 W
Refresh rate	adjustable to 25000 Hz
Dispersion	6 - 46 °
DMX input	XLR 5-pin male
DMX output	XLR 5-pin female
DMX mode	27-channel, 33-channel
DMX Functions	Color wheel, CTO Fine, Cyan, Dimmer Fine, Focus Fine, Frost, Gobo wheel, Iris, Magenta, Prism, Rotation Gobo Wheel 1, strobe, TILT, Yellow, Zoom, Zoom Fine, Animation Wheel, Auto Movement, CTO, Cyan Fine, Device Settings, Dimmer, Focus, Gobo Wheel 1, Gobo Wheel 2, Magenta Fine, PAN, PAN FINE, Rotation Fine, Rotation Prism, Set Dimmer Curve, TILT FINE, Yellow Fine
PAN movement	540
TILT movement	270
High Speed Strobe	> 20 Hz
Standalone modes	Static, Auto Mode, Settings
Controls	Enter, Value Down, Value Up, mode
Indicators	Graphic Display
Operating voltage	100 V AC - 240 V AC, 50 - 60 Hz, Neutrik True 1 IN / OUT
Power consumption	530 W
Housing material	ABS plastic, metal
Cabinet color	Black
Protection class IP	IP20
Cooling	Heat-pipe cooling system with temperature controlled fans
Luminous flux	17500 lm
Maximum Ambient Temperature	-15 - 45 °C
Width	400 mm
Height	630 mm
Depth	250 mm
Weight	24 kg
Accessories (included)	2 x Omega Clamp, Power cord
Depth	250 mm
Weight	27.8 kg
Accessories (included)	2 x Omega Clamp, power supply

Features and specifications subject to change without notice.

adamhall.com