

STUDIO PAR 6 G2

LED PAR SPOTLIGHT WITH 12 X RGBAWUV 6-IN-1 LED



FEATURES

- ▶ 12 x 12 W 6-in-1 RGBAWUV LED with 4,700 lm luminous flux
- ▶ Revised design with many workflow optimisations
- ▶ Selectable pulse width modulation (up to 25 kHz) for flicker-free operation
- ▶ Virtually silent operation in “Silent Fan Mode”
- ▶ Intuitive holding mechanism for colour filter frames
- ▶ Wireless control via W-DMX™ via optional Cameo iDMX Stick
- ▶ Simple configuration via OLED display
- ▶ PowerCON compatible power connector
- ▶ Fold-out 16 mm TV spigot (SPIN16®) can be retrofitted as an option



DESCRIPTION

They can be found at almost every event - large or small, on live stages or corporate events, in the theatre or TV studio. LED PAR spotlights are permanent fixtures in the portfolio of every lighting designer and rental provider - and they have to meet the highest demands in terms of lighting quality, operation and flexible use.

With the second generation of the STUDIO PAR series, Cameo has revised the genre of classic LED PAR fixtures for static lighting on all levels and given the design an unmistakable facelift.

The basis of the extremely compact STUDIO PAR 6 G2 is formed by 12 x 12 W 6-in-1 RGBW LEDs with an impressive luminous flux of 4,500 lm at a 22° beam angle and uniform light distribution. The possibilities range from subtle pastel tones for atmospheric scenic support in the background to rich and brilliant colours for powerful illumination of objects and environments.

Thanks to the adjustable PWM frequency in the range from 650 Hz to 25 kHz, the STUDIO PAR 6 G2 is also suitable for flicker-free operation in theatres, TV studios, on film sets or at indoor light art festivals. Even more versatile is the use in combination with the optionally available Cameo iDMX Stick to control the STUDIO PAR 6 G2 wirelessly via W-DMX™.

For particularly flexible mounting, the STUDIO PAR 6 G2 can be optionally retrofitted with a fold-out 16 mm TV spigot based on patented SPIN16® technology.

Features and specifications
subject to change without notice.

adamhall.com

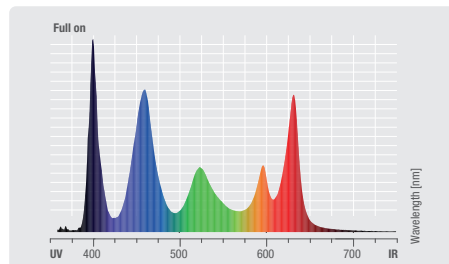
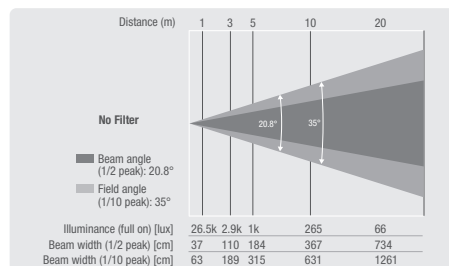
STUDIO PAR 6 G2

LED PAR SPOTLIGHT WITH 12 X RGBAWUV 6-IN-1 LED



PHOTOMETRICAL DATA

	Luminous flux	Chromaticity coordinates	CCT	R _a
Full on	4500 lm	x 0.300 y 0.261	-	-
Red	850 lm	x 0.690 y 0.303		
Green	1500 lm	x 0.181 y 0.731		
Blue	330 lm	x 0.139 y 0.053		
White	1530 lm	x 0.310 y 0.318		
Amber	650 lm	x 0.570 y 0.424		
UV	3 lm	x 0.177 y 0.019		



SPECIFICATIONS

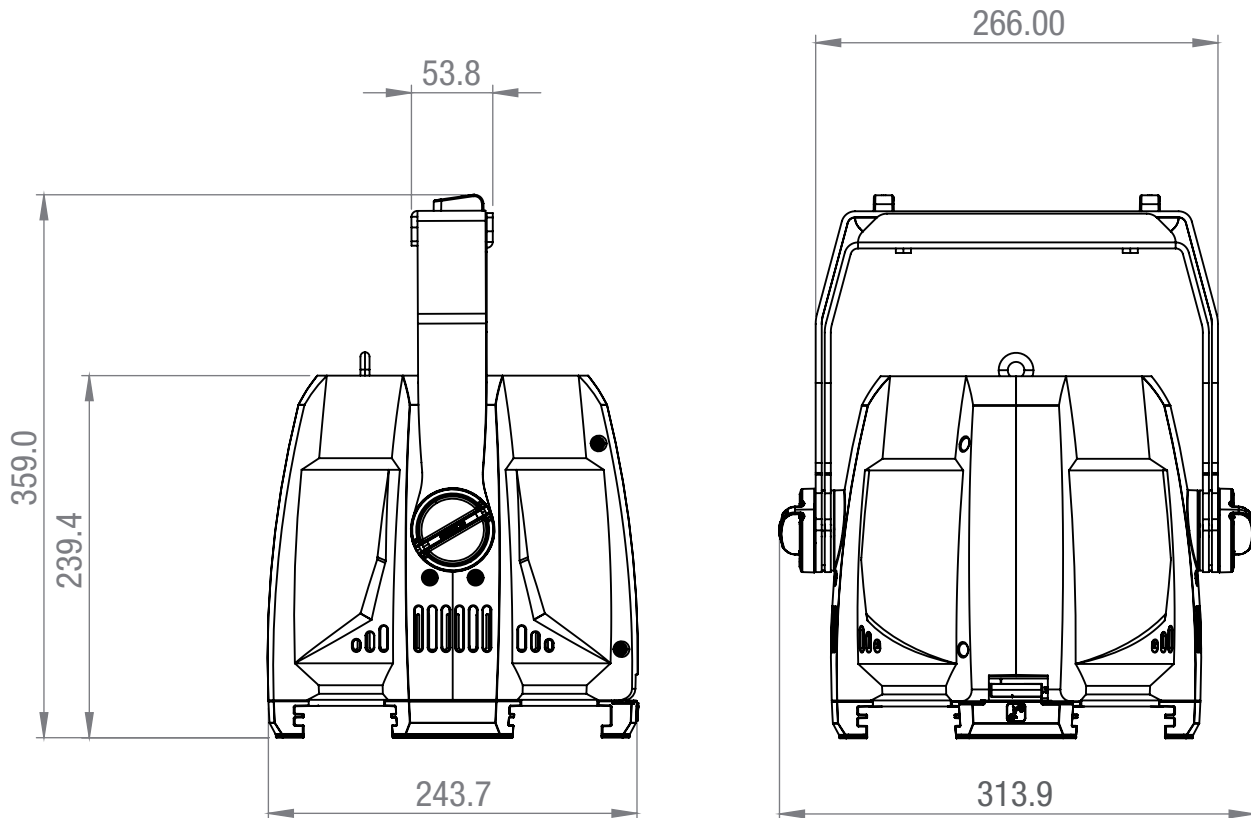
Product type	LED PAR Lighting
Type	Studio PAR
Colour spectrum	RGBWA + UV
Number of LEDs	12
LED type	6in1 RGBAWUV 12 W SMD LED
Luminous flux	4700 lm
Dispersion	Beam Angle: 21 °, Field Angle: 35 °
Lens	12 x acrylic lens
LED PWM Frequency	650 Hz, 1530 Hz, 3600 Hz, 12000 Hz, 18900 Hz, 25000 Hz
Dimmer resolution	16 bit
Dimmer curves	Exponential, Linear, Logarithmic, Square
Strobe	0 - 20 Hz
CRI	>74 Ra
DMX input	3-Pol, iDMX slot
DMX output	3-Pol
DMX mode	10-channel, 12-channel, 14-channel, 18-channel, 1-channel, 3-channel, 4-channel, 6-channel, 9-channel
DMX Functions	colour macro, Device Settings, Dimmer, Dimmer Curve, EZ-Chase, RGBWA, strobe, UV
Standalone modes	Auto Mode, Static
System settings	Calibration, Default settings, Dimmer, Dimmer Response, Display, Fan mode, LED PWM Frequency, Signal Fail, Wireless
Controls	4 x Buttons, Down, Enter, menu, Up
Indicators	OLED Display
Relative Humidity	< 80 %, not condensing
Protection class IP	IP20
Ambient temperature (operating)	-10 - 40 °C
Cooling	Convection, low-noise fan
Operating voltage	100 V AC - 240 V AC, 50 - 60 Hz
Power connector	PowerCon Blue I/O
Fuse	T2A
Max. Power consumption	125 W
Housing	Die-cast aluminium
Cabinet surface	Powder coated
Cabinet colour	Black
Height	360 mm
Width	310 mm
Depth	250 mm
Weight	5.1 kg

STUDIO PAR 6 G2

LED PAR SPOTLIGHT WITH 12 X RGBAWUV 6-IN-1 LED



DIMENSIONS (mm)



Features and specifications
subject to change without notice.

adamhall.com