

# OPUS® SP5 FC

PROFILE SPOT MOVING HEAD



## FEATURES

- ▶ Profile Spot Moving Head with 300 W full colour RGBAL LED
- ▶ Full spectrum of hues with CRI above 90 and TLCI of 93
- ▶ High quality optics with extra wide 6° - 44° zoom range
- ▶ Even and flat projection field without multiple colour shadows
- ▶ 4-blade framing system with +/- 45° rotation
- ▶ Angle and position of each shutter blade individually controllable up to full blackout
- ▶ Animation wheel
- ▶ Rotating gobo wheel with 6 replaceable indexable glass gobos + open
- ▶ Static gobo wheel with 7 replaceable glass gobos + open
- ▶ Rotatable and indexable 3-facet circular prism plus 6-facet linear prism
- ▶ Variable frost for wash-like effects plus stepless iris
- ▶ Ultra smooth 16-bit dimming with 4 selectable curves
- ▶ Flicker-free operation thanks to selectable PWM frequencies up to 25 kHz
- ▶ Battery powered touchscreen display plus 6 touch buttons for offline configuration
- ▶ Flexible control via built-in W-DMX™ transceiver, DMX, RDM, Art-Net or sACN

## DESCRIPTION

Create perfect displays for your light presentations with a broad colour palette and lightning-fast colour changes with the Cameo OPUS® SP5 FC. The powerful Profile Spot Moving Head reproduces even projection without colour shadows thanks to its high-quality optical system. It features a particularly long zoom range of 6° to 44°, plus a continuously variable iris diaphragm and motorised focusing. A continuously adjustable frost filter supplies a soft, washlight-like spread. With its flicker-free and almost noiseless operation, plus a colour reproduction index of over 90, the spotlight is superbly suited for use in theatre, film and TV production.

The OPUS® SP FC features four diaphragm sliders for creating a range of geometric shapes. These can be individually angled and inserted all the way for complete shading.

The complete diaphragm slider system turns +/- 45° for precise positioning. Incredible morphing effects are created with the simultaneous use of both gobo wheels with 6 rotating and 7 static glass gobos. These can be combined with the animation wheel for exceptionally vivid projections. The spotlight offers a rotatable and indexable circular threefold prism and a rotatable and indexable linear sixfold prism for projection reproduction. In addition, four 16-bit dimmer curves are available to choose from.

The OPUS® SP5 FC offers flexible control options via DMX, RDM, Art-Net, sACN or the built-in W-DMX™ transceiver. Its robust ABS and metal housing is equipped with Neutrik® DMX and powerCON TRUE1 power sockets, while highly efficient heat pipe cooling and temperature-controlled fans ensure optimal operation. A battery-powered touchscreen display and 6 additional touch buttons facilitate convenient, mains-free configuration and two methods for navigation. The spotlight is supplied with two Omega brackets and power cable.



Features and specifications  
subject to change without notice.

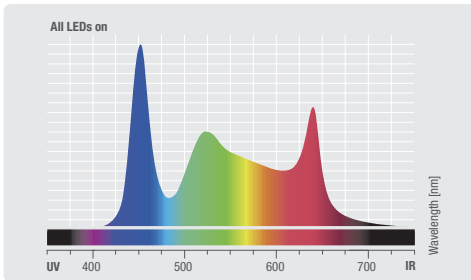
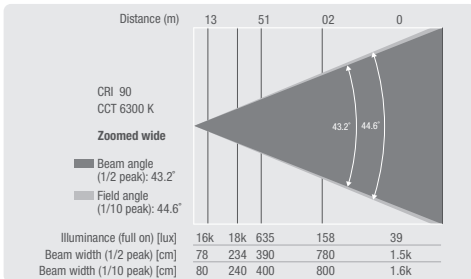
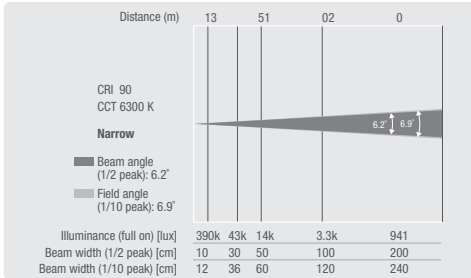
[adamhall.com](http://adamhall.com)

# OPUS<sup>®</sup> SP5 FC

## PROFILE SPOT MOVING HEAD

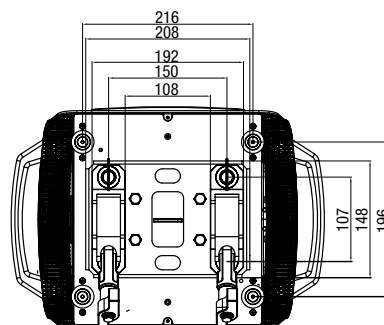
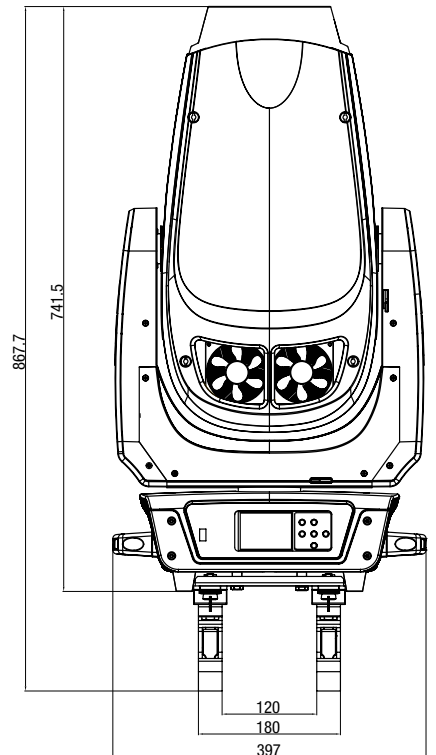
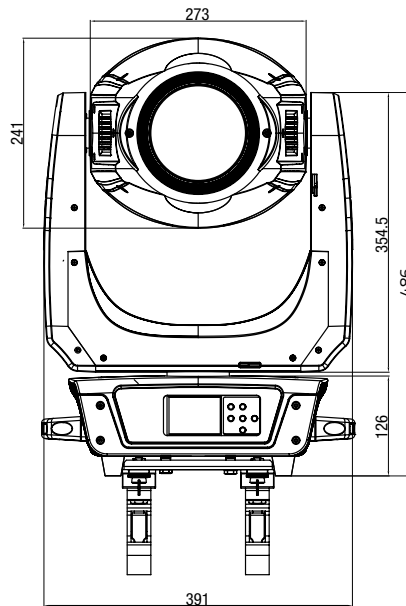
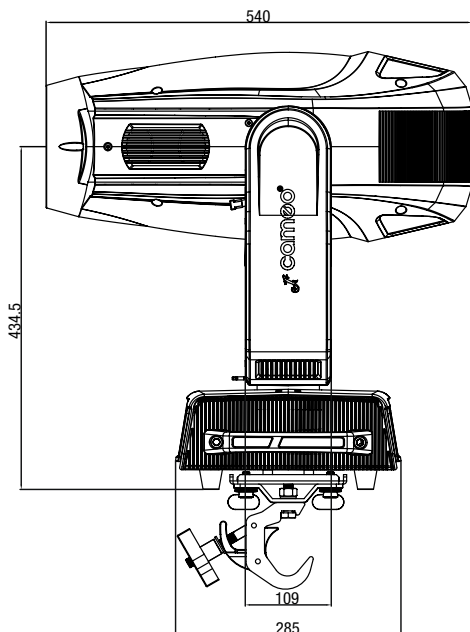


### PHOTOMETRICAL DATA



### SPECIFICATIONS

Product type	LED Moving Lights
Type	Moving Head
Colour spectrum	RGBAL
Number of LEDs	1
LED type	300 W
Refresh rate	Adjustable to 25000 Hz
Dispersion	6 - 44 °
DMX input	XLR 3-pin male, XLR 5-pin male
DMX output	XLR 3-pin female, XLR 5-pin female
DMX Functions	Animation Wheel, Auto Movement, Colour wheel, Dimmer, Focus, Focus Fine, Frost, Gobo Wheel 1, Gobo Wheel 2, Prism, Rotation Fine Gobo Wheel, Rotation Gobo Wheel, Rotation Prism, strobe, TILT FINE, Zoom, Device Settings, Dimmer Fine, Framing Blade Rotation, Framing Blades, Iris, PAN, PAN FINE, Set Dimmer Curve, TILT, Zoom Fine
Power connector	Neutrik True 1 IN / OUT
Weight	28.95 kg



Features and specifications subject to change without notice.

[adamhall.com](http://adamhall.com)