

# ZENIT® W600 SMD

OUTDOOR SMD LED WASH LIGHT AND STROBE  
RGBW VERSION



## FEATURES

- ▶ Featuring a total of 504 SMD 4-in-1 LEDs with up to 41,000 lm luminous flux for extreme brightness
- ▶ Precise and high-resolution colours, as well as mixed colours in the RGBW spectrum
- ▶ 12 individually controllable segments
- ▶ Boost in blinder mode for temporarily increased output
- ▶ IP65 rated for permanent outdoor use
- ▶ High-resolution dimmer response thanks to 16-bit technology
- ▶ 2,700 - 6,500 K colour temperature and CRI 85 for uncompromised colour reproduction
- ▶ Integrated 2.4 GHz W-DMX™ transceiver
- ▶ Control via W-DMX™, DMX and RDM (via DMX and W-DMX™)
- ▶ Temperature-controlled fans for optimised low-noise operation



## DESCRIPTION

### Designed for discerning lumen beings

With the ZENIT® W600 SMD, you, as a lighting and event technician, can deliver an extremely bright and uniform floodlight in the RGBW spectrum with a high output of up to 41,000 lm. The ZENIT® has been designed in accordance with protection class IP65 for demanding, permanent outdoor use at medium-sized and large professional events up to the lighting of television shows. The W600 SMD is equipped with 504 SMD LEDs and is ideal for use as a floodlight, as well as for stage effects such as strobes or running lights.

### Wireless control and fine segment control

The ZENIT® W600 SMD can be controlled via RDM and DMX. A 2.4 GHz W-DMX™ transceiver from Wireless Solution Sweden is also integrated to enable cable-free control as well as wireless master and slave operation. The powerful W600 SMD facilitates precise, independent control of a total of 12 segments via pixel control, even across multiple spotlights.

### High-resolution dimmer response and colour mixing with 16-bit technology

Advanced 16-bit technology ensures high-resolution colours, mixed colours, and optimal dimmer response. You can choose between four dimmer curves, and you can also simulate the dimming characteristics of a classic halogen lamp. You also benefit from the wide beam angle of 118° to ensure intense and consistent colours.

### Sophisticated cooling concept

Three temperature-controlled fans provide reliable cooling in the cast aluminium housing. Depending on the sound sensitivity of the event, you can choose between three preconfigured modes, such as automated fan control or convection cooling for noiseless operation. The ZENIT® W600 SMD is your perfect tool for highly professional lighting, with features including output capability, precise colours and ease of use.

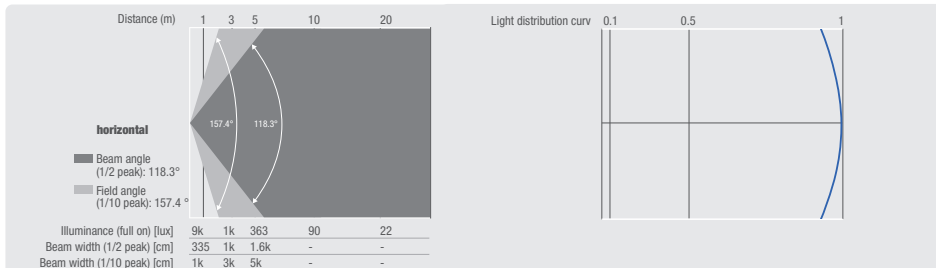
# ZENIT® W600 SMD

## OUTDOOR SMD LED WASH LIGHT AND STROBE

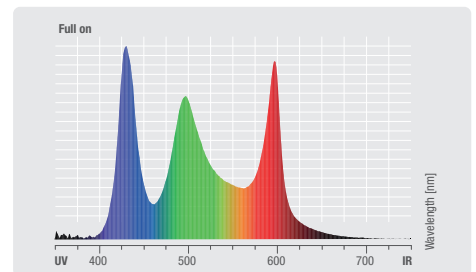
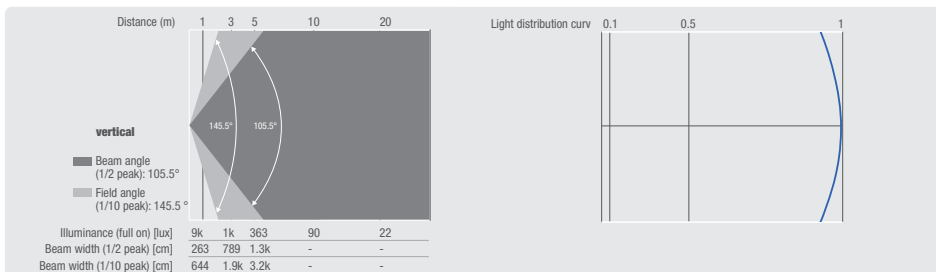
### RGBW VERSION



#### PHOTOMETRICAL DATA



|         | Luminous flux | Chromaticity coordinates | CCT       | R <sub>a</sub> |
|---------|---------------|--------------------------|-----------|----------------|
| Full on | 26184 lm      | x 0.302 y 0.319          | 2400-6800 | 85             |
| Red     |               | x 0.679 y 0.304          |           |                |
| Green   |               | x 0.204 y 0.650          |           |                |
| Blue    |               | x 0.154 y 0.042          |           |                |
| White   |               | x 0.302 y 0.319          |           |                |
| 3200K   |               | x 0.430 y 0.391          |           |                |
| 5600K   |               | x 0.347 y 0.342          |           |                |



#### SPECIFICATIONS

|                   |  |
|-------------------|--|
| Product type      | LED Outdoor Wash Light   |
| Type              | Outdoor  |
| Colour spectrum   | RGBW   |
| Number of LEDs    | 504  |
| LED type          | 4in1 SMD   |
| LED PWM Frequency | 800 Hz, 1200 Hz, 2000 Hz, 3600 Hz, 12 kHz, 25 kHz - adjustable                               |
| Refresh rate      | Adjustable   |
| Dispersion        | 118° (without SnapMag® filter frame)   |
| Lens              | PE and tempered glass  |
| DMX input         | 5-pin IP65   |
| DMX output        | 5-pin IP65   |
| DMX mode          | 5-channel, 4-channel, 3-channel, 2-channel 2, 2-channel 1, 1-channel                         |
| DMX Functions     | System settings, Strobe Duration, strobe, Dimmer Response, Dimmer Fine, Dimmer Curve, Dimmer |
| Standalone modes  | Static, Master / Slave mode  |

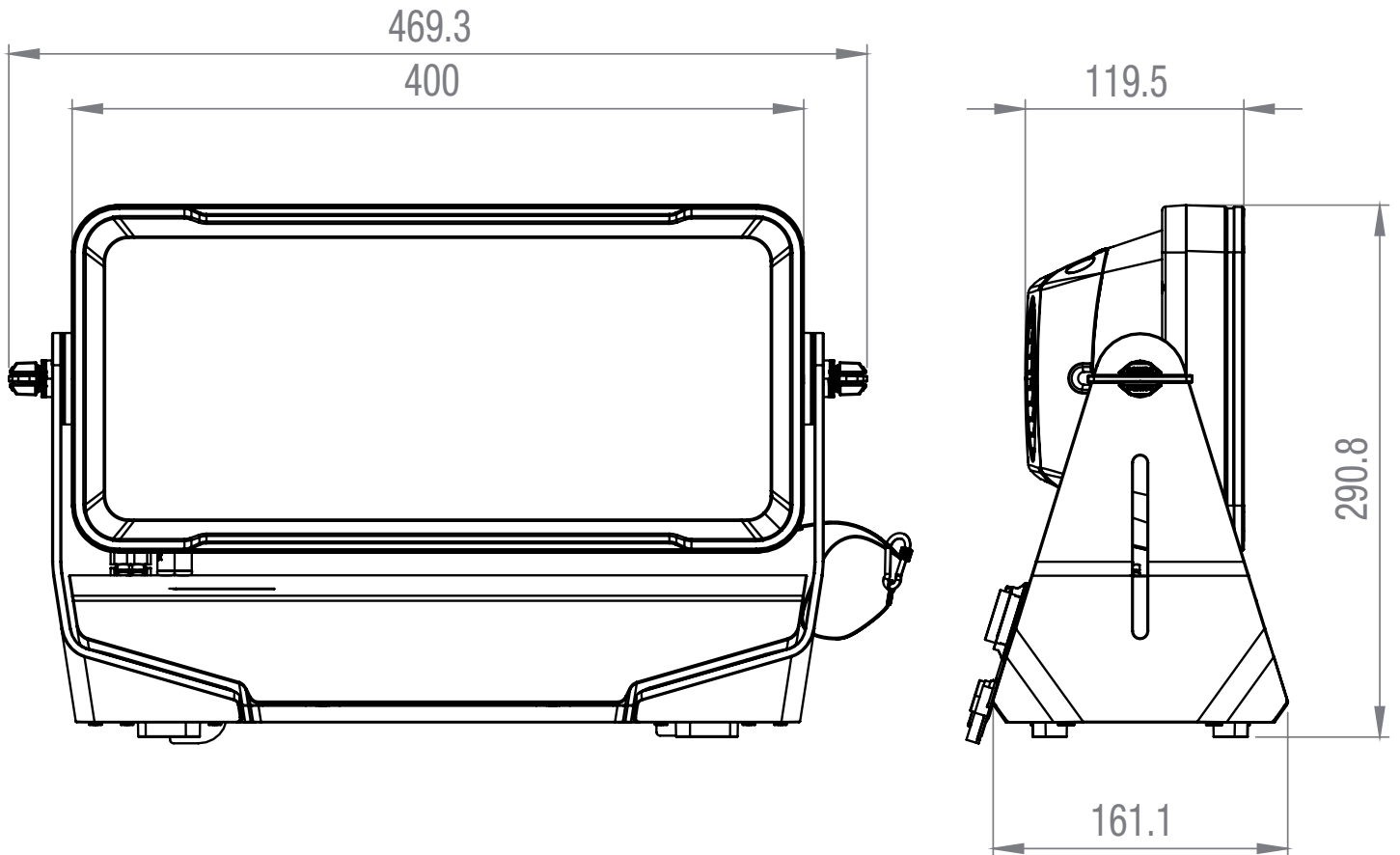
|                                 |                                   |
|---------------------------------|-----------------------------------|
| Controls                        | Value Down, Utility, Mode, Enter  |
| Indicators                      | OLED Display                      |
| Operating voltage               | 100 V AC - 240 V AC, 50 - 60 Hz   |
| Powerfaktor                     | 0,94 @ 230 V / 0,99 @ 110 V       |
| Power consumption               | 580 - 1100 W                      |
| Power supply connection         | PowerCON TRUE1 compatible         |
| Housing material                | Aluminium                         |
| Cabinet colour                  | Black, Black                      |
| Protection class IP             | IP65                              |
| Cooling                         | Temperature controlled fan (IP65) |
| Luminous flux                   | 41000 lm                          |
| Ambient temperature (operating) | -15 - 40 °C                       |
| Accessories (included)          | Power cord, 2 x omega mounting    |
| Width                           | 463 mm                            |
| Length                          | 291 mm                            |
| Height                          | 161 mm                            |
| Weight                          | 13 kg                             |

# ZENIT<sup>®</sup> W600 SMD

OUTDOOR SMD LED WASH LIGHT AND STROBE  
RGBW VERSION



## DIMENSIONS (mm)



Features and specifications  
subject to change without notice.

[adamhall.com](http://adamhall.com)