

OTOS® B5

IP65 BEAM MOVING HEAD



FEATURES

- ▶ IP65 rated beam moving head with 480 W discharge lamp
- ▶ 11,500 lux @100 m, 511,000 lux @15 m
- ▶ High quality optics with 205 mm front lens
- ▶ Continuous CMY colour mixing + 14 dichroic filters for saturated colours and whites
- ▶ Particularly narrow beam angle of 1°
- ▶ Static gobo wheel with 19 gobos + open
- ▶ 3 rotatable and indexable prisms on two levels (overlapping)
- ▶ Easy handling and low weight (33 kg)
- ▶ Flexible control options via integrated W-DMX™ transceiver, DMX and RDM

DESCRIPTION

Razor-sharp, dazzlingly bright beams still characterise the appearance of modern lighting designs. With the OTOS® B5, you can create these expressive looks on any indoor or outdoor stage. The IP65-compliant beam moving head is a light-intensive powerhouse based on a 480 watt discharge lamp and delivers an illuminance of 11,500 lux at 100m. Via the high-quality optical system with 205 mm front lens, the OTOS® B5 shoots out its beams with an impressively narrow 1° beam angle and sets precise, assertive accents on concert and festival stages, in the context of outdoor events or in large TV show productions.

The effects section of the OTOS® B5 includes a static gobo wheel with 19 gobos + open and three rotatable and indexable prisms on two planes that allow you to create a variety of mid-air effects and add depth to your designs. You can also create a wide range of colours thanks to the CMY colour mixing and the additional colour wheel with 14 dichroic filters for particularly saturated colours.

Apart from the specific front lens, the housing of the OTOS® B5 is identical in construction to the IP65 hybrid moving head OTOS® H5, which ensures a harmonious appearance in the rig or even in the flight case when both fixtures are used together. In addition, the complete OTOS® series can be controlled via DMX, RDM and W-DMX™ (integrated transceiver). With a weight of only 33 kg, the OTOS® B5 Beam Moving Head is one of the lightest representatives of its performance class.

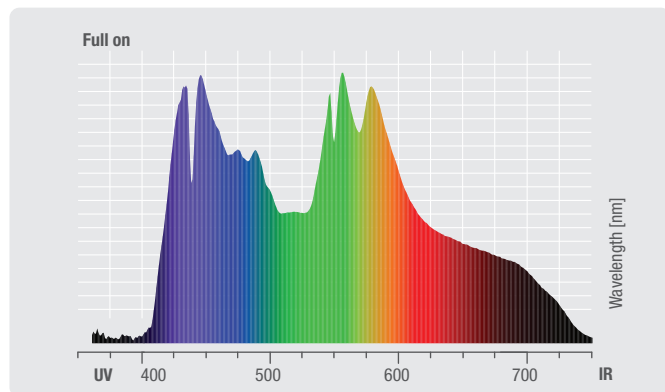
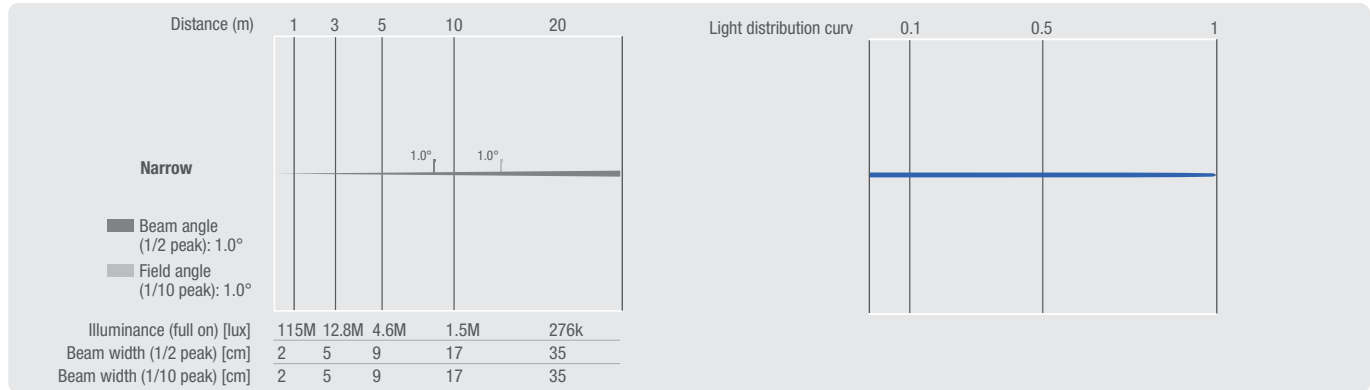


OTOS® B5

IP65 BEAM MOVING HEAD



PHOTOMETRICAL DATA



	Luminous flux	Chromaticity coordinates	CCT	R _a
Full on	14100 lm	x 0.304 y 0.317	7000	77

SPECIFICATIONS

Product type	Discharge Moving Lights
Type	IP65, Moving Head
Number of lamps	1
Type Lamp	Signify MSD Silver 480 W
Operating time of illuminant at rated power	1500 Hours
Maximum lifetime of illuminant	3000 Hours
Color temperature	6800 K
Colour spectrum	Cold white
Colour mixing function	CMY
Colour rendering index (CRI)	77
Color wheel Number of colors	14 + open and continuous positioning
Number of gobos	19 fixed + 1 open
Effects	2x prism layers (Ovalizer + 24x linear + 8x circular), Light frost filter
Dispersion	1 °
DMX input	XLR 5-pin male IP65
DMX output	XLR 5-pin female IP65
DMX mode	17-channel basic, 19-channel standard, 23-channel extended
DMX Functions	Colour wheel, Cyan, Cyan Fine, Dimmer, Dimmer Fine, Focus, Focus Fine, Frost, Gobo Shake, Gobo wheel, Magenta, Magenta Fine, Multifunctional Strobe, Pan/Tilt, Pan/Tilt fine, Pan/Tilt Macros, Pan/Tilt Speed, Prism 1/2, Prism Rotation, System settings, Yellow, Yellow Fine

Standalone Functions	Loop, Master / Slave mode, Quicklight, Scenes
System settings	Auto Lock, Blackout functions, Colour/ Gobo wheel, Display Illumination, Display Reverse, Feedback, Movement Blackout, Pan Reverse, Pan/Tilt Speed, reset, Scroll / Snap, Signal Fail, Sleep Mode, Sun protection, Test, Tilt Reverse, User default values
Control	DMX 512, RDM enabled, W-DMX™ (Transceiver)
Controls	Down, Enter, menu, Up
Indicators	Illuminated 2" TFT display
Operating voltage	100 V AC - 240 V AC, 50 - 60 Hz
Electrical protection class	1
Power consumption	700 W
Illuminance	11500 lx @ 100m, 4600000 lx @ 5m, 515000 lx @ 15m
Power connector	PowerCON TRUE1 compatible
Protection class IP	IP65
Ambient temperature (in operation)	-15 - 40 °C
Housing material	Magnesium
Cabinet colour	Black
Housing Cooling	Temperature-controlled fan
Width	457 mm
Height	749 mm
Depth	335 mm
Weight	33 kg
Accessories (included)	1 m power cable, 2 x omega mounting

Features and specifications subject to change without notice.

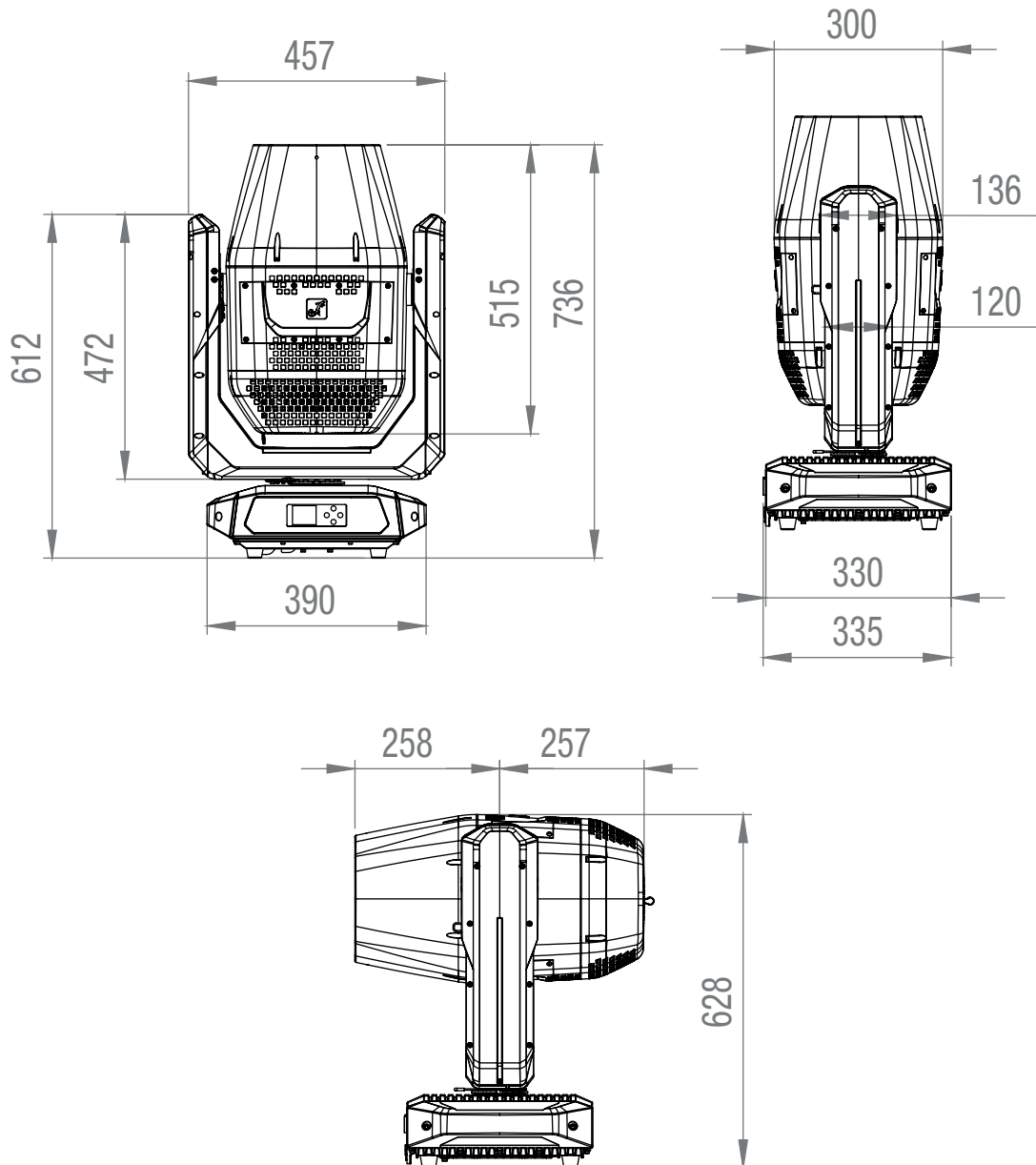
adamhall.com

OTOS® B5

IP65 BEAM MOVING HEAD



DIMENSIONS (mm)



Features and specifications
subject to change without notice.

adamhall.com