

Q-SPOT 40i

COMPACT IP65 OUTDOOR SPOTLIGHT
WITH 40W RGBA LED IN BLACK AND WHITE HOUSING



FEATURES

- ▶ Compact LED outdoor spotlight with single 40W RGBA LED
- ▶ IP65 rated for permanent outdoor installation
- ▶ Custom lens with 4.5° beam spread for uniform light intensity
- ▶ RDM enabled
- ▶ 360° rotatable anti-glare shield
- ▶ 16-bit technology for high definition colors and ultra smooth dimming
- ▶ 4 high resolution dimming curves with adjustable response
- ▶ 4 modes of DMX control plus master, slave and standalone capability
- ▶ OLED display with 4 touch buttons for easy configuration
- ▶ Convection cooling for noiseless performance
- ▶ Includes ground spike and 2 replacement lenses for 10° or 25° beam angles, Power & DMX IN cables and endcaps for Power & DMX I/O
- ▶ IR remote control optionally available (item no. CLQSREMOTE2)
- ▶ Available in black or white housing

DESCRIPTION

Highlighting objects with pinpoint accuracy and showcasing them in brilliant colors both indoors and outdoors - that is the forte of Cameo's Q-Spot 40i. Rated IP65, the compact luminaire is the perfect choice for private and public spotlighting and suitable for garden parties, parks, galleries and museums. It is equipped with a powerful 40 watt RGBA LED that has a 50,000 hour life expectancy and comes with a 360° rotatable anti-glare shield.

The Q-Spot 40i is RDM enabled and sports a custom lens for a tightly focussed 4.5° beam spread. It comes with two replacement lenses offering versatility and a choice of 10° and 25° angles. Using 16-bit technology, the spotlight achieves intense, high definition RGBA color mixes and ultra smooth dimming with selectable curves and response. It operates without flicker, and highly efficient convection cooling ensures noiseless operation and minimum maintenance requirements.

The Q-Spot 40i provides 4 modes of DMX control, autorun programs and master, slave and standalone capability. The spotlight features a bright OLED display with 4 touch buttons for easy configuration. The rugged all-metal housing provides 3-pin DMX and power inputs and outputs with waterproof threaded coupling for trouble-free daisy-chaining and power linking. The Q-Spot 40i is available with a black (item no. CLQS40IB) or white housing (item no. CLQS40IW).



Features and specifications
subject to change without notice.

adamhall.com

Q-SPOT 40i

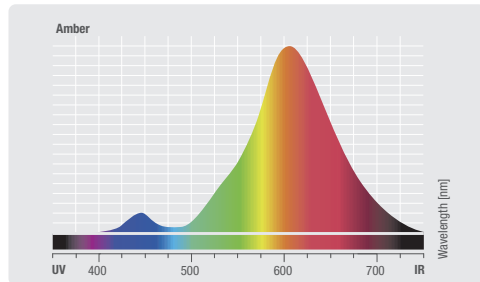
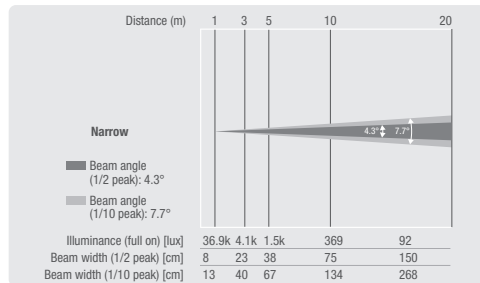
COMPACT IP65 OUTDOOR SPOTLIGHT
WITH 40W RGBA LED IN BLACK AND WHITE HOUSING



PHOTOMETRICAL DATA

Luminous flux Chromaticity coordinates

Color	Luminous flux (lm)	x	y
All LEDs on	582	0.207	0.163
Red	93	0.699	0.294
Green	223	0.153	0.676
Blue	54	0.155	0.025
Amber	245	0.523	0.422

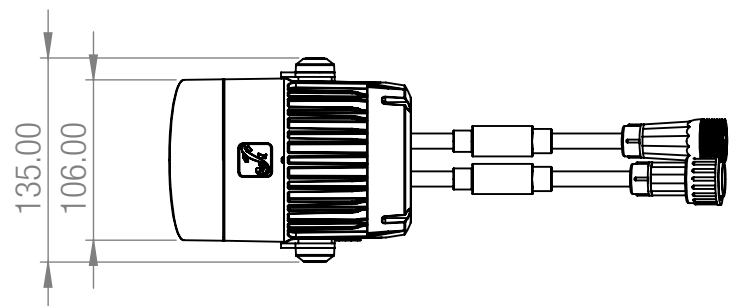
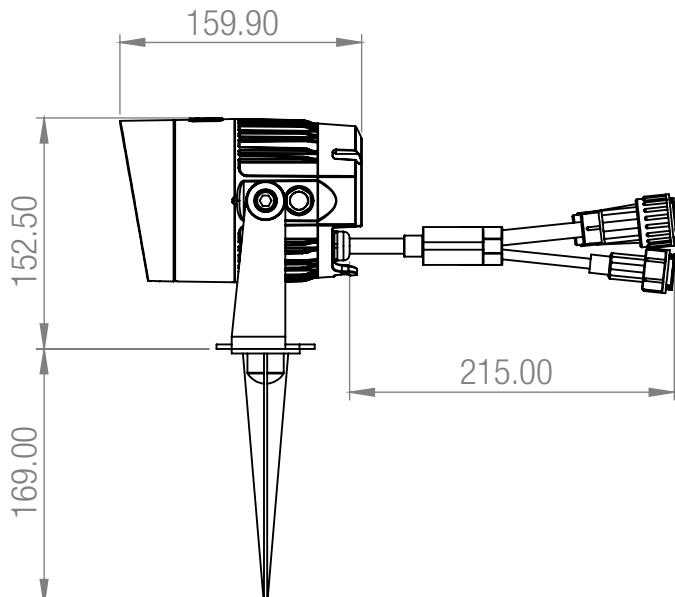


SPECIFICATIONS

Product type	LED PAR Lighting
Type	Outdoor
Color spectrum	RGBA
Number of LEDs	1
LED type	40 W
Average LED lifetime	50000 hrs.
Refresh rate	3600 Hz
Dispersion	4.5° (10°, 25° over optional diffusors) °
DMX input	3-pole IP65 plug, screwable
DMX output	3-pole IP65 plug, screwable
Protocols	USITT DMX-512
DMX mode	3-channel 1, 9-channel, 4-channel, 2-channel
DMX Functions	Master dimmer, strobe, RGBW, color macro, color jump
Wireless DMX	No
Standalone modes	Slave mode, color fade, color macro, color jump, Auto run
Controls	Mode, Value Up, Value Down, Enter
Indicators	OLED Display
Operating voltage	100 V AC - 240 V AC, 50 - 60 Hz
How many devices can be connected (110 V)	5
How many devices can be connected (240 V)	5
Power consumption	48 W
Power connector	3-pole IP65 plug, screwable
Max. output current	12 A
Power supply connection	3-pole IP65 plug, screwable
Housing material	Metal
Cabinet color	Black
Protection class IP	IP65
Cooling	Convection
Illuminance	36900 lx @ 1 m
Luminous flux	582 lm
Maximum Ambient Temperature	0 - 40 °C
Width	107 mm
Height	150 mm
Depth	160 mm
Weight	1.9 kg

Accessories (included)

End caps for Power Out & DMX Out, Power IN Cable, DMX IN Cable



Features and specifications
subject to change without notice.

adamhall.com