

P2 FC

LED PROFILE SPOTLIGHT WITH FULL-COLOUR LED



FEATURES

- ▶ Full-colour LED profiler with 230 W RGBAL COB LED
- ▶ High CRI (>94Ra) and TLCI (>93) for natural colour rendering
- ▶ 17,000 lm luminous flux replaces conventional profile spotlight with 750 W halogen lamp
- ▶ Stepless adjustment of colour temperature 1,800 - 8,000 K
- ▶ Interchangeable fixed optics (19°, 26°, 36°, 50°) and zoom optics (15°-30°, 25°-50°)
- ▶ Integrated presets for LEE colour filters
- ▶ Integrated calibration chip for uniform colour reproduction
- ▶ Dim-to-warm function to emulate traditional light sources
- ▶ Control via DMX, RDM or W-DMX (via optional Cameo iDMX Stick)
- ▶ Silent fan with different fan modes for every application area



DESCRIPTION

Whether in the theatre, on a TV show or on an event stage - people and objects must always be optimally illuminated to give spectators and cameras a perfect picture of the action. To meet the requirements of lighting designers, directors, agencies, artists or company directors in any situation, Cameo has developed the P series: LED profile spotlights for the professional theatre, TV and event sector.

Anyone who sets people and objects in motion in scene with just one light beam must be able to rely on two aspects: Handling and light quality. The P2 FC convinces in both disciplines. The 230-watt RGBAL COB LED emits a high-quality light with 17,000 lm luminous flux and continuously adjustable colour temperature (1,800 - 8,000 K) and is the perfect replacement for conventional, power-hungry 750 W profile spotlights in theatres, musicals, TV studios, at congresses or event stages in the live and corporate sector. Equipped with a high CRI of over 94 R_a and a TLCI value of over 93, people and objects shine in perfectly defined colours at all times. Thanks to the integrated LEE colour filter presets and a calibration chip for uniform colour rendering when using different batches, the P2 FC ensure a uniform, coherent (light) image at all times.

The profilers of the Cameo P series can be flexibly adapted to different stage requirements via a variety of optional interchangeable lenses. There is a choice of interchangeable lenses with fixed beam angles (19°, 26°, 36° and 50°) as well as zoom lenses for the ranges 15°-30° and 25°-50°. Even more versatile is the use in combination with the optionally available Cameo iDMX Stick to control the P2 FC not only via DMX and RDM, but also wirelessly via W-DMX.

In the development of the P-series, Cameo deliberately took its cue from the extremely successful theatre and TV spotlights of the F-series. Thus, the F and P series harmonise with each other both visually and in terms of their photometric properties, forming a perfectly matched lighting duo for theatres, TV, congresses and corporate events.

Features and specifications
subject to change without notice.

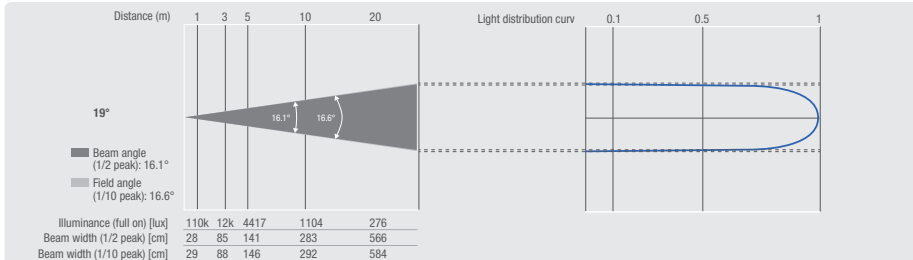
adamhall.com

P2 FC

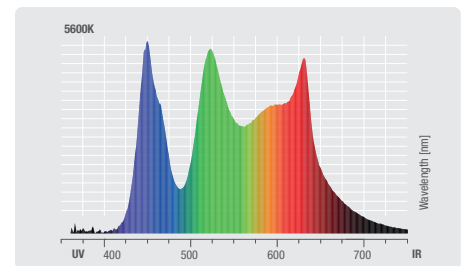
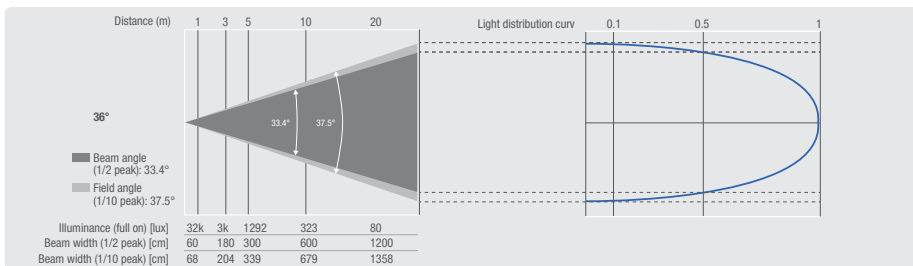
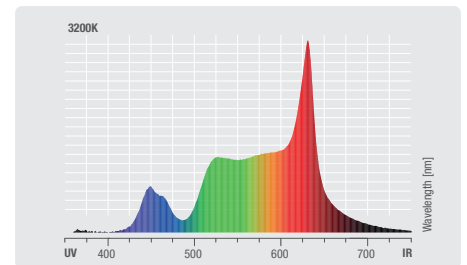
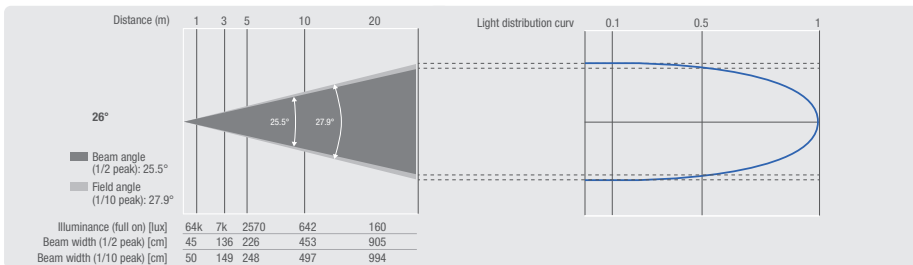
LED PROFILE SPOTLIGHT WITH FULL-COLOUR LED



PHOTOMETRICAL DATA



	Luminous flux	Chromaticity coordinates	CCT	R _a
Full on	16410 lm	x 0.330 y 0.345	1.8K - 8K	94
Red (calibrated)	2683 lm	x 0.666 y 0.306	-	-
Green (calibrated)	4610 lm	x 0.181 y 0.672	-	-
Blue (calibrated)	1396 lm	x 0.159 y 0.049	-	-
Amber (calibrated)	13006 lm	x 0.546 y 0.427	-	-
Lime (calibrated)	19220 lm	x 0.408 y 0.539	-	-
3200K (calibrated)	18523 lm	x 0.434 y 0.411	3094	94
5600K (calibrated)	12017 lm	x 0.343 y 0.358	5081	94



SPECIFICATIONS

Product type	LED profile spotlight
Colour spectrum	RGBAL
Color temperature	1800 - 8000 K
Luminous flux	17000 lm
LED type	5in1 RGBAL COB LED
Refresh rate	800 - 25000 Hz
Lenses (optional)	Interchangeable Lens-Tubes
Dispersion	15 - 30 °, 19 °, 25 - 50 °, 26 °, 36 °, 50 °
Inputs	iDMX slot, XLR (5-pin)
Outputs	XLR (5-pin)
Dimmer curves	Exponential, Linear, Logarithmic, Square
Dimmer resolution	16 bit
Strobe	0 - 20 Hz
CRI	>94 Ra
TLCI	>93
Control	DMX, Master / Slave mode, RDM, Standalone, W-DMX via iDMX stick
DMX Functions	Device Settings, Dimmer, Dimmer Curve, strobe
System settings	Default settings, Dimmer, Dimmer Response, Display, Fan mode, LED PWM Frequency, Signal Fail, Wireless

Controls	Push & turn encoder
Indicators	OLED Display
Protection class IP	IP20
Ambient temperature (operating)	-10 - 40 °C
Relative Humidity	< 80 %, not condensing
Cooling	Convection, low-noise fan
Operating voltage	100 V AC - 240 V AC, 50 - 60 Hz
Power connector	TRUE1 Compatible Power I/O Socket
Housing material	Die-cast aluminium, Magnesium
Cabinet colour	Black
Weight	10,5 kg
Dimensions without lens top	
Width	245 mm
Height	202 mm
Depth	462 mm

Features and specifications subject to change without notice.

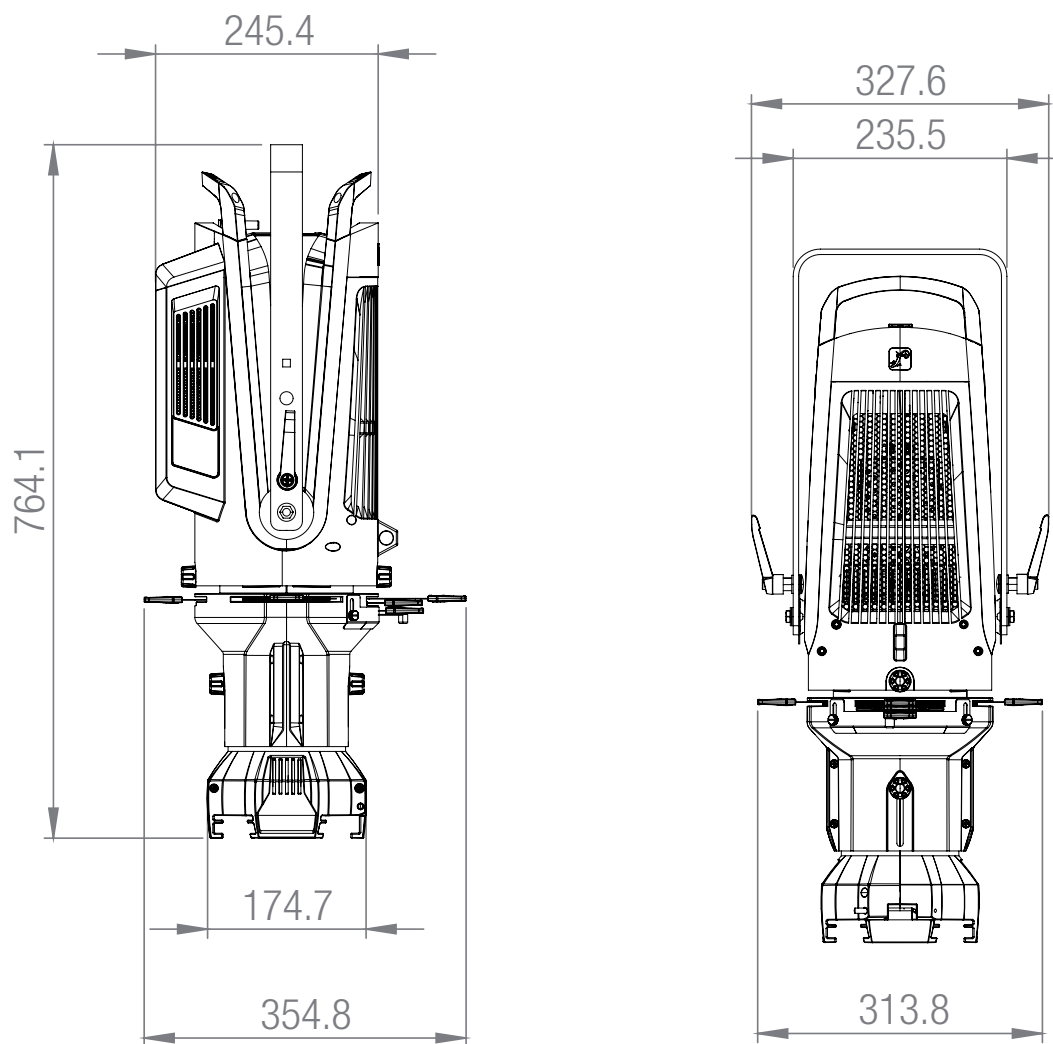
adamhall.com

P2 FC

LED PROFILE SPOTLIGHT WITH FULL-COLOUR LED



DIMENSIONS (mm)



Features and specifications
subject to change without notice.

adamhall.com