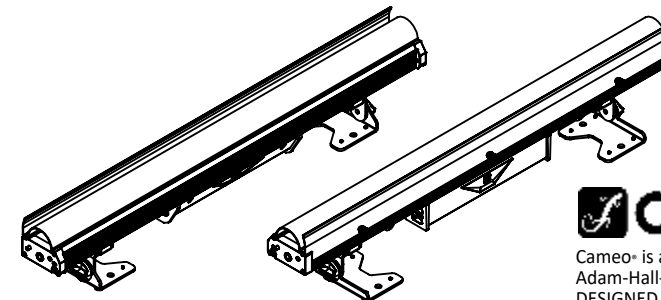


ROOT BAR SMD

Art No.: CLROOTBARSMD
 Drawing No.: 018638-4
 Scale 1:20



Cameo is a registered brand of the Adam Hall Group.
 Adam-Hall-Str. 1 · 61267 Neu-Anspach · Germany
 DESIGNED AND ENGINEERED IN GERMANY. Assembled in PRC