

OPUS® X PROFILE

HIGH-POWER PROFILE MOVING HEAD



FEATURES

- ▶ High-power profile moving head with 33,000 lm / 72,000 lux (@ 5 m)
- ▶ CMY colour blending and additional colour wheel with 6 dichroic filters
- ▶ High-quality appearance with 170-mm front lens and especially wide zoom range of 6° to 48°
- ▶ Angle and position of each diaphragm slider adjustable to complete closure
- ▶ Rotatable animation wheel, rotating gobo wheel and static gobo wheel
- ▶ Rotatable and indexable circular fivefold prism and linear sixfold prism
- ▶ Variable frost filter for wash light effects and continuously adjustable iris diaphragm
- ▶ Smooth dimming with 16-bit resolution and 4 selectable curves
- ▶ Battery-powered touchscreen display with rotary encoder
- ▶ Flexible control via built-in W-DMX™ transceiver, DMX, RDM, Art-Net or sACN

DESCRIPTION

Drawing only 750 W, achieve the same lighting performance that conventional devices require 1000 W for! This is possible thanks to the extremely efficient light engine of this incredibly modern high-power moving head from Cameo: the OPUS® X Profile.

The light engine efficiency of the Cameo OPUS X Profile Moving Head (item no.: CLOXP) can be seen throughout its design philosophy. This makes it possible to achieve 33,000 lm at a lighting power of 72,000 lux @ 5 metres. The complete setup with effects for use as spot and profile in this efficient and modern moving head is further augmented with the additional framing module. The high-quality optic with 170 mm front lens and a remarkably wide zoom range of 6° to 48° offers almost inexhaustible design

possibilities. Be inspired by the combination of CMY colour blending and an additional colour wheel with 6 dichroic filters.

Cleverly coordinated and balanced functional features facilitate consistent projection without hotspots. The complete zoom range is smoothed out with linear CTO correction from cold white 6,500 to 2,600 K in the light intensity. The moving head is equipped with a +/- 45° rotatable, fourfold diaphragm slider system. Flickering in camera images is reliably prevented thanks to selectable PWN frequencies of up to 25 kHz. Light designers appreciate the rotatable animation wheel that doesn't limit their creativity. Fascinating lighting effects are created with the rotating gobo wheel in combination with six indexable, rotatable and exchangeable glass gobos, or optionally open. Alternatively, the static gobo wheel is available with seven exchangeable glass gobos or for open application.

With the circular fivefold prism, which is rotatable and indexable, and the linear sixfold prism, undreamed of possibilities for designing lighting effect sequences open up when used as a spot or profile. The angle and position of each diaphragm slider can be adjusted to achieve complete darkness. Combined with the variable frost filter for wash light effects and the continuously variable iris diaphragm, the creativity potential of this moving head is further multiplied. In standalone operation, control is either in static mode or on a master/slave basis and configured under independent power via the battery-powered touchscreen display with six touch keys. Greater flexibility is provided by the integrated W-DMX™ transceiver, DMX, RDM, Art-Net or sACN for controlling functions such as smooth dimming with 16-bit resolution and four selectable curves.

The attractive design of the spot and profile moving head proves itself in everyday use. Inside the robust metal and ABS plastic housing is a temperature-controlled fan working quietly to keep the housing cool. The separate power cable is one metre long and fitted with a Neutrik powerCON TRUE1 connector. The two included Omega mounting brackets allow for flexible installation of the spot/profile moving head.

Features and specifications
subject to change without notice.

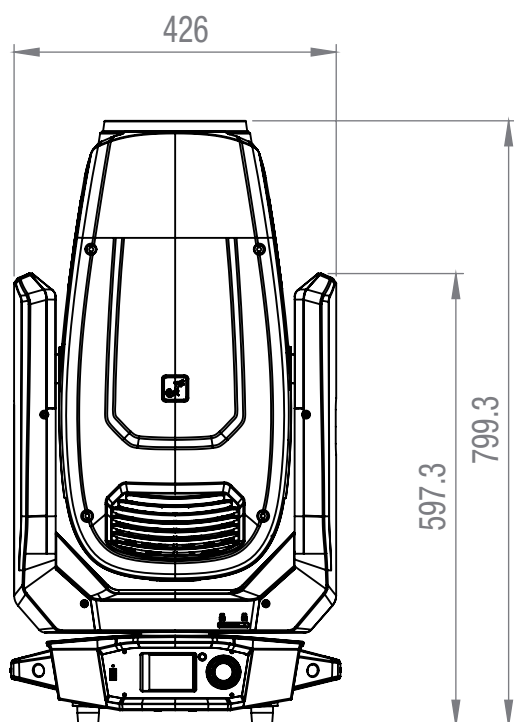
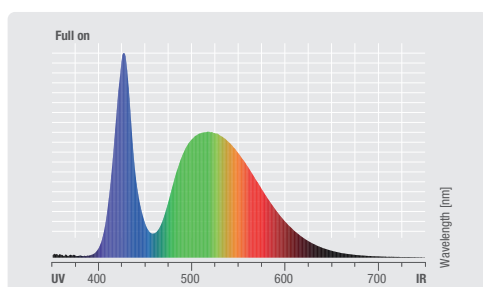
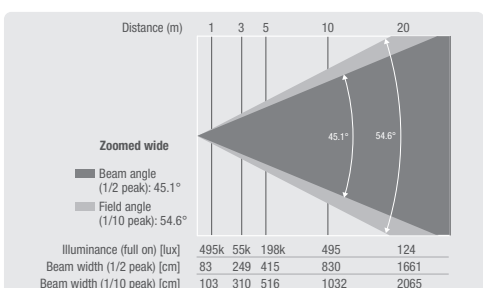
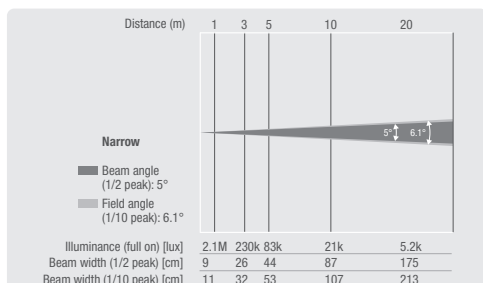
adamhall.com

OPUS® X PROFILE

HIGH-POWER PROFILE MOVING HEAD



PHOTOMETRICAL DATA



SPECIFICATIONS

Product type	LED Moving Lights
Type	Moving Head
Colour temperature	Cold White, 6100 K
LED PWM Frequency	650 Hz, 1530 Hz, 3600 Hz, 12000 Hz, 25000 Hz (adjustable)
Colour mixing function	CMY, CTO
Colour wheel Number of colors	6 + open and continuous positioning
LED type	750 W LED, white
Type Lamp	750 W LED
Dispersion	6 - 48 °
Effects	2 x Frost, 2 x Prism, Rotatable shutters
Number of gobos	13 + open (7 fixed + 6 rotating)
DMX input	XLR 3-pin male, XLR 5-pin male
DMX output	XLR 3-pin female, XLR 5-pin female
DMX mode	37-channel, 55-channel
DMX Functions	Animation Wheel, Colour wheel, Colour wheel rotating, CTO, CTO Fine, Cyan, Cyan Fine, Dimmer, Dimmer Fine, Focus, Focus Fine, Frost 1/2, Gobo 1 Rotation, Gobo 1 Rotation Fine, Gobo 1 Shake, Gobo 2 Shake, Gobo Wheel 1, Gobo Wheel 2, Goborad 1 Rotation, Goborad 2 Rotation, Iris, LED Segment Dimmer, Magenta, Magenta Fine, Multifunctional Strobe, Pan/Tilt, Pan/Tilt fine, Pan/Tilt Macros, Pan/Tilt Speed, Prism 1/2, Prism Rotation, Shutter, Shutterblade Rotation, Sparkle FX, System settings, Yellow, Yellow Fine, Zoom, Zoom Fine
Standalone modes	Master / Slave mode, Static
System settings	Auto Focus, Auto Lock, Blackout functions, Colour/ Gobo wheel, Dimmer Curve, Display Illumination, Display Reverse, fan, Feedback, LED PWM Frequency, Motor Speed, Movement Blackout, pan, Pan Reverse, reset, Scroll / Snap, Signal Fail, Test, Tilt Reverse, User default values
Control	Art-Net, DMX512, RDM enabled, sACN, W-DMX™ (Transceiver)
Controls	Back Button, Encoder wheel, Touch screen
Indicators	Backlit colour LCD display, Battery supply for mains-independent system settings
Operating voltage	100 V AC - 240 V AC, 50 - 60 Hz
Power consumption	1200 W
Fuse	T15AL / 250 V
Power connector	Neutrik powerCON IN / OUT, Neutrik powerCON TRUE1 I/O
Housing material	ABS, metal
Cabinet colour	Black
Cooling	Silent, temperature controlled fan
Illuminance	72650 lx @ 5 m @ 6°
Luminous flux	33000 lm
Maximum Ambient Temperature	0 - 40 °C
Width	436 mm
Height	800 mm
Depth	312 mm
Relative Humidity	< 80 %, not condensing, < 85 %, not condensing
Weight	39 kg
Accessories (included)	1 m Power cable with Neutrik powerCON TRUE1 plug, 2 x omega mounting

Features and specifications subject to change without notice.

adamhall.com