

DROP® B4 (WH)

BATTERY POWERED OUTDOOR UPLIGHT



FEATURES

- ▶ Running time up to 12 hours
- ▶ Built-in 2.4 GHz W-DMX™ receiver
- ▶ 4 x 15 W RGBWAUV LEDs
- ▶ Up to 1400 lm total power output with homogeneous color blending
- ▶ LG Chem lithium ion long-life battery with extremely high capacity
- ▶ Battery management system prevents overcharging and deep discharging
- ▶ 16-bit technology for high-resolution colors and dimming
- ▶ W-DMX and infrared control or operation via OLED display
- ▶ 2 diffusers for flexible beam angles: 22°, 32° or 45°
- ▶ Also available as a set with power supply (product no. CLDROPB4SET1) or as touring set, six units in a flightcase with charging feature (product no. CLDROPB4SET2)
- ▶ IR remote control included (Art.-No.: CLQSREMOTE2)

DESCRIPTION

Flexibility meets design! Professionals and rental firms are better prepared with this battery-powered PAR! Whether they're standing, hanging or mounted in some other way, our DROP series uplights always look good. This is thanks to their intelligently attached bracket with no visible screws. The innovative bracket is screwed onto the uplight from below and not from the side as is standard. When unmounted, the lamp boasts a very clean, simple exterior.

Mounting options are flexible, either on the bracket or standing on rubber feet. When positioned upright and standing (without the mounted bracket), a built-in adjustment screw is available for tilt manipulation. Rated with protection class IP65, this uplight is also suitable for outdoor use. The long-life battery also ensures reliable operation.

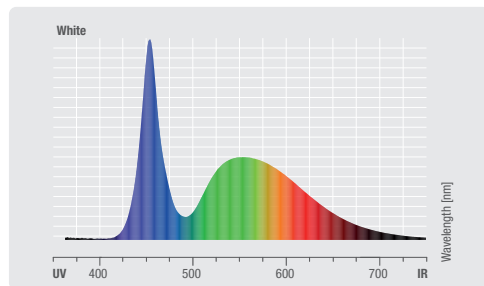
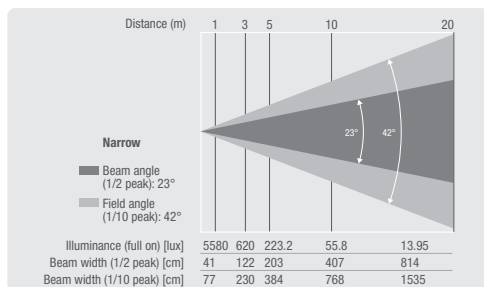
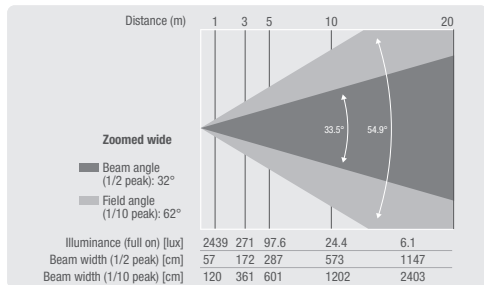


DROP® B4 (WH)

BATTERY POWERED OUTDOOR UPLIGHT



PHOTOMETRICAL DATA

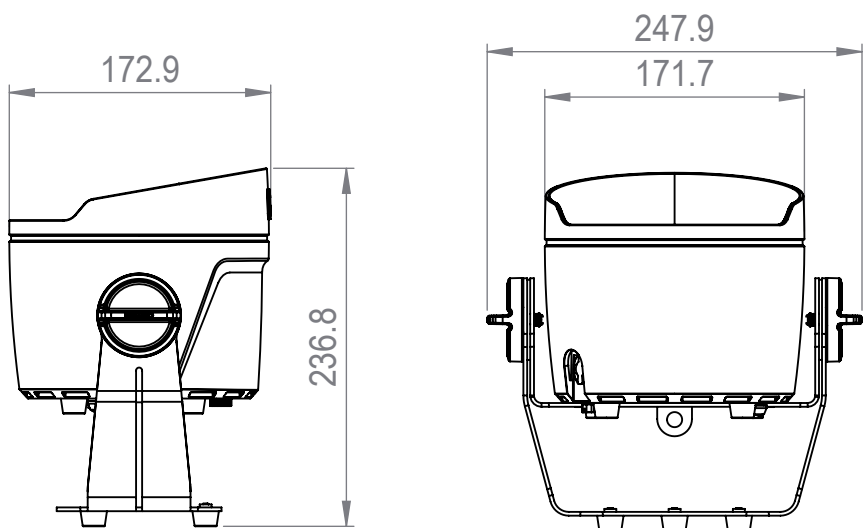


SPECIFICATIONS

Product type	Battery powered LED outdoor lighting
Type	Outdoor PAR, PAR
Color spectrum	RGBWA + UV
Number of LEDs	4
Color temperature	(Filter 1) 32 K, (Filter 2) 45 K, 22 K
DMX mode	2 x 13-channel, 20-channel, 3-channel, 4-channel, 6-channel, 7-channel
DMX Functions	CCT, color change, color fade, color macro, Dimmer, Dimmer Curve, Dimmer Fine, Dimmer Response, DMX Delay, LED PWM Frequency, RGBWA + UV Fine, strobe
Standalone modes	Auto programs, color macro, Color Mix, strobe, Tunable White, User Colors
Controls	Down, Enter, Mode, Up
Indicators	OLED Display
Operating voltage	100 V AC – 240 V AC, 50 – 60 Hz
Power consumption	75 W
Power connector	External Power Supply
Housing material	Metal
Cabinet color	Black
Protection class IP	IP65
Cooling	Convection
Illuminance	6750 lx @ 1 m
Luminous flux	1400 lm
Maximum Ambient Temperature	0 – 40 °C
Certification	CE, ETL, FCC, RoHS

Dimensions including Mounting Bracket

Width	240 mm
Height	142.5 mm
Depth	162.5 mm
Relative Humidity	< 85 %, not condensing
Accessories (included)	1 x Mounting bracket, 2 x filter, IR Remote Control
Weight	3.1 kg



Features and specifications subject to change without notice.

adamhall.com