

USER'S MANUAL  
BEDIENUNGSANLEITUNG  
MANUEL D'UTILISATION  
MANUAL DE USUARIO  
INSTRUKCJA OBSŁUGI  
MANUALE D' USO



# UNISENS®

AMBIENT LIGHT TO DMX INTERFACE  
CLUNISENS

# **CONTENTS / INHALTSVERZEICHNIS / CONTENU / CONTENIDO / TREŚĆ / CONTENUTO**

## **ENGLISH**

INFORMATION ON THIS USER MANUAL	6
INTENDED USE	6
EXPLANATIONS OF TERMS AND SYMBOLS	6
SAFETY INSTRUCTIONS	7
NOTES ON PORTABLE OUTDOOR DEVICES	11
PACKAGING CONTENT	11
INTRODUCTION	11
CONNECTIONS AND OPERATING/DISPLAY ELEMENTS	12
APPLICATION EXAMPLES	14
CARE, MAINTENANCE, AND REPAIR	15
TECHNICAL DATA	16
EXPLANATION OF IP PROTECTION CLASS	17
DISPOSAL	18
MANUFACTURER'S DECLARATIONS	18

## **DEUTSCH**

INFORMATIONEN ZU DIESER BEDIENUNGSANLEITUNG	19
BESTIMMUNGSGEMÄSSER GEBRAUCH	19
BEGRIFFS- UND SYMBOLERKLÄRUNGEN	19
SICHERHEITSHINWEISE	20
HINWEISE FÜR ORTSVERÄNDERLICHE OUTDOOR-GERÄTE	24
LIEFERUMFANG	24
EINFÜHRUNG	24
ANSCHLÜSSE, BEDIEN- UND ANZEIGEELEMENTE	25
ANWENDUNGSBEISPIELE	27
PFLEGE, WARTUNG UND REPARATUR	28
TECHNISCHE DATEN	30
ERLÄUTERUNGEN ZUR IP-SCHUTZART	30
ENTSORGUNG	31
HERSTELLERERKLÄRUNGEN	31

## **FRANÇAIS**

INFORMATIONS SUR CE MANUEL D'UTILISATION	33
UTILISATION CONFORME	33
EXPLICATIONS DES TERMES ET DES PICTOGRAMMES	33
CONSIGNES DE SÉCURITÉ	34

REMARQUES CONCERNANT LES APPAREILS D'EXTÉRIEUR	38
MOBILES	38
CONTENU DU CARTON	38
INTRODUCTION	38
CONNECTEURS, COMMANDES ET INDICATEURS/AFFICHEURS	39
EXEMPLES D'APPLICATION	41
ENTRETIEN, MAINTENANCE ET RÉPARATION	42
CARACTÉRISTIQUES TECHNIQUES	44
EXPLICATIONS RELATIVES À L'INDICE DE PROTECTION IP	44
MISE AU REBUT	45
DÉCLARATIONS DU FABRICANT	45

## **ESPAÑOL**

INFORMACIÓN SOBRE ESTE MANUAL DE USUARIO	47
USO PREVISTO	47
DEFINICIONES Y EXPLICACIONES DE LOS SÍMBOLOS	47
INSTRUCCIONES DE SEGURIDAD	48
INDICACIONES PARA EQUIPOS PORTÁTILES DE EXTERIOR	52
ELEMENTOS SUMINISTRADOS	52
INTRODUCCIÓN	52
CONEXIONES, CONTROLES E INDICADORES	53
EJEMPLOS DE APLICACIÓN	55
CUIDADO, MANTENIMIENTO Y REPARACIÓN	56
CARACTERÍSTICAS TÉCNICAS	58
EXPLICACIONES SOBRE LA CLASE DE PROTECCIÓN IP	58
RECICLAJE	59
DECLARACIÓN DEL FABRICANTE	59

## **POLSKI**

INFORMACJE DOTYCZĄCE NINIEJSZEJ INSTRUKCJI OBSŁUGI	61
UŻYTKOWANIE ZGODNE Z PRZEZNACZENIEM	61
OBJAŚNIENIA TERMINÓW I SYMBOLI	61
ZASADY BEZPIECZEŃSTWA	62
UWAGI DOTYCZĄCE PRZENOŚNEGO SPRZĘTU ZEWNĘTRZNEGO	66
ZAKRES DOSTAWY	66
WPROWADZENIE	66
PRZYŁĄCZA, ELEMENTY OBSŁUGI I WSKAŹNIKI	67

PRZYKŁADY ZASTOSOWANIA	69
CZYSZCZENIE, KONSERWACJA I NAPRAWY	70
DANE TECHNICZNE	72
OBJAŚNIENIA DOTYCZĄCE STOPNIA OCHRONY IP	72
UTYLIZACJA	73
OŚWIADCZENIA PRODUCENTA	73

## **ITALIANO**

INFORMAZIONI SU QUESTO MANUALE D'ISTRUZIONI	75
USO CONFORME	75
SPIEGAZIONE DI TERMINI E SIMBOLI	75
INDICAZIONI SULLA SICUREZZA	76
AVVERTENZE PER DISPOSITIVI PORTATILI PER ESTERNI	80
DOTAZIONE	80
INTRODUZIONE	80
CONNESSIONI, ELEMENTI DI COMANDO E INDICATORI	81
ESEMPI DI UTILIZZO	83
CURA, MANUTENZIONE E RIPARAZIONE	84
DATI TECNICI	86
SPIEGAZIONI SULLA CLASSE DI PROTEZIONE IP	86
SMALTIMENTO	87
DICHIARAZIONI DEL FABBRICANTE	87



## ENGLISH

You have made the right choice!

This device has been developed and manufactured to the highest quality standards to ensure many years of trouble-free operation. Please read this user manual carefully to be able to quickly put your new Cameo Light product to optimum use. Further information about Cameo Light is available on our website **CAMEOLIGHT.COM**

### INFORMATION ON THIS USER MANUAL

- Carefully read the safety instructions and the entire manual before operating the device.
- Observe the warnings on the device and in the user manual.
- Always keep the user manual within reach.
- If you sell or pass on the device, it is important that you also include this user manual, as it is an integral part of the product.

### INTENDED USE

This product is a device for event technology!

This product has been developed for professional use in the field of event technology and is not suitable for use as domestic lighting!

Furthermore, this product is only intended for qualified users with specialist knowledge of temporary operation! Event equipment is generally designed for temporary use only and not for continuous operation and fixed installation! Intended for event technology!

Use of the product that is not in accordance with the specified technical data and operating conditions is considered improper use!

Liability is exempted when damage and third-party damage to persons and property is caused by inappropriate use!

The product is not suitable for:

- Persons (including children) with limited physical, sensory, or mental abilities or lack of experience and knowledge.
- Children (children must be instructed not to play with the device).

### EXPLANATIONS OF TERMS AND SYMBOLS

1. **DANGER:** The word DANGER, possibly in combination with a symbol, indicates immediately hazardous situations or conditions for life and limb.
2. **WARNING:** The word WARNING, possibly in combination with a symbol, indicates potentially hazardous situations or conditions for life and limb.
3. **CAUTION:** The word CAUTION, possibly in combination with a symbol, indicates situations or conditions that may lead to injury.
4. **ATTENTION:** The word ATTENTION, possibly in combination with a symbol, indicates situations or conditions that may lead to damage to property and/or the environment.



This symbol identifies hazards that can cause electric shock.



This symbol indicates hazardous areas or hazardous situations.



This symbol indicates hazards caused by hot surfaces.



This symbol indicates hazards caused by intense light sources.



This symbol indicates a device in which there are no user-replaceable parts.



This symbol indicates additional information on the operation of the product.

## SAFETY INSTRUCTIONS



### **DANGER:**

1. Do not open the device, and do not make any modifications to it.
2. If your device no longer functions properly, if liquids or objects get inside it, or if it has been damaged in any other way, switch it off immediately and disconnect it from the power supply. The device may be repaired only by authorised qualified personnel.
3. For devices of protection class 1, the protective conductor must be connected correctly. Never disconnect the protective conductor. Devices of protection class 2 do not have a protective conductor.
4. Ensure that live cables are not kinked or otherwise mechanically damaged.
5. Never bypass the device fuse.



### **WARNING:**

1. The device may not be operated if it shows obvious signs of damage.
2. The device may only be installed in a voltage-free state.
3. If the device's mains cable is damaged, the device may not be operated.
4. Permanently attached mains cables may only be replaced by a qualified person.



### **ATTENTION:**

1. Do not operate the device if it has been exposed to large temperature fluctuations (for example, after transport). Moisture and condensation may damage the device. Switch on the device only when it has reached ambient temperature.



2. Make sure that the voltage and frequency of the mains correspond to the values specified on the device. If the device has a voltage selector switch, do not connect the device until it has been set correctly. Use only suitable mains cables.
3. To disconnect the device from the mains at all poles, it is not sufficient to press the on/off switch on the device.
4. Make sure that the fuse used corresponds to the type specified on the device.
5. Make sure that appropriate measures have been taken against power surges (for example, lightning strike).
6. Observe the specified maximum output current on devices with Power Out connection. Ensure that the total current consumption of all connected devices does not exceed the specified value.
7. Replace plug-in mains cables only with original cables.

**DANGER:**

1. Danger of suffocation/choking! Plastic bags and small parts must be kept out of reach of persons (including children) with reduced physical, sensory, or mental capabilities.
2. Danger caused by falling device! Make sure that the device is securely installed and cannot fall down. Only use suitable stands or mounts (particularly for fixed installations). Ensure that accessories are properly installed and secured. Ensure that applicable safety regulations are observed.

**WARNING:**

1. Use the device only in the prescribed manner.
2. Operate the device only with the accessories recommended and intended by the manufacturer.
3. During installation, observe the safety regulations applicable in your country.
4. After connecting the device, check all cable routes to avoid damage or accidents, for example, due to tripping hazards.
5. Always observe the specified minimum distance to normally flammable materials! Unless explicitly stated, the minimum distance is 0.3 m.
6. Always observe the minimum distance to the illuminated surface specified on the device!

**CAUTION:**

1. Moving components such as mounting brackets or other movable components may become jammed.
2. Devices with motor-driven components may result in injury from the movement of the device. Sudden movement of the device can cause electric shock.



**ATTENTION:**

1. Do not install or operate the device near any radiators, heat registers, stoves, or other heat sources. Ensure that the device is always installed in such a way that it is sufficiently cooled and cannot overheat.
2. Do not place ignition sources such as burning candles near the device.
3. Ventilation openings must not be covered, and fans must not be blocked.
4. Use the original packaging or packaging provided by the manufacturer for transport.
5. Avoid shock or impact to the device.
6. Observe the IP protection class, as well as the ambient conditions such as temperature and humidity according to the specification.
7. Devices can be constantly further developed. In the event of deviating information on operating conditions, performance, or other device properties between the user manual and the device labelling, the information on the device always takes priority.
8. The device is not suitable for tropical climates and for operation at heights of 2,000 m above sea level or higher.
9. Unless explicitly stated, the device is not suitable for operation in marine conditions.

**PLEASE NOTE:**

For conversion or retrofit sets or accessories provided by the manufacturer, it is essential to observe the included instructions.

**BATTERY DEVICES AND CHARGERS:**

1. Keep the battery-powered device away from heat sources, and do not expose it to direct sunlight. Do not place it on or in heating appliances such as microwaves, ovens, or radiators. Batteries can explode if overheated. Always observe the care instructions and ensure the ambient conditions are appropriate! These are detailed in the technical specifications.
2. Do not open the device! Do not modify the battery, and do not attempt to replace the battery cells!
3. Battery cells or battery packs must not be damaged. Do not remove any protective film or stickers. Do not insert any foreign objects into the battery. Do not allow liquids to get into the battery. There is a risk of fire and explosion as well as other dangerous situations (for example, outgassing).
4. If the device becomes deformed or overheats, stop using it immediately! If you continue to operate the device, there is a danger of fire and explosion as well as a danger of other hazardous situations (for example, outgassing).
5. Do not throw the device into a fire! Danger of explosion!
6. Do not subject the device to strong mechanical effects! Damage caused by falling, crushing, or piercing, as well as high pressure, leads to a danger of fire and explosion as well as a danger of other hazardous situations (for example, outgassing).



7. Only charge the device or battery in the intended manner.
8. Please note that device's main switch does not deactivate the charging function on all devices.
9. In the case of charging devices built into transport cases, charging may only be carried out when the lid is open.
10. Leaked fluid is corrosive and can be toxic. It can cause skin and eye irritations and is dangerous if swallowed. Avoid any contact with leaked fluid. In the event of contact with leaked fluid, immediately wash the affected area with plenty of water and contact a doctor.



### **CHARGING, USING, AND STORING BATTERIES**

1. To charge permanently installed batteries, connect the device to the correct power supply. Please note that the device's main switch does not deactivate the charging function on all devices.
2. The charging time for a full charge of the battery can be found in the technical data. For information on how to display the battery charge status, see chapter OPERATION.
3. Devices with lithium batteries are equipped with standard protective features.
4. Do not charge the battery outside the ambient conditions specified in the technical data. Unless otherwise specified, these are between +5° and +35° Celsius in dry environments.
5. The permissible ambient conditions for operation can be found in the technical data. Unless otherwise specified, these must not be below +5°C or above +35°C in dry environments.
6. The permissible ambient conditions for storage can be found in the technical data. Unless otherwise specified, these must not be below +5°C or above +35°C in dry environments.
7. Fully recharge the battery immediately after discharge.
8. Only store the device with a fully charged battery. Batteries that are not fully charged may lose capacity and service life prematurely.
9. If the device is not to be used for a longer period of time, perform a full discharge and charge cycle no later than every three months.
10. The device's main switch must be switched off during storage.
11. The battery operating times specified always refer to a new battery and normal operating conditions.
12. The battery operating time may be shorter than specified when operated in cold environments.
13. If the operating time of the device in battery operation deviates significantly from the specifications, please contact your distribution partner.



## NOTES ON PORTABLE OUTDOOR DEVICES

1. Temporary operation! Event equipment is generally only designed for temporary operation.
2. Continuous operation or permanent structural installation – particularly outdoors – can impair the function, surfaces, and seals and cause premature material fatigue.
3. Damage to the surface coating can impair the device's corrosion protection. Damaged surface coating (for example, scratches) must be promptly repaired using suitable measures.

## PACKAGING CONTENT

Remove the product from the packaging, and remove all packaging material.

Please check the completeness and integrity of the delivery and notify your distribution partner immediately after purchase if the delivery is not complete or if it is damaged.

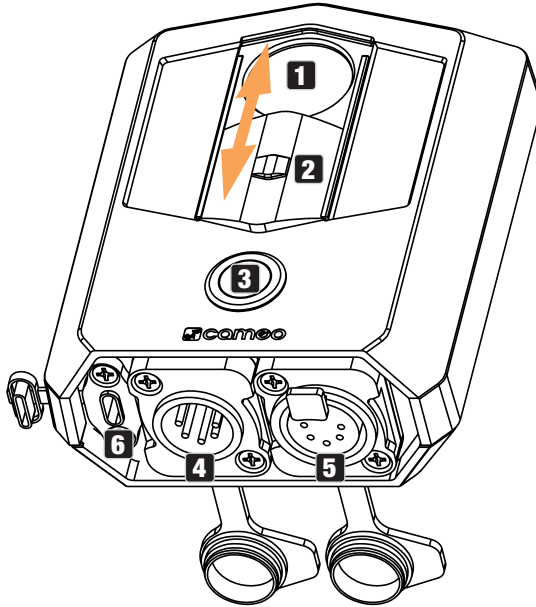
The packaging content for the product includes:

- ▶ 1 × UNISENS Ambient Light to DMX Interface
- ▶ 1 × USB-A to USB-C cable
- ▶ Safety and compliance information (user manual as a download via QR code)

## INTRODUCTION

The battery-operated Cameo UNISENS with IP65 protection is an ambient light sensor that records various lighting parameters and makes them available via DMX. The DMX merge function makes it possible to integrate the device into a system as required. It is operated using a button with a multi-coloured LED ring to identify the operating mode. Configuration is carried out via RDM; the in-house controller Cameo UNICON is recommended for this. Compatible fixtures have a special DMX mode for control via UNISENS.

## CONNECTIONS AND OPERATING/DISPLAY ELEMENTS



### 1 LIGHT SENSOR

Make sure that the sensor is free of dust and dirt and does not have any scratches. Dirt and damage hinder the accuracy of measurements. If necessary, clean the sensor with a damp, soft cloth or an optical brush.

### 2 PROTECTIVE COVER

Slide the protective cover over the sensor when the device is not in use.

### 3 ON/OFF SWITCH (BUTTON) WITH LED INDICATOR RING

Press and hold the button for approximately three seconds to turn the device on and off.

The LED ring shows the following operating statuses:

- Blue** = Continuous mode (permanent measurement)
- Green** = One-shot measurement (measurement at the touch of a button)
- Magenta** = Continuous mode (permanent measurement) and charging of battery
- Yellow** = One-shot measurement (measurement at the touch of a button) and charging of battery
- Red** = Device switched off, charging of battery (LED ring off = battery fully charged, please unplug charger)

Switch mode: double-click

#### **4 DMX IN**

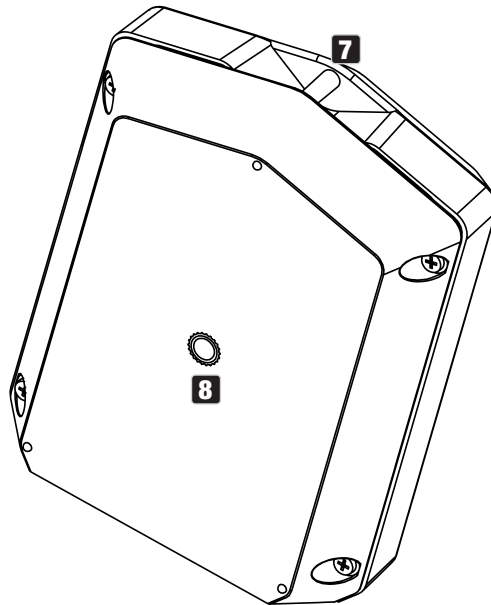
Male IP65 5-Pol XLR socket for connecting a RDM/DMX control device, for example, Cameo UNICON (when not in use, always close the rubber sealing cap).

#### **5 DMX OUT**

Female IP65 5-Pol XLR socket for outputting the DMX control signal (when not in use, always close the rubber sealing cap).

#### **6 USB-C CHARGING SOCKET**

Charging socket for charging the internal battery. For this purpose, commercially available 5 V chargers with a USB-C plug can be used (charging status visible in Cameo UNICON)



#### **7 MOUNTING EYELET**

Eyelet for attaching a carrying loop.

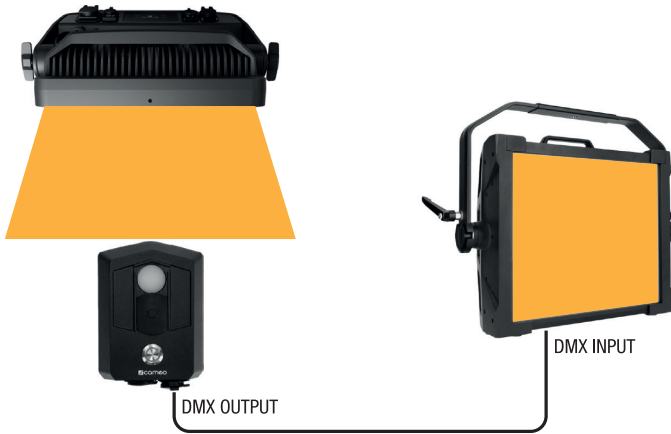
#### **8 TRIPOD THREADS**

Use the 1/4 inch thread to mount the device on a suitable tripod (for example, camera tripod).

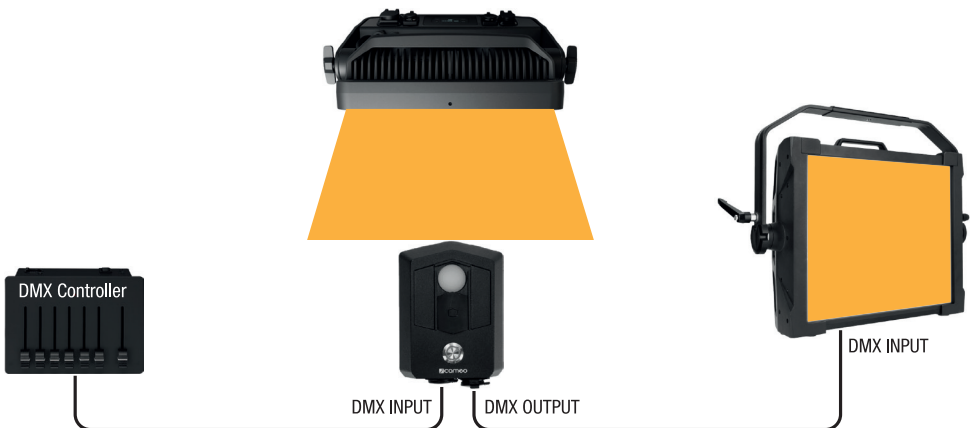
## APPLICATION EXAMPLES

Point the sensor of the UNISENS directly at the light source to be measured during the measurement process.

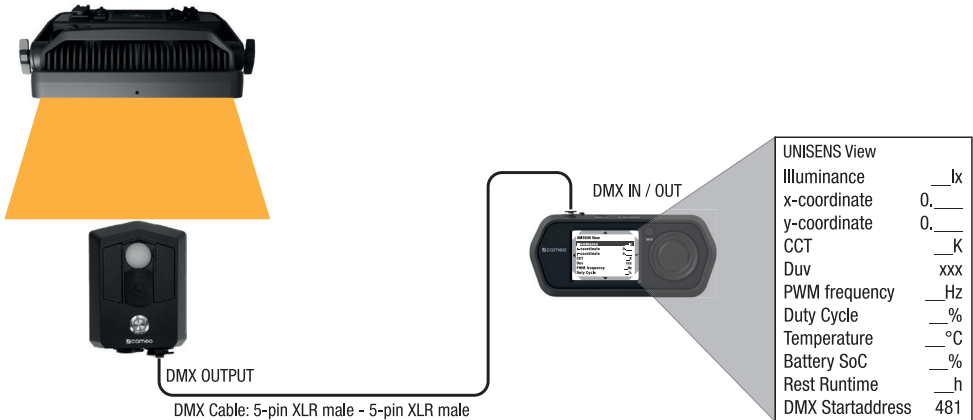
1. UNISENS measures the light colour; the fixture reproduces the measured light colour. The brightness is set manually on the fixture.



2. UNISENS measures the light colour; the fixture reproduces the measured light colour. The brightness is set via a DMX controller.



3. UNISENS measures the light source; UNICON displays the measured values (select and confirm UNISENS View in the UNICON main menu. Always keep the UNICON firmware up to date). The DMX start address of the UNISENS is set to 481 by default for the light source's measurement data to be displayed in the UNICON. The DMX start address, however, can be customised (see point 4).



4. Change the DMX start address and operating mode of the UNISENS via UNICON (MENU -> RDM/Fixture -> DMX Address or DMX Mode).



## CARE, MAINTENANCE, AND REPAIR

In order to ensure the long-term, proper functioning of the device, it must be regularly cleaned and, if necessary, serviced. The care and maintenance required depends on the intensity of use and the environment in which it is used.

We recommend a visual inspection before each operation. Furthermore, we recommend carrying out all the applicable service measures specified below once every 500 operating hours or, in the case of a lower intensity of use, at the latest after one year. Warranty claims may be limited should defects result from inadequate service and maintenance.

**CARE (carried out by user)**

**WARNING!** Before carrying out any care or maintenance, the power supply – and, if possible, all device connections – must be disconnected.



**PLEASE NOTE!** Improper care can lead to impairment of the device or even its destruction.

1. Housing surfaces must be cleaned with a clean, damp cloth. Make sure that no moisture can penetrate the device.
2. Air inlets and outlets must be regularly cleaned of dust and dirt. If compressed air is used, make sure that damage to the device is prevented (for example, fans must be blocked in this case, as they could otherwise over-rev).
3. Cables and connectors must be cleaned regularly, and dust and dirt must be removed.
4. In general, no cleaning agents or abrasive agents may be used; otherwise, the surface finish may be damaged.
5. Devices must be stored in a dry environment and protected from dust and dirt.

**MAINTENANCE AND REPAIR (by qualified personnel only)**

**DANGER!** There are live components in the device. Even after disconnecting from the mains, there may still be residual voltage in the device, for example, due to charged capacitors.



**PLEASE NOTE!** There are no user-serviceable assemblies in the device.



**PLEASE NOTE!** Maintenance and repair work may only be carried out by qualified specialist personnel authorised by the manufacturer. If in doubt, consult the manufacturer.



**PLEASE NOTE!** Improperly performed maintenance work may affect warranty claims.

**TECHNICAL DATA**

Item number	CLUNISENS
Product category	Spotlight accessory
Type	Ambient Light to DMX Interface
Control protocols	DMX512; RDM
Data connections	XLR 5 pin male and female
User interface	One haptic button with colored backlight
Battery type	Li-Ion battery
Battery capacity	3000 mAh
Battery charging time	8 h



Battery runtime	>20 h
Charging voltage	5 V
Recommended charging current	500 mA
Power connection	USB-C
Ambient temperature rating	-10° - 40° C
IP rating	IP65
Photometric accuracy	<5%
Colormetric accuracy	<2%
RDM UID	0x08A40600XXXX
Dimensions	126 x 92 x 43 mm
Weight	0.44 kg
Accessories included	USB-A to USB-C cable

## EXPLANATION OF IP PROTECTION CLASS

1. An IP rating only reflects protection from solid objects and water. It does not describe general weather resistance, such as protection from UV radiation and temperature, etc.
2. The first digit indicates protection from dust, solid objects and contact:

IP2X	Protected against solid foreign objects $\geq 12.5$ mm in diameter
IP3X	Protected against solid foreign objects $\geq 2.5$ mm in diameter
IP4X	Protected against solid foreign objects $\geq 1.0$ mm in diameter
IP5X	Protected against dust in harmful quantities and completely protected against contact
IP6X	Dust-tight and completely protected against contact

3. The second digit indicates protection against water:

IPX0	No protection
IPX1	Protection against dripping water
IPX2	Protection against dripping water when the device is tilted by up to 15°
IPX3	Protection against falling spray water up to 60° from the vertical
IPX4	Protection against splashing water on all sides
IPX5	Protection against water jets (nozzle) from any angle
IPX6	Protection against strong water jets
IPX7	Protection against temporary immersion

4. In addition, some device-specific measures such as covers and sealing caps are necessary in order to achieve the specified protection class (for example, protective caps on unused connectors).



The product's IP protection class can be found in the technical data and is printed on the device.

## DISPOSAL



### PACKAGING:

1. Packaging can be recycled using the usual disposal methods.
2. Please separate the packaging in accordance with the disposal laws and recycling regulations in your country.



### DEVICE:

1. This device is subject to the European Directive on Waste Electrical and Electronic Equipment, as amended. WEEE Directive Waste Electrical and Electronic Equipment. Waste equipment does not belong in household waste. Waste equipment must be disposed of via an authorised waste disposal company or a municipal waste disposal facility. Please observe the applicable regulations in your country!
2. Observe all disposal laws applicable in your country.
3. As a private customer, you can obtain information on environmentally friendly disposal options from the seller of the product or the appropriate regional authorities.

## MANUFACTURER'S DECLARATIONS

### Manufacturer's warranty and limitation of liability

Adam Hall GmbH | Adam-Hall-Str.1 | 61267 Neu-Anspach | Germany

Email: [Info@adamhall.com](mailto:Info@adamhall.com) / +49 (0)6081 / 9419-0

Our current warranty conditions and limitation of liability can be found at:

[https://cdn-shop.adamhall.com/media/pdf/Manufacturers-Declarations-CAMEO\\_DE\\_EN\\_ES\\_FR.pdf](https://cdn-shop.adamhall.com/media/pdf/Manufacturers-Declarations-CAMEO_DE_EN_ES_FR.pdf)

For service requests, please contact your distribution partner.

### CE conformity

Adam Hall GmbH hereby confirms that this product meets the following guidelines (where applicable):

Low-Voltage Directive (2014/35/EU)

EMC Directive (2014/30/EU)

RoHS (2011/65/EU)

RED (2014/53/EU)

### EC Declaration of Conformity

Declarations of conformity for products subject to the LVD, EMC, and RoHS Directives can be requested from [info@adamhall.com](mailto:info@adamhall.com)

Declarations of conformity for products subject to RED can be downloaded from [www.adamhall.com/compliance/](http://www.adamhall.com/compliance/)

**Subject to misprints and errors, as well as technical or other modifications!**

Sie haben die richtige Wahl getroffen!

Dieses Gerät wurde unter hohen Qualitätsanforderungen entwickelt und gefertigt, um viele Jahre einen reibungslosen Betrieb zu gewährleisten. Bitte lesen Sie diese Bedienungsanleitung sorgfältig, damit Sie Ihr neues Produkt von Cameo Light schnell und optimal einsetzen können. Weitere Informationen über Cameo Light erhalten Sie auf unserer Website **CAMEOLIGHT.COM**

## **INFORMATIONEN ZU DIESER BEDIENUNGSANLEITUNG**

- Lesen Sie vor Inbetriebnahme die Sicherheitshinweise und die gesamte Anleitung aufmerksam durch.
- Beachten Sie die Warnungen auf dem Gerät und in der Bedienungsanleitung.
- Bewahren Sie die Bedienungsanleitung immer in Reichweite auf.
- Wenn Sie das Gerät verkaufen oder weitergeben, händigen Sie unbedingt auch diese Bedienungsanleitung aus, da sie ein wesentlicher Bestandteil des Produkts ist.

## **BESTIMMUNGSGEMÄSSER GEBRAUCH**

Bei dem Produkt handelt es sich um ein Gerät für die Veranstaltungstechnik!

Das Produkt ist für den professionellen Einsatz im Bereich der Veranstaltungstechnik entwickelt worden und ist nicht für die Verwendung in Haushalten geeignet!

Weiterhin ist dieses Produkt nur für qualifizierte Benutzer mit Fachkenntnissen im Umgang mit Temporärer Betrieb! Veranstaltungsequipment ist grundsätzlich nur für den vorübergehenden Betrieb konzipiert und nicht für den Dauerbetrieb und Festinstallation vorgesehen! Veranstaltungstechnik vorgesehen!

Die Benutzung des Produkts außerhalb der spezifizierten technischen Daten und Betriebsbedingungen gilt als nicht bestimmungsgemäß!

Haftung für Schäden und Drittschäden an Personen und Sachen durch nicht bestimmungsgemäßen Gebrauch ist ausgeschlossen!

Das Produkt ist nicht geeignet für:

- Personen (einschließlich Kinder) mit eingeschränkten körperlichen, sensorischen oder geistigen Fähigkeiten oder mangelnder Erfahrung und Kenntnis.
- Kinder (Kinder müssen angewiesen werden, nicht mit dem Gerät zu spielen).

## **BEGRIFFS- UND SYMBOLERKLÄRUNGEN**

1. **GEFAHR:** Mit dem Wort GEFAHR, evtl. in Kombination mit einem Symbol, wird auf unmittelbar gefährliche Situationen oder Zustände für Leib und Leben hingewiesen.
2. **WARNUNG:** Mit dem Wort WARNUNG, evtl. in Kombination mit einem Symbol, wird auf potentiell gefährliche Situationen oder Zustände für Leib und Leben hingewiesen.
3. **VORSICHT:** Mit dem Wort VORSICHT, evtl. in Kombination mit einem Symbol, wird auf Situationen oder Zustände hingewiesen, die zu Verletzungen führen können.
4. **ACHTUNG:** Mit dem Wort ACHTUNG, evtl. in Kombination mit einem Symbol, wird auf Situationen oder Zustände hingewiesen, die zu Sach- und/oder Umweltschäden führen können.



Dieses Symbol kennzeichnet Gefahren, die einen elektrischen Schlag verursachen können.



Dieses Symbol kennzeichnet Gefahrenstellen oder gefährliche Situationen.



Dieses Symbol kennzeichnet Gefahren durch heiße Oberflächen.



Dieses Symbol kennzeichnet Gefahren durch intensive Lichtquellen.



Dieses Symbol kennzeichnet ein Gerät, in dem sich keine vom Benutzer austauschbaren Teile befinden.



Dieses Symbol kennzeichnet ergänzende Informationen zur Bedienung des Produkts.

## SICHERHEITSHINWEISE



### GEFAHR:

1. Öffnen Sie das Gerät nicht und verändern Sie es nicht.
2. Wenn Ihr Gerät nicht mehr ordnungsgemäß funktioniert, Flüssigkeiten oder Gegenstände in das Geräteinnere gelangt sind, oder das Gerät anderweitig beschädigt wurde, schalten Sie es sofort aus und trennen es von der Spannungsversorgung. Dieses Gerät darf nur von autorisiertem Fachpersonal repariert werden.
3. Bei Geräten der Schutzklasse 1 muss der Schutzleiter korrekt angeschlossen werden. Unterbrechen Sie niemals den Schutzleiter. Geräte der Schutzklasse 2 haben keinen Schutzleiter.
4. Sorgen Sie dafür, dass spannungsführende Kabel nicht geknickt oder anderweitig mechanisch beschädigt werden.
5. Überbrücken Sie niemals die Gerätesicherung.



### AVVERTENZA:

1. Das Gerät darf nicht in Betrieb genommen werden, wenn es offensichtliche Beschädigungen aufweist.
2. Das Gerät darf nur im spannungsfreien Zustand installiert werden.
3. Wenn das Netzkabel des Geräts beschädigt ist, darf das Gerät nicht in Betrieb genommen werden.
4. Fest angeschlossene Netzleitungen dürfen nur von einer qualifizierten Person ersetzt werden.

**ACHTUNG:**

1. Nehmen Sie das Gerät nicht in Betrieb, wenn es starken Temperaturschwankungen ausgesetzt war (beispielsweise nach dem Transport). Feuchtigkeit und Kondensat könnten das Gerät beschädigen. Schalten Sie das Gerät erst ein, wenn es Umgebungstemperatur erreicht hat.
2. Stellen Sie sicher, dass die Spannung und die Frequenz des Stromnetzes mit den auf dem Gerät angegebenen Werten übereinstimmen. Verfügt das Gerät über einen Spannungswahlschalter, schließen Sie das Gerät erst an, wenn dieser korrekt eingestellt ist. Nutzen sie nur geeignete Netzkabel.
3. Um das Gerät allpolig vom Netz zu trennen genügt es nicht, den Ein-/Aus-Schalter am Gerät zu betätigen.
4. Stellen Sie sicher, dass die eingesetzte Sicherung dem auf dem Gerät abgedruckten Typ entspricht.
5. Stellen Sie sicher, dass geeignete Maßnahmen gegen Überspannung (z.B. Blitzschlag) ergriffen wurden.
6. Beachten Sie den angegebenen maximalen Ausgangsstrom an Geräten mit Power Out Anschluss. Beachten Sie, dass die gesamte Stromaufnahme aller angeschlossenen Geräte den vorgegebenen Wert nicht überschreitet.
7. Ersetzen Sie steckbare Netzleitungen nur durch Originalleitungen.

**GEFAHR:**

1. Erstickungsgefahr! Kunststoffbeutel und Kleinteile müssen außer Reichweite von Personen (einschließlich Kindern) mit eingeschränkten körperlichen, sensorischen oder geistigen Fähigkeiten aufbewahrt werden.
2. Gefahr durch Herabfallen! Stellen Sie sicher, dass das Gerät sicher installiert ist und nicht herunterfallen kann. Verwenden Sie ausschließlich geeignete Stative bzw. Befestigungen (im Besonderen bei Festinstallationen). Stellen Sie sicher, dass Zubehör ordnungsgemäß installiert und gesichert ist. Achten sie dabei darauf, dass geltende Sicherheitsbestimmungen eingehalten werden.

**WARNUNG:**

1. Verwenden Sie das Gerät nur in der vorgesehenen Art und Weise.
2. Betreiben Sie das Gerät nur mit dem vom Hersteller empfohlenen und vorgesehenen Zubehör.
3. Beachten Sie bei der Installation die für Ihr Land geltenden Sicherheitsvorschriften.
4. Überprüfen Sie nach dem Anschluss des Geräts alle Kabelwege, um Schäden oder Unfälle, z. B. durch Stolperfallen zu vermeiden.
5. Beachten Sie unbedingt den angegebenen Mindestabstand zu normal entflammbar Materialen! Sofern dieser nicht explizit ausgewiesen ist, beträgt der Mindestabstand 0,3 m.
6. Beachten Sie unbedingt den auf dem Gerät abzulesenden Mindestabstand zur beleuchteten Fläche!

**VORSICHT:**

1. Bei beweglichen Bauteilen wie Montagebügeln, oder sonstigen beweglichen Bauteilen besteht die Möglichkeit sich zu klemmen.
2. Bei Geräten mit motorisch angetriebenen Bauteilen besteht Verletzungsgefahr durch die Bewegung des Gerätes. Plötzliche Gerätebewegungen können zu Schreckreaktionen führen.

**ACHTUNG:**

1. Installieren und betreiben Sie das Gerät nicht in der Nähe von Heizkörpern, Wärmespeichern, Öfen oder sonstigen Wärmequellen. Sorgen Sie dafür, dass das Gerät immer so installiert ist, dass es ausreichend gekühlt wird und nicht überhitzen kann.
2. Platzieren Sie keine Zündquellen wie z.B. brennende Kerzen in der Nähe des Geräts.
3. Lüftungsöffnungen dürfen nicht abgedeckt und Lüfter nicht blockiert werden.
4. Nutzen Sie zum Transport die Originalverpackung oder vom Hersteller dafür vorgesehene Verpackungen.
5. Vermeiden Sie, dass Erschütterung oder Schläge auf das Gerät einwirken.
6. Beachten Sie die IP-Schutzart, sowie die Umgebungsbedingungen wie Temperatur und Luftfeuchtigkeit entsprechend der Spezifizierung.
7. Geräte können stetig weiterentwickelt werden. Bei abweichenden Angaben zu Betriebsbedingungen, Leistung oder sonstigen Geräteeigenschaften zwischen Bedienungsanleitung und Gerätebeschriftung, hat immer die Angabe auf dem Gerät Priorität.
8. Das Gerät ist nicht für tropische Klimazonen und für den Betrieb oberhalb 2000 m über NN geeignet.
9. Sofern nicht explizit ausgewiesen, ist das Gerät nicht für den Betrieb unter Marinebedingungen geeignet.

**HINWEIS:**

Bei vom Hersteller vorgesehenen Um- oder Nachrüstsets bzw. Zubehör beachten Sie unbedingt die beiliegende Anleitung.

**GERÄTE MIT AKKU, AKKUS UND LADEGERÄTE GEFAHR:**

1. Halten Sie das Gerät mit Akku fern von Wärmequellen und setzen Sie es nicht direkter Sonneneinstrahlung aus. Legen Sie es nicht auf oder in Heizgeräte, wie Mikrowellen, Öfen oder Heizkörper. Akkus können bei Überhitzung explodieren. Beachten Sie unbedingt die zulässigen Umgebungs- und Betriebsbedingungen! Diese finden Sie in den technischen Spezifikationen.
2. Öffnen Sie das Gerät nicht! Nehmen Sie keine Veränderungen an dem Akku vor und versuchen Sie nicht, Akkuzellen auszutauschen!
3. Akkuzellen bzw. Akkupacks dürfen nicht beschädigt werden. Schutzfolien und Aufkleber dürfen nicht entfernt werden. Es dürfen keine Fremdkörper in den Akku eingeführt werden. Es dürfen keine Flüssigkeiten in den Akku gelangen. Es besteht Brand- und Explosionsgefahr sowie die Gefahr weiterer gefährlicher Situationen (z.B. Ausgasungen).



4. Bei Verformung des Geräts oder Überhitzung setzen Sie das Gerät unmittelbar außer Betrieb! Wenn Sie das Gerät weiterhin betreiben, besteht Brand- und Explosionsgefahr, sowie die Gefahr weiterer gefährlicher Situationen (z.B. Ausgasungen).
5. Werfen Sie das Gerät nicht ins Feuer! Explosionsgefahr!
6. Vermeiden Sie starke mechanische Einwirkungen auf das Gerät! Beschädigungen durch Herabfallen, Zerschlagen oder Durchstechen sowie hohem Druck führen zu Brand- und Explosionsgefahr, sowie der Gefahr weiterer gefährlicher Situationen (z.B. Ausgasungen).
7. Laden Sie das Gerät bzw. den Akku ausschließlich auf die vorgesehene Art und Weise.
8. Bitte beachten Sie, dass die Ladefunktion nicht bei allen Geräten durch den Gerätehauptschalter deaktiviert wird.
9. Bei in Transport-Cases integrierten Ladeeinrichtungen darf der Ladevorgang nur bei geöffnetem Deckel durchgeführt werden.
10. Ausgelaufene Flüssigkeit ist ätzend und kann giftig sein. Sie kann zu Haut- und Augenreizungen führen und ist bei Verschlucken gefährlich. Vermeiden Sie jeglichen Kontakt mit ausgelaufener Flüssigkeit. Bei Kontakt mit ausgelaufener Flüssigkeit waschen Sie die betroffene Stelle umgehend mit viel Wasser und kontaktieren einen Arzt.



#### **AKKUS LADEN, BETREIBEN UND LAGERN**

1. Zum Laden fest verbauter Akkus schließen Sie das Gerät an die vorgesehene Spannungsversorgung an. Bitte beachten Sie, dass die Ladefunktion nicht bei allen Geräten durch den Gerätehauptschalter deaktiviert wird.
2. Die Ladezeit für eine vollständige Aufladung des Akkus entnehmen Sie bitte den Technischen Daten. Die Information über das Anzeigen des Akkuladestatus finden Sie im Kapitel BEDIENUNG.
3. Geräte mit Lithium-Akkus sind mit den üblichen Schutzeinrichtungen ausgestattet.
4. Laden Sie den Akku nicht außerhalb der in den Technischen Daten angegebenen Umgebungsbedingungen. Sofern nicht anders angegeben, liegen diese zwischen +5° und +35° Celsius bei trockener Umgebung.
5. Die zulässigen Umgebungsbedingungen für den Betrieb entnehmen Sie den Technischen Daten. Sofern nicht anders angegeben, dürfen +5°C nicht unter- und +35°C in trockener Umgebung nicht überschritten werden.
6. Die zulässige Umgebungstemperatur für die Lagerung entnehmen Sie den Technischen Daten. Sofern nicht anders angegeben, dürfen +5°C nicht unter- und +35°C in trockener Umgebung nicht überschritten werden.
7. Laden Sie den Akku nach Entladung zeitnah wieder vollständig auf.
8. Lagern Sie das Gerät nur mit vollständig geladenem Akku. Nicht vollständig geladene gelagerte Akkus können vorzeitig Kapazität und Lebensdauer verlieren.
9. Wenn das Gerät über einen längeren Zeitraum nicht verwendet wird, führen Sie spätestens alle 3 Monate einen vollständigen Entlade- und Aufladezyklus durch.
10. Der Gerätehauptschalter muss beim Lagern ausgeschaltet sein.
11. Angegebene Akkulaufzeiten beziehen sich immer auf einen neuwertigen Akku und übliche Einsatzbedingungen.



12. Bei Betrieb in kalter Umgebung kann die Akkulaufzeit kürzer sein, als angegeben.
13. Wenn die Gerätelaufzeit im Akkubetrieb deutlich von den Angaben abweicht, wenden Sie sich an Ihren Vertriebspartner.



### **HINWEISE FÜR ORTSVERÄNDERLICHE OUTDOOR-GERÄTE**

1. Temporärer Betrieb! Veranstaltungsequipment ist grundsätzlich nur für den vorübergehenden Betrieb konzipiert.
2. Dauerbetrieb oder dauerhafte bauliche Anbringung, besonders im Außenbereich, kann zur Beeinträchtigung der Funktion, sowie der Oberflächen und Dichtungen und zu beschleunigter Materialermüdung führen.
3. Durch Beschädigungen der Oberflächenbeschichtung kann der Korrosionsschutz des Geräts beeinträchtigt werden. Eine beschädigte Oberflächenbeschichtung (z.B. Kratzer) muss zeitnah durch geeignete Maßnahmen wiederhergestellt werden.

### **LIEFERUMFANG**

Entnehmen Sie das Produkt aus der Verpackung und entfernen Sie sämtliches Verpackungsmaterial. Bitte überprüfen Sie die Vollständigkeit und Unversehrtheit der Lieferung und benachrichtigen Sie Ihren Vertriebspartner bitte unverzüglich nach dem Kauf, falls die Lieferung nicht komplett oder beschädigt ist.

Im Lieferumfang des Produkts sind enthalten:

- ▶ 1 × UNISENS Ambient Light to DMX Interface
- ▶ 1 × Kabel USB-A auf USB-C
- ▶ Safety- und Complianceinformationen (Bedienungsanleitung als Download per QR-Code)

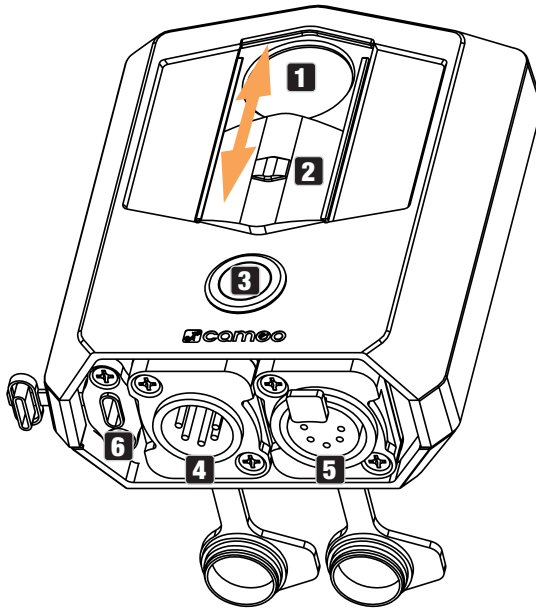
### **EINFÜHRUNG**

Der batteriebetriebene Cameo UNISENS mit Schutzart IP65 ist ein Umgebungslichtsensor, der verschiedene Lichtparameter erfasst und per DMX zur Verfügung stellt. Durch die DMX Merge-Funktion ist es möglich, das Gerät beliebig in ein System zu integrieren. Die Bedienung erfolgt über einen Taster mit mehrfarbigem LED-Ring zur Erkennung des Betriebsmodus. Die Konfiguration erfolgt per RDM, empfohlen wird dabei der hauseigene Controller Cameo UNICON.

Kompatible Scheinwerfer verfügen über einen speziellen DMX-Modus für die Steuerung per UNISENS.



## ANSCHLÜSSE, BEDIEN- UND ANZEIGEELEMENTE



### 1 LICHTSENSOR

Achten Sie darauf, dass der Sensor frei von Staub und Schmutz ist und keine Kratzer aufweist. Verschmutzungen und Beschädigungen beeinträchtigen die Messgenauigkeit. Falls notwendig, reinigen Sie den Sensor mit einem angefeuchteten, weichen Tuch oder mit einem Optikpinsel.

### 2 SCHUTZDECKEL

Schieben Sie den Schutzdeckel über den Sensor, wenn Sie das Gerät nicht benutzen.

### 3 EIN- UND AUSSCHALTER (TASTER) MIT LED-ANZEIGERING

Drücken Sie für circa drei Sekunden auf den Taster, um das Gerät ein- bzw. auszuschalten.

Der LED-Ring zeigt folgende Betriebszustände an:

- Blau** = Continuous Mode (permanente Messung)
- Grün** = One Shot Messung (Messung auf Tastendruck)
- Magenta** = Continuous Mode (permanente Messung) und Akku wird geladen
- Gelb** = One Shot Messung (Messung auf Tastendruck) und Akku wird geladen
- Rot** = Gerät ausgeschaltet, Akku wird geladen (LED-Ring aus = Akku vollständig geladen, Ladegerät bitte ausstecken)

Modus umschalten: Doppelklick

**4 DMX IN**

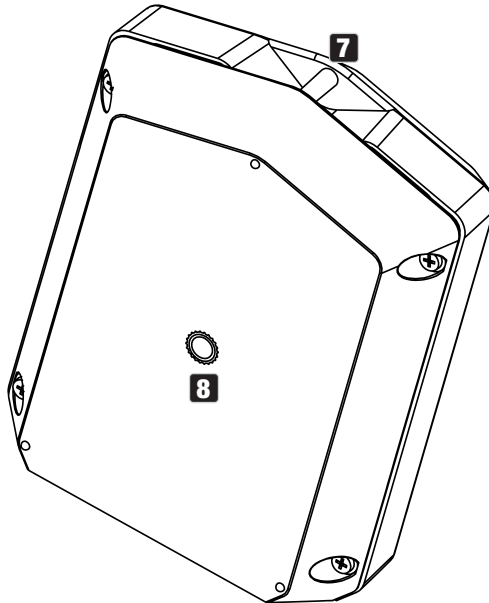
Männliche IP65 5-Pol XLR-Buchse zum Anschließen eines RDM/DMX-Kontrollgeräts, wie z. B. der Cameo UNICON (bei Nichtgebrauch stets mit der Gummidichtkappe verschließen).

**5 DMX OUT**

Weibliche IP65 5-Pol XLR-Buchse zur Ausgabe des DMX-Steuersignals (bei Nichtgebrauch stets mit der Gummidichtkappe verschließen).

**6 USB-C LADEBUCHSE**

Ladebuchse zum Laden des internen Akkus. Hierfür können handelsübliche 5 V Ladegeräte mit USB-C-Stecker verwendet werden (Ladestatus im Cameo UNICON ablesbar).

**7 EINHÄNGESE**

Öse zum Einhängen einer Trageschleufe.

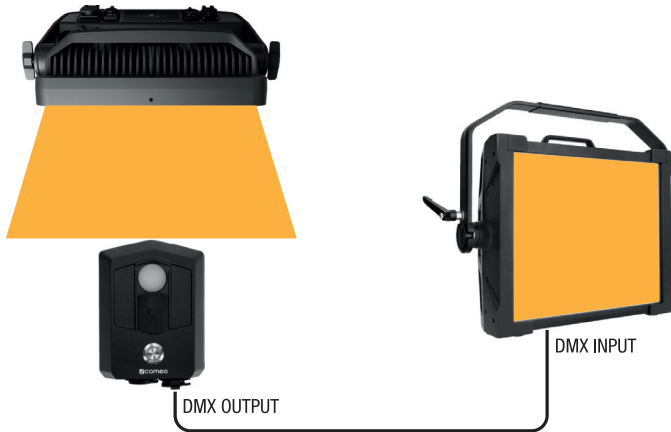
**8 STATIVGEWINDE**

Verwenden Sie das 1/4 Zoll Gewinde, um das Gerät auf ein geeignetes Stativ zu montieren (z. B. Kamerastativ).

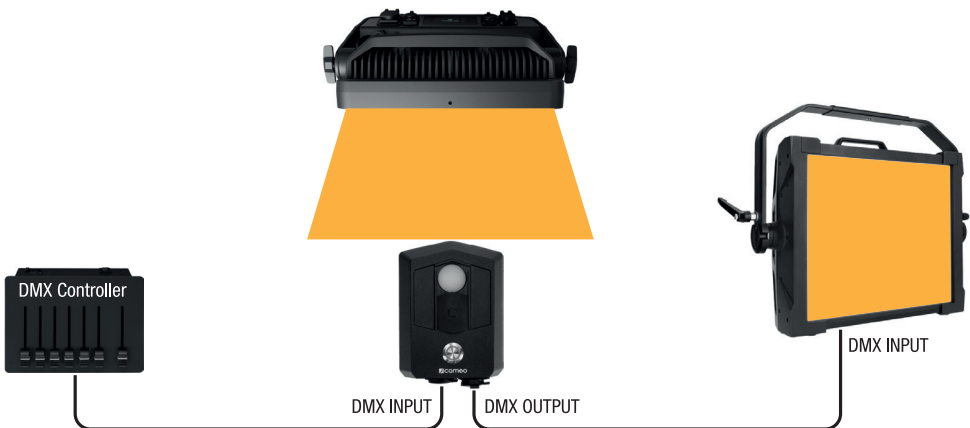
## ANWENDUNGSBEISPIELE

Richten Sie den Sensor des UNISENS während des Messvorgangs direkt auf die zu messende Lichtquelle.

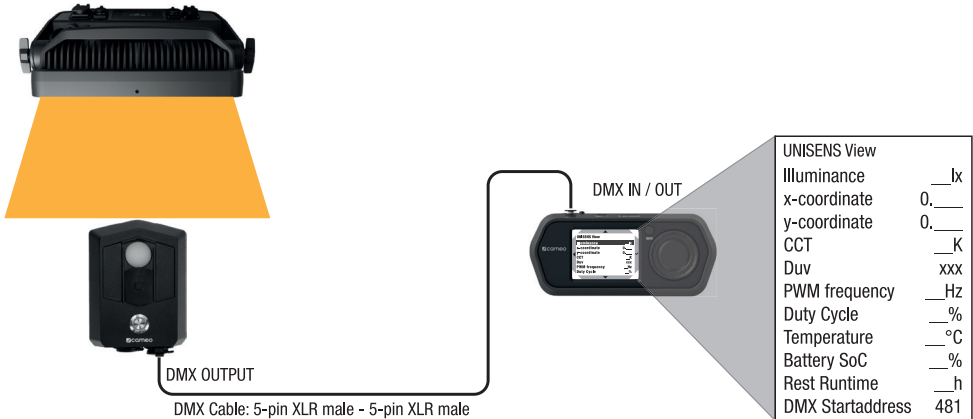
1. UNISENS misst die Lichtfarbe, der Scheinwerfer gibt die gemessene Lichtfarbe wieder. Das Einstellen der Helligkeit erfolgt manuell am Scheinwerfer.



2. UNISENS misst die Lichtfarbe, der Scheinwerfer gibt die gemessene Lichtfarbe wieder. Das Einstellen der Helligkeit erfolgt via DMX-Controller.



3. UNISENS misst die Lichtquelle, UNICON zeigt die Messwerte an (im Hauptmenü des UNICON UNISENS View auswählen und bestätigen. Halten Sie die Firmware des UNICON stets auf den neuesten Stand). Die DMX-Startadresse des UNISENS ist standardmäßig auf 481 eingestellt, damit die Messdaten der Lichtquelle im UNICON angezeigt werden. Die DMX-Startadresse lässt sich aber individuell anpassen (siehe Punkt 4).



4. DMX-Startadresse und Betriebsmodus des UNISENS per UNICON ändern (MENU -> RDM/Fixture -> DMX Address bzw. DMX Mode).



## PFLEGE, WARTUNG UND REPARATUR

Um die einwandfreie Funktion des Geräts auf Dauer zu gewährleisten, muss es regelmäßig gepflegt und bei Bedarf gewartet werden. Der Pflege- bzw. Wartungsbedarf steht in Abhängigkeit der Nutzungsintensität und -umgebung.

Wir empfehlen generell eine Sichtprüfung vor jeder Inbetriebnahme. Weiterhin empfehlen wir alle 500 Betriebsstunden, oder bei geringerer Nutzungsintensität spätestens nach Ablauf eines Jahres alle unten genannten und zutreffenden Pflegemaßnahmen durchzuführen. Bei Mängeln, die auf eine unzureichende Pflege zurückzuführen sind, kann es zu Einschränkungen der Garantieansprüche kommen.

## PFLEGE (vom Anwender durchführbar)



**WARNUNG!** Vor jeglichen Pflegemaßnahmen müssen die Spannungsversorgung und sofern möglich sämtliche Geräteverbindungen getrennt werden.



**HINWEIS!** Unsachgemäße Pflege kann zu Beeinträchtigung des Gerätes führen bis hin zur Zerstörung.

1. Gehäuseoberflächen müssen mit einem sauberen, feuchten Tuch gereinigt werden. Dabei ist darauf zu achten, dass keine Feuchtigkeit in das Gerät eindringen kann.
2. Luft Ein- und Austrittsöffnungen müssen regelmäßig von Staub und Schmutz befreit werden. Im Fall des Einsatzes von Druckluft ist darauf zu achten, dass Beschädigungen am Gerät verhindert werden (z.B. müssen Lüfter für diesen Fall blockiert werden, da sie sonst überdrehen könnten).
3. Leitungen und Steckkontakte sind regelmäßig zu reinigen und von Staub und Schmutz zu befreien.
4. Es dürfen generell keine Reinigungsmittel oder Mittel mit schleifender Wirkung zur Pflege verwendet werden, andernfalls ist mit Beeinträchtigung der Oberflächenbeschaffenheit zu rechnen.
5. Geräte sind generell trocken zu lagern und vor Staub und Verschmutzung zu schützen.

## WARTUNG UND REPARATUR (nur durch Fachpersonal)



**GEFAHR!** Im Gerät befinden sich Spannungsführende Bauteile. Auch nach Trennung der Netzverbindung kann noch Restspannung im Gerät vorhanden sein, z.B. durch geladene Kondensatoren.



**HINWEIS!** Im Gerät befinden sich keine für den Anwender zu wartenden Baugruppen.



**HINWEIS!** Wartungs- und Reparaturmaßnahmen dürfen nur vom Hersteller autorisiertem Fachpersonal durchgeführt werden. Im Zweifel wenden Sie sich an den Hersteller.



**HINWEIS!** Unsachgemäß ausgeführte Wartungsarbeiten können den Gewährleistungsanspruch beeinträchtigen.

## TECHNISCHE DATEN

Artikelnummer	CLUNISENS
Produktkategorie	Scheinwerfer-Zubehör
Typ	Umgebungslicht-zu-DMX-Interface
Steuerungsprotokolle	DMX512; RDM
Datenverbindungen	5-poliger XLR-Stecker / -Buchse
Benutzeroberfläche	Eine haptische Taste mit farbiger Hintergrundbeleuchtung
Akku-Typ	Lithium-Ionen-Akku
Akku-Kapazität	3000 mAh
Akku-Ladezeit	8 Std.
Akku-Laufzeit	>20 h
Ladespannung	5 V
Empfohlener Ladestrom	500 mA
Stromversorgung	USB-C
Zulässige Umgebungstemperatur	-10° - 40° C
IP-Schutzart	IP65
Photometrische Genauigkeit	<5 %
Kolorimetrische Genauigkeit	<2 %
RDM UID	0x08A40600XXXX
Abmessungen	126 x 92 x 43 mm
Gewicht	0,44 kg
Zubehör (im Lieferumfang)	Kabel USB-A zu USB-C

## ERLÄUTERUNGEN ZUR IP-SCHUTZART

1. Eine IP-Schutzart gibt ausschließlich den Schutz gegen feste Gegenstände, sowie Wasser wieder. Sie beschreibt keine allgemeine Witterungsbeständigkeit, wie beispielsweise Schutz gegen UV-Strahlung und Temperatureinflüsse etc..
2. Die erste Kennziffer bezeichnet den Schutz gegen Staub, feste Gegenstände und Berührung:

IP2X	Geschützt gegen feste Fremdkörper mit Durchmesser $\geq$ 12,5 mm
IP3X	Geschützt gegen feste Fremdkörper mit Durchmesser $\geq$ 2,5 mm
IP4X	Geschützt gegen feste Fremdkörper mit Durchmesser $\geq$ 1,0 mm
IP5X	Geschützt gegen Staub in schädigender Menge und vollständig gegen Berührung geschützt
IP6X	Sind Staubdicht und vollständig gegen Berührung geschützt

3. Die zweite Kennziffer bezeichnet den Schutz gegen Wasser:

IPX0	kein Schutz
IPX1	Schutz gegen Tropfwasser
IPX2	Schutz gegen fallendes Tropfwasser, wenn das Gerät bis zu 15° geneigt ist

IPX3	Schutz gegen fallendes Sprühwasser bis 60° gegen die Senkrechte
IPX4	Schutz gegen allseitiges Spritzwasser
IPX5	Schutz gegen Strahlwasser (Düse) aus beliebigem Winkel
IPX6	Schutz gegen starkes Strahlwasser
IPX7	Schutz gegen zeitweiliges Untertauchen

4. Weiterhin sind teilweise gerätespezifische Maßnahmen wie Abdeckungen und Verschlusskappen notwendig um die angegebene Schutzart zu erreichen (z.B. Schutzkappen an nicht verwendeten Anschlüssen).



Die IP-Schutzart des Produkts finden Sie in den technischen Daten und als Aufdruck auf dem Gerät.

## ENTSORGUNG



### VERPACKUNG:

1. Verpackungen können über die üblichen Entsorgungswege dem Wertstoffkreislauf zugeführt werden.
2. Bitte trennen Sie die Verpackung entsprechend der Entsorgungsgesetze und Wertstoffverordnungen in Ihrem Land.



### GERÄT:

1. Dieses Gerät unterliegt der europäischen Richtlinie für Elektro- und Elektronik-Altgeräte in der jeweils geltenden aktuellen Fassung. WEEE-Richtlinie Waste Electrical and Electronical Equipment. Altgeräte gehören nicht in den Hausmüll. Das Altgerät muss über einen zugelassenen Entsorgungsbetrieb oder eine kommunale Entsorgungseinrichtung entsorgt werden. Bitte beachten Sie geltende Vorschriften in Ihrem Land!
2. Beachten Sie alle in Ihrem Land geltenden Entsorgungsgesetze.
3. Als Privatkunde erhalten Sie Informationen zu umweltfreundlichen Entsorgungsmöglichkeiten über den Händler, bei dem das Produkt erworben wurde, oder über die entsprechenden regionalen Behörden.

## HERSTELLERERKLÄRUNGEN

### Herstellergarantie & Haftungsbeschränkung

Adam Hall GmbH, Adam-Hall-Str. 1, D-61267 Neu Anspach /

E-Mail [Info@adamhall.com](mailto:Info@adamhall.com) / +49 (0)6081 / 9419-0

Unsere aktuellen Garantiebedingungen und Haftungsbeschränkung finden Sie unter:

[https://cdn-shop.adamhall.com/media/pdf/Manufacturers-Declarations-CAMEO\\_DE\\_EN\\_ES\\_FR.pdf](https://cdn-shop.adamhall.com/media/pdf/Manufacturers-Declarations-CAMEO_DE_EN_ES_FR.pdf)

Im Servicefall wenden Sie sich an Ihren Vertriebspartner.

**CE-Konformität**

Hiermit erklärt die Adam Hall GmbH, dass dieses Produkt folgender Richtlinie entspricht (soweit zutreffend):

Niederspannungsrichtlinie (2014/35/EU)

EMV-Richtlinie (2014/30/EU)

RoHS (2011/65/EU)

RED (2014/53/EU)

**CE-Konformitätserklärung**

Konformitätserklärungen für Produkte, die der LVD, EMC, RoHS-Richtlinie unterliegen, können unter [info@adamhall.com](mailto:info@adamhall.com) angefragt werden.

Konformitätserklärungen für Produkte, die der RED-Richtlinie unterliegen, können unter [www.adamhall.com/compliance/](http://www.adamhall.com/compliance/) heruntergeladen werden.

**Druckfehler und Irrtümer, sowie technische oder sonstige Änderungen sind vorbehalten!**



Vous avez fait le bon choix !

Cet appareil a été conçu et produit suivant des exigences de qualité très strictes pour fonctionner pendant de nombreuses années. Veuillez lire attentivement ce manuel d'utilisation pour pouvoir utiliser rapidement et de manière optimale votre nouveau produit Cameo Light. Vous trouverez de plus amples informations sur Cameo Light sur notre site Web **CAMEOLIGHT.COM**

## INFORMATIONS SUR CE MANUEL D'UTILISATION

- Lisez attentivement les consignes de sécurité et l'ensemble du manuel avant d'utiliser l'appareil.
- Respectez les avertissements figurant sur l'appareil et dans le manuel d'utilisation.
- Conservez toujours le manuel d'utilisation à portée de main.
- Si vous vendez ou transmettez l'appareil, remettez également impérativement ce manuel d'utilisation, celui-ci constituant un élément essentiel du produit.

## UTILISATION CONFORME

Ce produit est un appareil dédié à la technique événementielle.

Il a été conçu pour un usage professionnel dans le domaine de la technique événementielle et ne convient pas à une utilisation domestique.

De plus, ce produit est destiné uniquement aux utilisateurs qualifiés possédant des connaissances spécialisées en matière de technique événementielle. Les appareils pour l'événementiel ne sont en principe conçus que pour une utilisation temporaire ; ils ne sont pas prévus pour une exploitation permanente et une installation fixe. Prévu pour la technique événementielle

L'utilisation du produit en dehors des caractéristiques techniques et des conditions de fonctionnement spécifiées est considérée comme non conforme.

Toute responsabilité relative à des dommages corporels et matériels dus à une utilisation non conforme est exclue.

Le produit n'est pas adapté :

- à une utilisation par des personnes (notamment les enfants) possédant des capacités physiques, sensorielles ou mentales limitées ou manquant d'expérience et de connaissances ;
- aux enfants (il doit être interdit aux enfants de jouer avec l'appareil).

## EXPLICATIONS DES TERMES ET DES PICTOGRAMMES

1. **DANGER** : La mention DANGER, éventuellement associée à un pictogramme, signale des situations ou circonstances de danger immédiat menaçant la vie ou l'intégrité corporelle.
2. **AVERTISSEMENT** : La mention AVERTISSEMENT, éventuellement associée à un pictogramme, signale des situations ou circonstances de danger potentiel menaçant la vie ou l'intégrité corporelle.
3. **MISE EN GARDE** : La mention MISE EN GARDE, éventuellement associée à un pictogramme, est utilisée pour attirer l'attention sur des situations ou des conditions susceptibles de provoquer des blessures.
4. **ATTENTION** : La mention ATTENTION, éventuellement associée à un pictogramme, signale des situations ou circonstances pouvant entraîner des dommages matériels et/ou environnementaux.



Ce pictogramme indique un danger susceptible de provoquer une décharge électrique.



Ce pictogramme indique les zones ou les situations dangereuses.



Ce pictogramme indique des dangers liés à des surfaces chaudes.



Ce pictogramme signale des dangers liés à des sources lumineuses intenses.



Ce pictogramme indique que l'appareil ne contient aucune pièce remplaçable par l'utilisateur.



Ce pictogramme indique des informations supplémentaires concernant le fonctionnement du produit.

## CONSIGNES DE SÉCURITÉ



### **DANGER :**

1. N'ouvrez pas l'appareil et n'y apportez aucune modification.
2. Si votre appareil ne fonctionne plus correctement, si des liquides ou des objets ont pénétré à l'intérieur ou s'il a été endommagé de toute autre manière, éteignez-le immédiatement et débranchez-le de son alimentation. L'appareil ne peut être réparé que par des techniciens de réparation agréés.
3. Pour les appareils de classe de protection 1, le conducteur de protection doit être correctement raccordé. Ne débranchez jamais le conducteur de terre de protection. Les appareils de classe de protection 2 ne disposent pas d'un conducteur de protection.
4. Veillez à ce que les câbles sous tension ne soient pas pliés ou soumis à d'autres dommages mécaniques.
5. Ne court-circuitiez jamais le fusible de l'appareil.



### **AVERTISSEMENT :**

1. L'appareil ne doit pas être utilisé s'il présente des signes évidents de dommages.
2. L'appareil ne doit être installé que lorsqu'il se trouve hors tension.
3. Si son câble secteur est endommagé, n'utilisez pas l'appareil.
4. Les câbles secteur captifs ne doivent être remplacés que par une personne qualifiée.

**ATTENTION :**

1. Ne mettez pas immédiatement l'appareil en service s'il a été exposé à d'importantes variations de température (par exemple, juste après son transport). L'humidité et la condensation sont susceptibles d'endommager l'appareil. Ne mettez l'appareil sous tension qu'une fois qu'il a atteint la température ambiante.
2. Assurez-vous que la tension et la fréquence du secteur correspondent aux valeurs indiquées sur l'appareil. Si l'appareil est équipé d'un sélecteur de tension, ne le mettez pas en marche tant qu'il n'a pas été réglé correctement. N'utilisez que des câbles secteur appropriés.
3. Pour déconnecter l'appareil du réseau sur tous les pôles, il ne suffit pas d'appuyer sur l'interrupteur marche/arrêt de l'appareil.
4. Assurez-vous que le fusible installé correspond au type imprimé sur l'appareil.
5. Assurez-vous que des mesures appropriées ont été prises contre les surtensions (par exemple, la foudre).
6. Respectez l'intensité de sortie maximale spécifiée sur les appareils pourvus d'un renvoi secteur (Power Out). Vérifiez que la consommation totale de courant de tous les appareils connectés ne dépasse pas la valeur indiquée.
7. Ne remplacez les cordons secteur enfichables que par des cordons d'origine.

**DANGER :**

1. Danger d'asphyxie ! Les sacs en plastique et les petites pièces doivent être tenus hors de portée des personnes (notamment les enfants) possédant des capacités physiques, sensorielles ou mentales réduites.
2. Danger en cas de chute de l'appareil ! Vérifiez que l'appareil est correctement installé et ne peut pas tomber. Utilisez uniquement des supports ou des fixations appropriés (en particulier pour les installations fixes). Assurez-vous que les accessoires sont correctement installés et fixés. Veillez à respecter les consignes de sécurité en vigueur.

**AVERTISSEMENT :**

1. N'utilisez cet appareil que conformément à l'usage prévu et de la manière prescrite.
2. N'utilisez avec l'appareil que des accessoires recommandés et prévus par le fabricant.
3. Lors de l'installation, respectez les règles de sécurité en vigueur dans votre pays.
4. Après avoir connecté l'appareil, vérifiez tous les passages de câbles afin d'éviter tout dommage ou accident, par exemple en cas de risque de trébuchement.
5. Respectez toujours la distance minimale spécifiée par rapport aux matériaux normalement inflammables. Sauf mention explicite, la distance minimale est de 0,3 m.
6. Respectez impérativement la distance minimale par rapport à la surface éclairée qui figure sur l'appareil.

**PRUDENCE :**

1. Il existe un risque de coincement du câble dans des pièces mobiles telles que des étriers de montage ou d'autres pièces mobiles.
2. Pour les appareils équipés de composants entraînés par moteur, il existe un risque de blessure dû aux mouvements de l'appareil. Des mouvements soudains de l'appareil peuvent provoquer des réactions brutales.

**ATTENTION :**

1. N'installez pas et n'utilisez pas cet appareil à proximité de radiateurs, d'accumulateurs thermiques, de fours ou d'autres sources de chaleur. Veillez à assurer en permanence un refroidissement suffisant de l'appareil, de façon à éviter toute surchauffe.
2. Ne placez pas de sources d'inflammation (flammes nues) telles que des bougies allumées à proximité de l'appareil.
3. Les ouvertures de ventilation ne doivent pas être couvertes et les ventilateurs ne doivent pas être bloqués.
4. Pour le transport, utilisez l'emballage d'origine ou l'emballage fourni par le fabricant.
5. Évitez les chocs ou les impacts sur l'appareil.
6. Respectez la classe de protection IP ainsi que les conditions ambiantes telles que la température et l'humidité spécifiées dans les caractéristiques.
7. Les appareils font en permanence l'objet d'améliorations. En cas de divergence entre les instructions d'utilisation et l'étiquetage de l'appareil en ce qui concerne les conditions d'utilisation, les performances ou d'autres caractéristiques de l'appareil, les informations figurant sur l'appareil prévalent toujours.
8. L'appareil n'est pas adapté aux climats tropicaux ni à un fonctionnement à plus de 2000 m au-dessus du niveau de la mer.
9. Sauf indication contraire, l'appareil n'est pas adapté à une utilisation en environnement marin.

**REMARQUE :**

Pour les kits de transformation/de postéquipement ou les accessoires prévus par le fabricant, respecter impérativement la notice jointe.

**CONSEILS POUR APPAREILS AVEC BATTERIE, BATTERIES ET CHARGEURS :**

1. Tenez l'appareil avec batterie à l'écart des sources de chaleur et ne l'exposez pas à la lumière directe du soleil. Ne le posez pas sur ou dans des appareils dégageant de la chaleur, tels que des fours à micro-ondes, des fours ou des radiateurs. Les batteries peuvent exploser en cas de surchauffe. Respectez impérativement les conditions ambiantes et les conditions de fonctionnement conseillées. Celles-ci se trouvent dans les spécifications techniques.
2. N'ouvrez pas l'appareil. N'apportez aucune modification à la batterie et n'essayez pas de la remplacer.



3. N'endommagez pas les batteries ou les blocs de batteries. Les films de protection et les autocollants ne doivent pas être retirés. N'introduisez pas de corps étrangers dans la batterie. Aucun liquide ne doit pénétrer dans la batterie. Il existe un risque d'incendie et d'explosion ainsi que d'autres situations dangereuses (par ex. émanations de gaz).
4. En cas de surchauffe ou de déformation de l'appareil, mettez-le immédiatement hors service. Si vous continuez à utiliser l'appareil, il existe un risque d'incendie et d'explosion ainsi que d'autres situations dangereuses (par ex. émanations de gaz).
5. Ne jetez pas l'appareil dans le feu. Risque d'explosion !
6. Évitez d'exercer toute action mécanique importante sur l'appareil. Les dommages provoqués par une chute, un écrasement ou une perforation ainsi qu'une pression élevée entraînent un risque d'incendie et d'explosion ainsi que d'autres situations dangereuses (par ex. émanations de gaz).
7. Ne chargez l'appareil ou la batterie que selon les modalités conseillées.
8. Veuillez noter que la fonction de charge n'est pas forcément désactivée via l'interrupteur principal sur tous des appareils.
9. Dans le cas des dispositifs de charge intégrés dans des mallettes de transport, le processus de charge ne doit être effectué que lorsque le couvercle est ouvert.
10. Les fuites de liquide sont corrosives et peuvent être toxiques. Le liquide peut entraîner une irritation de la peau et des yeux et peut être dangereux en cas d'ingestion. Évitez tout contact avec le liquide qui a fui. En cas de contact avec le liquide, rincez immédiatement et abondamment à l'eau et consultez un médecin.



### **RECHARGE, FONCTIONNEMENT ET STOCKAGE DES BATTERIES**

1. Pour charger des batteries fixes intégrées, raccordez l'appareil à la source de tension conseillée. N'oubliez pas que la fonction de charge n'est pas forcément désactivée via l'interrupteur principal sur tous des appareils.
2. La durée nécessaire à une charge complète de la batterie est indiqué dans les caractéristiques techniques. Pour plus d'informations sur l'affichage du niveau de charge de la batterie, reportez-vous au chapitre UTILISATION.
3. Les appareils équipés de batteries au lithium sont équipés des dispositifs de protection usuels.
4. Ne chargez pas la batterie en dehors des conditions ambiantes spécifiées dans les caractéristiques techniques. Sauf indication contraire, la température doit être comprise entre +5 ° et +35 ° Celsius, dans un environnement sec.
5. Reportez-vous aux caractéristiques techniques pour connaître les conditions ambiantes d'utilisation admises. Sauf indication contraire, la température d'utilisation ne doit pas être inférieure à +5 °C ni supérieure à +35 °C, dans un environnement sec.
6. La température ambiante de stockage admise est indiquée dans les caractéristiques techniques. Sauf indication contraire, la température de stockage ne doit pas être inférieure à +5 °C ni supérieure à +35 °C, dans un environnement sec.
7. Lorsque la batterie est déchargée, rechargez-la entièrement sans attendre.



8. N'entreposez l'appareil qu'avec sa batterie complètement chargée. Les batteries dont la charge n'est pas complète peuvent perdre leur capacité et leur durée de vie de manière prématurée.
9. Si l'appareil n'est pas utilisé pendant une période prolongée, effectuez un cycle complet de décharge/recharge au moins tous les 3 mois.
10. L'interrupteur principal de l'appareil doit être sur Off lors du stockage.
11. Les valeurs d'autonomie indiquées se rapportent toujours à une batterie à l'état neuf et aux conditions d'utilisation habituelles.
12. Lors d'une utilisation dans un environnement froid, l'autonomie de la batterie peut être plus faible que prévu.
13. Si l'autonomie sur batterie de l'appareil diffère considérablement de celle indiquée, contactez votre partenaire commercial.



## REMARQUES CONCERNANT LES APPAREILS D'EXTÉRIEUR MOBILES

1. Utilisation temporaire Cet appareil est conçu uniquement pour une utilisation temporaire.
2. Une utilisation en continu ou un installation de longue durée, en particulier à l'extérieur, peut altérer le fonctionnement, les surfaces et les joints, et accélérer la fatigue des matériaux.
3. Un revêtement de surface endommagé peut altérer la protection contre la corrosion de l'appareil. Tout dommage au revêtement de surface (par ex. rayures) doit être réparé dans les plus brefs délais par des mesures appropriées.

## CONTENU DU CARTON

Retirez le produit de son emballage, et mettez de côté tous les matériaux d'emballage.

Assurez-vous que la livraison est complète et n'est pas endommagée ; dans le cas contraire, informez votre partenaire commercial aussitôt après l'achat.

Contenu du carton :

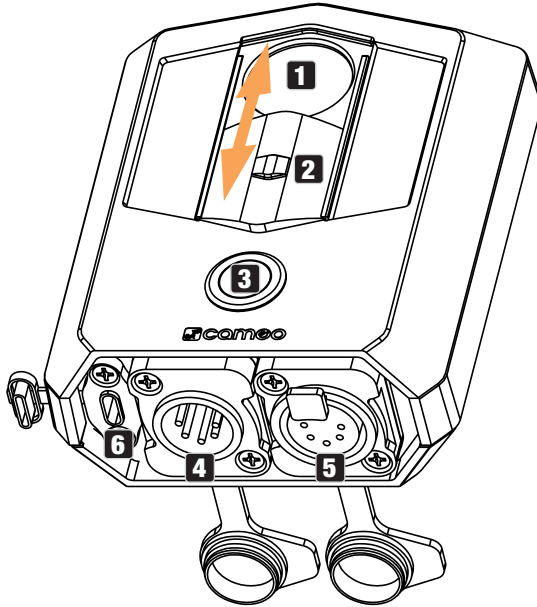
- ▶ 1 × Capteur de lumière ambiante/interface DMX UNISENS
- ▶ 1 × Câble USB-A vers USB-C
- ▶ Informations sur la sécurité et la conformité (mode d'emploi à télécharger via le code QR)

## INTRODUCTION

Le Cameo UNISENS, alimenté sur batterie et doté d'un indice de protection IP65, est un capteur de lumière ambiante qui enregistre différents paramètres d'éclairage et les met à disposition via DMX. Grâce à la fonction DMX Merge, il est possible d'intégrer l'appareil à volonté dans un système. Il se contrôle par l'intermédiaire d'une touche avec un anneau LED multicolore identifiant le mode de fonctionnement. La configuration s'effectue via RDM, le contrôleur "maison" Cameo UNICON est recommandé à cet effet.

Les projecteurs compatibles disposent d'un mode DMX spécial prévu pour le contrôle par l'UNISENS.

## CONNECTEURS, COMMANDES ET INDICATEURS/AFFICHEURS



### 1 CAPTEUR DE LUMIÈRE

Veillez à ce que le capteur soit exempt de poussière et de saleté et ne présente pas de rayures. Les salissures et les dommages nuisent à la précision des mesures. Si nécessaire, nettoyez le capteur avec un chiffon doux humidifié ou avec un pinceau optique.

### 2 COUVERCLE DE PROTECTION

Faites glisser le couvercle de protection sur le capteur lorsque vous n'utilisez pas l'appareil.

### 3 INTERRUPTEUR MARCHÉ/ARRÊT (BOUTON-POUSSOIR) AVEC ANNEAU LED MULTICOLORE

Appuyez sur la touche et maintenez-la enfoncée durant 3 secondes environ pour mettre l'appareil en marche ou l'arrêter.

L'anneau LED multicolore indique les modes de fonctionnement suivants :

- Bleu** = Mode continu (mesure permanente)
- Vert** = Mesure One Shot (initiée par pression sur la touche)
- Magenta** = Mode continu (mesure permanente) et batterie en cours de charge
- Jaune** = Mesure One Shot (initiée par pression sur la touche) et batterie en cours de charge
- Rouge** = Appareil éteint, batterie en cours de charge (anneau LED éteint = batterie entièrement chargée, veuillez débrancher le chargeur)

Pour passer d'un mode à l'autre : double-clic

#### **4 DMX IN (entrée DMX)**

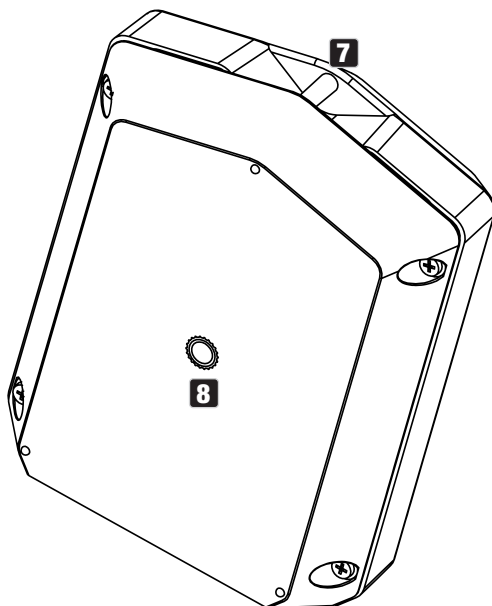
Embase XLR 5 broches mâle IP65 permettant de raccorder un contrôleur RDM/DMX, par exemple un Cameo UNICON (si vous n'utilisez pas l'embase, mettez systématiquement en place le cache étanche en caoutchouc).

#### **5 DMX OUT (renvoi DMX)**

Embase XLR 5 broches femelle IP65 pour le renvoi du signal de pilotage DMX entrant (si vous n'utilisez pas l'embase, mettez systématiquement en place le cache étanche en caoutchouc).

#### **6 Port USB-C**

Prise pour recharge de la batterie interne. Vous pouvez utiliser n'importe quel chargeur usuel de 5 V doté d'un connecteur USB-C (l'état de charge apparaît sur le Cameo UNICON).



#### **7 CÉILLET DE FIXATION**

Ceillet de fixation pour dragonne.

#### **8 FILETAGE POUR TRÉPIED**

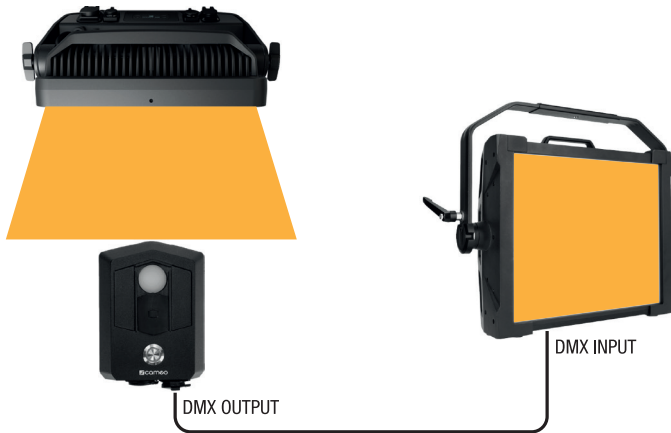
Utilisez le filetage 1/4 pouce pour monter l'appareil sur un trépied approprié (par exemple un trépied d'appareil photo).



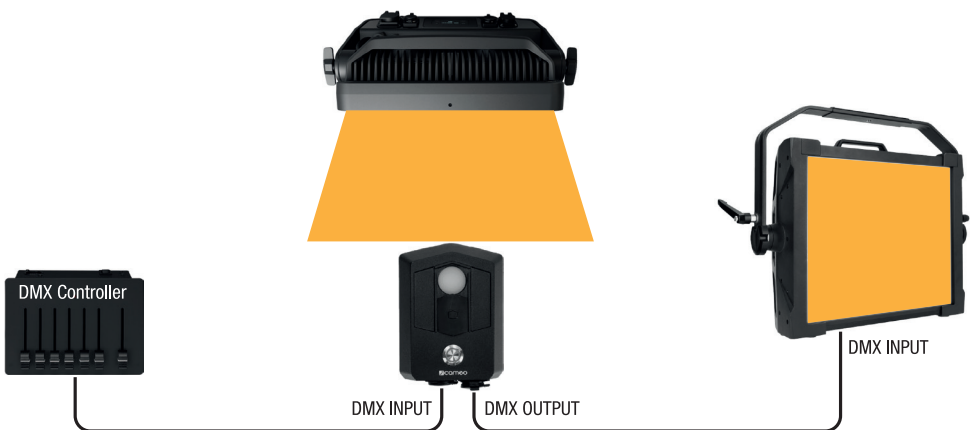
## EXEMPLES D'APPLICATION

Pendant le processus de mesure, dirigez le capteur de l'UNISENS directement vers la source lumineuse à mesurer.

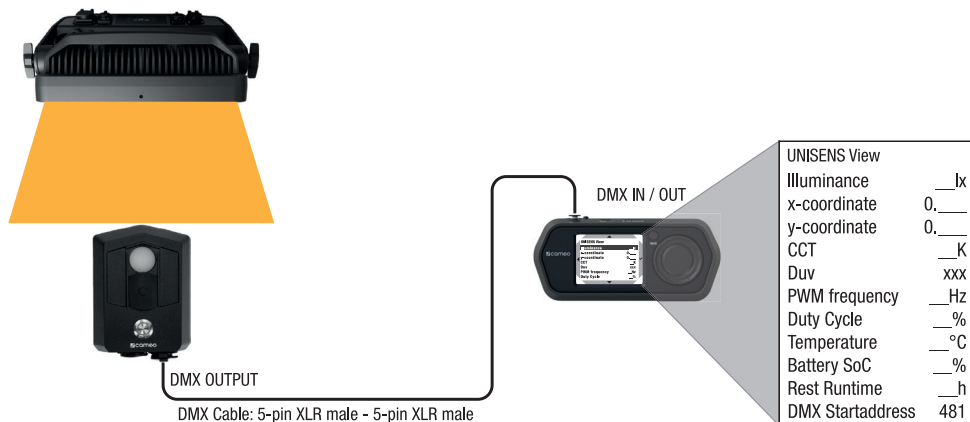
1. L'UNISENS mesure la couleur de la lumière, le projecteur reproduit la couleur de lumière mesurée. Le réglage de la luminosité s'effectue manuellement sur le projecteur.



2. L'UNISENS mesure la couleur de la lumière, le projecteur reproduit la couleur de lumière mesurée. Le réglage de la luminosité s'effectue via un contrôleur DMX.



3. L'UNISENS mesure la source lumineuse, l'UNICON affiche les valeurs mesurées (sélectionner UNISENS View dans le menu principal de l'UNICON et confirmer. Maintenez toujours le micro-logiciel de l'UNICON à jour). L'adresse de départ DMX de l'UNISENS est réglée par défaut sur 481, afin que les données de mesure de la source lumineuse soient affichées dans l'UNICON. L'adresse de départ DMX peut toutefois être adaptée individuellement (voir point 4).



4. Modifier l'adresse de départ DMX et le mode de fonctionnement de l'UNISENS via l'UNICON (MENU -> RDM/Fixture -> DMX Address ou DMX Mode).



## ENTRETIEN, MAINTENANCE ET RÉPARATION

Afin de garantir son bon fonctionnement à long terme, l'appareil doit être régulièrement nettoyé et, si nécessaire, passer en maintenance. La périodicité d'entretien et de maintenance dépend de l'intensité et de l'environnement d'utilisation.

Nous vous recommandons de procéder à une inspection visuelle avant chaque utilisation. En outre, nous recommandons d'effectuer toutes les opérations de maintenance applicables spécifiées ci-dessous une fois toutes les 500 heures de fonctionnement ou, en cas d'intensité d'utilisation moindre, au plus tard au bout d'un an. Les réclamations au titre de la garantie peuvent être limitées en cas de défauts résultant d'un entretien inadéquat.

## ENTRETIEN (réalisable par l'utilisateur)



**AVERTISSEMENT !** Avant toute opération d'entretien, l'alimentation électrique et, dans la mesure du possible, toutes les connexions de l'appareil doivent être débranchées.



**REMARQUE !** Un entretien inapproprié peut entraîner une dégradation de l'appareil, voire sa destruction.

1. Les surfaces du boîtier doivent être nettoyées avec un chiffon propre et humide. Veiller à ce qu'aucune humidité ne pénètre dans l'appareil.
2. Les orifices d'entrée et de sortie d'air doivent être nettoyés régulièrement pour éliminer la poussière et les impuretés. En cas d'utilisation d'air comprimé, veillez à ce que l'appareil ne soit pas endommagé (les ventilateurs doivent notamment être bloqués pour éviter qu'ils tournent à une vitesse excessive).
3. Les câbles et connecteurs doivent être nettoyés régulièrement et débarrassés de la poussière et des impuretés.
4. De manière générale, aucun produit de nettoyage ou produit abrasif ne doit être utilisé pour l'entretien, faute de quoi la finition de la surface pourrait être endommagée.
5. De manière générale, les appareils doivent être stockés au sec et protégés de la poussière et des salissures.

## MAINTENANCE ET RÉPARATION (uniquement par du personnel qualifié)



**DANGER !** L'appareil renferme des composants sous tension. Même après déconnexion du secteur, il peut subsister une tension résiduelle dans l'appareil, par exemple à cause de condensateurs chargés.



**REMARQUE !** L'appareil ne contient pas de sous-ensembles pouvant être réparés par l'utilisateur.



**REMARQUE !** Les travaux de maintenance et de réparation ne peuvent être effectués que par du personnel spécialisé autorisé par le fabricant. En cas de doute, adressez-vous au fabricant.



**REMARQUE !** Des travaux d'entretien effectués de manière non conforme peuvent affecter le droit à la garantie.

## CARACTÉRISTIQUES TECHNIQUES

Référence produit	CLUNISENS
Catégorie de produit	Accessoire pour projecteur
Type	Capteur de lumière ambiante/interface DMX
Protocoles de contrôle	DMX512, RDM
Connecteurs pour données	XLR 5 broches mâle et femelle
Interface utilisateur	Touche haptique avec rétroéclairage coloré
Type de batterie	Batterie lithium-ion
Capacité de la batterie	3000 mAh
Durée de charge de la batterie	8 h
Autonomie de la batterie	>20 h
Tension de charge	5 V
Intensité de charge recommandée	500 mA
Connecteur de charge	Port USB-C
Température ambiante	-10 ° C - 40 ° C
Indice IP	IP65
Précision photométrique	<5%
Précision colorimétrique	<2%
UID RDM	0x08A40600XXXX
Dimensions	126 x 92 x 43 mm
Masse	0,44 kg
Accessoires livrés	Câble USB-A vers USB-C

## EXPLICATIONS RELATIVES À L'INDICE DE PROTECTION IP

1. L'indice de protection IP exprime uniquement la protection contre les corps solides et l'eau. Il ne décrit pas la résistance générale aux intempéries, comme la protection contre les rayons UV et les effets de la température, etc.
2. Le premier chiffre indique la protection contre la poussière, les corps solides et le contact :

IP2X	Protection contre les corps étrangers solides d'un diamètre $\geq$ 12,5 mm
IP3X	Protection contre les corps étrangers solides d'un diamètre $\geq$ 2,5 mm
IP4X	Protection contre les corps étrangers solides d'un diamètre $\geq$ 1,0 mm
IP5X	Protection contre la poussière en quantités dangereuses et entièrement protégé contre les contacts accidentels
IP6X	Étanchéité à la poussière et protection complète contre les contacts accidentels

3. Le second chiffre indique la protection contre l'eau :

IPX0	Aucune protection
IPX1	Protection contre les gouttes d'eau
IPX2	Protection contre les chutes de gouttes d'eau lorsque l'appareil est incliné à 15°
IPX3	Protection contre l'eau pulvérisée jusqu'à 60° par rapport à la verticale
IPX4	Protection contre les projections d'eau de toutes directions

IPX5	Protection contre les jets d'eau (buse) sous n'importe quel angle
IPX6	Protection contre les jets d'eau puissants
IPX7	Protection contre les effets d'une immersion temporaire

4. En outre, des mesures spécifiques à l'appareil, telles que des caches et des capuchons de fermeture, sont parfois nécessaires pour atteindre le type de protection indiqué (par ex. capuchons de protection sur les connecteurs non utilisés).



Vous trouverez l'indice de protection IP du produit dans les caractéristiques techniques ; il est également sérigraphié sur l'appareil.

## MISE AU REBUT



### EMBALLAGE :

1. Les emballages peuvent être apportés au circuit de recyclage via les voies de collecte habituelles.
2. Triez l'emballage conformément à la législation sur l'élimination des déchets et à la réglementation sur les matériaux recyclables en vigueur dans votre pays.



### APPAREIL :

1. Cet appareil est soumis à la directive européenne sur les déchets d'équipements électriques et électroniques dans sa version actuelle. Directive DEEE (Déchets d'Équipements Électriques et Électroniques). Les appareils usagés ne doivent pas être jetés avec les ordures ménagères. L'appareil usagé doit être éliminé par une entreprise de recyclage agréée ou une déchetterie municipale. Respectez les réglementations en vigueur dans votre pays.
2. Veillez à respecter la législation relative à l'élimination des déchets en vigueur dans votre pays.
3. En tant que particulier, vous obtiendrez des informations sur les possibilités d'élimination respectueuses de l'environnement en vous rapprochant de la boutique dans laquelle vous avez acheté le produit ou des autorités régionales compétentes.

## DÉCLARATIONS DU FABRICANT

### Garantie du fabricant et limitation de responsabilité

Adam Hall GmbH, Adam-Hall-Str. 1, D-61267 Neu Anspach /

E-mail [Info@adamhall.com](mailto:Info@adamhall.com) / +49 (0)6081 / 9419-0

Nos conditions de garantie et nos clauses de limitation de responsabilité actuelles sont disponibles sur Internet à l'adresse suivante :

[https://cdn-shop.adamhall.com/media/pdf/Manufacturers-Declarations-CAMEO\\_DE\\_EN\\_ES\\_FR.pdf](https://cdn-shop.adamhall.com/media/pdf/Manufacturers-Declarations-CAMEO_DE_EN_ES_FR.pdf).

En cas de panne, contactez votre partenaire commercial.

### **Conformité CE**

Par la présente, Adam Hall GmbH déclare que ce produit est conforme aux directives suivantes (si applicables) :

Directive basse tension (2014/35/UE)

Directive CEM (2014/30/UE)

RoHS (2011/65/UE)

RED (2014/53/UE)

### **Déclaration de conformité CE**

Les déclarations de conformité pour les produits soumis aux directives LVD, EMC et RoHS peuvent être demandées à l'adresse [info@adamhall.com](mailto:info@adamhall.com)

Les déclarations de conformité pour les produits soumis à la directive RED peuvent être téléchargées sur [www.adamhall.com/compliance/](http://www.adamhall.com/compliance/)

**Sous réserve de fautes d'impression et d'erreurs, ainsi que de modifications techniques ou autres !**

¡Gracias por elegir nuestros productos!

Este equipo está diseñado y fabricado con los estándares de calidad más exigentes, para garantizar un correcto funcionamiento durante muchos años. Lea atentamente este manual de usuario para poder aprovechar rápidamente toda la funcionalidad de su nuevo producto de Cameo Light. Más información sobre Cameo Light en la web **CAMEOLIGHT.COM**

## **INFORMACIÓN SOBRE ESTE MANUAL DE USUARIO**

- Lea atentamente las instrucciones de seguridad y todo el manual antes de utilizar el equipo.
- Respete los indicadores de advertencia que aparecen en el equipo y en las instrucciones de uso.
- Tenga siempre a mano el manual de usuario.
- Si vende o cede el aparato, es importante que incluya también este manual del usuario, ya que forma parte integrante del producto.

## **USO PREVISTO**

Este producto está pensado para el sector de eventos.

Este producto ha sido desarrollado para uso profesional en el sector de eventos y no está diseñado para el uso doméstico.

Además, este producto está destinado exclusivamente a usuarios cualificados con experiencia en instalación temporal de equipos. Los equipos para eventos están diseñados solo para un uso temporal y no están destinados a un uso permanente ni a una instalación permanente. ¡Indicado para la tecnología de eventos!

Se considerará contrario al uso previsto utilizar este producto fuera de las condiciones de funcionamiento y las características técnicas especificadas.

Queda excluida toda responsabilidad por daños personales y materiales si se utiliza el producto fuera del uso previsto.

El producto no es adecuado para:

- Personas (incluidos niños) con capacidades físicas, sensoriales o mentales reducidas o con falta de experiencia y conocimientos.
- Niños (los niños deben recibir instrucciones de no jugar con este equipo).

## **DEFINICIONES Y EXPLICACIONES DE LOS SÍMBOLOS**

1. **PELIGRO:** La palabra PELIGRO, posiblemente en combinación con un símbolo, indica una situación o condición inminentemente peligrosa para la vida y la integridad física.
2. **ADVERTENCIA:** La palabra ADVERTENCIA, posiblemente en combinación con un símbolo, indica situaciones o condiciones potencialmente peligrosas para la vida y la integridad física.
3. **PRECAUCIÓN:** La palabra PRECAUCIÓN, posiblemente en combinación con un símbolo, se utiliza para indicar situaciones o condiciones que pueden provocar lesiones.
4. **ATENCIÓN:** La palabra ATENCIÓN, posiblemente en combinación con un símbolo, indica situaciones o condiciones que pueden provocar daños a la propiedad y/o al medioambiente.



Este símbolo indica peligro de descarga eléctrica.



Este símbolo identifica las zonas o situaciones peligrosas.



Este símbolo indica peligro por superficie a alta temperatura.



Este símbolo indica peligro debido a fuente de luz intensa.



Este símbolo indica que en el equipo no hay piezas que pueda sustituir el usuario.



Este símbolo indica información complementaria sobre el uso del producto.

## INSTRUCCIONES DE SEGURIDAD



### PELIGRO:

1. No abra el equipo ni intente modificarlo.
2. Si el equipo no funciona correctamente o si se ha vertido líquido sobre él o si un objeto ha caído en su interior o si ha sufrido algún desperfecto, apague inmediatamente el equipo y desenchufe el cable eléctrico. Únicamente un técnico especialista debe reparar el equipo.
3. Para los equipos de la clase de protección 1, el conductor de protección debe estar conectado correctamente. No desconecte nunca el conductor de protección. Los equipos de la clase de protección 2 no tienen conductor de protección a tierra.
4. Asegúrese de que los cables con tensión no estén doblados ni dañados mecánicamente de alguna forma.
5. Nunca puentee el fusible del equipo.



### ADVERTENCIA:

1. El equipo no debe ponerse en funcionamiento si presenta daños evidentes.
2. El equipo solo debe instalarse cuando esté desenchufado de la corriente eléctrica.
3. Si el cable eléctrico está dañado, no ponga en funcionamiento el equipo.
4. Los cables eléctricos fijos solo deben ser sustituidos por una persona cualificada.





### **ATENCIÓN:**

1. Si el equipo ha estado expuesto a un cambio brusco de temperatura (por ejemplo, después del transporte), no lo encienda inmediatamente. La condensación o la humedad podrían dañar el equipo. No encienda el equipo hasta que haya alcanzado la temperatura ambiente.
2. Asegúrese de que la tensión y la frecuencia de la red eléctrica coinciden con los valores indicados en el equipo. Si el equipo dispone de un selector de tensión, antes de enchufarlo a la red eléctrica, asegúrese de que el valor seleccionado es correcto. Utilice solo cables eléctricos adecuados.
3. Para desconectar completamente el equipo de la red eléctrica, no es suficiente con pulsar el interruptor de encendido/apagado del equipo.
4. Asegúrese de que el fusible utilizado corresponde al tipo impreso en el equipo.
5. Asegúrese de que se han tomado las medidas necesarias contra las sobretensiones (por ejemplo, si cae un rayo).
6. Respete la corriente de salida máxima especificada en los equipos con salida eléctrica en paralelo. Asegúrese de que el consumo total de corriente de todos los equipos conectados no supera el valor especificado.
7. Sustituya los cables eléctricos solo por otros cables originales.



### **PELIGRO:**

1. ¡Peligro de asfixia! Las bolsas de plástico y las piezas pequeñas deben mantenerse fuera del alcance de las personas (incluidos los niños) con capacidades físicas, sensoriales o mentales reducidas.
2. ¡Peligro de caída! Asegúrese de que el equipo está sólidamente instalado y no se puede caer. Utilice únicamente soportes y anclajes adecuados (especialmente en instalaciones fijas). Asegúrese de que los accesorios están correctamente instalados y firmemente fijados. Asegúrese de que se cumplen las normas de seguridad pertinentes.



### **ADVERTENCIA:**

1. Utilice el equipo únicamente de la forma prevista.
2. Emplee el equipo solo con los accesorios previstos y recomendados por el fabricante.
3. Al instalar el equipo, respete las normas de seguridad aplicables en su país.
4. Una vez conectado el equipo, compruebe que en toda la longitud del cableado no hay peligro de que provoque una caída, por ejemplo.
5. ¡Es esencial respetar la distancia mínima especificada a los materiales normalmente inflamables! Si no se indica explícitamente, la distancia mínima es de 0,3 m.
6. Hay que tener siempre en cuenta la distancia mínima a la superficie iluminada (indicada en el equipo).

**PRECAUCIÓN:**

1. Las piezas móviles, como los soportes de montaje u otras piezas, pueden quedarse atascadas.
2. En el caso de los equipos con componentes accionados por motor, existe riesgo de lesiones por el movimiento del equipo. Un movimiento brusco del aparato puede provocar lesiones por impacto.

**ATENCIÓN:**

1. Evite instalar el equipo cerca de radiadores, acumuladores de calor, estufas o cualquier otra fuente de calor. Asegúrese de que el equipo esté instalado en un lugar con ventilación suficiente para evitar cualquier sobrecalentamiento.
2. No coloque cerca del equipo fuentes de llamas sin protección, por ejemplo, velas encendidas.
3. Las rejillas de ventilación no deben estar cubiertas; los ventiladores no deben estar bloqueados.
4. Utilice el embalaje original u otro embalaje suministrado por el fabricante para el transporte.
5. Evite los golpes o impactos en el equipo.
6. Respete la clase de protección IP, así como las condiciones ambientales, como la temperatura y la humedad, de acuerdo con las especificaciones.
7. Los equipos pueden perfeccionarse constantemente. En caso de que la información sobre las condiciones de funcionamiento, el rendimiento u otras propiedades del equipo especificada en el manual del usuario difiera de la información del etiquetado del equipo, siempre tendrá prioridad la información del equipo.
8. El equipo no es adecuado para climas tropicales ni para funcionar a más de 2.000 m sobre el nivel del mar.
9. A menos que se indique explícitamente, el equipo no es adecuado para su uso en entornos marinos.

**NOTA:**

Si se utilizan sets de conversión o reequipamiento, o accesorios suministrados por el fabricante, asegúrese de respetar el manual de instrucciones adjunto.

**LOS APARATOS CON BATERÍAS RECARGABLES, LAS BATERÍAS RECARGABLES Y LOS CARGADORES SON PELIGROSOS:**

1. Mantenga el dispositivo equipado con baterías alejado de fuentes de calor y no lo exponga a la luz solar directa. No lo coloque encima ni dentro de aparatos que emitan calor, como microondas, hornos o radiadores. Las baterías pueden explotar si se sobrecalientan. Respete siempre la temperatura ambiente y las condiciones de funcionamiento permitidas. Las encontrará en las especificaciones técnicas.
2. No abra el equipo. No modifique la batería ni intente sustituir las celdas de la batería.



3. Las pilas o baterías no deben estar dañadas. No retire las láminas protectoras ni las etiquetas adhesivas. No introduzca objetos extraños en la batería. No permita que entren líquidos en la batería. Existe riesgo de incendio y explosión, así como otras situaciones peligrosas (p. ej., liberación de gases).
4. Si el equipo se deforma o se sobrecalienta, apáguelo inmediatamente. Si sigue utilizando el equipo, existe riesgo de incendio y explosión, así como otras situaciones peligrosas (p. ej., liberación de gases).
5. No arroje el equipo al fuego. ¡Peligro de explosión!
6. Evite que el equipo sufra impactos mecánicos fuertes. Los daños por caídas, aplastamientos o perforaciones, así como por alta presión, pueden provocar riesgos de incendio y explosión, así como otras situaciones peligrosas (p. ej., liberación de gases).
7. Cargue el equipo o la batería solo de la forma prevista.
8. Tenga en cuenta que la función de carga no se desactiva con el interruptor principal en todos los equipos.
9. En caso de que el equipo de carga esté dentro de una maleta de transporte, el proceso de carga solo podrá realizarse con la tapa abierta.
10. Las fugas de líquido son corrosivas y pueden ser tóxicas. Los líquidos derramados pueden provocar irritación en la piel y los ojos, y son peligrosos si se ingieren. Evite el contacto con líquidos derramados. En caso de contacto con líquidos derramados, lave inmediatamente la zona afectada con abundante agua y consulte a un médico.



### **CARGA, MANEJO Y ALMACENAMIENTO DE LAS BATERÍAS**

1. Para cargar baterías recargables instaladas de forma permanente, conecte el equipo a la fuente de alimentación suministrada. Tenga en cuenta que la función de carga no se desactiva con el interruptor principal del aparato en todos los dispositivos.
2. Consulte en las especificaciones técnicas el tiempo de carga necesario para cargar completamente la batería. La información sobre el indicador del estado de la batería se encuentra en el capítulo FUNCIONAMIENTO.
3. Los equipos con baterías de litio están equipados con los dispositivos de protección habituales.
4. No cargue la batería si las condiciones ambientales no coinciden con las indicadas en las especificaciones técnicas. A menos que se indique lo contrario, estos valores se encuentran entre +5 °C y +35 °C en un entorno seco.
5. Las condiciones ambientales admisibles para el funcionamiento figuran en las especificaciones técnicas. A menos que se indique lo contrario, el equipo debe estar en un entorno seco a temperaturas entre +5 °C (mínima) y +35 °C (máxima).
6. La temperatura ambiente admisible para el almacenamiento figura en las especificaciones técnicas. A menos que se indique lo contrario, el equipo debe estar en un entorno seco a temperaturas entre +5 °C (mínima) y +35 °C (máxima).
7. Recargue la batería por completo lo antes posible una vez descargada.



8. Guarde el equipo solo con la batería completamente cargada. Las baterías almacenadas que no estén completamente cargadas pueden perder su capacidad y vida útil prematuramente.
9. Si el equipo no se utiliza durante un periodo prolongado, realice un ciclo completo de descarga y recarga al menos cada 3 meses.
10. El interruptor principal del equipo debe estar desconectado durante el periodo de almacenamiento.
11. La autonomía especificada de la batería se refiere siempre a una batería nueva y en condiciones normales de funcionamiento.
12. Si se utiliza en un entorno frío, la duración de la batería puede ser inferior a la especificada.
13. Si la autonomía del equipo en modo batería difiere significativamente de las especificaciones, póngase en contacto con su distribuidor.



### INDICACIONES PARA EQUIPOS PORTÁTILES DE EXTERIOR

1. Operación temporal. En principio, los equipos para eventos están diseñados solo para un uso temporal.
2. El funcionamiento continuo o la instalación permanente, sobre todo en exteriores, pueden perjudicar el funcionamiento, las superficies y las juntas, así como acelerar el desgaste del material.
3. Los daños en el revestimiento de la superficie pueden afectar a la protección anticorrosión del equipo. Si el revestimiento de la superficie está dañado (p. ej., por arañazos), se deberá reparar lo antes posible empleando las medidas adecuadas.

### ELEMENTOS SUMINISTRADOS

Saque el producto del embalaje y retire todo el material de embalaje.

Compruebe que ha recibido en perfecto estado todos los componentes del equipo e informe al distribuidor inmediatamente después de la compra si nota algún daño o la falta de algún componente.

El producto se suministra con:

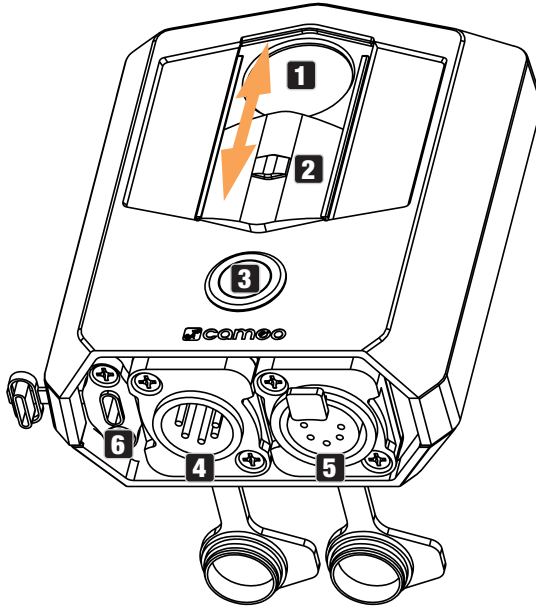
- ▶ 1 × UNISENS, sensor de luz ambiental con transmisión DMX
- ▶ 1 × Cable USB-A a USB-C
- ▶ Información sobre seguridad y conformidad (descargable mediante código QR)

### INTRODUCCIÓN

El Cameo UNISENS a baterías con protección IP65 es un sensor de luz ambiental que registra diversos parámetros de iluminación y los transmite por DMX. Gracias a la funcionalidad DMX, se puede integrar el equipo en un sistema en función de las necesidades. Se opera mediante un botón provisto de un anillo de LED multicolor que indica el modo de funcionamiento. La configuración se realiza mediante RDM; se recomienda utilizar el controlador Cameo UNICON.

Los focos compatibles disponen de un modo DMX especial para su control a través de UNISENS.

## CONEXIONES, CONTROLES E INDICADORES



### 1 SENSOR DE LUZ

Asegúrese de que el sensor está libre de polvo y suciedad y no presente arañazos. La suciedad y los arañazos merman la precisión de la medición. Si es necesario, limpie el sensor con un paño suave humedecido o con un cepillo para superficies ópticas.

### 2 TAPA PROTECTORA

Deslice la tapa protectora sobre el sensor cuando no utilice el equipo.

### 3 BOTÓN DE ENCENDIDO CON ANILLO LED INDICADOR

Pulse el botón durante aproximadamente tres segundos para encender o apagar el equipo.

El anillo LED indica los siguientes estados de funcionamiento:

- Azul** = Modo continuo (medición permanente).
- Verde** = Medición puntual (mide al pulsar el botón).
- Magenta** = Modo continuo (medición permanente) y la batería se está cargando.
- Amarillo** = Medición puntual (mide al pulsar el botón) y la batería se está cargando.
- Rojo** = Equipo apagado, la batería se está cargando (anillo LED apagado = batería totalmente cargada; desenchufe el cargador).

Para cambiar de modo, pulsar 2 veces.

**4 DMX IN**

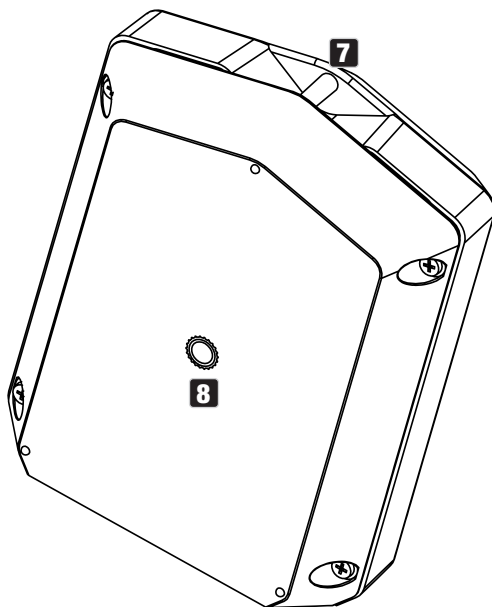
XLR macho IP65 de 5 pines para conectar un equipo de control RDM/DMX, como el Cameo UNICON (cuando no se utilice, dejar siempre cerrada la tapa de goma).

**5 DMX OUT**

XLR hembra IP65 de 5 pines para la salida de la señal de control DMX (cuando no se utilice, dejar siempre cerrada la tapa de goma).

**6 TOMA USB-C PARA CARGAR**

Toma para cargar la batería interna. Se pueden utilizar cargadores comerciales de 5 V con conector USB-C (el estado de la carga se puede ver en el Cameo UNICON).

**7 CÁNCAMO DE ENGANCHE**

Cáncamo para colgar una correa de transporte.

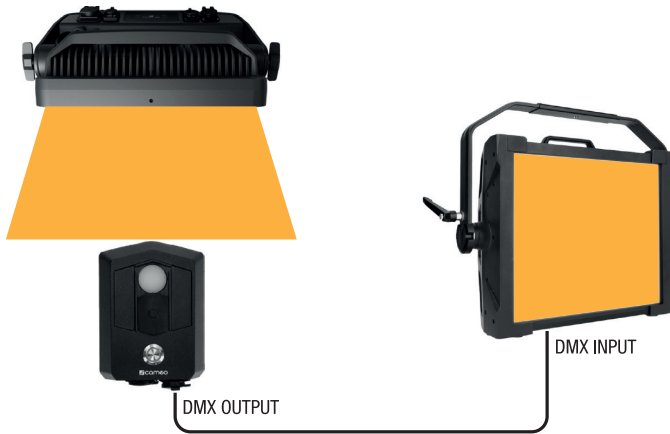
**8 ROSCA PARA SOPORTE**

Rosca de 1/4 de pulgada para montar el equipo en un soporte adecuado (como un trípode de cámara).

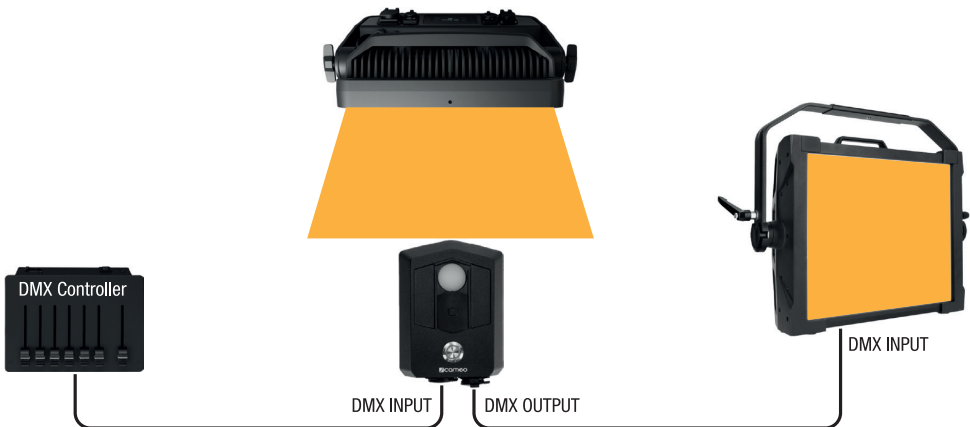
## EJEMPLOS DE APLICACIÓN

Apunte el sensor del UNISENS directamente a la fuente de luz que desea medir.

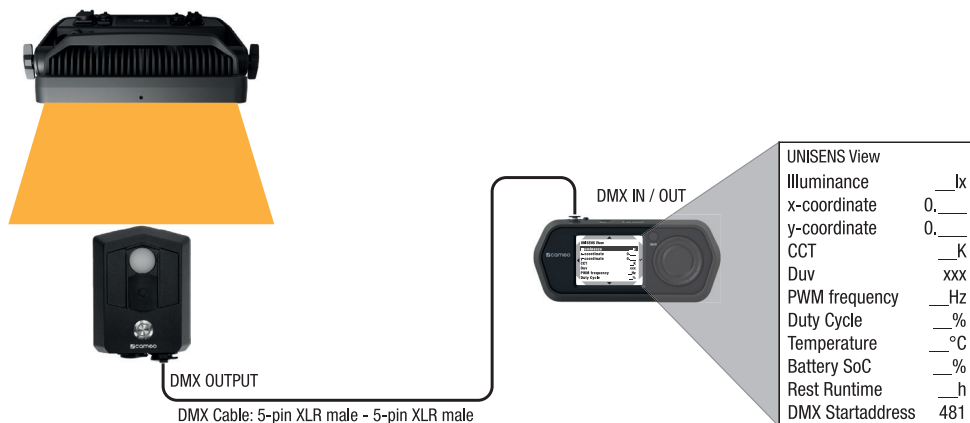
1. Con UNISENS se mide el color de la luz y el foco reproduce el color medido. La intensidad se ajusta manualmente en el foco.



2. Con UNISENS se mide el color de la luz y el foco reproduce el color medido. La intensidad se ajusta mediante un controlador DMX.



3. Con UNISENS se mide la fuente de luz, y UNICON muestra los valores medidos (en el menú principal del UNICON seleccione «UNISENS View» y confirme. Mantenga siempre actualizado el firmware del UNICON). La dirección de inicio DMX del UNISENS por defecto es 481 para que los datos de medición de la fuente de luz se muestren en el UNICON. No obstante, la dirección de inicio DMX puede personalizarse (véase el punto 4).



4. Cambie la dirección de inicio DMX y el modo de funcionamiento del UNISENS a través del UNICON (MENU > RDM/Fixture > DMX Address o DMX Mode).



## CUIDADO, MANTENIMIENTO Y REPARACIÓN

Para garantizar el buen funcionamiento del equipo a largo plazo, hay que limpiarlo con regularidad y, si es necesario, hacerle las revisiones necesarias. Los requisitos de mantenimiento dependen de la intensidad de uso y del entorno en el que se utilice.

Por lo general, recomendamos una inspección visual antes de cada puesta en marcha. Además, recomendamos llevar a cabo las siguientes medidas de mantenimiento cada 500 horas de funcionamiento o, si el equipo se utiliza con menos frecuencia, al cabo de un año como máximo. Los defectos causados por un mantenimiento inadecuado pueden limitar la cobertura de la garantía.



## LIMPIEZA (llevada a cabo por el usuario)



**¡ADVERTENCIA!** Antes de realizar cualquier trabajo de mantenimiento, debe desenchufarse la fuente de alimentación y, si es posible, quitar todas las conexiones del equipo.



**¡NOTA!** Un cuidado inadecuado puede deteriorar el equipo e incluso dañarlo irremediablemente.

1. Las superficies de la carcasa deben limpiarse con un paño limpio y húmedo. Asegúrese de que la humedad no pueda penetrar en el equipo.
2. Las entradas y salidas de aire deben limpiarse regularmente para eliminar el polvo y la suciedad. Si se utiliza aire comprimido, hay que tener cuidado para evitar daños en el equipo (por ejemplo, los ventiladores deben bloquearse en este caso, ya que de lo contrario podrían acelerarse en exceso).
3. Los cables y los contactos de los enchufes deben limpiarse regularmente para eliminar el polvo y la suciedad.
4. En general, no deben utilizarse productos de limpieza ni agentes abrasivos, ya que de lo contrario podría dañarse el acabado de la superficie.
5. Por lo general, los equipos deben guardarse en un lugar seco y protegido del polvo y la suciedad.

## MANTENIMIENTO Y REPARACIÓN (solo por personal cualificado)



**¡PELIGRO!** En el interior del equipo hay componentes conductores de tensión. Incluso después de desconectar la alimentación eléctrica, puede haber tensión residual en el equipo, por ejemplo, debido a condensadores cargados.



**¡NOTA!** En el equipo no hay componentes que pueda reparar el usuario.



**¡NOTA!** Los trabajos de mantenimiento y reparación solo pueden ser realizados por personal especializado autorizado por el fabricante. En caso de duda, consulte al fabricante.



**¡NOTA!** Los trabajos de mantenimiento realizados indebidamente pueden invalidar la garantía.

## CARACTERÍSTICAS TÉCNICAS

Referencia	CLUNISENS
Categoría de producto	Accesorio para focos
Tipo	Interfaz de luz ambiental a DMX
Protocolos de control	DMX512, RDM
Conectores de datos	XLR macho y hembra de 5 pines
Interfaz de usuario	Un botón táctil con retroiluminación en color
Tipo de batería	Iones de litio
Capacidad de la batería	3.000 mAh
Tiempo de carga de la batería	8 horas
Autonomía de la batería	> 20 horas
Tensión de carga	5 V
Corriente de carga recomendada	500 mA
Conector eléctrico	USB-C
Temperatura ambiente	-10 °C a +40 °C
Clasificación IP	IP65
Precisión fotométrica	< 5 %
Precisión colorimétrica	< 2 %
UID de RDM	0x08A40600XXXX
Dimensiones	126 × 92 × 43 mm
Peso	0,44 kg
Accesorios incluidos	Cable USB-A a USB-C

## EXPLICACIONES SOBRE LA CLASE DE PROTECCIÓN IP

1. La clase de protección IP representa exclusivamente la protección contra objetos sólidos, así como contra el agua. No representa una resistencia general a la intemperie, como la protección contra la radiación UV y los efectos de la temperatura, etc.
2. El primer número indica la protección contra polvo, objetos sólidos e impactos:

IP2X	Protección contra cuerpos extraños sólidos con un diámetro $\geq 12,5$ mm
IP3X	Protección contra cuerpos extraños sólidos con un diámetro $\geq 2,5$ mm
IP4X	Protección contra cuerpos extraños sólidos con un diámetro $\geq 1,0$ mm
IP5X	Protegido contra el polvo en cantidades perjudiciales y totalmente protegido contra impactos
IP6X	Estanco al polvo y totalmente protegido contra impactos

3. El segundo número indica la protección contra el agua:

IPX0	Sin protección
IPX1	Protección contra gotas de agua
IPX2	Protección contra la caída de gotas de agua cuando el equipo está inclinado hasta 15°
IPX3	Protección contra el agua rociada hasta 60° respecto a la vertical
IPX4	Protección contra las salpicaduras de agua por todos los lados

IPX5	Protección contra chorros de agua a presión desde cualquier ángulo
IPX6	Protección contra chorros de agua a alta presión
IPX7	Protección contra inmersión temporal

4. Además, a veces son necesarias medidas específicas para cada dispositivo, como cubiertas y tapones, para alcanzar la clase de protección indicada (p. ej., tapas protectoras en las conexiones no utilizadas).



La clase de protección IP del producto se encuentra en las características técnicas e impresa en el equipo.

## RECICLAJE



### EMBALAJE:

1. El embalaje puede reciclarse a través de los métodos habituales de eliminación de residuos.
2. Por favor, separe el embalaje de acuerdo con las normas de eliminación de residuos y las normas de reciclaje de su país.



### APARATO:

1. Este aparato está sujeto a la Directiva Europea aplicable a los residuos de aparatos eléctricos y electrónicos, en su versión modificada. Directiva RAEE sobre residuos de aparatos eléctricos y electrónicos. Los aparatos usados no deben eliminarse con la basura doméstica. Los aparatos viejos deben eliminarse a través de un servicio de eliminación de residuos autorizado o de una instalación municipal de eliminación de residuos. Respete la normativa vigente en su país.
2. Respete todas las leyes de eliminación de residuos aplicables en su país.
3. Si es un particular, póngase en contacto con el distribuidor donde adquirió este producto, o con el ayuntamiento, para informarse sobre el reciclaje adecuado de este equipo.

## DECLARACIÓN DEL FABRICANTE

### Garantía del fabricante y limitación de responsabilidad

Adam Hall GmbH, Adam-Hall-Str. 1, D-61267 Neu Anspach /

Correo electrónico: [Info@adamhall.com](mailto:Info@adamhall.com) / +49 (0)6081 / 9419-0

Consulte nuestras condiciones de garantía y limitaciones de responsabilidad en:

[https://cdn-shop.adamhall.com/media/pdf/Manufacturers-Declarations-CAMEO\\_DE\\_EN\\_ES\\_FR.pdf](https://cdn-shop.adamhall.com/media/pdf/Manufacturers-Declarations-CAMEO_DE_EN_ES_FR.pdf)

Para reparaciones, póngase en contacto con su distribuidor.

**Conformidad CE**

Adam Hall GmbH declara por la presente que este producto es conforme con las siguientes directivas (según sea aplicable):

Directiva de baja tensión (2014/35/UE)

Directiva EMC (2014/30/UE)

RoHS (2011/65/UE)

Directiva RED (2014/53/UE)

**Declaración de conformidad CE**

Las declaraciones de conformidad para productos sujetos a las directivas de baja tensión, EMC y RoHS pueden solicitarse a [info@adamhall.com](mailto:info@adamhall.com)

Las declaraciones de conformidad de los productos sujetos a la directiva RED pueden descargarse desde [www.adamhall.com/compliance/](http://www.adamhall.com/compliance/)

**Este documento puede estar sujeto a errores tipográficos o de imprenta, así como a modificaciones técnicas o de otro tipo.**

Gratulujemy dobrego wyboru!

To urządzenie zostało zaprojektowane i wyprodukowane zgodnie z wysokimi standardami jakości, tak by działało bezawaryjnie przez wiele lat. Należy uważnie przeczytać niniejszą instrukcję obsługi, aby móc jak najszybciej rozpocząć prawidłową eksploatację nowego urządzenia marki Cameo Light. Więcej informacji o marce Cameo Light można znaleźć w naszej witrynie **CAMEOLIGHT.COM**

## INFORMACJE DOTYCZĄCE NINIEJSZEJ INSTRUKCJI OBSŁUGI

- Przed uruchomieniem urządzenia należy przeczytać wszystkie zasady bezpieczeństwa oraz całą instrukcję obsługi.
- Należy przestrzegać ostrzeżeń umieszczonych na urządzeniu i w instrukcji obsługi.
- Instrukcję obsługi należy zawsze mieć pod ręką.
- W przypadku sprzedaży lub przekazania urządzenia należy przekazać również niniejszą instrukcję obsługi, ponieważ stanowi ona istotną część produktu.

## UŻYTKOWANIE ZGODNE Z PRZEZNACZENIEM

Produkt jest urządzeniem przeznaczonym dla branży eventowej!

Produkt został opracowany do profesjonalnych zastosowań dziedzinie technologii eventowej i nie nadaje się do użytku domowego!

Co więcej, produkt ten jest przeznaczony wyłącznie dla wykwalifikowanych użytkowników posiadających doświadczenie w obsłudze tymczasowych urządzeń! Sprzęt eventowy jest przeznaczony wyłącznie do użytku tymczasowego i nie jest przewidziany do stałego użytkowania lub instalacji na stałe! Przewidziana technologia eventowa!

Użytkowanie produktu niezgodnie z wyszczególnionymi danymi technicznymi i warunkami eksploatacji uważa się za niezgodne z przeznaczeniem!

Wyłączona jest odpowiedzialność za szkody i obrażenia osób trzecich spowodowane użytkowaniem niezgodnym z przeznaczeniem!

Produkt nie jest przeznaczony dla:

- Osób (w tym dzieci) o ograniczonych możliwościach fizycznych, sensorycznych lub umysłowych, a także osób nie posiadających doświadczenia i wiedzy.
- Dzieci (należy poinstruować dzieci, aby nie bawiły się urządzeniem).

## OBJAŚNIENIA TERMINÓW I SYMBOLI

1. **NIEBEZPIECZEŃSTWO:** Słowo NIEBEZPIECZEŃSTWO, ewentualnie w połączeniu z symbolem, wskazuje na bezpośrednie niebezpieczne sytuacje lub stany zagrożenia dla życia i zdrowia.
2. **OSTRZEŻENIE:** Słowo OSTRZEŻENIE, ewentualnie w połączeniu z symbolem, wskazuje na potencjalnie niebezpieczne sytuacje lub stany zagrażające zdrowiu lub życiu.
3. **PRZESTROGA:** Słowo PRZESTROGA, ewentualnie w połączeniu z symbolem, jest używane do wskazania sytuacji lub warunków, które mogą prowadzić do obrażeń.
4. **UWAGA:** Słowo UWAGA, ewentualnie w połączeniu z symbolem, wskazuje na sytuacje lub stany, które mogą prowadzić do szkód materialnych i/lub środowiskowych.



Ten symbol oznacza zagrożenia, które mogą być przyczyną porażenia prądem elektrycznym.



Ten symbol oznacza niebezpieczne miejsca lub sytuacje.



Ten symbol oznacza niebezpieczeństwa związane z gorącymi powierzchniami.



Ten symbol oznacza niebezpieczeństwa związane z intensywnym źródłem światła.



Ten symbol oznacza urządzenie, w którym nie ma części możliwych do wymiany przez użytkownika.



Ten symbol wskazuje na dodatkowe informacje dotyczące obsługi urządzenia.

## ZASADY BEZPIECZEŃSTWA



### NIEBEZPIECZEŃSTWO:

1. Nie otwierać urządzenia ani nie modyfikować go.
2. Jeśli urządzenie nie działa prawidłowo, do jego wnętrza dostały się przedmioty lub płyny albo zostało ono uszkodzone w inny sposób, należy je natychmiast wyłączyć i odłączyć od źródła napięcia. Urządzenie może być naprawiane wyłącznie przez autoryzowany personel specjalistyczny.
3. W przypadku urządzeń o stopniu ochrony 1 przewód ochronny musi być prawidłowo podłączony. Nigdy nie należy odłączać przewodu ochronnego. Urządzenia o stopniu ochrony 2 nie mają przewodu ochronnego.
4. Należy upewnić się, że przewody pod napięciem nie są zagięte lub w inny sposób uszkodzone mechanicznie.
5. Nigdy nie wolno mostkować bezpiecznika urządzenia.



### OSTRZEŻENIE:

1. Urządzenia nie wolno uruchamiać, gdy jest ono w widoczny sposób uszkodzone.
2. Urządzenie wolno instalować wyłącznie w stanie beznapięciowym.
3. Jeśli kabel sieciowy jest uszkodzony, nie wolno uruchamiać urządzenia.
4. Podłączone na stałe przewody zasilające mogą być wymieniane tylko przez wykwalifikowany personel.



### **UWAGA:**

1. Nie uruchamiać urządzenia, jeśli było ono narażone na duże wahania temperatury (np. po transporcie). Wilgoć i kondensat mogą uszkodzić urządzenie. Należy włączyć urządzenie dopiero wtedy, gdy osiągnie temperaturę otoczenia.
2. Należy upewnić się, że napięcie i częstotliwość sieci zasilającej są zgodne z wartościami podanymi na urządzeniu. Jeżeli urządzenie jest wyposażone w selektor napięcia, nie należy podłączać urządzenia do źródła zasilania, dopóki selektor nie zostanie ustawiony poprawnie. Należy używać tylko odpowiedniego kabla sieciowego.
3. Aby odłączyć urządzenie od sieci na wszystkich biegunach, nie wystarczy nacisnąć włącznika/wyłącznika na urządzeniu.
4. Należy upewnić się, że używany bezpiecznik odpowiada typowi nadrukowanemu na urządzeniu.
5. Należy upewnić się, że podjęto odpowiednie środki zapobiegające przepięciom (np. uderzeniom pioruna).
6. Należy przestrzegać określonego maksymalnego prądu wyjściowego na urządzeniach z połączeniem Power Out. Całkowity pobór prądu wszystkich podłączonych urządzeń nie może przekroczyć zalecanej wartości.
7. Odłączane przewody zasilające należy wymieniać wyłącznie na oryginalne.



### **NIEBEZPIECZEŃSTWO:**

1. Niebezpieczeństwo uduszenia! Worki z tworzywa sztucznego i drobne części należy przechowywać poza zasięgiem osób (łącznie z dziećmi) o ograniczonej sprawności fizycznej, sensorycznej lub umysłowej.
2. Niebezpieczeństwo związane z upadkiem! Należy upewnić się, że urządzenie zostało bezpiecznie zainstalowane i nie może upaść. Należy używać wyłącznie odpowiednich statywów i mocowań (zwłaszcza w przypadku instalacji stałych). Należy upewnić się, że akcesoria są prawidłowo zainstalowane i zabezpieczone. Należy przy tym przestrzegać obowiązujących przepisów dotyczących bezpieczeństwa.



### **OSTRZEŻENIE:**

1. Należy używać urządzenia tylko zgodnie z przeznaczeniem.
2. Należy używać urządzenia wyłącznie z akcesoriami zalecanymi i przewidzianymi przez producenta.
3. Podczas instalacji należy przestrzegać przepisów bezpieczeństwa obowiązujących w Państwie kraju.
4. Po podłączeniu urządzenia należy sprawdzić wszystkie trasy kablowe, aby uniknąć szkód lub wypadków spowodowanych np. przez potknięcie.
5. Należy bezwzględnie przestrzegać podanego minimalnego odstępów od materiałów normalnie palnych! Jeśli nie zostało to wyraźnie określone, minimalny odstęp wynosi 0,3 m.
6. Należy bezwzględnie przestrzegać minimalnej odległości od podświetlanej powierzchni, którą można odczytać na urządzeniu!

**PRZESTROGA:**

1. W przypadku ruchomych elementów, takich jak uchwyty montażowe lub inne ruchome części konstrukcyjne istnieje możliwość zakleszczenia.
2. W przypadku urządzeń z elementami napędzanymi silnikiem istnieje niebezpieczeństwo obrażeń w wyniku ruchów urządzenia. Nagłe ruchy urządzenia mogą wystraszyć użytkownika.

**UWAGA:**

1. Nie należy instalować ani użytkować urządzenia w pobliżu grzejników, akumulatorów ciepła, pieców lub innych źródeł ciepła. Należy upewnić się, że urządzenie zawsze jest instalowane w taki sposób, aby zapewnić wystarczające chłodzenie i nie dopuścić do przegrzania.
2. W pobliżu urządzenia nie wolno umieszczać żadnych źródeł zapłonu, takich jak zapalone świece.
3. Nie wolno zakrywać otworów wentylacyjnych ani blokować wentylatorów.
4. Do transportu należy używać oryginalnych opakowań lub opakowań przewidzianych do tego celu przez producenta.
5. Nie należy narażać urządzenia na wstrząsy ani uderzenia.
6. Należy przestrzegać stopnia ochrony IP oraz warunków otoczenia, takich jak temperatura i wilgotność, zgodnie ze specyfikacją.
7. Urządzenia mogą być stale modernizowane. W przypadku rozbieżności informacji dotyczących warunków pracy, wydajności lub innych właściwości urządzenia w instrukcji obsługi i na oznaczeniu na urządzeniu zawsze pierwszeństwo mają oznaczenia na urządzeniu.
8. Urządzenie nie jest przystosowane do pracy w klimacie tropikalnym ani na wysokości powyżej 2000 m n.p.m.
9. O ile nie określono inaczej, urządzenie nie nadaje się do pracy w warunkach morskich.

**WSKAZÓWKA:**

W przypadku zestawów do przebudowy, doposażenia lub akcesoriów dostarczonych przez producenta należy bezwzględnie przestrzegać dołączonej instrukcji montażu.

**URZĄDZENIA Z AKUMULATOREM, AKUMULATORAMI I ŁADOWARKI - NIEBEZPIECZEŃSTWO:**

1. Urządzenie z akumulatorem należy trzymać z dala od źródeł ciepła i nie narażać go na bezpośrednie działanie promieni słonecznych. Nie należy go kłaść na urządzeniach grzejnych, takich jak kuchenki mikrofalowe, piece i kaloryfery, ani nie wkładać go do środka tych urządzeń. W razie przegrzania akumulator może wybuchnąć. Należy bezwzględnie przestrzegać dopuszczalnych warunków otoczenia i eksploatacji! Można je znaleźć w specyfikacji technicznej.
2. Nie wolno otwierać urządzenia! Nie wolno modyfikować akumulatora ani podejmować prób jego wymiany!





3. Nie wolno uszkodzić ogniw ani akumulatorów. Nie wolno usuwać folii ochronnej ani naklejek. Do akumulatora nie wolno wkładać żadnych przedmiotów. Do akumulatora nie może przedostać się żadna ciecz. Istnieje niebezpieczeństwo pożaru i wybuchu, a także ryzyko innych niebezpiecznych sytuacji (np. odgazowania).
4. W przypadku odkształcenia lub przegrzania urządzenia należy je natychmiast wyłączyć z eksploatacji! W przypadku dalszego używania urządzenia istnieje niebezpieczeństwo pożaru i wybuchu, a także innych niebezpiecznych sytuacji (np. odgazowania).
5. Nie wolno wrzucać urządzenia do ognia! Zagrożenie wybuchem!
6. Należy unikać silnych oddziaływań mechanicznych na urządzenie! Uszkodzenia spowodowane upadkiem, rozbiciem lub przebicciem oraz wysokim ciśnieniem prowadzą do zagrożenia pożarem i wybuchem, a także do innych niebezpiecznych sytuacji (np. odgazowania).
7. Należy ładować urządzenie/akumulator tylko w przewidziany sposób.
8. Należy pamiętać, że funkcja ładowania nie we wszystkich urządzeniach jest wyłączana za pomocą głównego wyłącznika urządzenia.
9. W przypadku urządzeń do ładowania zintegrowanych w skrzyniach transportowych proces ładowania może być przeprowadzany tylko przy otwartej pokrywie.
10. Wycieki są żrące i mogą być toksyczne. Mogą powodować podrażnienia skóry i oczu oraz są niebezpieczne w przypadku połknięcia. Należy unikać jakiegokolwiek kontaktu z wyciekającą cieczą. W przypadku kontaktu z wyciekającą cieczą należy natychmiast przepłukać miejsce kontaktu dużą ilością wody i skontaktować się z lekarzem.



### **ŁADOWANIE, OBSŁUGA I PRZECHOWYWANIE AKUMULATORÓW**

1. Aby naładować zainstalowane na stałe akumulatory, należy podłączyć urządzenie do dostarczonego zasilacza. Należy pamiętać, że funkcja ładowania nie jest wyłączana przez główny wyłącznik urządzenia we wszystkich urządzeniach.
2. Informacje na temat czasu ładowania wymaganego do pełnego naładowania akumulatora znajdują się w danych technicznych. Informacje na temat wyświetlania stanu naładowania akumulatora można znaleźć w rozdziale OBSŁUGA.
3. Urządzenia z akumulatorami litowymi są wyposażone w standardowe zabezpieczenia.
4. Nie należy ładować akumulatora w warunkach otoczenia nieodpowiadających warunkom określonym w danych technicznych. O ile nie podano inaczej, temperatura powinna zawierać się w zakresie od +5°C do +35°C w suchym otoczeniu.
5. Dopuszczalne warunki otoczenia do eksploatacji podane są w danych technicznych. O ile nie podano inaczej, nie wolno przekraczać zakresu temperatur od +5°C do +35°C w suchym otoczeniu.
6. Dopuszczalna temperatura otoczenia podczas przechowywania jest podana w danych technicznych. O ile nie podano inaczej, nie wolno przekraczać zakresu temperatur od +5°C do +35°C w suchym otoczeniu.
7. Po rozładowaniu akumulatora należy go niezwłocznie ponownie całkowicie naładować.



8. Urządzenie należy przechowywać wyłącznie z całkowicie naładowanym akumulatorem. Pojemność i żywotność akumulatora mogą ulec przedwczesnemu skróceniu, jeśli nie jest on w pełni naładowany na czas przechowywania.
9. Jeżeli urządzenie nie będzie używane przez dłuższy czas, należy je całkowicie rozładować i naładować co najmniej raz na 3 miesiące.
10. Podczas przechowywania główny wyłącznik urządzenia musi być wyłączony.
11. Podany czas pracy akumulatora zawsze odnosi się do nowego akumulatora i normalnych warunków użytkowania.
12. Podczas pracy w niskich temperaturach żywotność akumulatora może być krótsza niż podano.
13. Jeżeli czas pracy urządzenia w trybie zasilania akumulatorowego znacząco odbiega od czasu podanego w specyfikacji, należy skontaktować się z przedstawicielem handlowym.



### **UWAGI DOTYCZĄCE PRZENOŚNEGO SPRZĘTU ZEWNĘTRZNEGO**

1. Eksploatacja tymczasowa! Sprzęt do organizacji imprez jest generalnie przeznaczony do eksploatacji tymczasowej.
2. Praca ciągła lub trwałe zamocowanie, szczególnie na zewnątrz, może prowadzić do pogorszenia funkcjonalności, uszkodzenia powierzchni i uszczelnień oraz przyspieszonego zużycia materiału.
3. Uszkodzenia powłoki powierzchniowej mogą zniszczyć ochronę antykorozyjną urządzenia. Uszkodzona powłoka powierzchniowa (np. zadrapania) musi być w krótkim czasie naprawiona za pomocą odpowiednich środków.

## **ZAKRES DOSTAWY**

Należy wyjąć produkt z opakowania i usunąć wszystkie materiały opakowaniowe.

Należy sprawdzić, czy przesyłka jest kompletna i nienaruszona, a w przypadku niekompletności lub uszkodzeń należy natychmiast powiadomić sprzedawcę.

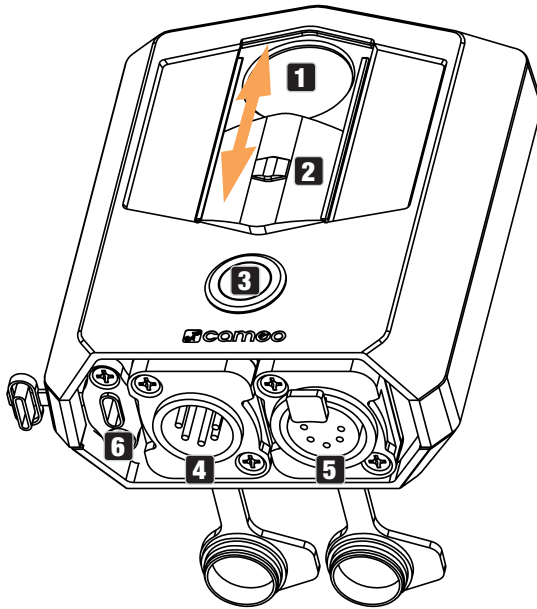
W zakres dostawy wchodzi:

- ▶ 1 × UNISENS Interfejs do transmisji oświetlenia otoczenia do DMX
- ▶ 1 × Kabel USB-A na USB-C
- ▶ Informacje dotyczące bezpieczeństwa i zgodności (instrukcja obsługi do pobrania za pomocą kodu QR)

## **WPROWADZENIE**

Zasilany bateryjnie Cameo UNISENS o stopniu ochrony IP65 to czujnik światła otoczenia, który rejestruje różne parametry oświetlenia i udostępnia je za pośrednictwem DMX. Funkcja DMX Merge umożliwia dowolne wprowadzenie urządzenia do systemu. Obsługa odbywa się za pomocą przycisku z wielokolorowym pierścieniem LED identyfikującym tryb pracy. Konfiguracja odbywa się za pośrednictwem RDM; zalecany jest przy tym firmowy kontroler Cameo UNICON. Kompatybilne reflektory dysponują specjalnym trybem DMX do sterowania za pośrednictwem UNISENS.

## PRZYŁĄCZA, ELEMENTY OBSŁUGI I WSKAŹNIKI



### 1 CZUJNIK ŚWIATŁA

Należy upewnić się, że czujnik jest wolny od kurzu i brudu oraz nie ma zadrapań. Zanieczyszczenia i uszkodzenia pogarszają dokładność pomiaru. W razie potrzeby należy wyczyścić czujnik zwilżoną, miękką ściereczką lub szczoteczką optyczną.

### 2 OSŁONA OCHRONNA

Gdy urządzenie nie jest używane, należy nasunąć pokrywę ochronną na czujnik.

### 3 WŁĄCZNIK/WYŁĄCZNIK (PRZYCIŚK) Z PIERŚCIENIEM WSKAŹNIKA LED

Aby włączyć lub wyłączyć urządzenie, należy nacisnąć i przytrzymać przycisk przez około trzy sekundy.

Pierścień LED wskazuje następujące stany pracy:

<b>Niebieski</b>	=	Tryb ciągły (stały pomiar)
<b>Zielony</b>	=	Pomiar jednorazowy (pomiar po naciśnięciu przycisku)
<b>Magenta</b>	=	Tryb ciągły (pomiar ciągły) i ładowanie akumulatora
<b>Żółty</b>	=	Pomiar One Shot (pomiar po naciśnięciu przycisku) i ładowanie akumulatora
<b>Czerwony</b>	=	Urządzenie wyłączone, bateria jest ładowana (pierścień LED wyłączony)
<b>Czorn</b>	=	bateria w pełni naładowana, należy odłączyć ładowarkę)

Przełączanie trybu: Dwukrotne kliknięcie

**4 DMX IN**

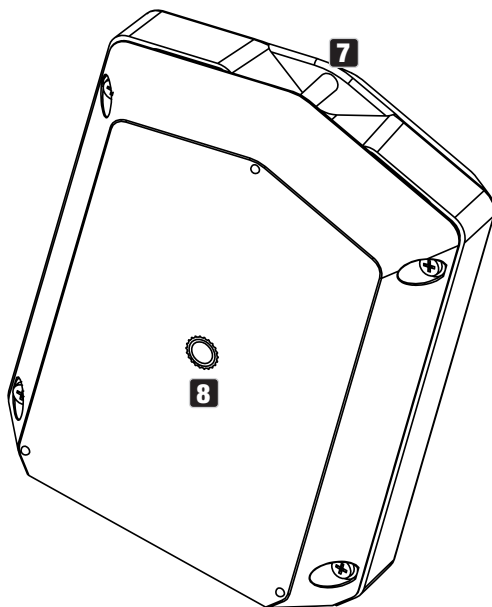
Męskie 5-stykowe gniazdo XLR IP65 do podłączenia urządzenia sterującego RDM/DMX, takiego jak Cameo UNICON (należy zawsze zamykać gumową zaślepką, gdy nie jest używane).

**5 DMX OUT**

Żeńskie IP65 5-pinowe gniazdo XLR do wyprowadzania sygnału sterującego DMX (należy zawsze zamykać gumową zaślepką, gdy nie jest używane).

**6 GNIAZDO DO ŁADOWANIA USB-C**

Gniazdo do ładowania wewnętrznego akumulatora. W tym celu można użyć dostępnych na rynku ładowarek 5 V z wtyczkami USB-C (stan ładowania można odczytać w Cameo UNICON).

**7 OCZKO DO ZAWIESZANIA**

Oczko do mocowania pętli do noszenia.

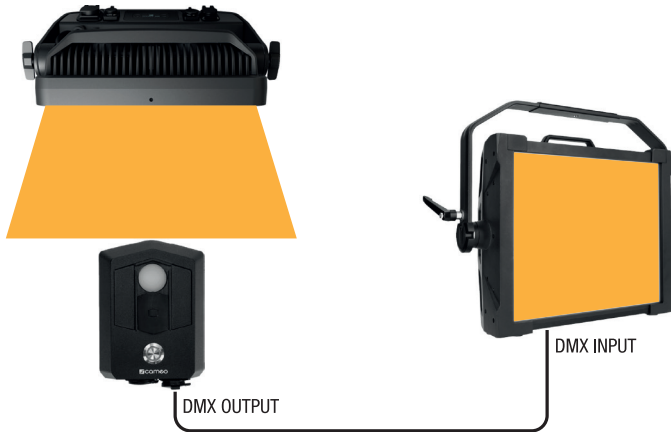
**8 GWINTY DO STATYWU**

Należy użyć gwintu 1/4 cala, aby zamontować urządzenie na odpowiednim statywie (np. statywie kamery).

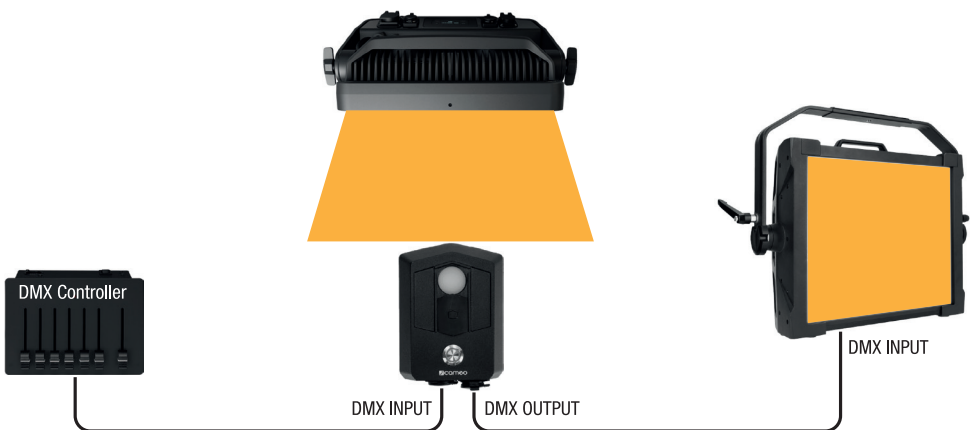
## PRZYKŁADY ZASTOSOWANIA

Należy skierować czujnik UNISENS bezpośrednio na źródło światła, które ma być mierzone podczas procesu pomiaru.

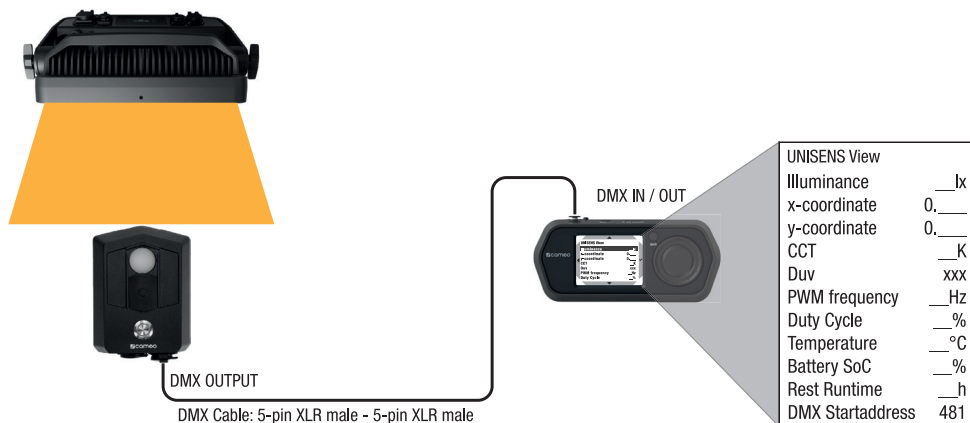
1. UNISENS mierzy barwę światła, a reflektor odtwarza zmierzoną barwę światła. Jasność jest ustawiana ręcznie na reflektorze.



2. UNISENS mierzy barwę światła, a reflektor odtwarza zmierzoną barwę światła. Jasność jest ustawiana za pomocą sterownika DMX.



3. UNISENS mierzy źródło światła, UNICON wyświetla zmierzone wartości (w menu głównym UNICON należy wybrać i potwierdzić UNISENS View. Należy zawsze aktualizować oprogramowanie sprzętowe UNICON). Adres początkowy DMX urządzenia UNISENS jest domyślnie ustawiony na 481, aby dane pomiarowe źródła światła były wyświetlane w UNICON. Adres startowy DMX można jednak indywidualnie dostosować (patrz punkt 4).



4. Zmiana adresu startowego DMX i trybu pracy UNISENS za pomocą UNICON (MENU -> RDM/ Fixture -> DMX Address lub DMX Mode).



## CZYSZCZENIE, KONSERWACJA I NAPRAWY

Aby zapewnić bezawaryjne działanie urządzenia przez długi czas, należy je regularnie czyścić i w razie potrzeby serwisować. Konieczność czyszczenia lub konserwacji zależy od intensywności użytkowania i rodzaju otoczenia.

Generalnie zalecamy kontrolę wzrokową przed każdym uruchomieniem. Ponadto zalecamy przeprowadzanie wszystkich wymienionych poniżej i odpowiednich czynności konserwacyjnych co 500 godzin pracy lub – w przypadku mniejszej intensywności użytkowania — najpóźniej po upływie jednego roku. W przypadku usterek spowodowanych niedostateczną konserwacją może dojść do ograniczenia roszczeń gwarancyjnych.

## CZYSZCZENIE (wykonywane przez użytkownika)



**UWAGA!** Przed rozpoczęciem wszelkich prac związanych z czyszczeniem należy odłączyć zasilanie i w miarę możliwości wszystkie połączenia.



**WSKAZÓWKA!** Niewłaściwe czyszczenie może doprowadzić do uszkodzenia urządzenia, a nawet jego zniszczenia.

1. Powierzchnie obudowy należy czyścić czystą wilgotną ściereczką. Należy przy tym uważać, aby do urządzenia nie dostała się wilgoć.
2. Otwory wlotowe i wylotowe powietrza muszą być regularnie czyszczone z pyłu i brudu. W przypadku zastosowania sprężonego powietrza należy uważać, aby nie uszkodzić urządzenia (np. wentylatory muszą być zablokowane, w przeciwnym razie mogą uzyskać nadmierną prędkość obrotową).
3. Przewody i styki wtykowe należy regularnie czyścić i usuwać z nich pył i zabrudzenia.
4. Do pielęgnacji nie wolno stosować środków czyszczących ani środków o działaniu ściernym, w przeciwnym razie może dojść do pogorszenia jakości powierzchni.
5. Urządzenia należy przechowywać w suchym miejscu oraz chronić je przed kurzem i brudem.

## KONSERWACJA I NAPRAWA (tylko przez wykwalifikowany personel)



**NIEBEZPIECZEŃSTWO!** W urządzeniu znajdują się elementy będące pod napięciem. Nawet po odłączeniu od sieci w urządzeniu może jeszcze występować napięcie resztkowe, np. z powodu naładowanych kondensatorów.



**WSKAZÓWKA!** W urządzeniu nie ma żadnych części, które mogą być serwisowane przez użytkownika.



**WSKAZÓWKA!** Prace konserwacyjne i naprawcze mogą być wykonywane wyłącznie przez wyspecjalizowany personel upoważniony przez producenta. W razie wątpliwości należy skontaktować się z producentem.



**WSKAZÓWKA!** Nieprawidłowo wykonane czynności konserwacyjne mogą spowodować utratę gwarancji.

## DANE TECHNICZNE

Numer artykułu	GLUNISENS
Kategoria produktu	Akcesoria do reflektorów
Typ	Interfejs do transmisji oświetlenia otoczenia do DMX
Protokoły kontroli	DMX512; RDM
Połączenia transmisji danych	XLR 5-pinowy męski i żeński
Interfejs użytkownika	Jeden dotykowy przycisk z kolorowym podświetleniem
Typ baterii	Akumulator litowo-jonowy
Pojemność akumulatora	3000 mAh
Czas ładowania akumulatora	8 h
Czas pracy baterii	>20 h
Napięcie ładowania	5 V
Zalecany prąd ładowania	500 mA
Podłączenie zasilania	USB-C
Znamionowa temperatura otoczenia	-10° – 40° C
Stopień ochrony IP	IP65
Dokładność fotometryczna	<5%
Dokładność kolorymetryczna	<2%
RDM UID	0x08A40600XXXX
Wymiary	126 x 92 x 43 mm
Waga	0,44 kg
Dołączone akcesoria	Kabel USB-A do USB-C

## OBJAŚNIENIA DOTYCZĄCE STOPNIA OCHRONY IP

1. Stopień ochrony IP zapewnia ochronę wyłącznie przed ciałami stałymi i wodą. Nie określa ogólnej odporności na działanie czynników atmosferycznych, takich jak ochrona przed promieniowaniem UV i wpływami temperatury itp.
2. Pierwsza cyfra oznacza ochronę przed pyłem, ciałami stałymi i bezpośrednim kontaktem:

IP2X	Ochrona przed stałymi ciałami obcymi o średnicy $\geq 12,5$ mm
IP3X	Ochrona przed stałymi ciałami obcymi o średnicy $\geq 2,5$ mm
IP4X	Ochrona przed stałymi ciałami obcymi o średnicy $\geq 1,0$ mm
IP5X	Ochrona przed pyłem w szkodliwych ilościach i pełna ochrona przed kontaktem
IP6X	Pyłoszczelność i całkowite zabezpieczenie przed kontaktem

3. Druga cyfra oznacza ochronę przed wodą:

IPX0	Brak ochrony
IPX1	Ochrona przed kroplami wody
IPX2	Ochrona przed kroplami wody padającymi na obudowę pod kątem 15°
IPX3	Ochrona przed kroplami padającymi pod kątem 60° od pionu



IPX4	Ochrona przed bryzgami wody padającymi ze wszystkich stron
IPX5	Ochrona przed strumieniem wody z dowolnego kierunku
IPX6	Ochrona przed silnym strumieniem wody
IPX7	Ochrona przed chwilowym zanurzeniem

4. Ponadto do osiągnięcia określonego stopnia ochrony obudowy konieczne są częściowo specyficzne dla urządzenia środki, takie jak osłony i zatyczki (np. kołpaki ochronne na nieużywanych przyłączach).



Stopień ochrony IP produktu można znaleźć w danych technicznych oraz na nadruku na urządzeniu.

## UTYLIZACJA



### OPAKOWANIE:

1. Opakowania można oddać do recyklingu, wykorzystując zwykłe drogi utylizacji.
2. Opakowanie należy segregować zgodnie z obowiązującymi w danym kraju przepisami dotyczącymi utylizacji.



### URZĄDZENIE:

1. Urządzenie to podlega europejskiej dyrektywie w sprawie zużytego sprzętu elektrycznego i elektronicznego (WEEE) z późniejszymi zmianami. Dyrektywa WEEE (w sprawie zużytego sprzętu elektrycznego i elektronicznego). Nie należy wyrzucać zużytych urządzeń wraz z odpadami z gospodarstwa domowego. Zużyte urządzenie należy zutylizować w autoryzowanym zakładzie utylizacji odpadów lub komunalnym zakładzie utylizacji odpadów. Należy przestrzegać przepisów obowiązujących w danym kraju!
2. Należy przestrzegać wszystkich przepisów dotyczących usuwania odpadów obowiązujących w kraju użytkownika.
3. Klient prywatny otrzyma informacje na temat przyjaznych dla środowiska sposobów utylizacji od sprzedawcy, u którego zakupił produkt lub od właściwych władz lokalnych.

## OŚWIADCZENIA PRODUCENTA

### Gwarancja producenta i ograniczenie odpowiedzialności

Adam Hall GmbH, Adam-Hall-Str. 1, D-61267 Neu Anspach /

E-Mail [Info@adamhall.com](mailto:Info@adamhall.com) / +49 (0)6081 / 9419-0

Nasze aktualne warunki gwarancji oraz informację o ograniczeniu odpowiedzialności można znaleźć na stronie internetowej:

[https://cdn-shop.adamhall.com/media/pdf/Manufacturers-Declarations-CAMEO\\_DE\\_EN\\_ES\\_FR.pdf](https://cdn-shop.adamhall.com/media/pdf/Manufacturers-Declarations-CAMEO_DE_EN_ES_FR.pdf)

W sprawie serwisu należy skontaktować się ze sprzedawcą.

### **Zgodność CE**

Adam Hall GmbH oświadcza niniejszym, że produkt spełnia wymogi następujących dyrektyw (o ile dotyczy):

Dyrektywa niskonapięciowa (2014/35/UE)

Dyrektywa EMC (2014/30/UE)

RoHS (2011/65/UE)

RED (2014/53/UE)

### **Deklaracja zgodności UE**

Deklaracje zgodności dla produktów podlegających dyrektywom LVD, EMC i RoHS można uzyskać pod adresem [info@adamhall.com](mailto:info@adamhall.com)

Deklaracje zgodności dla produktów podlegających dyrektywie RED można pobrać ze strony [www.adamhall.com/compliance/](http://www.adamhall.com/compliance/)

**Błędy w druku i pomyłki oraz zmiany techniczne zastrzeżone!**

Ottima scelta!

Questo dispositivo è stato sviluppato e prodotto in conformità con elevati standard qualitativi che ne garantiscono il regolare funzionamento per molti anni. Leggere attentamente questo manuale d'istruzioni per utilizzare subito al meglio il nuovo prodotto Cameo Light. Per maggiori informazioni su Cameo Light, consultare il nostro sito web **CAMEOLIGHT.COM**

## INFORMAZIONI SU QUESTO MANUALE D'ISTRUZIONI

- Prima di mettere in funzione il dispositivo, leggere attentamente le indicazioni sulla sicurezza e tutto il manuale di istruzioni.
- Rispettare le avvertenze riportate sul dispositivo e nel manuale d'istruzioni.
- Tenere sempre a portata di mano il manuale d'istruzioni.
- Se si vende o si cede il dispositivo, aver cura di consegnare anche questo manuale d'istruzioni, che è parte essenziale del prodotto.

## USO CONFORME

Questo prodotto è un dispositivo per la tecnologia per eventi.

È stato sviluppato per l'uso professionale nell'ambito della tecnologia per eventi e non è adatto per l'illuminazione domestica.

Questo prodotto inoltre deve essere utilizzato esclusivamente da utenti qualificati e con conoscenze specialistiche nell'ambito dell'utilizzo temporaneo. Le attrezzature per eventi sono concepite esclusivamente per un uso provvisorio, non per uso continuato e installazioni fisse. Da utilizzare nella tecnologia per eventi.

Utilizzare il prodotto senza rispettare le condizioni di esercizio e i dati tecnici specificati si considera non conforme all'uso previsto.

Si esclude qualsiasi responsabilità per lesioni a persone e danni a cose causati da uso non conforme.

Il prodotto non è adatto a:

- Persone (compresi i bambini) con capacità fisiche, sensoriali o psichiche ridotte o non provviste delle necessarie conoscenze ed esperienze.
- Bambini (ai bambini deve essere insegnato a non giocare con il dispositivo).

## SPIEGAZIONE DI TERMINI E SIMBOLI

1. **PERICOLO:** la parola PERICOLO, eventualmente abbinata a un simbolo, indica situazioni o condizioni immediatamente pericolose per l'incolumità.
2. **AVVERTENZA:** la parola AVVERTENZA, eventualmente abbinata a un simbolo, indica situazioni o condizioni potenzialmente pericolose per l'incolumità.
3. **CAUTELA:** la parola CAUTELA, eventualmente abbinata a un simbolo, indica situazioni o condizioni che possono provocare lesioni.
4. **ATTENZIONE:** la parola ATTENZIONE, eventualmente abbinata a un simbolo, indica situazioni o condizioni che possono provocare danni alle cose e/o all'ambiente.



Questo simbolo indica pericoli che possono causare scosse elettriche.



Questo simbolo indica punti di pericolo o situazioni pericolose.



Questo simbolo indica pericoli dovuti a superfici calde.



Questo simbolo indica pericoli dovuti a sorgenti luminose intense.



Questo simbolo indica un dispositivo che non contiene parti sostituibili dall'utente.



Questo simbolo indica informazioni complementari sull'utilizzo del prodotto.

## INDICAZIONI SULLA SICUREZZA



### PERICOLO

1. Non aprire né modificare il dispositivo.
2. Se il dispositivo non funzionasse più correttamente, vi fossero caduti sopra dei liquidi o degli oggetti, o se fosse stato danneggiato in altro modo, spegnerlo immediatamente e staccarlo dall'alimentazione elettrica. La riparazione del dispositivo deve essere affidata esclusivamente a personale qualificato autorizzato.
3. Nei dispositivi con classe di protezione 1, il conduttore di protezione deve essere collegato correttamente. Non disattivare mai il conduttore di protezione. I dispositivi con classe di protezione 2 non hanno il conduttore di protezione.
4. Assicurarsi che i cavi sotto tensione non siano piegati o riportino altri danni di tipo meccanico.
5. Non bypassare mai il fusibile del dispositivo.



### AVVERTENZA

1. Il dispositivo non deve essere messo in funzione se presenta danni evidenti.
2. Il dispositivo deve essere installato solo in assenza di tensione.
3. Il dispositivo non deve essere messo in funzione se il cavo di alimentazione è danneggiato.
4. I cavi di alimentazione fissi devono essere sostituiti solo da personale qualificato.



### **ATTENZIONE**

1. Non mettere in funzione il dispositivo se ha subito forti sbalzi di temperatura (per esempio dopo il trasporto). Umidità e condensa potrebbero danneggiare il dispositivo. Accendere il dispositivo solo dopo che ha raggiunto la temperatura ambiente.
2. Verificare che la tensione e la frequenza della rete elettrica corrispondano ai valori indicati sul dispositivo. Se il dispositivo è dotato di selettore di tensione, collegare il dispositivo solo dopo aver impostato il selettore correttamente. Utilizzare esclusivamente cavi di alimentazione adatti.
3. Per scollegare dalla rete elettrica tutti i poli del dispositivo, non è sufficiente premere l'interruttore di accensione/spengimento del dispositivo.
4. Assicurarsi che il fusibile utilizzato corrisponda al tipo stampato sul dispositivo.
5. Accertarsi che siano state adottate misure adeguate contro la sovratensione (per es. fulmini).
6. Rispettare la corrente di uscita massima indicata sui dispositivi con collegamento Power Out. Assicurarsi che la potenza assorbita complessivamente da tutti i dispositivi collegati non superi il valore indicato.
7. Sostituire i cavi di alimentazione a innesto esclusivamente con cavi originali.



### **PERICOLO**

1. Pericolo di soffocamento! I sacchetti di plastica e i componenti minuti devono essere tenuti fuori dalla portata delle persone (inclusi i bambini) con limitate capacità fisiche, sensoriali o mentali.
2. Pericolo di caduta! Verificare che il dispositivo sia installato in modo stabile e non possa cadere. Utilizzare esclusivamente stativi e dispositivi di fissaggio adatti (in particolare nel caso di impianti fissi). Assicurarsi che gli accessori siano installati e fissati correttamente. Aver cura di rispettare le disposizioni di sicurezza in vigore.



### **AVVERTENZA**

1. Utilizzare il dispositivo unicamente nelle modalità previste.
2. Azionare il dispositivo esclusivamente con gli accessori appositamente consigliati e previsti dal produttore.
3. Durante l'installazione, osservare le normative sulla sicurezza in vigore nel proprio Paese.
4. Una volta collegato il dispositivo, verificare tutti i cavi per evitare danni o incidenti, ad esempio per inciampo.
5. Rispettare assolutamente la distanza minima indicata per i materiali normalmente infiammabili! Salvo diversa ed esplicita indicazione, la distanza minima è 0,3 m.
6. È essenziale rispettare la distanza minima dalla superficie illuminata che può essere letta dal dispositivo.

**CAUTELA**

1. I componenti mobili, come le staffe di montaggio o componenti mobili di altro tipo, comportano il rischio di schiacciamento.
2. Nei dispositivi con componenti azionati a motore sussiste il pericolo di lesioni provocate dal movimento del dispositivo stesso. Movimenti improvvisi del dispositivo possono causare reazioni da shock.

**ATTENZIONE**

1. Non installare né azionare il dispositivo in prossimità di radiatori, accumulatori termici, stufe o altre fonti di calore. Accertarsi che il dispositivo sia sempre installato in modo che venga raffreddato a sufficienza e non possa surriscaldarsi.
2. Non posizionare fonti di accensione, come candele accese, in prossimità del dispositivo.
3. Le fessure di ventilazione non devono essere coperte e le ventole non devono essere bloccate.
4. Per il trasporto utilizzare l'imballaggio originale o imballaggi previsti dal produttore.
5. Non sottoporre il dispositivo a urti o scossoni.
6. Rispettare la classe di protezione IP e le condizioni ambientali, come la temperatura e l'umidità dell'aria, secondo la specifica.
7. I dispositivi possono essere continuamente perfezionati. Se le indicazioni relative alle condizioni di funzionamento, alle prestazioni, o ad altre caratteristiche del dispositivo riportate nel manuale di istruzioni differiscono da quelle apposte sul dispositivo, hanno sempre priorità quelle sul dispositivo.
8. Il dispositivo non è adatto a climi tropicali né all'utilizzo a oltre 2000 m sul livello del mare.
9. Salvo diversa indicazione esplicita, il dispositivo non è idoneo all'utilizzo in ambiente marino.

**NOTA**

Nel caso di set di conversione o retrofit, oppure di accessori forniti dal produttore, seguire sempre il manuale di istruzioni accluso.

**DISPOSITIVI CON BATTERIA RICARICABILE, BATTERIE RICARICABILI E CARICABATTERIE. PERICOLO:**

1. Tenere il dispositivo con la batteria ricaricabile lontano da fonti di calore e non esporlo alla luce solare diretta. Non collocarlo vicino o sopra apparecchiature da riscaldamento, come forni a microonde, stufe o termosifoni. Le batterie surriscaldate possono esplodere. Rispettare scrupolosamente le condizioni ambientali e d'esercizio ammesse. Tali condizioni sono riportate nelle specifiche tecniche.
2. Non aprire il dispositivo! Non modificare la batteria e non cercare di sostituire le celle della batteria.



3. Non danneggiare le celle e i pacchi della batteria. Non rimuovere pellicole di protezione e adesivi. Non inserire corpi estranei nella batteria. Evitare che penetrino liquidi nella batteria. Sussistono pericoli di incendio, esplosione e altre situazioni pericolose (per es. fuoriuscita di gas).
4. Spegnerne immediatamente il dispositivo se si deforma o si surriscalda. Continuare a utilizzare il dispositivo in queste condizioni può provocare pericoli di incendio, esplosione e altre situazioni pericolose (per es. fuoriuscita di gas).
5. Non gettare il dispositivo nel fuoco. Pericolo di esplosione!
6. Evitare forti impatti meccanici sul dispositivo! Danni dovuti a caduta, rottura, perforazione o pressione elevata possono provocare pericolo di incendio, esplosione e altre situazioni pericolose (per es. fuoriuscita di gas).
7. Caricare il dispositivo o la batteria unicamente nella modalità prevista.
8. Tenere presente che la funzione di ricarica non si disattiva dall'interruttore principale in tutti i dispositivi.
9. Nel caso di apparecchiature di ricarica contenute in apposite valigie, la ricarica può essere effettuata solo tenendo il coperchio aperto.
10. Il liquido che fuoriesce è corrosivo e può essere tossico. Può causare irritazioni alla pelle e agli occhi ed è pericoloso se ingerito. Evitare qualsiasi contatto con l'eventuale liquido fuoriuscito. In caso di contatto con liquido fuoriuscito, lavare immediatamente con abbondante acqua e consultare un medico.



#### **RICARICA, UTILIZZO E STOCCAGGIO DELLE BATTERIE**

1. Per ricaricare le batterie fisse, collegare il dispositivo all'alimentazione elettrica prevista. Tenere presente che la funzione di ricarica non si disattiva dall'interruttore principale in tutti i dispositivi.
2. Il tempo di ricarica necessario per caricare completamente la batteria è indicato nei dati tecnici. Le informazioni relative all'indicazione dello stato di carica della batteria sono riportate nella sezione UTILIZZO.
3. I dispositivi con batterie al litio sono dotati dei consueti dispositivi di protezione.
4. Non caricare la batteria in condizioni ambientali diverse da quelle specificate nei dati tecnici. Se non diversamente specificato, tali condizioni sono comprese tra +5 °C e +35 °C in ambiente asciutto.
5. Le condizioni ambientali ammesse per l'utilizzo sono riportate nei dati tecnici. Salvo diversa indicazione, la temperatura non deve scendere oltre i +5 °C o superare i +35 °C in ambiente asciutto.
6. La temperatura ambiente ammessa per lo stoccaggio è riportata nei dati tecnici. Salvo diversa indicazione, la temperatura non deve scendere oltre i +5 °C o superare i +35 °C in ambiente asciutto.
7. Ricaricare completamente la batteria il prima possibile quando si scarica.
8. Stoccare il dispositivo solo con la batteria completamente carica. Le batterie non completamente cariche possono perdere precocemente capacità e durata.
9. Se il dispositivo non viene utilizzato per un lungo periodo, eseguire un ciclo completo di scarica e ricarica al massimo ogni 3 mesi.
10. Durante lo stoccaggio, l'interruttore principale del dispositivo deve rimanere spento.



11. I tempi di autonomia della batteria indicati si riferiscono sempre a una batteria nuova e a condizioni di utilizzo normali.
12. In caso di utilizzo in ambiente freddo, la durata della batteria potrebbe essere inferiore a quella indicata.
13. Se il tempo di utilizzo del dispositivo in modalità batteria si discosta significativamente dalle specifiche, rivolgersi al proprio distributore di fiducia.



### **AVVERTENZE PER DISPOSITIVI PORTATILI PER ESTERNI**

1. Utilizzo temporaneo! Le attrezzature per eventi sono concepite esclusivamente per un uso provvisorio.
2. L'uso continuo o l'installazione permanente, in particolare in esterni, può pregiudicare il funzionamento, le superfici e le guarnizioni e accelerare la fatica del materiale.
3. Eventuali danni al rivestimento delle superfici possono compromettere la protezione anticorrosione del dispositivo. Un rivestimento superficiale danneggiato (per esempio da graffi) deve essere prontamente ripristinato con misure adeguate.

### **DOTAZIONE**

Estrarre il prodotto dalla confezione e rimuovere tutto il materiale di imballaggio.

Verificare la completezza e l'integrità della consegna e informare il proprio distributore di fiducia immediatamente dopo l'acquisto in caso di consegna incompleta o danneggiata.

In dotazione con il prodotto viene fornito:

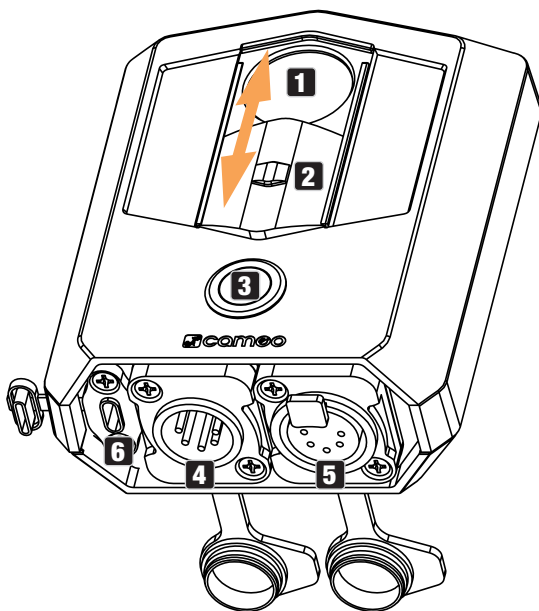
- ▶ 1 × Interfaccia UNISENS per luce ambientale a DMX
- ▶ 1 × Cavo da USB-A a USB-C
- ▶ Informazioni su conformità e sicurezza (manuale di istruzioni scaricabile con codice QR)

### **INTRODUZIONE**

Il Cameo UNISENS a batteria con classe di protezione IP65 è un sensore di luce ambientale che registra vari parametri di illuminazione e li rende disponibili tramite DMX. La funzione "Merge" (fusione) DMX consente di integrare il dispositivo a piacere in un sistema. Si aziona tramite un pulsante con anello LED multicolore che permette di identificare la modalità operativa. La configurazione si effettua tramite RDM. Consigliamo di utilizzare il nostro controller Cameo UNICON. I fari compatibili dispongono di una speciale modalità DMX per il controllo tramite UNISENS.



## CONNESSIONI, ELEMENTI DI COMANDO E INDICATORI



### 1 SENSORE DI LUCE

Verificare che sul sensore non ci siano polvere e sporcizia e che non abbia graffi. Sporco e danni compromettono la precisione di misurazione. Se necessario, pulire il sensore con un panno morbido inumidito o un apposito pennellino.

### 2 COPERCHIO DI PROTEZIONE

Far scorrere il coperchio protettivo sul sensore quando non si utilizza il dispositivo.

### 3 INTERRUTTORE DI ACCENSIONE/SPEGNIMENTO (PULSANTE) CON ANELLO INDICATORE A LED

Per accendere o spegnere il dispositivo, premere il pulsante circa tre secondi.

L'anello LED indica i seguenti stati operativi:

- Blu** = Modalità continua (misurazione permanente)
- Verde** = Misurazione "one shot" (misurazione eseguita con la semplice pressione di un tasto)
- Magenta** = Modalità continua (misurazione permanente) e batteria in carica
- Giallo** = Misurazione "one shot" (misurazione con la semplice pressione di un pulsante) e batteria in carica
- Rosso** = Dispositivo spento, batteria in carica (anello LED spento = batteria completamente carica, staccare il caricabatterie)

Per cambiare modalità, fare doppio clic

**4 DMX IN**

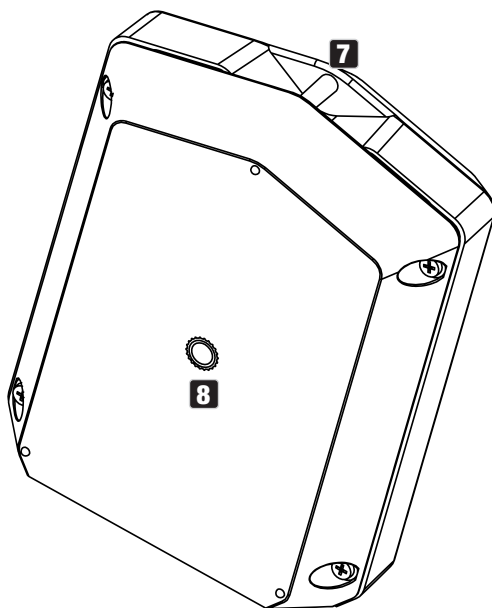
Pres a XLR a 5 poli maschio IP65 per il collegamento di un dispositivo di comando RDM/DMX, per esempio il Cameo UNICON. Chiudere sempre con il tappo ermetico in gomma quando non si usa.

**5 DMX OUT**

Pres a XLR a 5 poli femmina IP65 per l'emissione del segnale di controllo DMX. Chiudere sempre con il tappo ermetico in gomma quando non si usa.

**6 PRESA DI RICARICA USB-C**

Pres a per ricaricare la batteria interna. Si possono utilizzare caricabatterie da 5 V con spina USB-C disponibili in commercio (lo stato di carica è visibile in Cameo UNICON).

**7 OCCHIELLO DI SOSPENSIONE**

Occhiello per cinghia di trasporto.

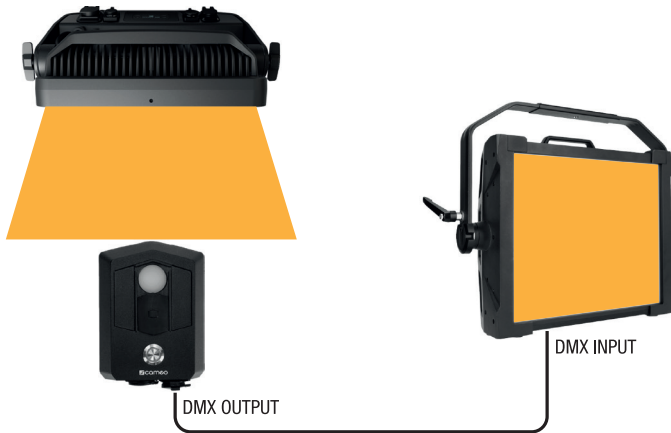
**8 FILETTATURA STATIVO**

Utilizzare la filettatura da 1/4" per montare il dispositivo su uno stativo adatto (come uno stativo per fotocamera).

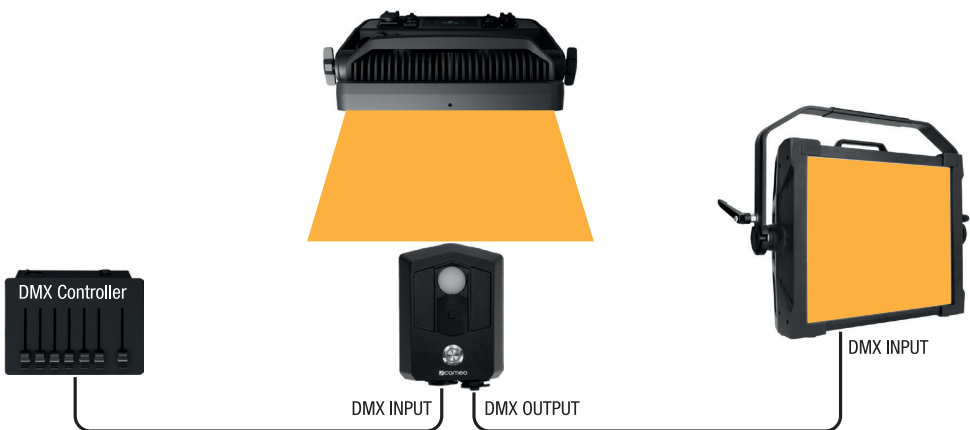
## ESEMPI DI UTILIZZO

Nel processo di misurazione, puntare il sensore dell'UNISENS direttamente sulla sorgente luminosa da misurare.

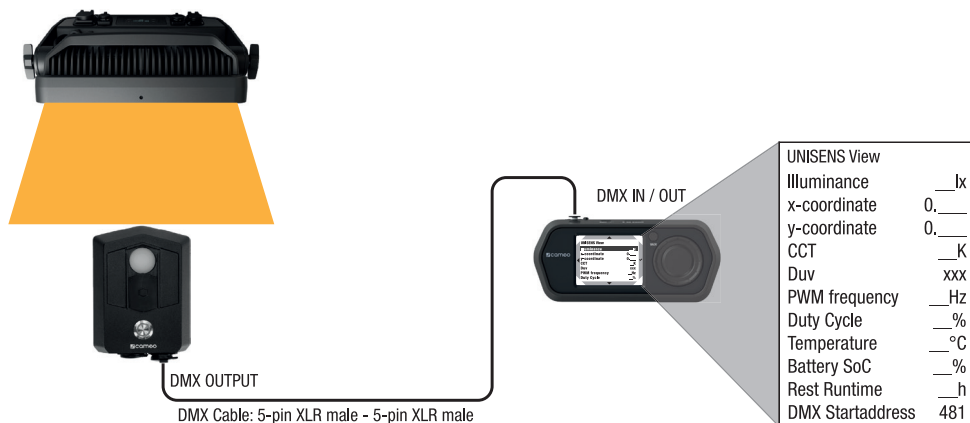
1. UNISENS misura il colore della luce e il faro riproduce il colore della luce misurato. La luminosità si imposta manualmente sul faro.



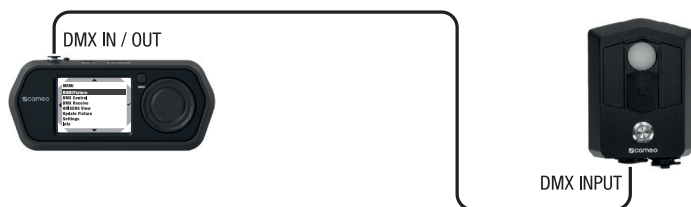
2. UNISENS misura il colore della luce e il faro riproduce il colore della luce misurato. La luminosità si imposta mediante il controller DMX.



3. UNISENS misura la sorgente luminosa e UNICON mostra i valori misurati (nel menu principale dell'UNICON, selezionare e confermare UNISENS View. Mantenere sempre aggiornato il firmware UNICON). L'indirizzo di avvio DMX dell'UNISENS è impostato per default su 481, in modo che i dati di misurazione della sorgente luminosa vengano visualizzati nell'UNICON. L'indirizzo di avvio DMX, tuttavia, può essere personalizzato (v. punto 4).



4. Modificare l'indirizzo di avvio DMX e la modalità operativa dell'UNISENS mediante l'UNICON (MENU -> RDM/Fixture -> DMX Address o DMX Mode).



## CURA, MANUTENZIONE E RIPARAZIONE

Per garantire il corretto funzionamento del dispositivo nel tempo, è necessario sottoporlo a una pulizia regolare e, se necessario, a manutenzione. La necessità di cura e manutenzione dipende dall'intensità e dall'ambiente di utilizzo.

In generale si consiglia di effettuare un'ispezione visiva prima di ogni utilizzo. Si consiglia inoltre di eseguire tutti gli interventi di pulizia applicabili menzionati di seguito ogni 500 ore di funzionamento o, in caso di minore intensità di utilizzo, al più tardi dopo un anno. I difetti causati da cura insufficiente possono comportare la limitazione dei diritti di garanzia.

## CURA (effettuabile dall'utente)



**AVVERTENZA!** Prima di qualsiasi intervento di cura, staccare l'alimentazione elettrica e, se possibile, tutti i collegamenti del dispositivo.



**NOTA:** Una cura inadeguata può danneggiare il dispositivo, causando anche danni irreparabili.

1. Le superfici dell'alloggiamento devono essere pulite con un panno umido pulito. Aver cura che all'interno del dispositivo non penetri umidità.
2. Le aperture di ingresso e uscita dell'aria devono essere pulite regolarmente, rimuovendo polvere e sporcizia. Se si utilizza aria compressa, prestare la massima cura per non danneggiare il dispositivo (in questo caso, per esempio, le ventole devono essere bloccate per evitare che vadano in sovravelocità).
3. I cavi e i contatti elettrici devono essere puliti regolarmente, rimuovendo polvere e sporcizia.
4. In generale per la pulizia non devono essere utilizzati detersivi o sostanze con effetto abrasivo; in caso contrario la qualità della superficie potrebbe essere compromessa.
5. In generale, i dispositivi devono essere conservati in un luogo asciutto e protetti da polvere e sporcizia.

## MANUTENZIONE E RIPARAZIONE (solo da parte di personale specializzato)



**PERICOLO!** Il dispositivo contiene componenti sotto tensione. Anche dopo la disconnessione dalla rete elettrica, nel dispositivo può permanere della tensione residua, per esempio a causa di condensatori carichi.



**NOTA:** il dispositivo non contiene assiemi che richiedono manutenzione da parte dell'utente.



**NOTA:** Gli interventi di manutenzione e riparazione devono essere eseguiti esclusivamente da personale tecnico autorizzato dal produttore. In caso di dubbi rivolgersi al produttore.



**NOTA:** Gli interventi di manutenzione non eseguiti correttamente possono invalidare la garanzia.

## DATI TECNICI

Codice articolo	CLUNISENS
Categoria di prodotto	Accessorio per faretto
Tipo	Interfaccia da luce ambientale a DMX
Protocolli di controllo	DMX512, RDM
Connessioni dati	XLR maschio e femmina a 5 poli
Interfaccia utente	Un pulsante tattile con retroilluminazione colorata
Tipo di batteria	Batteria agli ioni di litio
Capacità batteria	3000 mAh
Tempo di ricarica della batteria	8 h
Durata della batteria	> 20 h
Tensione di carica	5 V
Corrente di carica consigliata	500 mA
Collegamento elettrico	USB-C
Temperatura ambiente nominale	da -10 °C a +40 °C
Classificazione IP	IP65
Precisione fotometrica	< 5%
Precisione colorimetrica	< 2%
RDM UID	0x08A40600XXXX
Ingombro	126 × 92 × 43 mm
Peso	0,44 kg
Accessori in dotazione	Cavo da USB-A a USB-C

## SPIEGAZIONI SULLA CLASSE DI PROTEZIONE IP

1. Una classe di protezione IP indica solo la protezione contro oggetti solidi e acqua. Non descrive una generale resistenza agli agenti atmosferici, come ad esempio la protezione da raggi UV, influssi della temperatura ecc.
2. Il primo indice connota la protezione contro polvere, oggetti solidi e contatto:

IP2X	Protetto contro la penetrazione di corpi solidi di diametro $\geq 12,5$ mm
IP3X	Protetto contro la penetrazione di corpi solidi di diametro $\geq 2,5$ mm
IP4X	Protetto contro la penetrazione di corpi solidi di diametro $\geq 1,0$ mm
IP5X	Protezione contro la polvere in quantità dannosa e protezione completa contro il contatto
IP6X	Sono a tenuta di polvere e completamente protetti dal contatto

3. Il secondo indice connota la protezione dall'acqua:

IPX0	Nessuna protezione
IPX1	Protezione contro la caduta verticale di gocce d'acqua
IPX2	Protezione contro la caduta di gocce d'acqua quando il dispositivo è inclinato fino a 15°
IPX3	Protezione contro la caduta di spruzzi d'acqua fino a 60° rispetto alla verticale
IPX4	Protezione contro gli spruzzi d'acqua su tutti i lati

IPX5	Protezione contro i getti d'acqua (ugello) da qualsiasi angolazione
IPX6	Protezione contro getti d'acqua potenti
IPX7	Protezione da immersione temporanea

4. Per ottenere la classe di protezione indicata, inoltre, sono necessarie misure specifiche per il dispositivo, come coperture e cappucci (ad es. coperchi di protezione sugli attacchi non utilizzati).



La classe di protezione IP del prodotto è indicata nei dati tecnici e stampigliata sul dispositivo.

## SMALTIMENTO



### IMBALLAGGIO

1. Gli imballaggi possono essere riciclati attraverso i consueti canali di smaltimento.
2. Separare l'imballaggio in conformità alle leggi sullo smaltimento e i regolamenti sui materiali riciclabili in vigore nel proprio Paese.



### DISPOSITIVO

1. Questo dispositivo è soggetto alla Direttiva europea sui rifiuti di apparecchiature elettriche ed elettroniche nella versione in vigore (Direttiva RAEE sui rifiuti di apparecchiature elettriche ed elettroniche). I dispositivi usati non devono essere smaltiti con i rifiuti domestici. Il dispositivo usato deve essere smaltito mediante un'azienda di smaltimento autorizzata o presso un centro di smaltimento comunale. Rispettare le normative in vigore nel proprio Paese.
2. Rispettare tutte le leggi sullo smaltimento in vigore nel proprio Paese.
3. I clienti privati possono richiedere informazioni sulle possibilità di smaltimento ecosostenibile al rivenditore presso il quale è stato acquistato il prodotto o presso le autorità regionali competenti.

## DICHIARAZIONI DEL FABBRICANTE

### Garanzia del produttore e limitazione di responsabilità

Adam Hall GmbH, Adam Hall-Str. 1, D-61267 Neu-Anspach

E-mail [info@adamhall.com](mailto:info@adamhall.com) / +49 (0)6081 / 9419-0.

Le nostre condizioni di garanzia aggiornate e la limitazione di responsabilità sono consultabili alla pagina:

[https://cdn-shop.adamhall.com/media/pdf/Manufacturers-Declarations-CAMEO\\_DE\\_EN\\_ES\\_FR.pdf](https://cdn-shop.adamhall.com/media/pdf/Manufacturers-Declarations-CAMEO_DE_EN_ES_FR.pdf)

Per assistenza, rivolgersi al proprio distributore di fiducia.

**Conformità CE**

Con la presente Adam Hall GmbH dichiara che questo prodotto soddisfa le seguenti direttive (ove pertinente):

Direttiva bassa tensione (2014/35/CE)

Direttiva CEM (2014/30/UE)

RoHS (2011/65/UE)

RED (2014/53/UE)

**Dichiarazione di conformità CE**

Le dichiarazioni di conformità per i prodotti soggetti alle direttive LVD, EMC e RoHS possono essere richieste all'indirizzo [info@adamhall.com](mailto:info@adamhall.com)

Le dichiarazioni di conformità per i prodotti soggetti alla direttiva RED possono essere scaricate da [www.adamhall.com/compliance/](http://www.adamhall.com/compliance/)

**Con riserva di errori di stampa e refusi, nonché di modifiche tecniche o di altro tipo.**



DMX

ITALIANO

POLSKI

ESPAÑOL

FRANCAIS

DEUTSCH

ENGLISH

ENGLISH

DEUTSCH

FRANCAIS

ESPAÑOL

POLSKI

ITALIANO

DMX

DMX

ITALIANO

POLSKI

ESPAÑOL

FRANCAIS

DEUTSCH

ENGLISH



CAMEOLIGHT.COM

**Adam Hall GmbH**

Adam-Hall-Str. 1 | 61267 Neu-Anspach | Germany

Phone: +49 6081 9419-0 | [adamhall.com](http://adamhall.com)

Adam Hall Ltd. | The Seedbed Business Centre | SS3 9QY Essex | United Kingdom



REV: 01