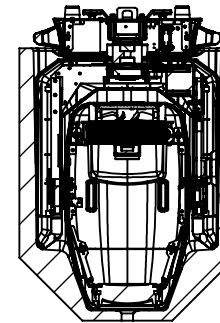
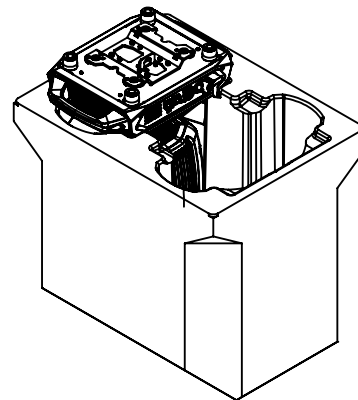


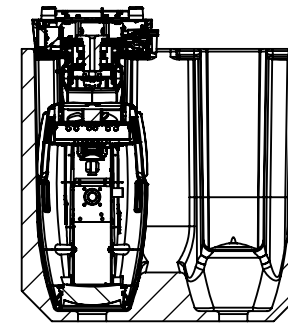
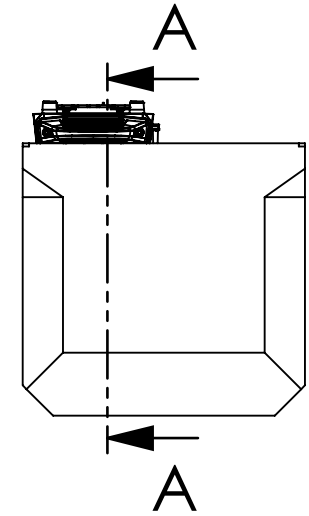
## AZOR S2 INSERT

Art No.: CLAZORS2INSERT  
Drawing No.: 018273-2  
Scale 1:10



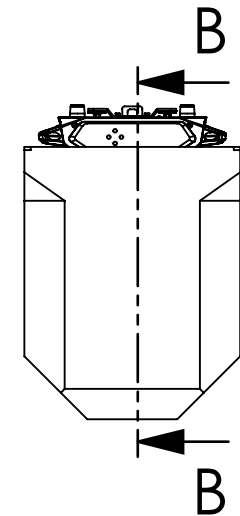
## SCHNITT A-A

MAßSTAB 1 : 15



## SCHNITT B-B

MAßSTAB 1 : 15



Cameo® is a registered brand of the Adam Hall Group.  
Adam-Hall-Str. 1 · 61267 Neu-Anspach · Germany  
DESIGNED AND ENGINEERED IN GERMANY. Assembled in PRC