

# F4 T

HIGH-POWER FRESNEL SPOTLIGHT WITH TUNGSTEN LED



## FEATURES

- ▶ Tungsten LED Fresnel spotlight with 29,500 lm total power output, replaces conventional 2 kW halogen Fresnel
- ▶ Lifelike colour reproduction, CRI rating of 96, TLCI of 96
- ▶ Continuous zoom for beam angles from 12° to 40°
- ▶ Four selectable 16-bit dimmer curves with adjustable response
- ▶ Highly efficient cooling thanks to a heatpipe and temperature-controlled fan
- ▶ Control via DMX or RDM, silent mode for studio use
- ▶ Selectable pulse width modulation frequencies up to 25 kHz
- ▶ Flicker-free and noiseless operation, ideal for TV, film, photography studios and theatre
- ▶ Quicklight function to save time when setting lights
- ▶ 8-way barn door and gel frames included

## DESCRIPTION

Warm-white light is essential for creating atmospheric stage experiences: The Cameo F4 T is a professional Fresnel spotlight with a high-quality 250 mm lens and high luminous flux of 29,500 lm. The RDM-capable spotlight creates a soft-edged beam of light with a continuously adjustable beam angle of 12° to 40° and is a perfect, energy-saving replacement for traditional 2-kW Fresnel models. Its 520-watt warm-white LED has a colour temperature of 3,200 K and a service life of 50,000 hours. Its extremely high colour rendering index of 96 reproduces pure and natural colours.

The F4 T has 6 DMX control modes, a fast strobe function and 4 16-bit dimmer curves with adjustable response. The unique quicklight function makes setting up the spotlight much easier. Simply remove the DMX signal for a moment, increase the lighting brightness via the push encoder and adjust the spotlight. Six selectable pulse width modulation frequencies up to 25 kHz ensure flicker-free operation. High-efficiency heatpipe cooling and a temperature-controlled fan provide optimal operation. The robust, die-cast aluminium housing is equipped with a push encoder and OLED display for easy configuration of the spotlight. 5-pin DMX connectors facilitate simple daisy-chaining. 8-way barn door, a gel frame and mains cable are included.



Features and specifications  
subject to change without notice.

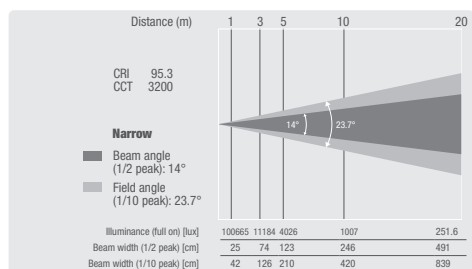
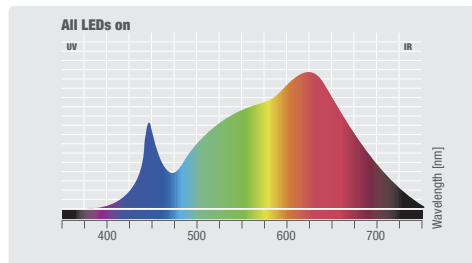
[adamhall.com](http://adamhall.com)

# F4 T

## HIGH-POWER FRESNEL SPOTLIGHT WITH TUNGSTEN LED



### PHOTOMETRICAL DATA



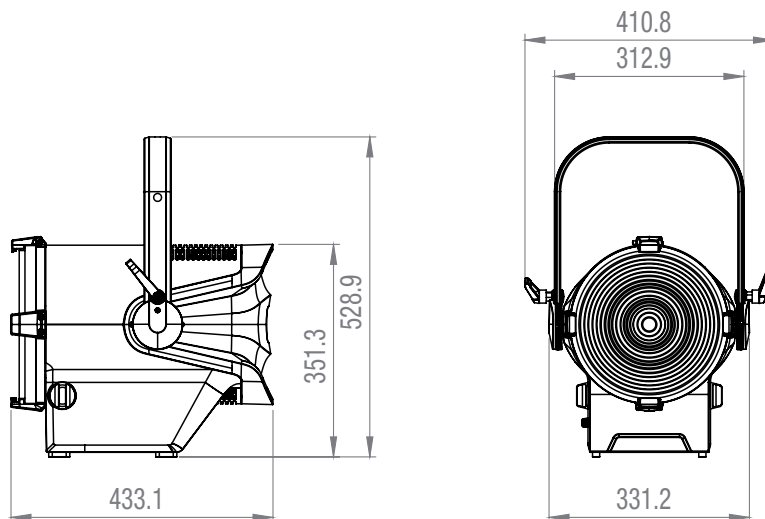
Luminous flux	narrow RAW	Chromaticity coordinates	
All LEDs on	23100	x 0.421	y 0.409
Red			
Green			
Blue			
White			
Amber			
UV			

### SPECIFICATIONS

Product type	LED Fresnel Spotlight
Type	Theater Fresnel
Colour spectrum	Tungsten , warm white
Number of LEDs	1
LED type	520 W (approx. 50,000 operating hours)
LED PWM Frequency	Adjustable: 800, 1200, 2000, 3600, 12000, 25000 Hz
Dispersion	Beam Angle: 12 - 40 ° , Field Angle: 24 - 47 °
Lens	250 mm Fresnel
DMX input	5-Pol
DMX output	5-Pol
DMX Functions	Device Settings , Dimmer , Dimmer Curve , Dimmer Fine , strobe
Standalone modes	Master / Slave mode , Static
Controls	Push encoder
Indicators	OLED Display
Operating voltage	100 V AC - 240 V AC, 50 - 60 Hz
Power consumption	473 W
Power connector	TRUE1 compatible Power I/O sockets
Power supply connection	TRUE1 compatible Power I/O sockets
Housing material	Die-cast aluminum
Cabinet colour	Black
Protection class IP	IP20
Cooling	Comination of Heat Pipe and Temperature Controlled Fan
Luminous flux	29500 lm
Efficiency	59 lm/W
Colour temperature	3200 K
Ambient temperature (operating)	-15 - 45 °C

### DIMENSIONS WITHOUT MOUNTING BRACKET

Width	410 mm
Height	364 mm
Length	433 mm
Weight	17,8 kg
Accessories (included)	8-way barndoor , gel frame , Power cord



Features and specifications subject to change without notice.

[adamhall.com](http://adamhall.com)