

EVOS® W3

COMPACT LED WASH-MOVING HEAD



FEATURES

- ▶ LED wash fixture moving head with 4,035 lm luminous flux
- ▶ 53,000 lx illuminance at a distance of 1 m
- ▶ Full color LED with additional warm white chip
- ▶ Ideally suited for illumination thanks to high CRI > 90 at 3,200 K
- ▶ All LEDs individually controllable (pixel mapping capability) for matrix effects
- ▶ Large 4.5° to 55° zoom range
- ▶ Adjustable refresh rate for flicker-free camera imagery
- ▶ DMX, RDM, Art-Net3, sACN, KlingNet, or W-DMX control possible
- ▶ Preset LEE color filters for problem-free use with conventional spotlights
- ▶ Battery-operated display with intuitive encoder operation for offline configuration

DESCRIPTION

Especially natural-looking LED light is crucial when choosing which moving head to go with for lighting and effects. This compact yet versatile mini LED moving head offers just that and a whole lot more. It may not take up a whole lot of room on trusses nor in warehouses, but it's still capable of delivering the same high-quality features as the larger-sized EVOS® W7.

The warm-white LED not only lets you mix wonderfully warm pastel shades but also amazing warm-white light for illuminating people, objects, and so much more. This wash-beam with single-pixel control is designed specifically for rental companies with discerning professional clientele.

Seven 40 W RGBW LEDs produce rich RGB colors for breathtaking lighting effects. The Cameo EVOS® W3 has a particularly high color rendering index as compared to other devices. The warm-white chip lets you use the moving head as a wash light, allowing you to light both people or objects either in naturally warm white light or in pastel shades for mood lighting. This device can be used in a variety of ways thanks to the individual combo of full-color LEDs with WW chip, which produce extremely well-defined white tones with a CRI of +Ra 90.

Used as both a wash and a beam, the Cameo EVOS® W3 Moving Head enables stunning matrix effects with single pixel control which allows all LEDs to be individually controlled. The rich luminous flux of 4,035 lumens floods every event with warm, bright light in clearly defined colors and wide-ranging horizontal (pan) and vertical (tilt) coverage up to 540° and 235° respectively. An impressive zoom range spanning between 4.5° and 55° provides powerful beam and large-area wash effects and makes the device even more versatile.

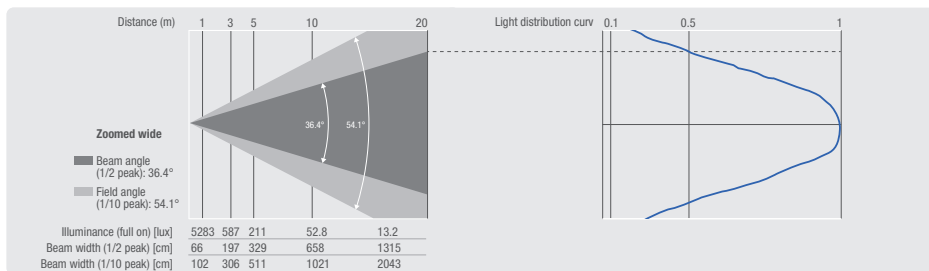
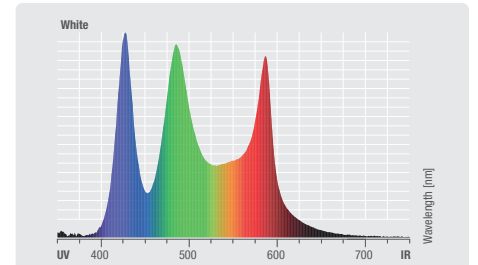
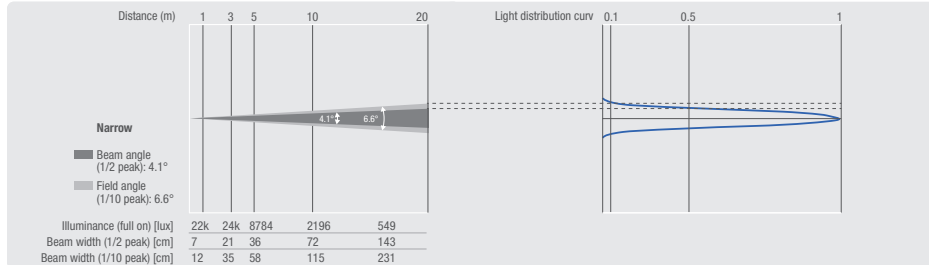
This wash-beam moving head guarantees flicker-free live broadcast images of events because the refresh rate can be adjusted in six steps between 800 Hz and a maximum of 25 kHz. Network-based software control is very flexible with DMX512, RDM, Art-Net4, sACN, KlingNet, or W-DMX. The intuitive encoder with battery-powered graphic display facilitates independent operation without the need for a power outlet. Preset LEE color filters enable problem-free use in combination with conventional headlights. The black, environmentally-friendly and fire-retardant ABS, nylon, and PC plastic housing is equipped with temperature-controlled fans, a power connection with a Neutrik TrueOne plug, and a 1 m power cable.

EVOS[®] W3

COMPACT LED WASH-MOVING HEAD



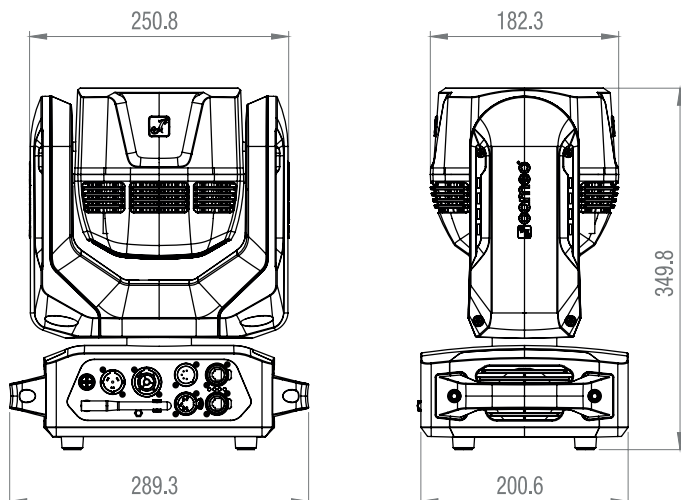
PHOTOMETRICAL DATA



SPECIFICATIONS

Product type	LED Moving Lights
Type	Moving Head
Color spectrum	RGBWW
Number of LEDs	7
LED type	40 W RGBW
Refresh rate	800 Hz, 1200 Hz, 2000 Hz, 3600 Hz, 12000 Hz, 25000 Hz
Dispersion	4.5 - 55 °
DMX input	Network, RJ45 Ethernet In (ArtNET), XLR 5-pin male
DMX output	Network, RJ45 Ethernet Out (ArtNET), XLR 5-pin female
DMX mode	18-channel, 23-channel, 33-channel, 39-channel, 43-channel
DMX Functions	Color presets, Device Settings, Dimmer, Dimmer Fine, Effect patterns, Motion Macro, Pan/Tilt, Pan/Tilt fine, Patterns, Single Pixel Control, strobe, Zoom, Zoom Fine
PAN movement	540°
TILT movement	235°
Control	ArtNet 4, DMX512, KlingNet, RDM, sACN, W-DMX
Standalone modes	Quicklight, Static Scene
Controls	Encoder wheel

Indicators	Backlit color LCD display
Operating voltage	100 V AC - 240 V AC, 50 - 60 Hz
Power consumption	325 W
Fuse	T6.3AL 250 V
Power connector	Neutrik PowerCON TRUE1 IN / OUT
Housing material	ABS plastic, nylon, Polycarbonate
Cabinet color	Black
Protection class IP	IP20
Certification	CE, ETL, RoHS
Cooling	Temperature-controlled fan
Illuminance	53000 lx
CRI	2700 K (Ra94), 3000 K (Ra91), 3800 K (Ra90)
Relative Humidity	< 85 %, not condensing
Luminous flux	4035 lm
Maximum Ambient Temperature	0 - 40 °C
Width	290 mm
Height	251 mm
Depth	350 mm
Accessories (included)	1 m Power cable with Neutrik powerCON TRUE1 plug, 2 x omega mounting
Weight	7.8 kg



Features and specifications subject to change without notice.

adamhall.com