

INSTANT FOG 1700 T PRO

HIGH OUTPUT 1700 W TOURING FOG MACHINE



FEATURES

- ▶ 1700 watt high output touring fogger
- ▶ Built into a rugged road case
- ▶ DMX control plus standalone operation
- ▶ High-contrast LC display
- ▶ Master/Slave Mode
- ▶ Integrated fluid canister drawer
- ▶ Integrated 100 mm hose adapter
- ▶ Automatic shutdown prevents pump damage when fluid tank is empty
- ▶ Ideal for live events, discotheques, theatres, TV and film productions

DESCRIPTION

Generating spectacular atmospheres and enhancing every light show, the Cameo INSTANT FOG 1700 T PRO is a high output touring fogger built into a rugged road case to meet the rigorous demands of professional applications. It is the perfect choice for live events, discotheques, theatres and on-camera use.

Sporting a powerful 1,700 watt heating element and a massive output of 700 cubic meters per minute, it fills large stages and venues with dense, consistent fog after an initial warm-up time of 7 minutes only. Fluid consumption is a very low 150 ml/min at 100% output, and the integrated fluid canister drawer takes containers up to 5 liter capacity for extended operation between refills.

The INSTANT FOG 1700 T PRO is controlled via DMX in 3-channel mode or the easy-to-read high-contrast LCD display and four buttons. It provides both 3-pin and 5-pin DMX inputs and outputs and integrates a 100 mm hose adapter if you want to duct the fog from the machine to another location. A convenient automatic shutdown feature prevents damage to the pump when the fluid tank runs empty. Generating spectacular atmospheres and enhancing every light show, the INSTANT FOG 1700 T PRO is the perfect choice for live events, discotheques and theatres as well as TV and motion picture applications.



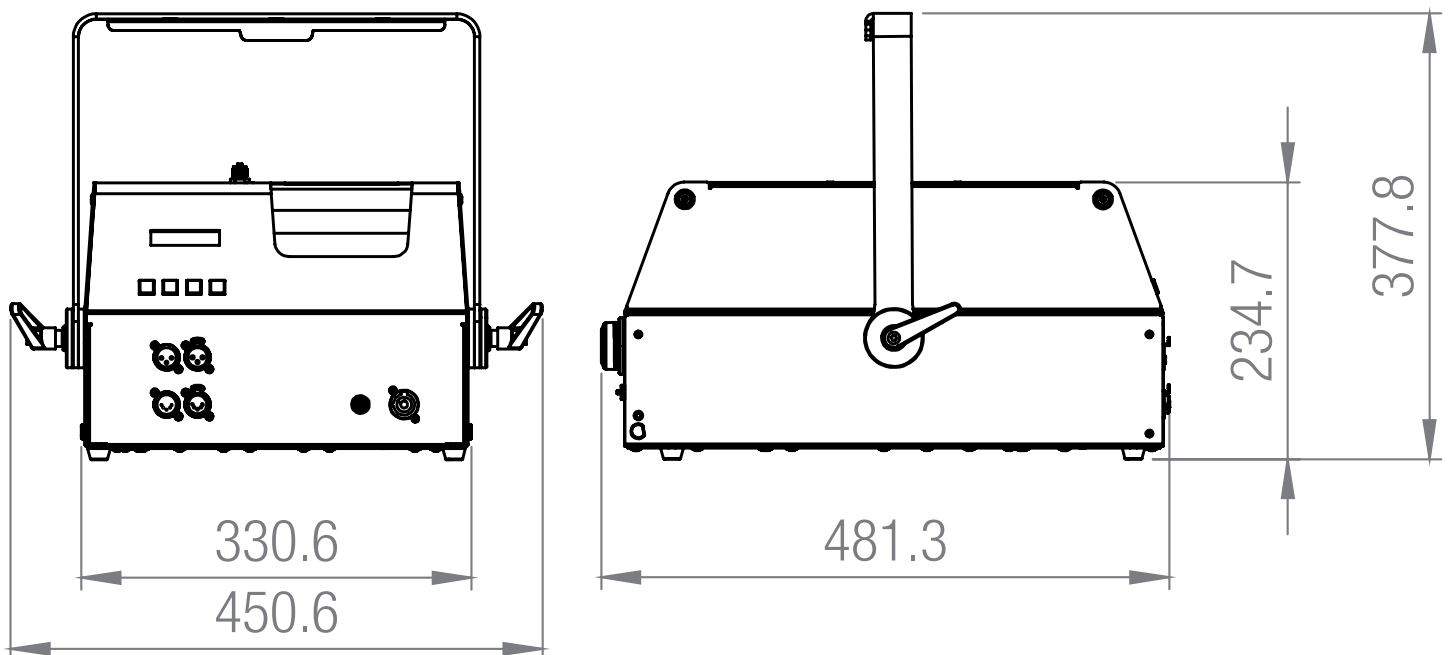
INSTANT FOG 1700 T PRO

HIGH OUTPUT 1700 W TOURING FOG MACHINE



SPECIFICATIONS

Product type	Fog and Wind Machines
Type	Fog Machine
Power	1700 W
Warm-up time	ca. 7 minutes
Fog duration	ca. 40 seconds @ 100% Output / Non-Stop @ 50% Output
Reheating time	60 seconds
Fluid tank capacity	5 l
Fluid Consumption	150 ml/min
DMX input	XLR 3-pin male, XLR 5-pin male
DMX output	XLR 3-pin female, XLR 5-pin female
DMX mode	3-channel
DMX Functions	Fog Quantity, Interval
Standalone Functions	Fog Quantity, Instant Fog, Interval
Controls	Enter, Value Up, Mode, Value Down
Indicators	LC display, Canister lighting, Key illumination
Operating voltage	230 V AC / 50-60 Hz, 230 - 240 V AC / 50 - 60 Hz, Neutrik PowerCON TRUE1
Power consumption	1800 W
Overheating Protection	Heating element with thermostat
Power connector	Power Twist Connector, Power cord with safety plug (Type E / CEE 7/7)
Fuse	T10AL (5 x 20 mm)
Ambient temperature (operating)	5 - 40 °C
Relative Humidity	< 85 %, not condensing
Housing material	Metal, plywood
Cabinet color	Black
Dimensions with cover (W x H x D)	550 x 265 x 465 mm
Width	465 mm
Height	255 mm
Length	550 mm
Other features	Flightcase with cover, butterfly locks and carrying handle., Special canister cap with ventilation valve and suction pipe, 4 x rubber feet, Power cord
Weight	25 kg
Weight	8.2 kg



Features and specifications
subject to change without notice.

adamhall.com