

# P2 D

LED PROFILE SPOTLIGHT WITH DAYLIGHT LED



## FEATURES

- ▶ LED profiler with 230 W daylight COB LED
- ▶ High CRI (>97Ra) and TLCI (>93) for natural colour rendering
- ▶ 15,000 lm luminous flux replaces conventional profile spotlight with 750W HPL bulb
- ▶ Colour temperature: 5,900 K (daylight white)
- ▶ Interchangeable fixed optics (19°, 26°, 36°, 50°) and zoom optics (15°-30°, 25°-50°)
- ▶ Time-saving Quicklight function with push encoder operation
- ▶ Selectable pulse width modulation (up to 25 kHz) for flicker-free operation
- ▶ Control via DMX, RDM or W-DMX (via optional Cameo iDMX Stick)
- ▶ Silent fan with different fan modes for every application area



## DESCRIPTION

Whether in the theatre, on a TV show or on an event stage - people and objects must always be optimally illuminated to give spectators and cameras a perfect picture of the action. To meet the requirements of lighting designers, directors, agencies, artists or company directors in any situation, Cameo has developed the P series: LED profile spotlights for the professional theatre, TV and event sector.

Anyone who sets people and objects in motion in scene with just one light beam must be able to rely on two aspects: Handling and light quality. The P2 D is convincing in both disciplines. The 230 W daylight COB LED emits a high-quality 5,600 K light with 15,000 lm luminous flux and is the perfect replacement for conventional, power-hungry 750 W profile spotlights in theatres, musicals, TV studios, at congresses or event stages in the live and corporate sector. Equipped with a particularly high CRI of over 97Ra and a TLCI value of over 93, people and objects shine in perfectly defined light at all times.

The profilers of the Cameo P series can be flexibly adapted to different stage requirements via a variety of optional interchangeable lenses. There is a choice of interchangeable lenses with fixed beam angles (19°, 26°, 36° and 50°) as well as zoom lenses for the ranges 15°-30° and 25°-50°.

The unique Quicklight function makes aligning the profile spotlight much easier: simply unplug the DMX signal briefly and use the push encoder to turn up the brightness for lighting and adjust the spotlight. Even more versatile is the use in combination with the optionally available Cameo iDMX Stick to control the P2 D not only via DMX and RDM, but also wirelessly via W-DMX.

In the development of the P-series, Cameo has consciously orientated itself on the extremely successful theatre and TV spotlights of the F-series. Thus, the F and P series harmonise with each other both visually and in terms of their photometric properties, forming a perfectly matched lighting duo for theatres, TV, congresses and corporate events.

Features and specifications  
subject to change without notice.

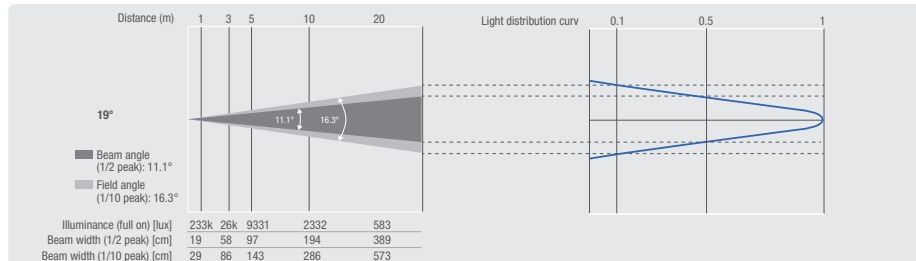
[adamhall.com](http://adamhall.com)

# P2 D

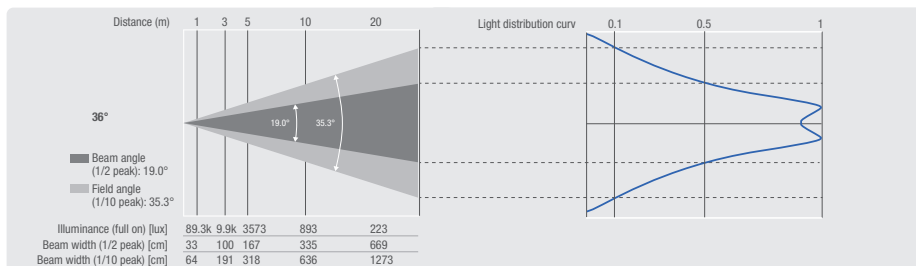
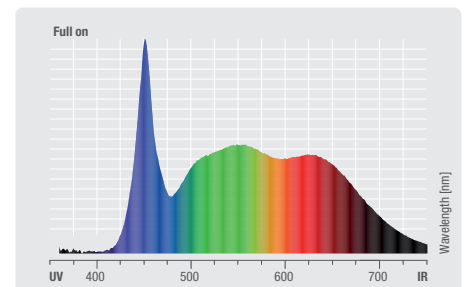
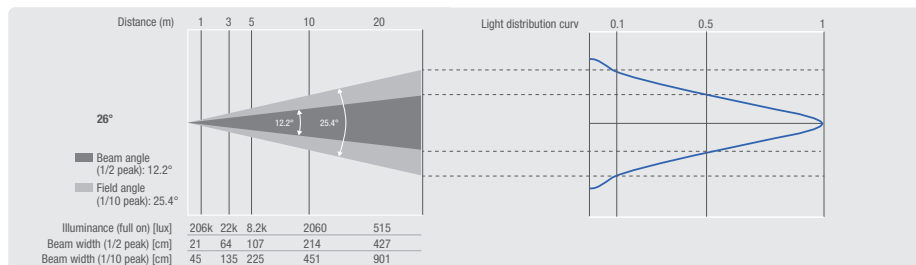
## LED PROFILE SPOTLIGHT WITH DAYLIGHT LED



### PHOTOMETRICAL DATA



	Luminous flux	Chromaticity coordinates	CCT	R <sub>a</sub>
Full on	15236 lm	x 0.332 y 0.338	5516	95



### SPECIFICATIONS

Product type	LED profile spotlight
Colour spectrum	Daylight
Color temperature	5900 K
Luminous flux	15000 lm
Refresh rate	800 - 25000 Hz
Lenses (optional)	Interchangeable Lens-Tubes
Dispersion	15 - 30 °, 19 °, 25 - 50 °, 26 °, 36 °, 50 °
Inputs	iDMX slot, XLR (5-pin)
Outputs	XLR (5-pin)
Dimmer curves	Exponential, Linear, Logarithmic, Square
Dimmer resolution	16 bit
Strobe	0 - 20 Hz
CRI	>97 Ra
TLCI	>93
Control	DMX, Master / Slave mode, RDM, Standalone, W-DMX via iDMX stick
DMX Functions	Device Settings, Dimmer, Dimmer Curve, strobe
System settings	Default settings, Dimmer, Dimmer Response, Display, Fan mode, LED PWM Frequency, Signal Fail, Wireless
Controls	Push & turn encoder

Indicators	OLED Display
Protection class IP	IP20
Ambient temperature (operating)	-10 - 40 °C
Relative Humidity	< 80 %, not condensing
Cooling	Convection, low-noise fan
Operating voltage	100 V AC - 240 V AC, 50 - 60 Hz
Power connector	TRUE1 Compatible Power I/O Socket
Housing material	Die-cast aluminium, Magnesium
Cabinet colour	Black
Weight	10,5 kg

#### Dimensions without lens top

Width	245 mm
Height	202 mm
Depth	462 mm

Features and specifications subject to change without notice.

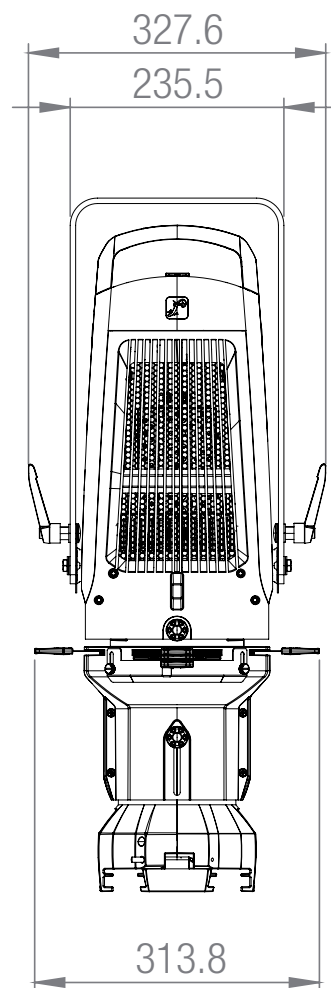
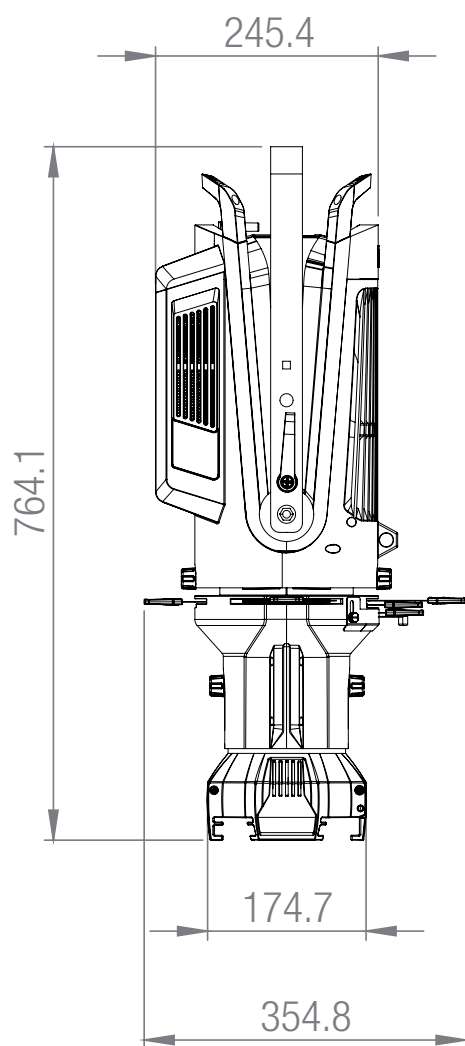
[adamhall.com](http://adamhall.com)

# P2 D

LED PROFILE SPOTLIGHT WITH DAYLIGHT LED



## DIMENSIONS (mm)



Features and specifications  
subject to change without notice.

[adamhall.com](http://adamhall.com)