

OTOS® W6

IP65 WASH MOVING HEAD



FEATURES

- ▶ 16 x 50W RGBL LED with a total output of 8,200 lm luminous flux
- ▶ Single pixel control
- ▶ Controllable FX LED effect ring
- ▶ Zoom lens and zoom range 4° - 60°
- ▶ Dual zoom enables two individually controllable zoom levels
- ▶ Dual input mode as option for pixel mapping
- ▶ Flexible control options via integrated W-DMX™ & CRMX transceiver, DMX and RDM



DESCRIPTION

With vibrant accents, the wash products in the OTOS® series enrich outdoor concert and festival stages as well as major TV show productions. Three multi-faceted eye-catchers, rich in features that are an absolute must.

Versatile zoom levels

As the largest IP65 wash moving head in its series, the OTOS® W12 fascinates with its multi-zoom feature. It enables three different levels to be controlled individually and the zoom range to be adjusted on several levels. This feature can be used on two zoom levels with the OTOS® W6 and on one level with the OTOS® W3.

FX LED effect ring

All models have the controllable FX LED effect ring in common, which can shine both in white tones and in a wide range of colours. The effect ring is barely visible when the device is switched off as it has a narrow width and therefore fits discreetly into the stage design.

Single Pixel Control & Dual Input Mode

Depending on the size of the product, either 7 x 50W, 16 x 50W or 32 x 50W RGBL LEDs are available, which can be controlled individually using Single Pixel Control. - The FX effect LED ring also has a large number of pixels, which can also be controlled individually. For more efficient use of the DMX channels, you can also use the dual input mode, which allows you to assign a separate colour to each pixel via pixel mapping.

Flexible control options

All IP65 wash moving heads in the OTOS® series have an integrated W-DMX™ & CRMX transceiver, but can also be controlled by cable via DMX and RDM.

Three options that will spice up your shows.

Decide now and „Ride vibrant“.

OTOS® W6

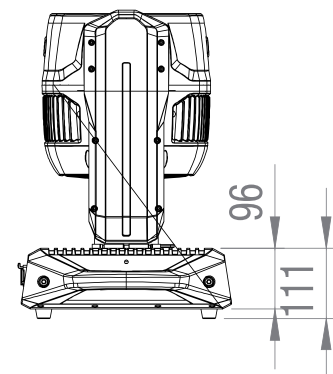
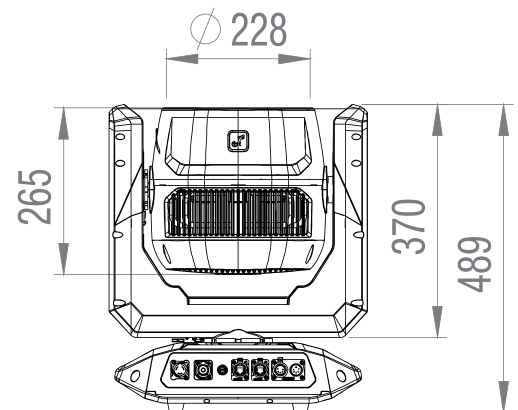
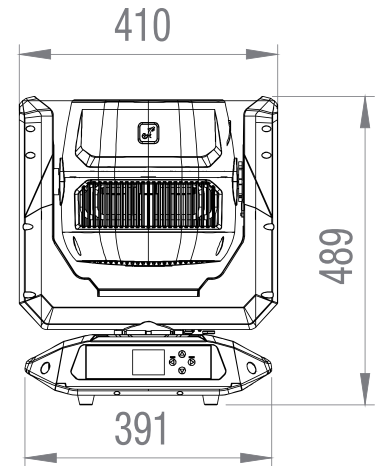
IP65 WASH MOVING HEAD



SPECIFICATIONS

Item number	CLOTOSW6
Product Category	LED Wash Moving Light
Type	Moving Head
Light Source Center LED	16 x 50 W
Color Mixing Center LEDs	RGBL
Number of Ring Segments	68
Color Mixing Ring LEDs	RGB
Pan Angle	Adjustable: 630° / 540°
Tilt Angle	238°
LED PWM	650 Hz; 1530 Hz; 3600 Hz; 12 kHz; 18.9 kHz; 25 kHz
Dimmer Resolution	16 bit
Dimmer Curves	Linear; Exponential; Logarithmic; S-Curve
Calibration	Yes
CRI	>85
Luminous Flux	8200 lm
Illuminance	8400 lx (10 m, narrow)
Beam Angle / Field Angle	4-45° / 10-60°
CCT	1800 - 10000 K
Control Protocols	DMX; RDM; W-DMX; CRMX
Data Connections	5pin XLR male + female; 2x RJ45
DMX Modes	23CH RGBL Effect 22CH HSI Wash 23CH RGBL Wash 8bit 27CH RGBL Wash 39CH HSI Pattern 49CH RGBL Pattern 49CH RGBL Rings 100CH RGBL Pixel 290CH RGBL Pixel Full 12CH Dual Input 22CH Dual Input 25CH Dual Rings
DMX Functions	Pan (fine); Tilt (fine); Dimmer (fine); Strobe functions, RGBL (fine); Hue (fine); Saturation; Color Temperature; Tint; Color Presets; Color Crossfade; Ring Dimmer; Ring RGB; Ring Strobe, Ring Pattern Selection; Ring Pattern Speed; Pattern Folder; Pattern Selection; Pattern Position & Speed; Pattern Transition; Pattern Fade/Wake Effect; Background Dimmer (fine); Background Strobe; Background RGBL; Background Hue (fine); Background Saturation; Background color Temperature; Background Tint; Background color Presets; Background color Crossfade; Zoom; LED Control Crossfade; Device Settings; RGBL; Ring RGB
Stand Alone	Scene; Loop
System Settings	Display; Dimmer; Color Calibration; Movement; Fan; Signal Fail; Pixel Mirror
Display / Indicators	LC Display
IP-Rating	IP65 for temporary outdoor use
Ambient Temperature Rating	-10 - 40° C
Cooling System	Temperature-controlled fans
Operation Voltage	100 - 240 V AC / 50-60 Hz
Max. Power Consumption	720 W
Fuse	T8A/250V
Power Connection	Seetronic IP65
Power Link	Seetronic IP65
Max. Power Out (110V)	7 A
Max. Power Out (230V)	11 A
Housing	Metal
Risk Group	1
Minimum distance to illuminated surface	3 m
Minimum distance to normal flammable materials	0.5 m
Dimensions (w x h x d)	410 x 489 x 410 mm
Weight	21.4 kg

DIMENSIONS (mm)



Features and specifications subject to change without notice.

adamhall.com