

H1 FC (WH)

DMX-CONTROLLABLE HOUSE LIGHT
WITH RGBAL LED



FEATURES

- ▶ 120 W RGBAL LED with total light output of 5200 lm
- ▶ 1800 to 6500 K colour temperature, CRI > 90 for optimal colour reproduction
- ▶ Adjustable beam angle from 20° to 65° via exchangeable lenses
- ▶ Completely silent operation thanks to convection cooling without fans
- ▶ Controllable via DMX, W-DMX™, RDM and optional UNICON® remote control
- ▶ RJ45 and terminal block plug for simple integration into any environment
- ▶ Combined form and function in minimalistic design
- ▶ Flicker-free operation thanks to selectable PWM frequencies up to 25 kHz
- ▶ Optional installation set and wall bracket available for ceiling and wall installation



DESCRIPTION

Minimally designed installation light for sophisticated lumen beings

The full colour version of the compact Cameo® H1 FC makes it possible for light installers, interior designers and lighting technicians to meet the challenges of creating atmospheric lighting in a wide variety of locations. You can take the ambience in theatres, restaurants, hotels, at trade fair stands, and in many other places to the next level with this modern house light and emotionally inspire your audience. The installation fixture fits seamlessly into existing interior design with its deliberate minimalistic design. Its housing comes in either black or white and discreetly blends into interior spaces without drawing attention.

Efficient lighting technology for lighting architecture and comprehensive installation projects

The high lighting efficiency of the RGBAL LED module combined with a full range of colours and tunable white lighting lets you benefit in many ways. For one, Cameo's H1 FC doesn't make any noise during operation thanks to its convection cooling, making it the ideal choice for sound-sensitive environments. Secondly, the the full colour light with its high colour fidelity across all measurable categories creates visually stunning aesthetics without any distorted colour effects and allows the natural colours of costumes, objects and food to really pop. Finally, the H1 FC features a flicker-free light with high-resolution, soft dimmer response based on 16-bit technology so it can't be told apart from conventional lighting. Creating the perfect feel-good environment with a pleasant atmosphere is always guaranteed!

Controls based on the individual set-up

Our H1 series house light offers you maximum flexibility in terms of controls. You can integrate the installation light into your set-up using DMX, wireless W-DMX™ and RDM. The device was deliberately designed with no built-in display to make it practical to use in interior design. The optionally available UNICON® remote control is the best way to initially configure the device and can be used to control, retrieve and save all device functions, so that you can transfer them to other devices and conveniently set up the entire lighting installation. In addition, the firmware on a vast array of compatible end devices can be updated using the UNICON® remote control.

Features and specifications
subject to change without notice.

adamhall.com

H1 FC (WH)

DMX-CONTROLLABLE HOUSE LIGHT
WITH RGBAL LED

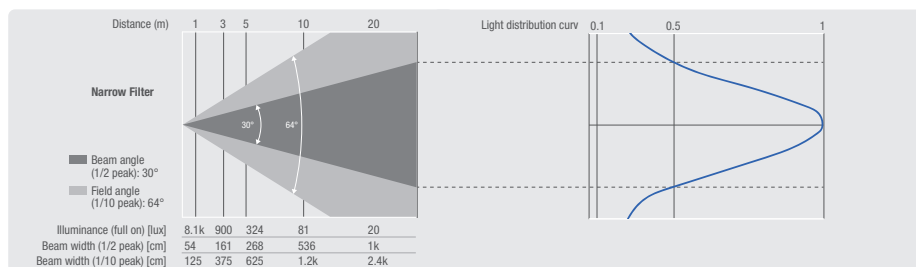


Flexible installation possibilities as a pendant, sconce or integrated ceiling light

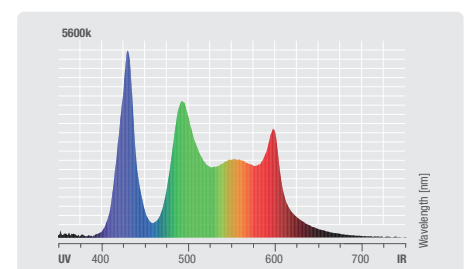
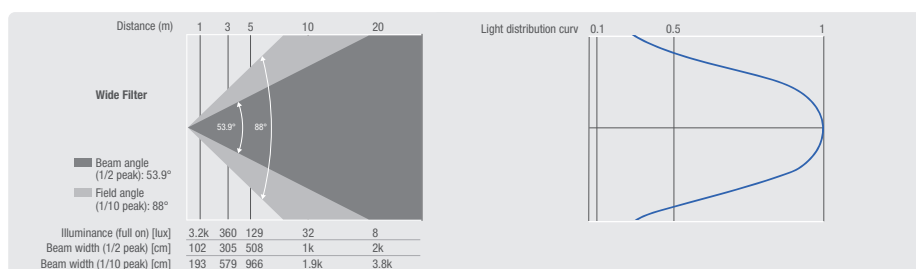
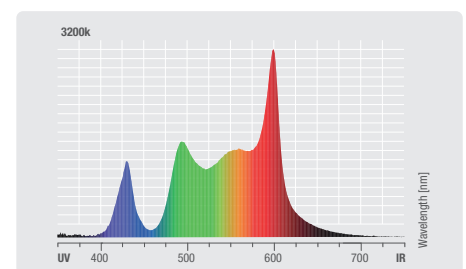
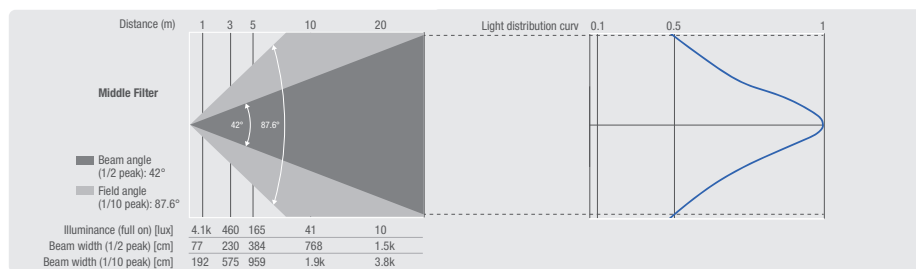
No less impressive are the wide variety of ways to install this modern house light. The H1 FC can be incorporated into your lighting concept based on your specific requirements as a hanging theatre light, a downlight on the wall or a built-in ceiling light. Quick installation flush to the ceiling is instantly possible with the optionally available installation kit. Cable connections can easily be tucked away and hidden from sight during installation with the wall bracket specially designed for the H1 series, which can also be used to install the spotlight as an uplight.

The Cameo H1 series combines extensive installation and control options and elegant design with the latest LED technology to cover all your modern architectural lighting needs.

PHOTOMETRIC DATA



	Luminous flux	Chromaticity coordinates	CCT	R _a	CRI
Full on	4800 lm	x 0.334 y 0.284	3200-5600		92.6
Red	990 lm	x 0.694 y 0.300			
Green	1730 lm	x 0.145 y 0.701			
Blue	220 lm	x 0.158 y 0.025			
Amber	1500 lm	x 0.566 y 0.427			
Lime	2500 lm	x 0.410 y 0.552			
3200k	5600 lm	x 0.418 y 0.406			
5600k	5500 lm	x 0.323 y 0.342			



SPECIFICATIONS

Product type	LED Lighting
Type	Installation spotlights
Colour spectrum	RGBAL
Number of LEDs	1
LED type	120 W COB
LED PWM Frequency	800 Hz, 1200 Hz, 2000 Hz, 3600 Hz, 12 kHz, 25 kHz - adjustable
Dispersion	30 °, 42 °, 54 °
DMX input	RJ45, Terminal block
DMX output	RJ45, Terminal block
DMX Functions	Colour presets, Colour temperature, Device Settings, Dimmer, Dimmer Fine, Hue Saturation, RGBAL, strobe
Control	DMX 512, RDM, W-DMX
Standalone Functions	Static

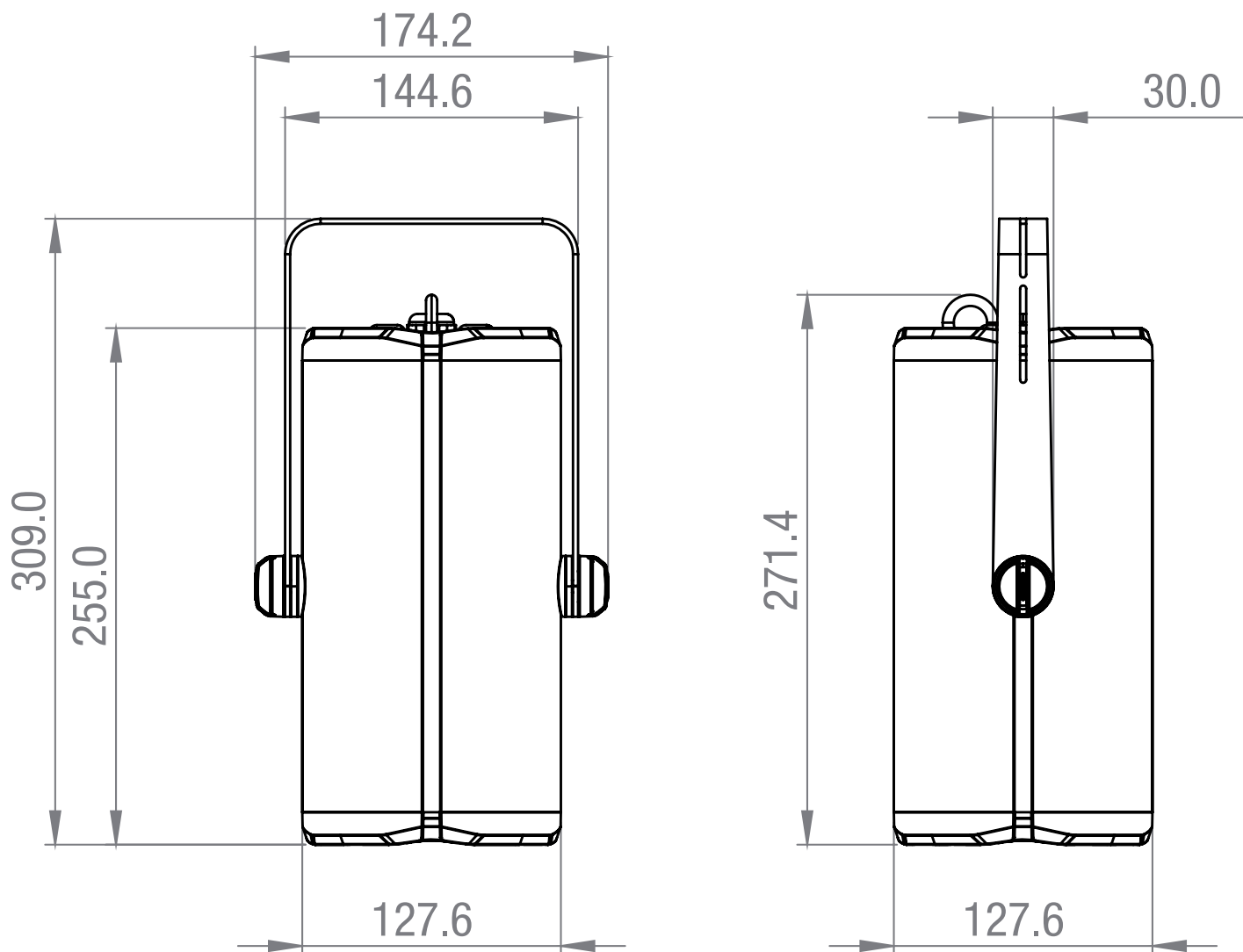
Controls	8 DIP Switch, External Remote Control, W-DMX Button
Operating voltage	100 V AC - 240 V AC, 50 - 60 Hz
Power consumption	100 W
Luminous flux	5200 lm
Colour rendering index (Ra)	> 90
Inrush Current Power @ 10 ms	2.7 A @ 240 V / 50 Hz
Power connector	Terminal block
Ambient temperature (operating)	0 - 40 °C
Cabinet colour	Black
Housing material	Metal
Housing Cooling	Convection
Width	128 mm
Length	255 mm
Weight	3 kg
Scope of delivery	1 x omega mounting, 2 x exchange lenses

H1 FC (WH)

DMX-CONTROLLABLE HOUSE LIGHT
WITH RGBAL LED



DIMENSIONS (mm)



Features and specifications
subject to change without notice.

adamhall.com