

PIXBAR® 400 / 600 S IP G2

IP65 RGBW LED BAR SHORT



FEATURES

- ▶ Simple and efficient interconnection of up to 3 units with the optional STACK-KIT
- ▶ Adjustable feet for truss-bracing positioning
- ▶ Optional VERTI-MOUNT for standing or hanging application
- ▶ Easy slide-in filter mechanism with locking mechanism
- ▶ Fanless cooling design
- ▶ High brightness and accurate colour mixing
- ▶ SPIN16® included

DESCRIPTION

Introducing the short-version of Cameo PIXBAR®-Series. With its sophisticated features and durable design, it is the ideal lighting option for any event, whether it is held indoors or outdoors. The PIXBAR® short models 400 IP or 600 IP are equipped with RGBW or RGBWAuV LEDs, IP65 certification, and well-thought-out accessories.

Whether hanging or standing, the optional connection system allows for a variety of creative designs and placement options creating unique lighting effects and set designs. Up to three units can be connected vertically with the optional VERTI MOUNT and STACK KIT for a seamless and synchronized lighting effect. With the M20 adapter the new PIXBAR®-Series can be mounted on M20 threaded base plates. Truss mounting is also made easier thanks to the adjustable feet. All filters can be inserted quickly and easily using the slide-in mechanism of the filter rail.

Additionally, the IP65 LED bars operate quietly thanks to the fanless cooling system, while still ensuring a strong light output. SPIN16® adaptors are also included with each device. So, what are you waiting for? Upgrade your lighting game with Generation 2 of the PIXBAR®-Series.



PIXBAR® 400 / 600 S IP G2

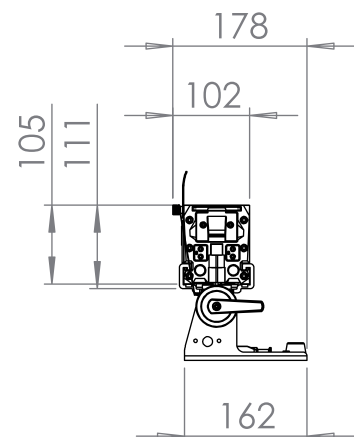
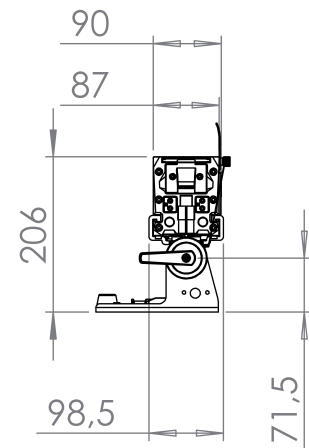
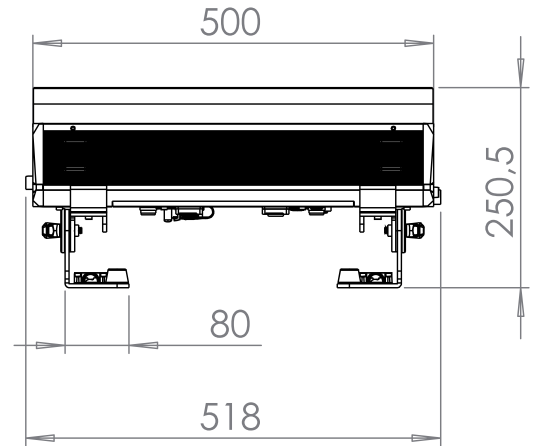
IP65 RGBW LED BAR SHORT



SPECIFICATIONS

Item number	CLPB400SIPG2	CLPB600SIPG2
Product category:	Static LED Light	Static LED Light
Type:	LED Bar	LED Bar
Light source:	8 x 10 W RGBW LED	8 x 15 W RGBWUUV LED
Luminous flux:	3250 lm @ 6300 K; R: 1250 lm; G: 1800 lm; B: 280 lm; W: 2500 lm	2650 lm @ Full On; R: 790 lm; G: 1400 lm; B: 215 lm; W: 1590 lm; A: 870 lm; UV: n/a
Lense / optic:	8 x 30 mm acryl lens	8 x 30 mm acryl lense
LED PWM:	650 Hz; 1530 Hz; 3600 Hz; 12000 Hz; 18900 Hz; 25000 Hz;	650 Hz; 1530 Hz; 3600 Hz; 12000 Hz; 18900 Hz; 25000 Hz;
Dimmer resolution:	8 / 16 bit	8 / 16 bit
Dimmer curves:	Linear, Exponential, S-Curve, Logarithmic	Linear, Exponential, S-Curve, Logarithmic
Halogen simulation:	Yes	Yes
Strobe:	0 Hz - 20 Hz	0 Hz - 20 Hz
LED Colours / Colour temperature:	R: 625 nm; G: 518 nm; B: 545 nm; W: 6036 K	R: 635 nm; G: 519 nm; B: 448 nm; W: 6100 K; A: 602 nm; UV 400 nm
Calibration:	Raw; Factory; Smart	Raw; Factory; Smart
CRI:	>84 @ 5600 K	>77
Beam angle / field angle:	25° / 42°	24° / 46°
Colour mixing:	RGBW	RGBWUUV
Colour control:	RGBW Direct; CCT + Tint; HSI; Colour Presets	RGBWUUV Direct; CCT + Tint; HSI; Colour Presets
CCT:	2200 K - 8000 K	2200 K - 8000 K
Control protocols:	DMX; RDM; Wireless; Stand-Alone; Master-Slave; EZ-Remote	DMX; RDM; Wireless; Stand-Alone; Master-Slave; EZ-Remote
Data connections:	5-Pin XLR in/out; Wireless DMX	5-Pin XLR in/out; Wireless DMX
DMX modes:	1CH; 3CH; 4CH; 7CH; 8CH; 10CH; 11CH; 16CH; 36CH; 24CH; 32CH; 36CH; D2CH; D4CH; D7CH	1CH; 3CH; 6CH; 9CH; 12CH; 13CH; 20CH; 44CH; 24CH; 48CH; 52CH; D2CH; D4CH; D9CH
DMX functions:	Dimmer; Dimmer fine; Strobe Functions; Red; Red fine; Green; Green fine; Blue; Blue fine; White; White fine; Colour Temperature; Tint; Colour Presets; Colour Preset Crossfade; Selection Folder; Pattern; Pattern Speed; Pattern Transition; Running Effect Pattern; Background Dimmer; Background Dimmer fine; Background Strobe Functions; Background Red; Background Red fine; Background Green; Background Green fine; Background Blue; Background Blue fine; Background White; Background White fine; Background Colour Temperature; Background Tint; Background Colour Macro; Background Macro Crossfade; Device Settings; Grouping; DMX-Delay (EZ-Chase); Pixel: R1, G1, B1, W1, ... R8, G8, B8, W8	Dimmer; Dimmer fine; Strobe Functions; Red; Red fine; Green; Green fine; Blue; Blue fine; White; White fine; Amber; Amber fine; UV; UV fine; Colour Temperature; Tint; Colour Presets; Colour Preset Crossfade; Selection Folder; Pattern; Pattern Speed; Pattern Transition; Running Effect Pattern; Background Dimmer; Background Dimmer fine; Background Strobe Functions; Background Red; Background Red fine; Background Green; Background Green fine; Background Blue; Background Blue fine; Background White; Background White fine; Background Amber; Background Amber fine; Background UV; Background UV fine; Background Colour Temperature; Background Tint; Background Colour Macro; Background Macro Crossfade; Device Settings; Grouping; DMX-Delay (EZ-Chase); Pixel: R1, G1, B1, W1, A1, Uv1, ... R8, G8, B8, W8, A8, Uv8
RDM functions:	Cameo standard RDM functions	Cameo standard RDM functions
Stand Alone:	Direct LED; Colour Preset; CCT; HSI; Play Loop; Timer; Slave	Direct LED; Colour Preset; CCT; HSI; Play Loop; Timer; Slave
System settings:	Wireless; Display Reverse; Display off Timer; Autolock; Signal Fail; Dimmer Curve; Dimmer Response; Redshift; PWM Frequency; Colour Calibration; Load Default; Store Default; Service	Wireless; Display Reverse; Display off Timer; Autolock; Signal Fail; Dimmer Curve; Dimmer Response; Redshift; PWM Frequency; Colour Calibration; Load Default; Store Default; Service
User interface:	Display with 4 buttons	Display with 4 buttons
Display / indicators:	2 row OLED display	2 row OLED display

DIMENSIONS (mm)



PIXBAR® 400 / 600 S IP G2

IP65 RGBW LED BAR SHORT



SPECIFICATIONS

IP-Rating:	IP65 (for temporary outdoor use only)	IP65 (for temporary outdoor use only)
Ambient temperature rating:	T -20°C - 45°C (unit operational) -10°C - 45°C (display operational)	T -20°C - 45°C (unit operational) -10°C - 45°C (display operational)
Cooling system:	Passive convection, fanless	Passive convection, fanless
Noise level:	Noise free (fanless)	Noise free (fanless)
Operation voltage:	100-240 V AC; 50/60 Hz	100-240 V AC; 50/60 Hz
Max. current:	0.42 A @ 230 V; 1.05 A @ 110 V	0.43 A @ 230 V; 1.02 A @ 110 V
Inrush current:	42 A (0.13 ms)	42 A (0.13 ms)
Max. power consumption:	95 W @ 230 V / 110 V	92 W @ 230 V / 110 V
Standby power:	3 W	9 W
Power connection:	Seetronic IP65 in + out	Seetronic IP65 in + out
Power link :	up to 9 units @ 230 V; up to 5 units @ 110 V	up to 9 units @ 230 V; up to 5 units @ 110 V
Risk group:	RG1	RG1
Minimum distance to illuminated surface:	0.3 m	0.3 m
Minimum distance to normally flammable materials:	0.017 m	0.017 m
Housing:	String cast aluminium, black powder coated	String cast aluminium, black powder coated
Dimensions (w x h x d):	518 (500 when stacked) x 206 x 162 mm	518 (500 when stacked) x 206 x 162 mm
Weight:	7.5 kg	7.5 kg
RDM UID:	0x08A40050 0000-FFFF	0x08A40051 0000-FFFF