

# DROP® B1 (WH)

BATTERY POWERED OUTDOOR MINI UPLIGHT



## FEATURES

- ▶ Running time up to 12 hours
- ▶ IP65 for outdoor use
- ▶ Built-in 2.4 GHz W-DMX™ receiver
- ▶ 1 x 15 W highly efficient 6-in-1 RGBWA+UV LED
- ▶ LG Chemicals rechargeable lithium-ion long-life battery with extremely high capacity
- ▶ Battery management system prevents overcharging and deep discharging
- ▶ 16-bit technology for high-resolution colours and dimming
- ▶ W-DMX and infrared control or operation via OLED display
- ▶ Diffusers for flexible beam angles 9°, 11° & 27°
- ▶ Hemispherical diffuser makes the lamp itself a design highlight
- ▶ Also available as a set with power supply (product no. CLDROPB1SET1) or as touring set, six units in a flightcase with charging feature (product no. CLDROPB1SET2)

## DESCRIPTION

Flexibility meets design! Professionals and rental firms are better prepared with this battery-powered PAR! Whether they're standing, hanging or mounted in some other way, our DROP series uplights always look good. This is thanks to their intelligently attached bracket with no visible screws. The innovative bracket is screwed onto the uplight from below and not from the side as is standard. When unmounted, the lamp boasts a very clean, simple exterior.

Mounting options are flexible, either on the bracket or standing on rubber feet. When positioned upright and standing (without the mounted bracket), a built-in adjustment screw is available for tilt manipulation. This version also has a magnetic mount. Rated with protection class IP65, this uplight is also suitable for outdoor use. The LG Chemicals rechargeable lithium-ion battery ensures reliable operation.

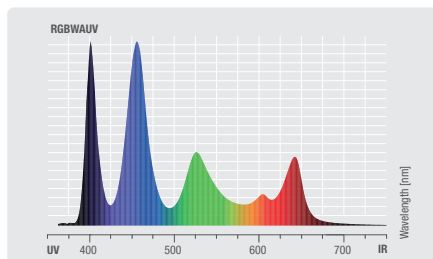
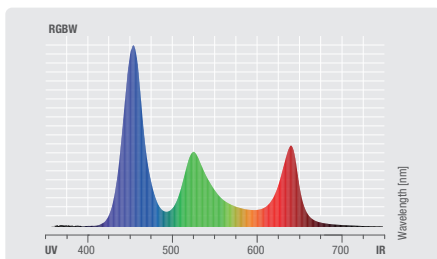
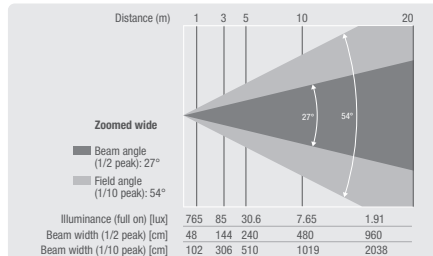
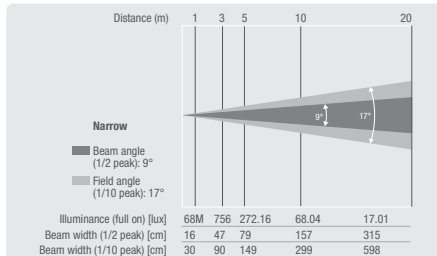


# DROP® B1 (WH)

## BATTERY POWERED OUTDOOR MINI UPLIGHT



### PHOTOMETRICAL DATA



### SPECIFICATIONS

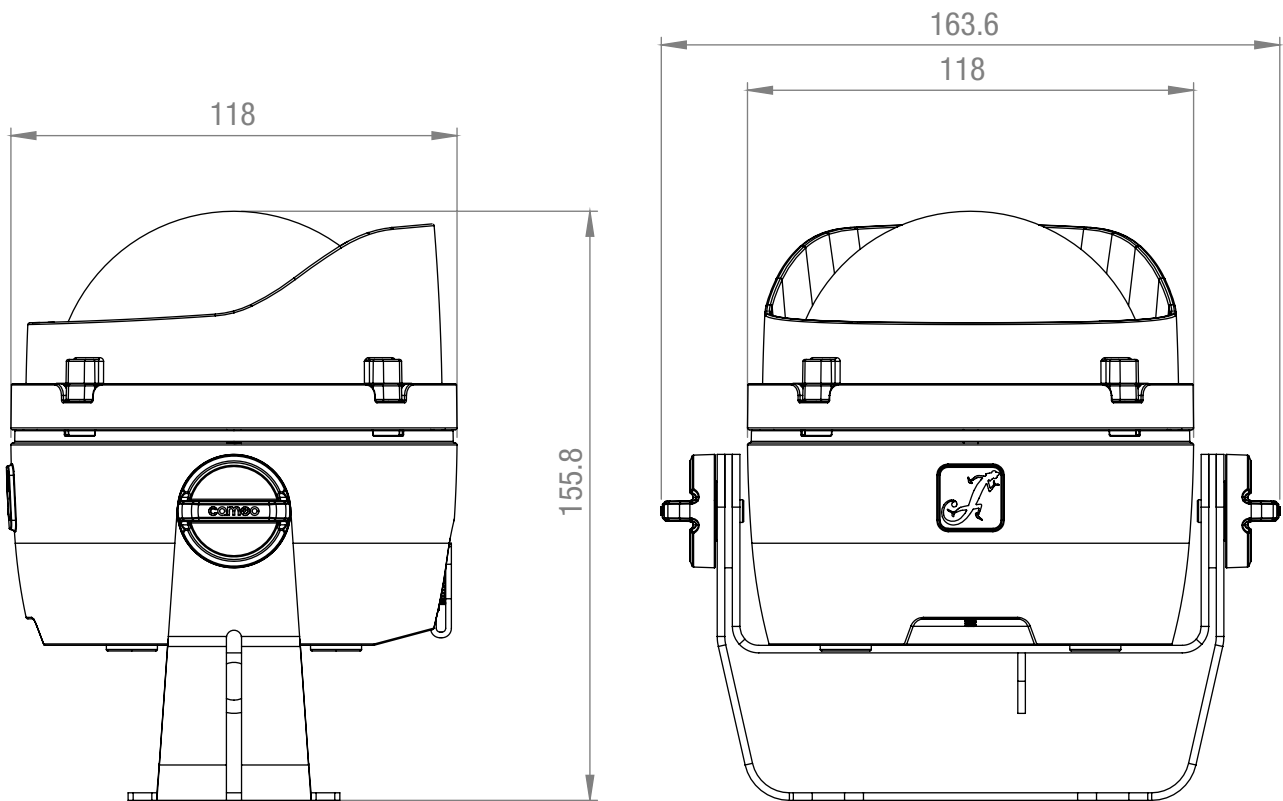
Product type	Battery powered LED outdoor lighting
Type	Outdoor PAR, PAR
Colour spectrum	RGBWA + UV
Number of LEDs	1
LED type	15 W
Dispersion	9 °, Filter 1: 11 °, Filter 2: 27 °
DMX mode	2 x 13-channel, 20-channel, 2-channel, 3-channel, 4-channel, 6-channel, 7-channel
DMX Functions	CCT, colour change, colour fade, colour macro, Dimmer, Dimmer Curve, Dimmer Fine, Dimmer Response, DMX Delay, RGBWA + UV Fine, strobe
Standalone modes	Auto programs, colour macro, Colour Mix, strobe, Tunable White, User Colours
Control	W-DMX
Controls	Down, Enter, Mode, Up
Indicators	OLED Display
Operating voltage	100 V AC - 240 V AC, 50 - 60 Hz
Power consumption	35 W
Housing material	Metal
Cabinet colour	Black / White
Protection class IP	IP65
Relative Humidity	< 85 %, not condensing
Cooling	Convection
Illuminance	6800 lx @ 1 m, 756 lx @ 3 m
Luminous flux	320 lm
Maximum Ambient Temperature	0 - 40 °C
<b>Dimensions including Mounting Bracket</b>	
Width	166.6 mm
Height	176.8 mm
Diameter	118 mm
Weight	1 kg
Certificates	CE, ETL, FCC, RoHS
Accessories (included)	1 x Hemispherical filter, 1 x Mounting bracket, 2 x filter, IR Remote Control

# DROP<sup>®</sup> B1 (WH)

BATTERY POWERED OUTDOOR MINI UPLIGHT



## DIMENSIONS (mm)



Features and specifications  
subject to change without notice.

[adamhall.com](http://adamhall.com)