

# THUNDERWASH 600 RGBW

3 IN 1 STROBE, BLINDER AND WASH LIGHT



## DESCRIPTION

Electrify your audience with dramatic lighting and energy-laden effects. Combining a rapid-firing strobe, high intensity blinder and bright wash light, the Thunder Wash 600 RGBW is the latest addition to Cameo's successful Thunder Wash series. To fit the needs of DJs, bands and live venues this powerful fixture is packed with features and control options.

Delivering a massive output of 6,700 lumens with extended 104° beam angle, the Thunder Wash 600 RGBW is equipped with a total of 648 SMD LEDs. In addition to 9 modes of DMX control it includes standalone and master/slave functionality. The Thunder Wash 600 RGBW also provides adjustable flash frequency and duration, smooth dimming and a built-in microphone for sound activation.

Menu navigation and configuration are a breeze thanks to a high-contrast color LCD with mode, enter, up and down buttons. The Thunder Wash 600 RGBW comes in a durable all-metal housing with universal mounting bracket. 3-pin DMX and powerCON compatible connectors allow easy daisy chaining to charge up your show with multiple units.

## FEATURES

- ▶ Strobe, Blinder and Wash Light in a single fixture
- ▶ 648 RGBW SMD LEDs 0.2 W
- ▶ Massive total output of 6,700 lm
- ▶ Strobe adjustable from 1 to 30 flashes/sec
- ▶ DMX, sound activation and manual control
- ▶ Standalone and master/slave operation
- ▶ Blue & white power twist connectors for professional power linking, powerCON compatible
- ▶ 4-button color LCD for easy menu navigation and configuration
- ▶ Rugged all-metal housing with universal mounting bracket



Features and specifications  
subject to change without notice.

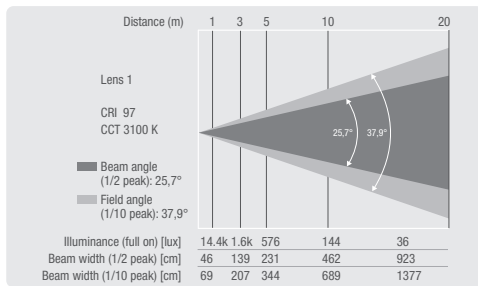
[adamhall.com](http://adamhall.com)

# THUNDERWASH 600 RGBW

3 IN 1 STROBE, BLINDER AND WASH LIGHT

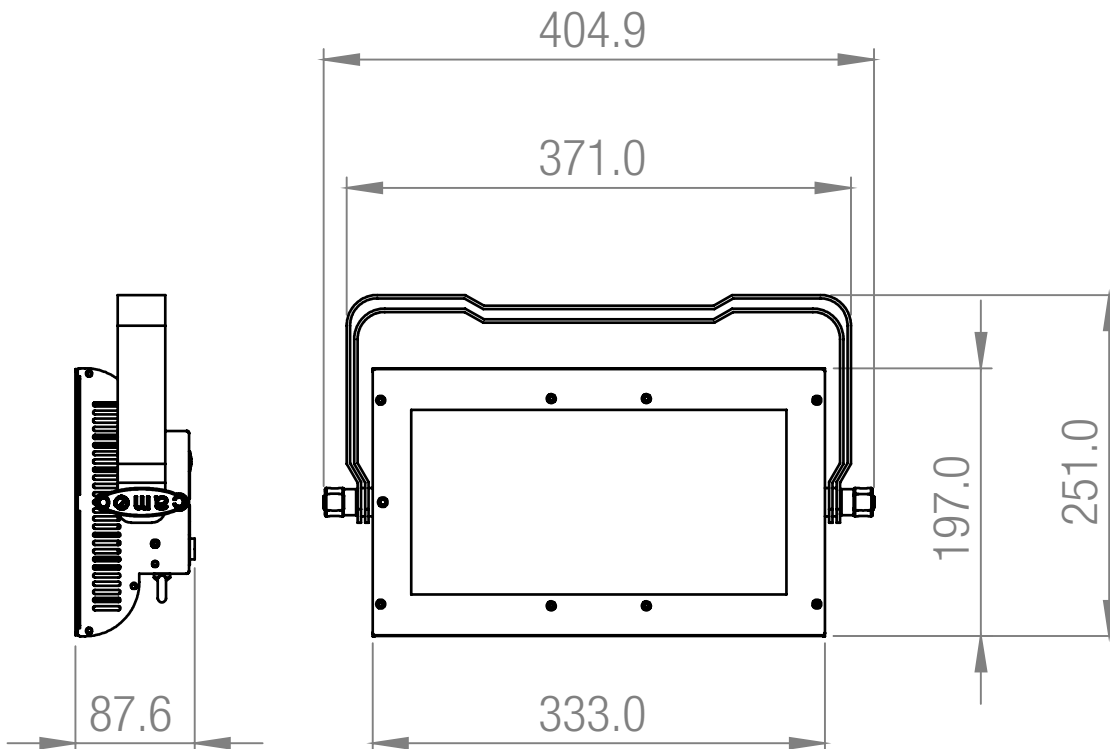


## PHOTOMETRICAL DATA



## SPECIFICATIONS

Product type	LED Strobes
Type	Strobe / Blinder / Washer
Colour spectrum	RGBW
Number of LEDs	648
LED type	0.2 W
Dispersion	104 °
Refresh rate	1 - 30 Hz
DMX input	XLR 3-pin male
DMX output	XLR 3-pin female
DMX mode	4-channel 2, 1-channel, 2-channel 1, 2-channel 2, 3-channel 1, 3-channel 2, 4-channel 1, 7-channel 1, 7-channel 2
DMX Functions	Color macro, Dimmer, Flash rate, Flash duration, sound sensitivity
Standalone modes	Dimmer Mode, sound control, Flash rate, slave mode
Controls	Mode, Enter, Value Down, Value Up
Indicators	LC display
Operating voltage	100 V AC - 240 V AC, 50 - 60 Hz
Power consumption	160 W
Power connector	Blue & White Power Twist I/O
Housing material	Metal
Cabinet color	Black
Dimensions without mounting bracket	180 W
Width	335 mm
Height	93 mm
Depth	182 mm
Weight	3.88 kg



Features and specifications  
subject to change without notice.

[adamhall.com](http://adamhall.com)