

ORON® H2

IP65 HYBRID PHOSPHOR-LASER MOVING HEAD



FEATURES

- ▶ World's first IP65 hybrid phosphor-laser moving head
- ▶ 260 W phosphor-laser-engine
- ▶ Replaces discharge lamps in the 480 watt class
- ▶ High light output: 330,000 lux at 20 m
- ▶ Zoom range: 0.6°–32°
- ▶ CMY colour mixing + linear CTO correction
- ▶ 19 fixed + 12 rotating gobos + open
- ▶ 2 effect wheels with 6 prisms, beam ovaliser and frost filter
- ▶ Flexible control via DMX/RDM, Art-Net, sACN, W-DMX, and CRMX
- ▶ Including touring case insert to protect against impacts



DESCRIPTION

FUTURE UNLOCKED: With the ORON® H2, modern lighting designers are focusing on the future of lighting technology. The world's first IP65 hybrid phosphor laser moving head is a pioneering hybrid light for all creative applications. Until now, anyone thinking of laser lights saw extremely narrow beams, but no effects, mid-air looks, or wash lights. With its exceptionally large zoom range of 0.6° to 32° for laser moving heads, the ORON® H2 covers all applications. A real game changer.

The Cameo ORON® H2 is based on a 260-watt phosphor laser engine, which acts as an energy-efficient and long-lasting replacement for discharge lamps in the 480-watt class. This makes the hybrid moving head a future-proof investment. But the ORON® H2 can do much more!

With 19 fixed and 12 rotating gobos, as well as two combinable effect wheels with six prisms, beam ovalisers, and frost filters, the laser moving head leaves nothing to be desired when it comes to creative beam design. CMY colour mixing also gives users access to the full CMY colour space including white, supplemented by linear CTO correction for precise use on stage, in TV broadcasts, and more.

Rental companies expect investment security, while lighting designers appreciate the creative diversity. But simple values also count in everyday production: the ORON® H2 is light (32 kg), compact, and enables quick and easy handling. This is due not only to the full IP65 outdoor capability, but also to the flexible control via all market-relevant protocols. For safe transport, Cameo also supplies the ORON® H2 with a customised touring case insert that protects against impact.

Features and specifications
subject to change without notice.

adamhall.com

ORON® H2

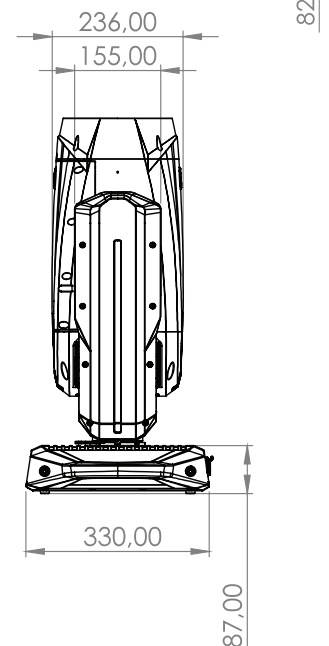
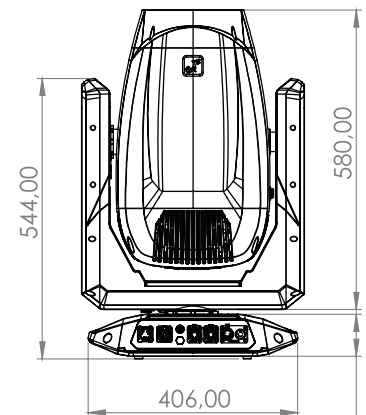
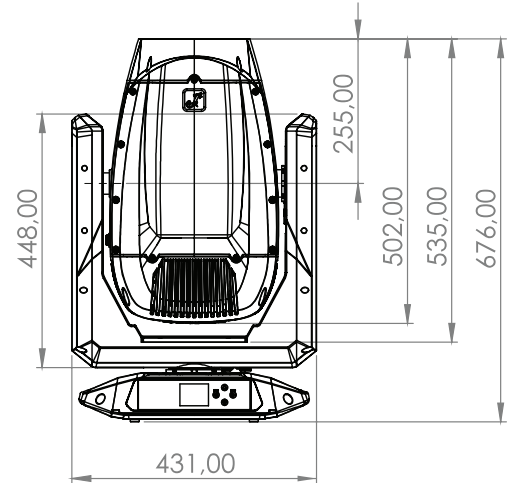
IP65 HYBRID PHOSPHOR-LASER MOVING HEAD



SPECIFICATIONS

Item number:	CLORONH2
Product type:	IP65 Phosphor Laser Moving Head
Type:	Moving Head
Source QTY:	1
Type Lightsource:	Laser Phosphor Engine 260W
Minimum Lifetime Light source (L70):	>12000h (Lifetime defined as time to 70% /L70)
Color temperature (light source):	8000K
Color temperature (output):	6500K
Colormixing:	CMY+CTO
CTO Wheel:	3000K-6500K
CRI:	68 (native) >85 with high CRI filter
Colorwheel:	19 + open and continuous positioning
Fixed Gobowheel:	19 fix + 1 open
Rotating Gobowheel:	12 rotating + 1 open
Effects:	2x prism levels (overlap) with 7x effects (1st layer: 5x prisms; 2nd layer: 1x prism, ovalizer+ 3x frost filter (light/medium/heavy)
Beam Angle:	0,6° - 32°
PAN Angle:	Adjustable: 630°/540°
TILT Angle:	270°
DMX-In:	5-pin XLR male IP65
DMX-Out:	5-pin XLR female IP65
DMX-Modes:	24-CH Basic, 27-CH Standard, 33-CH Extended
DMX Functions:	Pan/tilt, pan/tilt fine, dimmer, dimmer fine, strobo, cyan, cyan fine, magenta, magenta fine, yellow, yellow fine, linear CTO, color wheel, fixed gobo wheel, rotating gobo wheel, zoom, zoom fine, focus, focus fine, prism, prism rotation, frost, animation wheel
Standalone Functions:	TBA
Device Settings:	Display flip, display backlight on/off, signal error, pan invert, tilt invert, feedback, move in black, test, reset, user defaults, blackout functions, color/gobo wheel scroll/snap, auto lock, pan/tilt speed, lamp default, fan modes, sun protection, sleep mode
PWM:	650Hz, 1530Hz, 3600Hz, 12kHz, 18.9kHz, 25kHz
Dimmer Curves:	Exponential/Logarithmic/S-Curve/Linear
Strobe:	20Hz
Control:	DMX, RDM, Art-Net, sACN, WDMX/CRMX.
Control elements:	4-button navigation (MENU/ENTER/UP/DOWN)
Display:	Backlit 2" TFT display
Operating voltage:	100 - 240V AC / 50 - 60Hz
Inrush current:	13A/ 1ms @ 230V (frist half-cycle)
Protection class:	1
Surge protection:	>6000V
Fuse:	6,3A/250V
Power consumption:	480W
Illuminance:	330000lx @ 20m @0,6°
Power connector:	TRUE1 compatible input and output
IP-rating:	IP65
Ambient temperature in operation:	-20°C - 40°C
Housing material:	Magnalium
Housing color:	Black
Cooling:	Temperature-controlled fans
Minimum distance to the illuminated surface:	Expected 25m
Minimum distance to normally flammable materials:	Expected 0,1m
Risk Group:	3
Lens diameter:	178mm
Dimensions (W x H x D, without mounting bracket):	431mm x 676mm x 330mm
Weight:	<32 kg
Other features:	1m power cable with TRUE1 compatible plug and 2pcs Omega mounting brackets (CLOMEGABRACKET5) included
Accessories:	EPP Foam SIP Insert

DIMENSIONS (mm)



Features and specifications subject to change without notice.

adamhall.com