

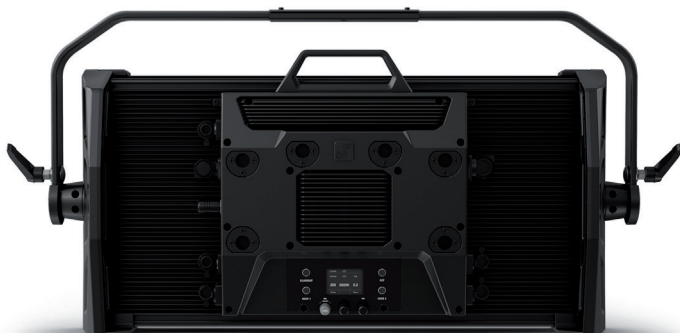
S4 IP

LED SOFTLIGHT PANEL - IP65



FEATURES

- ▶ 544 single SMD LEDs per colour (RGBWW) in 4-cluster arrangement
- ▶ Enables outdoor use thanks to IP65 classification
- ▶ Adjustable temperature range from 1,800 - 10,000 Kelvin
- ▶ Adjustable PWM frequency for flicker-free operation
- ▶ Manual operation on the unit or via EZRemote with the optional UNICON® (CLIREMOTE)
- ▶ Control options via DMX, W-DMX, ArtNet, sACN & RDM
- ▶ Ergonomic handles and recessed controls for safe handling
- ▶ High colour rendering values (CRI 95, TLCI 91), plus 85% coverage of Rec. 2020 colour space
- ▶ Optional dark filter (CLS4IPDARKFILTER) integrates the panel into any scenery
- ▶ Numerous accessory options such as Honey Combs, Intensifier, Barndoor and many more.



DESCRIPTION

Whether on a film set, in a TV studio or for live streams - with a softlight panel, people and objects can be staged with a natural, diffuse light. In addition to luminous intensity and flexible handling, natural colour rendering and flicker-free operation for the camera play a decisive role here. With the Cameo S4 IP LED Soft Panel, lighting technicians, lighting designers and content producers get a versatile professional soft light that is also completely convincing in outdoor use thanks to IP65 certification.

The compact S4 IP is based on 544 single SMD LEDs per colour (RGBWW) arranged in a cluster of 4. In combination with the integrated calibration chip, the S4 IP has an extremely natural colour rendering (CRI 95, TLCI 91) as well as an exceptional coverage of the extended Rec. 2020 colour space of 85 percent. In addition, the adjustable colour temperature with its wide range of 1,800 to 10,000 Kelvin enables use in all environments.

In the development of the S4 IP, Cameo not only placed the highest value on the inner light values of the S4 IP soft panel - the housing concept and handling are also convincing with well thought-out functions. The fixed handles on the side ensure safe and comfortable transport and allow the panel to be quickly aligned with people and objects on the set. According to the IP65 certification of the S4 IP, the soft panel has waterproof and lockable powerCON TRUE1 compatible device connectors. Control is optionally via DMX, W-DMX, ArtNet, sACN or RDM.

The operation of the S4 IP is very simple. For direct operation on the unit, the softlight panel has three push encoders, four shortcut buttons and a menu display on the back of the housing. Thanks to the recessed position of the operating unit, the S4 IP is not only protected against accidental adjustment, but also against impacts and other external influences. The panel can be controlled even more conveniently via EZRemote using the optional UNICON® DMX/RDM controller.

As lighting all-rounders, Soft Panels are used in a wide variety of environments - indoors and outdoors. To make the S4 IP the ideal, flexible companion in every situation, Cameo has not compromised on accessory options. In addition to the supplied Omega bracket and the standard diffuser, the spectrum ranges from Honey Combs with 30° and 60° beam angles to Intensifier and Heavy Diffuser to Barndoors, a Centre Mount Yoke or a V-Mount adapter for battery operation. In addition, the optional dark filter ensures inconspicuous integration in any scenery.

Features and specifications
subject to change without notice.

adamhall.com

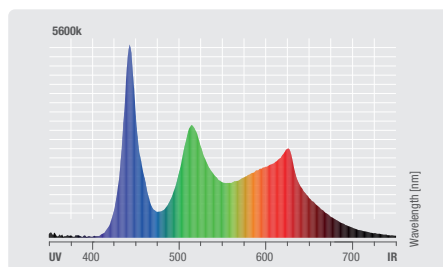
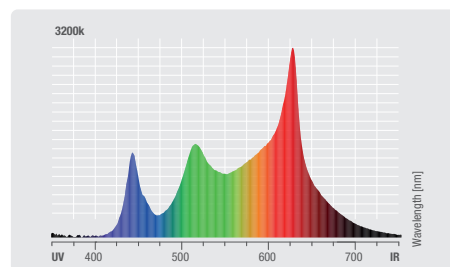
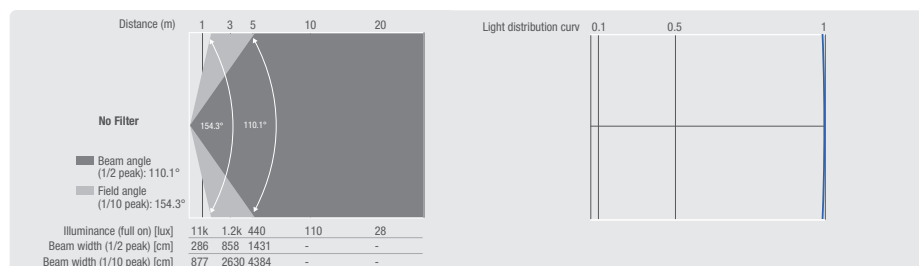
S4 IP

LED SOFTLIGHT PANEL - IP65



PHOTOMETRICAL DATA

	Luminous flux	Chromaticity coordinates	CCT	R _a
Full on	22305 lm	x 0.289 y 0.242	1800-10000K	95
Red	4770 lm	x 0.694 y 0.302		
Green	12058 lm	x 0.175 y 0.731		
Blue	1996 lm	x 0.153 y 0.032		
White	17056 lm	x 0.428 y 0.399		
3200K	19000 lm	x 0.418 y 0.392		
5600K	21000 lm	x 0.322 y 0.328		



SPECIFICATIONS

Product type	LED light panel
Type	Softlight
Colour spectrum	RGBWW
Colour gamut coverage	85%
Number of LEDs	4 x 544
LED type	0.5 W Single SMD-LEDs
LED PWM Frequency	800 Hz, 1200 Hz, 2000 Hz, 3600 Hz, 12 kHz, 18.9 kHz, 25 kHz
Inputs	5-Pol XLR, RJ45
Outputs	5-Pol XLR, RJ45
DMX Functions	Colour presets, Colour presets Crossfade, Colour temperature correction, Device Settings, Dimmer, Effect Macro, Effect Macro Speed, Hue Saturation, RGBWW, strobe, Warm White, X & Y coordinates
Control protocols	ArtNet, DMX512, RDM, sACN, W-DMX
Standalone modes	CCT, Direct, GEL, HSI, Light simulation, Loop, User Colours, X & Y coordinates
Controls	3 x Push-Encoder, 4 x Shortcut-Button
Operating voltage	100 V AC - 240 V AC, 50 - 60 Hz
Power consumption	460 W
Power connector	TRUE1 Compatible Power I/O Socket
Battery operating voltage	23 - 36 V
Housing material	Metal
Cabinet colour	Black
Protection class IP	IP65
Cooling	temperature-controlled fan
Luminous flux	27000 lm

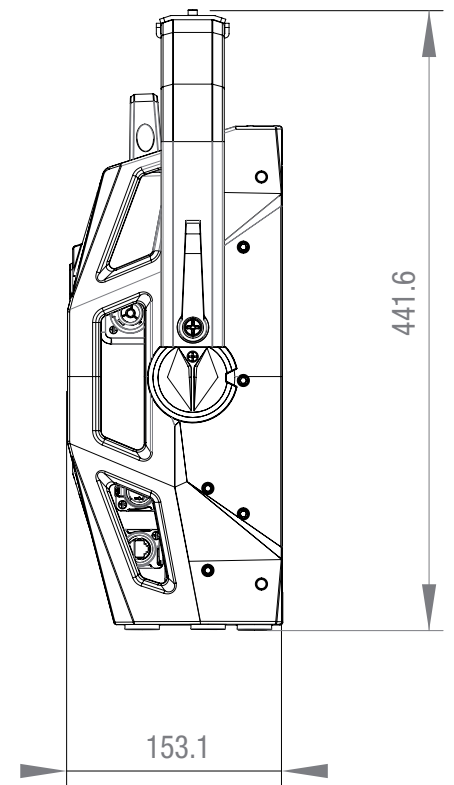
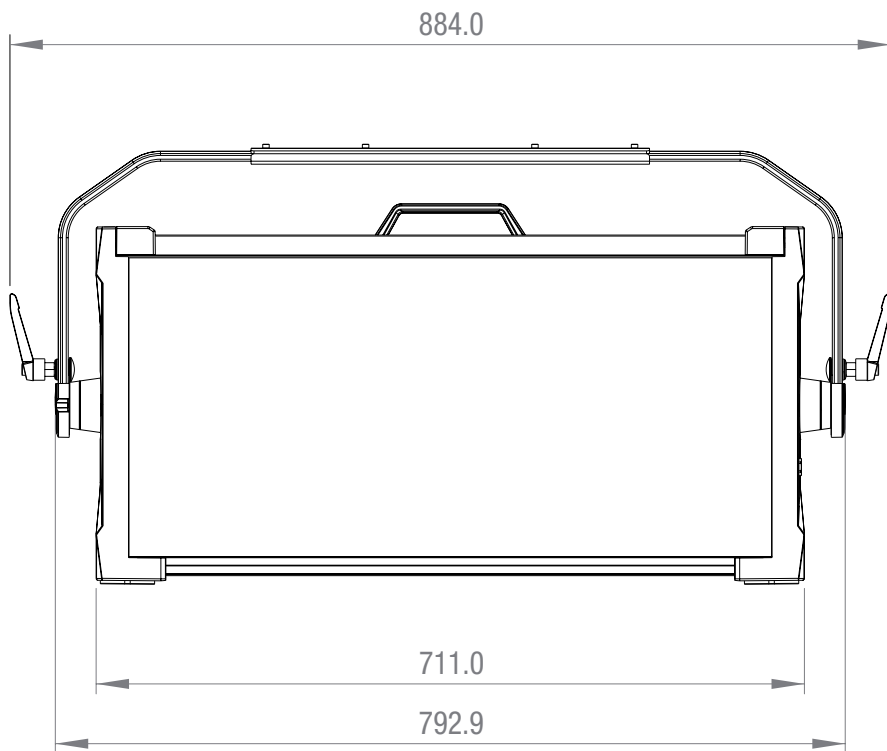
S4 IP

LED SOFTLIGHT PANEL - IP65



Color temperature	1800 - 10000 K
CRI	95
TLCI	91
Ambient temperature (operating)	-15 - 45 °C
Width	743 mm
Height	381 mm
Length	153 mm
Weight	16.4 kg
Accessories (included)	1 x omega mounting, 1 x standard diffuser

DIMENSIONS (mm)



Features and specifications
subject to change without notice.

adamhall.com