

F2 T PO

POLE-OPERATED FRESNEL SPOTLIGHT WITH TUNGSTEN LED



DESCRIPTION

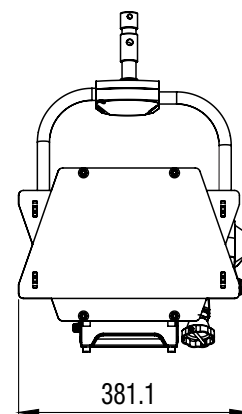
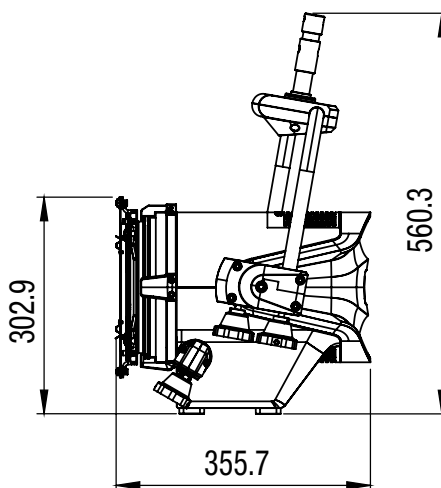
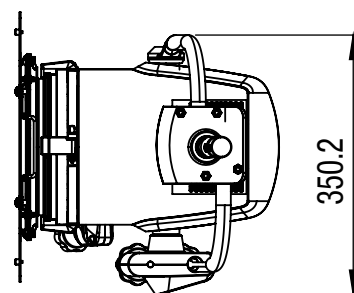
Energy saving par excellence - Cameo F2 T PO now even simpler to operate

Looking for a professional Fresnel spotlight with a high-quality 200 mm lens and a high luminous flux of 12,500 lm? The Cameo F2 T PO is your perfect choice. Now also with pole operation: The Cameo F2 T PO is perfect for anyone who prefers precise manual adjustment from the ground and is unable or unwilling to use a ladder. The RDM-enabled spotlight creates a soft edged beam of light with a continuously adjustable beam angle of 15° to 40°. It's the perfect, energy-saving replacement for traditional 1-kW Fresnel models. Its 240-watt daylight LED has a colour temperature of 3,200 K and a service life of 50,000 hours. Its extremely high colour rendering index of 97 reproduces pure and natural colours.

The F2 T PO has 6 DMX control modes, a fast strobe function and four 16-bit dimmer curves with adjustable response. Six selectable pulse width modulation frequencies up to 25 kHz ensure flicker-free operation. High-efficiency heatpipe cooling and a temperature-controlled fan provide optimal operation. The robust, die-cast aluminium housing is equipped with a rotary encoder and OLED display for easy configuration of the spotlight. 5-pin DMX connectors and Power Twist mains sockets facilitate simple daisy-chaining. 8-way barn door, a gel frame and mains cable are included.

FEATURES

- ✓ Natural colour reproduction CRI 96, TLCI 97
- ✓ Continuous zoom for beam angles from 15° to 40°
- ✓ Four selectable 16-bit dimmer curves with adjustable response
- ✓ Optimised operation via high efficiency heatpipe cooling and temperature-controlled fan
- ✓ RDM enabled
- ✓ Selectable pulse width modulation frequencies up to 25 kHz
- ✓ Flicker-free and silent operation, ideal for TV, film and theatre
- ✓ 8-way barn door and gel frames included



Features and specifications subject to change without notice.

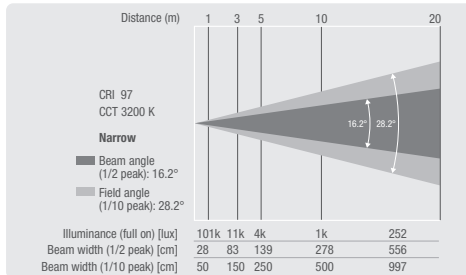
adamhall.com

F2 T P0

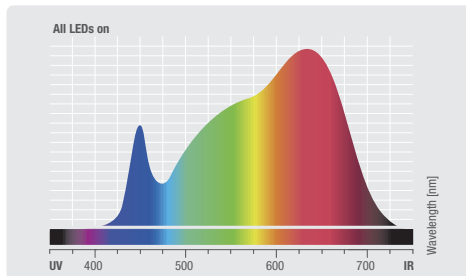
POLE-OPERATED FRESNEL SPOTLIGHT WITH TUNGSTEN LED



PHOTOMETRICAL DATA



Luminous flux	Chromaticity coordinates	
All LEDs on 12500 lm	x 0.423	y 0.397



SPECIFICATIONS

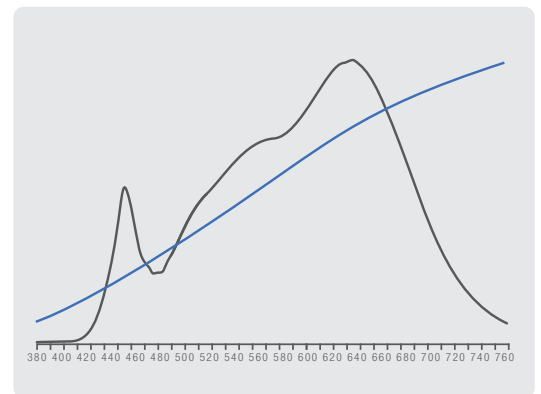
Product type	LED Fresnel Spotlight
Type	Theater Fresnel
Colour spectrum	Tungsten, warm white
Number of LEDs	1
LED type	240 W (ca. 50,000 Operating Hours)
LED PWM Frequency	Adjustable: 800 Hz, 1200 Hz, 2000 Hz, 3600 Hz, 12000 Hz, 25000
Dispersion	Beam Angle: 15° - 40°, Field Angle: 28° - 60°
Lens	200 mm Fresnel
DMX input	5-Pol
DMX output	5-Pol
DMX mode	1-channel, 2-channel 1, 2-channel 2, 3-channel, 4-channel, 5-channel
DMX Functions	Device Settings, Dimmer, Dimmer Curve, Dimmer Fine, strobe
Standalone modes	Master / Slave mode, Static
Controls	Master / Slave mode, Static
Indicators	OLED Display
Operating voltage	100 V AC - 240 V AC, 50 - 60 Hz
Power consumption	210 W
Power Factor	0.94 / 240 V, 0.99 / 120 V
Power connector	TRUE1 compatible Power I/O sockets
Housing material	die-cast aluminum
Cabinet colour	Black
Protection class IP	IP20
Cooling	Combination of heat pipe and temperature controlled fan
Luminous flux	12500 lm
Efficiency	57 lm/W
Colour temperature	3200 K
Operating Temperature	-15 - 45 °C
Dimensions including Mounting Bracket	
Width	357 mm
Height	573 mm
Length	322 mm
Weight	11,6 kg
Accessories (included)	8-way barndoor, gel frame, Power cord

Television Lighting Consistency Index-2012

CCT = P3193 (-0.1)
TLCI-2012: 97 (P3193)



Sector	Lightness	Chroma	Hue
R	0	0	0
R/Y	0	0	0
Y	0	0	0
Y/G	0	0	0
G	0	0	0
G/C	0	0	+
C	0	0	+
C/B	0	0	0
B	0	-	0
B/M	0	0	+
M	0	0	+
M/R	0	0	0



Features and specifications subject to change without notice.

adamhall.com