

USER'S MANUAL  
BEDIENUNGSANLEITUNG  
MANUEL D'UTILISATION  
MANUAL DE USUARIO  
INSTRUKCJA OBSŁUGI  
MANUALE D' USO



# PIXBAR® G2

IP65 LED BAR

CLPB400IPG2 (RGBW) / CLPB600IPG2 (RGBWAUV)

# **CONTENTS / INHALTSVERZEICHNIS / CONTENU / CONTENIDO / TREŚĆ / CONTENUTO**

## **ENGLISH**

INFORMATION ON THIS USER MANUAL	6
INTENDED USE	6
DEFINITIONS AND SYMBOLS	6
SAFETY INSTRUCTIONS	7
NOTES ON PORTABLE OUTDOOR DEVICES	11
PACKAGING CONTENT	11
INTRODUCTION	11
CONNECTIONS, OPERATING AND DISPLAY ELEMENTS	13
OPERATION	14
INSTALLATION	26
FROST FILTER	31
GLARE SHIELD	31
CARE, MAINTENANCE AND REPAIR	32
OPTIONAL ACCESSORIES	33
DIMENSIONS	34
TECHNICAL DATA	35
EXPLANATIONS ON IP RATING	37
MINIMUM DISTANCE TO ILLUMINATED SURFACE	38
MINIMUM DISTANCE TO NORMALLY FLAMMABLE MATERIALS	38
DISPOSAL	38
MANUFACTURER'S DECLARATIONS	38

## **DEUTSCH**

INFORMATIONEN ZU DIESER BEDIENUNGSANLEITUNG	41
BESTIMMUNGSGEMÄSSER GEBRAUCH	41
BEGRIFFS- UND SYMBOLERKLÄRUNGEN	41
SICHERHEITSHINWEISE	42
HINWEISE FÜR ORTSVERÄNDERLICHE OUTDOOR-GERÄTE	46
LIEFERUMFANG	46
EINFÜHRUNG	46
ANSCHLÜSSE, BEDIEN- UND ANZEIGEELEMENTE	48
BEDIENUNG	49
MONTAGE	63
FROSTFILTER	68
BLENDSCHUTZ	68
PFLEGE, WARTUNG UND REPARATUR	69

OPTIONALES ZUBEHÖR	70
ABMESSUNGEN	71
TECHNISCHE DATEN	72
ERLÄUTERUNGEN ZUR IP-SCHUTZART	74
MINDESTABSTAND ZUR BELEUCHTETEN FLÄCHE	75
MINDESTABSTAND ZU NORMAL ENTFLAMMBAREN MATERIALIEN	75
ENTSORGUNG	75
HERSTELLERERKLÄRUNGEN	76

## **FRANÇAIS**

INFORMATIONS SUR CE MANUEL D'UTILISATION	77
UTILISATION PRÉVUE	77
DÉFINITIONS ET EXPLICATION DES PICTOGRAMMES	77
CONSIGNES DE SÉCURITÉ	78
NOTES SUR LES APPAREILS PORTABLES POUR EXTÉRIEUR	82
CONTENU DU CARTON	82
INTRODUCTION	83
CONNECTEURS, UTILISATION ET INDICATEURS	84
FONCTIONNEMENT	85
MONTAGE	99
FILTRE FROST	104
ÉCRAN ANTI-ÉBLOUISSEMENT	104
ENTRETIEN, MAINTENANCE ET RÉPARATIONS	105
ACCESSOIRES EN OPTION	106
DIMENSIONS (mm)	107
CARACTÉRISTIQUES TECHNIQUES	108
EXPLICATION DE LA CLASSE DE PROTECTION IP	110
DISTANCE MINIMALE PAR RAPPORT À LA SURFACE ÉCLAIRÉE	111
DISTANCE MINIMALE PAR RAPPORT AUX MATÉRIAUX NORMALEMENT	111
INFLAMMABLES	111
MISE AU REBUT	112
DÉCLARATIONS DU FABRICANT	112

## **ESPAÑOL**

INFORMACIÓN SOBRE ESTE MANUAL DE USUARIO	114
USO ADECUADO	114
DEFINICIONES Y EXPLICACIONES DE LOS SÍMBOLOS	114

## **CONTENTS / INHALTSVERZEICHNIS / CONTENU / CONTENIDO / TREŚĆ / CONTENUTO**

INSTRUCCIONES DE SEGURIDAD	115
INDICACIONES PARA EQUIPOS PORTÁTILES DE EXTERIOR	119
ELEMENTOS SUMINISTRADOS	119
INTRODUCCIÓN	120
CONEXIONES, CONTROLES E INDICADORES	121
OPERACIÓN	122
MONTAJE	135
FILTRO FROST	140
PROTECCIÓN ANTIRREFLEJO	140
CUIDADO, MANTENIMIENTO Y REPARACIÓN	141
ACCESORIOS OPCIONALES	142
DIMENSIONES	143
CARACTERÍSTICAS TÉCNICAS	144
EXPLICACIÓN SOBRE LA CLASE DE PROTECCIÓN IP	146
DISTANCIA MÍNIMA A LA SUPERFICIE ILUMINADA	147
DISTANCIA MÍNIMA A MATERIALES NORMALMENTE INFLAMABLES	147
ELIMINACIÓN	147
DECLARACIÓN DEL FABRICANTE	148

### **POLSKI**

INFORMACJE NA TEMAT NINIEJSZEJ INSTRUKCJI OBSŁUGI	149
ZAMIERZONE ZASTOSOWANIE	149
DEFINICJE I OBJAŚNIENIA SYMBOLI	149
INSTRUKCJE BEZPIECZEŃSTWA	150
UWAGI DOTYCZĄCE PRZENOŚNYCH URZĄDZEŃ ZEWNĘTRZNYCH	154
ZAKRES DOSTAWY	154
WPROWADZENIE	155
PRZYŁĄCZA, ELEMENTY OBSŁUGI I WSKAŹNIKI	156
OBSŁUGA	157
INSTALACJA	171
FILTR FROST	177
OCHRONA PRZECIWODBLASKOWA	177
PIELĘGNACJA, KONSERWACJA I NAPRAWA	178
AKCESORIA OPCJONALNE	179
WYMIARY	180
DANE TECHNICZNE	181
WYJAŚNIENIE KLASY OCHRONY IP	183



MINIMALNA ODLEGŁOŚĆ OD OŚWIETLANEJ POWIERZCHNI	184
MINIMALNA ODLEGŁOŚĆ OD NORMALNIE ŁATWOPALNYCH MATERIAŁÓW	184
UTYLIZACJA	184
DEKLARACJE PRODUCENTA	185

## **ITALIANO**

INFORMAZIONI SU QUESTO MANUALE D'ISTRUZIONI	186
USO CONFORME	186
SPIEGAZIONE DI TERMINI E SIMBOLI	186
INDICAZIONI SULLA SICUREZZA	187
AVVERTENZE PER DISPOSITIVI PORTATILI PER ESTERNI	191
DOTAZIONE	191
INTRODUZIONE	191
CONNESSIONI, ELEMENTI DI COMANDO E INDICATORI	193
UTILIZZO	194
MONTAGGIO	208
FILTRO FROST	213
PROTEZIONE ANTIRIFLESSO	213
CURA, MANUTENZIONE E RIPARAZIONE	214
ACCESSORI OPZIONALI	215
DIMENSIONI (mm)	216
DATI TECNICI	217
SPIEGAZIONI SULLA CLASSE DI PROTEZIONE IP	219
DISTANZA MINIMA DALLA SUPERFICIE ILLUMINATA	220
DISTANZA MINIMA DA MATERIALI NORMALMENTE INFIAMMABILI	220
SMALTIMENTO	220
DICHIARAZIONI DEL FABBRICANTE	221

DMX CONTROL / DMX STEUERUNG / PILOTAGE DMX /	
CONTROL DMX / STEROWANIE DMX / CONTROLLO DMX : PB 400 IP G2	222
: PB 600 IP G2	253

## ENGLISH

You have made the right choice!

This device has been developed and manufactured to the highest quality standards to ensure many years of problem-free operation. Please read this user manual carefully to be able to use your new Cameo product quickly and optimally. Further information about Cameo Light is available on our website **CAMEOLIGHT.COM**.

### INFORMATION ON THIS USER MANUAL

- Carefully read the safety instructions and the entire manual before operating the device.
- Observe the warnings on the device and in the user manual.
- Always keep the user manual within reach.
- If you sell or pass on the device, it is important that you also include this user manual, as it is an integral part of the product.

### INTENDED USE

The product is a device for event technology!

This product has been developed for professional use in the field of event technology and is not suitable for use as domestic lighting!

Furthermore, this product is only intended for qualified users with specialist knowledge of event technology!

Use of the product outside the specified technical data and operating conditions is considered improper use!

Liability for damage and third-party damage to persons and property due to inappropriate use is excluded!

The product is not suitable for:

- Use by persons (including children) with limited physical, sensory or mental abilities or lack of experience and knowledge.
- Children (children must be instructed not to play with the device).

### DEFINITIONS AND SYMBOLS

1. **DANGER:** The word DANGER, possibly in combination with a symbol, indicates immediately dangerous situations or conditions for life and limb.
2. **WARNING:** The word WARNING, possibly in combination with a symbol, indicates potentially dangerous situations or conditions for life and limb.
3. **CAUTION:** The word CAUTION, possibly in combination with a symbol, is used to indicate situations or conditions that may lead to injury.
4. **ATTENTION:** The word ATTENTION, possibly in combination with a symbol, refers to situations or states that can lead to damage to property and/or the environment.



This symbol identifies hazards that can cause electric shock.



This symbol identifies hazardous areas or hazardous situations.



This symbol indicates hazards caused by hot surfaces.



This symbol indicates hazards caused by intense light sources.



This symbol indicates a device in which there are no user-replaceable parts.



This symbol indicates additional information on the operation of the product.

## SAFETY INSTRUCTIONS



### **DANGER:**

1. Do not open or modify the unit.
2. If your device no longer functions properly, if liquids or objects get inside it or if it has been damaged in any other way, switch it off immediately and disconnect it from the mains. The device may be repaired only by authorised repair technicians.
3. For devices of protection class 1, the protective conductor must be connected correctly. Never disconnect the protective conductor. Devices of protection class 2 do not have a protective conductor.
4. Ensure that live cables are not kinked or otherwise mechanically damaged.
5. Never bypass the unit fuse.



### **WARNING:**

1. The device may not be operated if it shows obvious signs of damage.
2. The device may only be installed in a voltage-free state.
3. If the power cable of the device is damaged, do not operate the device.
4. Permanently connected power cables may only be replaced by a qualified person.

**ATTENTION:**

1. Do not operate the unit if it has been exposed to large temperature fluctuations (for example, after transport). Moisture and condensation can damage the device. Switch on the device only when it has reached room temperature.
2. Make sure that the voltage and frequency of the mains supply correspond to the values indicated on the unit. If the device has a voltage selector switch, do not connect the device until it has been set correctly. Use only suitable power cables.
3. To disconnect the unit from the mains at all poles, it is not sufficient to press the on/off switch on the unit.
4. Make sure that the fuse used corresponds to the type printed on the unit.
5. Make sure that appropriate measures have been taken against overvoltage (e.g. lightning strike).
6. Observe the specified maximum output current on units with Power Out connection. Ensure that the total current consumption of all connected devices does not exceed the specified value.
7. Replace pluggable mains cables only with original cables.

**DANGER:**

1. Danger of suffocation! Plastic bags and small parts must be kept out of reach of persons (including children) with reduced physical, sensory or mental capabilities.
2. Danger from falling down! Make sure that the device is securely installed and will not fall down. Only use suitable stands or mounts (particularly for fixed installations). Ensure that accessories are properly installed and secured. Ensure that applicable safety regulations are observed.

**WARNING:**

1. Use the device only in the manner intended.
2. Operate the device only with the accessories recommended and intended by the manufacturer.
3. During installation, observe the safety regulations applicable in your country.
4. After connecting the unit, check all cable routes to avoid damage or accidents, e.g. due to tripping hazards.
5. Always observe the specified minimum distance to normally flammable materials! Unless explicitly stated, the minimum distance is 0.3 m.
6. Always observe the minimum distance to the illuminated surface that can be read on the device!

**CAUTION:**

1. In the case of moving components such as mounting brackets or other moving components, there is a possibility of jamming.
2. In the case of units with motor-driven components, there is a risk of injury from the movement of the unit. Sudden movement of the device can cause shock reactions.
3. The housing surface of the device can become very hot during regular operation. Ensure that accidental touching of the housing is not possible. Always allow the lamp to cool sufficiently before removal, maintenance work and charging etc.

**ATTENTION:**

1. Do not install or operate the device near any radiators, heat registers, stoves or other heat sources. Ensure that the device is always installed in such a way that it is sufficiently cooled and cannot overheat.
2. Do not place ignition sources such as burning candles near the device.
3. Ventilation openings must not be covered and fans must not be blocked.
4. Use the original packaging or packaging provided by the manufacturer for transport.
5. Avoid shock or impact to the unit.
6. Observe the IP rating as well as the ambient conditions such as temperature and humidity according to the specification.
7. Devices can be constantly further developed. In the event of deviating information on operating conditions, performance or other device properties between the user manual and the device labelling, the information on the device always takes priority.
8. The unit is not suitable for tropical climates and for operation above 2000 m above sea level.
9. Unless explicitly stated, the unit is not suitable for operation in marine conditions .

**PLEASE NOTE:**

For conversion or retrofit sets or accessories provided by the manufacturer, it is essential to observe the instructions included.

**CAUTION! IMPORTANT INFORMATION REGARDING LIGHTING PRODUCTS!**

1. Never look directly into the beam of light, not even for a short period of time.
2. Never look into the beam of light using optical devices such as a magnifying glass.



3. Stroboscopic effects may cause epileptic seizures in susceptible individuals!



4. Permanently installed lamps are built into these lighting units. These may not be replaced by the user. In the event of a fault, please contact your distribution partner.



## **SIGNAL TRANSMISSION AND CONTROL BY RADIO**

### **(e.g. W-DMX or audio radio systems, Bluetooth):**

The quality and performance of wireless signal transmissions generally depends on the ambient conditions.

The following factors can impact range and signal stability, for example:

Shielding (e.g. masonry, metal structures, water)

High volumes of radio traffic (e.g. powerful wireless LAN networks)

Interference

Electromagnetic radiation (e.g. LED video screens, dimmers)

All range specifications refer to free-field application with visual contact and without interference!

The operation of transmission systems is subject to official regulations. These may vary from region to region and must be checked by the operator before use (e.g. radio frequency and transmission power).



**WARNING:** Devices with wireless signal transmission are not suitable for use in sensitive areas in which radio operation can lead to potential detrimental effects. These include e.g.:

- Hospitals, health centres or other healthcare facilities that provide patient treatment with skilled personnel and equipment.
- Hazardous areas Class I, II and III
- Restricted areas
- Military facilities
- Aircraft or vehicles
- Areas where the use of mobile phones is prohibited



### **TRANSMISSION VIA W-DMX**

**WARNING:** In general, wireless DMX transmission must not be used for applications with safety-related factors that could result in personal injury or property damage in the event of failure.

This applies in particular to moving scene or traverse structures, DMX-controlled motors/lifts or lifting devices for operating DMX-operated platform lifts, hydraulic systems or comparable moving components.

Furthermore, wireless DMX transmission must not be used to trigger flame or pyrotechnic devices, explosion-driven effects, or to control gas or liquid effects. These include e.g. CO2 cannons, confetti shooters, water effects or similar.



## NOTES ON PORTABLE OUTDOOR DEVICES

1. Temporary operation! Event equipment is generally only designed for temporary operation.
2. Continuous operation or permanent structural installation – particularly outdoors – can impair the function, surfaces and seals and accelerate material fatigue.
3. Damage to the surface coating can impair the device's corrosion protection. Damaged surface coating (e.g. scratches) must be promptly repaired by suitable measures.

## PACKAGING CONTENT

Remove the product from the packaging and remove all packaging material. Please check the completeness and integrity of the delivery and notify your distribution partner immediately after purchase if the delivery is not complete or if it is damaged.

Included with the CLPB400IPG2 product are:

- ▶ 1 x PIXBAR® 400 IP65 G2 RGBW spotlights
- ▶ 2 sliding mounting feet with folding SPIN16® mounting spigot (pre-assembled)
- ▶ 1 x standard frost filter
- ▶ 1 x glare shield
- ▶ 1 x power cable
- ▶ User manual

Included with the CLPB600IPG2 product are:

- ▶ 1 x PIXBAR® 600 IP65 G2 RGBWAUV spotlights
- ▶ 2 sliding mounting feet with folding SPIN16® mounting spigot (pre-assembled)
- ▶ 1 x standard frost filter
- ▶ 1 x glare shield
- ▶ 1 x power cable
- ▶ User manual

## INTRODUCTION

### PIXBAR® 400 IP G2 Outdoor Spotlights

CLPB400IPG2 with 16 4in1 RGBW LEDs

### PIXBAR® 600 IP G2 Outdoor Spotlights

CLPB600IPG2 with 16 6in1 RGBWAUV LEDs

**CONTROL FUNCTIONS:****CLPB400IPG2**

1-channel, 3-channel Preset, 4-channel Direct, 7-channel Direct Control, 8-channel 16-bit, 10-channel Direct CCT, 11-channel Effect Pattern, 16-channel Wash, 36-channel Pattern, 48-channel Pixel RGB, 64-channel Pixel, 68-channel Pixel Dim, D2-channel, D4-channel Preset and D7-channel Direct DMX Control

**CLPB600IPG2**

1-channel, 3-channel Preset, 6-channel Direct, 9-channel Direct Control, 12-channel 16-bit, 12-channel Direct CCT, 13-channel Effect Pattern, 20-channel Wash, 44-channel Pattern, 48-channel Pixel RGB, 96-channel Pixel, 100-channel Pixel Dim, D2-channel, D4-channel Preset and D9-channel Direct DMX Control

RDM

W-DMX™

Master/Slave modes

Stand-alone functions

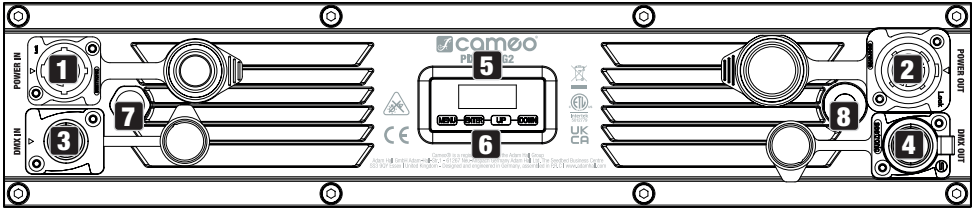
**FEATURES:**

- IP65 Rating
- Convection cooling
- Operating voltage: 100 - 240 VAC

The spotlights feature the RDM standard (remote device management). This remote device management enables the status query and configuration of RDM end devices via an RDM-capable controller, such as the optionally available Cameo UNICON (item number CLIREMOTE). The Cameo UNICON also allows access to the entire spotlight menu.



## CONNECTIONS, OPERATING AND DISPLAY ELEMENTS



- The CLPB400IPG2 and CLPB600IPG2 models feature identical connections, operating and display elements -

### 1 POWER IN

IP65 mains input socket with rubber sealing cap (TRUE1 compatible). Operating voltage 100 - 240 VAC / 50 - 60 Hz. Connection via supplied power cable (when not in use, always close with rubber sealing cap).

### 2 POWER OUT

IP65 mains output socket with rubber sealing cap (TRUE1 compatible). Facilitates power supply to other CAMEO spotlights. Ensure that the total current consumption of all connected devices does not exceed the value specified on the device in amperes (A) (when not in use, always close with the rubber sealing cap).

### 3 DMX IN

Male IP65 5-pin XLR socket for connecting a DMX control device (e.g. DMX console, when not in use always close with the rubber sealing cap).

### 4 DMX OUT

Female IP65 5-pin XLR socket for sending DMX control signal (when not in use, always close with the rubber sealing cap).

### 5 OLED DISPLAY

The OLED display shows the currently activated operating mode or the current DMX address (main display), the menu items in the menu and the numerical value or operating mode in certain menu items.

### 6 TOUCH-SENSITIVE CONTROLS

**MENU**- Press MENU to access the main menu. Press again or repeatedly to return to the main display.

**UP** and **DOWN** – Select the menu items in the main menu (DMX address, operating mode, etc.)

and in the sub-menus using UP and DOWN. Change value or status in a menu item, e.g. DMX address. To quickly change a value, such as the DMX start address, press and hold UP or DOWN.

**ENTER** – Press ENTER to access the menu level to make value or status changes, and to access one of the sub-menus. Confirm value or status changes by pressing ENTER.



**PLEASE NOTE:**

- Before navigating the unit menu, make sure that the control panel is dry and clean so that its functionality is not impaired.
- Water on the control unit can lead to incorrect operation of the spotlight, e.g. in outdoor operation. Therefore, after configuring the spotlight, activate the lock function to prevent incorrect operation by water (Settings -> Display -> Autolock).

## **7 PRESSURE EQUALISATION ELEMENT**

Pressure equalisation element to prevent condensation inside the housing. In order to ensure its proper function, the element must be protected from contamination.

## **8 W-DMX™ ANTENNA**

Antenna for control via W-DMX™.



**ATTENTION:** To ensure IP65 splash resistance for the DMX and network sockets, the special input and output sockets must be correctly sealed with the IP65 special plugs or the rubber sealing caps must be used for sealing. When connected correctly, or when sealed correctly with the rubber sealing caps, the POWER IN and POWER OUT sockets are protected from spraying water, as in accordance with IP65.

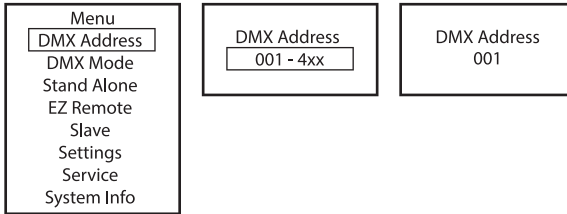
## **OPERATION**

### **NOTE**

- As soon as the spotlight is correctly connected to the power supply, the following are displayed in succession: “Update wait ...” (for service purposes only), “Welcome to Cameo”, the model name and the software version. After this process, the spotlight is ready for operation and the previously activated operating mode is launched.
- If there is no input for approx. 30 seconds, the display automatically returns to the main display.
- Note on the main display in the operating modes with external control: As soon as the control signal is interrupted, the characters in the display start flashing; if the control signal is present again, the flashing stops.
- Briefly pressing UP when in the main display rotates the display by 180°.

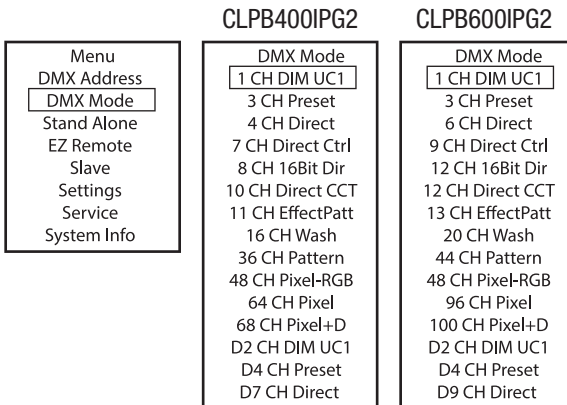
## SETTING DMX START ADDRESS (DMX address)

Starting from the main display, press MENU to enter the main menu. Now use UP and DOWN to select the menu item **DMX Address** and confirm with ENTER. Using the UP and DOWN buttons, configure the desired DMX start address and press ENTER to confirm (highest value dependent upon activated DMX mode).



## CONFIGURING DMX MODE (DMX Mode)

Starting from the main display, press MENU to enter the main menu. Now use UP and DOWN to select the menu item **DMX Mode** and confirm with ENTER. Now select the desired DMX mode using UP and DOWN and confirm the selection with ENTER. DMX operating modes with DMX delay channel and group selection (Group 0 - 24) are marked with "D". Tables with the channel assignments can be found in these instructions under DMX CONTROL.

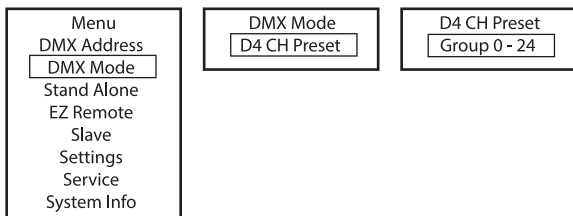


## DMX modes with DMX delay channel

The DMX Delay function is a simple way to create a running light effect with a large number of spotlights that are all the same model and that are all running the same software version. This is otherwise only achievable with a suitable DMX controller and time-consuming programming. All the spotlights used (same models, same software version) are set to the same DMX operating mode with DMX delay channel and controlled via the same DMX start address.

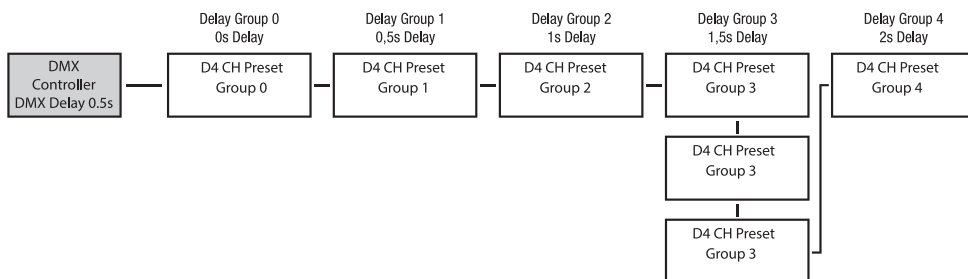
Setting the DMX delay: Select one of the DMX operating modes with DMX delay channel and confirm the selection (in the example D4 CH Preset). Assign the spotlights to one of up to 24 groups (plus Group 0) according to preference, whereby several spotlights can be assigned to one

group. The group number is also the factor by which the set delay time set in the DMX controller is multiplied. Confirm each entry by pressing ENTER.



The delay time (delay time of the DMX signal) is set by means of a DMX controller in the separate DMX delay channel of the corresponding DMX mode (0.0s to 2.0s in 0.1s increments).

Setup example:



## STAND-ALONE MENU MASTER / ALONE

In the stand-alone modes Direct LED, Color Preset, CCT, HSI, Auto Program and Play Loop, the control signal of the corresponding mode can be output to slave units via XLR (DMX OUT) and W-DMX™:

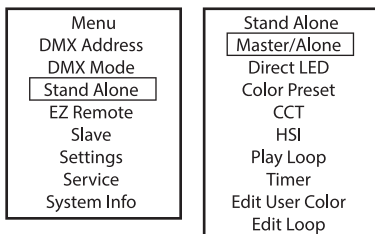
Stand Alone -> Master/Alone -> Master

If the output of the control signal is not desired, the output can be deactivated:

Stand Alone -> Master/Alone -> Alone

A delay for slave units can be set for the time-delayed output of the control signal of the stand-alone modes Auto Program and Play Loop.

Starting from the main display, press MENU to enter the main menu. Now select the **Stand Alone** menu item, confirm, select **Master/Alone** and confirm again.



This will take you to the submenu for configuring the submenu items (see table).

Master	Send to XLR		Control signal is forwarded via DMX OUT
	Send to W-DMX	On	Activate DMX control signal forwarding via W-DMX
		Off	Deactivate sending of the DMX control signal via W-DMX
		Force to pair	Pairing with ready-to-pair W-DMX devices
		Unlink All	Disconnect all W-DMX connections
	DMX Delay	Set DMX delay for slave units: Off, 0.1s - 2.0s	
Alone			Do not forward control signal

## STAND-ALONE DIRECT LED MODE

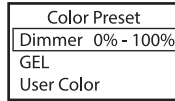
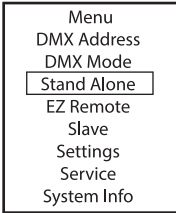
The stand-alone Direct LED mode allows dimmer, strobe, R, G, B and W (CLPB400IPG2) or R, G, B, W, A and UV (CLPB600IPG2) to be set directly on the unit, similar to a DMX controller. In this way, an individual scene can be created without an additional DMX controller.

Starting from the main display, press MENU to enter the main menu. Use UP and DOWN to select **Stand Alone**, confirm with ENTER, then select **Direct LED** and confirm again with ENTER. Now select the menu item you want to edit, confirm the selection, set the desired value and confirm the entry.

Menu DMX Address DMX Mode <b>Stand Alone</b> EZ Remote Slave Settings Service System Info	Stand Alone Master/Alone <b>Direct LED</b> Color Preset CCT HSI Play Loop Timer Edit User Color Edit Loop	CLPB400IPG2 Direct LED Dimmer 0% - 100% Red 0% - 100% Green 0% - 100% Blue 0% - 100% White 0% - 100%	CLPB600IPG2 Direct LED Dimmer 0% - 100% Red 0% - 100% Green 0% - 100% Blue 0% - 100% White 0% - 100% Amber 0% - 100% UV 0% - 100%
---	--	--	---

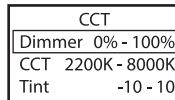
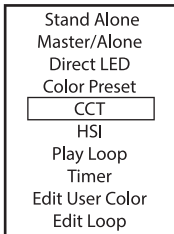
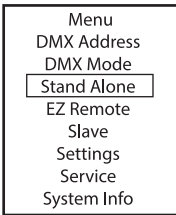
## COLOUR PRESET STAND-ALONE MODE

49 different colour presets plus eight individually adjustable user presets (see **Edit User Color**) are available. The brightness can be set at a higher level. Starting from the main display, press MENU to enter the main menu. Use UP and DOWN to select the menu item **Stand Alone**, confirm the selection, then select **Color Preset** and confirm again with ENTER. Now select **GEL** or **User Color** and confirm the selection. The desired preset can now be selected, confirm the selection. Now select **Dimmer** (brightness), confirm the selection and make the settings as desired. Confirm the entry.



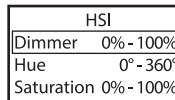
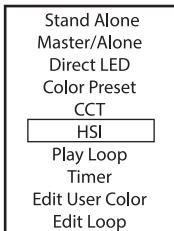
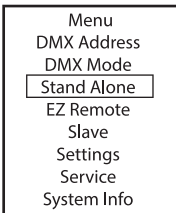
## CCT STAND-ALONE MODE (Correlated Colour Temperature)

In stand-alone CCT mode, the colour temperature can be adjusted in 100K steps from 2200K to 8000K, plus the hue (tint) and brightness (dimmer). Starting from the main display, press MENU to enter the main menu. Use UP and DOWN to select the **Stand Alone** menu item, confirm the selection, then select **CCT** and confirm again with ENTER. Now select the menu item you want to edit, confirm the selection and make the settings as desired. Confirm the entry.



## STAND-ALONE MODE HSI (Hue - Saturation - Intensity)

In the stand-alone HSI mode, the hue, saturation and brightness can be adjusted separately as desired. Starting from the main display, press MENU to enter the main menu. Use UP and DOWN to select the **Stand Alone** menu item, confirm the selection, then select **HSI** and confirm again with ENTER. Now select the menu item you want to edit, confirm the selection and make the settings as desired. Confirm each entry.



## STAND-ALONE OPERATION MODE PLAY LOOP (8-step colour sequences 1 - 8)

The 8 available loops are pre-programmed at the factory, but can be customised in the **Edit Loop** menu item. The brightness can be set at a higher level. Starting from the main display, press MENU to enter the main menu. Using UP and DOWN, select the menu item **Stand Alone**, confirm

with ENTER, then select the submenu item **Auto** and confirm again with ENTER. Now select the menu item you want to edit, confirm the selection and make the settings as desired. Confirm each entry.

Menu DMX Address DMX Mode <b>Stand Alone</b> EZ Remote Slave Settings Service System Info	Stand Alone Master/Alone Direct LED Color Preset CCT HSI <b>Play Loop</b> Timer Edit User Color Edit Loop	Play Loop Dimmer 0% - 100% Loop 1 - 8
---	--	---

## TIMER FUNCTION

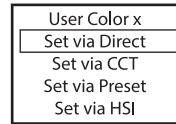
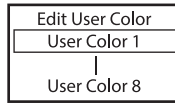
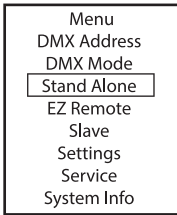
The timer function allows timed control of the Direct LED, Colour Preset, CCT and HSI stand-alone modes in such a way that the fade-in time (Fade In) can be set from 0 to 60 minutes, the dwell time from 1 to 24 hours and the fade-out time from 0 to 60 minutes. After activation of the timer function, the timer control will be implemented upon the next system start. Starting from the main display, press MENU to enter the main menu. Select **Stand Alone**, confirm the selection, then select **Timer** and confirm again. Select the setting **On** under **Timer** and confirm. For the individual timer control settings, select **Fade In**, **Dwell Time** or **Fade Out** and confirm. You can now set the respective value as desired. Confirm all entries. To deactivate the timer function, select the setting **Off** under **Timer** and confirm the entry.

Note: The timer function is suitable for use in master/slave operation via cable and W-DMX™.

Menu DMX Address DMX Mode <b>Stand Alone</b> EZ Remote Slave Settings Service System Info	Stand Alone Master/Alone Direct LED Color Preset CCT HSI Play Loop <b>Timer</b> Edit User Color Edit Loop	Timer Timer ON / OFF Fade In 0 - 60min Dwell Time 1 - 24h Fade Out 0 - 60min
---	--	--

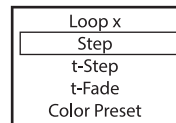
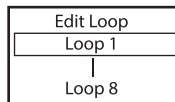
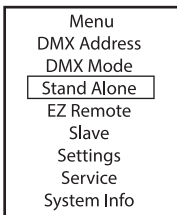
## EDITING USER-PRESETS (Edit User Color)

The eight user presets available in the stand-alone mode Colour Preset can be edited individually. Starting from the main display, press MENU to enter the main menu. Using UP and DOWN you now select the menu item **Stand Alone**, confirm with ENTER, then select **Edit User Color** and confirm once again. Select the desired preset (User Color 1 - 8) and confirm the selection. Now decide which way you want to create the colour for the preset and select one of the four methods Direct, CCT, Preset and HSI and confirm the selection. Now set the desired colour as described in the instructions for the respective stand-alone mode.



## EDIT LOOP (Edit Loop)

Brightness, step duration and fade time can be set separately for all eight loops. Starting from the main display, press MENU to enter the main menu. Using UP and DOWN you now select the menu item **Stand Alone**, confirm with ENTER, then select **Edit Loop** and confirm once again. Now select the desired loop for editing and confirm the selection.



This will take you to the submenu for configuring the submenu items (see table). The settings for each loop are made separately and are retained even after restarting the device.

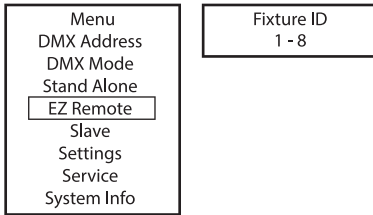
Step	1 - 8	Step selection
T-Step	T-Step 0s - 10s = 0,1s steps 10s - 1min = 1s steps 1min - 20min = 1min steps	Setting the step duration for the selected step
T-Fade	T-Fade 0s - 10s = 0,1s steps 10s - 1min = 1s steps 1min - 20min = 1min steps	Setting the fade time for the selected step
Color Preset	Step 1 + 2: Dark Magenta - Rose Pink, User Color 1 - 8, Blackout	Selecting the colour preset or blackout for the selected step
	Step 3 - 8: Dark Magenta - Rose Pink, User Color 1 - 8, Blackout, Skip Step	Select the colour preset or blackout or skip the selected step

## EZ REMOTE CONTROL VIA CAMEO UNICON (optionally available)

Starting from the main display, press MENU to enter the main menu. Using UP and DOWN you now select the **EZ Remote** menu item and confirm by pressing ENTER. Now set the desired fixture ID (Fixture ID 1 - 8) and confirm the entry. Connect the spotlight and UNICON using a DMX



cable, select **DMX Control** in the UNICON menu, then **EZ Remote**, and enter the same unit ID. Now control the spotlight using RGB, GEL, CCT or HSI. By assigning different unit IDs, up to eight spotlights (or spotlight groups) can be controlled separately via UNICON.



## SLAVE MODE

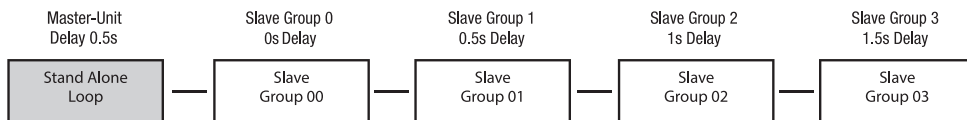
**Standard slave operation:** Starting from the main display, press MENU to enter the main menu. Using the UP and DOWN buttons, you now select the menu item **Slave** confirm with ENTER, select the Slave Group 0 and confirm again with ENTER. Connect the slave and master units (same model, same software version) using a DMX cable or W-DMX™ and activate one of the stand-alone modes (Direct LED, Color Preset, CCT, HSI, Auto Program, Play Loop) in the master unit. The slave unit will now follow the master unit.

**Extended slave operation:** If you want to control the slave units by one of the stand-alone modes **Auto Program** or **Play Loop** in master / slave operation, the control signal can be played back with a time delay of up to 24 steps, the delay is set in the **Stand Alone** menu **Master/Alone** in the master unit, the delay factor in the slave menu of the corresponding fixture (Group). This is a simple way to create a running light effect with a large number of spotlights that are all the same model and have the same software version. This is otherwise only possible using a suitable DMX controller and time-consuming programming. Connect the slave and master units (same model, same software version) using a DMX cable or via W-DMX™

Menu DMX Address DMX Mode Stand Alone EZ Remote <b>Slave</b> Settings Service System Info	Slave Group Receive Mode	Group	0 - 24	Set slave group for signal delay	
				XLR (permanent aktiv)	
		Receive Mode	Wire- less	On	Activate W-DMX module
				Off	Deactivate W-DMX module
				Unlink	Disconnect all con- nections and place in pairing standby mode

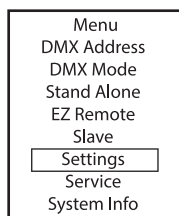
Assign the spotlights to one of up to 24 groups (plus Group 0) according to preference, whereby several spotlights can be assigned to one group. The group number is also the factor by which the delay time set in the master unit is multiplied.

Setup example:



## SYSTEM SETTINGS (Settings)

Starting from the main display, press MENU to enter the main menu. Using the UP und DOWN buttons you now select the menu item **Settings** and confirm with ENTER.



This will take you to the submenu for setting the submenu items (see table, select with UP and DOWN, confirm with ENTER, change value or status with UP and DOWN, confirm with ENTER).

Wireless	=	Wireless settings	W-DMX State	On	Activate W-DMX
				Off	W-DMX deactivated
			Operating Mode	Receive	W-DMX mode: Receiver
				Transmit	G3 (G3 transmission standard)
					G4s (transmission standard G4s )
			Linking	Unlink	Uncouple all units and make them ready for coupling
				Link/Force to pair	Pair with W-DMX devices. W-DMX must be enabled on all devices, and the pairing with a transmitter be retained (Receive Reset).
Signal Routing	Send to XLR	Send incoming signal to XLR connector			
	Backup by XLR	Using the incoming signal from the XLR connector when the W-DMX signal is lost.			
	Receive only	No connection between W-DMX signal and XLR connectors			
Display	=	Display settings	Reverse	On	Display is rotated by 180° (e.g. for overhead installation)
				Off	No display rotation
			Off Timer	Always On	Display lighting permanently on
				Off after 20s	Deactivation of the display lighting after approx. 20 seconds of inactivity

Display	=	Display settings	Autolock	Off	Function disabled
				On after 60s	The controls and display are locked after approx. 60 seconds without any operation. Unlock: Press UP and DOWN simultaneously for approx. 5 seconds
Dimmer	=	Dimming behaviour and PWM frequency	Curve	Linear	Dimmer curve: The light intensity increases linearly with the DMX value
				Exponential	Dimmer curve: The light intensity can be adjusted finely in the lower DMX value range and coarsely in the upper DMX value range
				Logarithmic	Dimmer curve: The light intensity can be adjusted coarsely in the lower DMX value range and finely in the upper DMX value range
			Curve	S-Curve	Light intensity can be finely adjusted at lower and higher DMX values and broadly adjusted at medium DMX values
Dimmer	=	Dimming behaviour and PWM frequency	PWM Frequency	650 Hz, 1530 Hz, 3600 Hz, 12 kHz, 18.9 kHz, 25 kHz	Select LED PWM frequency
				Response	LED
			Halogen		Light behaves like a halogen spotlight with slight brightness changes
			Redshift	Dim to Warm	accurately mimics the colour drift of dimming a halogen spotlight. When dimming the spotlight, the colour temperature changes automatically to increasingly warm white tones and amber (and vice versa).
				Off	Function disabled
Color Calibration	=	Colour calibration	RAW		R, G, B, and W (CLPB400IPG2) or R, G, B, W, A and Uv (CLPB600IPG2) with maximum value 255
			User	CLPB400IPG2: RGBW CLPB600IPG2: RGB-WAUv	Individual colour calibration. Cross-mode brightness setting with values from 0-255
			Factory		Factory calibration (cross-mode)
			Smart		Merging factory and RAW calibration

Signal Fail	=	Operating mode on control signal interruption	Hold	Last command is retained
			Last Stand Alone	Last activated stand-alone mode is started
			Fade to Black (10s)	10s fade to blackout
			Blackout	Instant blackout
			User Color 1	User Colour 1 is activated
		Full	Full On	
Pixel Mirror	=	Mirror pixel	Off	Function disabled
			On	Pixels are mirrored
Store Default	=	Store all system settings in 3 individual presets	User A	Store with ENTER
			User B	Store with ENTER
			User C	Store with ENTER

### SERVICE MENU (Service)

Starting from the main display, press MENU to enter the main menu. Select **Service** using UP and DOWN and confirm with ENTER.

Menu
DMX Address
DMX Mode
Stand Alone
EZ Remote
Slave
Settings
<b>Service</b>
System Info

Information on the submenu items in the service menu and the corresponding options can be found in the table below (select with UP and DOWN, confirm with ENTER, change value or status with UP and DOWN, confirm with ENTER).

Load Default	Factory	Reset to factory setting
	User A	Reset to User A values (Save user values: Settings -> Store Default)
	User B	Reset to User B values (Save user values: Settings -> Store Default)
	User C	Reset to User C values (Save user values: Settings -> Store Default)
Reset Service Timer	No	Cancel operation
	Reset now	Reset service operation time
Password	For service purposes only	

## SYSTEM INFORMATION (System Info)

Starting from the main display, press MENU to enter the main menu. Select **System Info** using UP and DOWN and confirm with ENTER.

Menu
DMX Address
DMX Mode
Stand Alone
EZ Remote
Slave
Settings
Service
<b>System Info</b>

Information on the submenu items in the system info menu and the corresponding options can be found in the table below (select with UP and DOWN, confirm with ENTER, change value or status with UP and DOWN, confirm with ENTER).

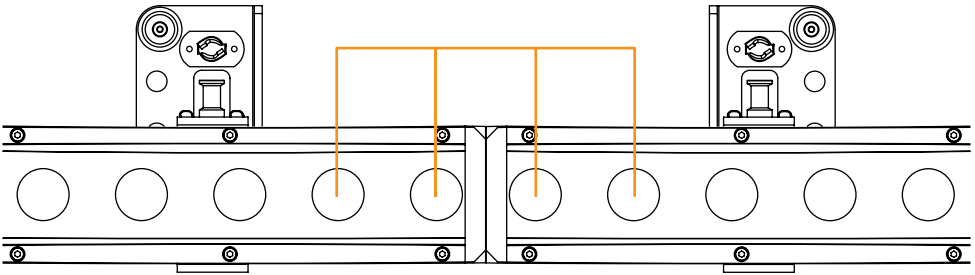
Firmware	DISP	Vx.x.x	Display of the firmware version of the corresponding component
	DRV	Vx.x.x	
Temperature	LED	xxx °C / °F	Display of the temperature of the corresponding component
	Temperature Unit	°C °F	Setting the temperature unit
Runtime	Total	xxxx h : xx m	Total operating time
	Operation	xxxx h : xx m	Usable time
	LED	xxxx h : xx m	Lamp operating time
	Service	xxxx h : xx m	Operating time after resetting the service operating time
RDM-UID	RDM Unique Identifier		

## INSTALLATION



**DANGER:** Overhead mounting requires extensive experience, including the calculation of the load limit values of the installation material and regular safety inspection of all installation materials and spotlights. If you do not have these qualifications, do not attempt to perform an installation yourself. Refer instead to a qualified professional. There is a risk that devices that are incorrectly mounted and secured may come loose and fall down. This can cause serious injury or death.

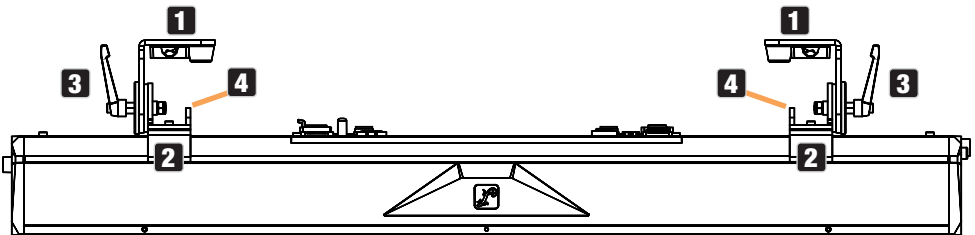
The unique coupling mechanism means that when several PIXBAR® G2 are docked, there is also a uniform pixel spacing at the transitions from one to the next PIXBAR® G2.



Thanks to the adjustable stand or mounting feet, the PIXBAR® G2 can be set up in a suitable position on a flat floor (e.g. as an uplight).

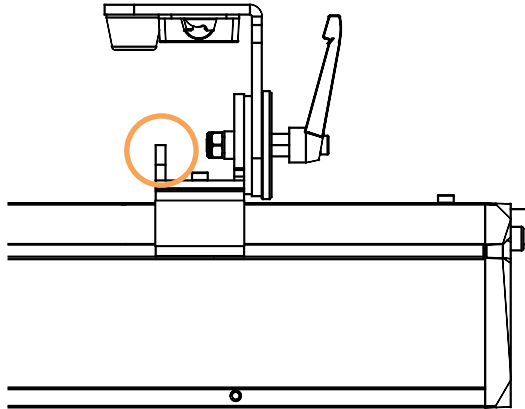
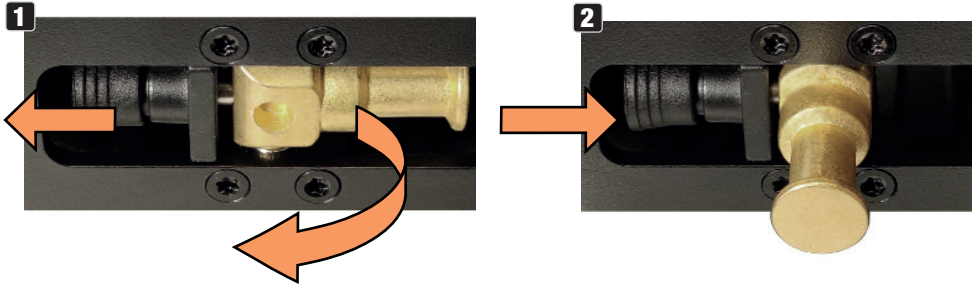
### MOUNTING A PIXBAR® ON A TRUSS

Mounting on a truss is done using optionally available truss clamps, which are either attached directly to the mounting feet (1), or to optionally available Omega mounting brackets (part number CLOMEGABRACKET1). The mounting feet can be moved on the housing of the PIXBAR® G2. To do this, loosen the middle of the five hexagon socket screws (2), move the foot to the desired position and tighten the screw again. The direction of radiation can be adjusted using the tommy screws (3) on the mounting feet. Ensure that the connections are tight and that the PIXBAR® G2 cannot come loose. When mounting the PIXBAR® G2 overhead, secure it with a suitable safety rope to one of the safety lugs provided (4). When mounting several docked PIXBAR® G2 horizontally overhead, each individual PIXBAR® G2 must be attached separately to the truss with the mounting feet and secured with a suitable safety rope.



## USE SPIN16 TV SPIGOT FOR MOUNTING

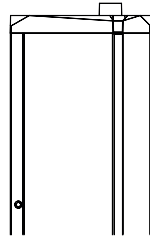
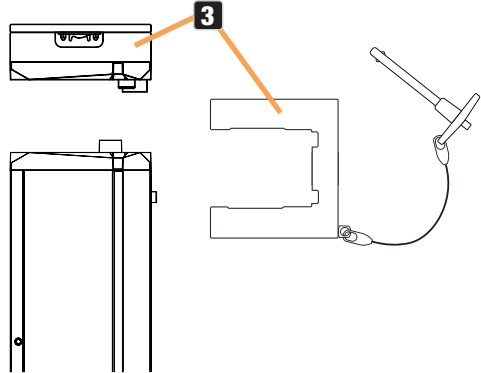
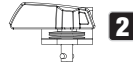
The mounting feet of the PIXBAR® G2 have 16 mm TV spigots that can be extended and retracted without tools. To unfold a TV spigot, pull the spring-loaded locking bolt out of the locking hole in the direction of the arrow (1), fold the TV spigot forwards and let the locking bolt engage in the locking hole offset by 90° (2). Use suitable truss clamps for mounting. Ensure that the connections are tight and that the headlamp cannot come loose. When mounting the headlamp overhead, secure it with a suitable safety rope to one of the safety lugs provided (see marking).



## VERTICAL HANGING MOUNTING ON A TRUSS

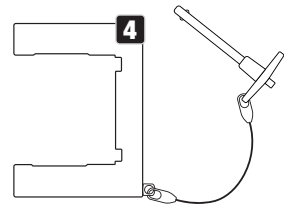
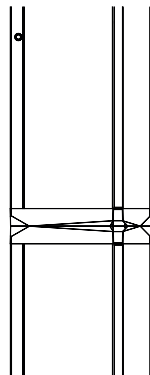
For vertical hanging mounting, up to three PIXBAR® G2 may be connected to each other. The following optionally available products must be used for this:

- 1** A suitable truss clamp with sufficient load-bearing capacity for the total load (e.g. half coupler).
- 2** One Omega Bracket (item number CLOMEGABRACKET1).
- 3** One stop set (item number CLPBG2VERTIMOUNT).
- 4** One or two connecting elements are needed to connect two or three PIXBAR® G2 and to secure the connection (item number CLPBG2STACKKIT).



The safety eyelet of the top foot of the top bar serves as a safety point. Make sure that the safety rope used to secure the bars is suitable for the total weight of the bars.

For optical reasons, the mounting feet can be folded to the side of the housing. A rubber buffer prevents the surface from being damaged.





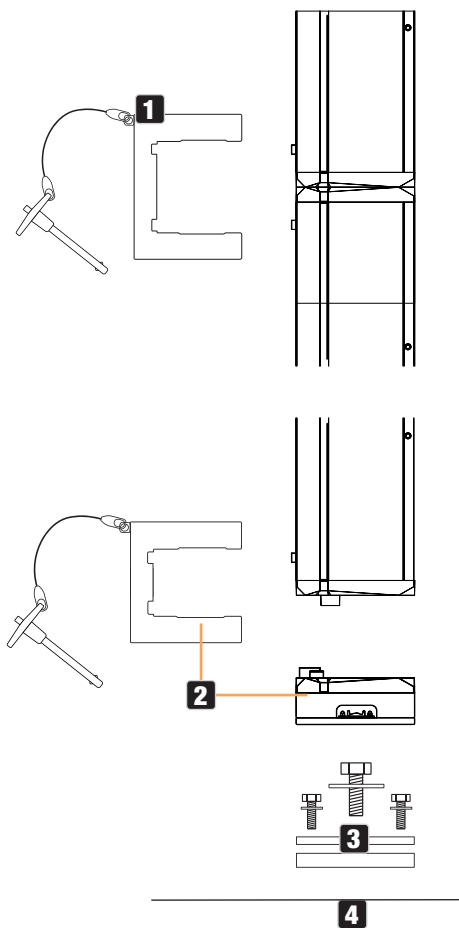
## VERTICAL FLOOR MOUNTING

For vertical floor mounting, a maximum of two PIXBAR® G2 may be connected to each other. The following optionally available products must be used for this:

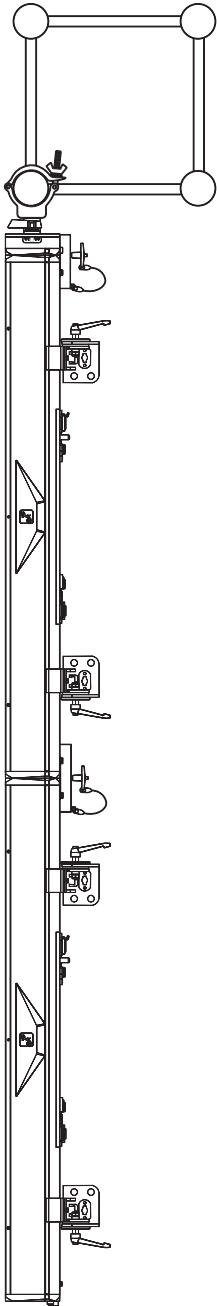
- 1** One connector (item number CLPBG2STACKKIT).
- 2** One stop set (item number CLPBG2VERTIMOUNT).
- 3** One M20 connection set (item number CLPBG2M20ADA).
- 4** A heavy steel stand with M20 thread and sufficient stability for the total load.

The stability in combination with the stand used must be assessed by the user. No additional loads may be introduced.

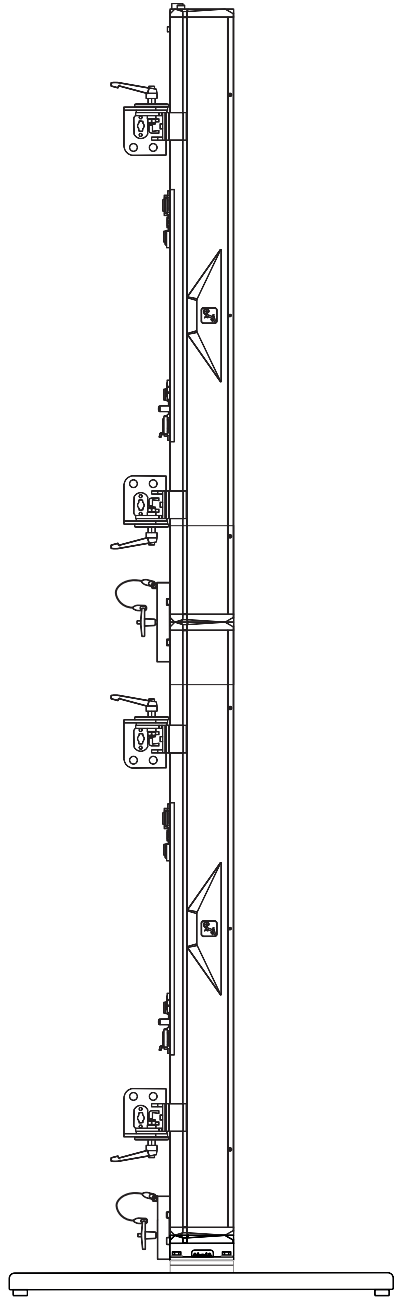
For optical reasons, the mounting feet can be folded to the side of the housing. A rubber buffer prevents the surface from being damaged.



**VERTICALLY SUSPENDED TRUSS**



**VERTICAL FLOOR MOUNTING**



ENGLISH

DEUTSCH

FRANCAIS

ESPAÑOL

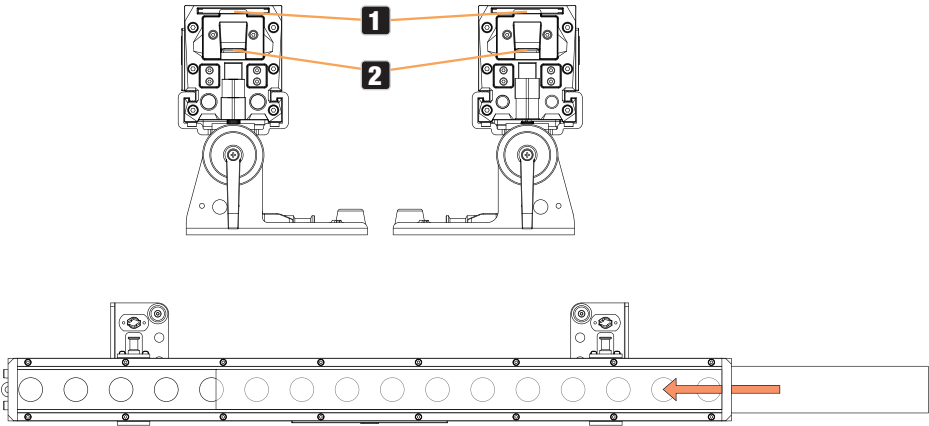
POLSKI

ITALIANO

DMX

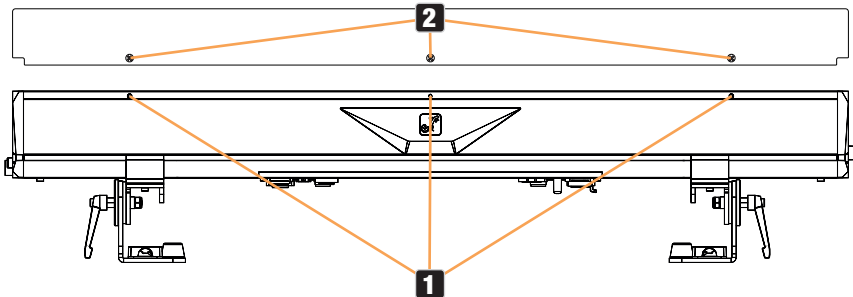
## FROST FILTER

A standard frost filter is included with the PIXBAR® G2. To insert the frost filter into the holder provided for it **1** of the bar, open the sliding latch at one end of the bar (**2**, slide down the handle). After inserting the frost filter into the holder, close the latch again to prevent the filter from falling out.



## GLARE SHIELD

A glare shield is included with the PIXBAR® G2. On both sides of the PIXBAR® G2 there are three threads on the top edge of the housing **1**. Mount the glare shield on the desired side of the PIXBAR® G2 using the three knurled screws **2**.



## CARE, MAINTENANCE AND REPAIR

In order to ensure the long-term, proper functioning of the device, it must be regularly cleaned and, if necessary, maintained. The maintenance requirement depends on the intensity of use and the environment in which it is used.

We generally recommend a visual inspection before each operation. Furthermore, we recommend carrying out all the applicable maintenance measures specified below once every 500 operating hours or, in the case of a lower intensity of use, at the latest after one year. Warranty claims may be limited in the event of defects resulting from inadequate maintenance.

### CARE (carried out by user)



**WARNING!** Before carrying out any care or maintenance, the power supply – and, if possible, all device connections – must be disconnected.



**PLEASE NOTE!** Improper care can lead to impairment of the device or even its destruction.

1. Housing surfaces must be cleaned with a clean, damp cloth. Make sure that no moisture can penetrate the device.
2. Air inlets and outlets must be regularly cleaned of dust and dirt. If compressed air is used, make sure that damage to the device is prevented (e.g. fans must be blocked in this case, as they could otherwise over-rev.).
3. Lines and plug contacts must be cleaned regularly and dust and dirt must be removed.
4. In general, no cleaning agents or abrasive agents may be used, otherwise the surface finish may be damaged.
5. Devices must generally be stored dry and protected from dust and dirt.
6. To ensure correct and safe operation, all accessible or removable lenses and light-emitting apertures must be cleaned regularly.

### MAINTENANCE AND REPAIR (by qualified personnel only)



**DANGER!** There are live components in the unit. Even after disconnecting the mains connection, there may still be residual voltage in the device, for example, due to charged capacitors.



**PLEASE NOTE!** There are no user-serviceable assemblies in the device.



**PLEASE NOTE!** Maintenance and repair work may only be carried out by sufficiently qualified specialist personnel. If in doubt, consult a specialist workshop.



**PLEASE NOTE!** Improperly performed maintenance work may affect the warranty claim.



**PLEASE NOTE!** For conversion or retrofit sets provided by the manufacturer, be sure to observe the enclosed installation instructions.

## OPTIONAL ACCESSORIES

### **CLPBG2FILTER55**

55° frost filter

### **CLPBG2FILTER70**

70° frost filter

### **CLPBG2FILTER2555**

25° x 55° Frost filter

### **CLPBG2STACKKIT**

Connecting element for the secure mechanical connection of two PIXBAR® G2

### **CLPBG2VERTIMOUNT**

Stop set for mounting a PIXBAR® G2 on the Omega mounting bracket CLOMEGABRACKET1 and for mounting on the connection set CLPBG2M20ADA

### **CLOMEGABRACKET1**

Omega mounting bracket

### **CLPBG2M20ADA**

Connection set for mounting a PIXBAR® G2 on a stand with M20 thread

# DIMENSIONS (mm)

ENGLISH

DEUTSCH

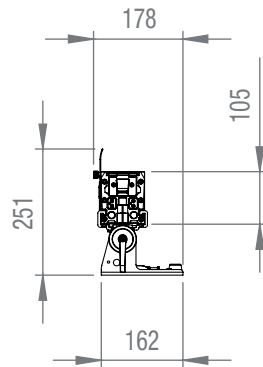
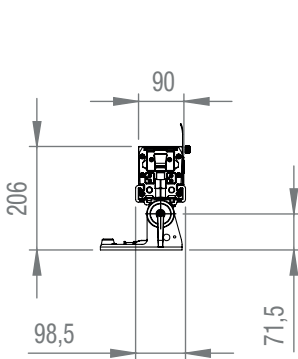
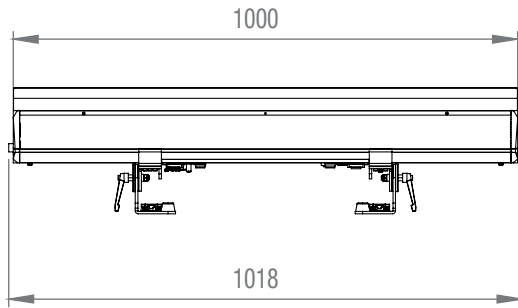
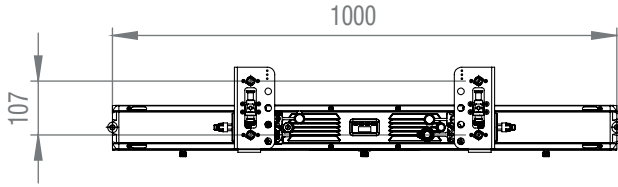
FRANCAIS

ESPAÑOL

POLSKI

ITALIANO

DMX



## TECHNICAL DATA

Item number	CLPB400IPG2	CLPB600IPG2
Product category	Static LED light	Static LED light
Type	LED bar	LED bar
Light source	16 x 4in1 RGBW	16 x 6in1 RGBWAUv
Luminous flux	6500lm @ 6300K; R: 2500lm; G: 3600lm; W: 570lm; W: 5000lm	5300lm @ Full On; R: 1580lm; G: 2755lm; B: 427lm; W: 3175lm; A: 1753; UV: n/a
Lens / optic	16 x Acrylic Lens	16 x Acrylic Lens
PWM Frequency	650 Hz/ 1530 Hz/ 3600 Hz/ 12000 Hz/ 18900 kHz/ 25000 kHz	650 Hz/ 1530 Hz/ 3600 Hz/ 12000 Hz/ 18900 kHz/ 25000 kHz
Dimmer response	8 / 16 bit	8 / 16 bit
Dimmer curves	Linear, exponential, s-curve, logarithmic	Linear, exponential, s-curve, logarithmic
Halogen simulation	Yes	Yes
Strobe	0 Hz – 20 Hz	0 Hz – 20 Hz
CRI	>84 @ 5600K	77
Beam angle / field angle	25° / 42°	24° / 46°
LED colour	R: 625nm; G: 518nm; B 545nm; W: 6036K	R: 635nm; G: 519nm; B: 448nm; W: 6100K; A: 602nm; UV: 400nm
Colour mixing	RGBW	RGBWAUv
Color control modes	RGBW Direct; CCT + Tint; HSI; Colour Presets	RGBWAUv Direct; CCT + Tint; HSI; Colour Presets
CCT	2200K - 8000K	2200K - 8000K
Colour Calibration	Raw; factory; smart	Raw; factory; smart
Control protocols	DMX; RDM; Wireless; Stand-Alone; Master-Slave; EZ-Remote	DMX; RDM; Wireless; Stand-Alone; Master-Slave; EZ-Remote
Data connections	5-pin XLR in/out IP65; Wireless DMX	5-pin XLR in/out IP65; Wireless DMX
DMX mode	1CH; 3CH; 4CH; 7CH; 8CH; 10CH; 11CH; 16CH; 36CH; 48CH; 64CH; 68CH; D2CH; D4CH; D7CH	1CH; 3CH; 6CH; 9CH; 12CH; 13CH; 20CH; 44CH; 48CH; 96CH; 100CH; D2CH; D4CH; D9CH
DMX functions:	Dimmer; Dimmer fine; Strobe Functions; Red; Red fine; Green; Green fine; Blue; Blue fine; White; White fine; Color Temperature; Tint; Color Presets; Color Preset Crossfade; Selection Folder; Pattern; Pattern Speed;	Dimmer; Dimmer fine; Strobe Functions; Red; Red fine; Green; Green fine; Blue; Blue fine; White; White fine; Amber; Amber fine; UV; UV fine; Color Temperature; Tint; Color Presets; Color Preset Crossfade; Selection Folder; Pattern; Pattern Speed; Pattern Transition; Running Effect Pattern;

ENGLISH

DEUTSCH

FRANCAIS

ESPAÑOL

POLSKI

ITALIANO

DMX

DMX functions:	Pattern Transition; Running Effect Pattern; Background Dimmer; Background Dimmer fine; Background Strobe Functions; Background Red; Background Red fine; Background Green; Background Green fine; Background Blue; Background Blue fine; Background White; Background White fine; Background Color Temperature; Background Tint; Background Color Macro; Background Macro Crossfade; Device Settings; Grouping; DMX-Delay (EZ-Chase); Pixel: R1, G1, B1, W1,... R16, G16, B16, W16	Background Dimmer; Background Dimmer fine; Background Strobe Functions; Background Red; Background Red fine; Background Green; Background Green fine; Background Blue; Background Blue fine; Background White; Background White fine; Background Amber; Background Amber fine; Background UV; Background UV fine; Background Color Temperature; Background Tint; Background Color Macro; Background Macro Crossfade; Device Settings; Grouping; DMX-Delay (EZ-Chase); Pixel: R1, G1, B1, W1, A1, Uv1,... R16, G16, B16, W16, A16, Uv16
RDM functions:	Cameo standard RDM functions	Cameo standard RDM functions
Standalone	Auto; Static; CCT; HSI; Colour Preset; Play Loop; Slave; Timer	Auto; Static; CCT; HSI; Colour Preset; Play Loop; Slave; Timer
System Settings	Wireless; Display Reverse; Display off Timer; Autolock; Signal Fail; Dimmer Curve; Dimmer Response; Redshift; PWM Frequency; Color Calibration; Load Default; Store Default; Service	Wireless; Display Reverse; Display off Timer; Autolock; Signal Fail; Dimmer Curve; Dimmer Response; Redshift; PWM Frequency; Color Calibration; Load Default; Store Default; Service
User interface	4-button navigation (MENU/ENTER/UP/DOWN)	4-button navigation (MENU/ENTER/UP/DOWN)
Display	2 row OLED	2 row OLED
IP rating:	IP65 for outdoor use	IP65 for outdoor use
Ambient temperature rating (in operation)	T -20°C - 45°C (unit operational) -10°C - 45°C (display operational)	T -20°C - 45°C (unit operational) -10°C - 45°C (display operational)
Humidity	100% to 80% (non-condensing)	100% to 80% (non-condensing)
Cooling system	Passive convection, fanless	Passive convection, fanless
Noise level	Noise free	Noise free
Operation voltage	100–240 VAC / 50–60 Hz	100–240 VAC / 50–60 Hz
Max. current	0.77 A @ 230 V / 1.62 A @ 110 V	0.77 A @ 230 V / 1.62 A @ 110 V
Inrush current	42 A	39 A
Max power consumption	180 V, 230 V, 110 V	180 V, 230 V, 110 V
Standby power	9 W	9 W
Power connectors	Seetronic IP65 In + Out	Seetronic IP65 In + Out
Power link	Up to 9 units @ 230 V; up to 5 units @ 110 V	Up to 9 units @ 230 V; up to 5 units @ 110 V



Minimum distance to the illuminated surface	0.3 m	0.3 m
Minimum distance to normal flammable materials	0.017 m	0.017 m
Housing	String cast aluminium, black powder coated	String cast aluminium, black powder coated
Dimensions w/h/d	1018 mm (1000 mm when units are linked) x 206 mm x 178 mm	1018 mm (1000 mm when units are linked) x 206 mm x 178 mm
Weight	11.8 kg	11.8 kg
RDM UID	0x08A4004C 0000-FFFF	0x08A4004D 0000-FFFF

## EXPLANATIONS ON IP RATING

1. An IP rating only reflects protection from solid objects and water. It does not describe general weather resistance, such as protection from UV radiation and temperature, etc.

2. The first identification digit indicates protection from dust, solid objects and contact:

IP2X	Protected against solid foreign bodies $\geq 12.5$ mm in diameter
IP3X	Protected against solid foreign bodies $\geq 2.5$ mm in diameter
IP4X	Protected against solid foreign bodies $\geq 1.0$ mm in diameter
IP5X	Protected against dust in harmful quantities and completely protected against contact
IP6X	Are dust-tight and completely protected against contact

3. The second identification digit indicates protection from water:

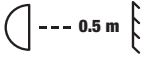
IPX0	No protection
IPX1	Protection against dripping water
IPX2	Protection against dripping water when the device is tilted up to $15^\circ$
IPX3	Protection against falling spray water up to $60^\circ$ from the vertical
IPX4	Protection against splashing water on all sides
IPX5	Protection against water jets (nozzle) from any angle
IPX6	Protection against strong water jets
IPX7	Protection against temporary immersion

4. In addition, some device-specific measures such as covers and sealing caps are necessary in order to achieve the specified rating (e.g. protective caps on unused connections).



The IP rating of the product can be found in the technical data and is printed on the device.

## MINIMUM DISTANCE TO ILLUMINATED SURFACE



This symbol with distance information in metres (m) indicates the minimum distance of the luminaire to the illuminated surface. In this example, the distance is 0.5 m. The value valid for this unit can be found in the technical data in this manual and in the imprint on the unit housing!

## MINIMUM DISTANCE TO NORMALLY FLAMMABLE MATERIALS



This symbol with distance indication in metres (m) indicates the minimum distance of the appliance to normally flammable materials. In this example, the distance is 0.5 m. For the value valid for this unit, please refer to the technical data in this manual!

## DISPOSAL



### PACKAGING:

1. Packaging can be fed into the reusable material cycle using the usual disposal methods.
2. Please separate the packaging in accordance with the disposal laws and recycling regulations in your country.



### DEVICE:

1. This appliance is subject to the European Directive on Waste Electrical and Electronic Equipment as amended. WEEE Directive Waste Electrical and Electronic Equipment. Old appliances do not belong in household waste. The old device must be disposed of via an approved disposal company or a municipal disposal facility. Please observe the applicable regulations in your country!
2. Observe all disposal laws applicable in your country.
3. As a private customer, you can obtain information on environmentally-friendly disposal options from the seller of the product or the appropriate regional authorities.

## MANUFACTURER'S DECLARATIONS

### Manufacturer's warranty & limitation of liability

Adam Hall GmbH | Adam-Hall-Str.1 | 61267 Neu-Anspach | Germany

E-mail: [Info@adamhall.com](mailto:Info@adamhall.com) / +49 (0)6081 / 9419-0

Our current warranty conditions and limitation of liability can be found at:

[https://cdn-shop.adamhall.com/media/pdf/Manufacturers-Declarations-CAMEO\\_DE\\_EN\\_ES\\_FR.pdf](https://cdn-shop.adamhall.com/media/pdf/Manufacturers-Declarations-CAMEO_DE_EN_ES_FR.pdf)

For service requests, please contact your distribution partner.

## ISED STATEMENT

English: This device contains licence-exempt transmitter(s)/receiver(s) that comply with Innovation, Science and Economic Development Canada's licence-exempt RSS(s). Operation is subject to the following two conditions:

- (1) This device may not cause interference.
- (2) This device must accept any interference, including interference that may cause undesired operation of the device.

The digital apparatus complies with Canadian CAN ICES-5 (B)/NMB-5(B).

French: Cet appareil contient des émetteurs/récepteurs exempts de licence qui sont conformes aux RSS exemptés de licence d'Innovation, Sciences et Développement économique Canada.

L'exploitation est soumise aux deux conditions suivantes :

- (1) Cet appareil ne doit pas provoquer d'interférences.
- (2) Cet appareil doit accepter toute interférence, y compris les interférences susceptibles de provoquer un fonctionnement indésirable de l'appareil.

l'appareil numérique du ciem conforme canadien peut - 5 (b) / nmb - 5 (b).

This device meets the exemption from the routine evaluation limits in section 2.5 of RSS 102 and compliance with RSS 102 RF exposure, users can obtain Canadian information on RF exposure and compliance.

Cet appareil est conforme à l'exemption des limites d'évaluation courante dans la section 2.5 du cnr - 102 et conformité avec rss 102 de l'exposition aux rf, les utilisateurs peuvent obtenir des données canadiennes sur l'exposition aux champs rf et la conformité.

This equipment complies with Canada radiation exposure limits set forth for an uncontrolled environment.

Cet équipement est conforme aux limites d'exposition aux rayonnements du Canada établies pour un environnement non contrôlé.

This equipment should be installed and operated with minimum distance 20cm between the radiator & your body.

Cet équipement doit être installé et utilisé à une distance minimale de 20 cm entre le radiateur et votre corps.

## CE conformity

Adam Hall GmbH hereby confirm that this product meets the following guidelines (where applicable):

Low-Voltage Directive (2014/35/EU)

EMC Directive (2014/30/EU)

RoHS (2011/65/EU)

RED (2014/53/EU)

**EC Declaration of Conformity**

Declarations of conformity for products subject to the LVD, EMC, RoHS Directive can be requested from [info@adamhall.com](mailto:info@adamhall.com)

Declarations of conformity for products subject to RED can be downloaded from [www.adamhall.com/compliance/](http://www.adamhall.com/compliance/)

**Subject to misprints and errors, as well as technical or other modifications!**

Sie haben die richtige Wahl getroffen!

Dieses Gerät wurde unter hohen Qualitätsanforderungen entwickelt und gefertigt, um viele Jahre einen reibungslosen Betrieb zu gewährleisten. Bitte lesen Sie diese Bedienungsanleitung sorgfältig, damit Sie Ihr neues Produkt von Cameo Light schnell und optimal einsetzen können. Weitere Informationen über Cameo Light erhalten Sie auf unserer Website **CAMEOLIGHT.COM**.

## **INFORMATIONEN ZU DIESER BEDIENUNGSANLEITUNG**

- Lesen Sie vor Inbetriebnahme die Sicherheitshinweise und die gesamte Anleitung aufmerksam durch.
- Beachten Sie die Warnungen auf dem Gerät und in der Bedienungsanleitung.
- Bewahren Sie die Bedienungsanleitung immer in Reichweite auf.
- Wenn Sie das Gerät verkaufen oder weitergeben, händigen Sie unbedingt auch diese Bedienungsanleitung aus, da sie ein wesentlicher Bestandteil des Produkts ist.

## **BESTIMMUNGSGEMÄSSER GEBRAUCH**

Bei dem Produkt handelt es sich um ein Gerät für die Veranstaltungstechnik!

Das Produkt ist für den professionellen Einsatz im Bereich der Veranstaltungstechnik entwickelt worden und ist nicht für die Verwendung in Haushalten geeignet!

Weiterhin ist dieses Produkt nur für qualifizierte Benutzer mit Fachkenntnissen im Umgang mit Veranstaltungstechnik vorgesehen!

Die Benutzung des Produkts außerhalb der spezifizierten technischen Daten und Betriebsbedingungen gilt als nicht bestimmungsgemäß!

Haftung für Schäden und Drittschäden an Personen und Sachen durch nicht bestimmungsgemäßen Gebrauch ist ausgeschlossen!

Das Produkt ist nicht geeignet für:

- Personen (einschließlich Kinder) mit eingeschränkten körperlichen, sensorischen oder geistigen Fähigkeiten oder mangelnder Erfahrung und Kenntnis.
- Kinder (Kinder müssen angewiesen werden, nicht mit dem Gerät zu spielen).

## **BEGRIFFS- UND SYMBOLERKLÄRUNGEN**

1. **GEFAHR:** Mit dem Wort GEFAHR, evtl. in Kombination mit einem Symbol, wird auf unmittelbar gefährliche Situationen oder Zustände für Leib und Leben hingewiesen.
2. **WARNUNG:** Mit dem Wort WARNUNG, evtl. in Kombination mit einem Symbol, wird auf potentiell gefährliche Situationen oder Zustände für Leib und Leben hingewiesen.
3. **VORSICHT:** Mit dem Wort VORSICHT, evtl. in Kombination mit einem Symbol, wird auf Situationen oder Zustände hingewiesen, die zu Verletzungen führen können.
4. **ACHTUNG:** Mit dem Wort ACHTUNG, evtl. in Kombination mit einem Symbol, wird auf Situationen oder Zustände hingewiesen, die zu Sach- und/oder Umweltschäden führen können.



Dieses Symbol kennzeichnet Gefahren, die einen elektrischen Schlag verursachen können.



Dieses Symbol kennzeichnet Gefahrenstellen oder gefährliche Situationen.



Dieses Symbol kennzeichnet Gefahren durch heiße Oberflächen.



Dieses Symbol kennzeichnet Gefahren durch intensive Lichtquellen.



Dieses Symbol kennzeichnet ein Gerät, in dem sich keine vom Benutzer austauschbaren Teile befinden.



Dieses Symbol kennzeichnet ergänzende Informationen zur Bedienung des Produkts.

## SICHERHEITSHINWEISE



### GEFAHR:

1. Öffnen Sie das Gerät nicht und verändern Sie es nicht.
2. Wenn Ihr Gerät nicht mehr ordnungsgemäß funktioniert, Flüssigkeiten oder Gegenstände in das Geräteinnere gelangt sind, oder das Gerät anderweitig beschädigt wurde, schalten Sie es sofort aus und trennen es von der Spannungsversorgung. Dieses Gerät darf nur von autorisiertem Fachpersonal repariert werden.
3. Bei Geräten der Schutzklasse 1 muss der Schutzleiter korrekt angeschlossen werden. Unterbrechen Sie niemals den Schutzleiter. Geräte der Schutzklasse 2 haben keinen Schutzleiter.
4. Sorgen Sie dafür, dass spannungsführende Kabel nicht geknickt oder anderweitig mechanisch beschädigt werden.
5. Überbrücken Sie niemals die Gerätesicherung.



### AVVERTENZA:

1. Das Gerät darf nicht in Betrieb genommen werden, wenn es offensichtliche Beschädigungen aufweist.
2. Das Gerät darf nur im spannungsfreien Zustand installiert werden.
3. Wenn das Netzkabel des Geräts beschädigt ist, darf das Gerät nicht in Betrieb genommen werden.
4. Fest angeschlossene Netzleitungen dürfen nur von einer qualifizierten Person ersetzt werden.

**ACHTUNG:**

1. Nehmen Sie das Gerät nicht in Betrieb, wenn es starken Temperaturschwankungen ausgesetzt war (beispielsweise nach dem Transport). Feuchtigkeit und Kondensat könnten das Gerät beschädigen. Schalten Sie das Gerät erst ein, wenn es Umgebungstemperatur erreicht hat.
2. Stellen Sie sicher, dass die Spannung und die Frequenz des Stromnetzes mit den auf dem Gerät angegebenen Werten übereinstimmen. Verfügt das Gerät über einen Spannungswahlschalter, schließen Sie das Gerät erst an, wenn dieser korrekt eingestellt ist. Nutzen sie nur geeignete Netzkabel.
3. Um das Gerät allpolig vom Netz zu trennen genügt es nicht, den Ein-/Aus-Schalter am Gerät zu betätigen.
4. Stellen Sie sicher, dass die eingesetzte Sicherung dem auf dem Gerät abgedruckten Typ entspricht.
5. Stellen Sie sicher, dass geeignete Maßnahmen gegen Überspannung (z.B. Blitzschlag) ergriffen wurden.
6. Beachten Sie den angegebenen maximalen Ausgangsstrom an Geräten mit Power Out Anschluss. Beachten Sie, dass die gesamte Stromaufnahme aller angeschlossenen Geräte den vorgegebenen Wert nicht überschreitet.
7. Ersetzen Sie steckbare Netzleitungen nur durch Originalleitungen.

**GEFAHR:**

1. Erstickungsgefahr! Kunststoffbeutel und Kleinteile müssen außer Reichweite von Personen (einschließlich Kindern) mit eingeschränkten körperlichen, sensorischen oder geistigen Fähigkeiten aufbewahrt werden.
2. Gefahr durch Herabfallen! Stellen Sie sicher, dass das Gerät sicher installiert ist und nicht herunterfallen kann. Verwenden Sie ausschließlich geeignete Stative bzw. Befestigungen (im Besonderen bei Festinstallationen). Stellen Sie sicher, dass Zubehör ordnungsgemäß installiert und gesichert ist. Achten sie dabei darauf, dass geltende Sicherheitsbestimmungen eingehalten werden.

**WARNUNG:**

1. Verwenden Sie das Gerät nur in der vorgesehenen Art und Weise.
2. Betreiben Sie das Gerät nur mit dem vom Hersteller empfohlenen und vorgesehenen Zubehör.
3. Beachten Sie bei der Installation die für Ihr Land geltenden Sicherheitsvorschriften.
4. Überprüfen Sie nach dem Anschluss des Geräts alle Kabelwege, um Schäden oder Unfälle, z. B. durch Stolperfallen zu vermeiden.
5. Beachten Sie unbedingt den angegebenen Mindestabstand zu normal entflammbar Materialien! Sofern dieser nicht explizit ausgewiesen ist, beträgt der Mindestabstand 0,3 m.
6. Beachten Sie unbedingt den auf dem Gerät abzulesenden Mindestabstand zur beleuchteten Fläche!

**VORSICHT:**

1. Bei beweglichen Bauteilen wie Montagebügeln, oder sonstigen beweglichen Bauteilen besteht die Möglichkeit sich zu klemmen.
2. Bei Geräten mit motorisch angetriebenen Bauteilen besteht Verletzungsgefahr durch die Bewegung des Gerätes. Plötzliche Gerätebewegungen können zu Schreckreaktionen führen.
3. Die Gehäuseoberfläche des Geräts kann sich im regulären Betrieb stark erwärmen. Stellen Sie sicher, dass ein versehentliches Berühren des Gehäuses ausgeschlossen ist. Lassen Sie das Gerät vor dem Abbau, vor Wartungsarbeiten und vor dem Aufladen etc. immer ausreichend abkühlen.

**ACHTUNG:**

1. Installieren und betreiben Sie das Gerät nicht in der Nähe von Heizkörpern, Wärmespeichern, Öfen oder sonstigen Wärmequellen. Sorgen Sie dafür, dass das Gerät immer so installiert ist, dass es ausreichend gekühlt wird und nicht überhitzen kann.
2. Platzieren Sie keine Zündquellen wie z.B. brennende Kerzen in der Nähe des Geräts.
3. Lüftungsöffnungen dürfen nicht abgedeckt und Lüfter nicht blockiert werden.
4. Nutzen Sie zum Transport die Originalverpackung oder vom Hersteller dafür vorgesehene Verpackungen.
5. Vermeiden Sie, dass Erschütterung oder Schläge auf das Gerät einwirken.
6. Beachten Sie die IP-Schutzart, sowie die Umgebungsbedingungen wie Temperatur und Luftfeuchtigkeit entsprechend der Spezifizierung.
7. Geräte können stetig weiterentwickelt werden. Bei abweichenden Angaben zu Betriebsbedingungen, Leistung oder sonstigen Geräteeigenschaften zwischen Bedienungsanleitung und Gerätebeschriftung, hat immer die Angabe auf dem Gerät Priorität.
8. Das Gerät ist nicht für tropische Klimazonen und für den Betrieb oberhalb 2000 m über NN geeignet.
9. Sofern nicht explizit ausgewiesen, ist das Gerät nicht für den Betrieb unter Marinebedingungen geeignet.

**HINWEIS:**

Bei vom Hersteller vorgesehenen Um- oder Nachrüstsets bzw. Zubehör beachten Sie unbedingt die beiliegende Anleitung.

**VORSICHT! WICHTIGE HINWEISE IN BEZUG AUF LICHT-PRODUKTE!**

1. Blicken Sie niemals, auch nicht kurzzeitig, direkt in die Lichtquelle.
2. Blicken Sie niemals mit optischen Geräten wie Vergrößerungsgläsern in die Lichtquelle.



3. Stroboskopeffekte können bei empfindlichen Menschen epileptische Anfälle auslösen!



4. In diesen Leuchten sind fest installierte Leuchtmittel verbaut, welche nicht durch den Benutzer zu tauschen sind. Im Fehlerfall wenden Sie sich bitte an Ihren Vertriebspartner.





## **SIGNALÜBERTRAGUNG UND STEUERUNG PER FUNK (z.B. W-DMX oder Audio-Funksysteme, Bluetooth):**

Die Qualität und Leistungsfähigkeit kabelloser Signalübertragungen ist generell abhängig von den Umgebungsbedingungen.

Einfluss auf die Reichweite und Signalstabilität haben z.B.:

Abschirmung (z.B. Mauerwerk, Metallbauten, Wasser)

Hohes Funkaufkommen (z.B. starke W-LAN Netze)

Interferenzen

Elektromagnetische Strahlung (z.B. LED-Videowände, Dimmer)

Alle Reichweitenangaben beziehen sich auf Freifeldanwendung mit Sichtkontakt ohne Störeinflüsse!

Der Betrieb von Sendeanlagen unterliegt behördlichen Bestimmungen. Diese können regional unterschiedlich ausfallen und müssen vor Inbetriebnahme vom Betreiber überprüft werden (z.B. Funkfrequenz und Sendeleistung).



**WARNUNG:** Geräte mit kabelloser Signalübertragung sind nicht für den Betrieb in sensiblen Bereichen, in denen Funkbetrieb zu möglichen Wechselwirkungen führen kann, geeignet. Dazu zählen z.B.:

- Krankenhäuser, Gesundheitszentren oder andere Einrichtungen des Gesundheitswesens, die Patientenbehandlungen mit Fachpersonal und -ausrüstung durchführen.
- Ex-Bereiche der Klassen I, II und III
- Sperrbereiche
- Militärische Einrichtungen
- Flugzeuge oder Fahrzeuge
- Bereiche, in denen die Nutzung von Mobiltelefonen untersagt ist



## **SIGNALÜBERTRAGUNG PER W-DMX**

**WARNUNG:** Generell darf kabellose DMX-Übertragung nicht für Anwendungen mit sicherheitsrelevanten Faktoren genutzt werden, die im Falle eines Versagens Personen- oder Sachschäden zur Folge haben können.

Dies gilt im Speziellen für bewegte Szenen- oder Traversenstrukturen, für DMX-gesteuerte Motoren/Hebezeuge oder Hebevorrichtungen zum Betreiben von DMX-betriebenen Bühnenliften, Hydrauliksystemen oder vergleichbaren beweglichen Komponenten.

Weiterhin darf kabellose DMX-Übertragung nicht zum Auslösen von Flammen- oder pyrotechnischen Geräten, explosionsgetriebenen Effekten, sowie zur Steuerung von Gas oder Flüssigkeitseffekten benutzt werden. Dazu zählen z.B. Co2-Kanonen, Konfetti-Shooter, Wasser-Effekte oder Ähnliches.



## HINWEISE FÜR ORTSVERÄNDERLICHE OUTDOOR-GERÄTE

1. Temporärer Betrieb! Veranstaltungsequipment ist grundsätzlich nur für den vorübergehenden Betrieb konzipiert.
2. Dauerbetrieb oder dauerhafte bauliche Anbringung, besonders im Außenbereich, kann zur Beeinträchtigung der Funktion, sowie der Oberflächen und Dichtungen und zu beschleunigter Materialermüdung führen.
3. Durch Beschädigungen der Oberflächenbeschichtung kann der Korrosionsschutz des Geräts beeinträchtigt werden. Eine beschädigte Oberflächenbeschichtung (z.B. Kratzer) muss zeitnah durch geeignete Maßnahmen wiederhergestellt werden.

## LIEFERUMFANG

Entnehmen Sie das Produkt aus der Verpackung und entfernen Sie sämtliches Verpackungsmaterial. Bitte überprüfen Sie die Vollständigkeit und Unversehrtheit der Lieferung und benachrichtigen Sie Ihren Vertriebspartner bitte unverzüglich nach dem Kauf, falls die Lieferung nicht komplett oder beschädigt ist.

Im Lieferumfang des Produkts CLPB400IPG2 sind enthalten:

- ▶ PIXBAR® 400 IP65 G2 RGBW Scheinwerfer
- ▶ 2 verschiebbare Montagefüße mit klappbarem SPIN16® Montagezapfen (vormontiert)
- ▶ 1 x Standard Frostfilter
- ▶ 1 x Blendschutz
- ▶ 1 x Netzkabel
- ▶ Bedienungsanleitung

Im Lieferumfang des Produkts CLPB600IPG2 sind enthalten:

- ▶ 1 x PIXBAR® 600 IP65 G2 RGBWAUV Scheinwerfer
- ▶ 2 verschiebbare Montagefüße mit klappbarem SPIN16® Montagezapfen (vormontiert)
- ▶ 1 x Standard Frostfilter
- ▶ 1 x Blendschutz
- ▶ 1 x Netzkabel
- ▶ Bedienungsanleitung

## EINFÜHRUNG

### **PIXBAR® 400 IP G2 Outdoor Scheinwerfer**

CLPB400IPG2 mit 16 4in1 RGBW LEDs

### **PIXBAR® 600 IP G2 Outdoor Scheinwerfer**

CLPB600IPG2 mit 16 6in1 RGBWAUV LEDs

**STEUERUNGSFUNKTIONEN:****CLPB400IPG2**

1-Kanal, 3-Kanal Preset, 4-Kanal Direct, 7-Kanal Direct Control, 8-Kanal 16 Bit, 10-Kanal Direct CCT, 11-Kanal Effect Pattern, 16-Kanal Wash, 36-Kanal Pattern, 48-Kanal Pixel RGB, 64-Kanal Pixel, 68-Kanal Pixel Dim, D2-Kanal, D4-Kanal Preset und D7-Kanal Direct DMX-Steuerung

**CLPB600IPG2**

1-Kanal, 3-Kanal Preset, 6-Kanal Direct, 9-Kanal Direct Control, 12-Kanal 16 Bit, 12-Kanal Direct CCT, 13-Kanal Effect Pattern, 20-Kanal Wash, 44-Kanal Pattern, 48-Kanal Pixel RGB, 96-Kanal Pixel, 100-Kanal Pixel Dim, D2-Kanal, D4-Kanal Preset und D9-Kanal Direct DMX-Steuerung

RDM

W-DMX™

Master/Slave-Betrieb

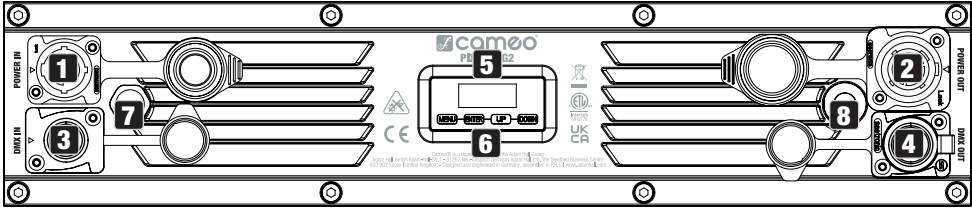
Standalone Funktionen

**EIGENSCHAFTEN:**

- Schutzart IP65
- Konvektionskühlung
- Betriebsspannung 100 - 240 V AC

Die Scheinwerfer verfügen über den RDM-Standard (Remote Device Management). Diese Gerätefernverwaltung ermöglicht die Statusabfrage und Konfiguration von RDM-Endgeräten über einen RDM-fähigen Controller, wie den optional erhältlichen Cameo UNICON (Artikelnummer CLIRE-MOTE). Der Cameo UNICON ermöglicht darüber hinaus den Zugriff auf das gesamte Scheinwerfermenü.

## ANSCHLÜSSE, BEDIEN- UND ANZEIGEELEMENTE



- Die Modelle CLPB400IPG2 und CLPB600IPG2 verfügen über identische Anschlüsse, Bedien- und Anzeigeelemente -

### 1 POWER IN

IP65 Netzeingangsbuchse mit Gummidichtkappe (TRUE1 kompatibel). Betriebsspannung 100 - 240V AC / 50 - 60Hz. Anschluss mit Hilfe des mitgelieferten Netzkabels (bei Nichtgebrauch stets mit der Gummidichtkappe verschließen).

### 2 POWER OUT

IP65 Netzausgangsbuchse mit Gummidichtkappe (TRUE1 kompatibel). Dient der Netzversorgung weiterer CAMEO Scheinwerfer. Achten Sie darauf, dass die gesamte Stromaufnahme aller angeschlossenen Geräte den auf dem Gerät in Ampere (A) angegebenen Wert nicht überschreitet (bei Nichtgebrauch stets mit der Gummidichtkappe verschließen).

### 3 DMX IN

Männliche IP65 5-Pol XLR-Buchse zum Anschließen eines DMX-Kontrollgeräts (z.B. DMX-Pult, bei Nichtgebrauch stets mit der Gummidichtkappe verschließen).

### 4 DMX OUT

Weibliche IP65 5-Pol XLR-Buchse zum Weiterleiten des DMX-Steuersignals (bei Nichtgebrauch stets mit der Gummidichtkappe verschließen).

### 5 OLED-DISPLAY

Das OLED-Display zeigt die aktuell aktivierte Betriebsart bzw. die aktuelle DMX-Adresse (Hauptanzeige), die Menüpunkte im Menü und den Zahlenwert bzw. Betriebszustand in bestimmten Menüpunkten an.

### 6 BERÜHRUNGSEMPFINDLICHE BEDIENFELDER

**MENU** - Durch Drücken auf MENU gelangen Sie in das Hauptmenü. Durch nochmaliges bzw. wiederholtes Drücken gelangen Sie zurück zur Hauptanzeige.

**UP** und **DOWN** - Wählen Sie die Menüpunkte im Hauptmenü (DMX-Adresse, Betriebsart usw.)

und in den Untermenüs mit Hilfe von UP und DOWN aus. Ändern Sie Wert bzw. Status in einem Menüpunkt, z.B. DMX-Adresse. Zum schnellen Ändern eines Werts (z.B. DMX Startadresse), halten Sie UP bzw. DOWN gedrückt.

**ENTER** - Durch Drücken auf ENTER gelangen Sie auf die Menüebene um Wert- bzw. Statusänderungen vornehmen zu können und um eines der Untermenüs zu erreichen. Bestätigen Sie Wert- bzw. Statusänderungen durch Drücken auf ENTER.



#### HINWEISE:

- Vergewissern Sie sich vor dem Navigieren im Gerätemenü, dass die Bedieneinheit trocken und sauber ist, damit ihre Funktionalität nicht beeinträchtigt wird.
- Wasser auf der Bedieneinheit kann z.B. im Outdoor-Betrieb zu Fehlbedienung des Scheinwerfers führen. Aktivieren Sie daher nach der Konfiguration des Scheinwerfers die Lock-Funktion, um eine Fehlbedienung durch Wasser zu verhindern (Settings -> Display -> Autolock).

## 7 DRUCKAUSGLEICHSELEMENT

Druckausgleichselement zur Vermeidung von Kondenswasserbildung im Gehäuseinneren. Um die einwandfreie Funktion zu gewährleisten, ist das Element vor Verschmutzung zu schützen.

## 8 W-DMX™ ANTENNE

Antenne für die Steuerung per W-DMX™.



**ACHTUNG:** Um den Spritzwasserschutz nach Schutzart IP65 bei den DMX- und Netzwerkbuchsen zu gewährleisten, müssen die speziellen Eingangs- und Ausgangsbuchsen korrekt mit den IP65 Spezialsteckern verschlossen sein, bzw. die Gummidichtkappen zum Verschließen verwendet werden. Die Netzbuchsen POWER IN und POWER OUT sind in korrekt gestecktem Zustand spritzwassergeschützt nach IP65, ebenso bei korrekter Verwendung der Gummidichtkappen.

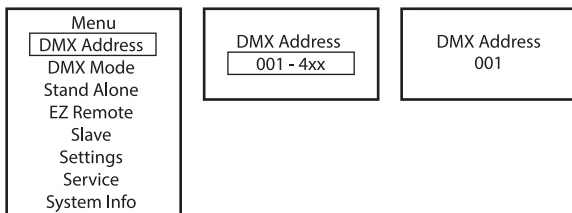
## BEDIENUNG

### ANMERKUNGEN

- Sobald der Scheinwerfer korrekt am Stromnetz angeschlossen ist, wird während des Startvorgangs nacheinander „Update wait.“ (nur für Service-Zwecke), „Welcome to Cameo“, die Modellbezeichnung und die Softwareversion im Display angezeigt. Nach diesem Vorgang ist der Scheinwerfer betriebsbereit und die Betriebsart, die zuvor aktiviert war, wird gestartet.
- Erfolgt innerhalb von circa 30 Sekunden keine Eingabe, wechselt die Anzeige im Display automatisch zur Hauptanzeige.
- Hinweis zur Hauptanzeige in den Betriebsarten mit externer Steuerung: Sobald das Steuersignal unterbrochen wird, beginnen die Zeichen im Display zu blinken, liegt das Steuersignal wieder an, stoppt das Blinken.
- Ausgehend von der Hauptanzeige kann die Anzeige im Display um 180° gedreht werden, indem Sie kurz auf UP drücken.

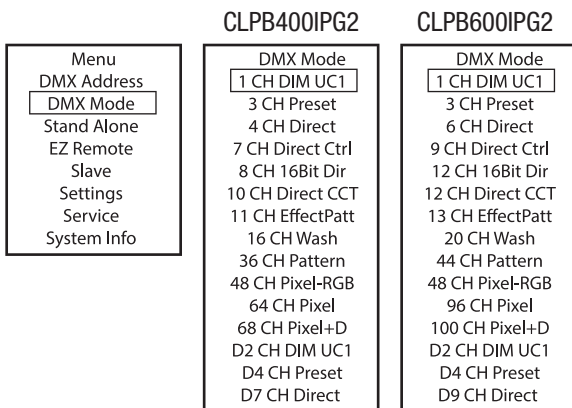
## DMX-STARTADRESSE EINSTELLEN (DMX Address)

Ausgehend von der Hauptanzeige gelangen Sie durch Drücken auf MENU in das Hauptmenü. Mit Hilfe von UP und DOWN wählen Sie nun den Menüpunkt **DMX Address** aus und bestätigen mit ENTER. Stellen Sie die gewünschte DMX-Startadresse mit Hilfe von UP und DOWN ein und bestätigen die Eingabe mit ENTER (höchster Wert abhängig von der aktuell eingestellten DMX-Betriebsart).



## DMX-BETRIEBSART EINSTELLEN (DMX Mode)

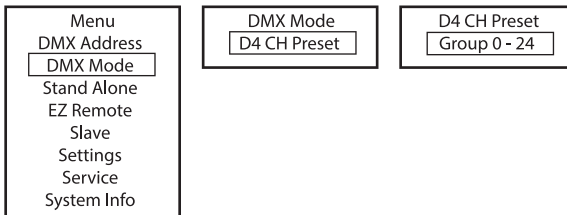
Ausgehend von der Hauptanzeige gelangen Sie durch Drücken auf MENU in das Hauptmenü. Mit Hilfe von UP und DOWN wählen Sie nun den Menüpunkt **DMX Mode** aus und bestätigen mit ENTER. Wählen Sie nun die gewünschte DMX-Betriebsart mit Hilfe von UP und DOWN aus und bestätigen die Auswahl mit ENTER. DMX-Betriebsarten mit DMX-Delay-Kanal und Gruppenauswahl (Group 0 - 24) sind mit „D“ gekennzeichnet. DMX-Tabellen mit den Kanalbelegungen finden Sie in dieser Anleitung unter DMX STEUERUNG.



## DMX-Betriebsarten mit DMX-Delay-Kanal

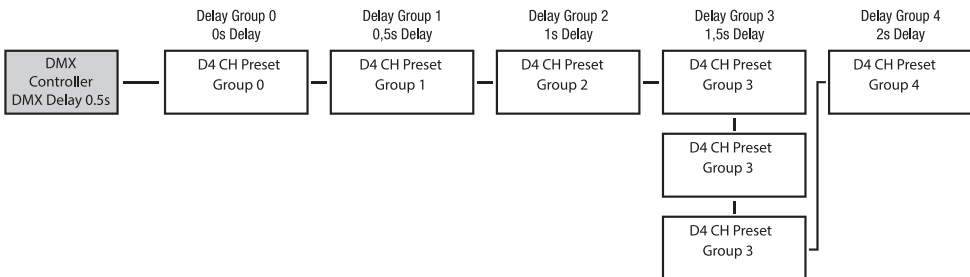
Mit Hilfe der Funktion DMX-Delay kann auf einfache Weise mit einer beliebig großen Anzahl Scheinwerfern des gleichen Modells und Softwarestands ein Lauflichteffekt realisiert werden, der sonst nur mit einem geeigneten DMX-Controller und aufwändiger Programmierung erreicht werden könnte. Dabei werden alle einbezogenen Scheinwerfer (gleiche Modelle, gleicher Softwarestand) auf die gleiche DMX-Betriebsart mit DMX-Delay-Kanal eingestellt und auf der gleichen DMX-Startadresse angesteuert.

Einstellen des DMX-Delays: Wählen Sie eine der DMX-Betriebsarten mit DMX-Delay-Kanal aus und bestätigen die Auswahl (im Beispiel D4 CH Preset). Ordnen Sie die Scheinwerfer nach Wunsch einer von bis zu 24 Gruppen zu (plus Gruppe 0), wobei auch mehrere Scheinwerfer einer Gruppe zugeordnet werden können. Die Gruppennummer ist gleichzeitig der Faktor, mit dem die im DMX-Controller eingestellte Delay-Zeit multipliziert wird. Bestätigen Sie jede Eingabe mit ENTER.



Die Delay-Zeit (Verzögerungszeit des DMX-Signals) wird mit Hilfe eines DMX-Controllers im separaten DMX-Delay-Kanal der entsprechenden DMX-Betriebsart eingestellt (0.0s bis 2.0s in 0.1s Schritten).

Setup-Beispiel:



## STAND-ALONE-MENÜ MASTER / ALONE

In den Stand-Alone-Betriebsarten Direct LED, Color Preset, CCT, HSI, Auto Program und Play Loop kann das Steuersignal der entsprechenden Betriebsart via XLR (DMX OUT) und W-DMX™ an Slave-Einheiten ausgegeben werden:

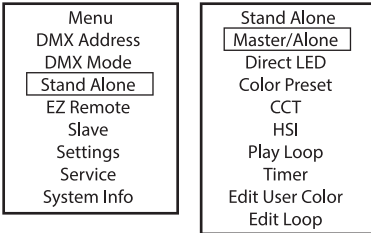
Stand Alone -> Master/Alone -> Master

Ist die Ausgabe des Steuersignals nicht gewünscht, kann die Ausgabe deaktiviert werden:

Stand Alone -> Master/Alone -> Alone

Für die zeitverzögerte Ausgabe des Steuersignals der Stand-Alone-Betriebsarten Auto Program und Play Loop kann ein Delay für Slave-Einheiten eingestellt werden.

Ausgehend von der Hauptanzeige gelangen Sie durch Drücken auf MENU in das Hauptmenü (Menu). Wählen Sie nun den Menüpunkt **Stand Alone** aus, bestätigen, wählen **Master/Alone** aus und bestätigen abermals.



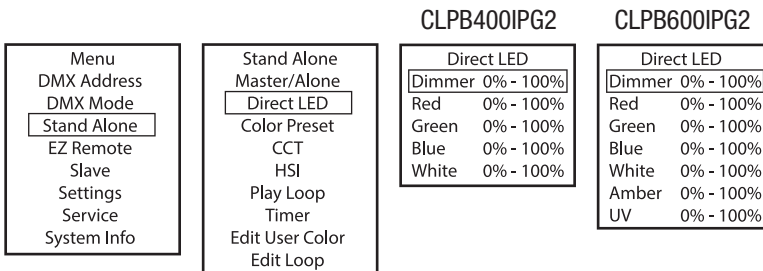
Daraufhin gelangen Sie in das Untermenü zum Einstellen der Untermenüpunkte (siehe Tabelle).

Master	Send to XLR	Steuersignal wird via DMX OUT weitergeleitet	
	Send to W-DMX	On	Weiterleiten des DMX-Steuersignals per W-DMX aktivieren
		Off	Weiterleiten des DMX-Steuersignals per W-DMX deaktivieren
		Force to pair	Koppeln mit koppelbereiten W-DMX-Geräten
		Unlink All	Alle W-DMX Verbindungen trennen
	DMX Delay	DMX-Delay für Slave-Einheiten einstellen: Off, 0.1s - 2.0s	
Alone		Steuersignal nicht weiterleiten	

### STAND-ALONE-BETRIEBSART DIRECT LED

Die Stand-Alone Betriebsart Direct LED ermöglicht es, ähnlich wie mit einem DMX-Steuergerät, Dimmer, Stroboskop (Strobe), R, G, B und W (CLPB400IPG2) bzw. R, G, B, W, A und UV (CLP-B600IPG2) direkt am Gerät einzustellen. Somit kann eine individuelle Szene erstellt werden, ohne einen zusätzlichen DMX-Controller zu benötigen.

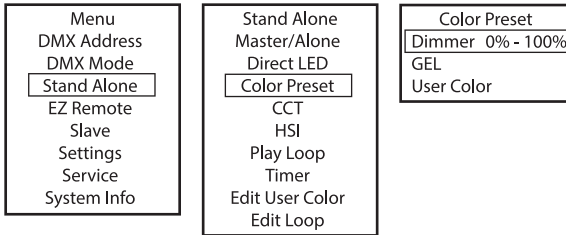
Ausgehend von der Hauptanzeige gelangen Sie durch Drücken auf MENU in das Hauptmenü. Mit Hilfe von UP und DOWN wählen Sie nun **Stand Alone** aus, bestätigen mit ENTER, wählen dann **Direct LED** aus und bestätigen abermals mit ENTER. Wählen Sie nun den Menüpunkt aus, den Sie bearbeiten möchten, bestätigen die Auswahl, stellen den gewünschten Wert ein und bestätigen die Eingabe.





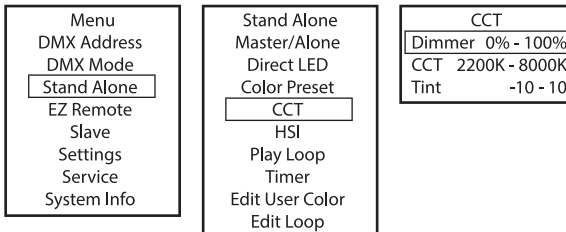
## STAND-ALONE-BETRIEBSART COLOR PRESET

49 verschiedene Farb-Presets plus acht individuell einstellbare User-Presets (siehe **Edit User Color**) stehen zur Verfügung. Die Helligkeit kann übergeordnet eingestellt werden. Ausgehend von der Hauptanzeige gelangen Sie durch Drücken auf MENU in das Hauptmenü. Mit Hilfe von UP und DOWN wählen Sie nun den Menüpunkt **Stand Alone** aus, bestätigen die Auswahl, wählen dann **Color Preset** aus und bestätigen abermals mit ENTER. Wählen Sie nun **GEL** bzw. **User Color** aus und bestätigen die Auswahl. Das gewünschte Preset kann nun ausgewählt werden, bestätigen Sie die Auswahl. Wählen Sie nun **Dimmer** (Helligkeit) aus, bestätigen die Auswahl und nehmen die Einstellungen nach Wunsch vor. Bestätigen Sie die Eingabe.



## STAND-ALONE-BETRIEBSART CCT (Correlated Color Temperature)

In der Stand-Alone-Betriebsart CCT kann die Farbtemperatur in 100K Schritten von 2200K bis 8000K eingestellt werden, zusätzlich der Farbton (Tint) und die Helligkeit (Dimmer). Ausgehend von der Hauptanzeige gelangen Sie durch Drücken auf MENU in das Hauptmenü. Mit Hilfe von UP und DOWN wählen Sie nun den Menüpunkt **Stand Alone** aus, bestätigen die Auswahl, wählen dann **CCT** aus und bestätigen abermals mit ENTER. Wählen Sie nun den Menüpunkt aus, den Sie bearbeiten möchten, bestätigen die Auswahl und nehmen die Einstellungen nach Wunsch vor. Bestätigen Sie die Eingabe.



## STAND-ALONE-BETRIEBSART HSI (Hue - Saturation - Intensity)

In der Stand-Alone-Betriebsart HSI können der Farbton (Hue), die Farbsättigung (Saturation) und die Helligkeit (Dimmer) separat nach Wunsch eingestellt werden. Ausgehend von der Hauptanzeige gelangen Sie durch Drücken auf MENU in das Hauptmenü. Mit Hilfe von UP und DOWN wählen Sie nun den Menüpunkt **Stand Alone** aus, bestätigen die Auswahl, wählen dann **HSI** aus und bestätigen abermals mit ENTER. Wählen Sie nun den Menüpunkt aus, den Sie bearbeiten möchten, bestätigen die Auswahl und nehmen die Einstellungen nach Wunsch vor. Bestätigen Sie jede Eingabe.

Menu DMX Address DMX Mode <b>Stand Alone</b> EZ Remote Slave Settings Service System Info	Stand Alone Master/Alone Direct LED Color Preset CCT <b>HSI</b> Play Loop Timer Edit User Color Edit Loop	HSI Dimmer 0% - 100% Hue 0° - 360° Saturation 0% - 100%
---	--	--

## STAND-ALONE-BETRIEBSART PLAY LOOP (8-Schritt-Farbsequenzen 1 - 8)

Die 8 verfügbaren Loops sind werksseitig vorprogrammiert, können aber im Menüpunkt **Edit Loop** individuell gestaltet werden. Die Helligkeit ist übergeordnet einstellbar. Ausgehend von der Hauptanzeige gelangen Sie durch Drücken auf MENU in das Hauptmenü. Mit Hilfe von UP und DOWN wählen Sie nun den Menüpunkt **Stand Alone** aus, bestätigen mit ENTER, wählen dann den Untermenüpunkt **Play Loop** aus und bestätigen abermals mit ENTER. Wählen Sie nun den Menüpunkt aus, den Sie bearbeiten möchten, bestätigen die Auswahl und nehmen die Einstellungen nach Wunsch vor. Bestätigen Sie jede Eingabe.

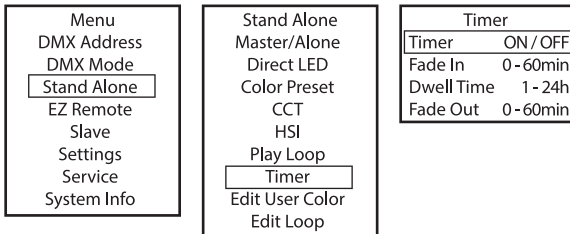
Menu DMX Address DMX Mode <b>Stand Alone</b> EZ Remote Slave Settings Service System Info	Stand Alone Master/Alone Direct LED Color Preset CCT HSI <b>Play Loop</b> Timer Edit User Color Edit Loop	Play Loop Dimmer 0% - 100% Loop 1 - 8
---	--	---

## TIMER-FUNKTION

Die Timer-Funktion ermöglicht die zeitgesteuerte Kontrolle der Stand-Alone-Betriebsarten Direct LED, Color Preset, CCT und HSI in der Art, dass die Einblendzeit (Fade In) von 0 bis 60 Minuten, die Haltezeit (Dwell Time) von 1 bis 24 Stunden und die Ausblendzeit (Fade Out) von 0 bis 60 Minuten eingestellt werden kann. Nach dem Aktivieren der Timer-Funktion wird beim nächsten Systemstart die Zeitsteuerung wie voreingestellt durchgeführt. Ausgehend von der Hauptanzeige gelangen Sie durch Drücken auf MENU in das Hauptmenü. Wählen Sie **Stand Alone** aus, bestätigen die Auswahl, wählen dann **Timer** aus und bestätigen abermals die Auswahl. Wählen Sie unter Punkt **Timer** die Einstellung **On** und bestätigen. Für die individuellen Einstellungen der Zeitsteuerung wählen Sie **Fade In**, **Dwell Time** bzw. **Fade Out** aus und bestätigen die Auswahl.

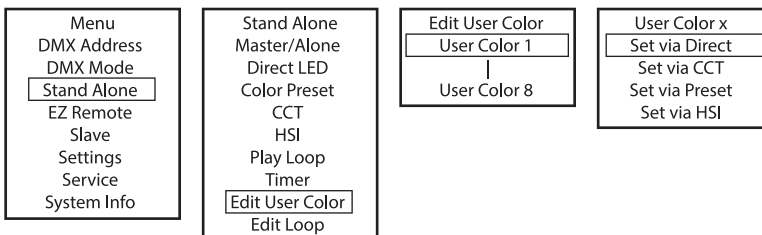
Sie können nun den jeweiligen Wert nach Wunsch einstellen. Bestätigen Sie alle Eingaben. Zum Deaktivieren der Timer-Funktion wählen Sie unter Punkt **Timer** die Einstellung **Off** aus und bestätigen die Eingabe.

Hinweis: Die Timer-Funktion ist für den Einsatz im Master/Slave-Betrieb via Kabel und W-DMX™ geeignet.



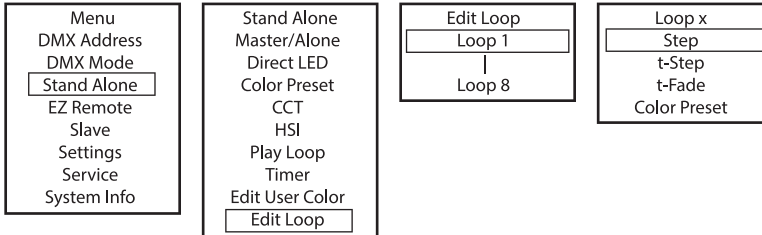
### USER-PRESETS EDITIEREN (Edit User Color)

Die acht in der Stand-Alone-Betriebsart Color Preset verfügbaren User-Presets sind individuell editierbar. Ausgehend von der Hauptanzeige gelangen Sie durch Drücken auf MENU in das Hauptmenü. Mit Hilfe von UP und DOWN wählen Sie nun den Menüpunkt **Stand Alone** aus, bestätigen mit ENTER, wählen dann **Edit User Color** aus und bestätigen abermals. Wählen Sie das gewünschte Preset aus (User Color 1 - 8) und bestätigen die Auswahl. Entscheiden Sie nun, auf welche Weise Sie die Farbe für das Preset erstellen möchten und wählen eine der vier Methoden Direct, CCT, Preset und HSI aus und bestätigen die Auswahl. Stellen Sie nun die gewünschte Farbe ein, wie in der Anleitung der jeweiligen Stand-Alone-Betriebsart beschrieben.



## LOOP EDITIEREN (Edit Loop)

Die Helligkeit, die Schrittdauer und die Überblendzeit sind bei allen acht Loops separat einstellbar. Ausgehend von der Hauptanzeige gelangen Sie durch Drücken auf MENU in das Hauptmenü. Mit Hilfe von UP und DOWN wählen Sie nun den Menüpunkt **Stand Alone** aus, bestätigen mit ENTER, wählen dann **Edit Loop** aus und bestätigen abermals. Wählen Sie nun den gewünschten Loop zum Editieren aus und bestätigen die Auswahl.

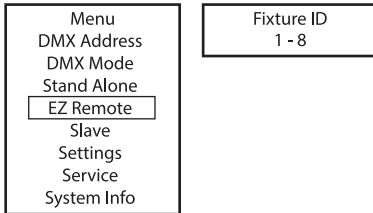


Daraufhin gelangen Sie in das Untermenü zum Einstellen der Untermenüpunkte (siehe Tabelle). Die Einstellungen werden für jeden Loop separat vorgenommen und bleiben auch nach einem Neustart des Geräts erhalten.

Step	1 - 8	Auswahl des Schritts
T-Step	T-Step 0s - 10s = 0,1s steps 10s - 1min = 1s steps 1min - 20min = 1min steps	Einstellen der Schrittdauer für den ausgewählten Schritt
T-Fade	T-Fade 0s - 10s = 0,1s steps 10s - 1min = 1s steps 1min - 20min = 1min steps	Einstellen der Überblendzeit für den ausgewählten Schritt
Color Preset	Step 1 + 2: Dark Magenta - Rose Pink, User Color 1 - 8, Blackout	Auswahl des Farb-Presets bzw. Blackout für den ausgewählten Schritt
	Step 3 - 8: Dark Magenta - Rose Pink, User Color 1 - 8, Blackout, Skip Step	Auswahl des Farb-Presets bzw. Blackout bzw. ausgewählten Schritt überspringen

## EZ REMOTE STEUERUNG PER CAMEO UNICON (optional erhältlich)

Ausgehend von der Hauptanzeige gelangen Sie durch Drücken auf MENU in das Hauptmenü. Mit Hilfe von UP und DOWN wählen Sie nun den Menüpunkt **EZ Remote** aus und bestätigen durch Drücken auf ENTER. Stellen Sie nun die gewünschte Geräte-ID (Fixture ID 1 - 8) ein und bestätigen die Eingabe. Verbinden Sie Scheinwerfer und UNICON mit Hilfe eines DMX-Kabels, wählen im Menü des UNICON **DMX Control**, dann **EZ Remote** und stellen dort die gleiche Geräte-ID ein. Steuern Sie nun den Scheinwerfer wahlweise per RGB, GEL, CCT oder HSI. Durch die Vergabe unterschiedlicher Geräte-IDs, können bis zu acht Scheinwerfer (oder Scheinwerfergruppen) separat per UNICON gesteuert werden.



## SLAVE-BETRIEB

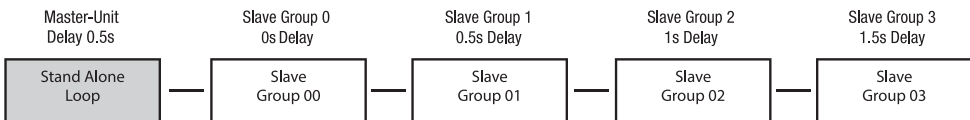
**Standard Slave-Betrieb:** Ausgehend von der Hauptanzeige gelangen Sie durch Drücken auf MENU in das Hauptmenü. Mit Hilfe der Taster UP und DOWN wählen Sie nun den Menüpunkt **Slave** aus, bestätigen mit ENTER, wählen dann die Slave-Gruppe 0 (Slave Group 0) aus und bestätigen wiederum mit ENTER. Verbinden Sie die Slave- und die Master-Einheit (gleiches Modell, gleicher Softwarestand) mit Hilfe eines DMX-Kabels oder per W-DMX™ und aktivieren Sie in der Master-Einheit eine der Stand-Alone-Betriebsarten (Direct LED, Color Preset, CCT, HSI, Auto Program, Play Loop). Nun folgt die Slave-Einheit exakt der Master-Einheit.

**Erweiterter Slave-Betrieb:** Wenn Sie beim Master / Slave-Betrieb die Steuerung der Slave-Einheiten durch eine der Stand-Alone-Betriebsarten **Auto Program** oder **Play Loop** durchführen möchten, kann das Steuersignal in bis zu 24 Stufen zeitlich verzögert wiedergegeben werden, die Verzögerung wird im **Stand Alone Menü Master/Alone** in der Master-Einheit übergeordnet eingestellt, der Verzögerungsfaktor im Slave-Menü des entsprechenden Scheinwerfers (Group). Somit kann auf einfache Weise mit einer beliebig großen Anzahl Scheinwerfern des gleichen Modells und Softwarestands ein Lauflichteffekt realisiert werden, der sonst nur mit einem geeigneten DMX-Controller und aufwändiger Programmierung erreicht werden könnte. Verbinden Sie die Slave- und die Master-Einheit (gleiches Modell, gleicher Softwarestand) mit Hilfe eines DMX-Kabels oder per W-DMX™

Menu DMX Address DMX Mode Stand Alone EZ Remote <input type="checkbox"/> Slave <input type="checkbox"/> Settings Service System Info	Slave Group Receive Mode		Group	0 - 24	Slave-Gruppe für Signal-Delay einstellen
	XLR (permanent aktiv)				
	Receive Mode	Wireless	On		W-DMX Modul aktivieren
			Off		W-DMX Modul deaktivieren
		Unlink		Alle Verbindungen trennen und in Koppelbereitschaft versetzen	

Ordnen Sie die Scheinwerfer nach Wunsch einer von bis zu 24 Gruppen (plus Gruppe 0) zu, wobei auch mehrere Scheinwerfer einer Gruppe zugeordnet werden können. Die Gruppennummer ist gleichzeitig der Faktor, mit dem die in der Master-Einheit eingestellte Delay-Zeit multipliziert wird.

Setup-Beispiel:



## SYSTEMEINSTELLUNGEN (Settings)

Ausgehend von der Hauptanzeige gelangen Sie durch Drücken auf MENU in das Hauptmenü. Mit Hilfe von UP und DOWN wählen Sie nun den Menüpunkt **Settings** aus und bestätigen mit ENTER.

Menu DMX Address DMX Mode Stand Alone EZ Remote <input type="checkbox"/> Slave <input checked="" type="checkbox"/> Settings Service System Info
---

Daraufhin gelangen Sie in das Untermenü zum Einstellen der Untermenüpunkte (siehe Tabelle,

Auswahl mit UP und DOWN, bestätigen mit ENTER, Wert bzw. Status ändern mit UP und DOWN, bestätigen mit ENTER).

Wireless	=	Wireless-Einstellungen	W-DMX State	On	W-DMX aktiviert
				Off	W-DMX deaktiviert
			Operating Mode	Receive	W-DMX-Betriebsart: Empfänger
				Transmit	G3 (Sendestandard G3)
					G4s (Sendestandard G4s)
			Linking	Unlink	Entkoppeln aller Geräte und Koppelbereitschaft versetzen
				Link/Force to pair	Mit W-DMX-Geräten koppeln. W-DMX muss bei allen Geräten aktiviert und die Kopplung mit einem Transmitter aufgehoben sein (Receive Reset).
			Signal Routing	Send to XLR	Eingehendes Signal an XLR-Anschluss senden
				Backup by XLR	Verwenden des eingehenden Signals vom XLR-Anschluss, wenn das W-DMX-Signal verloren geht.
Receive only	Keine Verbindung zwischen W-DMX-Signal und XLR-Anschlüssen				
Display	=	Display-Einstellungen	Reverse	On	Drehung der Display-Anzeige um 180° (z.B. Kopfübermontage)
				Off	Keine Drehung der Display-Anzeige
			Off Timer	Always On	Display-Beleuchtung permanent an
				Off after 20s	Deaktivierung der Display-Beleuchtung nach ca. 20 Sekunden Inaktivität
			Autolock	Off	Funktion deaktiviert
				On after 60s	Bedienelemente und Display werden nach ca. 60 Sekunden ohne Bedienvorgang gesperrt. Entsperren: UP und DOWN für ca. 5 Sekunden gleichzeitig drücken
Dimmer	=	Dimmverhalten und PWM- Frequenz	Curve-	Linear	Dimmerkurve: Die Lichtintensität steigt linear mit dem DMX-Wert an
				Exponential	Dimmerkurve: Die Lichtintensität lässt sich im unteren DMX-Wertbereich fein und im oberen DMX-Wertbereich grob einstellen
				Logarithmic	Dimmerkurve: Die Lichtintensität lässt sich im unteren DMX-Wertbereich grob und im oberen DMX-Wertbereich fein einstellen
				S-Curve	Dimmerkurve: Die Lichtintensität lässt sich im unteren und oberen DMX-Wertbereich fein und im mittleren DMX-Wertbereich grob einstellen

Dimmer	=	Dimmverhalten und PWM - Frequenz	PWM Frequency	650 Hz, 1530 Hz, 3600 Hz, 12 kHz, 18.9 kHz, 25 kHz	Auswählen der LED PWM Frequenz
			Response	LED	Der Strahler reagiert abrupt auf Änderungen des DMX-Werts
				Halogen	Der Strahler verhält sich ähnlich einem Halogenstrahler mit sanften Helligkeitsänderungen
			Redshift	Dim to Warm	Imitiert die Farbdrift beim Dimmen eines Halogenscheinwerfers. Beim Herunterdimmen des Scheinwerfers verändert sich die Farbtemperatur automatisch zunehmend zu wärmeren Weißtönen und Amber (und umgekehrt)
Off	Funktion deaktiviert				
Color Calibration	=	Farbkalibrierung	RAW		R, G, B, und W (CLPB400IPG2) bzw. R, G, B, W, A und Uv (CLPB600IPG2) mit Maximalwert 255
			User	CLPB400IPG2: RGBW CLPB600IPG2: RGB-WAUv	Individuelle Farb-Kalibrierung. Betriebsartübergreifende Helligkeitseinstellung mit Werten von 0 - 255
			Factory		Werksseitige Kalibrierung (betriebsartübergreifend)
			Smart		Zusammenführung von Factory- und RAW-Kalibrierung
Signal Fail	=	Betriebszustand bei Steuersignal-Unterbrechung	Hold		Letzter Befehl wird gehalten
			Last Stand Alone		Zuletzt aktivierte Stand-Alone-Betriebsart wird gestartet
			Fade to Black (10s)		10s Fade zu Blackout
			Blackout		Sofortiger Blackout
			User Color 1		User Color 1 wird aktiviert
			Full		Full On
Pixel Mirror	=	Pixel spiegeln	Off		Funktion deaktiviert
			On		Pixel werden gespiegelt



Store Default	=	Sichern aller Systemeinstellungen in 3 individuellen Presets	User A	Sichern mit ENTER
			User B	Sichern mit ENTER
			User C	Sichern mit ENTER

### SERVICE-MENÜ (Service)

Ausgehend von der Hauptanzeige gelangen Sie durch Drücken auf MENU in das Hauptmenü (Main Menu). Wählen Sie mit Hilfe von UP und DOWN **Service** aus und bestätigen mit ENTER.

Menu
DMX Address
DMX Mode
Stand Alone
EZ Remote
Slave
Settings
<b>Service</b>
System Info

Informationen zu den Untermenüpunkten im Service-Menü und den entsprechenden Optionen finden Sie in untenstehender Tabelle (Auswahl mit UP und DOWN, bestätigen mit ENTER, Wert bzw. Status ändern mit UP und DOWN, bestätigen mit ENTER).

Load Default	Factory	Zurücksetzen auf Werkseinstellung
	User A	Zurücksetzen auf User A Werte (User Werte speichern: Settings -> Store Default)
	User B	Zurücksetzen auf User B Werte (User Werte speichern: Settings -> Store Default)
	User C	Zurücksetzen auf User C Werte (User Werte speichern: Settings -> Store Default)
Reset Service	No	Vorgang abbrechen
Timer	Reset now	Service-Betriebszeit zurücksetzen
Password	Nur für Service-Zwecke	

### SYSTEMINFORMATIONEN (System Info)

Ausgehend von der Hauptanzeige gelangen Sie durch Drücken auf MENU in das Hauptmenü (Main Menu). Wählen Sie mit Hilfe von UP und DOWN **System Info** aus und bestätigen mit ENTER.

Menu  
 DMX Address  
 DMX Mode  
 Stand Alone  
 EZ Remote  
 Slave  
 Settings  
 Service  
 System Info

Informationen zu den Untermenüpunkten im System-Info-Menü und den entsprechenden Optionen finden Sie in untenstehender Tabelle (Auswahl mit UP und DOWN, bestätigen mit ENTER, Wert bzw. Status ändern mit UP und DOWN, bestätigen mit ENTER).

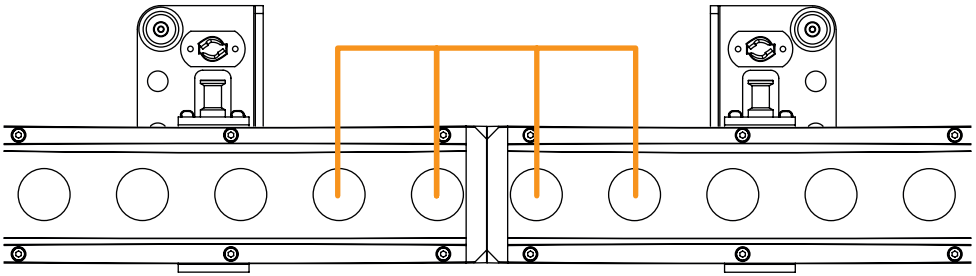
Firmware	DISP	Vx.x.x	Anzeige der Firmware-Version der entsprechenden Komponente
	DRV	Vx.x.x	
Temperature	LED	xxx °C/°F	Anzeige der Temperatur der entsprechenden Komponente
	Temperature Unit	°C °F	Einstellen der Temperatureinheit
Runtime	Total	xxxx h : xx m	Gesamtbetriebszeit
	Operation	xxxx h : xx m	Nutzzeit
	LED	xxxx h : xx m	Betriebszeit des Leuchtmittels
	Service	xxxx h : xx m	Betriebszeit nach dem Zurücksetzen der Service-Betriebszeit
RDM-UID	RDM Unique Identifier (eindeutige Kennung)		

## MONTAGE



**GEFAHR:** Überkopfmontage erfordert umfassende Erfahrung, einschließlich der Berechnung der Grenzwerte für die Arbeitslast, des verwendeten Installationsmaterials und der regelmäßigen Sicherheitsüberprüfung aller Installationsmaterialien und Scheinwerfer! Wenn Sie diese Qualifikationen nicht haben, versuchen Sie nicht, eine Installation selbst durchzuführen, sondern nutzen Sie die Hilfe von professionellen Unternehmen! Es besteht die Gefahr, dass sich nicht korrekt montierte und gesicherte Geräte lösen und herabfallen. Dadurch können Personen schwer verletzt oder getötet werden.

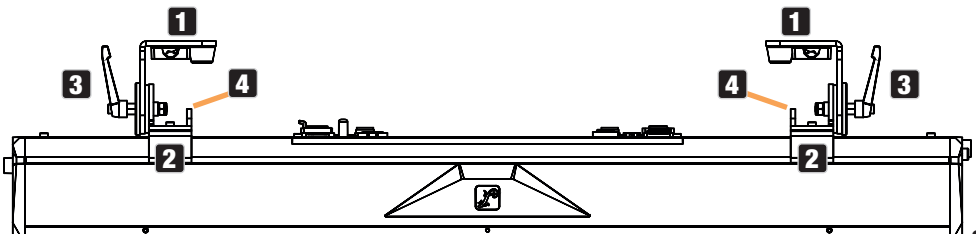
Durch den einzigartigen Kopplungsmechanismus entsteht beim Docken mehrerer PIXBAR® G2 auch bei den Übergängen von einer zur nächsten PIXBAR® G2 ein einheitlicher Pixelabstand.



Dank der verstellbaren Stand- bzw. Montagefüße kann die PIXBAR® G2 an einer geeigneten Position auf einem ebenen Boden aufgestellt werden (z.B. als Uplight).

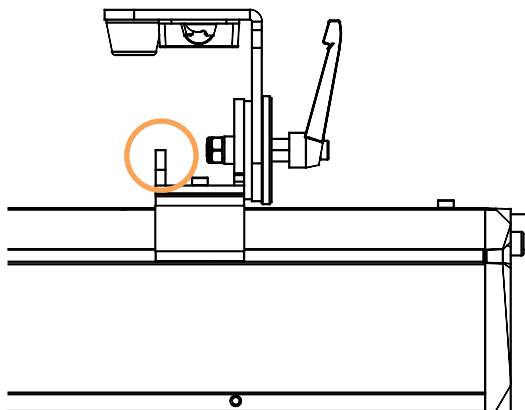
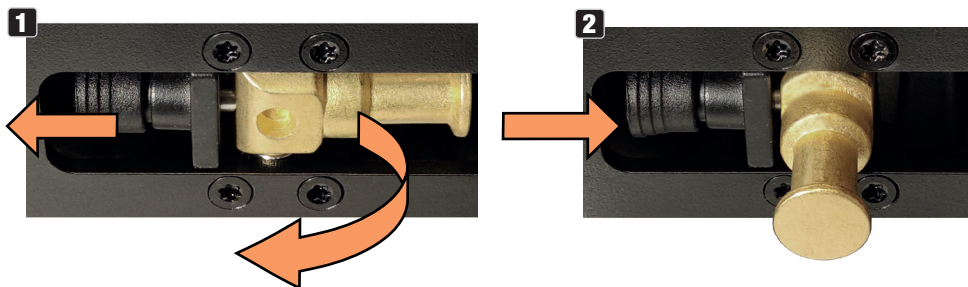
### MONTAGE EINER PIXBAR® AN EINER TRAVERSE

Die Montage an einer Traverse erfolgt mit Hilfe optional erhältlicher Traversenklemmen, die entweder direkt an den Montagefüßen befestigt werden (1), oder an optional erhältlichen Omega-Montagebügeln (Artikelnummer CLOMEGABRACKET1). Die Montagefüße können am Gehäuse der PIXBAR® G2 verschoben werden, lösen Sie dafür die mittlere der fünf Innensechskantschrauben (2), verschieben den Fuß in die gewünschte Position und ziehen die Schraube wieder fest. Die Abstrahlrichtung kann mit Hilfe der Knebelschrauben (3) an den Montagefüßen eingestellt werden. Sorgen Sie für feste Verbindungen und dafür, dass sich die PIXBAR® G2 nicht lösen kann. Sichern Sie die PIXBAR® G2 bei der Überkopfmontage mit einem geeigneten Sicherungsseil an einer der dafür vorgesehenen Sicherungsösen (4). Bei der horizontalen Überkopfmontage mehrerer gedockter PIXBAR® G2 muss jede einzelne PIXBAR® G2 mit den Montagefüßen separat an der Traverse befestigt und mit einem geeigneten Sicherungsseil gesichert werden.



## SPIN16 TV-ZAPFEN FÜR DIE MONTAGE VERWENDEN

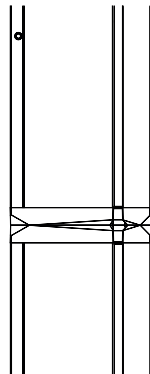
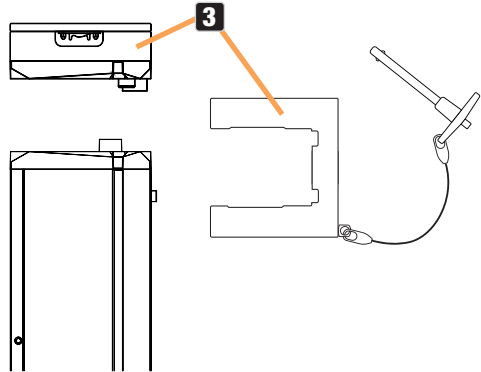
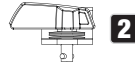
Die Montagefüße der PIXBAR® G2 verfügen über werkzeuglos aus- und einklappbare 16 mm TV-Zapfen. Zum Ausklappen eines TV-Zapfens ziehen Sie den gefederten Verriegelungsbolzen in Pfeilrichtung aus dem Verriegelungsloch (1), klappen den TV-Zapfen nach vorne und lassen den Verriegelungsbolzen in das um 90° versetzte Verriegelungsloch einrasten (2). Verwenden Sie für die Montage geeignete Traversenklemmen. Sorgen Sie für feste Verbindungen und dafür, dass sich der Scheinwerfer nicht lösen kann. Sichern Sie den Scheinwerfer bei der Überkopfmontage mit einem geeigneten Sicherungsseil an einer der dafür vorgesehenen Sicherungsösen (siehe Markierung).



## VERTIKAL HÄNGENDE MONTAGE AN EINER TRAVERSE

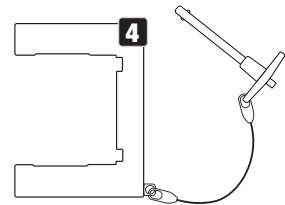
Für die vertikal hängende Montage dürfen bis zu drei PIXBAR® G2 miteinander verbunden werden. Hierfür müssen folgende optional erhältliche Produkte verwendet werden:

- 1** Eine geeignete Traversenklemme mit ausreichender Tragkraft für die Gesamtlast (z.B. Halfcoupler).
- 2** Ein Omega Bracket (Artikelnummer CLOMEGABRACKET1).
- 3** Ein Anschlagset (Artikelnummer CLPBG2VERTIMOUNT).
- 4** Ein bzw. zwei Verbindungselemente werden benötigt, um zwei bzw. drei PIXBAR® G2 miteinander zu verbinden und die Verbindung zu sichern (Artikelnummer CLPBG2STACKKIT).



Die Sicherungsöse des oberen Fußes der obersten Bar dient als Sicherungspunkt. Achten Sie darauf, dass das zur Sicherung der Bars verwendete Sicherungsseil für das Gesamtgewicht der Bars geeignet ist.

Aus optischen Gründen können die Montagefüße an die Gehäuseseite geklappt werden. Ein Gummipuffer verhindert dabei, dass die Oberfläche beschädigt wird.



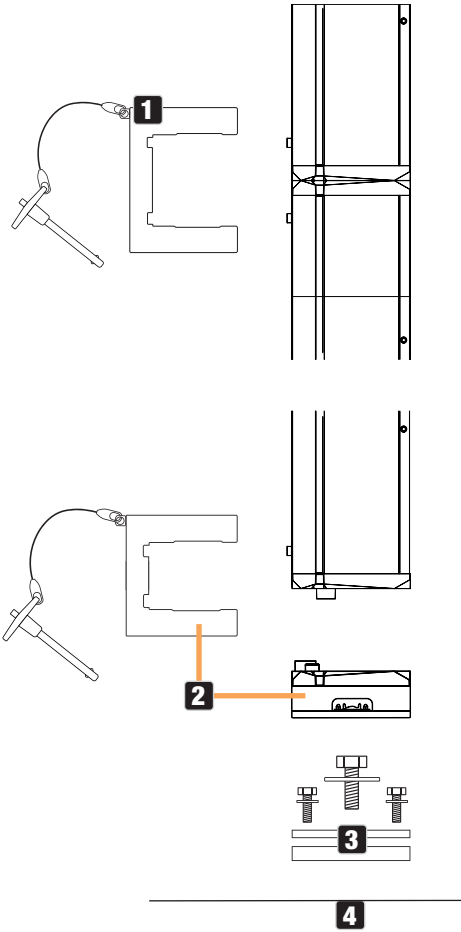
## SENKRECHTE BODENMONTAGE

Für die senkrechte Bodenmontage dürfen maximal zwei PIXBAR® G2 miteinander verbunden werden. Hierfür müssen folgende optional erhältliche Produkte verwendet werden:

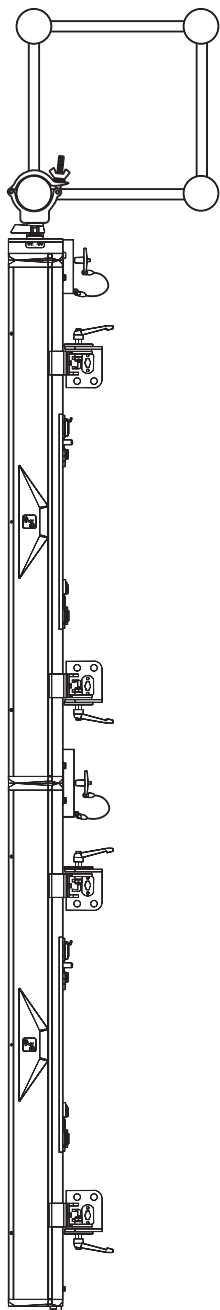
- 1** Ein Verbindungselement (Artikelnummer CLPBG2STACKKIT).
- 2** Ein Anschlagset (Artikelnummer CLPBG2VERTIMOUNT).
- 3** Ein M20 Verbindungsset (Artikelnummer CLPBG2M20ADA).
- 4** Ein schwerer Standfuß aus Stahl mit M20 Gewinde und ausreichender Standfestigkeit für die Gesamtlast.

Die Standsicherheit in Kombination mit dem verwendeten Standfuß muss durch den Anwender beurteilt werden. Es dürfen keine zusätzlichen Lasten eingeleitet werden.

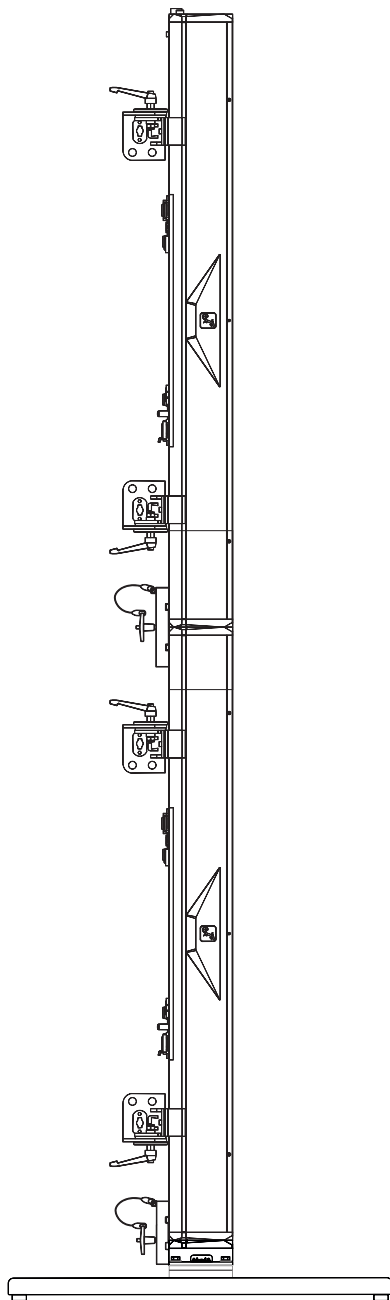
Aus optischen Gründen können die Montagefüße an die Gehäuseseite geklappt werden. Ein Gummipuffer verhindert dabei, dass die Oberfläche beschädigt wird.



## VERTIKAL HÄNGENDE TRAVERSE



## SENKRECHTE BODENMONTAGE



ENGLISH

DEUTSCH

FRANCAIS

ESPAÑOL

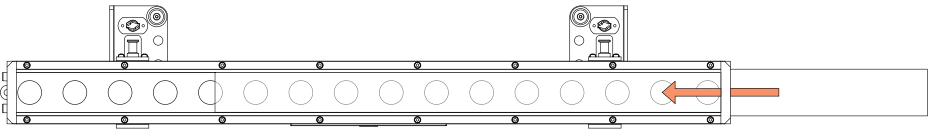
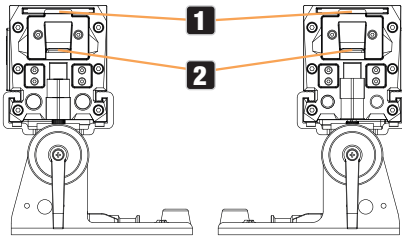
POLSKI

ITALIANO

DMX

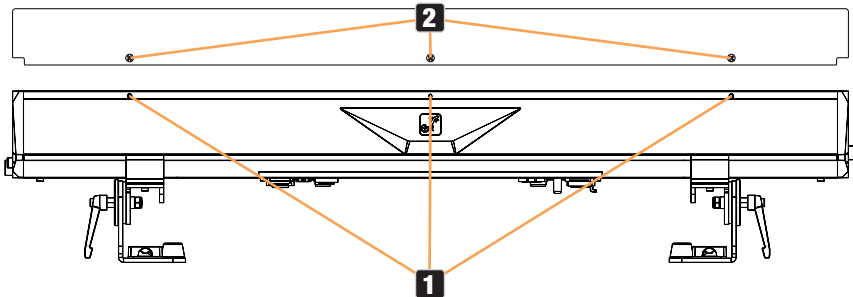
## FROSTFILTER

Ein Standard Frostfilter ist im Lieferumfang der PIXBAR® G2 enthalten. Um den Frostfilter in die dafür vorgesehene Halterung (1) der Bar einzusetzen, öffnen Sie den Schieberiegel an einem Ende der Bar ((2), am Griff nach unten schieben). Nachdem Sie den Frostfilter in die Halterung eingesetzt haben, schließen Sie den Riegel wieder, um das Herausfallen des Filters zu verhindern.



## BLENSCHUTZ

Eine Blendschutz ist im Lieferumfang der PIXBAR® G2 enthalten. Auf beiden Seiten der PIXBAR® G2 befinden sich jeweils drei Gewinde an der Oberkante des Gehäuses (1). Montieren Sie den Blendschutz mit Hilfe der drei Rändelschrauben (2) an die gewünschte Seite der PIXBAR® G2.





## PFLEGE, WARTUNG UND REPARATUR

Um die einwandfreie Funktion des Geräts auf Dauer zu gewährleisten, muss es regelmäßig gepflegt und bei Bedarf gewartet werden. Der Pflege- bzw. Wartungsbedarf steht in Abhängigkeit der Nutzungsintensität und -umgebung.

Wir empfehlen generell eine Sichtprüfung vor jeder Inbetriebnahme. Weiterhin empfehlen wir alle 500 Betriebsstunden, oder bei geringerer Nutzungsintensität spätestens nach Ablauf eines Jahres alle unten genannten und zutreffenden Pflegemaßnahmen durchzuführen. Bei Mängeln, die auf eine unzureichende Pflege zurückzuführen sind, kann es zu Einschränkungen der Garantieansprüche kommen.

### PFLEGE (vom Anwender durchführbar)



**WARNUNG!** Vor jeglichen Pflegemaßnahmen müssen die Spannungsversorgung und sofern möglich sämtliche Geräteverbindungen getrennt werden.



**HINWEIS!** Unsachgemäße Pflege kann zu Beeinträchtigung des Gerätes führen bis hin zur Zerstörung.

1. Gehäuseoberflächen müssen mit einem sauberen, feuchten Tuch gereinigt werden. Dabei ist darauf zu achten, dass keine Feuchtigkeit in das Gerät eindringen kann.
2. Luft Ein- und Austrittsöffnungen müssen regelmäßig von Staub und Schmutz befreit werden. Im Fall des Einsatzes von Druckluft ist darauf zu achten, dass Beschädigungen am Gerät verhindert werden (z.B. müssen Lüfter für diesen Fall blockiert werden, da sie sonst überdrehen könnten).
3. Leitungen und Steckkontakte sind regelmäßig zu reinigen und von Staub und Schmutz zu befreien.
4. Es dürfen generell keine Reinigungsmittel oder Mittel mit schleifender Wirkung zur Pflege verwendet werden, andernfalls ist mit Beeinträchtigung der Oberflächenbeschaffenheit zu rechnen.
5. Geräte sind generell trocken zu lagern und vor Staub und Verschmutzung zu schützen.
6. Um den korrekten und sicheren Betrieb zu gewährleisten, müssen sämtliche zugängliche oder herausnehmbare Linsen und Lichtaustrittsöffnungen regelmäßig gereinigt werden.

### WARTUNG UND REPARATUR (nur durch Fachpersonal)



**GEFAHR!** Im Gerät befinden sich Spannungsführende Bauteile. Auch nach Trennung der Netzverbindung kann noch Restspannung im Gerät vorhanden sein, z.B. durch geladene Kondensatoren.



**HINWEIS!** Im Gerät befinden sich keine für den Anwender zu wartenden Baugruppen.



**HINWEIS!** Wartungs- und Reparaturmaßnahmen dürfen nur von ausreichend qualifiziertem Fachpersonal durchgeführt werden. Im Zweifel wenden Sie sich an eine Fachwerkstatt.



**HINWEIS!** Unsachgemäß ausgeführte Wartungsarbeiten können den Gewährleistungsanspruch beeinträchtigen.



**HINWEIS!** Bei vom Hersteller vorgesehenen Um- oder Nachrüstsets beachten Sie unbedingt die beiliegende Einbauanleitung.

## OPTIONALES ZUBEHÖR

### CLPBG2FILTER55

55° Frostfilter

### CLPBG2FILTER70

70° Frostfilter

### CLPBG2FILTER2555

25° x 55° Frostfilter

### CLPBG2STACKKIT

Verbindungselement für die sichere mechanische Verbindung von zwei PIXBAR® G2

### CLPBG2VERTIMOUNT

Anschlagset für die Montage einer PIXBAR® G2 an den Omega-Montagebügel CLOMEGABRACKET1 und für die Montage an das Verbindungsset CLPBG2M20ADA

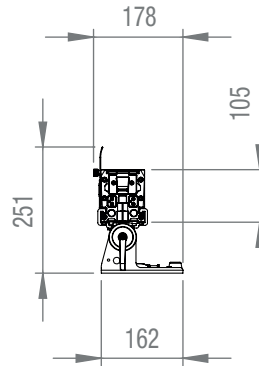
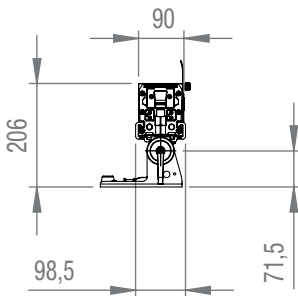
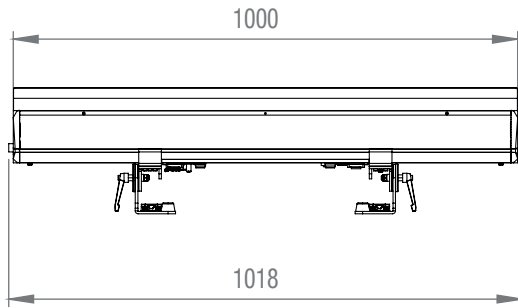
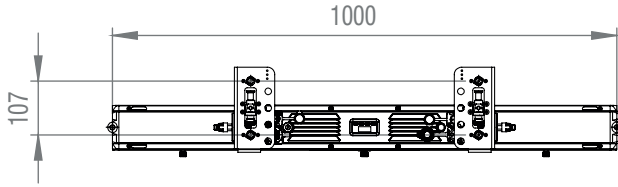
### CLOMEGABRACKET1

Omega-Montagebügel

### CLPBG2M20ADA

Verbindungsset für die Montage einer PIXBAR® G2 an einen Standfuß mit M20 Gewinde

# ABMESSUNGEN (mm)



## TECHNISCHE DATEN

ENGLISH

Artikelnummer	CLPB400IPG2	CLPB600IPG2
---------------	-------------	-------------

Produktart:	Statische LED-Lampe	Statische LED-Lampe
-------------	---------------------	---------------------

Typ	LED Bar	LED Bar
-----	---------	---------

LED Typ	16 x 4in1 RGBW	16 x 6in1 RGBWAUv
---------	----------------	-------------------

Lichtstrom	6500 lm @ 6300 K; R: 2500 lm; G: 3600 lm; B: 570 lm; W: 5000 lm	5300 lm bei voller Leistung; R: 1580 lm; G: 2755 lm; B: 427 lm; W: 3175 lm; A: 1753; UV: n/a
------------	--	--

Linse/Optik	16 x Acryl-Linse	16 x Acryl-Linse
-------------	------------------	------------------

PWM-Frequenz	650 Hz; 1530 Hz; 3600 Hz; 12000 Hz; 18900 Hz; 25000 Hz	650 Hz; 1530 Hz; 3600 Hz; 12000 Hz; 18900 Hz; 25000 Hz
--------------	---	---

Dimmer-Auflösung	8 / 16 Bit	8 / 16 Bit
------------------	------------	------------

Dimmer-Kurven	Linear, Exponentiell, S-Kurve, Logarithmisch	Linear, Exponentiell, S-Kurve, Logarithmisch
---------------	---	---

Halogen-Simulation	Ja	Ja
--------------------	----	----

Stroboskop	0 Hz - 20 Hz	0 Hz - 20 Hz
------------	--------------	--------------

CRI	>84 @ 5600 K	>77
-----	--------------	-----

Abstrahlwinkel/ Feldwinkel	25° / 42°	24° / 46°
-------------------------------	-----------	-----------

LED Farbe	R: 625 nm; G: 518 nm; B 545 nm; W: 6036 K	R: 635 nm; G: 519 nm; B: 448 nm; W: 6100 K; A: 602 nm; UV: 400 nm
-----------	--	--

Farbmischung	RGBW	RGBWAUv
--------------	------	---------

Farbsteuer-Modi	RGBW Direkt; CCT + Farbton; HSI; Farbvoreinstellungen	RGBWAUv Direkt; CCT + Farbton; HSI; Farbvoreinstellungen
-----------------	--	---

CCT	2200 K - 8000 K	2200 K - 8000 K
-----	-----------------	-----------------

Kalibrierung	Raw; Factory; Smart	Raw; Factory; Smart
--------------	---------------------	---------------------

Kontrollprotokolle	DMX; RDM; Wireless; Stand-Alone; Master-Slave; EZ-Remote	DMX; RDM; Wireless; Stand-Alone; Master-Slave; EZ-Remote
--------------------	---	---

Daten- verbindungen	5-Pin XLR in/out IP65; Wireless DMX	5-Pin XLR in/out IP65; Wireless DMX
------------------------	-------------------------------------	-------------------------------------

DMX-Modi	1CH; 3CH; 4CH; 7CH; 8CH; 10CH; 11CH; 16CH; 36CH; 48CH; 64CH; 68CH; D2CH; D4CH; D7CH	1CH; 3CH; 6CH; 9CH; 12CH; 12CH; 13CH; 20CH; 44CH; 48CH; 96CH; 100CH; D2CH; D4CH; D9CH
----------	---	---

DMX-Funktionen	Dimmer; Dimmer fein; Stro- boskop-Funktionen; Rot; Rot fein; Grün; Grün fein; Blau; Blau fein; Weiß; Weiß fein; Farbtemperatur; Farbton; Farbvoreinstellungen; Farbvoreinstellungsüberblendung; Auswahlordner; Muster; Muster- geschwindigkeit;	Dimmer; Dimmer fein; Stro- boskop-Funktionen; Rot; Rot fein; Grün; Grün fein; Blau; Blau fein; Weiß; Weiß fein; Bernstein; Bernstein fein; UV; UV fein; Farbtemperatur; Farbton; Farbvoreinstellungen; Farbvoreinstel- lung Überblendung; Auswahlordner; Muster; Mustergeschwindigkeit;
----------------	--	--

DEUTSCH

FRANCAIS

ESPAÑOL

POLSKI

ITALIANO

DMX

DMX-Funktionen	Musterübergang; Laufendes Effektmuster; Hintergrund-Dimmer; Hintergrund-Dimmer fein; Hintergrund-Stroboskop-Funktionen; Hintergrund-Rot; Hintergrund-Rot fein; Hintergrund-Grün; Hintergrund-Grün fein; Hintergrund-Blau; Hintergrund-Blau fein; Hintergrund-Weiß; Hintergrund-Weiß fein; Hintergrund-Farbtemperatur; Hintergrund-Tönung; Hintergrund-Farbmakro; Hintergrund-Makro-Überblendung; Geräteeinstellungen; Gruppierung; DMX-Delay (EZ-Chase); Pixel: R1, G1, B1, W1,... R16, G16, B16, W16	Musterübergang; Laufendes Effektmuster; Hintergrunddimmer; Hintergrunddimmer fein; Hintergrundstroboskop-Funktionen; Hintergrundrot; Hintergrundrot fein; Hintergrundgrün; Hintergrundgrün fein; Hintergrundblau; Hintergrundblau fein; Hintergrundweiß; Hintergrundweiß fein; HintergrundBernstein; HintergrundBernstein fein; HintergrundUV; HintergrundUV fein; HintergrundFarbtemperatur; HintergrundTönung; HintergrundFarbmakro; HintergrundMakro-Überblendung; Geräteeinstellungen; Gruppierung; DMX-Verzögerung (EZ-Chase); Pixel: R1, G1, B1, W1, A1, Uv1,... R16, G16, B16, W16, A16, Uv16
RDM-Funktionen	Cameo Standard-RDM-Funktionen	Cameo Standard-RDM-Funktionen
Stand-Alone	Auto; Statisch; CCT; HSI; Farbvoreinstellung; Wiedergabeschleife; Slave; Timer	Auto; Statisch; CCT; HSI; Farbvoreinstellung; Wiedergabeschleife; Slave; Timer
Systemeinstellungen	Drahtlos; Display Reverse; Display off Timer; Autolock; Signal Fail; Dimmer Curve; Dimmer Response; Redshift; PWM Frequenz; Farbkalibrierung; Load Default; Store Default; Service	Drahtlos; Display Reverse; Display off Timer; Autolock; Signal Fail; Dimmer Curve; Dimmer Response; Redshift; PWM Frequenz; Farbkalibrierung; Load Default; Store Default; Service
Bedienelemente	4-Tasten: MENU; ENTER; UP; DOWN	4-Tasten: MENU; ENTER; UP; DOWN
Anzeige	2-zeilig, OLED	2-zeilig, OLED
IP-Schutzart	IP65 für die Verwendung im Freien	IP65 für die Verwendung im Freien
Zulässige Umgebungstemperatur (im Betrieb)	T -20°C - 45°C (Gerät in Betrieb) -10°C - 45°C (Display in Betrieb)	T -20°C - 45°C (Gerät in Betrieb) -10°C - 45°C (Display in Betrieb)
Luftfeuchtigkeit	Bis zu 100% (nicht kondensierend)	Bis zu 100% (nicht kondensierend)
Kühlungssystem	Passive Konvektion, Lüfterlos	Passive Konvektion, Lüfterlos
Geräuschpegel	Geräuscharm	Geräuscharm
Betriebsspannung	100 - 240 V AC, 50 - 60 Hz	100 - 240 V AC, 50 - 60 Hz
Max. Stromaufnahme	0,77 A @ 230 V; 1,62 A @ 110 V	0,77 A @ 230 V; 1,62 A @ 110 V
Einschaltstrom	42 A	39 A

Max. Leistungsaufnahme	180 W @ 230 V / 110 V	180 W @ 230 V / 110 V
Standby-Leistung	9 W	9 W
Netzanschlüsse	Seetronic IP65 Ein + Aus	Seetronic IP65 Ein + Aus
Powerlink	Bis zu 9 Geräte bei 230 V; bis zu 5 Geräte bei 110 V	Bis zu 9 Geräte bei 230 V; bis zu 5 Geräte bei 110 V

Mindestabstand zur beleuchteten Fläche	0,3 m	0,3 m
Mindestabstand zu normal entflammaren Materialien	0,017 m	0,017 m

Gehäusematerial:	String cast aluminium, schwarz pulverbeschichtet	String cast aluminium, schwarz pulverbeschichtet
Abmessungen B/H/T	1018 mm (1000 mm, wenn die Einheiten verbunden sind) x 206 mm x 178 mm	1018 mm (1000 mm, wenn die Einheiten verbunden sind) x 206 mm x 178 mm
Gewicht	11,8 kg	11,8 kg
RDM UID	0x08A4004C 0000-FFFF	0x08A4004D 0000-FFFF

## ERLÄUTERUNGEN ZUR IP-SCHUTZART

1. Eine IP-Schutzart gibt ausschließlich den Schutz gegen feste Gegenstände, sowie Wasser wieder. Sie beschreibt keine allgemeine Witterungsbeständigkeit, wie beispielsweise Schutz gegen UV-Strahlung und Temperatureinflüsse etc..

2. Die erste Kennziffer bezeichnet den Schutz gegen Staub, feste Gegenstände und Berührung:

IP2X	Geschützt gegen feste Fremdkörper mit Durchmesser $\geq 12,5$ mm
IP3X	Geschützt gegen feste Fremdkörper mit Durchmesser $\geq 2,5$ mm
IP4X	Geschützt gegen feste Fremdkörper mit Durchmesser $\geq 1,0$ mm
IP5X	Geschützt gegen Staub in schädigender Menge und vollständig gegen Berührung geschützt
IP6X	Sind Staubdicht und vollständig gegen Berührung geschützt

3. Die zweite Kennziffer bezeichnet den Schutz gegen Wasser:

IPX0	Kein Schutz
IPX1	Schutz gegen Tropfwasser
IPX2	Schutz gegen fallendes Tropfwasser, wenn das Gerät bis zu 15° geneigt ist
IPX3	Schutz gegen fallendes Sprühwasser bis 60° gegen die Senkrechte
IPX4	Schutz gegen allseitiges Spritzwasser
IPX5	Schutz gegen Strahlwasser (Düse) aus beliebigem Winkel

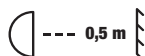
IPX6	Schutz gegen starkes Strahlwasser
IPX7	Schutz gegen zeitweiliges Untertauchen

4. Weiterhin sind teilweise gerätespezifische Maßnahmen wie Abdeckungen und Verschlusskappen notwendig um die angegebene Schutzart zu erreichen (z.B. Schutzkappen an nicht verwendeten Anschlüssen).



Die IP-Schutzart des Produkts finden Sie in den technischen Daten und als Aufdruck auf dem Gerät.

## MINDESTABSTAND ZUR BELEUCHTETEN FLÄCHE



Dieses Symbol mit Entfernungsangabe in Metern (m) gibt den Mindestabstand des Leuchtkörpers zur beleuchteten Fläche an. In diesem Beispiel beträgt der Abstand 0,5 m. Den für dieses Gerät gültigen Wert entnehmen Sie bitte den technischen Daten in dieser Anleitung und dem Aufdruck auf dem Gerätegehäuse!

## MINDESTABSTAND ZU NORMAL ENTLAMMBAREN MATERIALIEN



Dieses Symbol mit Entfernungsangabe in Metern (m) gibt den Mindestabstand des Geräts zu normal entflammaren Materialien an. In diesem Beispiel beträgt der Abstand 0,5 m. Den für dieses Gerät gültigen Wert entnehmen Sie bitte den technischen Daten in dieser Anleitung!

## ENTSORGUNG



### VERPACKUNG:

1. Verpackungen können über die üblichen Entsorgungswege dem Wertstoffkreislauf zugeführt werden.
2. Bitte trennen Sie die Verpackung entsprechend der Entsorgungsgesetze und Wertstoffverordnungen in Ihrem Land.



## GERÄT:

1. Dieses Gerät unterliegt der europäischen Richtlinie für Elektro- und Elektronik-Altgeräte in der jeweils geltenden aktuellen Fassung. WEEE-Richtlinie Waste Electrical and Electronical Equipment. Altgeräte gehören nicht in den Hausmüll. Das Altgerät muss über einen zugelassenen Entsorgungsbetrieb oder eine kommunale Entsorgungseinrichtung entsorgt werden. Bitte beachten Sie geltende Vorschriften in Ihrem Land!
2. Beachten Sie alle in Ihrem Land geltenden Entsorgungsgesetze.
3. Als Privatkunde erhalten Sie Informationen zu umweltfreundlichen Entsorgungsmöglichkeiten über den Händler, bei dem das Produkt erworben wurde, oder über die entsprechenden regionalen Behörden.

## HERSTELLERERKLÄRUNGEN

### Herstellergarantie & Haftungsbeschränkung

Adam Hall GmbH, Adam-Hall-Str. 1, D-61267 Neu Anspach /

E-Mail [Info@adamhall.com](mailto:Info@adamhall.com) / +49 (0)6081 / 9419-0

Unsere aktuellen Garantiebedingungen und Haftungsbeschränkung finden Sie unter:

[https://cdn-shop.adamhall.com/media/pdf/Manufacturers-Declarations-CAMEO\\_DE\\_EN\\_ES\\_FR.pdf](https://cdn-shop.adamhall.com/media/pdf/Manufacturers-Declarations-CAMEO_DE_EN_ES_FR.pdf)

Im Servicefall wenden Sie sich an Ihren Vertriebspartner.

### CE-Konformität

Hiermit erklärt die Adam Hall GmbH, dass dieses Produkt folgender Richtlinie entspricht (soweit zutreffend):

Niederspannungsrichtlinie (2014/35/EU)

EMV-Richtlinie (2014/30/EU)

RoHS (2011/65/EU)

RED (2014/53/EU)

### CE-Konformitätserklärung

Konformitätserklärungen für Produkte, die der LVD, EMC, RoHS-Richtlinie unterliegen, können unter [info@adamhall.com](mailto:info@adamhall.com) angefragt werden.

Konformitätserklärungen für Produkte, die der RED-Richtlinie unterliegen, können unter [www.adamhall.com/compliance/](http://www.adamhall.com/compliance/) heruntergeladen werden.

**Druckfehler und Irrtümer, sowie technische oder sonstige Änderungen sind vorbehalten!**



Vous avez fait le bon choix !

Cet appareil a été développé et fabriqué selon les normes de qualité les plus élevées afin de garantir de nombreuses années de fonctionnement sans problème. Veuillez lire attentivement ce manuel d'utilisation afin de pouvoir utiliser votre nouveau produit Cameo rapidement et de manière optimale. De plus amples informations sur Cameo Light sont disponibles sur notre site web **CAMEOLIGHT.COM**.

## **INFORMATIONS SUR CE MANUEL D'UTILISATION**

- Lisez attentivement les consignes de sécurité et l'ensemble du manuel avant d'utiliser l'appareil.
- Respectez les avertissements figurant sur l'appareil et dans le manuel d'utilisation.
- Gardez toujours le manuel d'utilisation à portée de main.
- Si vous vendez ou transmettez l'appareil, il est important d'inclure également ce manuel d'utilisation, car il fait partie intégrante du produit.

## **UTILISATION PRÉVUE**

Ce produit est un appareil pour technologie événementielle.

Ce produit a été développé pour un usage professionnel dans le domaine de la technologie événementielle et ne convient pas à un usage domestique.

En outre, ce produit est exclusivement destiné à des utilisateurs qualifiés possédant des connaissances spécialisées en matière de technologie événementielle,

L'utilisation du produit en dehors des données techniques et des conditions de fonctionnement spécifiées est considérée comme une exploitation inappropriée.

La responsabilité pour les dommages et les dégâts causés par des tiers aux personnes et aux biens suite à une utilisation inappropriée est exclue !

Le produit ne convient pas :

- À une utilisation par des personnes (y compris les enfants) ayant des capacités physiques, sensorielles ou mentales limitées ou un manque d'expérience et de connaissances.
- Aux enfants (les enfants doivent être informés qu'ils ne doivent pas jouer avec l'appareil).

## **DÉFINITIONS ET EXPLICATION DES PICTOGRAMMES**

1. **DANGER** : Le mot DANGER, éventuellement associé à un pictogramme, indique des situations ou des conditions directement dangereuses pour la vie et l'intégrité physique.
2. **AVERTISSEMENT** : Le mot AVERTISSEMENT, éventuellement associé à un pictogramme, indique des situations ou des conditions potentiellement dangereuses pour la vie et l'intégrité physique.
3. **ATTENTION** : Le mot ATTENTION, éventuellement associé à un pictogramme, est utilisé pour indiquer des situations ou des conditions pouvant entraîner des blessures.
4. **ATTENTION** : Le mot ATTENTION, éventuellement associé à un pictogramme, fait référence à des situations ou états qui peuvent entraîner des dommages matériels et/ou environnementaux.



Ce pictogramme identifie les dangers qui peuvent causer un choc électrique.



Ce pictogramme identifie les zones ou les situations dangereuses.



Ce pictogramme indique les dangers causés par les surfaces portées à haute température.



Ce symbole indique les dangers causés par des sources lumineuses intenses.



Ce symbole indique que l'appareil ne contient aucune pièce remplaçable par l'utilisateur.



Ce pictogramme indique des informations supplémentaires concernant le fonctionnement du produit.

## CONSIGNES DE SÉCURITÉ



### **DANGER :**

1. N'ouvrez pas l'appareil et ne lui apportez aucune modification.
2. Si votre appareil ne fonctionne plus correctement, si des liquides ou des objets ont pénétré à l'intérieur ou s'il a été endommagé de toute autre manière, éteignez-le immédiatement et débranchez-le du secteur. L'appareil ne peut être réparé que par des techniciens de service après-vente agréés.
3. Pour les appareils de la classe de protection 1, le conducteur de protection (mise à la terre) doit être connecté correctement. Ne débranchez jamais le conducteur de protection. Les appareils de la classe de protection 2 ne disposent pas d'un conducteur de protection.
4. Assurez-vous que les câbles sous tension ne sont pas tordus, pincés ou endommagés mécaniquement.
5. Ne contournez jamais le fusible de l'appareil.



### **AVERTISSEMENT :**

1. L'appareil ne doit pas être utilisé s'il présente des signes évidents de dommages.
2. L'appareil ne peut être installé que hors tension.
3. Si le câble d'alimentation de l'appareil est endommagé, n'utilisez pas l'appareil.
4. Les câbles d'alimentation fixes ne peuvent être remplacés que par une personne qualifiée.

**AVIS :**

1. Ne faites pas fonctionner l'appareil s'il a été exposé à de fortes variations de température (par exemple, après le transport). L'humidité et la condensation internes peuvent endommager l'appareil. N'allumez l'appareil qu'une fois qu'il a atteint la température ambiante.
2. Assurez-vous que la tension et la fréquence du réseau électrique correspondent aux valeurs indiquées sur l'appareil. Si l'appareil dispose d'un sélecteur de tension, ne connectez pas l'appareil avant de l'avoir réglé correctement. N'utilisez que des câbles secteur adaptés.
3. Pour déconnecter l'appareil du secteur sur tous les contacts, il ne suffit pas d'appuyer sur l'interrupteur marche/arrêt de l'appareil .
4. Assurez-vous que le fusible utilisé correspond au type imprimé sur l'appareil.
5. Assurez-vous que des mesures appropriées ont été prises contre les surtensions (par exemple, la foudre).
6. Respectez l'intensité maximale de sortie spécifiée sur les appareils possédant un renvoi secteur (Power Out). Vérifiez que la consommation totale de courant de tous les appareils connectés ne dépasse pas la valeur indiquée.
7. Remplacez les câbles secteur enfichables uniquement par des câbles d'origine.

**DANGER :**

1. Danger d'asphyxie ! Les sacs en plastique et les petites pièces doivent être tenus hors de portée des personnes (y compris les enfants) aux capacités physiques, sensorielles ou mentales réduites.
2. Risque de chute ! Assurez-vous que l'appareil est bien installé et qu'il ne risque pas de tomber. N'utilisez que des supports ou fixations adaptés (notamment en installation fixe). Assurez-vous que les accessoires sont correctement installés et fixés. Veillez à ce que les règles de sécurité applicables soient respectées.

**AVERTISSEMENT :**

1. N'utilisez l'appareil que de la manière prévue.
2. N'utilisez avec l'appareil que des accessoires recommandés et prévus par le fabricant.
3. Pendant l'installation, respectez les règles de sécurité en vigueur dans votre pays.
4. Après avoir branché l'appareil, vérifiez le cheminement de tous les câbles pour éviter tout dommage ou accident, par exemple en raison de risques de trébuchement.
5. Respectez toujours la distance minimale spécifiée par rapport aux matériaux normalement inflammables ! Sauf mention explicite, la distance minimale est de 0,3 m.
6. Respectez toujours la distance minimale de la surface éclairée lisible sur l'appareil.

**ATTENTION :**

1. Dans le cas de composants mobiles tels que des supports de montage ou d'autres pièces similaires, il existe un risque de blocage.
2. Dans le cas des appareils dotés de composants motorisés, il existe un risque de blessure dû au mouvement de l'appareil. Un mouvement brusque de l'appareil peut provoquer des réactions de choc.
3. La surface du boîtier de l'appareil peut devenir très chaude en cours de fonctionnement normal. Veillez à ce qu'il ne soit pas possible de toucher accidentellement le boîtier. Laissez toujours la lampe refroidir suffisamment avant toute manipulation (dépose, entretien, recharge, etc.).

**AVIS :**

1. N'installez pas et ne faites pas fonctionner l'appareil à proximité de radiateurs, de bouches de chaleur, de poêles ou d'autres sources de chaleur. Veillez toujours à ce que l'appareil soit installé de manière à ce qu'il soit suffisamment refroidi et ne puisse pas surchauffer.
2. Ne placez pas de sources d'inflammation telles que des bougies allumées à proximité de l'appareil.
3. Les ouvertures de ventilation ne doivent pas être couvertes et les ventilateurs ne doivent pas être bloqués.
4. Pour le transport, utilisez l'emballage d'origine ou l'emballage fourni par le fabricant.
5. Évitez tout choc ou impact sur l'appareil.
6. Respectez la classe de protection IP ainsi que les conditions ambiantes telles que la température et l'humidité spécifiées dans les caractéristiques.
7. Les appareils sont susceptibles d'améliorations en permanence. En cas d'informations divergentes sur les conditions de fonctionnement, les performances ou d'autres propriétés de l'appareil entre le manuel d'utilisation et l'étiquetage de l'appareil, les informations figurant sur l'appareil sont toujours prioritaires.
8. L'appareil n'est pas adapté aux climats tropicaux ni à un fonctionnement à plus de 2000 m au-dessus du niveau de la mer.
9. Sauf indication expresse, l'appareil ne convient pas à un fonctionnement en milieu marin.

**REMARQUE :**

Pour les kits ou accessoires de conversion ou d'adaptation fournis par le fabricant, il est essentiel de respecter les instructions incluses.



## ATTENTION ! INFORMATIONS IMPORTANTES AU SUJET DES PRODUITS D'ÉCLAIRAGE !

1. Ne regardez jamais directement le faisceau lumineux, même pendant un court instant.
2. Ne regardez jamais le faisceau lumineux à l'aide de dispositifs optiques tels qu'une loupe.
3. Les effets stroboscopiques peuvent provoquer des crises d'épilepsie chez les personnes sensibles.
4. Ces projecteurs sont équipés de lampes installées de manière permanente. Elles ne peuvent pas être remplacées par l'utilisateur. En cas de panne, veuillez contacter votre partenaire commercial.



## TRANSMISSION DE SIGNAUX ET CONTRÔLE PAR RADIO

### (par exemple, W-DMX ou systèmes de radio audio, Bluetooth) :

La qualité et les performances des transmissions de signaux sans fil dépendent généralement des conditions environnantes.

Les facteurs suivants peuvent avoir un impact sur la portée et la stabilité du signal :

Absorption (par exemple, maçonnerie, structures métalliques, eau)

Utilisation intensive du spectre HF (par exemple, réseaux locaux sans fil de grande puissance)

Interférences

Rayonnement électromagnétique (par exemple, écrans vidéo LED, gradateurs)

Toutes les valeurs de portée se réfèrent à une application en champ libre avec un contact visuel et sans interférences.

L'exploitation des systèmes émetteurs HF est soumise à des réglementations officielles. Ces réglementations peuvent varier d'une région/d'un pays à l'autre et doivent être vérifiées par l'opérateur avant la mise en service (par exemple, fréquence radio et puissance de l'émetteur).



**AVERTISSEMENT :** Les appareils utilisant une transmission de signaux sans fil ne sont pas adaptés à une utilisation dans des zones sensibles dans lesquelles le fonctionnement de la radio peut entraîner des effets néfastes potentiels. Citons notamment :

- Hôpitaux, centres de santé ou autres établissements de soins de santé qui fournissent un traitement au patient avec du personnel et des équipements qualifiés.
- Zones dangereuses Classe I, II et III
- Zones d'accès restreint
- Installations militaires
- Avions ou véhicules
- Zones où l'utilisation des téléphones portables est interdite



### TRANSMISSION VIA W-DMX

**AVERTISSEMENT :** La transmission DMX sans fil ne doit pas être utilisée pour des applications présentant des facteurs de sécurité susceptibles d'entraîner des blessures ou des dommages matériels en cas de défaillance.

Cela s'applique en particulier aux scènes et structures mobiles, aux moteurs/ascenseurs ou dispositifs de levage commandés par DMX pour contrôle de plates-formes élévatrices, de systèmes hydrauliques ou de dispositifs mobiles similaires.

En outre, la transmission DMX sans fil ne doit pas être utilisée pour déclencher des dispositifs générateurs de flammes ou pyrotechniques, des effets à explosion ou pour contrôler des effets de gaz ou de liquides. Ces dispositifs peuvent être des canons à CO<sub>2</sub>, des canons à confettis, des machines à effets d'eau ou autres.



### NOTES SUR LES APPAREILS PORTABLES POUR EXTÉRIEUR

1. Utilisation temporaire ! Les équipements événementiels ne sont généralement conçus que pour un fonctionnement temporaire.
2. Un fonctionnement continu ou une installation structurelle permanente – en particulier à l'extérieur – peut altérer le fonctionnement, détériorer les surfaces et les joints et accélérer la fatigue des matériaux.
3. Un revêtement de surface endommagé peut dégrader la protection anticorrosion de l'appareil. Les revêtements de surface endommagés (par exemple suite à des rayures) doivent être rapidement réparés par des mesures appropriées.

### CONTENU DU CARTON

Sortez le produit du carton et retirez tous les matériaux d'emballage.

Veuillez vérifier l'intégralité et l'intégrité de la livraison et informer votre partenaire de distribution immédiatement après l'achat si la livraison n'est pas complète ou si elle est endommagée.

Le produit CLPB400IPG2 comprend les éléments suivants :

- ▶ PIXBAR® 400 IP65 G2 RGBW Spotlight
- ▶ 2 pieds de montage coulissants avec embout de montage SPIN16® rabattable (prémontés)
- ▶ 1 x filtre anti-gel standard
- ▶ 1 x écran anti-éblouissement
- ▶ 1 x cordon secteur
- ▶ Manuel de l'utilisateur

Le produit CLPB600IPG2 comprend les éléments suivants :

- ▶ 1 x projecteur PIXBAR® 600 IP65 G2 RGBWAUv
- ▶ 2 pieds de montage coulissants avec embout de montage SPIN16® rabattable (prémontés)
- ▶ 1 x filtre anti-gel standard
- ▶ 1 x écran anti-éblouissement
- ▶ 1 x cordon secteur
- ▶ Manuel de l'utilisateur

## INTRODUCTION

### Projecteur extérieur PIXBAR® 400 IP G2

CLPB400IPG2 avec 16 LED RGBW 4in1

### Projecteur extérieur PIXBAR® 600 IP G2

CLPB600IPG2 avec 16 LED RGBWAUV 6in1

## FONCTIONS DE CONTRÔLE DISPONIBLES

### CLPB400IPG2

1 canal, 3 canaux Preset, 4 canaux Direct, 7 canaux Direct Control, 8 canaux 16-bit, 10 canaux Direct CCT, 11 canaux Effect Pattern, 16 canaux Wash, 36 canaux Pattern, 48 canaux Pixel RGB, 64 canaux Pixel, 68 canaux Pixel Dim, D2 canaux, D4 canaux Preset et D7 canaux Direct DMX Control

### CLPB600IPG2

1 canal, 3 canaux Preset, 6 canaux Direct, 9 canaux Direct Control, 12 canaux 16-bit, 12 canaux Direct CCT, 13 canaux Effect Pattern, 20 canaux Wash, 44 canaux Pattern, 48 canaux Pixel RGB, 96 canaux Pixel, 100 canaux Pixel Dim, D2 canaux, D4 canaux Preset et D9 canaux Direct DMX Control

RDM

PARAMÈTRES

Modes maître/esclave

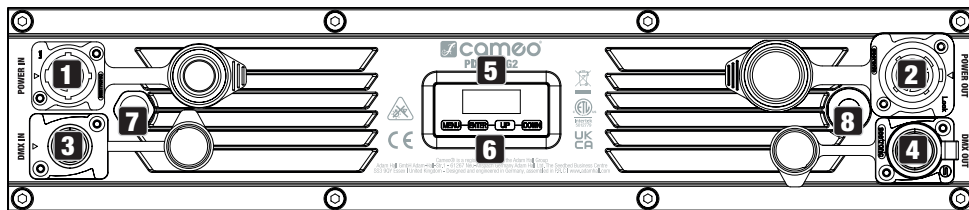
Modes autonomes

### POINTS FORTS :

- Classe de protection IP65
- Refroidissement par convection
- Tension secteur : 100-240 V

Les projecteurs sont compatibles avec la norme RDM (Remote Device Management, gestion des appareils à distance). Ce protocole de gestion à distance des appareils permet d'interroger leur état et de les configurer via un contrôleur compatible RDM, tel que le Cameo UNICON, disponible en option (référence CLIREMOTE). Le Cameo UNICON permet également d'accéder à l'ensemble du menu de l'appareil.

## CONNECTEURS, UTILISATION ET INDICATEURS



- Les modèles CLPB400IPG2 et CLPB600IPG2 présentent des connecteurs et des éléments de contrôle et d'affichage identiques -

### 1 POWER IN

Embase secteur IP65 avec capuchon d'étanchéité en caoutchouc (compatible TRUE1). Tension secteur : 100-240 V, 50-60 Hz. Utilisez le câble secteur fourni pour le branchement (lorsque l'appareil n'est pas utilisé, il faut toujours protéger l'embase avec le capuchon d'étanchéité en caoutchouc).

### 2 POWER OUT

Renvoi secteur IP65 avec capuchon d'étanchéité en caoutchouc (compatible TRUE1). Facilite l'alimentation d'autres projecteurs CAMEO. Assurez-vous que l'intensité totale consommée par tous les projecteurs connectés en cascade ne dépasse pas la valeur spécifiée sur l'appareil en ampères (A) (lorsque le renvoi secteur n'est pas utilisé, protégez-le toujours avec le capuchon d'étanchéité en caoutchouc).

### 3 DMX IN

Connecteur XLR mâle IP65 à 5 broches pour le raccord d'un contrôleur DMX (p. ex. console DMX ; lorsqu'il n'est pas utilisé, protégez-le toujours avec le capuchon d'étanchéité en caoutchouc).

### 4 DMX OUT

Connecteur XLR femelle IP65 à 5 broches pour le raccord d'un contrôleur DMX (p. ex. console DMX ; lorsqu'il n'est pas utilisé, protégez-le toujours avec le capuchon d'étanchéité en caoutchouc).

### 5 ÉCRAN OLED

L'écran OLED affiche le mode de fonctionnement actuellement activé ou l'adresse DMX actuelle (affichage principal), les rubriques du menu et la valeur numérique ou l'état de fonctionnement de certaines rubriques du menu.



## 6 COMMANDES TACTILES

**MENU** - Appuyez sur MENU pour accéder au menu principal. Appuyez à nouveau, une ou plusieurs fois, pour revenir à l'affichage principal.

**HAUT** et **BAS** - Sélectionnez les éléments du menu principal (adresse DMX, mode de fonctionnement, etc.) et des sous-menus à l'aide des touches HAUT et BAS. Modifiez la valeur ou l'état d'un élément de menu, par exemple l'adresse DMX. - Pour changer rapidement une valeur, comme l'adresse de départ DMX, maintenez enfoncé HAUT ou BAS.

**ENTER** - Appuyez sur ENTER pour accéder au niveau du menu afin d'effectuer des modifications de valeur ou d'état, et pour accéder à l'un des sous-menus. Pour confirmer les changements de valeur ou d'état, appuyez sur la touche ENTER.



### À NOTER :

- Avant de naviguer dans le menu de l'appareil, assurez-vous que le panneau de commande est sec et propre afin de ne pas altérer son fonctionnement.
- La présence d'eau sur l'unité de commande peut entraîner un mauvais fonctionnement du projecteur, par exemple à l'extérieur. Par conséquent, après avoir configuré la lampe frontale, activez la fonction de verrouillage afin d'éviter toute utilisation incorrecte par l'eau (Réglages -> Affichage -> Verrouillage automatique).

## 7 ÉLÉMENT D'ÉGALISATION DE LA PRESSION

Élément d'égalisation de la pression pour éviter la condensation à l'intérieur du boîtier. Pour assurer son bon fonctionnement, cet élément doit être protégé de toute contamination.

## 8 ANTENNE W-DMX™

Antenne pour le contrôle sans fil par W-DMX™.



**ATTENTION :** Pour garantir la protection IP65 des connecteurs DMX et réseau contre les éclaboussures, les embases d'entrée et de sortie spéciales doivent être correctement scellées avec les connecteurs spéciaux IP65 ou par les capuchons d'étanchéité en caoutchouc. Lorsqu'elles sont correctement connectées ou scellées avec les capuchons d'étanchéité en caoutchouc, les embases POWER IN et POWER OUT sont protégées contre les projections d'eau, conformément à l'indice de protection IP65.

## FONCTIONNEMENT

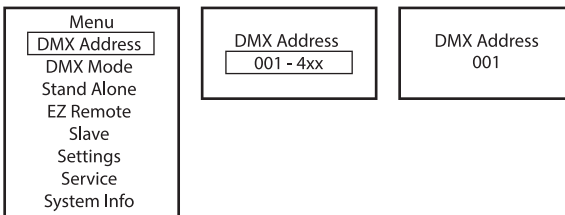
### À NOTER :

- Dès que le projecteur est correctement raccordé au secteur, les messages suivants s'affichent successivement : "Update wait (Attente de mise à jour) ..." (à des fins de service uniquement), "Welcome to Cameo", puis le nom du modèle et la version du logiciel. Le projecteur est ensuite prêt à fonctionner, dans le dernier mode activé avant extinction.
- Si aucune entrée n'est effectuée pendant environ 30 secondes, l'écran revient automatiquement à l'affichage principal.

- Remarque sur l'écran principal dans les modes de fonctionnement avec contrôle externe : Dès que le signal de contrôle est interrompu, les caractères de l'écran commencent à clignoter ; le clignotement s'arrête dès le retour du signal de contrôle.
- Une brève pression sur HAUT lorsque vous êtes dans l'affichage principal fait pivoter l'affichage de 180°.

## RÉGLAGE DE L'ADRESSE DE DÉPART DMX (DMX Address)

À partir de l'écran principal, appuyez sur MENU pour accéder au menu principal. Utilisez ensuite les touches HAUT et BAS pour sélectionner le point de menu **DMX Address** et confirmez avec la touche ENTER. En utilisant les touches HAUT et BAS, configurez l'adresse de départ DMX désirée et appuyez sur ENTER pour confirmer (la valeur la plus élevée dépend du mode DMX activé).



## CONFIGURATION DU MODE DMX (DMX Mode)

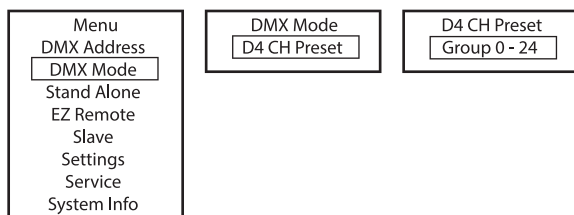
À partir de l'écran principal, appuyez sur MENU pour accéder au menu principal. Utilisez ensuite les touches HAUT et BAS pour sélectionner le point de menu **DMX Mode** et confirmez en appuyant sur la touche ENTER. Sélectionnez ensuite le mode DMX désiré en utilisant les touches HAUT et BAS et confirmez la sélection avec la touche ENTER. Les modes de fonctionnement DMX avec sélection du canal de retard DMX et du groupe (groupe 0 - 24) sont marqués d'un "D". Vous trouverez les tableaux d'affectation des canaux dans ces instructions, à la rubrique CONTRÔLE DMX.

	CLPB400IPG2	CLPB600IPG2
Menu	DMX Mode	DMX Mode
DMX Address	1 CH DIM UC1	1 CH DIM UC1
DMX Mode	3 CH Preset	3 CH Preset
Stand Alone	4 CH Direct	6 CH Direct
EZ Remote	7 CH Direct Ctrl	9 CH Direct Ctrl
Slave	8 CH 16Bit Dir	12 CH 16Bit Dir
Settings	10 CH Direct CCT	12 CH Direct CCT
Service	11 CH EffectPatt	13 CH EffectPatt
System Info	16 CH Wash	20 CH Wash
	36 CH Pattern	44 CH Pattern
	48 CH Pixel-RGB	48 CH Pixel-RGB
	64 CH Pixel	96 CH Pixel
	68 CH Pixel+D	100 CH Pixel+D
	D2 CH DIM UC1	D2 CH DIM UC1
	D4 CH Preset	D4 CH Preset
	D7 CH Direct	D9 CH Direct

## Modes DMX avec canal de retard DMX :

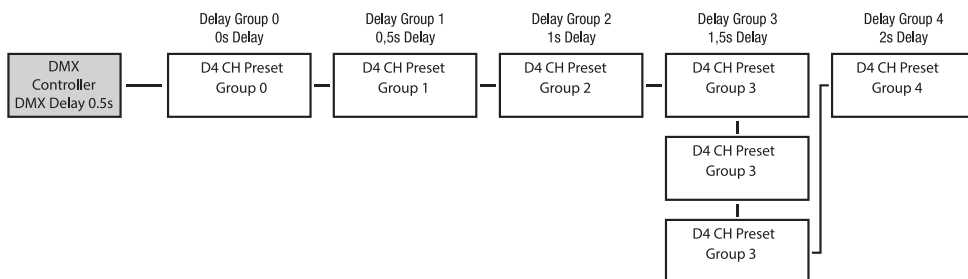
La fonction DMX Delay est un moyen simple de créer un effet de lumière mobile avec un grand nombre de projecteurs, tous du même modèle et avec la même version du logiciel. Pour obtenir le même résultat, il faut utiliser un contrôleur DMX approprié, avec une programmation fastidieuse. Tous les projecteurs utilisés (mêmes modèles, même version du logiciel) sont réglés sur le même mode de fonctionnement DMX avec canal de retard DMX et contrôlés par la même adresse de départ DMX.

Réglage du délai DMX : Sélectionnez l'un des modes de fonctionnement DMX avec canal de retard DMX et confirmez la sélection (dans l'exemple D4 CH Preset). Affectez les projecteurs à l'un des 24 groupes (plus le groupe 0) selon vos préférences – vous pouvez affecter plusieurs projecteurs à un même groupe. Le numéro de groupe est également le facteur multiplicateur de durée de retard réglée dans le contrôleur DMX. Confirmez chaque entrée en appuyant sur la touche ENTER.



Le temps de retard (durée du retard appliqué au signal DMX) est réglé au moyen d'un contrôleur DMX dans le canal de retard DMX séparé du mode DMX correspondant (de 0,0 s à 2,0 s par incréments de 0,1 s).

Exemple de configuration :



## MODE AUTONOME MENU MASTER / ALONE

Dans les modes autonomes Direct LED, Color Preset, CCT, HSI, Auto Program et Play Loop, le signal de contrôle du mode correspondant peut être transmis aux projecteurs esclaves via XLR (DMX OUT) et W-DMX™ :

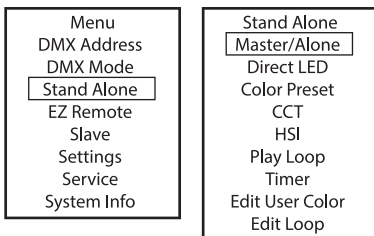
Stand Alone -> Master/Alone -> Master

Si la sortie du signal de commande n'est pas souhaitée, la sortie peut être désactivée :

Stand Alone -> Master/Alone -> Alone

Un délai pour les projecteurs esclaves peut être défini pour la sortie retardée du signal de commande des modes autonomes Auto Program et Play Loop.

À partir de l'écran principal, appuyez sur MENU pour accéder au menu principal. Sélectionnez ensuite l'élément de menu **Stand Alone**, confirmez, sélectionnez **Master/Alone** et confirmez à nouveau.



Vous accédez ainsi au sous-menu permettant de configurer les éléments du sous-menu (voir tableau) :

Master	Send to XLR		Le signal de commande est transmis via la sortie DMX OUT
	Send to W-DMX	On	Active la transmission du signal de contrôle DMX via W-DMX
		Off	Désactive l'envoi du signal de contrôle DMX via W-DMX
		Force to pair	Appairage avec des appareils W-DMX prêts à être appariés
		Unlink All	Déconnecte toutes les connexions W-DMX
	DMX Delay	Réglage du délai DMX pour les projecteurs esclaves : Off, 0,1 s - 2,0 s	
Alone			Ne pas renvoyer le signal de contrôle

### MODE AUTONOME LED DIRECT

Le mode autonome Direct LED permet de régler le gradateur, le stroboscope, R, G, B et W (CLP-B400IPG2) ou R, G, B, W, A et UV (CLPB600IPG2) directement sur le projecteur, comme avec un contrôleur DMX. Il est ainsi possible de créer une scène spécifique sans utiliser de contrôleur DMX.

À partir de l'écran principal, appuyez sur MENU pour accéder au menu principal. Utilisez les touches HAUT et BAS pour sélectionner **Stand Alone**, confirmez avec la touche ENTER, puis sélectionnez **Direct LED** et confirmez à nouveau avec la touche ENTER. Sélectionnez ensuite l'élément de menu que vous souhaitez modifier, confirmez la sélection, réglez la valeur souhaitée et confirmez la saisie.

Menu
DMX Address
DMX Mode
Stand Alone
EZ Remote
Slave
Settings
Service
System Info

Stand Alone
Master/Alone
Direct LED
Color Preset
CCT
HSI
Play Loop
Timer
Edit User Color
Edit Loop

## CLPB400IPG2

Direct LED
Dimmer 0% - 100%
Red 0% - 100%
Green 0% - 100%
Blue 0% - 100%
White 0% - 100%

## CLPB600IPG2

Direct LED
Dimmer 0% - 100%
Red 0% - 100%
Green 0% - 100%
Blue 0% - 100%
White 0% - 100%
Amber 0% - 100%
UV 0% - 100%

## MODE AUTONOME COULEUR PRESET

Vous disposez de 49 préréglages de couleur différents et de huit préréglages utilisateur réglables individuellement (voir **Edit User Color**). La luminosité peut être réglée de manière très précise. À partir de l'écran principal, appuyez sur MENU pour accéder au menu principal. Utilisez les touches HAUT et BAS pour sélectionner l'élément de menu **Stand Alone**, confirmez la sélection, puis sélectionnez **Color Preset** et confirmez à nouveau avec la touche ENTER. Sélectionnez ensuite **GEL** ou **User Color** et confirmez la sélection. La présélection souhaitée peut maintenant être sélectionnée, confirmez la sélection. Sélectionnez ensuite **Dimmer** (Luminosité), confirmez la sélection et effectuez les réglages souhaités. Confirmez la saisie.

Menu
DMX Address
DMX Mode
Stand Alone
EZ Remote
Slave
Settings
Service
System Info

Stand Alone
Master/Alone
Direct LED
Color Preset
CCT
HSI
Play Loop
Timer
Edit User Color
Edit Loop

Color Preset
Dimmer 0% - 100%
GEL
User Color

## MODE AUTONOME CCT (Correlated Color Temperature)

En mode autonome CCT, la température de couleur peut être réglée par paliers de 100 K, de 2200 K à 8000 K, ainsi que la teinte (Hue) et la luminosité (Brightness). À partir de l'écran principal, appuyez sur MENU pour accéder au menu principal. Utilisez les touches HAUT et BAS pour sélectionner l'élément de menu **Stand Alone**, confirmez la sélection, puis sélectionnez **CCT** et confirmez à nouveau avec la touche ENTER. Sélectionnez ensuite l'élément de menu que vous souhaitez modifier, confirmez la sélection et effectuez les réglages souhaités. Confirmez la saisie.

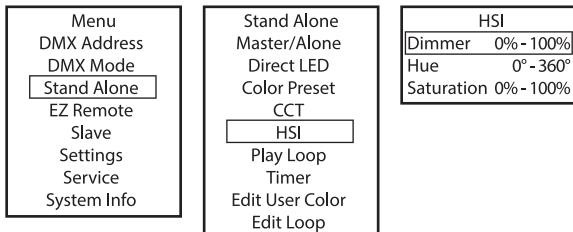
Menu
DMX Address
DMX Mode
Stand Alone
EZ Remote
Slave
Settings
Service
System Info

Stand Alone
Master/Alone
Direct LED
Color Preset
CCT
HSI
Play Loop
Timer
Edit User Color
Edit Loop

CCT
Dimmer 0% - 100%
CCT 2200K - 8000K
Tint -10 - 10

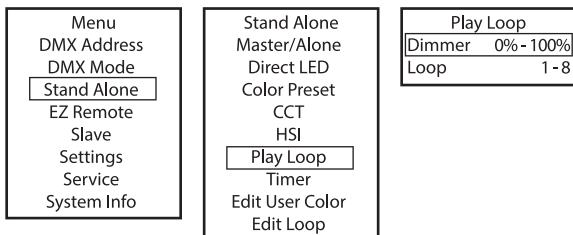
## MODE AUTONOME HSI (Hue - Saturation - Intensity)

En mode autonome HSI, la teinte, la saturation et la luminosité peuvent être réglées séparément comme vous le souhaitez. À partir de l'écran principal, appuyez sur MENU pour accéder au menu principal. Utilisez les touches HAUT et BAS pour sélectionner l'élément de menu **Stand Alone**, confirmez la sélection, puis sélectionnez **HSI** et confirmez à nouveau avec la touche ENTER. Sélectionnez ensuite l'élément de menu que vous souhaitez modifier, confirmez la sélection et effectuez les réglages souhaités. Confirmez chaque entrée.



## MODE AUTONOME PLAY LOOP (Séquences de couleurs en 8 étapes 1 - 8)

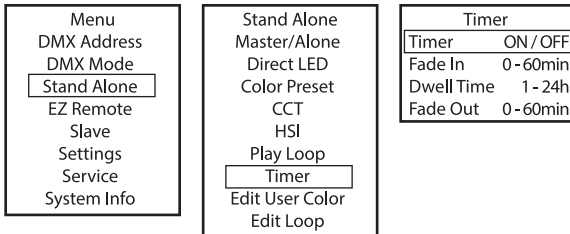
Les 8 boucles disponibles sont préprogrammées en usine, mais peuvent être personnalisées via l'élément de menu **Edit Loop**. La luminosité peut être réglée de manière très précise. À partir de l'écran principal, appuyez sur MENU pour accéder au menu principal. A l'aide des touches HAUT et BAS, sélectionnez l'élément de menu **Stand Alone**, confirmez avec la touche ENTER, puis sélectionnez l'élément de sous-menu **Play Loop** et confirmez à nouveau avec la touche ENTER. Sélectionnez ensuite l'élément de menu que vous souhaitez modifier, confirmez la sélection et effectuez les réglages souhaités. Confirmez chaque entrée.



## FUNCTION TIMER

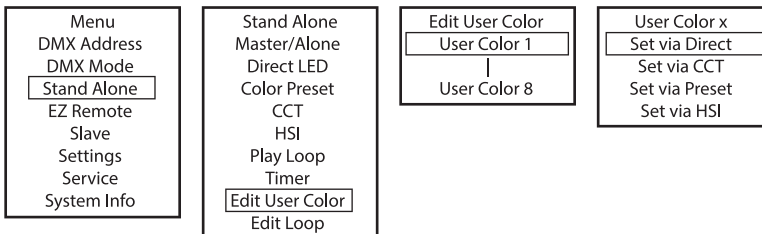
La fonction de minuterie permet de gérer les modes autonomes « Direct LED », « Colour Preset », « CCT » et « HSI » de manière contrôlée dans le temps, de sorte que la durée d'allumage (Fade In) puisse être réglée de 0 à 60 minutes, la durée d'illumination (Dwell Time) de 1 à 24 heures et la durée d'extinction (Fade Out) de 0 à 60 minutes. Une fois la fonction Timer activée, la minuterie sera mise en œuvre lors du prochain démarrage du système. À partir de l'écran principal, appuyez sur MENU pour accéder au menu principal. Sélectionnez **Stand Alone**, confirmez la sélection, puis sélectionnez **Timer** et confirmez à nouveau. Sélectionnez le paramètre **On** sous **Timer** et confirmez. Pour régler les paramètres contrôlés par la minuterie, sélectionnez **Fade In, Dwell Time** ou **Fade Out** et confirmez. Vous pouvez maintenant régler la valeur correspondante comme vous le souhaitez. Confirmez toutes les entrées. Pour désactiver la fonction de minuterie, sélectionnez le réglage **Off** sous **Timer** et confirmez la saisie.

Remarque : la fonction de minuterie est adaptée à une utilisation en mode maître/esclave par câble et W-DMX™.



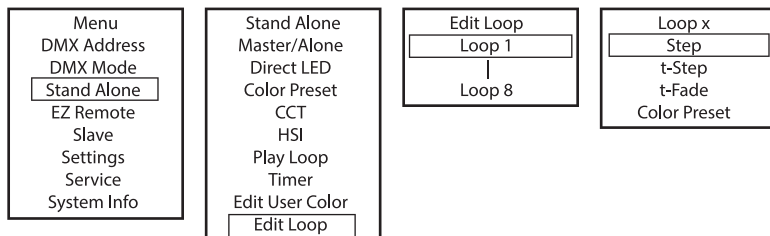
## ÉDITION DE PRESETS UTILISATEUR (Edit User Color)

Les huit pré-réglages utilisateur disponibles en mode autonome Colour Preset peuvent être modifiés individuellement. À partir de l'écran principal, appuyez sur MENU pour accéder au menu principal. A l'aide des touches et , sélectionnez l'élément de menu **Stand Alone**, confirmez avec ENTER, puis sélectionnez **Edit User Color** et confirmez à nouveau. Sélectionnez le preset désiré (User Color 1 - 8) et confirmez la sélection. Décidez maintenant de la manière dont vous souhaitez créer la couleur pour le pré-réglage et sélectionnez l'une des quatre méthodes Direct, CCT, Pré-réglage et HSI, puis confirmez la sélection. Réglez ensuite la couleur souhaitée en suivant les instructions du mode autonome correspondant.



## ÉDITION DE BOUCLE (Edit Loop)

La luminosité, la durée des pas et le temps de fondu peuvent être réglés séparément pour les huit boucles. À partir de l'écran principal, appuyez sur MENU pour accéder au menu principal. A l'aide des touches et , sélectionnez le point de menu **Stand Alone**, confirmez avec ENTER, puis sélectionnez **Edit Loop** et confirmez à nouveau. Sélectionnez maintenant la boucle souhaitée pour l'édition et confirmez la sélection.



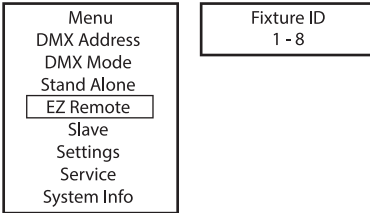
Vous accédez ainsi au sous-menu permettant de configurer les éléments du sous-menu (voir tableau) : Les réglages de chaque boucle sont effectués séparément et sont conservés même après le redémarrage de l'appareil.

Step	1 - 8	Sélection du pas
T-Step	T-Step 0s - 10s = 0,1s steps 10s - 1min = 1s steps 1min - 20min = 1min steps	Réglage de la durée du pas sélectionné
T-Fade	T-Fade 0s - 10s = 0,1s steps 10s - 1min = 1s steps 1min - 20min = 1min steps	Réglage de la durée de fondu pour le pas sélectionné
Color Preset	Step 1 + 2: Dark Magenta - Rose Pink, User Color 1 - 8, Blackout	Sélection du préréglage de couleur ou du blackout pour le pas sélectionné
	Step 3 - 8: Dark Magenta - Rose Pink, User Color 1 - 8, Blackout, Skip Step	Sélectionnez le préréglage de couleur ou le blackout ou sautez le pas sélectionné



## CONTRÔLE EZ REMOTE VIA CAMEO UNICON (Disponible en option)

À partir de l'écran principal, appuyez sur MENU pour accéder au menu principal. Utilisez les touches HAUT et BAS pour sélectionner l'élément de menu **EZ Remote** et confirmez en appuyant sur la touche ENTER. Réglez maintenant l'ID de l'appareil souhaité (Fixture ID 1 - 8) et confirmez la saisie. Connectez le projecteur et l'UNICON à l'aide d'un câble DMX, sélectionnez **DMX Control** dans le menu UNICON, puis **EZ Remote**, et entrez le même numéro d'identification d'appareil (ID). Contrôlez maintenant le projecteur en utilisant les fonctions RGB, GEL, CCT ou HSI. En attribuant des ID d'appareils différents, jusqu'à huit projecteurs (ou groupes de projecteurs) peuvent être contrôlés séparément via UNICON.



## MODE SLAVE

**Fonctionnement standard en mode esclave :** À partir de l'écran principal, appuyez sur MENU pour accéder au menu principal. A l'aide des touches HAUT et BAS, sélectionnez l'élément de menu **Slave**, validez avec ENTER, sélectionnez le groupe esclave 0 (Slave Group 0) et validez avec ENTER. Connectez les projecteurs esclave et maître (même modèle, même version de logiciel) à l'aide d'un câble DMX ou en W-DMX™, et activez l'un des modes autonomes (Direct LED, Color Preset, CCT, HSI, Auto Program, Play Loop) sur le projecteur maître. Le projecteur esclave suit dès lors le projecteur maître.

**Fonctionnement étendu de l'esclave :** Si vous souhaitez contrôler les projecteurs esclaves par l'un des modes autonomes **Auto Program** ou **Play Loop** en mode maître/esclave, le signal de contrôle peut être lu avec un retard allant jusqu'à 24 pas. Le retard est défini dans le menu **Master/Alone** du projecteur maître, le facteur de retard de règle dans le menu Slave du projecteur correspondant (Group). La fonction DMX Delay est un moyen simple de créer un effet de lumière mobile avec un grand nombre de projecteurs, tous du même modèle et avec la même version du logiciel. Pour obtenir le même résultat, il faut utiliser un contrôleur DMX approprié, avec une programmation fastidieuse. Connectez les projecteurs esclave et maître (même modèle, même version logicielle) à l'aide d'un câble DMX ou via W-DMX™

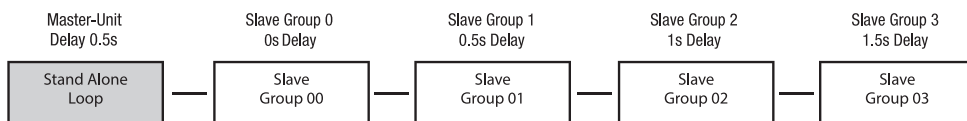
Menu
DMX Address
DMX Mode
Stand Alone
EZ Remote
Slave
Settings
Service
System Info

Slave Group Receive Mode
--------------------------------

Group	0 - 24	Définit le groupe d'esclaves pour la temporisation du signal	
Receive Mode	Wireless	XLR (permanent aktiv)	
		On	Active le module W-DMX
		Off	Désactive le module W-DMX
	Unlink	Débranche toutes les connexions et met le projecteur en mode d'attente d'appairage	

Affectez les projecteurs à l'un des 24 groupes (plus le groupe 0) selon vos préférences – vous pouvez affecter plusieurs projecteurs à un même groupe. Le numéro de groupe est également le facteur multiplicateur de durée de retard réglée sur le projecteur maître.

Exemple de configuration :



## PARAMÈTRES DU SYSTÈME (Settings)

À partir de l'écran principal, appuyez sur MENU pour accéder au menu principal. A l'aide des touches HAUT et BAS, sélectionnez le point de menu **Settings** et validez avec la touche ENTER.

Menu
DMX Address
DMX Mode
Stand Alone
EZ Remote
Slave
Settings
Service
System Info

Vous accédez ainsi au sous-menu permettant de régler les éléments du sous-menu (voir tableau, sélectionnez avec HAUT et BAS, confirmez avec ENTER, modifiez la valeur ou l'état avec HAUT et BAS, confirmez avec ENTER).

Wireless	=	Paramètres sans fil	W-DMX State	On	W-DMX activé
				Off	W-DMX désactivé
			Operating Mode	Receive	Mode W-DMX : Récepteur
				Transmit	Norme d'émission G3
					Norme d'émission G4S
			Linking	Unlink	Désapparie tous les projecteurs et les prépare à un nouvel appairage
				Link/Force to pair	Appairer des appareils W-DMX. Le W-DMX doit être activé sur tous les appareils et l'appairage avec un émetteur doit être conservé (réinitialisation de la réception, Receive Reset).
			Signal Routing	Send to XLR	Envoi du signal entrant au connecteur XLR
				Backup by XLR	Utilisation du signal entrant du connecteur XLR lorsque le signal W-DMX est perdu.
				Receive only	Pas de connexion entre le signal W-DMX et les connecteurs XLR
Display	=	Paramètres de l'affichage	Reverse	On	L'affichage bascule de 180° (p. ex. pour une installation au plafond)
				Off	Pas de rotation de l'affichage
			Off Timer	Always On	Le rétro-éclairage de l'écran est activé en permanence
				Off after 20s	Désactivation de l'éclairage de l'écran après environ 30 secondes d'inactivité
			Autolock	Off	Fonction désactivée
				On after 60s	Les commandes et l'écran sont verrouillés après environ 60 secondes d'inactivité. Déverrouiller : Appuyez simultanément sur les touches HAUT et BAS pendant environ 5 secondes
Dimmer	=	Comportement de gradation de fréquence PWM	Curve	Linear	Courbe de gradation : L'intensité lumineuse augmente linéairement avec la valeur DMX
				Exponential	Courbe de gradation : L'intensité lumineuse varie finement dans la partie inférieure de la plage de valeurs DMX et grossièrement dans la partie supérieure de la plage de valeurs DMX

Dimmer	=	Comportement de gradation et fréquence PWM	Curve	Logarithmic	Courbe de gradation : L'intensité lumineuse varie grossièrement dans la plage de valeurs DMX inférieure et finement dans la plage de valeurs DMX supérieure
				S-Curve	L'intensité lumineuse varie finement pour les valeurs DMX basses et élevées, et plus grossièrement pour les valeurs DMX intermédiaires
			PWM Frequency	650 Hz, 1530 Hz, 3600 Hz, 12 kHz, 18.9 kHz, 25 kHz	Sélection de la fréquence PWM (modulation de largeur d'impulsion) de la LED
			Response	LED	La luminosité varie brusquement aux changements de valeur DMX
				Halogen	La luminosité émule celle d'une source halogène, avec de légères variations de brillance
			Redshift	Dim to Warm	Reproduisant fidèlement la dérive des couleurs lors de la gradation d'un projecteur halogène Lors du dimming du projecteur, la température de couleur passe automatiquement à des tons blancs de plus en plus chauds et à l'ambre (et vice versa).
Off	Fonction désactivée				
Color Calibration	=	Calibration des couleurs	RAW	R, V, B et W (CLPB400IPG2) ou R, V, B, W, A et Uv (CLPB600IPG2) avec une valeur maximale de 255	
			User	CLPB400IPG2: RGBW CLPB600IPG2: RGB-WAUv	Étalonnage individuel des couleurs. Réglage de la luminosité en mode croisé avec des valeurs comprises entre 000 et 255
			Factory		Calibration d'usine (mode croisé)
			Smart		Fusion de la calibration d'usine et de l'étalonnage RAW

Signal Fail	=	Comportement en cas d'interruption du signal de commande	Hold	Maintien de la dernière commande reçue
			Last Stand Alone	Le dernier mode autonome activé est lancé
			Fade to Black (10s)	Fondu au noir de 10 s
			Blackout	Extinction instantanée
			User Color 1	La couleur utilisateur 1 est activée
			Full	Plein feu
Pixel Mirror	=	Pixel miroir	Off	Fonction désactivée
			On	Les pixels sont réfléchis
Store Default	=	Enregistrez tous les réglages du système dans 3 pré-réglages individuels	User A	Mémoriser avec ENTER
			User B	Mémoriser avec ENTER
			User C	Mémoriser avec ENTER

## MENU SERVICE (Service)

À partir de l'écran principal, appuyez sur MENU pour accéder au menu principal. Sélectionnez **Service** à l'aide des touches HAUT et BAS et confirmez avec la touche ENTER.

Menu
DMX Address
DMX Mode
Stand Alone
EZ Remote
Slave
Settings
<b>Service</b>
System Info

Vous trouverez dans le tableau ci-dessous des informations sur les sous-menus du menu de service et les options correspondantes (sélectionner avec HAUT et BAS, confirmer avec ENTER, modifier la valeur ou l'état avec HAUT et BAS, confirmer avec ENTER).

Load Default	Factory	Réinitialisation aux réglages d'usine
	User A	Réinitialisation aux valeurs de l'utilisateur A (Sauvegarder les valeurs utilisateur : Settings -> Store Default)
	User B	Réinitialisation aux valeurs de l'utilisateur B (Sauvegarder les valeurs utilisateur : Settings -> Store Default)
	User C	Réinitialisation aux valeurs de l'utilisateur C (Sauvegarder les valeurs utilisateur : Settings -> Store Default)

Reset Service	No	Annule l'opération
Timer	Reset now	Réinitialisation de la valeur de durée d'utilisation
Password	Pour technicien de service uniquement	

## INFORMATIONS SYSTÈME (System Info)

À partir de l'écran principal, appuyez sur MENU pour accéder au menu principal. Sélectionnez **System Info** à l'aide des touches HAUT et BAS et confirmez avec la touche ENTER.

Menu
DMX Address
DMX Mode
Stand Alone
EZ Remote
Slave
Settings
Service
<b>System Info</b>

Vous trouverez dans le tableau ci-dessous des informations sur les éléments du sous-menu du menu info système et les options correspondantes (sélectionnez avec HAUT et BAS, confirmez avec ENTER, modifiez la valeur ou l'état avec HAUT et BAS, confirmez avec ENTER).

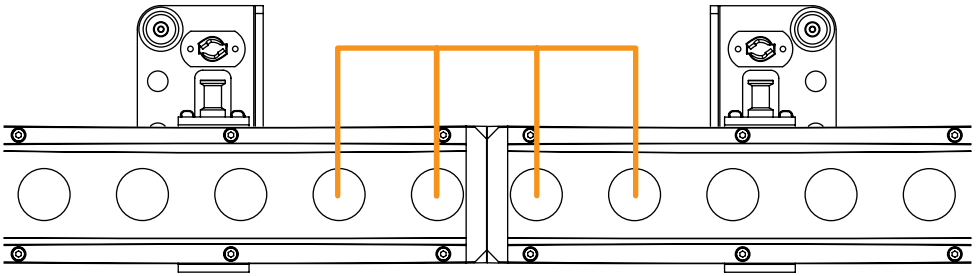
Firmware	DISP	Vx.xx	Affichage de la version du micrologiciel de l'appareil
	DRV	Vx.xx	
Temperature	LED	xxx °C / °F	Affichage de la température de l'appareil
	Temperature Unit	°C °F	Réglage de l'unité de température
Runtime	Total	xxxx h : xx m	Durée totale de fonctionnement
	Operation	xxxx h : xx m	Durée d'utilisation
	LED	xxxx h : xx m	Durée de fonctionnement de la lampe/LED
	Service	xxxx h : xx m	Durée de fonctionnement après réinitialisation de la valeur de durée de fonctionnement
RDM-UID	Identifiant unique en mode RDM		

## MONTAGE



**DANGER :** Le montage au plafond nécessite une grande expérience, notamment pour calculer les valeurs limites de charge du matériel d'installation et pour vérifier régulièrement la sécurité de tous les matériaux d'installation et des projecteurs. Si vous ne possédez pas ces qualifications, n'essayez pas d'effectuer l'installation vous-même. Adressez-vous plutôt à un professionnel qualifié. Des projecteurs mal montés et mal fixés risquent de se détacher et de tomber. Cela peut entraîner des blessures graves, voire mortelles.

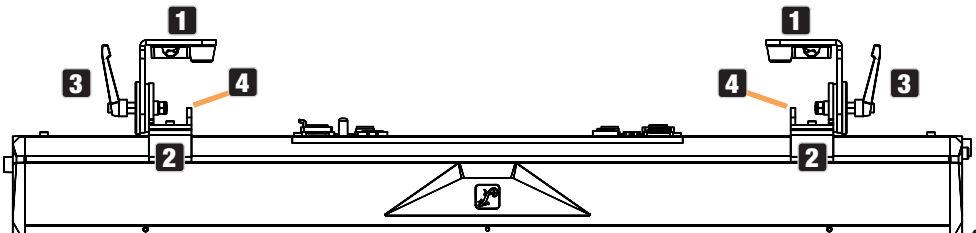
Le mécanisme de couplage unique signifie que lorsque plusieurs barres PIXBAR® G2 sont assemblées, il est maintenu un espacement uniforme des pixels lors des transitions d'une barre PIXBAR® G2 à l'autre.



Grâce au pied réglable, la PIXBAR® G2 peut être installée dans une position appropriée sur un sol plat (par exemple comme éclairage vers le haut).

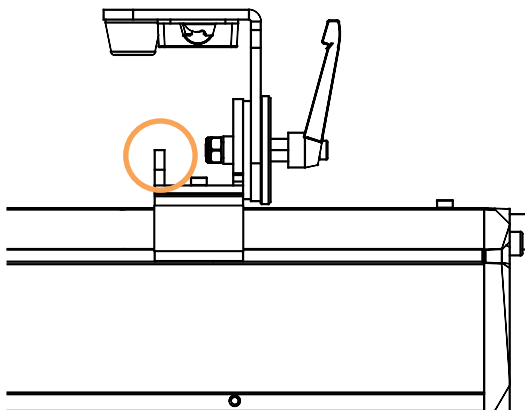
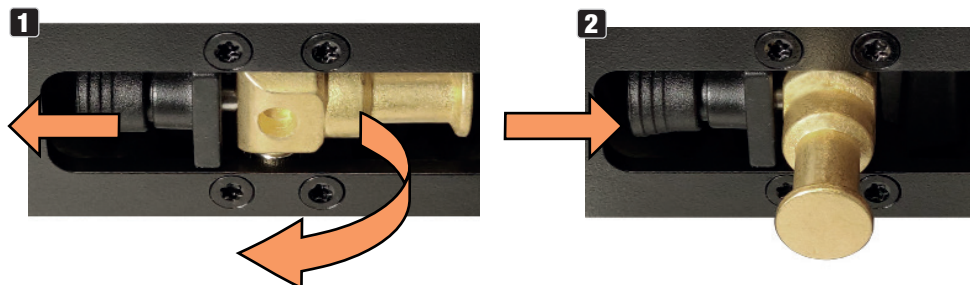
### MONTAGE D'UNE PIXBAR® SUR UNE STRUCTURE MÉTALLIQUE

Le montage sur une structure métallique s'effectue à l'aide d'étriers pour structure, disponibles en option, qui sont fixés soit directement aux pieds de montage (1), soit aux supports de montage Omega disponibles en option (référence CLOMEGABRACKET1). Les pieds de montage peuvent être déplacés sur le boîtier de la PIXBAR® G2. Pour ce faire, desserrez la vis centrale des cinq vis à six pans creux (2), placez le pied dans la position souhaitée et resserrez la vis. La direction du rayonnement peut être ajustée à l'aide des vis (3) sur les pieds de montage. Assurez-vous que les connexions sont bien serrées et que la PIXBAR® G2 ne peut pas se détacher. Lorsque vous montez la PIXBAR® G2 au-dessus de la tête, fixez-le avec un câble de sécurité approprié à l'une des pattes de sécurité prévues à cet effet (4). Lors du montage horizontal de plusieurs PIXBAR® G2, chaque PIXBAR® G2 doit être fixée séparément à la poutrette à l'aide des pieds de montage et sécurisée par un câble de sécurité approprié.



## UTILISEZ L'EMBOUT TV SPIN16 POUR LE MONTAGE

Les pieds de montage de la PIXBAR® G2 sont dotés d'embouts TV de 16 mm qui peuvent être déployés et rétractés sans outils. Pour déplier un embout TV, tirez le boulon de verrouillage à ressort hors du trou de verrouillage, dans le sens de la flèche (1), pliez l'embout TV vers l'avant et laissez le boulon de verrouillage s'engager dans le trou de verrouillage décalé de 90° (2). Utilisez des pinces à barres transversales appropriées pour le montage. Assurez-vous que les connexions sont bien serrées et que le projecteur ne peut pas se détacher. Lorsque vous montez le projecteur au-dessus de la tête, fixez-le à l'aide d'une corde de sécurité appropriée à l'une des pattes de sécurité prévues à cet effet (voir le marquage).





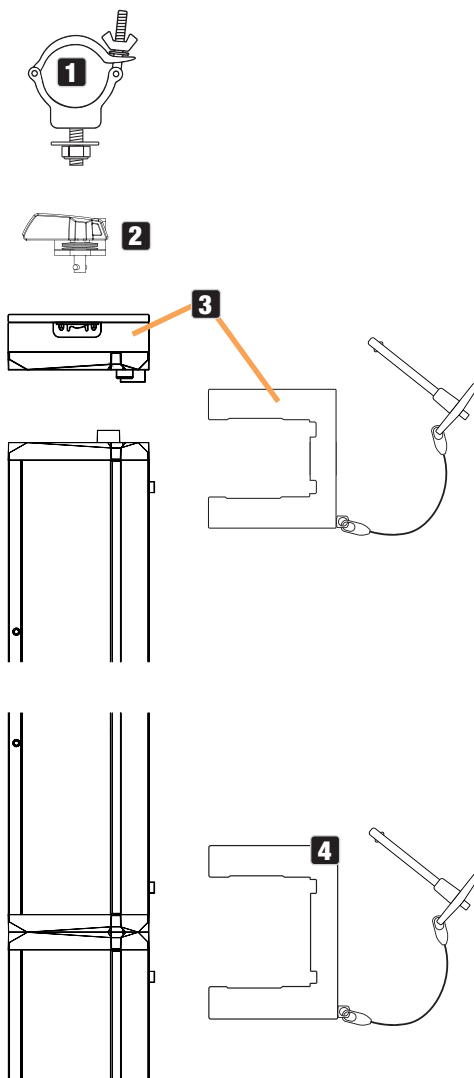
## MONTAGE VERTICAL SUSPENDU SUR BARRE TRANSVERSALE

Pour un montage vertical suspendu, jusqu'à trois PIXBAR® G2 peuvent être fixées les unes aux autres. Les produits suivants, disponibles en option, doivent être utilisés à cet effet :

- 1** Un collier de serrage approprié ayant une capacité de charge suffisante pour la charge totale (par exemple, un demi-coupleur).
- 2** Un support oméga (référence CLOMEGABRACKET1).
- 3** Jeu de butées (référence CLPBG2VERTIMOUNT).
- 4** Un ou deux éléments de liaison sont nécessaires pour relier deux ou trois PIXBAR® G2 et sécuriser la connexion (référence CLPBG2STACKKIT).

L'œillet de sécurité du pied supérieur de la barre supérieure sert de point de sécurité. Assurez-vous que l'élingue de sécurité utilisée pour sécuriser les barres est adaptée au poids total des barres.

Pour des raisons optiques, les pieds de montage peuvent être repliés sur le côté du boîtier. Un tampon en caoutchouc évite d'endommager la surface.



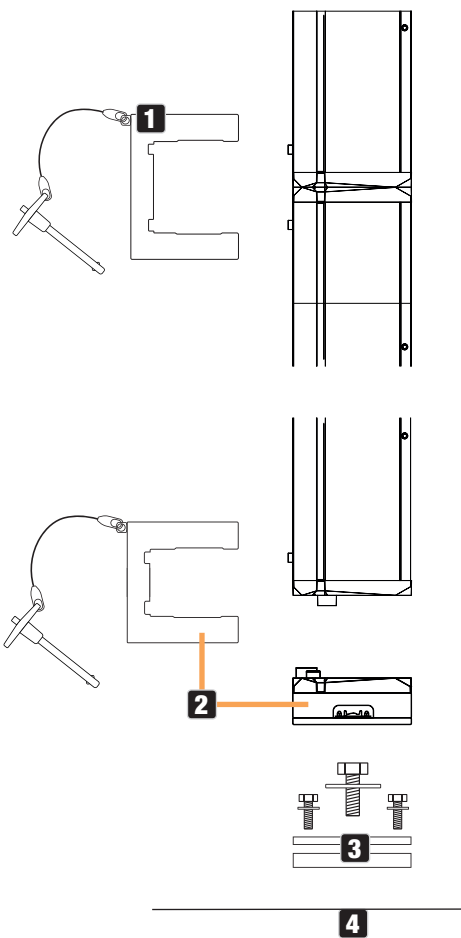
## MONTAGE VERTICAL AU SOL

Pour un montage vertical au sol, un maximum de deux PIXBAR® G2 peuvent être reliées l'une à l'autre. Les produits suivants, disponibles en option, doivent être utilisés à cet effet :

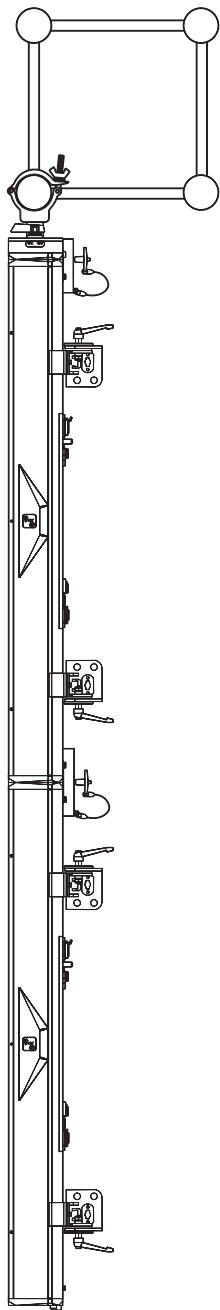
- 1** Une pièce de liaison (référence CLPBG2STACKKIT).
- 2** Jeu de butées (référence CLPBG2VERTIMOUNT).
- 3** Un kit de liaison M20 (référence CLPBG2M20ADA).
- 4** Un support en acier lourd avec filetage M20, d'une stabilité suffisante pour la charge totale.

La stabilité obtenue avec le support utilisé doit être évaluée par l'utilisateur. Aucune charge supplémentaire ne peut être introduite.

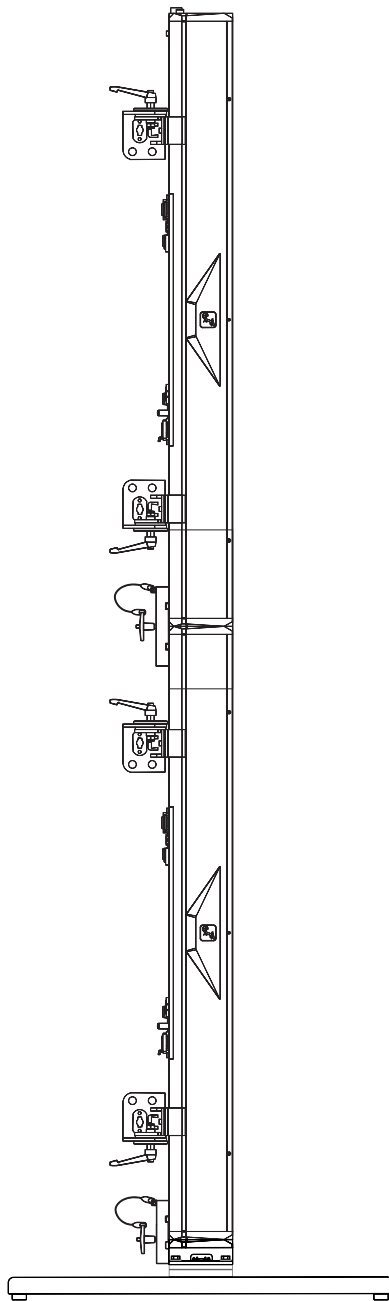
Pour des raisons optiques, les pieds de montage peuvent être repliés sur le côté du boîtier. Un tampon en caoutchouc évite d'endommager la surface.



**BARRE TRANSVERSALE SUSPENDUE  
VERTICALEMENT**



**MONTAGE VERTICAL AU SOL**



ENGLISH

DEUTSCH

FRANCAIS

ESPAÑOL

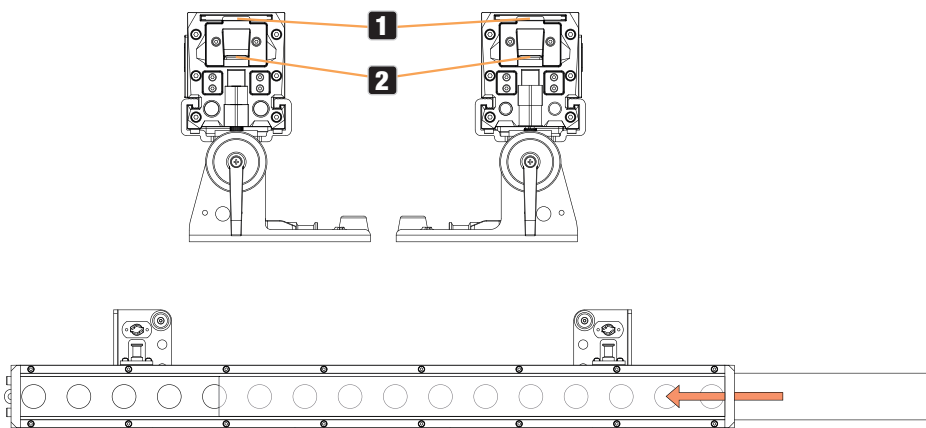
POLSKI

ITALIANO

DMX

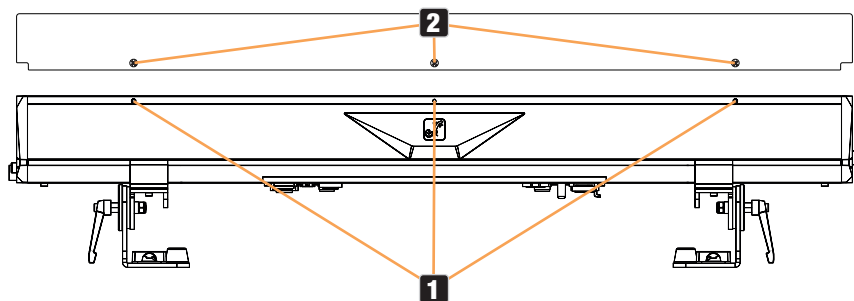
## FILTRE FROST

Un filtre frost standard est fourni avec la PIXBAR® G2. Pour insérer le filtre frost dans le support prévu à cet effet (1) de la barre, ouvrez le loquet coulissant à l'une des extrémités de la barre ((2), faites glisser la poignée vers le bas). Après avoir inséré le filtre frost dans le support, refermez le loquet pour éviter que le filtre ne tombe.



## ÉCRAN ANTI-ÉBLOUISSEMENT

Un écran anti-éblouissement est fourni avec le PIXBAR® G2. Sur les deux côtés du PIXBAR® G2, trois filets courent sur le bord supérieur du boîtier (1). Montez l'écran anti-éblouissement sur le côté souhaité de la PIXBAR® G2 à l'aide des trois vis moletées (2).



## ENTRETIEN, MAINTENANCE ET RÉPARATIONS

Afin de garantir le bon fonctionnement à long terme de l'appareil, celui-ci doit être régulièrement nettoyé et, si nécessaire, passer en maintenance. Le besoin de maintenance dépend de l'intensité de l'utilisation et de l'environnement dans lequel il est utilisé.

Nous recommandons généralement une inspection visuelle avant chaque utilisation. En outre, nous recommandons d'effectuer toutes les opérations de maintenance applicables spécifiées ci-dessous une fois toutes les 500 heures de fonctionnement ou, en cas d'intensité d'utilisation moindre, au plus tard au bout d'un an. Les demandes de garantie peuvent être limitées en cas de défauts résultant d'une maintenance inadéquate.

### ENTRETIEN (effectué par l'utilisateur)



**AVERTISSEMENT !** Avant d'effectuer toute opération de maintenance, il faut débrancher l'alimentation électrique et, si possible, toutes les connexions de l'appareil.



**À NOTER :** Un entretien inadéquat peut entraîner une dégradation de l'appareil pouvant aller jusqu'à sa destruction.

1. Les surfaces du boîtier doivent être nettoyées avec un chiffon propre et humide. Veillez à éviter toute infiltration d'humidité dans l'appareil.
2. Les entrées et sorties d'air doivent être régulièrement débarrassées de la poussière et des saletés. Si vous utilisez de l'air comprimé, veillez à ne pas endommager l'appareil (dans ce cas, il faut bloquer les ventilateurs avant d'envoyer l'air comprimé).
3. Les câbles et les contacts des connecteurs doivent être nettoyés régulièrement et la poussière et la saleté doivent être éliminées.
4. De façon générale, n'utilisez aucun produit de nettoyage agressif ou substance abrasive, sous peine d'endommager la finition de surface de l'appareil.
5. Les appareils doivent généralement être stockés au sec et protégés de la poussière et de la saleté.
6. Toutes les lentilles accessibles ou amovibles et les ouvertures émettant de la lumière doivent être nettoyées régulièrement pour garantir un fonctionnement correct et sûr.

## MAINTENANCE ET RÉPARATION (uniquement par du personnel qualifié)



**DANGER !** L'appareil renferme des composants sous tension. Même après avoir débranché la fiche de la prise secteur, il peut subsister une tension résiduelle dans l'appareil, par exemple en raison de condensateurs chargés.



**À NOTER :** L'appareil ne contient pas de sous-ensembles pouvant être réparés par l'utilisateur.



**À NOTER :** Les travaux d'entretien et de réparation ne peuvent être effectués que par du personnel spécialisé suffisamment qualifié. En cas de doute, consultez un atelier spécialisé.



**À NOTER :** Des travaux d'entretien/maintenance mal effectués peuvent affecter le recours à la garantie.



**À NOTER :** Pour les kits de conversion ou d'adaptation fournis par le fabricant, veuillez à respecter les instructions d'installation jointes.

## ACCESSOIRES EN OPTION

### CLPBG2FILTER55

Filtre frost 55°

### CLPBG2FILTER70

Filtre frost 70°

### CLPBG2FILTER2555

Filtre frost 25° x 55°

### CLPBG2STACKKIT

Élément de liaison pour la fixation mécanique sécurisée de deux PIXBAR® G2

### CLPBG2VERTIMOUNT

Kit de butée pour le montage d'une PIXBAR® G2 sur le support de montage Omega CLOME-GABRACKET1 et pour le montage sur le kit de connexion CLPBG2M20ADA

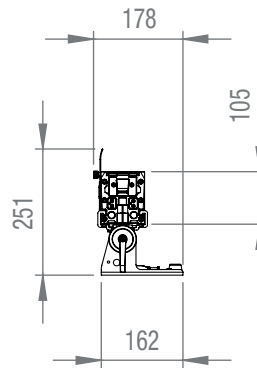
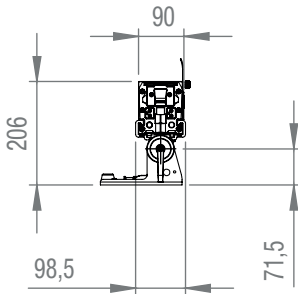
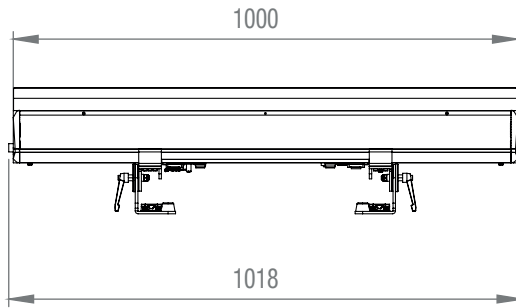
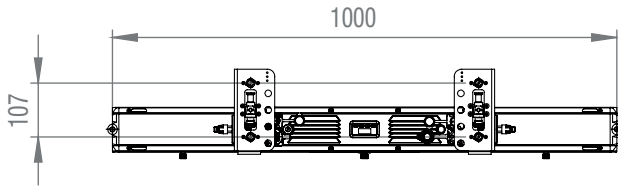
### CLOMEGABRACKET1

Support de montage Omega

### CLPBG2M20ADA

Kit de liaison pour le montage d'un PIXBAR® G2 sur un support avec filetage M20

# DIMENSIONS (mm)



## CARACTÉRISTIQUES TECHNIQUES

Reference produit	CLPB400IPG2	CLPB600IPG2
Catégorie de produit	Éclairage LED statique	Éclairage LED statique
Type	Barre LED	Barre LED
Source lumineuse	16 x LED 4in1 RGBW	16 x LED 6in1 RGBWAUV
Flux lumineux	6500 lm @ 6300K ; R : 2500 lm ; G : 3600 lm ; W : 570 lm ; W : 5000 lm	5300 lm @ Plein feu ; R : 1580 lm ; G : 2755 lm ; B : 427 lm ; W : 3175 lm ; A : 175 lm3 ; UV : n/a
Lentille / optique	16 x lentilles en acrylique	16 x lentilles en acrylique
Fréquence modulation largeur d'impulsion (PWM)	650 Hz ; 1530 Hz ; 3600 Hz ; 12 000 Hz ; 18 900 Hz ; 25 000 Hz	650 Hz ; 1530 Hz ; 3600 Hz ; 12 000 Hz ; 18 900 Hz ; 25 000 Hz
Résolution du gradateur	8 / 16 bits	8 / 16 bits
Courbes de gradateur	Linéaire, exponentielle, courbe en S, logarithmique	Linéaire, exponentielle, courbe en S, logarithmique
Simulation halogène	Oui	Oui
Stroboscope (Strobe)	0 Hz - 20 Hz	0 Hz - 20 Hz
IRC	>84 @ 5600K	77
Angle de faisceau/angle de champ	25° / 42°	24° / 46°
Couleur de la LED	R : 625 nm ; G : 518 nm ; B 545 nm ; W : 6036K	R : 635 nm ; G : 519 nm ; B : 448 nm ; W : 6100K ; A : 602 nm ; UV : 400 nm
Mélange de couleurs	RGBW	RGBWAUV
Modes de contrôle de la couleur	RGBW Direct ; CCT + Tint ; HSI ; Presets de couleur	RGBW Direct ; CCT + Tint ; HSI ; Presets de couleur
CCT	2200K - 8000K	2200K - 8000K
Calibration	Raw ; Factory ; Smart	Raw ; Factory ; Smart
Protocoles de contrôle	DMX ; RDM ; sans fil ; autonome ; maître-esclave ; EZ-Remote	DMX ; RDM ; sans fil ; autonome ; maître-esclave ; EZ-Remote
Connexions pour données	Entrée/sortie XLR 5 broches IP65 ; DMX sans fil	Entrée/sortie XLR 5 broches IP65 ; DMX sans fil
Modes DMX	1CH ; 3CH ; 4CH ; 7CH ; 8CH ; 10CH ; 11CH ; 16CH ; 36CH ; 48CH ; 64CH ; 68CH ; D2CH ; D4CH ; D7CH	1CH ; 3CH ; 6CH ; 9CH ; 12CH ; 12CH ; 13CH ; 20CH ; 44CH ; 48CH ; 96CH ; 100CH ; D2CH ; D4CH ; D9CH



Fonctions DMX :	Dimmer; Dimmer fine; Strobe Functions; Red; Red fine; Green; Green fine; Blue; Blue fine; White; White fine; Color Temperature; Tint; Color Presets; Color Preset Crossfade; Selection Folder; Pattern; Pattern Speed; Pattern Transition; Running Effect Pattern; Background Dimmer; Background Dimmer fine; Background Strobe Functions; Background Red; Background Red fine; Background Green; Background Green fine; Background Blue; Background Blue fine; Background White; Background White fine; Background Color Temperature; Background Tint; Background Color Macro; Background Macro Crossfade; Device Settings; Grouping; DMX-Delay (EZ-Chase); Pixel: R1, G1, B1, W1,... R16, G16, B16, W16	Dimmer; Dimmer fine; Strobe Functions; Red; Red fine; Green; Green fine; Blue; Blue fine; White; White fine; Amber; Amber fine; UV; UV fine; Color Temperature; Tint; Color Presets; Color Preset Crossfade; Selection Folder; Pattern; Pattern Speed; Pattern Transition; Running Effect Pattern; Background Dimmer; Background Dimmer fine; Background Strobe Functions; Background Red; Background Red fine; Background Green; Background Green fine; Background Blue; Background Blue fine; Background White; Background White fine; Background Amber; Background Amber fine; Background UV; Background UV fine; Background Color Temperature; Background Tint; Background Color Macro; Background Macro Crossfade; Device Settings; Grouping; DMX-Delay (EZ-Chase); Pixel: R1, G1, B1, W1, A1, Uv1,... R16, G16, B16, W16, A16, Uv16
Fonctions RDM	Fonctions RDM standard Cameo	Fonctions RDM standard Cameo
Autonome	Auto ; Statique ; CCT ; HSI ; Préréglage des couleurs ; Lecture de boucle ; Esclave ; Minuterie	Auto ; Statique ; CCT ; HSI ; Préréglage des couleurs ; Lecture de boucle ; Esclave ; Minuterie
Paramètres système	Wireless; Display Reverse; Display off Timer; Autolock; Signal Fail; Dimmer Curve; Dimmer Response; Redshift; PWM Frequency; Color Calibration; Load Default; Store Default; Service	Wireless; Display Reverse; Display off Timer; Autolock; Signal Fail; Dimmer Curve; Dimmer Response; Redshift; PWM Frequency; Color Calibration; Load Default; Store Default; Service
Interface utilisateur	4 boutons : MENU ; ENTER ; HAUT ; BAS	4 boutons : MENU ; ENTER ; HAUT ; BAS
Afficheur	OLED à 2 lignes	OLED à 2 lignes
Indice IP	IP65 pour une utilisation en extérieur	IP65 pour une utilisation en extérieur
Température ambiante nominale (en fonctionnement)	T -20°C - 45°C (appareil) -10°C - 45°C (afficheur)	T -20°C - 45°C (appareil) -10°C - 45°C (afficheur)
Humidité	Jusqu'à 100% (sans condensation)	Jusqu'à 100% (sans condensation)
Système de refroidissement	Convection passive, sans ventilateur	Convection passive, sans ventilateur

ENGLISH	Niveau sonore	Sans bruit	Sans bruit
	Tension de fonctionnement	100 V CA – 240 V ; 50 Hz-60 Hz	100 V CA – 240 V ; 50 Hz-60 Hz
	Intensité maximale consommée	0,77 A en 230 V ; 1,62 A en 110 V	0,77 A en 230 V ; 1,62 A en 110 V
DEUTSCH	Courant d'appel	42 A	39 A
	Consommation électrique maximale	180 W en 230 V / 110 V	180 W en 230 V / 110 V
	Puissance consommée en veille :	9 W	9 W
FRANCAIS	Connecteurs d'alimentation secteur	Entrée et sortie : Seetronic IP65	Entrée et sortie : Seetronic IP65
	Branchement en cascade	Jusqu'à 9 projecteurs en 230 V ; jusqu'à 5 projecteurs en 110 V	Jusqu'à 9 projecteurs en 230 V ; jusqu'à 5 projecteurs en 110 V
	Distance minimale par rapport à la surface éclairée	0.3 m	0.3 m
ESPAÑOL	Distance minimale par rapport aux matériaux normalement inflammables	0.017 m	0.017 m
	Logement	Fonte d'aluminium, revêtement noir par poudre	Fonte d'aluminium, revêtement noir par poudre
POLSKI	Dimensions	1018 mm (1000 mm lorsque les unités sont liées) x 206 mm x 178 mm	1018 mm (1000 mm lorsque les unités sont reliées) x 206 mm x 178 mm
	Poids	11,8 kg	11,8 kg
ITALIANO	RDM UID	0x08A4004C 0000-FFFF	0x08A4004D 0000-FFFF

## EXPLICATION DE LA CLASSE DE PROTECTION IP

1. Un indice IP décrit uniquement la protection contre les objets solides et l'eau. Il ne décrit pas la résistance générale aux intempéries, comme la protection contre les rayons UV et les influences thermiques, etc.
2. Le premier chiffre de l'indice correspond à indique la protection contre la poussière, les objets solides et le contact :

IP2X	Protégé contre les corps étrangers solides $\geq 12,5$ mm de diamètre
IP3X	Protégé contre les corps étrangers solides $\geq 2,5$ mm de diamètre
IP4X	Protégé contre les corps étrangers solides $\geq 1,0$ mm de diamètre
IP5X	Protégé contre la poussière en quantités dangereuses et complètement protégé contre le contact
IP6X	Étanche à la poussière et complètement protégé contre le contact

3. Le second chiffre de l'indice indique la protection contre l'eau :

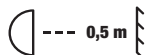
IPX0	Pas de protection
IPX1	Protection contre les gouttes d'eau
IPX2	Protection contre les gouttes d'eau lorsque l'appareil est incliné jusqu'à $15^\circ$
IPX3	Protection contre la chute d'eau pulvérisée jusqu'à $60^\circ$ par rapport à la verticale
IPX4	Protection contre les projections d'eau sur tous les côtés
IPX5	Protection contre les jets d'eau (buse) provenant de n'importe quel angle
IPX6	Protection contre les jets d'eau puissants
IPX7	Protection contre l'immersion temporaire

4. En outre, certaines mesures spécifiques à l'appareil, telles que des couvercles et des capuchons d'étanchéité, sont nécessaires pour atteindre la classe de protection spécifiée (par exemple, des capuchons de protection sur les connexions inutilisées).



L'indice IP du produit figure dans les données techniques et est imprimé sur l'appareil.

## DISTANCE MINIMALE PAR RAPPORT À LA SURFACE ÉCLAIRÉE



Ce symbole avec des informations sur la distance en mètres (m) indique la distance minimale du projecteur par rapport à la surface éclairée. Dans cet exemple, la distance est de 0,5 m. La valeur valable pour cet appareil est indiquée dans les caractéristiques techniques de ce manuel et elle est sérigraphiée sur le boîtier de l'appareil.

## DISTANCE MINIMALE PAR RAPPORT AUX MATÉRIAUX NORMALEMENT INFLAMMABLES



Ce symbole accompagné d'une indication de distance en mètres (m) indique la distance minimale de l'appareil par rapport aux matériaux normalement inflammables. Dans cet exemple, la distance est de 0,5 m. Pour connaître la valeur valable pour cet appareil, veuillez vous référer aux données techniques de ce manuel !

## MISE AU REBUT



### EMBALLAGE :

1. Les emballages peuvent être introduits dans le cycle des matériaux réutilisables en utilisant les méthodes d'élimination habituelles.
2. Veuillez à trier les emballages conformément aux lois sur la mise au rebut et aux réglementations sur le recyclage en vigueur dans votre pays.



### APPAREIL :

1. Cet appareil est soumis à la directive européenne sur les déchets d'équipements électriques et électroniques telle qu'amendée. Directive DEEE relative aux déchets d'équipements électriques et électroniques. Les appareils usagés ne doivent pas être jetés dans les ordures ménagères. L'appareil usagé doit être éliminé par une entreprise de recyclage agréée ou une déchetterie municipale. Veuillez à respecter les réglementations en vigueur dans votre pays.
2. Respectez toutes les lois relatives à l'élimination des déchets en vigueur dans votre pays.
3. En tant que particulier, vous pouvez obtenir des informations sur les possibilités d'élimination respectueuse de l'environnement auprès du vendeur du produit ou des autorités régionales compétentes.

## DÉCLARATIONS DU FABRICANT

### GARANTIE DU FABRICANT ET LIMITATION DE RESPONSABILITÉ

Adam Hall GmbH, Adam-Hall-Str. 1, D-61267 Neu Anspach /

Courriel : [Info@adamhall.com](mailto:Info@adamhall.com) / +49 (0)6081 9419-0

Nos conditions de garantie et notre limitation de responsabilité actuelles peuvent être consultées en ligne à l'adresse suivante :

[https://cdn-shop.adamhall.com/media/pdf/Manufacturers-Declarations-CAMEO\\_DE\\_EN\\_ES\\_FR.pdf](https://cdn-shop.adamhall.com/media/pdf/Manufacturers-Declarations-CAMEO_DE_EN_ES_FR.pdf)

En cas de recours au service après-vente, veuillez contacter votre interlocuteur commercial.

### Conformité CE

Adam Hall GmbH confirme par la présente que ce produit est conforme aux directives suivantes (le cas échéant) :

Directive basse tension (2014/35/UE)

Directive CEM (2014/30/UE)

RoHS (2011/65/EU)

RED (2014/53/EU)

## **Déclaration de conformité CE**

Les déclarations de conformité pour les produits soumis aux directives LVD, EMC, RoHS peuvent être demandées à [info@adamhall.com](mailto:info@adamhall.com)

Les déclarations de conformité des produits soumis à la directive RED peuvent être téléchargées sur [www.adamhall.com/compliance/](http://www.adamhall.com/compliance/).

**Sous réserve de fautes d'impression et d'erreurs, ainsi que de modifications techniques ou autres !**

ENGLISH

DEUTSCH

FRANCAIS

ESPAÑOL

POLSKI

ITALIANO

DMX

¡Gracias por elegir nuestros productos!

Este equipo está diseñado y fabricado con los estándares de calidad más exigentes, para garantizar un correcto funcionamiento durante muchos años. Lea atentamente este manual de usuario para poder aprovechar rápidamente toda la funcionalidad de su nuevo producto de Cameo Light. Más información sobre Cameo Light en la web **CAMEOLIGHT.COM**.

## INFORMACIÓN SOBRE ESTE MANUAL DE USUARIO

- Lea atentamente las instrucciones de seguridad y todo el manual antes de utilizar el equipo.
- Respete los indicadores de advertencia que aparecen en el equipo y en las instrucciones de uso.
- Tenga siempre a mano el manual de usuario.
- Si vende o cede el aparato, es importante que incluya también este manual del usuario, ya que forma parte integrante del producto.

## USO ADECUADO

Este producto está pensado para el sector de eventos.

Este producto ha sido desarrollado para uso profesional en el sector de eventos y no está diseñado para el uso doméstico.

Además, este producto está destinado a ser utilizado por usuarios cualificados con conocimientos especializados sobre tecnología para eventos.

Se considerará contrario al uso previsto utilizar este producto fuera de las condiciones de funcionamiento y los datos técnicos especificados.

Queda excluida toda responsabilidad por daños personales y materiales si se utiliza el producto fuera del uso previsto.

El producto no es adecuado para:

- Personas (incluidos niños) con capacidades físicas, sensoriales o mentales reducidas o con falta de experiencia y conocimientos.
- Niños (los niños deben recibir instrucciones de no jugar con este equipo).

## DEFINICIONES Y EXPLICACIONES DE LOS SÍMBOLOS

1. **PELIGRO:** La palabra PELIGRO, posiblemente en combinación con un símbolo, indica una situación o condición inminentemente peligrosa para la vida y la integridad física.
2. **ADVERTENCIA:** La palabra ADVERTENCIA, posiblemente en combinación con un símbolo, indica situaciones o condiciones potencialmente peligrosas para la vida y la integridad física.
3. **PRECAUCIÓN:** La palabra PRECAUCIÓN, posiblemente en combinación con un símbolo, se utiliza para indicar situaciones o condiciones que pueden provocar lesiones.
4. **ATENCIÓN:** La palabra ATENCIÓN, posiblemente en combinación con un símbolo, indica situaciones o condiciones que pueden provocar daños a la propiedad y/o al medioambiente.



Este símbolo indica peligro de descarga eléctrica.



Este símbolo identifica las zonas o situaciones peligrosas.



Este símbolo indica peligro por superficie a alta temperatura.



Este símbolo indica peligro debido a fuente de luz intensa.



Este símbolo indica que en el equipo no hay piezas que pueda sustituir el usuario.



Este símbolo indica información complementaria sobre el uso del producto.

## INSTRUCCIONES DE SEGURIDAD



### PELIGRO:

1. No abra el equipo ni intente modificarlo.
2. Si el equipo no funciona correctamente, o si se ha vertido líquido sobre él, o si un objeto ha caído en su interior o si ha sufrido algún desperfecto, apague inmediatamente el equipo y desenchufe el cable eléctrico. Únicamente un técnico especialista debe reparar el equipo.
3. Para los equipos de la clase de protección 1, el conductor de protección debe estar conectado correctamente. No desconecte nunca el conductor de protección. Los equipos de la clase de protección 2 no tienen conductor de protección a tierra.
4. Asegúrese de que los cables con tensión no estén doblados ni dañados mecánicamente de alguna forma.
5. Nunca puentee nunca el fusible de la unidad.



### ADVERTENCIA:

1. El equipo no debe ponerse en funcionamiento si presenta daños evidentes.
2. El equipo solo debe instalarse cuando esté desenchufado de la corriente eléctrica.
3. Si el cable eléctrico está dañado, no ponga en funcionamiento el equipo.
4. Los cables eléctricos fijos solo deben ser sustituidos por una persona cualificada.



### ATENCIÓN:

1. Si el equipo ha estado expuesto a un cambio brusco de temperatura (por ejemplo, después del transporte), no lo encienda inmediatamente. La condensación o la humedad podrían dañar el equipo. No encienda el equipo hasta que haya alcanzado la temperatura ambiente.
2. Asegúrese de que la tensión y la frecuencia de la red eléctrica coinciden con los valores indicados en el equipo. Si el equipo dispone de un selector de tensión, antes de enchufarlo a la red eléctrica, asegúrese de que el valor seleccionado es correcto. Utilice solo cables eléctricos adecuados.
3. Para desconectar completamente el equipo de la red eléctrica, no es suficiente con pulsar el interruptor de encendido/apagado del equipo.
4. Asegúrese de que el fusible utilizado corresponde al tipo impreso en el equipo.
5. Asegúrese de que se han tomado las medidas necesarias contra las sobretensiones (por ejemplo, si cae un rayo).
6. Respete la corriente de salida máxima especificada en los equipos con salida eléctrica en paralelo. Asegúrese de que el consumo total de corriente de todos los equipos conectados no supera el valor especificado.
7. Sustituya los cables eléctricos solo por otros cables originales.



### PELIGRO:

1. ¡Peligro de asfixia! Las bolsas de plástico y las piezas pequeñas deben mantenerse fuera del alcance de las personas (incluidos los niños) con capacidades físicas, sensoriales o mentales reducidas.
2. ¡Peligro de caída! Asegúrese de que el equipo está sólidamente instalado y no se puede caer. Utilice únicamente soportes y anclajes adecuados (especialmente en instalaciones fijas). Asegúrese de que los accesorios están correctamente instalados y firmemente fijados. Asegúrese de que se cumplen las normas de seguridad pertinentes.



### ADVERTENCIA:

1. Utilice el equipo únicamente de la forma prevista.
2. Emplee el equipo solo con los accesorios previstos y recomendados por el fabricante.
3. Al instalar el equipo, respete las normas de seguridad aplicables en su país.
4. Una vez conectado el equipo, compruebe que en toda la longitud del cableado no hay peligro de que provoque una caída, por ejemplo.
5. ¡Es esencial respetar la distancia mínima especificada a los materiales normalmente inflamables! Si no se indica explícitamente, la distancia mínima es de 0,3 m.
6. Hay que tener siempre en cuenta la distancia mínima a la superficie iluminada (indicada en el equipo).





### PRECAUCIÓN:

1. En el caso de los componentes móviles, como los soportes de montaje u otros elementos móviles, existe la posibilidad de que se atasquen.
2. En el caso de los equipos con componentes accionados por motor, existe riesgo de lesiones por el movimiento del equipo. Un movimiento brusco del aparato puede provocar lesiones por impacto.



3. La superficie de la carcasa del equipo puede calentarse mucho durante el funcionamiento normal. Tenga cuidado de no tocar accidentalmente la carcasa. Esperar siempre hasta que el equipo se haya enfriado lo suficiente antes de desmontarlo, realizar trabajos de mantenimiento, cargarlo u otras manipulaciones.



### ATENCIÓN:

1. Evite instalar el equipo cerca de radiadores, acumuladores de calor, estufas o cualquier otra fuente de calor. Asegúrese de que el equipo esté instalado en un lugar con ventilación suficiente para evitar cualquier sobrecalentamiento.
2. No coloque cerca del equipo fuentes de llamas sin protección, por ejemplo, velas encendidas.
3. Las rejillas de ventilación no deben estar cubiertas; los ventiladores no deben estar bloqueados.
4. Utilice el embalaje original u otro embalaje suministrado por el fabricante para el transporte.
5. Evite los golpes o impactos en el equipo.
6. Respete la clase de protección IP, así como las condiciones ambientales, como la temperatura y la humedad, de acuerdo con las especificaciones.
7. Los equipos pueden perfeccionarse constantemente. En caso de que la información sobre las condiciones de funcionamiento, el rendimiento u otras propiedades del equipo especificada en el manual del usuario difiera de la información del etiquetado del equipo, siempre tendrá prioridad la información del equipo.
8. El equipo no es adecuado para climas tropicales ni para funcionar a más de 2000 m sobre el nivel del mar.
9. A menos que se indique explícitamente, el equipo no es adecuado para su uso en entornos marinos.



### NOTA:

Si se utilizan sets de conversión o reequipamiento, o accesorios suministrados por el fabricante, asegúrese de respetar el manual de instrucciones adjunto.



## ¡PRECAUCIÓN!: ¡INFORMACIÓN IMPORTANTE SOBRE LOS PRODUCTOS DE ILUMINACIÓN!

1. No mire directamente el haz de luz, ni siquiera momentáneamente.
2. No mire directamente el haz de luz con instrumentos ópticos, como lentes de aumento.
3. ¡Los efectos estroboscópicos pueden a veces causar convulsiones en personas fotosensibles!
4. Estos focos cuentan con una lámpara fija que no debe ser sustituida por el usuario. En caso de avería, póngase en contacto con el distribuidor.



## TRANSMISIÓN DE SEÑALES POR RADIO: (como W-DMX o sistemas de audio por radio, Bluetooth):

La calidad y las prestaciones de las transmisiones de señales inalámbricas suelen depender de las condiciones ambientales.

Por ejemplo, los siguientes factores pueden influir en el alcance y la estabilidad de la señal:

- Apantallamiento (como muros, estructuras metálicas, agua).
- Saturación del espectro de radio (como redes wifi potentes).
- Interferencias
- Radiación electromagnética (videowalls LED, reguladores de intensidad de luces).

Todas las especificaciones sobre el alcance se refieren a la operación en campo libre con línea directa visual y sin interferencias.

El funcionamiento de los transmisores está sujeto a la normativa oficial. Esta puede variar de una región a otra y el operador debe verificarla antes del uso (como la frecuencia de radio y la potencia de transmisión).



**ADVERTENCIA:** Los transmisores inalámbricos no deben utilizarse en zonas sensibles donde la radio puede provocar interferencias. Entre las zonas sensibles están:

- Hospitales, centros de salud u otros centros de atención sanitaria que prestan atención al paciente con personal y equipos especializados.
- Zonas peligrosas de clase I, II y III.
- Zonas restringidas.
- Instalaciones militares.
- Aviones y vehículos.
- Zonas en las que está prohibido el uso de teléfonos móviles.



## **TRANSMISIÓN DE SEÑALES POR W-DMX**

**ADVERTENCIA:** En general, la transmisión DMX inalámbrica no debe utilizarse para aplicaciones con factores relacionados con la seguridad que puedan provocar lesiones personales o daños materiales en caso de fallo.

Esto se aplica en particular a las estructuras móviles de escenarios o trusses, motores/elevadores controlados por DMX o equipos de elevación que accionan por DMX plataformas elevadoras controladas, sistemas hidráulicos o componentes móviles similares. Además, la transmisión DMX inalámbrica no debe utilizarse para activar dispositivos de llama o pirotécnicos, efectos con explosiones o para controlar efectos de gas o líquidos. Estos incluyen cañones de CO<sub>2</sub>, disparadores de confeti, efectos de agua o similares.



## **INDICACIONES PARA EQUIPOS PORTÁTILES DE EXTERIOR**

1. Operación temporal. En principio, los equipos para eventos están diseñados solo para un uso temporal.
2. El funcionamiento continuo o la instalación permanente, sobre todo en exteriores, pueden perjudicar el funcionamiento, las superficies y las juntas, así como acelerar el desgaste del material.
3. Los daños en el revestimiento de la superficie pueden afectar a la protección anticorrosión del equipo. Si el revestimiento de la superficie está dañado (p. ej., por arañazos), se deberá reparar lo antes posible con las medidas adecuadas.

## **ELEMENTOS SUMINISTRADOS**

Saque el producto del embalaje y retire todo el material de embalaje.

Compruebe que ha recibido en perfecto estado todos los componentes del equipo e informe al distribuidor inmediatamente después de la compra si nota algún daño o la falta de algún componente.

El producto CLPB400IPG2 se suministra con:

- ▶ Foco PIXBAR® 400 IP65 G2 RGBW
- ▶ 2 pies de montaje deslizantes con adaptador de espiga de montaje plegable SPIN16® (pre-montados)
- ▶ 1 filtro frost estándar
- ▶ 1 pantalla antirreflejos
- ▶ 1 cable de alimentación
- ▶ Manual de usuario

El producto CLPB600IPG2 se suministra con:

- ▶ 1 foco PIXBAR® 600 IP65 G2 RGBWAUV
- ▶ 2 pies de montaje deslizantes con adaptador de espiga de montaje plegable SPIN16® (pre-montados)
- ▶ 1 filtro frost estándar
- ▶ 1 pantalla antirreflejos
- ▶ 1 cable de alimentación
- ▶ Manual de usuario

## INTRODUCCIÓN

### Proyector de exterior PIXBAR® 400 IP G2

CLPB400IPG2 con 16 LED RGBW 4 en 1

### Proyector de exterior PIXBAR® 600 IP G2

CLPB600IPG2 con 16 LED RGBWAUV 6 en 1

## MODOS DE CONTROL:

### CLPB400IPG2

Canal 1, canal 3 Preset, canal 4 Direct, canal 7 Direct Control, canal 8 16 bits, canal 10 Direct CCT, canal 11 Effect Pattern, canal 16 Wash, canal 36 Pattern, canal 48 Pixel RGB, canal 64 Pixel, canal 68 Pixel Dim, canal D2, canal D4 Preset y canal D7 de control directo DMX

### CLPB600IPG2

Canal 1, canal 3 Preset, canal 6 Direct, canal 9 Direct Control, canal 12 16 Bits, canal 12 Direct CCT, canal 13 Effect Pattern, canal 20 Wash, canal 44 Pattern, canal 48 Pixel RGB, canal 96 Pixel, canal 100 Pixel Dim, canal D2, canal D4 Preset y canal D9 de control directo DMX

RDM

W-DMX™

Modo Maestro/Esclavo

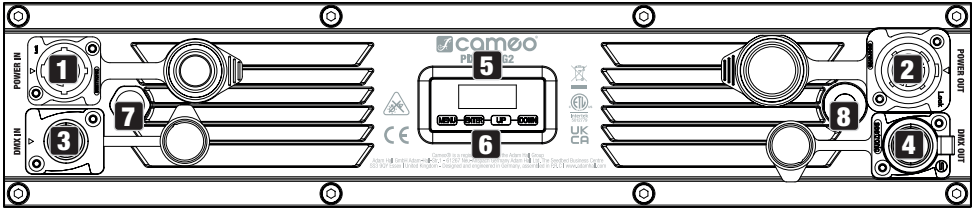
Modos Autónomo

## CARACTERÍSTICAS:

- Clase de protección IP65
- Refrigeración por convección
- Alimentación eléctrica de 100-240 V CA

Los focos son compatibles con el estándar RDM (Remote Device Management) de gestión remota de dispositivos. Esta característica de gestión remota permite consultar el estado y la configuración de equipos RDM mediante un controlador compatible con RDM, como el Cameo UNICON, disponible como accesorio opcional (ref. CLIREMOTE). El Cameo UNICON también permite acceder a todo el menú del equipo.

## CONEXIONES, CONTROLES E INDICADORES



— Los modelos CLPB400IPG2 y CLPB600IPG2 cuentan con conexiones, controles e indicadores idénticos

### 1 POWER IN

Entrada eléctrica IP65 con tapa hermética de goma (compatible con TRUE1). Alimentación eléctrica de 100-240 V CA, 50/60 Hz. Para enchufar el cable eléctrico suministrado (cuando no se utilice, dejar siempre la tapa cerrada).

### 2 POWER OUT

Salida eléctrica IP65 con tapa hermética de goma (compatible con TRUE1). Sirve para alimentar otros focos CAMEO. Asegúrese de que el consumo total de todos los equipos conectados no supere los amperios especificados del equipo (cuando no se utilice, dejar siempre la tapa cerrada).

### 3 DMX IN

XLR IP65 macho de 5 pines para conectar un equipo de control DMX, como una mesa DMX (cuando no se utilice, dejar siempre la tapa cerrada).

### 4 DMX OUT

XLR IP65 hembra de 5 pines para reenviar la señal DMX (cuando no se utilice, dejar siempre la tapa cerrada).

### 5 PANTALLA OLED

La pantalla OLED muestra el modo de funcionamiento activo o la dirección DMX actual (pantalla principal), las opciones del menú y el valor o el modo de funcionamiento dentro de las diferentes opciones de menú.

## 6 BOTONES TÁCTILES

**MENU:** Pulse MENU para ir al menú principal. Pulse este botón una o varias veces para volver a la pantalla principal.

**UP y DOWN:** Seleccione las opciones del menú principal (dirección DMX, modo operativo, etc.) y de los submenús con los botones UP y DOWN. Cambie el valor o el estado de un elemento del menú, como, la dirección DMX. Para modificar un valor rápidamente (p. ej., la dirección de inicio DMX), mantenga pulsado UP o DOWN.

**ENTER:** Pulse ENTER para abrir el nivel de menú y poder modificar valores y estados, así como abrir uno de los submenús. Para confirmar los cambios de valor o estado, pulse ENTER.



### NOTA:

- Antes de desplazarse por los menús del equipo, asegúrese de que el área de control está limpia y seca, para que no se vea afectado su funcionamiento.
- El agua en el área de control puede provocar un funcionamiento incorrecto del foco, por ejemplo, en exteriores. Por lo tanto, después de configurar el foco, active la función de bloqueo para evitar un funcionamiento incorrecto por el agua (Settings > Display > Autolock).

## 7 DISPOSITIVO COMPENSADOR DE PRESIÓN

Dispositivo compensador de presión que evita la formación de condensación en el interior de la carcasa. Para que funcione correctamente, el elemento debe protegerse de la suciedad.

## 8 ANTENA W-DMX™

Antena para el control por W-DMX™.



**ATENCIÓN:** los conectores especiales de entrada y salida DMX deben quedar perfectamente sellados con los conectores especiales IP65, o bien dejar cerrada la tapa hermética de goma. Los conectores eléctricos POWER IN y POWER OUT una vez conectados están protegidos contra las salpicaduras conforme a IP65, al igual que cuando la tapa protectora está perfectamente cerrada.

## OPERACIÓN

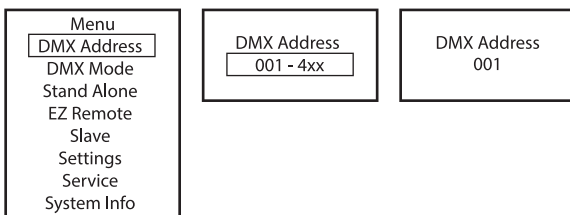
### OBSERVACIONES

- Una vez conectado el foco a la red eléctrica, durante el proceso de arranque se mostrarán sucesivamente los siguientes mensajes en la pantalla «Update wait.» (solo para mantenimiento), «Welcome to Cameo», el modelo del equipo y la versión del software. Al terminar el proceso, el equipo ya está listo para funcionar y se activará el modo de funcionamiento seleccionado previamente.
- Si durante unos 30 segundos no se detecta ninguna actividad, en la pantalla se mostrará automáticamente la pantalla principal.

- Nota sobre la pantalla principal en los modos de funcionamiento con control externo: En cuanto se interrumpe la señal de control, los caracteres de la pantalla empiezan a parpadear; si la señal de control vuelve a estar presente, el parpadeo se detendrá.
- Pulse brevemente el botón UP desde la pantalla principal para girar 180° la imagen.

## AJUSTE DE LA DIRECCIÓN INICIAL DMX (DMX Address)

Desde la pantalla principal, pulse MENU para ir al menú principal. Con los botones UP y DOWN seleccione la opción de menú **DMX Address** y confirme la selección con ENTER. A continuación, configure la dirección inicial DMX con los botones UP y DOWN y confirme con ENTER (el valor más alto depende del modo DMX activado).



## AJUSTE DEL MODO DMX (DMX Mode)

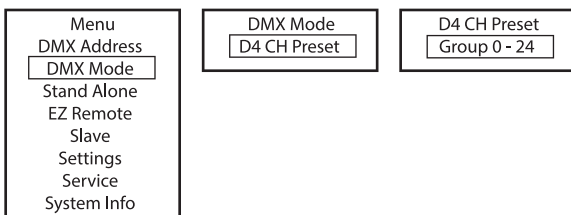
Desde la pantalla principal, pulse MENU para ir al menú principal. Con los botones UP y DOWN seleccione la opción de menú **DMX Mode** y confirme la selección con ENTER. Luego con los botones UP y DOWN seleccione el modo DMX y confirme con ENTER. Los modos de funcionamiento DMX con canal de retardo DMX y selección de grupo (Group 0-24) están marcados con «D». Consulte las tablas DMX con la asignación de canales en la sección CONTROL DMX de este manual.

	CLPB400IPG2	CLPB600IPG2
Menu	DMX Mode	DMX Mode
DMX Address	1 CH DIM UC1	1 CH DIM UC1
DMX Mode	3 CH Preset	3 CH Preset
Stand Alone	4 CH Direct	6 CH Direct
EZ Remote	7 CH Direct Ctrl	9 CH Direct Ctrl
Slave	8 CH 16Bit Dir	12 CH 16Bit Dir
Settings	10 CH Direct CCT	12 CH Direct CCT
Service	11 CH EffectPatt	13 CH EffectPatt
System Info	16 CH Wash	20 CH Wash
	36 CH Pattern	44 CH Pattern
	48 CH Pixel-RGB	48 CH Pixel-RGB
	64 CH Pixel	96 CH Pixel
	68 CH Pixel+D	100 CH Pixel+D
	D2 CH DIM UC1	D2 CH DIM UC1
	D4 CH Preset	D4 CH Preset
	D7 CH Direct	D9 CH Direct

## Modos operativos DMX con canal de retardo DMX:

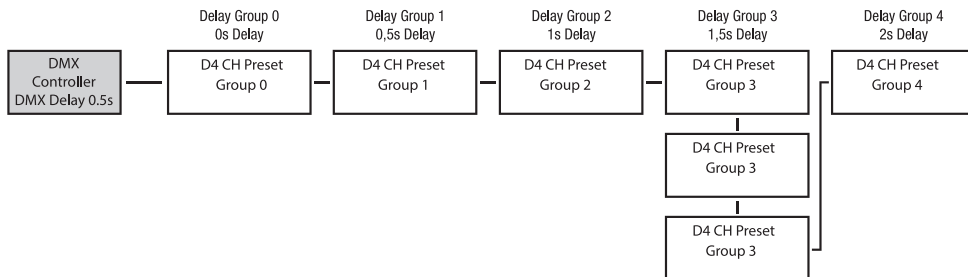
Con la función retardo de DMX se puede crear un efecto de luces en movimiento de manera sencilla con cualquier número de focos del mismo modelo y con la misma versión de software, lo que normalmente solo se podría hacer con un controlador DMX adecuado y mucha programación. Para ello, todos los focos (del mismo modelo y la misma versión del software) se configuran en el mismo modo DMX con canal de retardo DMX y se controlan con la misma dirección inicial DMX.

Ajuste del retardo DMX: Seleccione uno de los modos de funcionamiento DMX con canal de retardo DMX y confirme la selección (en el ejemplo, «D4 CH Preset»). Asigne los focos a uno de los 24 grupos (más grupo 0) según desee. También es posible asignar varios focos a un mismo grupo. El número de grupo es a su vez el factor por el que se multiplica el tiempo de retardo en el controlador DMX. Confirme cada ajuste con ENTER.



El tiempo de retardo de la señal DMX se ajusta mediante un controlador DMX en el canal de retardo de DMX independiente del modo operativo DMX correspondiente (de 0,0 s a 2,0 s en pasos de 0,1 s).

Ejemplo de configuración:



## MODO AUTÓNOMO. MENÚ MASTER/ALONE

En los modos autónomos Direct LED, Color Preset, CCT, HSI, Auto Program y Play Loop, la señal de control del modo correspondiente puede enviarse a los equipos esclavos por el conector XLR (DMX OUT) y por W-DMX™:

Stand Alone > Master/Alone > Master

Puede desactivarse la salida de la señal de control si no es necesaria::

Stand Alone -> Master/Alone -> Alone

Pueden configurarse los equipos esclavos con un retardo de la salida temporizada de la señal de control de los modos autónomos Auto Program y Play Loop.

Desde la pantalla principal, pulse MENU para ir al menú principal. Ahora seleccione la opción de menú **Stand Alone**, confirme, seleccione **Master/Alone** y confirme de nuevo.



Menu
DMX Address
DMX Mode
Stand Alone
EZ Remote
Slave
Settings
Service
System Info

Stand Alone
Master/Alone
Direct LED
Color Preset
CCT
HSI
Play Loop
Timer
Edit User Color
Edit Loop

Accederá al submenú en el que podrá configurar las opciones de la tabla siguiente.

Master	Send to XLR	La señal de control se envía por DMX OUT	
	Send to W-DMX	On	Activada la transmisión de la señal de control DMX por W-DMX
		Off	Desactivada la transmisión de la señal de control DMX por W-DMX
		Force to pair	Emparejar con equipos W-DMX listos para emparejar
		Unlink All	Desconectar todas las conexiones W-DMX
	DMX Delay	Ajustar el retardo DMX para los equipos esclavos: desactivado, 0.1s-2.0s	
Alone		No reenviar la señal de control	

### MODO AUTÓNOMO. DIRECT LED

El modo autónomo Direct LED permite ajustar directamente en el equipo los valores de atenuación, estrobo, R, G, B y W (CLPB400IPG2) o R, G, B, W, A y UV (CLPB600IPG2), de forma similar a un controlador DMX. De este modo, podrá crear una escena personalizada sin necesidad de un controlador DMX adicional.

Desde la pantalla principal, pulse MENU para ir al menú principal. Utilice UP y DOWN para seleccionar **Stand Alone**, confirme con ENTER; después seleccione **Direct LED** y confirme de nuevo con ENTER. Seleccione ahora la opción de menú que desea editar, confirme la selección, ajuste el valor deseado y confirme la entrada.

Menu
DMX Address
DMX Mode
Stand Alone
EZ Remote
Slave
Settings
Service
System Info

Stand Alone
Master/Alone
Direct LED
Color Preset
CCT
HSI
Play Loop
Timer
Edit User Color
Edit Loop

#### CLPB400IPG2

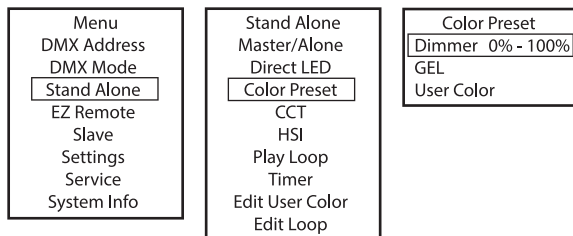
Direct LED
Dimmer 0% - 100%
Red 0% - 100%
Green 0% - 100%
Blue 0% - 100%
White 0% - 100%

#### CLPB600IPG2

Direct LED
Dimmer 0% - 100%
Red 0% - 100%
Green 0% - 100%
Blue 0% - 100%
White 0% - 100%
Amber 0% - 100%
UV 0% - 100%

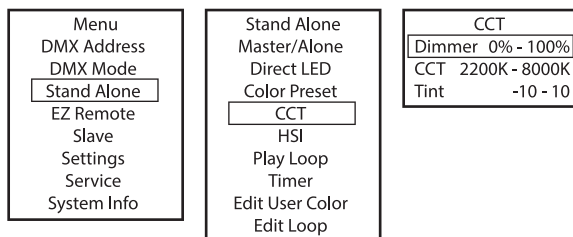
## MODULO AUTÓNOMO. COLOR PRESET

Dispone de 49 preajustes de color y 8 preajustes de usuario ajustables de forma independiente (consulte la sección **Edit User Color**). La intensidad puede ajustarse en el nivel superior. Desde la pantalla principal, pulse MENU para ir al menú principal. Pulse UP y DOWN para seleccionar la opción de menú **Stand Alone**, confirme la selección, y a continuación seleccione **Color Preset** y confirme de nuevo con ENTER. Seleccione ahora **GEL** o **User Color**, y confirme la selección. Seleccione el preajuste deseado y confirme la selección. Seleccione ahora **Dimmer** (intensidad), confirme la selección y realice los ajustes que desee. Confirme la entrada.



## MODULO AUTÓNOMO CCT (Correlated Color Temperature)

En el modo CCT autónomo, la temperatura de color puede ajustarse en pasos de 100 K desde 2.200 K hasta 8.000 K, además del tono (Tint) y la intensidad (Dimmer). Desde la pantalla principal, pulse MENU para ir al menú principal. Pulse UP y DOWN para seleccionar la opción de menú **Stand Alone**, confirme la selección, luego seleccione **CCT** y confirme de nuevo con ENTER. Seleccione ahora la opción de menú que desea editar, confirme la selección y realice los ajustes que desee. Confirme la entrada.



## MODULO AUTÓNOMO. HSI (Hue - Saturation - Intensity)

En el modo autónomo HSI, el tono, la saturación y la intensidad pueden ajustarse de forma totalmente independiente. Desde la pantalla principal, pulse MENU para ir al menú principal. Pulse UP y DOWN para seleccionar la opción de menú **Stand Alone**, confirme la selección, luego seleccione **HSI** y confirme de nuevo con ENTER. Seleccione ahora la opción de menú que desea editar, confirme la selección y realice los ajustes que desee. Confirme la entrada.

Menu
DMX Address
DMX Mode
<b>Stand Alone</b>
EZ Remote
Slave
Settings
Service
System Info

Stand Alone
Master/Alone
Direct LED
Color Preset
CCT
<b>HSI</b>
Play Loop
Timer
Edit User Color
Edit Loop

HSI
Dimmer 0% - 100%
Hue 0° - 360°
Saturation 0% - 100%

## MODO AUTÓNOMO. PLAY LOOP (Secuencias de color 1-8 de 8 pasos)

Los 8 bucles disponibles vienen preprogramados de fábrica, pero pueden personalizarse desde la opción **Edit Loop**. La intensidad puede ajustarse en el nivel superior. Desde la pantalla principal, pulse MENU para ir al menú principal. Pulse los botones UP y DOWN para seleccionar la opción del menú **Stand Alone** y confirme la selección con ENTER. Seleccione la opción de submenú **Play Loop** y confirme de nuevo la selección con ENTER. Seleccione ahora la opción de menú que desea editar, confirme la selección y realice los ajustes que desee. Confirme la entrada.

Menu
DMX Address
DMX Mode
<b>Stand Alone</b>
EZ Remote
Slave
Settings
Service
System Info

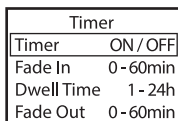
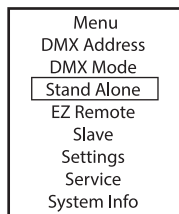
Stand Alone
Master/Alone
Direct LED
Color Preset
CCT
HSI
<b>Play Loop</b>
Timer
Edit User Color
Edit Loop

Play Loop
Dimmer 0% - 100%
Loop 1 - 8

## TEMPORIZADOR

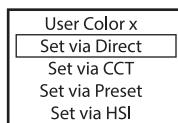
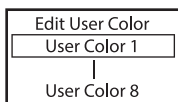
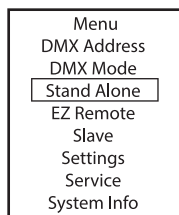
La función de temporizador permite el control temporizado de los modos autónomos Direct LED, Color Preset, CCT y HSI, de forma que el tiempo de fundido de entrada (Fade In) puede ajustarse de 0 a 60 minutos, el tiempo de permanencia (Dwell Time) de 1 a 24 horas y el tiempo de fundido de salida (Fade Out) de 0 a 60 minutos. Después de activar la función de temporizador, en el siguiente inicio del sistema se ejecutará el control temporal de la forma establecida. Desde la pantalla principal, pulse MENU para ir al menú principal. Seleccione **Stand Alone**, confirme la selección, después seleccione **Timer** y vuelva a confirmar la selección. Seleccione el valor **On** en **Timer** con y confirme. Para modificar los ajustes del control temporal, seleccione **Fade In**, **Dwell Time** o **Fade Out** y confirme la selección. Ahora puede ajustar el valor correspondiente. Confirme todos los ajustes realizados. Para desactivar la función de temporizador, seleccione el ajuste **Off** en **Timer** y confirme.

Nota: La función de temporizador es adecuada para el funcionamiento maestro/esclavo por cable y W-DMX™.



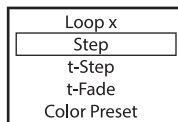
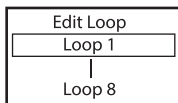
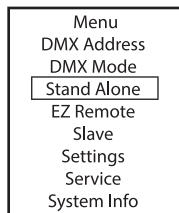
## EDITAR PREAJUSTES DE USUARIO (Edit User Color)

Los ocho presets de usuario disponibles en el modo autónomo Color Preset se pueden editar de forma individual. Desde la pantalla principal, pulse MENU para ir al menú principal. Ahora, utilice los botones UP y DOWN para seleccionar la opción del menú **Stand Alone**, y confirme con ENTER. Seleccione después **Edit User Color** y confirme de nuevo. Seleccione el preajuste deseado (User Color 1-8) y confirme la selección. Ahora decida de qué manera desea crear el color para el preajuste y seleccione uno de los cuatro métodos (Direct, CCT, Preset o HSI) y confirme la selección. A continuación, ajuste el color deseado tal y como se describe en las instrucciones del modo autónomo correspondiente.



## EDITAR BUCLE (Edit Loop)

La intensidad, la duración de paso y el tiempo de superposición pueden ajustarse por separado en los ocho bucles. Desde la pantalla principal, pulse MENU para ir al menú principal. Ahora, utilice los botones UP y DOWN y para seleccionar la opción del menú **Stand Alone** y confirme con ENTER. Seleccione después **Edit Loop** y confirme de nuevo. Seleccione ahora el bucle que desee editar y confirme la selección.



Accederá al submenú en el que podrá configurar las opciones de la tabla siguiente. Los ajustes se hacen por separado para cada bucle y se mantienen incluso después de reiniciar el equipo.

Step	1 - 8	Selección del paso
T-Step	T-Step 0s - 10s = 0,1s steps 10s - 1 min = 1s steps 1 min - 20min = 1 min steps	Ajuste de la duración del paso seleccionado
T-Fade	T-Fade 0s - 10s = 0,1s steps 10s - 1 min = 1s steps 1 min - 20min = 1 min steps	Ajuste del tiempo de fundido para el paso seleccionado
Color Preset	Step 1 + 2: Dark Magenta - Rose Pink, User Color 1 - 8, Blackout	Seleccione el preajuste de color o el oscurecimiento para el paso seleccionado
	Step 3 - 8: Dark Magenta - Rose Pink, User Color 1 - 8, Blackout, Skip Step	Seleccione el preajuste de color o el oscurecimiento, u omita el paso seleccionado

### CONTROL EZ REMOTE CON UNICON DE CAMEO (disponible opcionalmente)

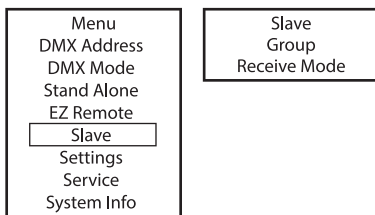
Desde la pantalla principal, pulse MENU para ir al menú principal. A continuación, utilice los botones UP y DOWN para seleccionar la opción **EZ Remote** del menú y pulse ENTER para confirmar. Ajuste ahora el ID del foco deseado (Fixture ID 1-8) y confirme la entrada. Conecte los focos y UNICON con un cable DMX, en el menú de UNICON seleccione **DMX Control**, después **EZ Remote** y configure el mismo ID del foco. A continuación, elija si desea controlar el foco por RGB, GEL, CCT o HSI. Mediante la asignación de diferentes ID de foco, con UNICON se pueden controlar hasta ocho focos (o grupos de focos) de forma independiente.

Menu DMX Address DMX Mode Stand Alone <b>EZ Remote</b> Slave Settings Service System Info	Fixture ID 1 - 8
---	---------------------

### MODO ESCLAVO

**Modo esclavo estándar:** Desde la pantalla principal, pulse MENU para entrar en el menú principal. Pulse los botones UP y DOWN para seleccionar la opción del menú **Slave** y confirme la selección con ENTER. Seleccione el grupo Slave 0 (Slave Group 0) y confirme de nuevo con ENTER. Conecte los equipos esclavos y maestro (del mismo modelo y de la misma versión de software) con un cable DMX o W-DMX™ y en el equipo maestro active uno de los modos autónomos (Direct LED, Color Preset, CCT, HSI, Auto Program, Play Loop). A partir de ese momento, la unidad esclava estará sincronizada con la unidad maestra.

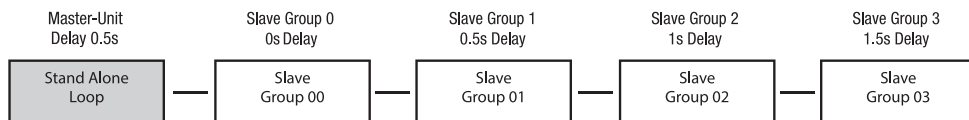
**Modo esclavo ampliado:** Si desea controlar los equipos esclavos mediante uno de los modos autónomos **Auto Program** o **Play Loop** en modo maestro/esclavo, la señal de control puede re-producirse con un retardo de hasta 24 pasos; el retardo se ajusta en el menú **Stand Alone Master/Alone** del equipo maestro; el factor de retardo en el menú Slave del equipo correspondiente (Group). Así se puede crear un efecto de luces en movimiento de manera sencilla con cualquier número de focos del mismo modelo y con la misma versión de software, lo que normalmente solo se podría hacer con un controlador DMX adecuado y mucha programación. Conecte los equipos maestro y esclavo (del mismo modelo y de la misma versión de software) con un cable DMX o por W-DMX™



Group	0 - 24	Ajuste el grupo esclavo para tener un retardo de señal	
Receive Mode	Wire-less	XLR (permanent aktiv)	
		On	Activar el módulo W-DMX
		Off	Desactivar el módulo W-DMX
		Unlink	Desconectar todas las conexiones y pasarlas a estado listo para el emparejamiento

Asigne los focos a uno de los 24 grupos (más grupo 0) según desee. También es posible asignar varios focos a un mismo grupo. El número de grupo es a su vez el factor por el que se multiplica el tiempo de retardo en el equipo maestro.

Ejemplo de configuración:



## CONFIGURACIÓN (Settings)

Desde la pantalla principal, pulse MENU para ir al menú principal. Con los botones UP y DOWN seleccione la opción de menú **Settings** y confirme con ENTER.

Menu
DMX Address
DMX Mode
Stand Alone
EZ Remote
Slave
<b>Settings</b>
Service
System Info

Seguidamente se abre el submenú que permite ajustar las opciones de submenú (ver tabla; seleccionar con los botones UP y DOWN y confirmar con ENTER, modificar los valores o el estado con los botones UP y DOWN y confirmar con ENTER).

Wireless	=	Ajustes inalámbricos	W-DMX State	On	W-DMX activado
				Off	W-DMX desactivado
			Operating Mode	Receive	Modo W-DMX: Receptor
				Transmit	G3 (norma de transmisión G3)
					G4s (transmisión estándar G4s)
			Linking	Unlink	Desacopla todos los equipos y prepararlos para el acoplamiento
				Link/Force to pair	Emparejar con equipos W-DMX. W-DMX debe estar activo en todos los equipos y no debe haber ningún transmisor emparejado (Receive Reset).
			Signal Routing	Send to XLR	Envía la señal entrante al conector XLR
				Backup by XLR	Utiliza la señal entrante del conector XLR si se pierde la señal W-DMX.
Receive only	Sin conexión entre la señal W-DMX y los conectores XLR				
Display	=	Ajustes de pantalla	Reverse	On	Girar la pantalla 180° (p. e., para montaje suspendido)
				Off	No girar la pantalla
			Off Timer	Always On	Pantalla siempre encendida
				Off after 20s	Apagar la pantalla al cabo de unos 20 segundos de actividad
			Autolock	Off	Función desactivada
				On after 60s	Los mandos y la pantalla se bloquean al cabo de unos 60 segundos sin ninguna operación. Desbloquear: Pulse UP y DOWN simultáneamente durante unos 5 segundos

Dimmer	=	Comportamiento de atenuación y frecuencia PWM	Curve	Linear	Curva de atenuación: La intensidad de la luz aumenta linealmente con el valor DMX
				Exponential	Curva de atenuación: La intensidad de la luz se puede ajustar para que varíe poco a niveles bajos de DMX y mucho a niveles altos de DMX
				Logarithmic	Curva de atenuación: La intensidad del foco varía mucho a niveles bajos de DMX y varía poco a niveles altos de DMX.
				S-Curve	Curva de atenuación: La intensidad del foco varía poco a niveles bajos y altos de DMX y varía mucho a niveles intermedios de DMX.
Dimmer	=	Comportamiento de atenuación y frecuencia PWM	PWM Frequency	650 Hz, 1530 Hz, 3600 Hz, 12 kHz, 18.9 kHz, 25 kHz	Selección de la frecuencia PWM de los LED
			Response	LED	El foco reacciona al instante a los cambios en el valor DMX
				Halogen	El foco reacciona como una lámpara halógena, con suaves cambios de intensidad
			Redshift	Dim to Warm	Emula la transición de color que ocurre al atenuar un foco halógeno. Al atenuar el foco, la temperatura de color cambia de forma automática y gradual a tonos de blanco más cálidos y ámbar (y viceversa).
Off	Función desactivada				
Color Calibration	=	Calibración del color	RAW		R, G, B y W (CLPB400IPG2) o R, G, B, W, A y UV (CLPB600IPG2) con un valor máximo de 255
			User	CLPB400IPG2: RGBW CLPB600IPG2: RGB-WAUv	Calibración individual de colores. Ajuste de la intensidad común a todos los modos operativos entre 0 y 255
			Factory		Calibración de fábrica (para todos los modos)
			Smart		Combinación de la calibración de fábrica y RAW



Signal Fail	=	Estado operativo si se interrumpe la señal de control	Hold	Último modo operativo
			Last Stand Alone	Se inicia el último modo autónomo activado
			Fade to Black (10s)	Desvanecimiento de 10 segundos hasta oscurecimiento
			Blackout	Oscurecimiento instantáneo
			User Color 1	Se activa User Color 1
			Full	Full On
Pixel Mirror	=	Píxel espejo	Off	Función desactivada
			On	Los píxeles se reflejan
Store Default	=	Guardar todos los ajustes del sistema en 3 preajustes	User A	Guardar con ENTER
			User B	Guardar con ENTER
			User C	Guardar con ENTER

## MENÚ DE SERVICIO (Service)

Desde la pantalla principal, pulse MENU para acceder al menú principal. Pulse UP y DOWN para seleccionar **Service** y confirme con ENTER.

Menu
DMX Address
DMX Mode
Stand Alone
EZ Remote
Slave
Settings
<b>Service</b>
System Info

En la siguiente tabla encontrará información sobre las opciones del submenú del menú Service y las opciones correspondientes (seleccionar con UP y DOWN, confirmar con ENTER, cambiar el valor o el estado con UP y DOWN, y confirmar con ENTER).

Load Default	Factory	Restablecer los valores de fábrica
	User A	Restablecer los valores del usuario A (Guardar valores de usuario: Settings > Store Default)
	User B	Restablecer los valores del usuario B (Guardar valores de usuario: Settings > Store Default)
	User C	Restablecer los valores del usuario C (Guardar valores de usuario: Settings > Store Default)
Reset Service	No	Cancelar el proceso
Timer	Reset now	Restablecer el tiempo de funcionamiento de servicio
Password	Solo para mantenimiento	

### INFORMACIÓN DEL SISTEMA (System Info)

Desde la pantalla principal, pulse MENU para acceder al menú principal. Pulse UP y DOWN para seleccionar **System Info** y confirme con ENTER.

Menu
DMX Address
DMX Mode
Stand Alone
EZ Remote
Slave
Settings
Service
<b>System Info</b>

En la siguiente tabla encontrará información sobre las opciones del submenú del menú System Info y las opciones correspondientes (seleccionar con UP y DOWN, confirmar con ENTER, cambiar el valor o el estado con UP y DOWN, y confirmar con ENTER).

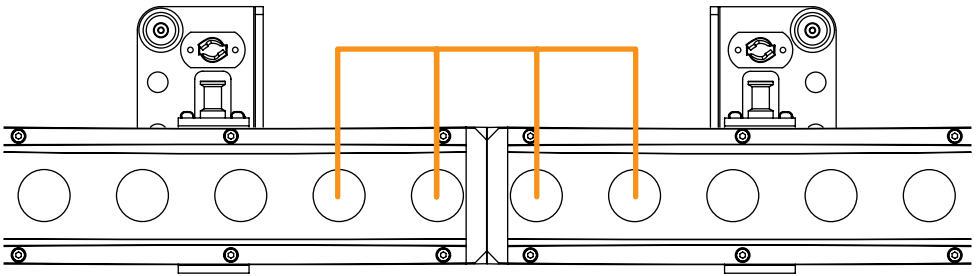
Firmware	DISP	Vx.x.x	Consultar la versión de firmware del componente correspondiente
	DRV	Vx.x.x	
Temperature	LED	xxx °C/°F	Consultar la temperatura del componente correspondiente
	Temperature Unit	°C °F	Unidad de temperatura
Runtime	Total	xxxx h : xx m	Tiempo operativo total
	Operation	xxxx h : xx m	Tiempo operativo útil
	LED	xxxx h : xx m	Tiempo operativo de la lámpara
	Service	xxxx h : xx m	Tiempo operativo tras restablecer el tiempo de funcionamiento de servicio
RDM-UID	RDM Unique Identifier (identificador único)		

## MONTAJE



**PELIGRO:** El montaje en altura requiere mucha experiencia, incluido el cálculo de los valores límite de la carga de trabajo, el material de instalación utilizado y las comprobaciones de seguridad periódicas de todos los materiales de instalación y focos. Si no está cualificado para ello, no intente realizar la instalación por su cuenta y recurra a una empresa profesional. Existe el riesgo de que los equipos que no se hayan montado y fijado correctamente se suelten y se caigan. Esto puede provocar lesiones graves o incluso la muerte de personas.

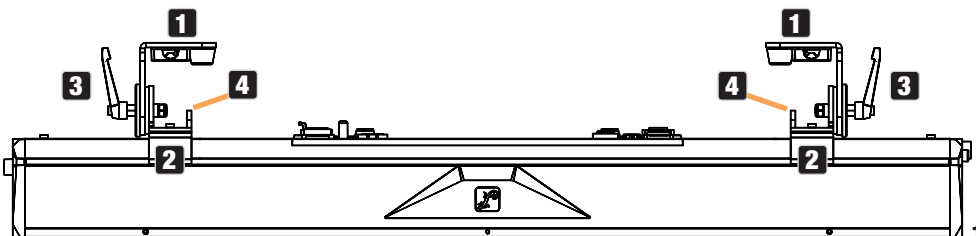
Gracias al exclusivo mecanismo de montaje, al acoplar varias barras PIXBAR® G2, también se produce un espaciado uniforme entre píxeles en las transiciones entre una y otra barra PIXBAR® G2.



Gracias al soporte ajustable o a los pies de montaje, la PIXBAR® G2 puede colocarse en la posición adecuada sobre un suelo nivelado (por ejemplo, como foco upright).

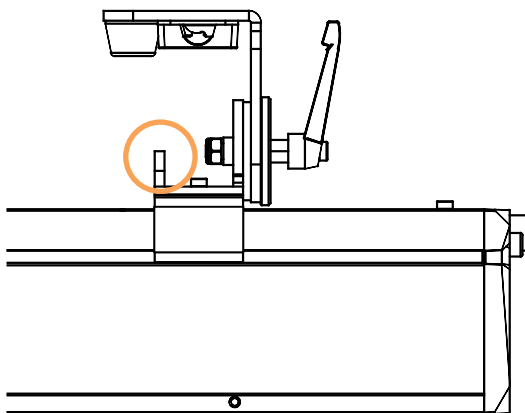
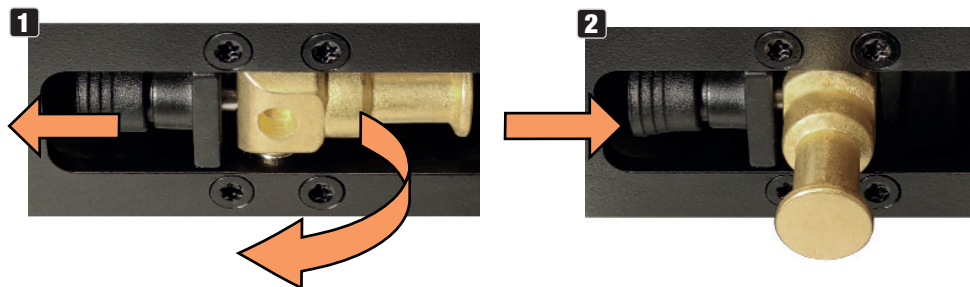
### MONTAJE DE UNA BARRA PIXBAR® EN UN TRUSS

El montaje en truss se realiza utilizando las abrazaderas para truss disponibles como accesorio opcional, que se fijan directamente a los pies de montaje (1) o a los soportes de montaje en omega disponibles como accesorio opcional (ref. CLOMEGABRACKET1). Los pies de montaje pueden desplazarse en la carcasa de la barra PIXBAR® G2. Para ello, afloje el cinco tornillos Allen centrales (2), desplace el pie a la posición deseada y vuelva a apretar los tornillos Allen. La dirección de la radiación puede ajustarse con las palomillas (3) de los pies de montaje. Asegúrese de que todo está bien apretado y de que la barra PIXBAR® G2 no pueda soltarse. Cuando monte en altura la barra PIXBAR® G2, asegúrela con un cable de seguridad adecuado a una de las argollas de seguridad disponibles (4). Cuando monte en altura varias barras PIXBAR® G2 acopladas horizontalmente, cada PIXBAR® G2 debe colocarse por separado al bastidor con los pies de montaje y asegurarse con un cable de seguridad adecuado.



## UTILICE EL ADAPTADOR DE ESPIGA SPIN16 PARA EL MONTAJE

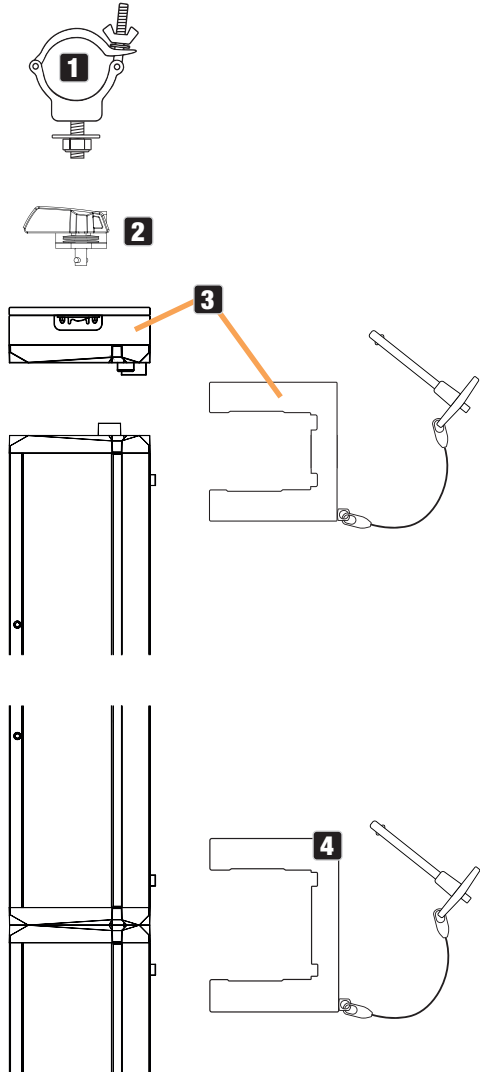
Los pies de montaje de la barra PIXBAR® G2 tienen adaptador de espigas de 16 mm que pueden abrir y cerrarse sin necesidad de ninguna herramienta. Para abrir un adaptador de espiga, tire del perno de bloqueo con resorte para sacarlo del orificio de bloqueo en la dirección indicada (1), doble el adaptador de espiga hacia delante y deje que el perno de bloqueo encaje en el orificio de bloqueo desplazado 90° (2). Utilice abrazaderas adecuadas para el montaje. Asegúrese de que todo está bien apretado y de que el foco no pueda soltarse. Cuando monte en altura el foco, asegúrelo con un cable de seguridad adecuado a una de las argollas de seguridad disponibles (vea la marca en la figura).



## MONTAJE SUSPENDIDO VERTICAL EN UN TRUSS

Para el montaje suspendido vertical, pueden acoplarse entre sí hasta tres barras PIXBAR® G2. Para ello debe utilizar los siguientes productos disponibles como accesorios opcionales:

- 1** Una abrazadera adecuada con capacidad de carga suficiente para el peso total (por ejemplo, una abrazadera simple).
- 2** Un soporte en omega (ref. CLOMEGABRACKET1).
- 3** Un accesorio de montaje vertical (ref. CLPBG2VERTIMOUNT).
- 4** Se necesitan uno o dos conectores para dos o tres barras PIXBAR® G2 y asegurar el acoplamiento (ref. CLPBG2STACKKIT).



La argolla de seguridad del pie superior de la barra superior sirve como punto de seguridad. Asegúrese de que el cable de seguridad utilizado para asegurar las barras es adecuado para el peso total de las mismas. Por motivos estéticos, los pies de montaje pueden plegarse hacia un lado de la carcasa. La terminación de goma evita que se dañe la superficie.

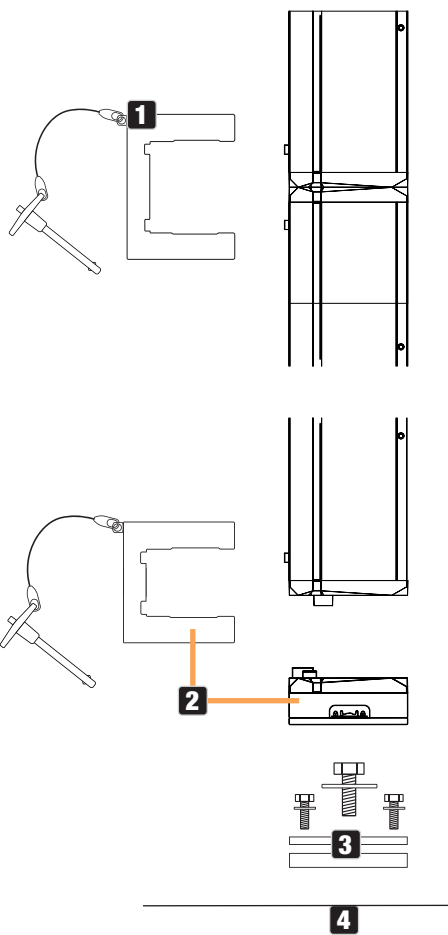
## MONTAJE VERTICAL EN EL SUELO

Para el montaje vertical en el suelo, pueden conectarse entre sí un máximo de dos barras PIXBAR® G2. Para ello debe utilizar los siguientes productos disponibles como accesorios opcionales:

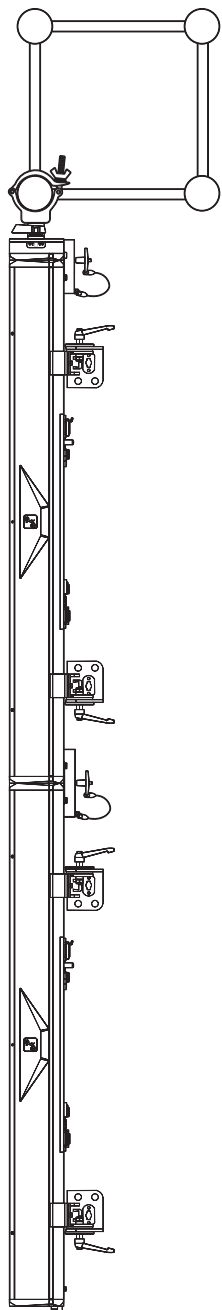
- 1** Un conector (ref. CLPBG2STACKKIT).
- 2** Un accesorio de montaje vertical (ref. CLPBG2VERTIMOUNT).
- 3** Un adaptador M20 (ref. CLPBG2M20ADA).
- 4** Un soporte de acero pesado con rosca M20 y estabilidad suficiente para el peso total.

El usuario deberá evaluar la estabilidad en combinación con el soporte utilizado. No se podrán introducir cargas adicionales.

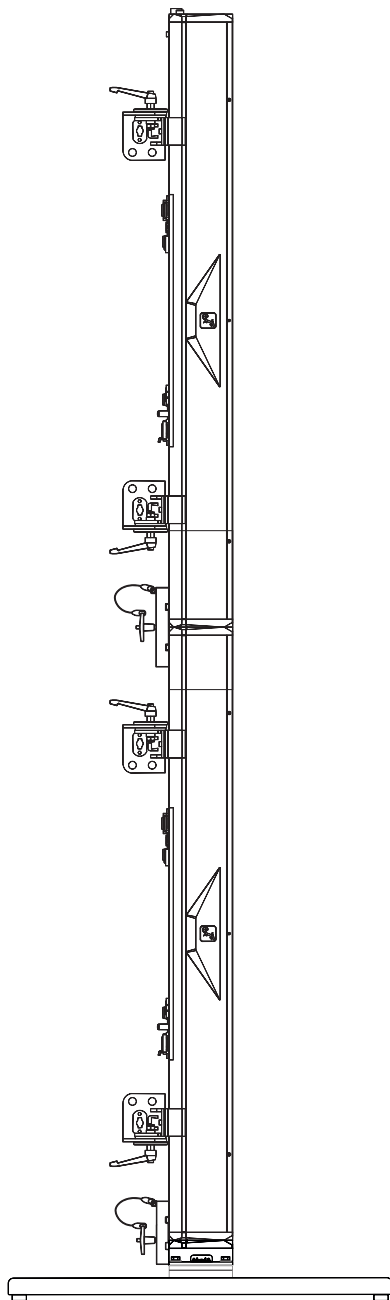
Por motivos estéticos, los pies de montaje pueden plegarse hacia un lado de la carcasa. La terminación de goma evita que se dañe la superficie.



# TRAVESAÑO SUSPENDIDO VERTICALMENTE



# MONTAJE VERTICAL EN EL SUELO



ENGLISH

DEUTSCH

FRANCAIS

ESPAÑOL

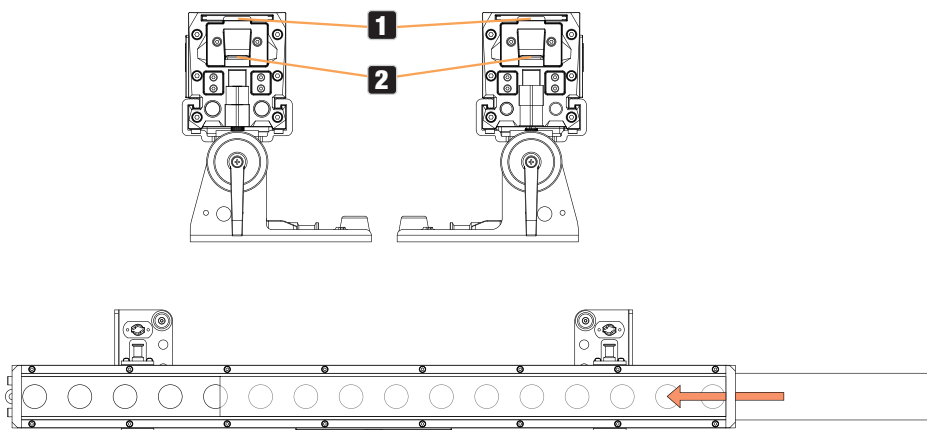
POLSKI

ITALIANO

DMX

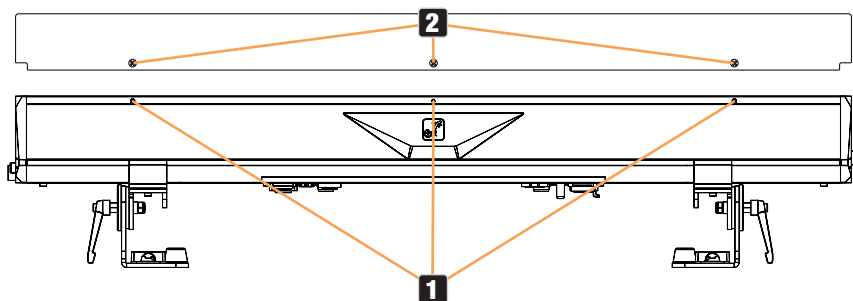
## FILTRO FROST

Con la barra PIXBAR® G2 se suministra un filtro difusor frost estándar. Para introducir el filtro difusor frost en el soporte previsto para ello (1) de la barra, abra el pestillo deslizante situado en un extremo de la barra ((2), deslice hacia abajo el pestillo). Tras introducir el filtro difusor frost en el soporte, vuelva a cerrar el pestillo para evitar que el filtro se caiga.



## PROTECCIÓN ANTIRREFLEJO

Con la barra PIXBAR® G2 se suministra un protector antirreflejo. En el borde superior de la carcasa y a ambos lados de la BARRA PIXBAR® G2 hay tres roscas (1). Monte la pantalla antirreflejo en el lado deseado de la PIXBAR® G2 utilizando los tres tornillos moleteados (2).





## CUIDADO, MANTENIMIENTO Y REPARACIÓN

Para garantizar el buen funcionamiento del equipo a largo plazo, hay que limpiarlo con regularidad y, si es necesario, hacerle las revisiones necesarias. Los requisitos de mantenimiento dependen de la intensidad de uso y del entorno en el que se utilice.

Por lo general, recomendamos una inspección visual antes de cada puesta en marcha. Además, recomendamos llevar a cabo todas las medidas de mantenimiento aplicables que se especifican a continuación una vez cada 500 horas de funcionamiento o, en caso de uso menos intensivo, al cabo de un año como máximo. Las reclamaciones de garantía pueden estar limitadas en caso de defectos debidos a un mantenimiento inadecuado.

### LIMPIEZA (llevada a cabo por el usuario)



**¡ADVERTENCIA!** Antes de realizar cualquier trabajo de mantenimiento, debe desenchufarse la fuente de alimentación y, si es posible, quitar todas las conexiones del equipo.



**¡NOTA!** Un cuidado inadecuado puede deteriorar el equipo e incluso destruirlo.

1. Las superficies de la carcasa deben limpiarse con un paño limpio y húmedo. Asegúrese de que la humedad no pueda penetrar en el equipo.
2. Asegúrese de que la humedad no pueda penetrar en el equipo. Si se utiliza aire comprimido, hay que tener cuidado para evitar que se dañe la unidad (por ejemplo, los ventiladores deben estar tapados, ya que de lo contrario podrían girar excesivamente).
3. Los cables y los contactos de los enchufes deben limpiarse regularmente para eliminar el polvo y la suciedad.
4. En general, no deben utilizarse productos de limpieza ni agentes abrasivos, ya que de lo contrario podría dañarse el acabado de la superficie.
5. Por lo general, los equipos deben guardarse en un lugar seco y protegido del polvo y la suciedad.
6. Para garantizar un funcionamiento correcto y seguro, hay que limpiar con regularidad todas las lentes accesibles o extraíbles y la abertura de emisión de luz.

### MANTENIMIENTO Y REPARACIÓN (solo por personal cualificado)



**¡PELIGRO!** Hay piezas conductoras de tensión en el interior del equipo. Incluso después de desconectar la alimentación eléctrica, puede haber tensión residual en el equipo, por ejemplo, debido a condensadores cargados.



**¡NOTA!** En el equipo no hay componentes que pueda reparar el usuario.



**¡NOTA!** Los trabajos de mantenimiento y reparación solo pueden ser realizados por personal técnico cualificado. En caso de duda, consulte a un taller especializado.



**¡NOTA!** Los trabajos de mantenimiento realizados indebidamente pueden invalidar la garantía.



**¡NOTA!** Si se utilizan sets de conversión o reequipamiento, o accesorios suministrados por el fabricante, asegúrese de respetar el manual de instrucciones adjunto.

## ACCESORIOS OPCIONALES

### CLPBG2FILTER55

Filtro difusor frost de 55°

### CLPBG2FILTER70

Filtro difusor frost de 70°

### CLPBG2FILTER2555

Filtro difusor frost de 25° × 55°

### CLPBG2STACKKIT

Elemento de unión para el acoplamiento mecánico y seguro de dos barras PIXBAR® G2

### CLPBG2VERTIMOUNT

Accesorio de montaje vertical de una PIXBAR® G2 en el soporte de montaje en omega CLOMEGA-BRACKET1 y para el montaje en el adaptador CLPBG2M20ADA

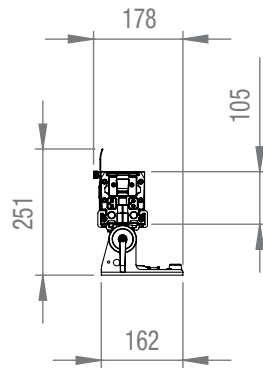
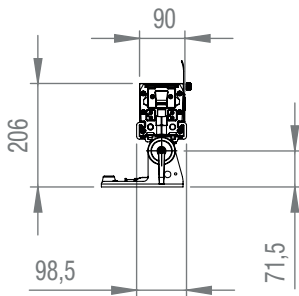
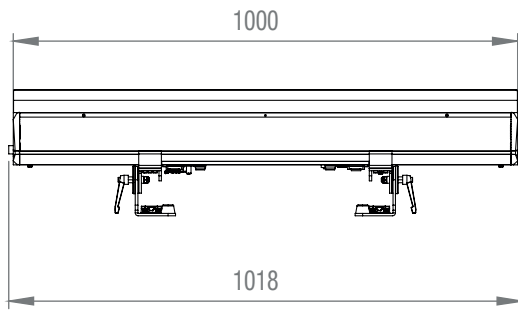
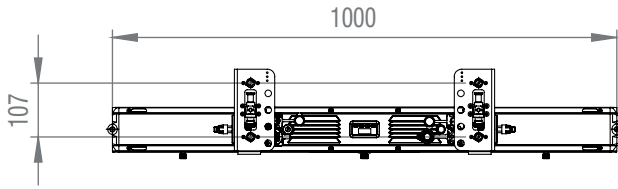
### CLOMEGABRACKET1

Soporte de montaje en omega

### CLPBG2M20ADA

Adaptador para montar una PIXBAR® G2 en un soporte con rosca M20

# DIMENSIONES (mm)



ENGLISH

DEUTSCH

FRANCAIS

ESPAÑOL

POLSKI

ITALIANO

DMX

## CARACTERÍSTICAS TÉCNICAS

Referencia	CLPB400IPG2	CLPB600IPG2
Categoría de producto	Luz LED estática	Luz LED estática
Tipo	Barra LED	Barra LED
Fuente de luz	16 × RGBW 4 en 1	16 × RGBWAUV 6 en 1
Flujo luminoso	6.500 lm a 6.300 K. R: 2.500 lm. G: 3.600 lm. W: 570 lm. W: 5.000 lm	5.300 lm a máx. intensidad. R: 1.580 lm. G: 2.755 lm. B: 427 lm. W: 3.175 lm. A: 1.753. UV: n/d
Lente/óptica	16 lentes acrílicas	16 lentes acrílicas
Frecuencia PWM	650 Hz, 1.530 Hz, 3.600 Hz, 12.000 Hz, 18.900 Hz, 25.000 Hz	650 Hz, 1.530 Hz, 3.600 Hz, 12.000 Hz, 18.900 Hz, 25.000 Hz
Resolución del atenuador	8/16 bits	8/16 bits
Curvas de atenuación	Lineal, exponencial, curva en «S», logarítmica	Lineal, exponencial, curva en «S», logarítmica
Simulación halógena	Sí	Sí
Estrobo	0 Hz a 20 Hz	0 Hz a 20 Hz
CRI:	> 84 a 5.600 K	> 77
Ángulo del haz / ángulo del campo	25°/42°	24°/46°
Color del LED	R: 625 nm. G: 518 nm. B: 545 nm. W: 6.036 K	R: 635 nm. G: 519 nm. B: 448 nm. W: 6.100 K. A: 602 nm, UV: 400 nm
Mezcla de colores	RGBW	RGBWAUV
Modos de control del color	RGBW directo; CCT + tono; HSI; Preajustes de color	RGBWAUV directo; CCT + tono; HSI; Preajustes de color
CCT	2.200 K-8.000 K	2.200 K-8.000 K
Calibración	RAW; de fábrica; inteligente	RAW; de fábrica; inteligente
Protocolos de control	DMX, RDM, inalámbrico, autónomo, maestro-esclavo, EZ-Remote	DMX, RDM, inalámbrico, autónomo, maestro-esclavo, EZ-Remote
Conexiones de datos	Entrada/salida XLR de 5 pines IP65. DMX inalámbrico	Entrada/salida XLR de 5 pines IP65. DMX inalámbrico
Modos DMX	1CH; 3CH; 4CH; 7CH; 8CH; 10CH; 11CH; 16CH; 36CH; 48CH; 64CH; 68CH; D2CH; D4CH; D7CH	1CH; 3CH; 6CH; 9CH; 12CH; 12CH; 13CH; 20CH; 44CH; 48CH; 96CH; 100CH; D2CH; D4CH; D9CH
Funciones DMX:	Atenuador; atenuador fino; funciones estrobo; rojo; rojo fino; verde; verde fino; azul; azul fino; blanco; blanco fino; temperatura de color;	Atenuador; atenuador fino; funciones estrobo; rojo; rojo fino; verde; verde fino; azul; azul fino; blanco; blanco fino; ámbar; ámbar fino; UV; UV fino;

Funciones DMX:	Tono; preajustes de color; fundido de preajustes de color; carpeta de selección; patrón; velocidad del patrón; patrón de transición; patrón de efecto de ejecución; atenuador de fondo; atenuador de fondo fino; funciones estrobo de fondo; rojo de fondo; rojo de fondo fino; verde de fondo; verde de fondo fino; azul de fondo; azul de fondo fino; blanco de fondo; blanco de fondo fino; temperatura de color de fondo; tono de fondo; macro de color de fondo; macro de fondo de fundido; ajustes del equipo; agrupación; retardo DMX (EZchase); píxel: R1, G1, B1, W1... R16, G16, B16, W16	Temperatura de color; tono; preajustes de color; fundido de preajustes de color; carpeta de selección; patrón; velocidad del patrón; transición del patrón; patrón de efecto de ejecución; atenuador de fondo; atenuador de fondo fino; funciones estrobo de fondo; rojo de fondo; rojo de fondo fino; verde de fondo; verde de fondo fino; azul de fondo; azul de fondo fino; blanco de fondo; blanco de fondo fino; ámbar de fondo; ámbar de fondo fino; UV de fondo; UV de fondo fino; temperatura de color de fondo; tono de fondo; macro de color de fondo; macro de fundido de fondo; ajustes del equipo; agrupación; retardo DMX (EZchase); píxel: R1, G1, B1, W1, A1, UV1... R16, G16, B16, W16, A16, Uv16
Funciones RDM:	Funciones RDM estándar de Cameo	Funciones RDM estándar de Cameo
Modo autónomo	Auto; estático; CCT; HSI; preajuste de color; bucle de reproducción; esclavo; temporizador	Auto; estático; CCT; HSI; preajuste de color; bucle de reproducción; esclavo; temporizador
Ajustes del sistema	Inalámbrico; inversión de pantalla; temporizador de apagado de pantalla; bloqueo automático; fallo de señal; curva de atenuación; respuesta de atenuación; desplazamiento al rojo; frecuencia PWM; calibración del color; cargar valores predeterminados; guardar valores predeterminados; servicio técnico	Inalámbrico; inversión de pantalla; temporizador de apagado de pantalla; bloqueo automático; fallo de señal; curva de atenuación; respuesta de atenuación; desplazamiento al rojo; frecuencia PWM; calibración del color; cargar valores predeterminados; guardar valores predeterminados; servicio técnico
Interfaz de usuario	4 botones: MENU; ENTER; UP; DOWN	4 botones: MENU; ENTER; UP; DOWN
Pantalla	OLED de 2 filas	OLED de 2 filas
Grado de protección IP	IP65 para uso en exteriores	IP65 para uso en exteriores
Temperatura ambiente (en funcionamiento)	-20-45 °C (unidad operativa) -10-45 °C (pantalla operativa)	-20-45 °C (unidad operativa) -10-45 °C (pantalla operativa)
Humedad	Hasta el 100 % (sin condensación)	Hasta el 100 % (sin condensación)
Sistema de refrigeración	Convección pasiva, sin ventilador	Convección pasiva, sin ventilador
Nivel de ruido	Sin ruido	Sin ruido

Tensión operativa	100-240 VCA 50/60 Hz	100-240 VCA 50/60 Hz
Corriente máx.	0,77 A a 230 V, 1,62 A a 110 V	0,77 A a 230 V, 1,62 A a 110 V
Corriente de inicio	42 A	39 A
Consumo máx.	180 W a 230/110 V	180 W a 230/110 V
Consumo en espera	9 W	9 W
Conectores de alimentación	Seetronic IP65 entrada y salida	Seetronic IP65 entrada y salida
Conexión en cascada	Hasta 9 equipos a 230 V, hasta 5 equipos a 110 V	Hasta 9 equipos a 230 V, hasta 5 equipos a 110 V
Distancia mínima a la superficie iluminada	0.3 m	0.3 m
Distancia mínima a materiales inflamables normales	0.017 m	0.017 m
Vivienda	Aluminio fundido en cuerda, recubierto de polvo negro	Aluminio fundido en cuerda, recubierto de polvo negro
Dimensiones	1018 mm (1000 mm cuando las unidades están vinculadas) x 206 mm x 178 mm	1018 mm (1000 mm cuando las unidades están vinculadas) x 206 mm x 178 mm
Peso	11,8 kg	11,8 kg
RDM UID	0x08A4004C 0000-FFFF	0x08A4004D 0000-FFFF

## EXPLICACIÓN SOBRE LA CLASE DE PROTECCIÓN IP

1. La clase de protección IP representa exclusivamente la protección contra objetos sólidos, así como contra el agua. No representa una resistencia general a la intemperie, como la protección contra la radiación UV y los efectos de la temperatura, etc.

2. El primer número indica la protección contra polvo, objetos sólidos e impactos:

IP2X	Protección contra cuerpos extraños sólidos con un diámetro $\geq$ 12,5 mm
IP3X	Protección contra cuerpos extraños sólidos con un diámetro $\geq$ 2,5 mm
IP4X	Protección contra cuerpos extraños sólidos con un diámetro $\geq$ 1,0 mm
IP5X	Protegido contra el polvo en cantidades perjudiciales y totalmente protegido contra impactos
IP6X	Estanco al polvo y totalmente protegido contra impactos

3. El segundo número indica la protección contra el agua:

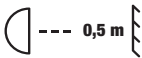
IPX0	Sin protección
IPX1	Protección contra gotas de agua
IPX2	Protección contra la caída de gotas de agua cuando el equipo está inclinado hasta 15°
IPX3	Protección contra el agua rociada hasta 60° respecto a la vertical
IPX4	Protección contra las salpicaduras de agua por todos los lados
IPX5	Protección contra chorros de agua a presión desde cualquier ángulo
IPX6	Protección contra chorros de agua a alta presión
IPX7	Protección contra inmersión temporal

4. Además, a veces son necesarias medidas específicas para cada dispositivo, como cubiertas y tapones, para alcanzar la clase de protección indicada (p. ej., tapas protectoras en las conexiones no utilizadas).



La clase de protección IP del producto se encuentra en los datos técnicos e impresa en el equipo.

## DISTANCIA MÍNIMA A LA SUPERFICIE ILUMINADA



Este símbolo con información de distancia en metros (m) indica la distancia mínima de la lámpara con respecto a la superficie iluminada. En este ejemplo, la distancia es de 0,5 m. Consulte los datos técnicos de este manual y la impresión en la carcasa de la unidad para conocer el valor válido para esta unidad.

## DISTANCIA MÍNIMA A MATERIALES NORMALMENTE INFLAMABLES



Este símbolo con información de distancia en metros (m) indica la distancia mínima del equipo con respecto a materiales normalmente inflamables. En este ejemplo, la distancia es de 0,5 m. Consulte los datos técnicos de este manual para conocer el valor válido para este equipo.

## ELIMINACIÓN



### EMBALAJE:

1. El embalaje puede reciclarse a través de los métodos habituales de eliminación de residuos.
2. Por favor, separe el embalaje de acuerdo con las normas de eliminación de residuos y las normas de reciclaje de su país.



### APARATO:

1. Este aparato está sujeto a la Directiva Europea aplicable a los residuos de aparatos eléctricos y electrónicos, en su versión modificada. (Directiva RAEE sobre residuos de aparatos eléctricos y electrónicos). Los aparatos usados no deben eliminarse con la basura doméstica.



Los aparatos viejos deben eliminarse a través de un servicio de eliminación de residuos autorizado o de una instalación municipal de eliminación de residuos. Respete la normativa vigente en su país.

2. Respete todas las leyes de eliminación aplicables en su país.
3. Como cliente particular, puede obtener información sobre las opciones de eliminación respetuosas con el medioambiente en el establecimiento donde adquirió el producto o de las autoridades regionales competentes.

## **DECLARACIÓN DEL FABRICANTE**

### **Garantía del fabricante y limitación de responsabilidad**

Adam Hall GmbH, Adam-Hall-Str. 1, D-61267 Neu Anspach

Correo electrónico: [Info@adamhall.com](mailto:Info@adamhall.com) / +49 (0)6081 / 9419-0

Consulte nuestras condiciones de garantía y limitaciones de responsabilidad en:

[https://cdn-shop.adamhall.com/media/pdf/Manufacturers-Declarations-CAMEO\\_DE\\_EN\\_ES\\_FR.pdf](https://cdn-shop.adamhall.com/media/pdf/Manufacturers-Declarations-CAMEO_DE_EN_ES_FR.pdf)

Para reparaciones, póngase en contacto con su distribuidor.

### **Conformidad CE**

Adam Hall GmbH declara que este producto es conforme con las siguientes directivas (en la medida en que sean pertinentes):

Directiva de baja tensión (2014/35/UE)

Directiva EMC (2014/30/UE)

RoHS (2011/65/UE)

Directiva RED (2014/53/UE)

### **Declaración de conformidad CE**

Las declaraciones de conformidad para productos sujetos a las directivas de baja tensión, EMC y RoHS pueden solicitarse a [info@adamhall.com](mailto:info@adamhall.com)

Las declaraciones de conformidad de los productos sujetos a la directiva RED pueden descargarse desde [www.adamhall.com/compliance/](http://www.adamhall.com/compliance/).

**Este documento puede estar sujeto a errores tipográficos o de imprenta, así como a modificaciones técnicas o de otro tipo.**



Dokonali Państwo dobrego wyboru!

Urządzenie to zostało opracowane i wyprodukowane zgodnie z najwyższymi standardami jakości, aby zapewnić wiele lat bezproblemowej pracy. Proszę uważnie przeczytać niniejszą instrukcję obsługi, aby móc szybko i optymalnie korzystać z nowego produktu Cameo. Więcej informacji na temat Cameo Light znajdują Państwo na naszej stronie internetowej **CAMEOLIGHT.COM**.

## INFORMACJE NA TEMAT NINIEJSZEJ INSTRUKCJI OBSŁUGI

- Przed rozpoczęciem korzystania z urządzenia należy uważnie przeczytać instrukcje dotyczące bezpieczeństwa oraz całą instrukcję obsługi.
- Należy przestrzegać ostrzeżeń umieszczonych na urządzeniu i w instrukcji obsługi.
- Instrukcję obsługi należy zawsze przechowywać w zasięgu ręki.
- Jeżeli sprzedają Państwo lub przekazują urządzenie, ważne jest, aby dołączyli Państwo również niniejszą instrukcję obsługi, ponieważ stanowi ona integralną część produktu.

## ZAMIERZONE ZASTOSOWANIE

Produkt jest urządzeniem do technologii eventowej!

Ten produkt został opracowany do użytku profesjonalnego w dziedzinie techniki eventowej i nie nadaje się do użytku jako oświetlenie domowe!

Ponadto produkt ten przeznaczony jest wyłącznie dla wykwalifikowanych użytkowników posiadających specjalistyczną wiedzę z zakresu techniki eventowej!

Użytkowanie produktu poza określonymi danymi technicznymi i warunkami eksploatacji jest uważane za niezgodne z przeznaczeniem!

Wyklucza się odpowiedzialność za szkody osobowe i rzeczowe osób trzecich spowodowane niewłaściwym użytkowaniem!

Produkt nie jest odpowiedni dla:

- Stosowania przez osoby (w tym dzieci) o ograniczonych możliwościach fizycznych, sensorycznych lub umysłowych lub z brakiem doświadczenia i wiedzy.
- Dzieci (dzieci należy pouczyć, aby nie bawiły się urządzeniem).

## DEFINICJE I OBJAŚNIENIA SYMBOLI

1. **NIEBEZPIECZEŃSTWO:** Słowo NIEBEZPIECZEŃSTWO, ewentualnie w połączeniu z symbolem, wskazuje na sytuacje lub warunki bezpośrednio zagrażające życiu i zdrowiu.
2. **OSTRZEŻENIE:** Słowo OSTRZEŻENIE, ewentualnie w połączeniu z symbolem, wskazuje na potencjalnie niebezpieczne sytuacje lub warunki dla życia i zdrowia.
3. **PRZESTROGA:** Słowo PRZESTROGA, ewentualnie w połączeniu z symbolem, jest używane do wskazania sytuacji lub warunków, które mogą prowadzić do obrażeń.
4. **UWAGA:** Słowo UWAGA, ewentualnie w połączeniu z symbolem, odnosi się do sytuacji lub stanów, które mogą prowadzić do szkód materialnych i/lub środowiskowych.



Ten symbol wskazuje na zagrożenia, które mogą spowodować porażenie prądem.



Ten symbol oznacza niebezpieczne obszary lub niebezpieczne sytuacje.



Ten symbol oznacza zagrożenia spowodowane gorącymi powierzchniami.



Ten symbol oznacza zagrożenia powodowane przez intensywne źródła światła.



Ten symbol oznacza urządzenie, w którym nie ma części wymienianych przez użytkownika.



Ten symbol oznacza dodatkowe informacje na temat działania produktu.

## INSTRUKCJE BEZPIECZEŃSTWA



### ZAGROŻENIE:

1. Nie otwierać ani nie modyfikować urządzenia.
2. Jeśli urządzenie przestanie działać prawidłowo, jeśli do jego wnętrza dostaną się płyny lub przedmioty lub jeśli zostanie ono uszkodzone w jakikolwiek inny sposób, należy je natychmiast wyłączyć i odłączyć od zasilania. Urządzenie może być naprawiane wyłącznie przez autoryzowanych serwisantów.
3. W przypadku urządzeń klasy ochrony 1 przewód ochronny musi być prawidłowo podłączony. Nigdy nie odłączać przewodu ochronnego. Urządzenia klasy ochrony 2 nie posiadają przewodu ochronnego.
4. Upewnić się, że przewody pod napięciem nie są zagięte lub w inny sposób uszkodzone mechanicznie.
5. Nigdy nie należy omijać bezpiecznika urządzenia.



### OSTRZEŻENIE!

1. Urządzenie nie może być używane, jeśli wykazuje wyraźne oznaki uszkodzenia.
2. Urządzenie może być instalowane wyłącznie w stanie beznapięciowym.
3. Jeśli kabel zasilający urządzenia jest uszkodzony, nie należy używać urządzenia.
4. Kable zasilające podłączone na stałe mogą być wymieniane tylko przez wykwalifikowany personel.



### **UWAGA:**

1. Nie używać urządzenia, jeżeli było narażone na duże wahania temperatury (np. po transporcie). Wilgoć i kondensacja mogą uszkodzić urządzenie. Urządzenie należy włączać dopiero wtedy, gdy osiągnie temperaturę pokojową.
2. Upewnić się, że napięcie i częstotliwość sieci zasilającej odpowiadają wartościom podanym na urządzeniu. Jeżeli urządzenie posiada przełącznik wyboru napięcia, nie należy podłączać urządzenia, dopóki nie zostanie on prawidłowo ustawiony. Stosować tylko odpowiednie kable zasilające.
3. Aby odłączyć urządzenie od sieci na wszystkich biegunach, nie wystarczy nacisnąć włącznik/wyłącznik na urządzeniu.
4. Upewnić się, że zastosowany bezpiecznik odpowiada typowi podanemu na urządzeniu.
5. Upewnić się, że podjęto odpowiednie środki przeciwko przepięciu (np. uderzeniu pioruna).
6. W urządzeniach z przyłączem Power Out należy przestrzegać wartości podanego maksymalnego prądu wyjściowego. Należy upewnić się, że całkowity pobór prądu wszystkich podłączonych urządzeń nie przekracza podanej wartości.
7. Podłączane kable sieciowe należy wymieniać tylko na oryginalne.



### **ZAGROŻENIE:**

1. Niebezpieczeństwo uduszenia! Plastikowe torby i małe części muszą być przechowywane poza zasięgiem osób (w tym dzieci) o ograniczonych zdolnościach fizycznych, sensorycznych lub umysłowych.
2. Niebezpieczeństwo upadku! Proszę upewnić się, że urządzenie jest bezpiecznie zamontowane i nie spadnie. Należy używać wyłącznie odpowiednich stojaków lub uchwytów (szczególnie w przypadku instalacji stałych). Upewnić się, że akcesoria są prawidłowo zamontowane i zabezpieczone. Zapewnić przestrzeganie obowiązujących przepisów bezpieczeństwa.



### **OSTRZEŻENIE!**

1. Urządzenie należy używać tylko zgodnie z przeznaczeniem.
2. Urządzenie należy użytkować wyłącznie z akcesoriami zalecanymi i przeznaczonymi przez producenta.
3. Podczas instalacji należy przestrzegać przepisów bezpieczeństwa obowiązujących w Państwie kraju.
4. Po podłączeniu urządzenia należy sprawdzić wszystkie trasy kabli, aby uniknąć uszkodzeń lub wypadków, np. z powodu ryzyka potknięcia się.
5. Proszę zawsze przestrzegać podanej minimalnej odległości od normalnie łatwopalnych materiałów! Jeśli nie jest to wyraźnie określone, minimalna odległość wynosi 0,3 m.
6. Należy zawsze przestrzegać minimalnej odległości od oświetlanej powierzchni, którą można odczytać na urządzeniu!

**PRZESTROGA!**

1. W przypadku ruchomych elementów, takich jak wsporniki montażowe lub inne ruchome elementy, istnieje możliwość zakleszczenia.
2. W przypadku urządzeń z elementami napędzanymi silnikiem istnieje ryzyko obrażeń spowodowanych ruchem urządzenia. Nagły ruch urządzenia może wywołać reakcje szokowe.
3. Powierzchnia obudowy urządzenia może się bardzo nagrzewać podczas regularnej pracy. Upewnij się, że przypadkowe dotknięcie obudowy nie jest możliwe. Przed demontażem, pracami konserwacyjnymi, ładowaniem itp. należy zawsze odczekać, aż lampa wystarczająco ostygnie.

**UWAGA:**

1. Nie instalować ani nie używać urządzenia w pobliżu grzejników, rejestrów ciepła, pieców lub innych źródeł ciepła. Należy zadbać o to, aby urządzenie było zawsze zainstalowane w taki sposób, aby było wystarczająco chłodzone i nie mogło się przegrzać.
2. W pobliżu urządzenia nie należy umieszczać źródeł zapłonu, takich jak płonące świece.
3. Nie wolno zakrywać otworów wentylacyjnych i blokować wentylatorów.
4. Do transportu należy używać oryginalnego opakowania lub opakowania dostarczonego przez producenta.
5. Unikać wstrząsów i uderzeń w urządzenie.
6. Należy przestrzegać stopnia ochrony IP oraz warunków otoczenia, takich jak temperatura i wilgotność, zgodnie ze specyfikacją.
7. Urządzenia mogą być stale rozwijane. W przypadku rozbieżnych informacji dotyczących warunków pracy, wydajności lub innych właściwości urządzenia pomiędzy instrukcją obsługi a etykietą urządzenia, pierwszeństwo mają zawsze informacje na urządzeniu.
8. Urządzenie nie nadaje się do pracy w klimacie tropikalnym oraz do pracy na wysokości powyżej 2000 m n.p.m.
9. O ile nie jest to wyraźnie określone, urządzenie nie nadaje się do pracy w warunkach morskich.

**UWAGA:**

W przypadku zestawów do przebudowy lub modernizacji, lub akcesoriów dostarczonych przez producenta, należy bezwzględnie przestrzegać dołączonych instrukcji.

**PRZESTROGA! WAŻNE INFORMACJE DOTYCZĄCE PRODUKTÓW OŚWIETLENIO- WYCH!**

1. Nigdy nie należy patrzeć bezpośrednio w wiązkę światła, nawet przez krótki czas.
2. Nigdy nie należy patrzeć w wiązkę światła za pomocą urządzeń optycznych, takich jak szkło powiększające.
3. Efekty stroboskopowe mogą powodować napady padaczkowe u podatnych osób!





4. Te urządzenia oświetleniowe wyposażone zostały w źródła światła zainstalowane na stałe. Nie mogą być one wymieniane przez użytkownika. W przypadku usterki prosimy skontaktować się ze sprzedawcą.



### **TRANSMISJA SYGNAŁU I STEROWANIE PRZEZ RADIO (np. W-DMX lub systemy radiowe audio, Bluetooth):**

Jakość i wydajność transmisji sygnału bezprzewodowego zasadniczo zależy od warunków otoczenia.

Następujące czynniki mogą wpływać na zasięg i stabilność sygnału:

Ekranowanie (np. mur, konstrukcje metalowe, woda)

Duże natężenie ruchu radiowego (np. silne bezprzewodowe sieci LAN)

Zakłócenia

Promieniowanie elektromagnetyczne (np. ekrany wideo LED, ściemniacze)

Wszystkie specyfikacje zasięgu odnoszą się do zastosowania w polu swobodnym z kontaktem wzrokowym i bez zakłóceń!

Działanie systemów przesyłowych podlega oficjalnym regulacjom. Mogą się one różnić w zależności od regionu i muszą zostać sprawdzone przez operatora przed użyciem (np. częstotliwość radiowa i moc transmisji).



**OSTRZEŻENIE:** Urządzenia z bezprzewodową transmisją sygnału nie nadają się do użytku w obszarach wrażliwych, w których działanie fal radiowych może prowadzić do potencjalnych szkodliwych skutków. Obejmują one:

- Szpitale, ośrodki zdrowia lub inne placówki opieki zdrowotnej, które zapewniają leczenie pacjentów przez wykwalifikowany personel i sprzęt.
- Obszary niebezpieczne klasy I, II i III
- Obszary zastrzeżone
- Obiekty wojskowe
- Samoloty lub pojazdy
- Obszary, w których zabronione jest używanie telefonów komórkowych



### **TRANSMISJA PRZEZ W-DMX**

**OSTRZEŻENIE:** Ogólnie rzecz biorąc, bezprzewodowa transmisja DMX nie może być używana do zastosowań związanych z występowaniem czynników bezpieczeństwa, które mogą spowodować obrażenia ciała lub uszkodzenie mienia w przypadku awarii. Dotyczy to w szczególności ruchomych konstrukcji scen lub trawersów, silników/podnośników sterowanych przez DMX lub urządzeń podnoszących do obsługi podnośników platformowych sterowanych przez DMX, systemów hydraulicznych lub porównywalnych ruchomych elementów.



Ponadto, bezprzewodowa transmisja DMX nie może być używana do wyzwalania płomieni lub urządzeń pirotechnicznych, efektów wybuchowych lub do sterowania efektami gazowymi lub płynnymi. Należą do nich armatki CO<sub>2</sub>, miotacze konfetti, efekty wodne itp.



### **UWAGI DOTYCZĄCE PRZEŃOŚNYCH URZĄDZEŃ ZEWNĘTRZNYCH**

1. Działanie tymczasowe! Sprzęt eventowy jest zazwyczaj przeznaczony wyłącznie do pracy tymczasowej.
2. Ciągła eksploatacja lub praca w stałej instalacji - szczególnie na zewnątrz - może pogorszyć działanie, powierzchnie i uszczelnienia oraz przyspieszyć zmęczenie materiału.
3. Uszkodzenie powłoki powierzchniowej może osłabić ochronę antykorozyjną urządzenia. Uszkodzoną powłokę powierzchniową (np. zadrapania) należy niezwłocznie naprawić za pomocą odpowiednich środków.

### **ZAKRES DOSTAWY**

Wyjąć produkt z opakowania i usunąć wszystkie materiały opakowaniowe.

Proszę sprawdzić kompletność i integralność dostawy i niezwłocznie po zakupie powiadomić sprzedawcę, jeśli dostawa nie jest kompletna lub jest uszkodzona.

W zestawie z produktem CLPB400IPG2 znajdują się:

- ▶ Reflektor PIXBAR® 400 IP65 G2 RGBW
- ▶ 2 przesuwne nożyki montażowe ze składanym króćcem montażowym SPIN16® (wstępnie zmontowane)
- ▶ 1 x standardowy frost-filtr
- ▶ 1 x osłona przeciwodblaskowa
- ▶ 1x Przewód zasilający
- ▶ Instrukcja Użytkowania

W zestawie z produktem CLPB600IPG2 znajdują się:

- ▶ 1 x reflektor PIXBAR® 600 IP65 G2 RGBWAUv
- ▶ 2 przesuwne nożyki montażowe ze składanym króćcem montażowym SPIN16® (wstępnie zmontowane)
- ▶ 1 x standardowy frost-filtr
- ▶ 1 x osłona przeciwodblaskowa
- ▶ 1x Przewód zasilający
- ▶ Instrukcja Użytkowania

## WPROWADZENIE

### Reflektor do zastosowań zewnętrznych PIXBAR® 400 IP G2

CLPB400IPG2 z 16 diodami LED RGBW 4w1

### Reflektor do zastosowań zewnętrznych PIXBAR® 600 IP G2

CLPB600IPG2 z 16 diodami LED 6w1 RGBWAUV

#### FUNKCJE KONTROLNE:

##### CLPB400IPG2

1-kanałowy, 3-kanałowy Preset, 4-kanałowy Direct, 7-kanałowy Direct Control, 8-kanałowy 16-bitowy, 10-kanałowy Direct CCT, 11-kanałowy Effect Pattern, 16-kanałowy Wash, 36-kanałowy Pattern, 48-kanałowy Pixel RGB, 64-kanałowy Pixel, 68-kanałowy Pixel Dim, D2-kanałowy, D4-kanałowy Preset i D7-kanałowy Direct DMX Control

##### CLPB600IPG2

1-kanałowy, 3-kanałowy Preset, 6-kanałowy Direct, 9-kanałowy Direct Control, 12-kanałowy 16-bitowy, 12-kanałowy Direct CCT, 13-kanałowy Effect Pattern, 20-kanałowy Wash, 44-kanałowy Pattern, 48-kanałowy Pixel RGB, 96-kanałowy Pixel, 100-kanałowy Pixel Dim, D2-kanałowy, D4-kanałowy Preset i D9-kanałowy Direct DMX Control

RDM

W-DMX™

Tryby Master/slave

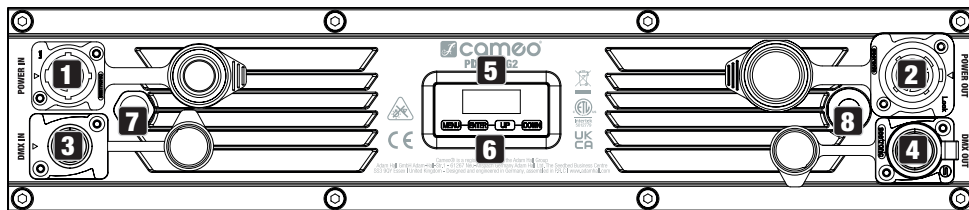
Funkcje w trybie Standalone:

#### CECHY:

- Stopień ochrony IP65
- Chłodzenie konwekcyjne
- Napięcie robocze: 100-240 V AC

Reflektory są wyposażone w standard RDM (zdalne zarządzanie urządzeniami). To zdalne zarządzanie urządzeniami umożliwia sprawdzanie stanu i konfigurację urządzeń końcowych RDM za pośrednictwem kontrolera obsługującego RDM, takiego jak opcjonalnie dostępny Cameo UNICON (numer artykułu CLIREMOTE). Cameo UNICON umożliwia również dostęp do całego menu urządzenia.

## PRZYŁĄCZA, ELEMENTY OBSŁUGI I WSKAŹNIKI



- Modele CLPB400IPG2 i CLPB600IPG2 charakteryzują się następującymi cechami  
identyczne połączenia, elementy obsługi i wyświetlania -

### 1 POWER IN

Gniazdo wejściowe IP65 z gumową zaślepką (kompatybilne z TRUE1). Napięcie robocze 100-240 V AC/50-60 Hz. Podłączenie za pomocą dostarczonego kabla zasilającego (gdy nie jest używany, należy je zawsze zamykać gumową zaślepką).

### 2 POWER OUT

Gniazdo wyjściowe IP65 z gumową zaślepką (kompatybilne z TRUE1). Umożliwia zasilanie innych reflektorów CAMEO. Upewnić się, że całkowity pobór prądu przez wszystkie podłączone urządzenia nie przekracza wartości podanej na urządzeniu w amperach (A) (gdy urządzenie nie jest używane, należy je zawsze zamykać gumową zaślepką).

### 3 DMX IN

Męskie 5-pinowe gniazdo XLR IP65 do podłączenia urządzenia sterującego DMX (np. konsoli DMX, gdy nie jest używane, należy zawsze zamknąć gumową zaślepką).

### 4 DMX OUT

Żeńskie IP65 5-pinowe gniazdo XLR do wysyłania sygnału sterującego DMX (gdy nie jest używane, zawsze należy zamknąć gumową zaślepką).

### 5 WYŚWIETLACZ OLED

Wyświetlacz OLED pokazuje aktualnie aktywowany tryb pracy lub aktualny adres DMX (wyświetlacz główny), pozycje menu w menu oraz wartość liczbową lub stan pracy w niektórych pozycjach menu.

### 6 DOTYKOWE ELEMENTY STERUJĄCE

**MENU** - Proszę nacisnąć MENU, aby uzyskać dostęp do menu głównego. Proszę nacisnąć ponownie lub kilkakrotnie, aby powrócić do ekranu głównego.



**UP i DOWN** - Proszę wybrać pozycje menu w menu głównym (adres DMX, tryb pracy, itp.) oraz w podmenu za pomocą UP i DOWN. Zmiana wartości lub stanu w pozycji menu, np. adresu DMX. - Aby szybko zmienić wartość, taką jak adres początkowy DMX, proszę nacisnąć i przytrzymać UP lub DOWN.

**ENTER** - Proszę nacisnąć ENTER, aby uzyskać dostęp do poziomu menu w celu dokonania zmian wartości lub statusu oraz aby uzyskać dostęp do jednego z podmenu. Proszę potwierdzić zmianę wartości lub statusu, naciskając przycisk ENTER.



#### **UWAGA:**

- Przed przejściem do nawigowania w menu urządzenia należy upewnić się, że panel sterowania jest suchy i czysty, aby nie wpływać negatywnie na jego funkcjonalność.
- Woda na jednostce sterującej może prowadzić do nieprawidłowego działania reflektora, np. podczas pracy na zewnątrz. Dlatego po skonfigurowaniu reflektora należy aktywować funkcję blokady, aby zapobiec nieprawidłowemu działaniu przez wodę (Ustawienia -> Wyświetlacz -> Autoblokada).

## **7 ELEMENT WYRÓWNUJĄCY CIŚNIENIE**

Element wyrównujący ciśnienie zapobiegający kondensacji wewnątrz obudowy. Aby zapewnić prawidłowe działanie, element ten musi być chroniony przed zanieczyszczeniem.

## **8 W-DMX™ ANTENNA**

Antena do sterowania przez W-DMX™.



**UWAGA:** Aby zapewnić ochronę przeciwbryzgową IP65 dla gniazd DMX i sieciowych, specjalne gniazda wejściowe i wyjściowe muszą być prawidłowo uszczelnione specjalnymi zaślepkami IP65 lub należy użyć gumowych zaślepek do uszczelnienia. Po prawidłowym podłączeniu lub po prawidłowym uszczelnieniu za pomocą gumowych zaślepek, gniazda POWER IN i POWER OUT są chronione przed wodą rozpryskową, zgodnie z IP65.

## **OBSŁUGA**

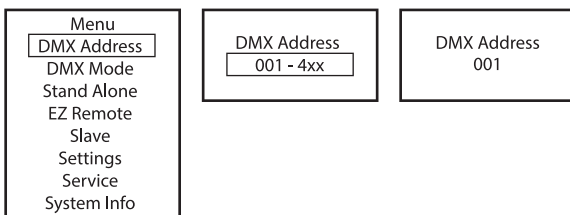
#### **UWAGA:**

- Gdy tylko reflektor zostanie prawidłowo podłączony do zasilania, wyświetlane są kolejno następujące komunikaty: "Update wait ..." (tylko do celów serwisowych), "Welcome to Cameo", nazwa modelu i wersja oprogramowania. Po zakończeniu tego procesu reflektor jest gotowy do pracy i uruchamiany jest wcześniej aktywowany tryb pracy.
- Jeśli przez ok. 30 sekund nie zostaną wprowadzone żadne dane, wyświetlacz automatycznie powróci do ekranu głównego.

- Proszę zwrócić uwagę na główny wyświetlacz w trybach pracy ze sterowaniem zewnętrznym: Gdy tylko sygnał sterujący zostanie przerwany, znaki na wyświetlaczu zaczynają migać; jeśli sygnał sterujący jest ponownie obecny, miganie ustaje.
- Krótkie naciśnięcie przycisku UP na wyświetlaczu głównym powoduje obrócenie wyświetlacza o 180°.

## USTAWIANIE ADRESU STARTOWEGO DMX (DMX Address)

Zaczynając od ekranu głównego, proszę nacisnąć MENU, aby wejść do menu głównego. Teraz proszę użyć UP i DOWN, aby wybrać pozycję menu **DMX Address** i potwierdzić przyciskiem ENTER. Za pomocą przycisków UP i DOWN skonfigurować żądany adres początkowy DMX i nacisnąć ENTER, aby potwierdzić (najwyższa wartość zależy od aktywowanego trybu DMX).



## KONFIGUROWANIE TRYBU DMX (DMX Mode)

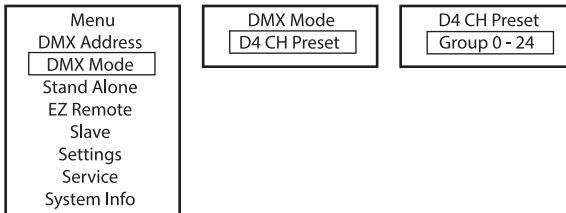
Zaczynając od ekranu głównego, proszę nacisnąć MENU, aby wejść do menu głównego. Teraz proszę użyć UP i DOWN, aby wybrać pozycję menu **DMX Mode** i potwierdzić przyciskiem ENTER. Teraz proszę wybrać żądany tryb DMX za pomocą przycisków UP i DOWN i potwierdzić wybór przyciskiem ENTER. Tryby pracy DMX z kanałem opóźnienia DMX i wyborem grupy (Grupa 0 - 24) są oznaczone literą "D". Tabele z przypisaniami kanałów można znaleźć w niniejszej instrukcji w sekcji KONTROLA DMX.

	CLPB400IPG2	CLPB600IPG2
Menu	DMX Mode	DMX Mode
DMX Address	1 CH DIM UC1	1 CH DIM UC1
DMX Mode	3 CH Preset	3 CH Preset
Stand Alone	4 CH Direct	6 CH Direct
EZ Remote	7 CH Direct Ctrl	9 CH Direct Ctrl
Slave	8 CH 16Bit Dir	12 CH 16Bit Dir
Settings	10 CH Direct CCT	12 CH Direct CCT
Service	11 CH EffectPatt	13 CH EffectPatt
System Info	16 CH Wash	20 CH Wash
	36 CH Pattern	44 CH Pattern
	48 CH Pixel-RGB	48 CH Pixel-RGB
	64 CH Pixel	96 CH Pixel
	68 CH Pixel+D	100 CH Pixel+D
	D2 CH DIM UC1	D2 CH DIM UC1
	D4 CH Preset	D4 CH Preset
	D7 CH Direct	D9 CH Direct

## Tryby DMX z kanałem opóźnienia DMX:

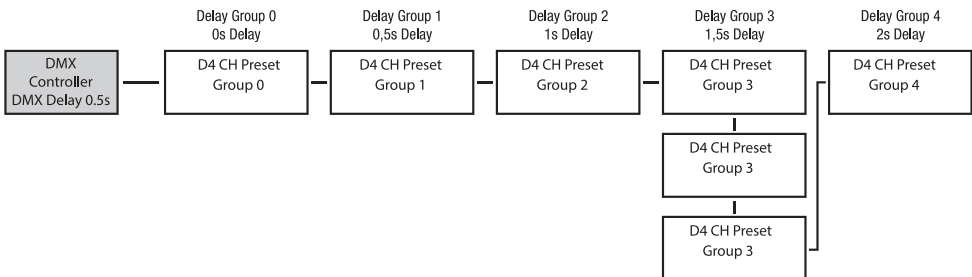
Funkcja opóźnienia DMX jest prostym sposobem na stworzenie efektu bieżącego światła z dużą liczbą reflektorów, z których wszystkie są tego samego modelu i mają tę samą wersję oprogramowania. W przeciwnym razie jest to możliwe tylko przy użyciu odpowiedniego sterownika DMX i czasochłonnego programowania. Wszystkie używane reflektory (te same modele, ta sama wersja oprogramowania) są ustawione na ten sam tryb pracy DMX z kanałem opóźnienia DMX i sterowane za pomocą tego samego adresu startowego DMX.

Ustawianie opóźnienia DMX: Proszę wybrać jeden z trybów pracy DMX z kanałem opóźnienia DMX i potwierdzić wybór (w przykładzie D4 CH Preset). Przypisać reflektory do jednej z maksymalnie 24 grup (plus grupa 0) zgodnie z preferencjami, przy czym do jednej grupy można przypisać kilka reflektorów. Numer grupy jest również współczynnikiem, przez który mnożony jest czas opóźnienia ustawiony w sterowniku DMX. Proszę potwierdzić każdy wpis, naciskając przycisk ENTER.



Czas opóźnienia (czas opóźnienia sygnału DMX) jest ustawiany za pomocą sterownika DMX w oddzielnym kanale opóźnienia DMX odpowiedniego trybu DMX (od 0,0s do 2,0s w krokach co 0,1s).

Przykład konfiguracji:



## TRYB STAND-ALONE - MASTER / ALONE

W trybach autonomicznych Direct LED, Color Preset, CCT, HSI, Auto Program i Play Loop, sygnał sterujący odpowiedniego trybu może być wysyłany do urządzeń podrzędnych przez XLR (DMX OUT) i W-DMX™:

Stand Alone -> Master/Alone -> Master

Jeśli wyjście sygnału sterującego nie jest pożądane, można je dezaktywować:

Stand Alone -> Master/Alone -> Alone

Opóźnienie dla urządzeń podrzędnych można ustawić dla opóźnionego w czasie wyjścia sygnału sterującego trybów autonomicznych Auto Program i Play Loop.

Zaczynając od ekranu głównego, proszę nacisnąć MENU, aby wejść do menu głównego. Teraz proszę wybrać pozycję menu **Stand Alone**, potwierdzić, wybrać **Master/Alone** i ponownie potwierdzić.

Menu	Stand Alone
DMX Address	Master/Alone
DMX Mode	Direct LED
Stand Alone	Color Preset
EZ Remote	CCT
Slave	HSI
Settings	Play Loop
Service	Timer
System Info	Edit User Color
	Edit Loop

Spowoduje to przejście do podmenu umożliwiającego konfigurację elementów podmenu (patrz tabela):

Master	Send to W-DMX	Send to XLR	Sygnał sterujący jest przesyłany przez wyjście DMX OUT
		On	Aktywacja przekazywania sygnału sterującego DMX przez W-DMX
		Off	Dezaktywacja wysyłania sygnału sterującego DMX przez W-DMX
		Force to pair	Parowanie z gotowymi do sparowania urządzeniami W-DMX
		Unlink All	Odłączyć wszystkie połączenia W-DMX
	DMX Delay	Ustawia opóźnienie DMX dla urządzeń podrzędnych: Wyłączone, 0,1s - 2,0s	
Alone		Nie przekazuje sygnału sterującego	

## TRYB STAND-ALONE DIRECT LED MODE

Autonomiczny tryb Direct LED umożliwia ustawienie ściemniacza, stroboskopu, R, G, B i W (CLPB400IPG2) lub R, G, B, W, A i UV (CLPB600IPG2) bezpośrednio na urządzeniu, podobnie jak w przypadku sterownika DMX. W ten sposób można stworzyć indywidualną scenę bez dodatkowego sterownika DMX.

Zaczynając od ekranu głównego, proszę nacisnąć MENU, aby wejść do menu głównego. Proszę zastosować UP i DOWN, aby wybrać **Stand Alone**, proszę potwierdzić ENTER, następnie proszę wybrać **Direct LED** i ponownie potwierdzić ENTER. Teraz proszę wybrać pozycję menu, którą chcą Państwo edytować, potwierdzić wybór, ustawić żądaną wartość i potwierdzić wpis.

	CLPB400IPG2	CLPB600IPG2
Menu DMX Address DMX Mode <b>Stand Alone</b> EZ Remote Slave Settings Service System Info	Stand Alone Master/Alone <b>Direct LED</b> Color Preset CCT HSI Play Loop Timer Edit User Color Edit Loop	Direct LED <b>Dimmer 0% - 100%</b> Red 0% - 100% Green 0% - 100% Blue 0% - 100% White 0% - 100%
		Direct LED <b>Dimmer 0% - 100%</b> Red 0% - 100% Green 0% - 100% Blue 0% - 100% White 0% - 100% Amber 0% - 100% UV 0% - 100%

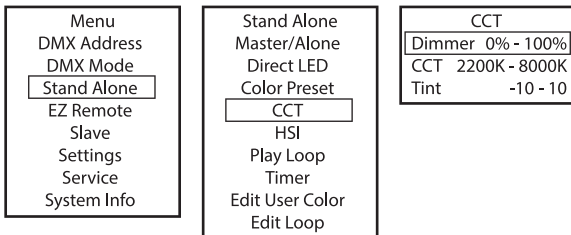
## WSTĘPNE USTAWIENIE KOLORU TRYB AUTONOMICZNY

Dostępnych jest 49 różnych ustawień wstępnych kolorów oraz osiem indywidualnie regulowanych ustawień wstępnych użytkownika (patrz **Edit User Color**). Jasność można regulować bardzo precyzyjnie. Zaczynając od ekranu głównego, proszę nacisnąć MENU, aby wejść do menu głównego. Proszę zastosować UP i DOWN, aby wybrać pozycję menu **Stand Alone**, potwierdzić wybór, a następnie wybrać **Color Preset** i potwierdzić ponownie przyciskiem ENTER. Teraz proszę wybrać **GEL** lub **User Color** i potwierdzić wybór. Można teraz wybrać żądane ustawienie wstępne i potwierdzić wybór. Teraz proszę wybrać **Dimmer** (Jasność), potwierdzić wybór i dokonać ustawień zgodnie z życzeniem. Proszę potwierdzić wpis.

Menu DMX Address DMX Mode <b>Stand Alone</b> EZ Remote Slave Settings Service System Info	Stand Alone Master/Alone Direct LED <b>Color Preset</b> CCT HSI Play Loop Timer Edit User Color Edit Loop	Color Preset <b>Dimmer 0% - 100%</b> GEL User Color
---	--	--

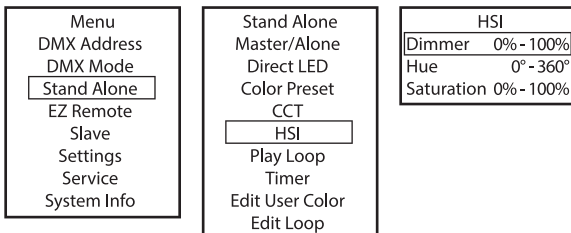
## TRYB PRACY STAND ALONE CCT (Correlated Color Temperature)

W trybie autonomicznym CCT temperaturę barwową można regulować w krokach co 100 K w zakresie od 2200 K do 8000 K, a także odcień i jasność (ściemniacz). Zaczynając od ekranu głównego, proszę nacisnąć MENU, aby wejść do menu głównego. Proszę zastosować UP i DOWN, aby wybrać pozycję menu **Stand Alone**, potwierdzić wybór, a następnie wybrać **CCT** i ponownie potwierdzić przyciskiem ENTER. Teraz proszę wybrać pozycję menu, którą chcą Państwo edytować, potwierdzić wybór i wprowadzić żądane ustawienia. Proszę potwierdzić wpis.



## TRYB STAND ALONE HSI (Hue - Saturation - Intensity)

W trybie autonomicznym HSI odcień, nasycenie i jasność można regulować oddzielnie według potrzeb. Zaczynając od ekranu głównego, proszę nacisnąć MENU, aby wejść do menu głównego. Proszę użyć UP i DOWN, aby wybrać pozycję menu **Stand Alone**, potwierdzić wybór, a następnie wybrać **HSI** i ponownie potwierdzić przyciskiem ENTER. Teraz proszę wybrać pozycję menu, którą chcą Państwo edytować, potwierdzić wybór i wprowadzić żądane ustawienia. Proszę potwierdzić każdy wpis.



## TRYB STAND ALONE PLAY LOOP (8-krokowe sekwencje kolorów 1 - 8)

8 dostępnych pętli jest zaprogramowanych fabrycznie, ale można je dostosować w pozycji menu **Edit Loop**. Jasność można regulować bardzo precyzyjnie. Zaczynając od ekranu głównego, proszę nacisnąć MENU, aby wejść do menu głównego. Za pomocą przycisków UP i DOWN wybrać pozycję menu **Stand Alone**, potwierdzić przyciskiem ENTER, a następnie wybrać pozycję podmenu **Play Loop** i ponownie potwierdzić przyciskiem ENTER. Teraz proszę wybrać pozycję menu, którą chcą Państwo edytować, potwierdzić wybór i wprowadzić żądane ustawienia. Proszę potwierdzić każdy wpis.

Menu
DMX Address
DMX Mode
<b>Stand Alone</b>
EZ Remote
Slave
Settings
Service
System Info

Stand Alone
Master/Alone
Direct LED
Color Preset
CCT
HSI
<b>Play Loop</b>
Timer
Edit User Color
Edit Loop

Play Loop	
Dimmer	0% - 100%
Loop	1 - 8

## FUNKCJA TIMERA

Funkcja timera umożliwia sterowanie czasowe trybami autonomicznymi Direct LED, Colour Preset, CCT i HSI w taki sposób, że czas zanikania (Fade In) można ustawić w zakresie od 0 do 60 minut, czas oczekiwania (dwell time) od 1 do 24 godzin, a czas zanikania od 0 do 60 minut. Po aktywacji funkcji timera, sterowanie timerem zostanie wdrożone przy następnym uruchomieniu systemu. Zaczynając od ekranu głównego, proszę nacisnąć MENU, aby wejść do menu głównego. Proszę wybrać **Stand Alone**, potwierdzić wybór, a następnie wybrać **Timer** i potwierdzić ponownie. Proszę wybrać ustawienie **On** w sekcji **Timer** i potwierdzić. Dla indywidualnych ustawień sterowania timerem proszę wybrać **Fade In**, **Dwell Time** lub **Fade Out** i potwierdzić. Teraz mogą Państwo ustawić odpowiednią wartość. Proszę potwierdzić wszystkie wpisy. Aby wyłączyć funkcję timera, proszę wybrać ustawienie **Off** w sekcji **Timer** i potwierdzić wpis.

Uwaga: Funkcja timera może być aktywowana w trybie master/slave za pośrednictwem kabla i W-DMX™.

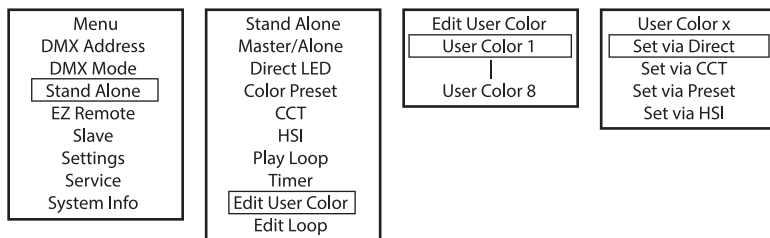
Menu
DMX Address
DMX Mode
<b>Stand Alone</b>
EZ Remote
Slave
Settings
Service
System Info

Stand Alone
Master/Alone
Direct LED
Color Preset
CCT
HSI
Play Loop
<b>Timer</b>
Edit User Color
Edit Loop

Timer	
Timer	ON / OFF
Fade In	0 - 60min
Dwell Time	1 - 24h
Fade Out	0 - 60min

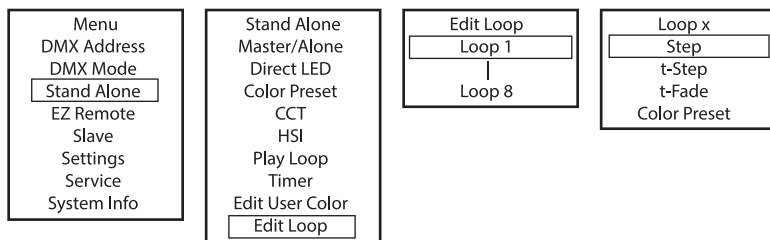
## EDYCJA USER-PRESETS (Edit User Color)

Osiem ustawień użytkownika dostępnych w trybie autonomicznym Colour Preset można edytować indywidualnie. Zaczynając od ekranu głównego, proszę nacisnąć MENU, aby wejść do menu głównego. Za pomocą przycisków i , wybrać pozycję menu **Stand Alone**, potwierdzić przyciskiem ENTER, a następnie wybrać **Edit User Color** i ponownie potwierdzić. Proszę wybrać żądane ustawienie wstępne (User Color 1 - 8) i potwierdzić wybór. Teraz należy zdecydować, w jaki sposób ma zostać utworzony kolor dla ustawienia wstępnego i wybrać jedną z czterech metod: Direct, CCT, Preset i HSI, a następnie potwierdzić wybór. Proszę ustawić żądany kolor zgodnie z instrukcjami dla danego trybu autonomicznego.



## EDYCJA PĘTLI (Edit Loop)

Jasność, czas trwania kroku i czas zanikania można ustawić osobno dla wszystkich ośmiu pętli. Zaczynając od ekranu głównego, proszę nacisnąć MENU, aby wejść do menu głównego. Za pomocą przycisków i , wybrać pozycję menu **Stand Alone**, potwierdzić przyciskiem ENTER, a następnie wybrać opcję **Edit Loop** i ponownie potwierdzić. Teraz proszę wybrać żądaną pętlę do edycji i potwierdzić wybór.



Spowoduje to przejście do podmenu umożliwiającego konfigurację elementów podmenu (patrz tabela): Ustawienia dla każdej pętli są wprowadzane osobno i są zachowywane nawet po ponownym uruchomieniu urządzenia.

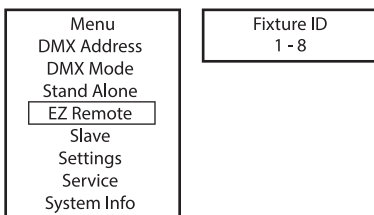
Step	1 - 8	Wybór kroku
T-Step	T-Step 0s - 10s = 0,1s steps 10s - 1min = 1s steps 1min - 20min = 1min steps	Ustawianie czasu trwania kroku dla wybranego kroku



T-Fade	T-Fade 0s - 10s = 0,1s steps 10s - 1min = 1s steps 1min - 20min = 1min steps	Ustawianie czasu zanikania dla wybranego kroku
Color Preset	Step 1 + 2: Dark Magenta - Rose Pink, User Color 1 - 8, Blackout	Wybór wstępnego ustawienia koloru lub zaciemnienia dla wybranego kroku
	Step 3 - 8: Dark Magenta - Rose Pink, User Color 1 - 8, Blackout, Skip Step	Proszę wybrać ustawienie koloru, zaciemnienie lub pominąć wybrany krok

## EZ REMOTE CONTROL VIA CAMEO UNICON (dostępny opcjonalnie)

Zaczynając od ekranu głównego, proszę nacisnąć MENU, aby wejść do menu głównego. Proszę zastosować UP i DOWN, aby wybrać pozycję menu **EZ Remote** i potwierdzić naciskając ENTER. Teraz proszę ustawić żądany identyfikator urządzenia (Fixture ID 1 - 8) i potwierdzić wpis. Proszę połączyć reflektor i UNICON za pomocą kabla DMX, wybrać **DMX Control** w menu UNICON, a następnie **EZ Remote** i wprowadzić ten sam identyfikator urządzenia. Teraz proszę sterować reflektorem za pomocą RGB, GEL, CCT lub HSI. Przypisując różne identyfikatory urządzeń, za pomocą UNICON można sterować oddzielnie maksymalnie ośmioma reflektorami (lub grupami reflektorów).



## TRYB SLAVE

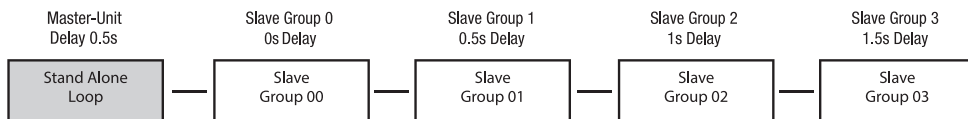
**Tryb Standard Slave:** Zaczynając od głównego wyświetlacza, proszę nacisnąć MENU, aby wejść do menu głównego. Za pomocą przycisków UP i DOWN proszę wybrać punkt menu **Slave**, zatwierdzić przyciskiem ENTER, a następnie wybrać Slave-Grupa 0 (Grupa podrzędna 0) i zatwierdzić przyciskiem ENTER. Podłącz urządzenie podrzędne Slave i nadrzędne Master (ten sam model, ta sama wersja oprogramowania) za pomocą kabla DMX lub W-DMX™ i aktywuj jeden z trybów autonomicznych (Direct LED, Color Preset, CCT, HSI, Auto Program, Play Loop) w urządzeniu nadrzędnym. Jednostka podrzędna będzie teraz podążać za jednostką nadrzędną.

**Rozszerzona obsługa trybu podrzędneho:** Jeśli chcą Państwo sterować jednostkami podrzędnymi za pomocą jednego z trybów stand-alone **Auto Program** lub **Play Loop** w trybie master / slave, sygnał sterujący może być odtwarzany z opóźnieniem czasowym do 24 kroków, opóźnienie jest ustawiane w **Stand Alone** menu **Master/Alone** w jednostce głównej master a współczynnik opóźnienia w menu slave odpowiedniego urządzenia (grupy). Jest to prosty sposób na stworzenie efektu biegnącego światła z dużą liczbą reflektorów, które są tego samego modelu i mają tę samą wersję oprogramowania. W przeciwnym razie jest to możliwe tylko przy użyciu odpowiedniego sterownika DMX i czasochłonnego programowania. Połączyć urządzenia podrzędne i nadrzędne (ten sam model, ta sama wersja oprogramowania) za pomocą kabla DMX lub przez <sup>W-DMX™</sup>

Menu DMX Address DMX Mode Stand Alone EZ Remote Slave Settings Service System Info	Slave Group Receive Mode	Group	0 - 24	Ustawianie grupy slave dla opóźnienia sygnału
		Receive Mode	XLR (permanent aktiv)	
			On	Aktywacja modułu W-DMX
			Off	Dezaktywacja modułu W-DMX
			Wireless	
			Unlink	Odłączenie wszystkich połączeń i ustawienie w trybie gotowości do parowania

Przypisać reflektory do jednej z maksymalnie 24 grup (plus grupa 0) zgodnie z preferencjami, przy czym do jednej grupy można przypisać kilka reflektorów. Numer grupy jest również współczynnikiem, przez który mnożony jest czas opóźnienia ustawiony w urządzeniu głównym.

Przykład konfiguracji:



## USTAWIENIA SYSTEMOWE (Settings)

Zaczynając od ekranu głównego, proszę nacisnąć MENU, aby wejść do menu głównego. Za pomocą przycisków W GÓRĘ i W DÓŁ proszę wybrać punkt menu **Settings** i zatwierdzić go przyciskiem ENTER.

Menu DMX Address DMX Mode Stand Alone EZ Remote Slave Settings Service System Info
--

Spowoduje to przejście do podmenu w celu ustawienia pozycji podmenu (patrz tabela, wybierz za pomocą UP i DOWN, potwierdź za pomocą ENTER, zmień wartość lub status za pomocą UP i DOWN, potwierdź za pomocą ENTER).

Wireless	=	Ustawienia bezprzewodowe	W-DMX State	On	Aktywowająca W-DMX
				Off	W-DMX wyłączony
			Operating Mode	Receive	Tryb W-DMX: Odbiornik
				Transmit	G3 (standard transmisji G3)
					G4s (standard transmisyjny G4s)
			Linking	Unlink	Proszę odłączyć wszystkie jednostki i przygotować je do podłączenia
				Link/Force to pair	Parowanie z urządzeniami W-DMX. W-DMX musi być włączony na wszystkich urządzeniach, a parowanie z nadajnikiem musi zostać zachowane (Reset odbiorczy).
			Signal Routing	Send to XLR	Wysyłanie sygnału przychodzącego do złącza XLR
				Backup by XLR	Korzystanie z sygnału przychodzącego ze złącza XLR w przypadku utraty sygnału W-DMX.
Receive only	Brak połączenia między sygnałem W-DMX a złączami XLR				
Display	=	Ustawienia wyświetlacza	Reverse	On	Wyświetlacz jest obracany o 180° (np. w przypadku montażu podwieszanego)
				Off	Brak rotacji wyświetlacza
			Off Timer	Always On	Stale włączone podświetlenie wyświetlacza
				Off after 20s	Dezaktywacja podświetlenia wyświetlacza po ok. 30 sekundach bezczynności
			Autolock	Off	Funkcja wyłączona
				On after 60s	Elementy sterujące i wyświetlacz zostaną zablokowane po ok. 60 sekundach bez jakiegokolwiek obsługi. Odblokowanie: Nacisnąć jednocześnie UP i DOWN przez ok. 5 sekund
Dimmer	=	Zachowanie podczas ściemniania i częstotliwość PWM	Curve	Linear	Krzywa ściemniania: Natężenie światła wzrasta liniowo wraz z wartością DMX
				Exponential	Krzywa ściemniania: Natężenie światła można regulować precyzyjnie w dolnym zakresie wartości DMX i zgrubnie w górnym zakresie wartości DMX

Dimmer	=	Zachowanie podczas ściemniania i częstotliwość PWM	Curve	Logarithmic	Krzywa ściemniania: Natężenie światła można regulować zgrubnie w dolnym zakresie wartości DMX i precyzyjnie w górnym zakresie wartości DMX
				S-Curve	Intensywność światła może być precyzyjnie regulowana przy niższych i wyższych wartościach DMX i szeroko regulowana przy średnich wartościach DMX
			PWM Frequency	650 Hz, 1530 Hz, 3600 Hz, 12 kHz, 18.9 kHz, 25 kHz	Proszę wybrać częstotliwość PWM LED
			Response	LED	Światło gwałtownie reaguje na zmiany wartości DMX
				Halogen	Światło zachowuje się jak reflektor halogenowy z niewielkimi zmianami jasności
			Redshift	Dim to Warm	dokładnie naśladuje dryf kolorów przy ściemnianiu reflektora halogenowego. Podczas ściemniania reflektora temperatura barwowa zmienia się automatycznie na coraz cieplejsze odcienie bieli i bursztynu (i odwrotnie).
Off	Funkcja wyłączona				
Color Calibration	=	Kalibracja kolorów	RAW	R, G, B i W (CLPB400IPG2) lub R, G, B, W, A i Uv (CLPB600IPG2) z maksymalną wartością 255	
			User	CLPB400IPG2: RGBW CLPB600IPG2: RGB-WAUv	Indywidualna kalibracja kolorów. Ustawienie jasności w trybie krzyżowym z wartościami od 000-255
			Factory		Kalibracja fabryczna (tryb krzyżowy)
			Smart		Łączenie kalibracji fabrycznej i RAW

Signal Fail	=	Stan pracy przy przerwaniu sygnatu sterującego	Hold	Zachowywane jest ostatnie polecenie
			Last Stand Alone	Uruchamiany jest ostatnio aktywowany tryb autonomiczny
			Fade to Black (10s)	10s przejście do zaciemnienia
			Blackout	Natychmiastowe zaciemnienie
			User Color 1	Kolor użytkownika 1 jest aktywny
			Full	Full On
Pixel Mirror	=	Piksel lustrzany	Off	Funkcja wyłączona
			On	Piksele są dublowane
Store Default	=	Przechowywanie wszystkich ustawień systemu w 3 indywidualnych ustawieniach wstępnych	User A	Zapisz za pomocą ENTER
			User B	Zapisz za pomocą ENTER
			User C	Zapisz za pomocą ENTER

## MENU SERWISOWE (Service)

Zaczynając od ekranu głównego, proszę nacisnąć MENU, aby wejść do menu głównego. Proszę wybrać **Service** za pomocą przycisków UP i DOWN i potwierdzić przyciskiem ENTER.

Menu
DMX Address
DMX Mode
Stand Alone
EZ Remote
Slave
Settings
Service
System Info

Informacje o pozycjach podmenu w menu serwisowym i odpowiadających im opcjach można znaleźć w poniższej tabeli (wybór za pomocą UP i DOWN, potwierdzenie za pomocą ENTER, zmiana wartości lub stanu za pomocą UP i DOWN, potwierdzenie za pomocą ENTER).

Load Default	Factory	Reset do ustawień fabrycznych
	User A	Reset do wartości Użytkownika A (Zapisywanie wartości użytkownika: Settings -> Store Default)
	User B	Reset do wartości Użytkownika B (Zapisywanie wartości użytkownika: Settings -> Store Default)
	User C	Reset do wartości Użytkownika C (Zapisywanie wartości użytkownika: Settings -> Store Default)
Reset Service Timer	No	Anulowanie operacji
	Reset now	Serwisowe resetowanie czasu pracy
Password		Wyłącznie do celów serwisowych

### INFORMACJE O SYSTEMIE (System info)

Zaczynając od ekranu głównego, proszę nacisnąć MENU, aby wejść do menu głównego. Proszę wybrać **System Info** używając UP i DOWN i potwierdzić ENTER.

Menu
DMX Address
DMX Mode
Stand Alone
EZ Remote
Slave
Settings
Service
System Info

Informacje o pozycjach podmenu w menu informacji o systemie i odpowiadających im opcjach można znaleźć w poniższej tabeli (wybór za pomocą przycisków UP i DOWN, potwierdzenie przyciskiem ENTER, zmiana wartości lub stanu za pomocą przycisków UP i DOWN, potwierdzenie przyciskiem ENTER).

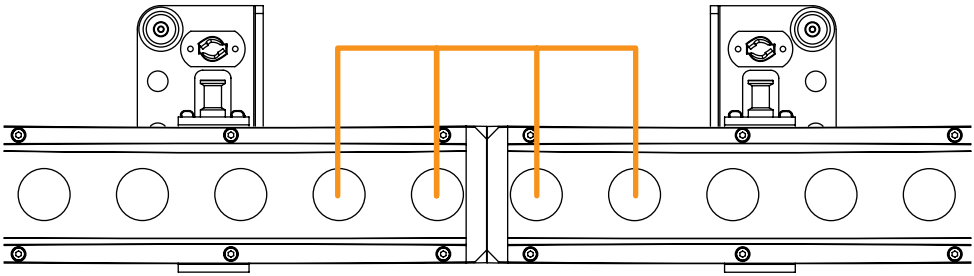
Firmware	DISP	Vx.xx	Wyświetlanie wersji oprogramowania sprzętowego odpowiedniego komponentu
	DRV	Vx.xx	
Temperature	LED	xxx °C / °F	Wyświetlanie temperatury odpowiedniego komponentu
	Temperature Unit	°C °F	Ustawianie jednostki temperatury
Runtime	Total	xxxx h : xx m	Całkowity czas pracy
	Operation	xxxx h : xx m	Czas użytkownika
	LED	xxxx h : xx m	Czas pracy lampy
	Service	xxxx h : xx m	Czas pracy po serwisowym zresetowaniu czasu pracy
RDM-UID	Unikalny identyfikator RDM		

## INSTALACJA



**ZAGROŻENIE** Montaż podwieszany na wysokości wymaga dużego doświadczenia, w tym obliczenia wartości granicznych obciążeń materiałów instalacyjnych oraz regularnej kontroli bezpieczeństwa wszystkich materiałów instalacyjnych i reflektorów. Jeśli nie posiadają Państwo takich kwalifikacji, nie należy podejmować prób samodzielnej instalacji. Proszę zwrócić się do wykwalifikowanego specjalisty. Istnieje ryzyko, że nieprawidłowo zamontowane i zabezpieczone urządzenia mogą się poluzować i spaść. Może to spowodować poważne obrażenia lub śmierć.

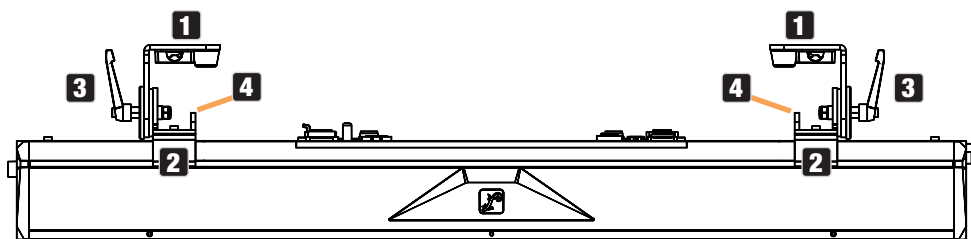
Unikalny mechanizm sprzęgający oznacza, że gdy kilka PIXBAR® ów G2 jest zadokowanych, istnieje również jednolity odstęp między pikselami przy przejściach z jednego do następnego PIXBAR® G2.



Dzięki regulowanemu stojakowi lub nóżkom montażowym, PIXBAR® G2 można ustawić w odpowiedniej pozycji na płaskiej podłodze (np. jako uplight).

## MONTAŻ PIXBAR® NA KRATOWNICY

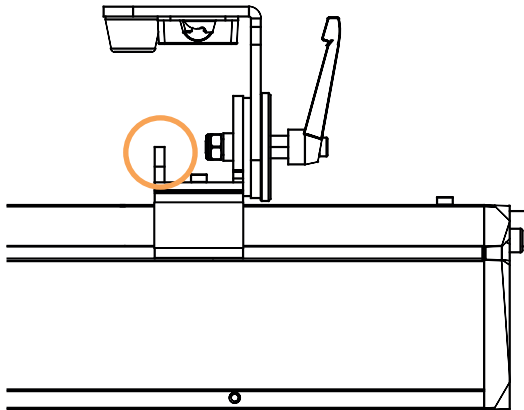
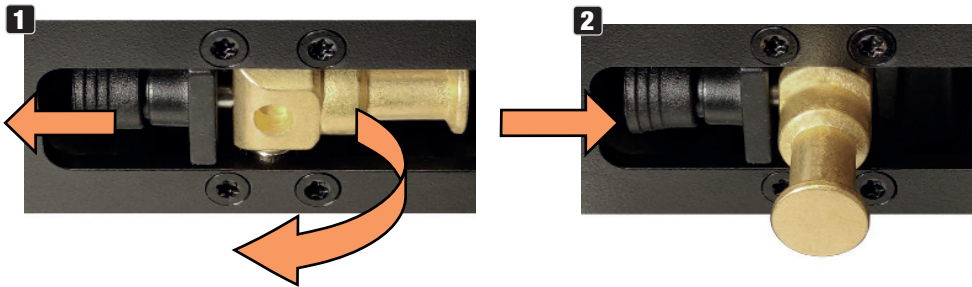
Montaż na kratownicy odbywa się za pomocą opcjonalnie dostępnych zacisków kratownicowych, które są mocowane bezpośrednio do nóżek montażowych (1) lub do opcjonalnie dostępnych wsporników montażowych Omega (numer części CLOMEGABRACKET1). Stopki montażowe można przesunąć na obudowie PIXBAR® G2. W tym celu należy poluzować środkową z pięciu śrub z gniazdem sześciokątnym (2), przesunąć nóżkę do żądanej pozycji i ponownie dokręcić śrubę. Kierunek promieniowania można regulować za pomocą śrub przegubowych (3) na nóżkach montażowych. Upewnić się, że połączenia są szczelne i że PIXBAR® G2 nie może się poluzować. W przypadku montażu PIXBAR® G2 nad głową, należy przymocować go za pomocą odpowiedniej liny zabezpieczającej do jednego z dostarczonych uchwytów zabezpieczających (4). W przypadku montażu kilku zadokowanych PIXBAR® G2 poziomo nad głową, każdy pojedynczy PIXBAR® G2 musi być przymocowany oddzielnie do kratownicy za pomocą nóżek montażowych i zabezpieczony odpowiednią liną zabezpieczającą.





## DO MONTAŻU NALEŻY UŻYĆ KRÓĆCA TV SPIN16

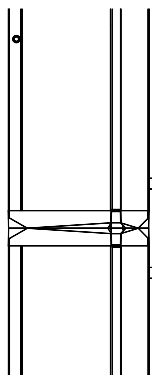
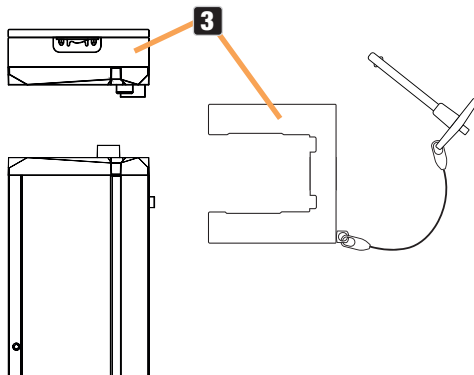
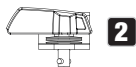
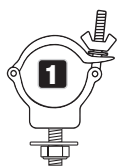
Nóżki montażowe PIXBAR® G2 mają 16 mm króćce TV, które można wysuwać i wsuwać bez użycia narzędzi. Aby rozłożyć czop TV, należy wyciągnąć sprężynowy trzpień blokujący z otworu blokującego w kierunku strzałki (1), złożyć czop TV do przodu i pozwolić, aby trzpień blokujący zatrzasnął się w otworze blokującym przesuniętym o 90° (2). Do montażu należy użyć odpowiednich zacisków poprzecznych. Upewnić się, że połączenia są szczelne, a reflektor nie może się poluzować. Montując reflektor nad głową, należy przymocować go odpowiednią linką zabezpieczającą do jednego z dostarczonych uchwytów zabezpieczających (patrz oznaczenie).



## PIONOWY MONTAŻ WISZĄCY NA DRĄŻKU

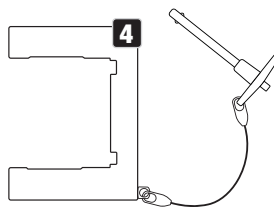
W przypadku pionowego montażu wiszącego można połączyć ze sobą maksymalnie trzy PIXBAR® G2. W tym celu należy użyć następujących opcjonalnie dostępnych produktów:

- 1** Odpowiedni zacisk kratownicy o wystarczającej nośności dla całkowitego obciążenia (np. półzacisk).
- 2** Jeden wspornik Omega (numer artykułu CLOMEGABRACKET1).
- 3** Zestaw z jednym ogranicznikiem (numer artykułu CLPBG2VERTIMOUNT).
- 4** Jeden lub dwa elementy łączące są potrzebne do połączenia dwóch lub trzech PIXBAR® G2 i zabezpieczenia połączenia (numer artykułu CLPBG2STACKKIT).



Oczko zabezpieczające na górnej stopce górnej belki służy jako punkt bezpieczeństwa. Należy upewnić się, że lina zabezpieczająca użyta do zamocowania drążków jest odpowiednia do ich całkowitej wagi.

Ze względów optycznych nóżki montażowe można złożyć z boku obudowy. Gumowy bufor zapobiega uszkodzeniu powierzchni.



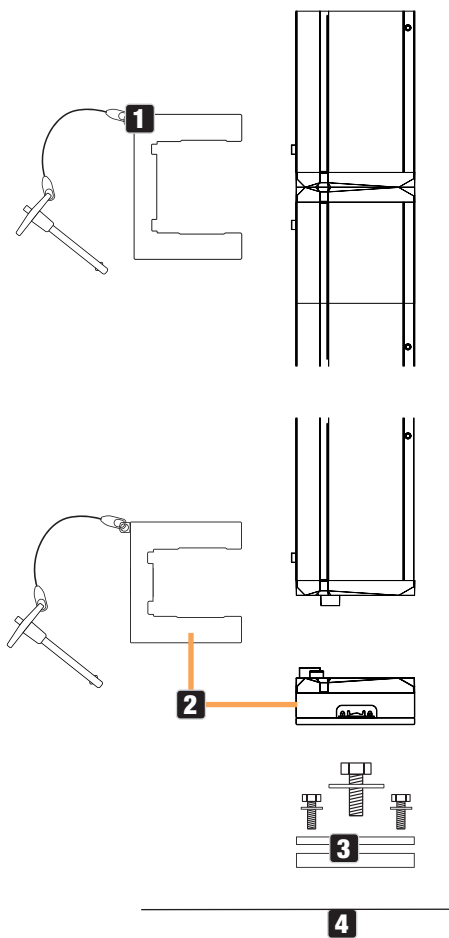
## PIONOWY MONTAŻ PODŁOGOWY

W przypadku pionowego montażu na podłodze można połączyć ze sobą maksymalnie dwa PIXBAR® G2. W tym celu należy użyć następujących opcjonalnie dostępnych produktów:

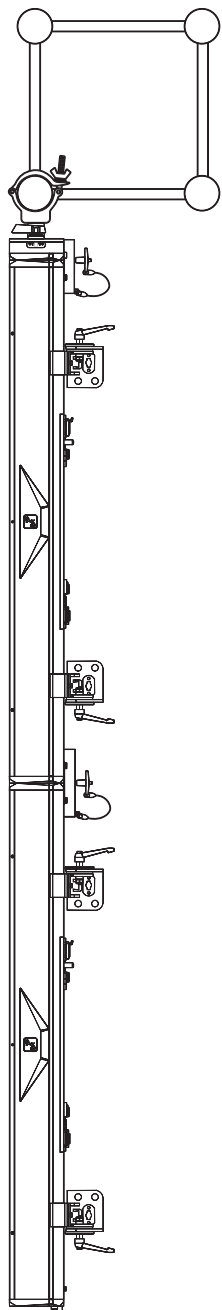
- 1** Jedno złącze (numer artykułu CLPBG2STACKKIT).
- 2** Zestaw z jednym ogranicznikiem (numer artykułu CLPBG2VERTIMOUNT).
- 3** Jeden zestaw połączeniowy M20 (numer artykułu CLPBG2M20ADA).
- 4** Ciężki stalowy stojak z gwintem M20 i wystarczającą stabilnością dla całkowitego obciążenia.

Stabilność w połączeniu z używanym stojakiem musi zostać oceniona przez użytkownika. Nie można wprowadzać żadnych dodatkowych obciążeń.

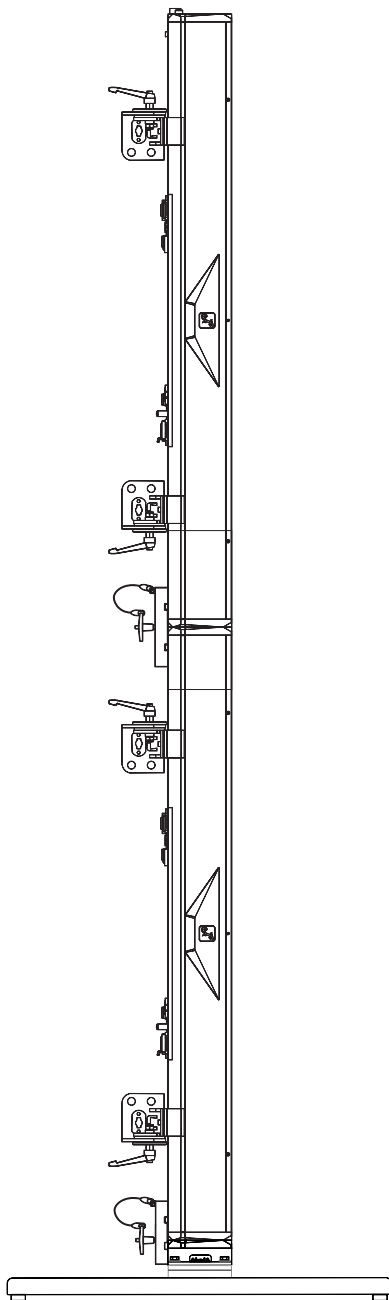
Ze względów optycznych nóżki montażowe można złożyć z boku obudowy. Gumowy bufor zapobiega uszkodzeniu powierzchni.



**POPZECZKA ZAWIESZONA PIONOWO**



**PIONOWY MONTAŻ PODŁOGOWY**



ENGLISH

DEUTSCH

FRANCAIS

ESPAÑOL

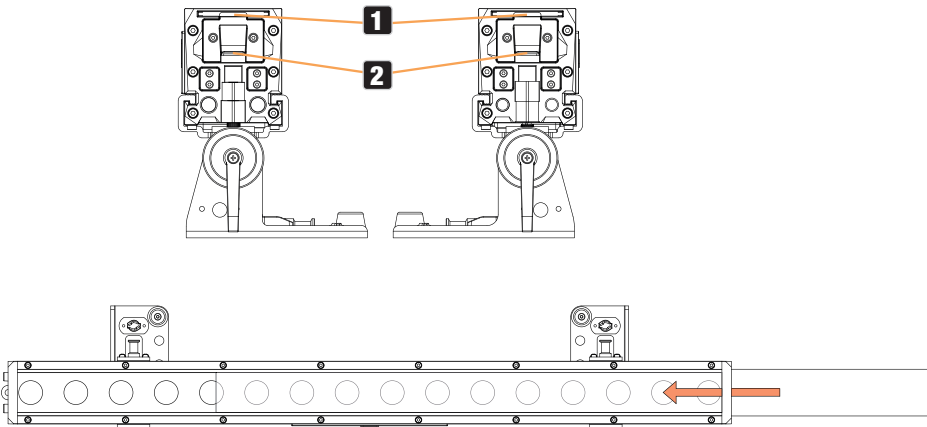
POLSKI

ITALIANO

DMX

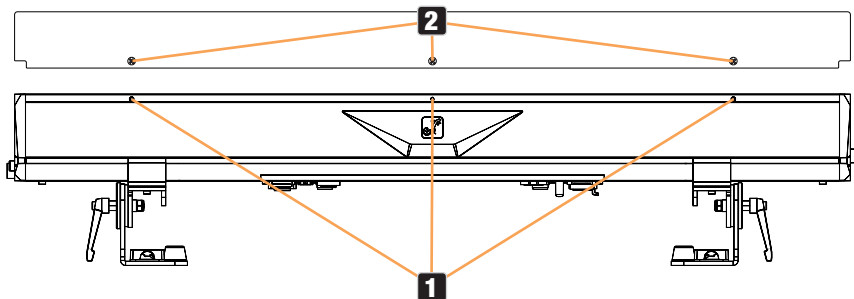
## FILTR FROST

Standardowy frost-filtr jest dołączony do PIXBAR® G2. Aby włożyć frost-filtr do przeznaczonego na niego uchwyty (1) prowadnicy, należy otworzyć zatrzask przesuwny na jednym końcu prowadnicy ((2), przesunąć uchwyt w dół). Po włożeniu frost-filtra do uchwyty należy ponownie zamknąć zatrzask, aby zapobiec wypadnięciu filtra.



## OCHRONA PRZECIWODBLASKOWA

Osłona przeciwodblaskowa jest dołączona do PIXBAR® G2. Po obu stronach PIXBAR® G2 znajdują się trzy gwinty na górnej krawędzi obudowy (1). Zamontować osłonę przeciwodblaskową po wybranej stronie PIXBAR® G2 za pomocą trzech śrub radełkowanych (2).



## PIELĘGNACJA, KONSERWACJA I NAPRAWA

Aby zapewnić długotrwałe i prawidłowe funkcjonowanie urządzenia, należy je regularnie czyścić i w razie potrzeby konserwować. Wymóg konserwacji zależy od intensywności użytkowania i środowiska, w którym jest używany.

Generalnie zalecamy kontrolę wzrokową przed każdym uruchomieniem. Ponadto zalecamy przeprowadzanie wszystkich wymienionych poniżej czynności konserwacyjnych raz na 500 godzin pracy lub, w przypadku mniejszej intensywności użytkowania, najpóźniej po roku. Roszczenia gwarancyjne mogą być ograniczone w przypadku wad wynikających z nieodpowiedniej konserwacji.

### PIELĘGNACJA (przeprowadzana przez użytkownika)



**OSTRZEŻENIE!** Przed przystąpieniem do jakichkolwiek czynności konserwacyjnych należy odłączyć zasilanie i, jeśli to możliwe, wszystkie połączenia urządzenia.



**UWAGA:** Niewłaściwe obchodzenie się z urządzeniem może doprowadzić do jego uszkodzenia, a nawet zniszczenia.

1. Powierzchnie obudowy należy czyścić czystą, wilgotną szmatką. Proszę upewnić się, że do urządzenia nie przedostanie się wilgoć.
2. Wloty i wyloty powietrza muszą być regularnie czyszczone z kurzu i brudu. Jeśli używane jest sprężone powietrze, należy upewnić się, że urządzenie nie zostanie uszkodzone (np. wentylatory muszą być zablokowane, ponieważ w przeciwnym razie mogą się nadmiernie obracać).
3. Należy regularnie czyścić przewody i styki wtyczek oraz usuwać kurz i brud.
4. Zasadniczo nie wolno stosować żadnych środków czyszczących ani ściernych, w przeciwnym razie wykończenie powierzchni może zostać uszkodzone.
5. Urządzenia muszą być przechowywane w suchym miejscu i chronione przed kurzem i brudem.
6. Aby zapewnić prawidłowe i bezpieczne działanie, wszystkie dostępne lub wyjmowane soczewki i otwory emitujące światło muszą być regularnie czyszczone.

### KONSERWACJA I NAPRAWA (tylko przez wykwalifikowany personel)



**NIEBEZPIECZEŃSTWO!** W urządzeniu znajdują się elementy pod napięciem. Nawet po odłączeniu zasilania sieciowego w urządzeniu może nadal występować napięcie szczytkowe, na przykład z powodu naładowanych kondensatorów.



**UWAGA:** W urządzeniu nie ma podzespołów, które mogą być serwisowane przez użytkownika.



**UWAGA:** Prace konserwacyjne i naprawcze mogą być wykonywane wyłącznie przez odpowiednio wykwalifikowany personel specjalistyczny. W razie wątpliwości proszę skonsultować się ze specjalistycznym serwisem.



**UWAGA:** Nieprawidłowo wykonane prace konserwacyjne mogą mieć wpływ na roszczenie gwarancyjne.



**UWAGA:** W przypadku zestawów do konwersji lub modernizacji dostarczonych przez producenta, należy przestrzegać załączonych instrukcji montażu.

## **AKCESORIA OPCJONALNE**

### **CLPBG2FILTER55**

Frost-filtr 55°

### **CLPBG2FILTER70**

Frost-filtr 70°

### **CLPBG2FILTER2555**

Frost-filtr 25° x 55°

### **CLPBG2STACKKIT**

Element łączący do bezpiecznego mechanicznego połączenia dwóch PIXBAR® G2

### **CLPBG2VERTIMOUNT**

Zestaw ograniczników do montażu PIXBAR® G2 na wsporniku montażowym Omega CLOMEGA-BRACKET1 i do montażu na zestawie połączeniowym CLPBG2M20ADA

### **CLOMEGABRACKET1**

Wspornik montażowy Omega

### **CLPBG2M20ADA**

Zestaw połączeniowy do montażu PIXBAR® G2 na statywie z gwintem M20

# WYMIARY (mm)

ENGLISH

DEUTSCH

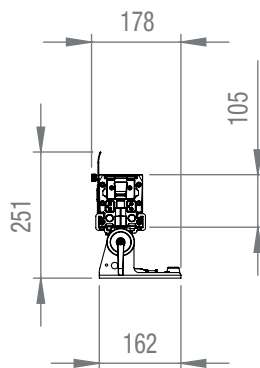
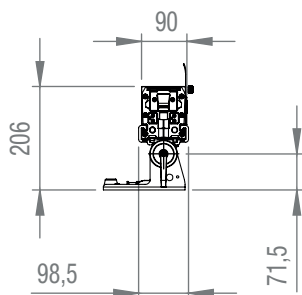
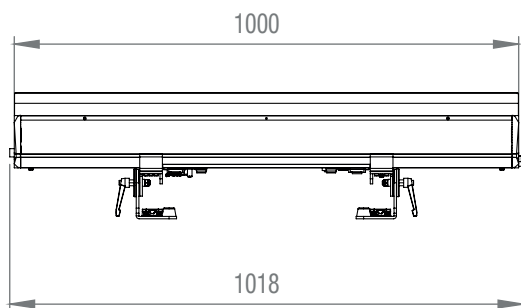
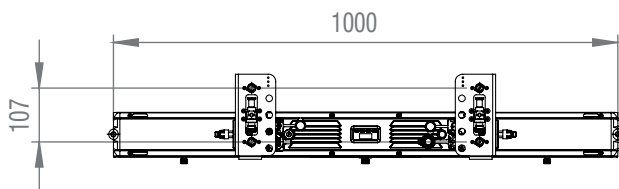
FRANCAIS

ESPAÑOL

POLSKI

ITALIANO

DMX





## DANE TECHNICZNE

Numer artykułu	CLPB400IPG2	CLPB600IPG2
Kategoria produktu	Stacyczna oświetlenie LED	Stacyczna oświetlenie LED
Typ	LED Bar	LED Bar
Źródło światła	16 x 4w1 RGBW	16 x 6w1 RGBWAUv
Strumień świetlny	6500lm @ 6300K; R: 2500lm; G: 3600lm; W: 570lm; W: 5000lm	5300lm przy pełnym włączeniu; R: 1580lm; G: 2755lm; B: 427lm; W: 3175lm; A: 1753; UV: n/a
Obiektyw / układ optyczny	16 x soczewka akrylowa	16 x soczewka akrylowa
Częstotliwość PWM	650 Hz; 1530 Hz; 3600 Hz; 12 000 Hz; 18 900 Hz; 25 000 Hz	650 Hz; 1530 Hz; 3600 Hz; 12 000 Hz; 18 900 Hz; 25 000 Hz
Rozdzielczość ściemniania	8 / 16 bit	8 / 16 bit
Krzywe ściemniania	Liniowa, wykładnicza, krzywa-s, logarytmiczna	Liniowa, wykładnicza, krzywa-s, logarytmiczna
Symulacja halogenu	Tak	Tak
Strobe	0 Hz - 20 Hz	0 Hz - 20 Hz
CRI	>84 @ 5600K	77
Kąt wiązki / kąt pola	25° / 42°	24° / 46°
Kolor LED	R: 625nm; G: 518nm; B 545nm; W: 6036K	R: 635nm; G: 519nm; B: 448nm; W: 6100K; A: 602nm; UV: 400nm
Mieszanie kolorów	RGBW	RGBWAUv
Tryby kontroli koloru	RGBW Direct; CCT + Tint; HSI; Presety kolorów	RGBWAUv Direct; CCT + Tint; HSI; Presety kolorów
CCT	2200K - 8000K	2200K - 8000K
Kalibracja	Raw; fabryczny; inteligentny	Raw; fabryczny; inteligentny
Protokoły kontroli	DMX; RDM; Bezprzewodowy; Autonomiczny; Master-Slave; EZ-Remote	DMX; RDM; Bezprzewodowy; Autonomiczny; Master-Slave; EZ-Remote
Połączenia danych	5-pinowe wejście/wyjście XLR IP65; Bezprzewodowy DMX	5-pinowe wejście/wyjście XLR IP65; Bezprzewodowy DMX
Tryby DMX	1CH; 3CH; 4CH; 7CH; 8CH; 10CH; 11CH; 16CH; 36CH; 48CH; 64CH; 68CH; D2CH; D4CH; D7CH	1CH; 3CH; 6CH; 9CH; 12CH; 12CH; 13CH; 20CH; 44CH; 48CH; 96CH; 100CH; D2CH; D4CH; D9CH
Funkcje DMX	Dimmer; Dimmer fine; Strobe Functions; Red; Red fine; Green; Green fine; Blue; Blue fine; White; White fine; Color Temperature; Tint;	Dimmer; Dimmer fine; Strobe Functions; Red; Red fine; Green; Green fine; Blue; Blue fine; White; White fine; Amber; Amber fine; UV; UV fine;

ENGLISH

DEUTSCH

FRANCAIS

ESPAÑOL

POLSKI

ITALIANO

DMX

ENGLISH		Color Presets; Color Preset Crossfade; Selection Folder; Pattern; Pattern Speed; Pattern Transition; Running Effect Pattern; Background Dimmer; Background Dimmer fine; Background Strobe Functions; Background Red; Background Red fine; Background Green; Background Green fine; Background Blue; Background Blue fine; Background White; Background White fine; Background Color Temperature; Background Tint; Background Color Macro; Background Macro Crossfade; Device Settings; Grouping; DMX-Delay (EZ-Chase); Pixel: R1, G1, B1, W1,... R16, G16, B16, W16	Color Temperature; Tint; Color Presets; Color Preset Crossfade; Selection Folder; Pattern; Pattern Speed; Pattern Transition; Running Effect Pattern; Background Dimmer; Background Dimmer fine; Background Strobe Functions; Background Red; Background Red fine; Background Green; Background Green fine; Background Blue; Background Blue fine; Background White; Background White fine; Background Amber; Background Amber fine; Background UV; Background UV fine; Background Color Temperature; Background Tint; Background Color Macro; Background Macro Crossfade; Device Settings; Grouping; DMX-Delay (EZ-Chase); Pixel: R1, G1, B1, W1, A1, Uv1,... R16, G16, B16, W16, A16, Uv16
DEUTSCH			
FRANCAIS			
ESPAÑOL	Funkcje DMX	Standardowe funkcje RDM Cameo	Standardowe funkcje RDM Cameo
	Funkcje RDM	Auto; Static; CCT; HSI; Colour Preset; Play Loop; Slave; Timer	Auto; Static; CCT; HSI; Colour Preset; Play Loop; Slave; Timer
	Autonomiczny	Bezprzewodowy; Display Reverse; Display off Timer; Autolock; Signal Fail; Dimmer Curve; Dimmer Response; Redshift; PWM Frequency; Color Calibration; Load Default; Store Default; Service	Bezprzewodowy; Display Reverse; Display off Timer; Autolock; Signal Fail; Dimmer Curve; Dimmer Response; Redshift; PWM Frequency; Color Calibration; Load Default; Store Default; Service
	Ustawienia systemu		
POLSKI	Interfejs użytkownika	4 przyciski: MENU; ENTER; UP; DOWN	4 przyciski: MENU; ENTER; UP; DOWN
	Display	2-rzędowy OLED	2-rzędowy OLED
	Stopień ochrony IP	IP65 do użytku na zewnątrz	IP65 do użytku na zewnątrz
ITALIANO	Temperatura znamionowa otoczenia (podczas pracy)	T -20°C - 45°C (urządzenie działa) -10°C - 45°C (wyświetlacz działa)	T -20°C - 45°C (urządzenie działa) -10°C - 45°C (wyświetlacz działa)
	Wilgotność	Do 100% (bez kondensacji)	Do 100% (bez kondensacji)
	System chłodzenia	Konwekcja pasywna, bez wentylatora	Konwekcja pasywna, bez wentylatora
DMX	Poziom hałasu	Bez hałasu	Bez hałasu
	Napięcie robocze	100–240 V AC; 50–60 Hz	100–240 V AC; 50–60 Hz
	Prąd maks.	0.77 A @ 230 V; 1.62 A @ 110 V	0.77 A @ 230 V; 1.62 A @ 110 V
	Prąd rozruchowy	42 A	39 A

Maks. pobór mocy	180 W @ 230 V / 110 V	180 W @ 230 V / 110 V
Moc w trybie gotowości	9 W	9 W
Złącza zasilania	Seetronic IP65 In + Out	Seetronic IP65 In + Out
Łącze zasilania	Do 9 jednostek przy 230 V; do 5 jednostek przy 110 V	Do 9 jednostek przy 230 V; do 5 jednostek przy 110 V
Minimalna odległość od oświetlanej powierzchni	0.3 m	0.3 m
Minimalna odległość od materiałów łatwopalnych	0.017 m	0.017 m
Obudowa	Sznurek odlewany z aluminium, malowany proszkowo na czarno	Sznurek odlewany z aluminium, malowany proszkowo na czarno
Wymiary	1018 mm (1000 mm gdy jednostki są połączone) x 206 mm x 178 mm	1018 mm (1000 mm gdy jednostki są połączone) x 206 mm x 178 mm
Waga	11,8 kg	11,8 kg
RDM UID	0x08A4004C 0000-FFFF	0x08A4004D 0000-FFFF

## WYJAŚNIENIE KLASY OCHRONY IP

1. Stopień ochrony IP odzwierciedla jedynie ochronę przed ciałami stałymi i wodą. Nie opisuje ogólnej odporności na warunki atmosferyczne, takiej jak ochrona przed promieniowaniem UV i temperaturą itp.
2. Pierwsza cyfra identyfikacyjna oznacza ochronę przed pyłem, ciałami stałymi i kontaktem:

IP2X	Ochrona przed stałymi ciałami obcymi o średnicy $\geq 12,5$ mm
IP3X	Ochrona przed stałymi ciałami obcymi o średnicy $\geq 2,5$ mm
IP4X	Ochrona przed stałymi ciałami obcymi o średnicy $\geq 1,0$ mm
IP5X	Chronione przed pyłem w szkodliwych ilościach i całkowicie chronione przed kontaktem
IP6X	Są pyłoszczelne i całkowicie zabezpieczone przed kontaktem

3. Druga cyfra identyfikacyjna oznacza ochronę przed wodą:

IPX0	Brak ochrony
IPX1	Ochrona przed kapiącą wodą
IPX2	Ochrona przed kapiącą wodą, gdy urządzenie jest przechylone do $15^\circ$
IPX3	Ochrona przed spadającym strumieniem wody do $60^\circ$ od pionu
IPX4	Ochrona przed bryzgami wody ze wszystkich stron
IPX5	Ochrona przed strumieniem wody (dysza) pod dowolnym kątem

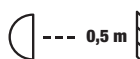
IPX6	Ochrona przed silnymi strumieniami wody
IPX7	Ochrona przed tymczasowym zanurzeniem

4. Ponadto, niektóre środki specyficzne dla urządzenia, takie jak osłony i zaślepki uszczelniające, są niezbędne do osiągnięcia określonej klasy ochrony (np. zaślepki ochronne na nieużywanych połączeniach).



Stopień ochrony IP produktu można znaleźć w danych technicznych i jest wydrukowany na urządzeniu.

## MINIMALNA ODLEGŁOŚĆ OD OŚWIETLANEJ POWIERZCHNI



Ten symbol z informacją o odległości w metrach (m) wskazuje minimalną odległość oprawy od oświetlanej powierzchni. W tym przykładzie odległość wynosi 0,5 m. Wartość obowiązującą dla tego urządzenia można znaleźć w danych technicznych w niniejszej instrukcji oraz w nadruku na obudowie urządzenia!

## MINIMALNA ODLEGŁOŚĆ OD NORMALNIE ŁATWOPALNYCH MATERIAŁÓW



Ten symbol z oznaczeniem odległości w metrach (m) wskazuje minimalną odległość urządzenia od normalnie łatwopalnych materiałów. W tym przykładzie odległość ta wynosi 0,5 m. Aby uzyskać informacje na temat wartości obowiązującej dla tego urządzenia, proszę zapoznać się z danymi technicznymi w niniejszej instrukcji!

## UTYLIZACJA



### OPAKOWANIE:

1. Opakowania można wprowadzić do cyklu recyklingu materiałów do ponownego wykorzystania przy użyciu standardowych metod utylizacji.
2. Prosimy o oddzielenie opakowania zgodnie z przepisami dotyczącymi utylizacji i recyklingu obowiązującymi w danym kraju.



### URZĄDZENIE:

1. Niniejsze urządzenie podlega europejskiej dyrektywie w sprawie zużytego sprzętu elektrycznego i elektronicznego z późniejszymi zmianami. Dyrektywa WEEE Zużyty sprzęt elektryczny i elektroniczny. Stare urządzenia nie należą do odpadów domowych. Stare urządzenie należy zutylizować za pośrednictwem zatwierdzonej firmy utylizacyjnej lub komunalnego zakładu utylizacji. Należy przestrzegać odpowiednich przepisów obowiązujących w danym kraju!
2. Należy przestrzegać wszystkich przepisów dotyczących utylizacji obowiązujących w Państwa kraju.



3. Jako klient prywatny mogą Państwo uzyskać informacje na temat przyjaznych dla środowiska opcji utylizacji od sprzedawcy produktu lub odpowiednich władz regionalnych.

## **DEKLARACJE PRODUCENTA**

### **Gwarancja producenta i ograniczenie odpowiedzialności**

Adam Hall GmbH, Adam-Hall-Str. 1, D-61267 Neu Anspach /

E-mail: [Info@adamhall.com](mailto:Info@adamhall.com) / +49 (0)6081 / 9419-0

Nasze aktualne warunki gwarancji i ograniczenia odpowiedzialności można znaleźć na stronie:

[https://cdn-shop.adamhall.com/media/pdf/Manufacturers-Declarations-CAMEO\\_DE\\_EN\\_ES\\_FR.pdf](https://cdn-shop.adamhall.com/media/pdf/Manufacturers-Declarations-CAMEO_DE_EN_ES_FR.pdf)

W przypadku konieczności skorzystania z usług serwisowych należy skontaktować się ze swoim sprzedawcą.

### **Zgodność z CE**

Adam Hall GmbH niniejszym potwierdza, że niniejszy produkt spełnia następujące wytyczne (w stosownych przypadkach):

Dyrektywa niskonapięciowa (2014/35/EU)

Dyrektywa EMC (2014/30/EU)

RoHS (2011/65/EU)

RED (2014/53/EU)

### **Deklaracja zgodności EC**

Deklaracje zgodności dla produktów podlegających dyrektywie LVD, EMC, RoHS można zamówić na stronie [info@adamhall.com](mailto:info@adamhall.com)

Deklaracje zgodności dla produktów podlegających RED można pobrać ze strony [www.adamhall.com/compliance/](http://www.adamhall.com/compliance/).

**Zastrzega się możliwość wystąpienia błędów w druku i pomyłek, a także zmian technicznych i innych!**

Ottima scelta!

Questo dispositivo è stato sviluppato e prodotto in conformità a elevati standard qualitativi per garantire un funzionamento affidabile per molti anni. Leggere attentamente questo manuale d'istruzioni per utilizzare subito al meglio il nuovo prodotto Cameo Light. Per maggiori informazioni su Cameo Light, consultare il nostro sito web **CAMEOLIGHT.COM**.

## INFORMAZIONI SU QUESTO MANUALE D'ISTRUZIONI

- Prima di mettere in funzione il dispositivo, leggere attentamente le indicazioni sulla sicurezza e tutto il manuale di istruzioni.
- Rispettare le avvertenze riportate sul dispositivo e nel manuale d'istruzioni.
- Tenere sempre a portata di mano il manuale d'istruzioni.
- Se si vende o si cede il dispositivo, aver cura di consegnare anche questo manuale d'istruzioni, che è parte essenziale del prodotto.

## USO CONFORME

Questo prodotto è un dispositivo per la tecnologia per eventi.

È stato sviluppato per l'uso professionale nell'ambito della tecnologia per eventi e non è adatto per l'illuminazione domestica.

Questo prodotto inoltre è destinato esclusivamente a utenti qualificati e con conoscenze specialistiche in materia di tecnologia per eventi.

Utilizzare il prodotto senza rispettare le condizioni di esercizio e i dati tecnici specificati si considera non conforme all'uso previsto.

Si esclude qualsiasi responsabilità per lesioni a persone e danni a cose causati da uso non conforme.

Il prodotto non è adatto a:

- Persone (compresi i bambini) con capacità fisiche, sensoriali o psichiche ridotte o non provviste delle necessarie conoscenze ed esperienze.
- Bambini (ai bambini deve essere insegnato a non giocare con il dispositivo).

## SPIEGAZIONE DI TERMINI E SIMBOLI

1. **PERICOLO:** la parola PERICOLO, eventualmente abbinata a un simbolo, indica situazioni o condizioni immediatamente pericolose per l'incolumità.
2. **AVVERTENZA:** la parola AVVERTENZA, eventualmente abbinata a un simbolo, indica situazioni o condizioni potenzialmente pericolose per l'incolumità.
3. **CAUTELA:** la parola CAUTELA, eventualmente abbinata a un simbolo, indica situazioni o condizioni che possono provocare lesioni.
4. **ATTENZIONE:** la parola ATTENZIONE, eventualmente abbinata a un simbolo, indica situazioni o condizioni che possono provocare danni alle cose e/o all'ambiente.



Questo simbolo indica pericoli che possono causare scosse elettriche.



Questo simbolo indica punti di pericolo o situazioni pericolose.



Questo simbolo indica pericoli dovuti a superfici calde.



Questo simbolo indica pericoli dovuti a sorgenti luminose intense.



Questo simbolo indica un dispositivo che non contiene parti sostituibili dall'utente.



Questo simbolo indica informazioni complementari sull'utilizzo del prodotto.

## INDICAZIONI SULLA SICUREZZA



### PERICOLO

1. Non aprire né modificare il dispositivo.
2. Se il dispositivo non funzionasse più correttamente, vi fossero caduti sopra dei liquidi o degli oggetti, o se fosse stato danneggiato in altro modo, spegnerlo immediatamente e staccarlo dall'alimentazione elettrica. La riparazione del dispositivo deve essere affidata esclusivamente a personale qualificato autorizzato.
3. Nei dispositivi con classe di protezione 1, il conduttore di protezione deve essere collegato correttamente. Non disattivare mai il conduttore di protezione. I dispositivi con classe di protezione 2 non hanno il conduttore di protezione.
4. Assicurarsi che i cavi sotto tensione non siano piegati o riportino altri danni di tipo meccanico.
5. Non bypassare mai il fusibile del dispositivo.



### AVVERTENZA

1. Il dispositivo non deve essere messo in funzione se presenta danni evidenti.
2. Il dispositivo deve essere installato solo in assenza di tensione.
3. Il dispositivo non deve essere messo in funzione se il cavo di alimentazione è danneggiato.
4. I cavi di alimentazione fissi devono essere sostituiti solo da personale qualificato.



### ATTENZIONE

1. Non mettere in funzione il dispositivo se ha subito forti sbalzi di temperatura (ad esempio dopo il trasporto). Umidità e condensa potrebbero danneggiare il dispositivo. Accendere il dispositivo solo dopo che ha raggiunto la temperatura ambiente.
2. Verificare che la tensione e la frequenza della rete elettrica corrispondano ai valori indicati sul dispositivo. Se il dispositivo è dotato di selettore di tensione, collegare il dispositivo solo dopo aver impostato il selettore correttamente. Utilizzare esclusivamente cavi di alimentazione adatti.
3. Per scollegare dalla rete elettrica tutti i poli del dispositivo, non è sufficiente premere l'interruttore di accensione/spengimento del dispositivo.
4. Assicurarsi che il fusibile utilizzato corrisponda al tipo stampato sul dispositivo.
5. Accertarsi che siano state adottate misure adeguate contro la sovratensione (ad es. fulmini).
6. Rispettare la corrente di uscita massima indicata sui dispositivi con collegamento Power Out. Assicurarsi che la potenza assorbita complessivamente da tutti i dispositivi collegati non superi il valore indicato.
7. Sostituire i cavi di alimentazione a innesto esclusivamente con cavi originali.



### PERICOLO

1. Pericolo di soffocamento! I sacchetti di plastica e i componenti minuti devono essere tenuti fuori dalla portata delle persone (inclusi i bambini) con limitate capacità fisiche, sensoriali o mentali.
2. Pericolo di caduta! Verificare che il dispositivo sia montato in modo stabile e non possa cadere. Utilizzare esclusivamente stativi e dispositivi di fissaggio adatti (in particolare nel caso di impianti fissi). Assicurarsi che gli accessori siano installati e fissati correttamente. Aver cura di rispettare le disposizioni di sicurezza in vigore.



### AVVERTENZA

1. Utilizzare il dispositivo unicamente nelle modalità previste.
2. Azionare il dispositivo esclusivamente con gli accessori appositamente consigliati e previsti dal produttore.
3. Durante l'installazione, osservare le normative sulla sicurezza in vigore nel proprio Paese.
4. Una volta collegato il dispositivo, verificare tutti i cavi per evitare danni o incidenti, ad esempio per inciampo.
5. Rispettare assolutamente la distanza minima indicata per i materiali normalmente infiammabili! Salvo diversa ed esplicita indicazione, la distanza minima è 0,3 m.
6. È essenziale rispettare la distanza minima dalla superficie illuminata che può essere letta dal dispositivo.



**CAUTELA**

1. I componenti mobili, come le staffe di montaggio o componenti mobili di altro tipo, comportano il rischio di schiacciamento.
2. Nei dispositivi con componenti azionati a motore sussiste il pericolo di lesioni provocate dal movimento del dispositivo stesso. Movimenti improvvisi del dispositivo possono causare reazioni da shock.
3. Durante il normale funzionamento, la superficie dell'alloggiamento del dispositivo può raggiungere temperature molto elevate. Fare in modo che sia escluso il contatto accidentale con l'alloggiamento. Lasciare sempre raffreddare a sufficienza il dispositivo prima di smontarlo, eseguire lavori di manutenzione, ricaricarlo ecc.

**ATTENZIONE**

1. Non installare né azionare il dispositivo in prossimità di radiatori, accumulatori termici, stufe o altre fonti di calore. Accertarsi che il dispositivo sia sempre installato in modo che venga raffreddato a sufficienza e non possa surriscaldarsi.
2. Non posizionare fonti di accensione, come candele accese, in prossimità del dispositivo.
3. Le fessure di ventilazione non devono essere coperte e le ventole non devono essere bloccate.
4. Per il trasporto utilizzare l'imballaggio originale o imballaggi previsti dal produttore.
5. Non sottoporre il dispositivo a urti o scossoni.
6. Rispettare la classe di protezione IP e le condizioni ambientali, come la temperatura e l'umidità dell'aria, secondo la specifica.
7. I dispositivi possono essere continuamente perfezionati. Se le indicazioni relative alle condizioni di funzionamento, alle prestazioni, o ad altre caratteristiche del dispositivo riportate nel manuale di istruzioni differiscono da quelle apposte sul dispositivo, hanno sempre priorità quelle sul dispositivo.
8. Il dispositivo non è adatto a climi tropicali né all'utilizzo a oltre 2000 m sul livello del mare.
9. Salvo diversa indicazione esplicita, il dispositivo non è idoneo all'utilizzo in ambiente marino.

**NOTA**

Nel caso di set di conversione o retrofitting, oppure di accessori forniti dal produttore, seguire sempre il manuale di istruzioni accluso.

**CAUTELA! INDICAZIONI IMPORTANTI RELATIVE AI PRODOTTI DI ILLUMINAZIONE!**

1. Non fissare mai direttamente la sorgente luminosa, nemmeno per brevi istanti.
2. Non guardare mai la sorgente luminosa con dispositivi ottici come le lenti d'ingrandimento.
3. In alcuni casi, gli effetti stroboscopici possono causare attacchi epilettici alle persone sensibili!





4. In queste lampade sono installate lampadine fisse che non devono essere sostituite dall'utente. In caso di malfunzionamento, rivolgersi al proprio distributore di fiducia.



### **TRASMISSIONE E CONTROLLO DEL SEGNALE VIA RADIO (ad esempio W-DMX o sistemi radio audio, Bluetooth):**

La qualità e la performance della trasmissione wireless del segnale in generale dipendono dalle condizioni ambientali.

Influiscono sulla portata e sulla stabilità del segnale, ad esempio:

Schermature (muri, strutture in metallo, acqua)

Elevata presenza di onde radio (ad es. reti W-LAN potenti)

Interferenze

Radiazione elettromagnetica (ad es. videowall a LED, dimmer)

Tutti i dati relativi alla portata si riferiscono all'applicazione in campo libero con contatto visivo tra trasmettitore e ricevitore senza interferenze.

L'utilizzo di trasmettitori è soggetto a disposizioni normative che possono variare tra una regione e l'altra e devono essere verificate dall'operatore prima della messa in funzione (ad es. frequenza radio e potenza di trasmissione).



**AVVERTENZA:** I dispositivi con trasmissione wireless del segnale non sono idonei per l'impiego in aree sensibili dove il funzionamento via radio può provocare interazioni.

Sono, ad esempio:

- Ospedali, centri sanitari o altre strutture sanitarie che si occupano del trattamento dei pazienti con personale e attrezzature specializzati.
- Ex aree pericolose di classe I, II e III
- Aree riservate
- Strutture militari
- Aerei o veicoli
- Aree in cui è vietato l'uso di telefoni cellulari



### **TRASFERIMENTO DEL SEGNALE TRAMITE W-DMX**

**AVVERTENZA:** In linea generale, la trasmissione wireless DMX non deve essere adottata per applicazioni con fattori rilevanti per la sicurezza, che in caso di guasto possono causare danni a persone o cose.

Ciò vale in particolare per le strutture mobili di scenografie o tralacci, per motori e sollevatori controllati via DMX, per l'azionamento di ascensori da palcoscenico via DMX, di sistemi idraulici o componenti mobili analoghi.

La trasmissione wireless DMX, inoltre, non deve essere utilizzata per attivare dispositivi a fiamma o pirotecnici, per effetti indotti da esplosione, o per controllare gli effetti di gas o liquidi. Rientrano nei dispositivi di questa categoria i cannoni CO<sub>2</sub>, gli sparacoriandoli, gli effetti ad acqua e simili.



## AVVERTENZE PER DISPOSITIVI PORTATILI PER ESTERNI

1. Utilizzo temporaneo! Le attrezzature per eventi sono concepite esclusivamente per un uso provvisorio.
2. L'uso continuo o l'installazione permanente, in particolare in esterni, può pregiudicare il funzionamento, le superfici e le guarnizioni e accelerare la fatica del materiale.
3. Eventuali danni al rivestimento delle superfici possono compromettere la protezione anticorrosione del dispositivo. Un rivestimento superficiale danneggiato (ad es. da graffi) deve essere prontamente ripristinato con misure adeguate.

## DOTAZIONE

Estrarre il prodotto dalla confezione e rimuovere tutto il materiale di imballaggio. Verificare la completezza e l'integrità della consegna e informare il proprio distributore di fiducia immediatamente dopo l'acquisto in caso di consegna incompleta o danneggiata.

In dotazione con il prodotto CLPB400IPG2 viene fornito:

- ▶ Faro PIXBAR® 400 IP65 G2 RGBW
- ▶ 2 piedini di montaggio scorrevoli con perno di montaggio pieghevole SPIN16® (preassemblati)
- ▶ 1 filtro frost standard
- ▶ 1 protezione antiriflesso
- ▶ 1 cavo di alimentazione
- ▶ Manuale d'istruzioni

In dotazione con il prodotto CLPB600IPG2 viene fornito:

- ▶ 1 faro PIXBAR® 600 IP65 G2 RGBWAUV
- ▶ 2 piedini di montaggio scorrevoli con perno di montaggio pieghevole SPIN16® (preassemblati)
- ▶ 1 filtro frost standard
- ▶ 1 protezione antiriflesso
- ▶ 1 cavo di alimentazione
- ▶ Manuale d'istruzioni

## INTRODUZIONE

### PIXBAR® Faro da esterni 400 IP G2

CLPB400IPG2 con 16 LED RGBW 4in1

### PIXBAR® Faro da esterni 600 IP G2

CLPB600IPG2 con 16 LED RGBWAUV 6in1

**FUNZIONI DI COMANDO****CLPB400IPG2**

1 - Canale, 3 - Canale Preset, 4 - Canale Direct, 7 - Canale Direct Control, 8 - Canale 16 bit, 10 - Canale Direct CCT, 11 - Canale Effect Pattern, 16 - Canale Wash, 36 - Canale Pattern, 48 - Canale Pixel RGB, 64 - Canale Pixel, 68 - Canale Pixel Dim, D2 - Canale, D4 - Canale Preset e D7 - Canale Direct Controllo DMX

**CLPB600IPG2**

1 - Canale, 3 - Canale Preset, 6 - Canale Direct, 9 - Canale Direct Control, 12 - Canale 16 Bit, 12 - Canale Direct CCT, 13 - Canale Effect Pattern, 20 - Canale Wash, 44 - Canale Pattern, 48 - Canale Pixel RGB, 96 - Canale Pixel, 100 - Canale Pixel Dim, D2 - Canale, D4 - Canale Preset e D9 - Canale Direct Controllo DMX

RDM

W-DMX™

Funzionamento master/slave

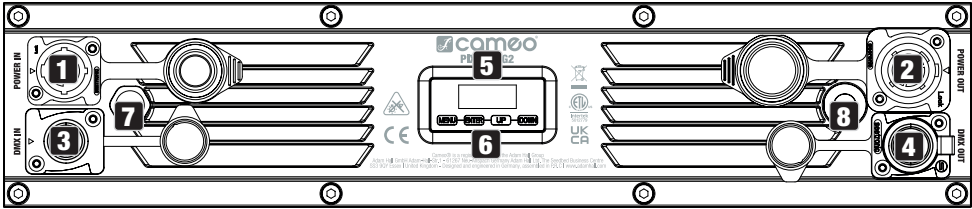
Funzioni stand-alone

**CARATTERISTICHE:**

- Classe di protezione IP65
- Raffreddamento a convezione
- Tensione di esercizio 100-240 V CA

I fari si avvalgono dello standard RDM (Remote Device Management). Questa gestione a distanza dei dispositivi consente di consultare lo stato e di configurare i terminali RDM tramite un controller compatibile con RDM, come il Cameo UNICON acquistabile come optional (codice articolo CLIREMOT-E). Cameo UNICON consente inoltre di accedere a tutto il menu del faro.

## CONNESSIONI, ELEMENTI DI COMANDO E INDICATORI



- I modelli CLPB400IPG2 e CLPB600IPG2 hanno connessioni, comandi e indicatori identici -

### **1** POWER IN

Preso di rete IP65 con tappo ermetico in gomma (compatibile con TRUE1). Tensione di esercizio 100-240 V AC, 50/60 Hz. Collegamento tramite cavo di alimentazione in dotazione (se non si utilizza, chiudere sempre con il tappo ermetico in gomma).

### **2** POWER OUT

Preso di uscita di rete IP65 con tappo ermetico in gomma (compatibile con TRUE1). Serve per l'alimentazione elettrica di altri fari CAMEO. Verificare che la potenza assorbita complessiva di tutti i dispositivi collegati non superi il valore indicato in ampere (A) sul dispositivo (se non si utilizza, chiudere sempre con il tappo ermetico in gomma).

### **3** DMX IN

Preso XLR a 5 poli maschio IP65 per il collegamento di un dispositivo di controllo DMX (ad esempio mixer DMX; se non si utilizza, chiudere sempre con il tappo ermetico in gomma).

### **4** DMX OUT

Preso XLR a 5 poli femmina IP65 per l'inoltro del segnale di controllo DMX (se non si utilizza, chiudere sempre con il tappo ermetico in gomma).

### **5** DISPLAY OLED

Il display OLED mostra la modalità o l'indirizzo DMX in uso (schermata principale), le voci di menu e il valore numerico oppure lo stato operativo in determinate voci di menu.

### **6** TASTI A SFIORAMENTO

**MENU** - Premendo MENU si accede al menu principale. Premendo di nuovo o più volte questo tasto si apre nuovamente la schermata principale.

**UP e DOWN** - utilizzare le frecce UP e DOWN per selezionare le singole voci del menu principale (indirizzo DMX, modalità ecc.) e dei sottomenu. Servono per modificare il valore o lo stato di una voce di menu, ad esempio l'indirizzo DMX. Per modificare rapidamente un valore (ad es. l'indirizzo di avvio DMX), tenere premuto UP o DOWN.

**ENTER** - premendo il tasto ENTER si accede al livello di menu in cui è possibile eseguire le modifiche di valore e stato e passare a uno dei sottomenu. Confermare le modifiche dei valori o dello stato premendo ENTER.



### AVVERTENZE

- Prima di entrare nel menu del dispositivo, verificare che il pannello di controllo sia asciutto e pulito per non comprometterne la funzionalità.
- L'eventuale presenza di acqua sulla centralina, ad esempio durante l'uso in esterni, può causare il cattivo funzionamento del faro. Dopo aver configurato il faro, attivare perciò la funzione di blocco per evitare che l'acqua ne provochi il cattivo funzionamento (Settings -> Display -> Autolock).

## 7 ELEMENTO DI COMPENSAZIONE DELLA PRESSIONE

Elemento di compensazione della pressione per evitare la formazione di acqua di condensa all'interno della cassa. Per assicurare il funzionamento corretto, l'elemento deve essere protetto dallo sporco.

## 8 ANTENNA W-DMX™

Antenna per il controllo via W-DMX™.



**ATTENZIONE:** per garantire la protezione contro gli spruzzi delle prese DMX e di rete in conformità alla classe di protezione IP65, è necessario connettere correttamente le speciali prese DMX di ingresso e uscita agli specifici connettori IP65, oppure chiuderle con gli appositi tappi ermetici in gomma. Una volta correttamente collegate, anche le prese di rete POWER IN di ingresso e POWER OUT sono protette dagli spruzzi secondo IP65; lo stesso dicasi quando i tappi in gomma sono correttamente applicati.

## UTILIZZO

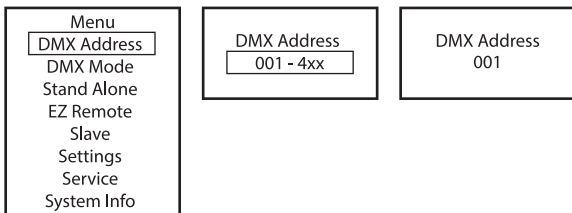
### OSSERVAZIONI

- Non appena il faro è correttamente allacciato alla rete elettrica, durante il processo di avvio sul display appaiono in successione i messaggi: "Update wait..." (solo per manutenzione), "Welcome to Cameo", l'indicazione del modello e la versione del software. Al termine della procedura, il faro è pronto per essere utilizzato e si avvia la modalità operativa attivata in precedenza.
- Se entro circa 30 secondi non si effettuano inserimenti, sul display appare automaticamente la schermata principale.

- Nota sulla schermata principale nelle modalità operative con controllo esterno: non appena il segnale di comando si interrompe, i caratteri del display iniziano a lampeggiare. Il lampeggiamento cessa quando il segnale di controllo si ripristina.
- Dalla schermata principale, premendo brevemente il tasto UP, la visualizzazione del display può essere ruotata di 180°.

## IMPOSTAZIONE DELL'INDIRIZZO DI AVVIO (DMX Address)

Premendo MENU nella schermata principale si accede al menu principale. Con i tasti UP e DOWN, selezionare la voce di menu **DMX Address** e confermare con ENTER. Impostare l'indirizzo di avvio DMX desiderato con i tasti freccia UP e DOWN e confermare l'inserimento con ENTER (il valore più alto dipende dalla modalità DMX attualmente impostata).



## IMPOSTAZIONE DELLA MODALITÀ DMX (DMX Mode)

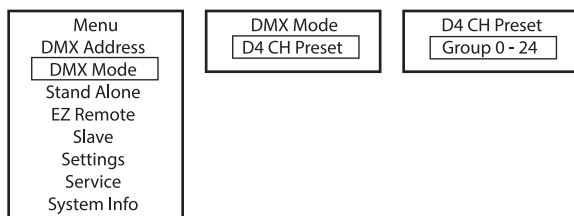
Premendo MENU nella schermata principale si accede al menu principale. Con i tasti UP e DOWN, selezionare la voce di menu **DMX Mode** e confermare con ENTER. Sempre con i tasti freccia UP e DOWN, selezionare la modalità DMX desiderata e confermare con ENTER. Le modalità DMX con canale DMX Delay (di ritardo) e selezione del gruppo (Group 0-24) sono contrassegnate da "D". Le tabelle DMX con le assegnazioni dei canali sono riportate più avanti in questo manuale, alla sezione CONTROLLO DMX.

	CLPB400IPG2	CLPB600IPG2
Menu	DMX Mode	DMX Mode
DMX Address	1 CH DIM UC1	1 CH DIM UC1
DMX Mode	3 CH Preset	3 CH Preset
Stand Alone	4 CH Direct	6 CH Direct
EZ Remote	7 CH Direct Ctrl	9 CH Direct Ctrl
Slave	8 CH 16Bit Dir	12 CH 16Bit Dir
Settings	10 CH Direct CCT	12 CH Direct CCT
Service	11 CH EffectPatt	13 CH EffectPatt
System Info	16 CH Wash	20 CH Wash
	36 CH Pattern	44 CH Pattern
	48 CH Pixel-RGB	48 CH Pixel-RGB
	64 CH Pixel	96 CH Pixel
	68 CH Pixel+D	100 CH Pixel+D
	D2 CH DIM UC1	D2 CH DIM UC1
	D4 CH Preset	D4 CH Preset
	D7 CH Direct	D9 CH Direct

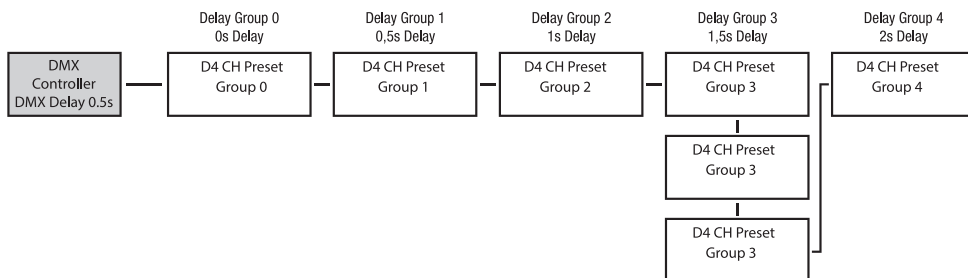
## Modalità DMX con canale DMX Delay

La funzione DMX Delay consente di creare con facilità dei giochi di luce a effetto chase utilizzando un numero a piacere di fari dello stesso modello e della stessa versione software. Questo effetto altrimenti si potrebbe ottenere solo con un controller DMX idoneo e una programmazione complessa. Tutti i fari utilizzati (stesso modello, stessa versione software) sono impostati sulla stessa modalità DMX con canale DMX Delay e vengono controllati dallo stesso indirizzo di avvio DMX.

Impostazione del ritardo DMX: selezionare una modalità DMX con il canale DMX Delay e confermare la selezione (nell'esempio, D4 CH Preset). Assegnare i fari al gruppo desiderato tra i 24 disponibili (più il gruppo 0). È possibile assegnare più fari allo stesso gruppo. Il numero di gruppo è anche il fattore per cui viene moltiplicato il tempo di ritardo impostato nel controller DMX. Confermare ogni inserimento con ENTER.



Il tempo Delay (tempo di ritardo del segnale DMX) si imposta tramite un apposito controller DMX nel canale DMX Delay della modalità DMX corrispondente (da 0,0 s a 2,0 s con incrementi di 0,1 s). Esempio di configurazione:





## MENU STAND-ALONE MASTER / ALONE

Nelle modalità stand-alone Direct LED, Color Preset, CCT, HSI, Auto Program e Play Loop, il segnale di comando della modalità corrispondente può essere emesso alle unità slave tramite XLR (DMX OUT) e W-DMX™:

Stand Alone -> Master/Alone -> Master

Se non è desiderata, l'uscita del segnale di comando si può disattivare:

Stand Alone -> Master/Alone -> Master

Per le unità slave è possibile impostare un ritardo che definisca l'uscita ritardata del segnale di comando delle modalità stand-alone Auto Program e Play Loop.

Premere MENU dalla schermata principale per accedere al menu principale (Menu). Ora selezionare la voce di menu **Stand Alone**, confermare, selezionare **Master/Alone** e confermare di nuovo.

Menu	Stand Alone
DMX Address	Master/Alone
DMX Mode	Direct LED
Stand Alone	Color Preset
EZ Remote	CCT
Slave	HSI
Settings	Play Loop
Service	Timer
System Info	Edit User Color
	Edit Loop

Si accede quindi al sottomenu per impostare le voci di sottomenu (v. tabella).

Master	Send to W-DMX	Send to XLR	Il segnale di comando viene inoltrato tramite DMX OUT
		On	Attivazione dell'inoltro del segnale di controllo DMX tramite W-DMX
		Off	Disattivazione dell'inoltro del segnale di controllo DMX tramite W-DMX
		Force to pair	Accoppiamento con dispositivi W-DMX pronti per l'accoppiamento
		Unlink All	Disconnessione di tutti i collegamenti W-DMX
	DMX Delay	Impostare il ritardo DMX Delay per le unità slave: Off, 0,1 s-2,0 s	
Alone		Non inoltrare il segnale di comando	

## MODALITÀ STAND-ALONE DIRECT LED

La modalità stand-alone Direct LED consente di impostare dimmer, stroboscopio (Strobe), R, G, B e W (CLPB400IPG2), e R, G, B, W, A e UV (CLPB600IPG2) direttamente sul dispositivo, come per un dispositivo di controllo DMX. In questo modo è possibile creare una scena personalizzata senza necessità di un controller DMX supplementare.

Premendo MENU nella schermata principale si accede al menu principale. Con i tasti UP e DOWN, selezionare ora **Stand Alone**, confermare con ENTER, selezionare **Direct LED** e confermare di nuovo con ENTER. Selezionare ora la voce di menu che si desidera modificare, confermare la selezione, impostare il valore desiderato e confermare l'inserimento.

	CLPB400IPG2	CLPB600IPG2
Menu DMX Address DMX Mode <b>Stand Alone</b> EZ Remote Slave Settings Service System Info	Stand Alone Master/Alone <b>Direct LED</b> Color Preset CCT HSI Play Loop Timer Edit User Color Edit Loop	Direct LED <b>Dimmer 0% - 100%</b> Red 0% - 100% Green 0% - 100% Blue 0% - 100% White 0% - 100%
		Direct LED <b>Dimmer 0% - 100%</b> Red 0% - 100% Green 0% - 100% Blue 0% - 100% White 0% - 100% Amber 0% - 100% UV 0% - 100%

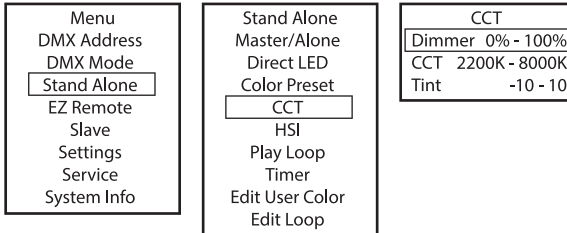
### MODALITÀ STAND-ALONE COLOR PRESET

Sono disponibili 49 preset di colori e otto preset utente regolabili individualmente (v. **Edit User Color**). La luminosità può essere regolata a livello superiore. Premendo MENU nella schermata principale si accede al menu principale. Con i tasti UP e DOWN, selezionare ora la voce di menu **Stand Alone**, confermare con ENTER, selezionare **Color Preset** e confermare di nuovo con ENTER. Selezionare ora **GEL** o **User Color** e confermare la selezione. Ora il preset desiderato può essere selezionato; confermare la selezione. Selezionare **Dimmer** (Luminosità), confermare la selezione ed eseguire le impostazioni desiderate. Confermare l'inserimento.

Menu DMX Address DMX Mode <b>Stand Alone</b> EZ Remote Slave Settings Service System Info	Stand Alone Master/Alone Direct LED <b>Color Preset</b> CCT HSI Play Loop Timer Edit User Color Edit Loop	Color Preset <b>Dimmer 0% - 100%</b> GEL User Color
---	--	--

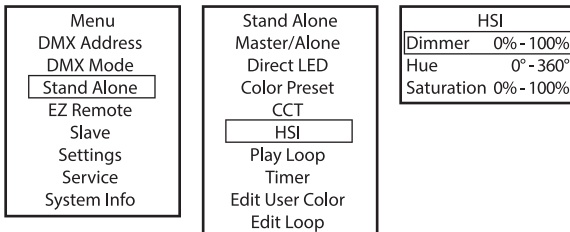
## MODALITÀ STAND-ALONE CCT (Correlated Colour Temperature)

Nella modalità stand-alone CCT, è possibile regolare la temperatura di colore da 2200 K a 8000 K con incrementi da 100 K, la tonalità (Tint) e la luminosità (Dimmer). Premendo MENU nella schermata principale si accede al menu principale. Con i tasti UP e DOWN, selezionare ora la voce di menu **Stand Alone**, confermare la selezione, quindi selezionare **CCT** e confermare di nuovo con ENTER. Selezionare la voce di menu da modificare, confermare la selezione ed eseguire le impostazioni desiderate. Confermare l'inserimento.



## MODALITÀ STAND-ALONE HSI (Hue - Saturation - Intensity)

Nella modalità stand-alone HSI, la tonalità (Hue), la saturazione (Saturation) e la luminosità (Dimmer) si possono regolare separatamente a piacere. Premendo MENU nella schermata principale si accede al menu principale. Con i tasti UP e DOWN, selezionare ora la voce di menu **Stand Alone**, confermare la selezione, quindi selezionare **HSI** e confermare di nuovo con ENTER. Selezionare la voce di menu da modificare, confermare la selezione ed eseguire le impostazioni desiderate. Confermare ogni inserimento



## MODALITÀ STAND-ALONE PLAY LOOP (Sequenze dei colori in 8 passi 1-8)

Gli 8 loop disponibili sono predefiniti in fabbrica ma possono essere personalizzati nella voce di menu **Edit Loop**. La luminosità è regolabile a livello superiore. Premendo MENU nella schermata principale si accede al menu principale. Con i tasti UP e DOWN, selezionare **Stand Alone**, confermare con ENTER, selezionare la voce di sottomenu **Play Loop** e confermare di nuovo con ENTER. Selezionare la voce di menu da modificare, confermare la selezione ed eseguire le impostazioni desiderate. Confermare ogni inserimento

Menu DMX Address DMX Mode <b>Stand Alone</b> EZ Remote Slave Settings Service System Info	Stand Alone Master/Alone Direct LED Color Preset CCT HSI <b>Play Loop</b> Timer Edit User Color Edit Loop	Play Loop Dimmer 0% - 100% Loop 1 - 8
---	--	---

## FUNZIONE TIMER

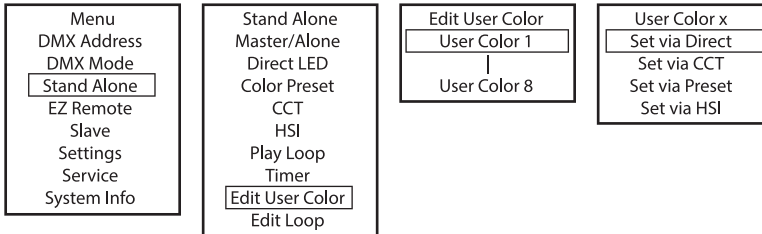
La funzione "Timer" consente di controllare i tempi delle modalità stand-alone Direct LED, Color Preset, CCT e HSI. È possibile, cioè, impostare il tempo di accensione (Fade In) da 0 a 60 minuti, il tempo di sospensione (Dwell Time) da 1 a 24 ore e il tempo di spegnimento (Fade Out) da 0 a 60 minuti. Dopo aver attivato la funzione Timer, al successivo avvio del sistema la temporizzazione si esegue secondo le impostazioni preliminari. Premendo MENU nella schermata principale si accede al menu principale. Selezionare **Stand Alone**, confermare, quindi selezionare **Timer** e confermare di nuovo la selezione. Alla voce **Timer** selezionare l'impostazione **On** e confermare. Per le singole impostazioni della temporizzazione, selezionare **Fade In**, **Dwell Time** o **Fade Out** e confermare la selezione. Ora è possibile impostare a piacere il valore desiderato. Confermare tutti gli inserimenti. Per disattivare la funzione Timer, sotto la voce **Timer** selezionare l'impostazione **Off** e confermare l'inserimento.

Nota: la funzione Timer può essere utilizzata nel funzionamento master/slave via cavo e W-DMX™.

Menu DMX Address DMX Mode <b>Stand Alone</b> EZ Remote Slave Settings Service System Info	Stand Alone Master/Alone Direct LED Color Preset CCT HSI Play Loop <b>Timer</b> Edit User Color Edit Loop	Timer Timer ON / OFF Fade In 0 - 60min Dwell Time 1 - 24h Fade Out 0 - 60min
---	--	--

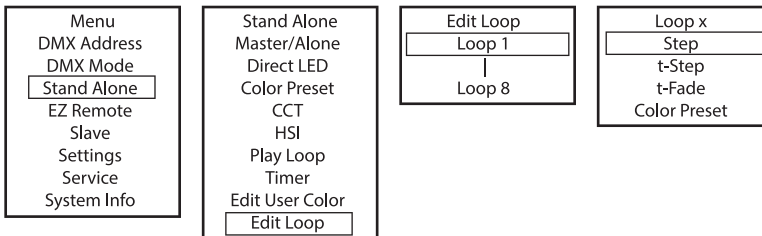
## MODIFICARE I PRESET UTENTE (Edit User Color)

Gli otto preset utente disponibili nella modalità stand-alone Color Preset sono modificabili individualmente. Premendo MENU nella schermata principale si accede al menu principale. Con i tasti UP e DOWN, selezionare la voce di menu **Stand Alone**, confermare con ENTER, selezionare quindi **Edit User Color** e confermare di nuovo. Selezionare il preset desiderato (User Color 1-8) e confermare la selezione. Decidere come creare il colore per il preset, selezionare uno dei quattro metodi (Direct, CCT, Preset e HSI) e confermare la selezione. Impostare ora il colore desiderato seguendo le istruzioni della modalità stand-alone corrispondente.



## MODIFICARE LOOP (Edit Loop)

La luminosità, la durata del passo e il tempo di dissolvenza sono regolabili separatamente per tutti gli otto loop. Premendo MENU nella schermata principale si accede al menu principale. Con i tasti UP e DOWN, selezionare la voce di menu **Stand Alone**, confermare con ENTER, selezionare quindi **Edit Loop** e confermare di nuovo. Selezionare ora il loop che si desidera modificare e confermare la selezione.



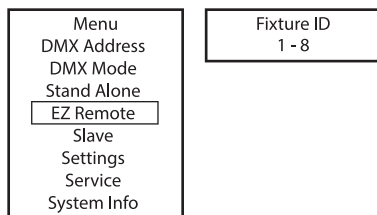
Si accede quindi al sottomenu per impostare le voci di sottomenu (v. tabella). Le impostazioni vengono effettuate separatamente per ogni loop e permangono anche dopo il riavvio del dispositivo.

Step	1 - 8	Selezione del passo
T-Step	T-Step 0s - 10s = 0,1s steps 10s - 1min = 1s steps 1min - 20min = 1min steps	Impostazione della durata del passo per il passo selezionato
T-Fade	T-Fade 0s - 10s = 0,1s steps 10s - 1min = 1s steps 1min - 20min = 1min steps	Impostazione del tempo di dissolvenza per il passo selezionato

Color Preset	Step 1 + 2: Dark Magenta - Rose Pink, User Color 1 - 8, Blackout	Selezione del preset di colori o dell'oscuramento per il passo selezionato
	Step 3 - 8: Dark Magenta - Rose Pink, User Color 1 - 8, Blackout, Skip Step	Selezione del preset di colori o dell'oscuramento, oppure ignorare il passo selezionato

### CONTROLLO EZ REMOTE TRAMITE CAMEO UNICON (acquistabile come optional)

Premendo MENU nella schermata principale si accede al menu principale. Con i tasti UP e DOWN selezionare la voce di menu **EZ Remote** e confermare premendo ENTER. Impostare l'ID dispositivo desiderato (Fixture ID 1-8) e confermare l'inserimento. Collegare il faro UNICON per mezzo di un cavo DMX, nel menu dell'UNICON selezionare **DMX Control**, quindi **EZ Remote** e impostare lo stesso ID dispositivo. A questo punto è possibile scegliere se controllare il faro tramite RGB, GEL, CCT o HSI. Assegnando diversi ID dispositivo, è possibile controllare separatamente fino a otto fari (o gruppi di fari) tramite UNICON.



### MODALITÀ SLAVE

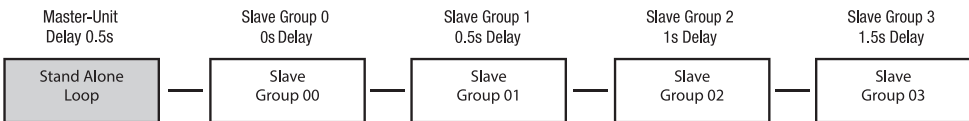
**Modalità Slave standard:** premere MENU dalla schermata principale per accedere al menu principale. Con i tasti UP e DOWN selezionare la voce di menu **Slave** e confermare con ENTER. Selezionare quindi il gruppo Slave 0 (Slave Group 0) e confermare di nuovo con ENTER. Collegare le unità Slave e Master (stesso modello, stessa versione software) per mezzo di un cavo DMX o mediante W-DMX™. Sull'unità master attivare una modalità stand-alone (Direct LED, Color Preset, CCT, HSI, Auto Program, Play Loop). Ora l'unità slave segue esattamente l'unità master.

**Funzionamento slave esteso:** se si desidera controllare le unità slave con la modalità stand-alone **Auto Program** oppure **Play Loop** nel funzionamento master/slave, è possibile riprodurre il segnale di comando con un ritardo temporale fino a 24 livelli. Il ritardo si imposta nel menu **Stand-alone Master/Alone** dell'unità master, il fattore di ritardo nel menu Slave del faro corrispondente (Group). In questo modo risulta facile creare giochi di luce a effetto chase utilizzando un numero a piacere di fari dello stesso modello e della stessa versione software. Questo effetto altrimenti si potrebbe ottenere solo con un controller DMX idoneo e una programmazione complessa. Collegare le unità Slave e Master (stesso modello, stessa versione software) per mezzo di un cavo DMX o con W-DMX™.

Menu DMX Address DMX Mode Stand Alone EZ Remote Slave Settings Service System Info	Slave Group Receive Mode		Group	0 - 24	Impostare il gruppo slave per il ritardo del segnale
	Receive Mode	Wireless	XLR (permanent aktiv)		
			On	Attivare il modulo W-DMX	
			Off	Disattivare il modulo W-DMX	
		Unlink	Staccare tutti i collegamenti e predisporli per l'accoppiamento		

Assegnare i fari al gruppo desiderato tra i 24 disponibili (più il gruppo 0). È possibile assegnare più fari allo stesso gruppo. Il numero del gruppo è anche il fattore per cui viene moltiplicato il tempo di ritardo impostato nell'unità master.

Esempio di configurazione:



## IMPOSTAZIONI DI SISTEMA (Settings)

Premendo MENU nella schermata principale si accede al menu principale. Con i tasti UP e DOWN, selezionare la voce di menu **Settings** e confermare con ENTER.

Menu DMX Address DMX Mode Stand Alone EZ Remote Slave Settings Service System Info
--

Si accede al sottomenu per impostare le voci corrispondenti (v. tabella, selezionare con UP e DOWN, confermare con ENTER, modificare il valore o lo stato con UP e DOWN, confermare con ENTER).

Wireless	=	Impostazioni wireless	W-DMX State	On	W-DMX attivato
				Off	W-DMX disattivato
			Operating Mode	Receive	Modalità W-DMX: ricevitore
				Transmit	G3 (standard di trasmissione G3)
			G4s (standard di trasmissione G4s)		
			Linking	Unlink	Disassociare tutti i dispositivi e predisporli per l'accoppiamento
				Link/Force to pair	Accoppiare a dispositivi W-DMX. Il W-DMX deve essere attivato su tutti i dispositivi e l'accoppiamento a un trasmettitore deve essere annullato (Receive Reset)
			Signal Routing	Send to XLR	Inviare il segnale in entrata al connettore XLR
				Backup by XLR	Quando si perde il segnale W-DMX, utilizzare il segnale in entrata dal connettore XLR.
Receive only	Nessun collegamento tra il segnale W-DMX e i connettori XLR				
Display	=	Impostazioni del display	Reverse	On	Rotazione di 180° del display (ad es. per montaggio sopra testa)
				Off	nessuna rotazione del display
			Off Timer	Always On	Illuminazione del display sempre accesa
				Off after 20s	Disattivazione dell'illuminazione del display dopo circa 20 secondi di inattività
			Autolock	Off	Funzione disattivata
				On after 60s	Dopo circa 60 secondi senza utilizzo, comandi e display vengono bloccati. Per sbloccare, premere contemporaneamente i tasti freccia UP e DOWN per circa 5 secondi
Dimmer	=	Comportamento dimmer e frequenza PWM	Curve	Linear	Curva dimmer: l'intensità luminosa aumenta linearmente con il valore DMX
				Exponential	L'intensità luminosa può essere impostata con maggior precisione ai livelli DMX inferiori e con minor precisione ai livelli DMX superiori.
				Logarithmic	Curva dimmer: L'intensità luminosa può essere impostata con minor precisione ai livelli DMX inferiori e con maggior precisione ai livelli DMX superiori.
				S-Curve	Curva dimmer: l'intensità luminosa può essere impostata con maggior precisione ai livelli DMX inferiore e superiori e con minor precisione ai livelli DMX medi.



Dimmer	=	Comportamento dimmer e frequenza PWM	PWM Frequency	650 Hz, 1530 Hz, 3600 Hz, 12 kHz, 18.9 kHz, 25 kHz	Selezione della frequenza LED PWM
			Response	LED	Il proiettore reagisce immediatamente alle variazioni del valore DMX
				Halogen	Il proiettore si comporta in maniera analoga a un proiettore alogeno con variazioni di luminosità gradualmente.
			Redshift	Dim to Warm	Imita la variazione di colore quando si regola la luminosità di un faro alogeno. Diminuendo l'intensità luminosa del faro, la temperatura del colore vira automaticamente ai toni più caldi del bianco e dell'ambra (e viceversa).
Off	Funzione disattivata				
Color Calibration	=	Calibrazione del colore	RAW		R, G, B e W (CLPB400IPG2) o R, G, B, W, A e Uv (CLPB600IPG2) con valore massimo 255
			User	CLPB400IPG2: RGBW CLPB600IPG2: RGB-WAUv	Calibrazione del colore singola. Impostazione della luminosità per più modalità operative con valori da 0 a 255
			Factory		Calibrazione di fabbrica (per tutte le modalità)
			Smart		Unione dell'impostazione di fabbrica e RAW
Signal Fail	=	Stato di funzionamento in caso di interruzione del segnale di comando	Hold		Mantiene l'ultimo comando
			Last Stand Alone		Si avvia l'ultima modalità stand-alone attivata
			Fade to Black (10s)		10 s da dissolvenza a oscuramento
			Blackout		Oscuramento istantaneo
			User Color 1		Attivazione User Color 1
			Full		Full On
Pixel Mirror	=	Specchio pixel	Off		Funzione disattivata
			On		I pixel sono speculari

Store Default	=	Salvare tutte le impostazioni di sistema in 3 singoli preset	User A	Salvare con ENTER
			User B	Salvare con ENTER
			User C	Salvare con ENTER

### MENU ASSISTENZA (Service)

Premere MENU dalla schermata principale per accedere al menu principale (Main Menu). Con i tasti UP e DOWN, selezionare **Service** e confermare con ENTER.

Menu
DMX Address
DMX Mode
Stand Alone
EZ Remote
Slave
Settings
<b>Service</b>
System Info

Le informazioni sulle voci di sottomenu del menu Service e le opzioni corrispondenti sono riportate nella tabella sotto (selezionare con UP e DOWN, confermare con ENTER, modificare il valore o lo stato con UP e DOWN, confermare con ENTER).

Load Default	Factory	Ripristino delle impostazioni di fabbrica
	User A	Ripristino dei valori dell'utente A (Per salvare i valori dell'utente, selezionare Settings -> Store Default)
	User B	Ripristino dei valori dell'utente B (Per salvare i valori dell'utente, selezionare Settings -> Store Default)
	User C	Ripristino dei valori dell'utente C (Per salvare i valori dell'utente, selezionare Settings -> Store Default)
Reset Service	No	Interrompere la procedura
Timer	Reset now	Resetare il tempo di funzionamento per la modalità Service
Password	Solo per l'assistenza	

## INFORMAZIONI DI SISTEMA (System Info)

Premere MENU dalla schermata principale per accedere al menu principale (Main Menu). Con i tasti UP e DOWN, selezionare **System Info** e confermare con ENTER.

Menu
DMX Address
DMX Mode
Stand Alone
EZ Remote
Slave
Settings
Service
<b>System Info</b>

Le informazioni sulle voci di sottomenu del menu System Info e le opzioni corrispondenti sono riportate nella tabella sotto (selezionare con UP e DOWN, confermare con ENTER, modificare il valore o lo stato con UP e DOWN, confermare con ENTER).

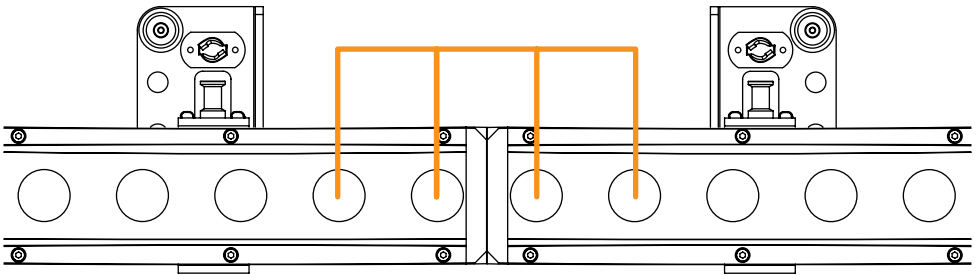
Firmware	DISP	Vx.x.x	Mostra la versione del firmware del componente corrispondente
	DRV	Vx.x.x	
Temperature	LED	xxx °C/°F	Mostra la temperatura del componente corrispondente
	Temperature Unit	°C	Impostazione dell'unità di temperatura
°F			
Runtime	Total	xxxx h : xx m	Tempo totale di funzionamento
	Operation	xxxx h : xx m	Tempo di utilizzo
	LED	xxxx h : xx m	Tempo di funzionamento della lampadina
	Service	xxxx h : xx m	Tempo di funzionamento dopo aver ripristinato il tempo di funzionamento in modalità Service
RDM-UID	RDM Unique Identifier (identificativo univoco)		

## MONTAGGIO



**PERICOLO:** il montaggio sopraelevato richiede una vasta esperienza, che include il calcolo dei valori limite per il carico di lavoro, il materiale di installazione utilizzato e la verifica periodica della sicurezza di tutti i materiali di installazione e dei fari. In assenza di queste qualifiche, non cercare di effettuare da soli l'installazione, ma ricorrere all'aiuto di imprese professionali. Sussiste il rischio che dispositivi non montati o fissati correttamente si allentino e cadano. Ciò può causare lesioni gravi o mortali alle persone.

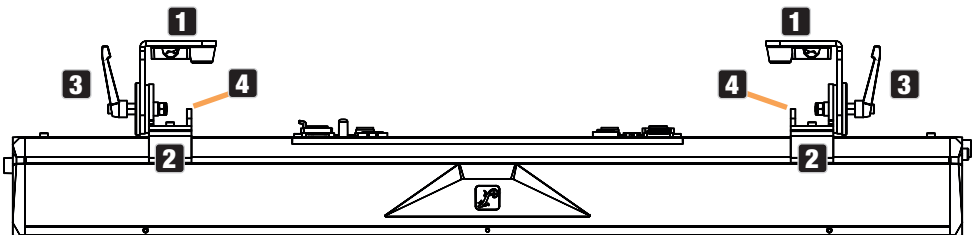
Grazie all'esclusivo meccanismo di accoppiamento, quando più PIXBAR® G2 sono agganciate la distanza dei pixel è uniforme anche nel passaggio da una PIXBAR® G2 all'altra.



Lo stativo regolabile e ai piedini di montaggio consentono di collocare la PIXBAR® G2 in posizione idonea su un pavimento piano (ad esempio, come uplight).

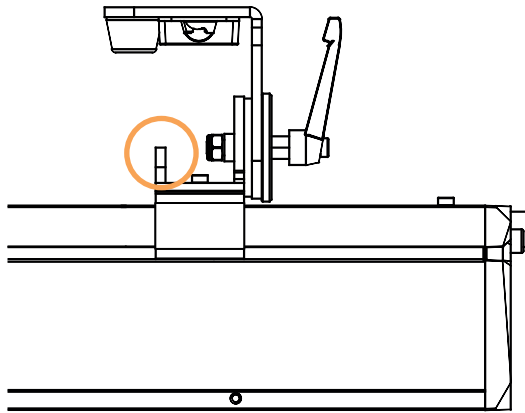
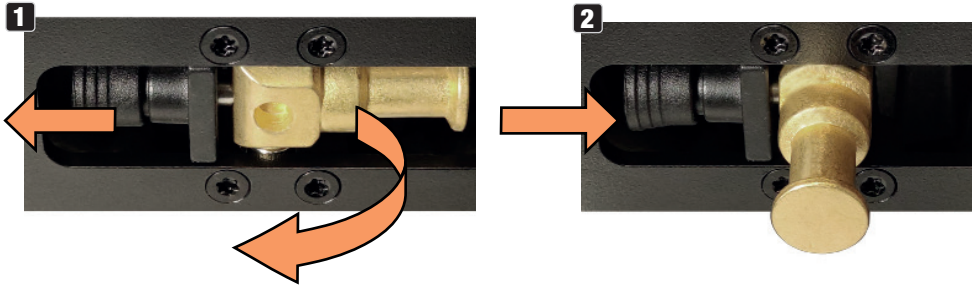
### MONTAGGIO DI UNA PIXBAR® SU BARRA TRASVERSALE

Per il montaggio su barra trasversale si utilizzano gli appositi morsetti, acquistabili come optional, da fissare direttamente sui piedini di montaggio (1). In alternativa, si possono utilizzare le staffe di montaggio Omega, anche queste acquistabili come optional (codice articolo CLOMEGABRACKET1). I piedini di montaggio si possono spostare sull'alloggiamento della PIXBAR® G2: basta allentare la vite a brugola centrale (in totale sono cinque) (2), portare il piedino nella posizione desiderata e serrare le vite di nuovo. La direzione del fascio può essere regolata per mezzo delle viti ad alette (3) sui piedini di montaggio. Verificare che i collegamenti siano ben saldi e che la PIXBAR® G2 non si possa allentare. Nelle installazioni sopraelevate, assicurare la PIXBAR® G2 a uno degli occhielli di sicurezza previsti (4) utilizzando un cavo di sicurezza adatto. Nel montaggio sopraelevato di più PIXBAR® G2, ogni singola PIXBAR® G2 deve essere fissata individualmente alla barra trasversale con i piedini di montaggio e assicurata con un cavo di sicurezza adatto.



## PER IL MONTAGGIO, UTILIZZARE PERNI TV SPIN16

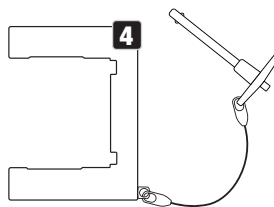
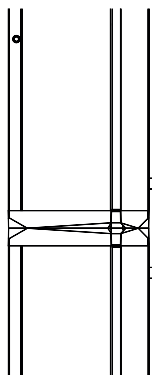
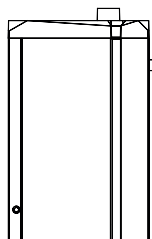
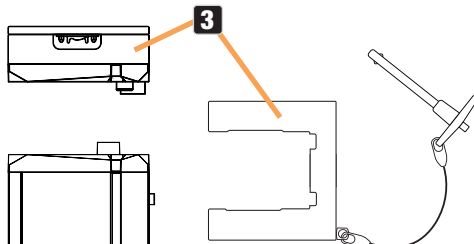
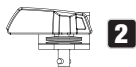
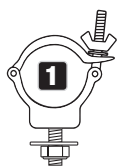
I piedini di montaggio della PIXBAR® G2 sono dotati di perni TV da 16 mm che si possono aprire e chiudere senza attrezzi. Per aprire un perno TV, estrarre il bullone di bloccaggio a molla dal foro corrispondente nel senso della freccia (1), piegare il perno TV in avanti e far innestare il bullone di bloccaggio nel foro di bloccaggio sfalsato di 90° (2). Per il montaggio, utilizzare morsetti per barre trasversali adatti. Verificare che i collegamenti siano ben saldi e che il faro non si possa allentare. Nelle installazioni sopratesta, assicurare il faro a uno degli occhielli di sicurezza previsti (v. marcatura) utilizzando un cavo di sicurezza adatto.



## MONTAGGIO VERTICALE A SOSPENSIONE SU BARRA TRASVERSALE

Nel montaggio verticale a sospensione si possono collegare tra loro fino a tre PIXBAR® G2. In questo caso, si devono utilizzare i seguenti articoli acquistabili come optional:

- 1** Un morsetto per barra trasversale adatto con sufficiente capacità di carico per il carico totale (ad esempio un semi accoppiatore).
- 2** Una staffa Omega (codice articolo CLOMEGABRACKET1).
- 3** Un set di arresto (codice articolo CLPBG2VERTIMOUNT).
- 4** Per collegare due o tre PIXBAR® G2 e fissare il collegamento sono necessari uno o due elementi di collegamento (codice articolo CLPBG2STACKKIT).



L'occhiello di sicurezza del piedino superiore della barra superiore funge da punto di sicurezza. Verificare che il cavo di sicurezza utilizzato per fissare le barre sia adatto per reggere il peso complessivo delle barre.

Per motivi estetici, i piedini di montaggio si possono ripiegare sul lato dell'alloggiamento; la superficie è protetta contro possibili danni da un tampone in gomma.

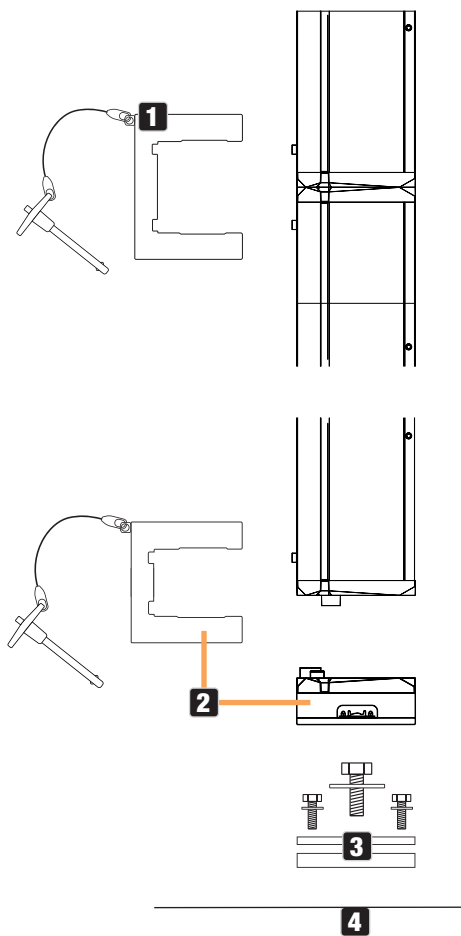
## MONTAGGIO VERTICALE A PAVIMENTO

Nel montaggio verticale a pavimento si possono collegare tra loro al massimo due PIXBAR® G2. In questo caso, si devono utilizzare i seguenti articoli acquistabili come optional:

- 1** Un elemento di raccordo (codice articolo CLPBG2STACKKIT).
- 2** Un set di arresto (codice articolo CLPBG2VERTIMOUNT).
- 3** Un set di collegamento M20 (codice articolo CLPBG2M20ADA).
- 4** Un pesante cavalletto in acciaio con filettatura M20 e stabilità sufficiente per reggere il carico complessivo.

La stabilità combinata con il supporto utilizzato deve essere valutata dall'utente. Non si devono aggiungere altri carichi.

Per motivi estetici, i piedini di montaggio si possono ripiegare sul lato dell'alloggiamento; la superficie è protetta contro possibili danni da un tampone in gomma.



ENGLISH

DEUTSCH

FRANCAIS

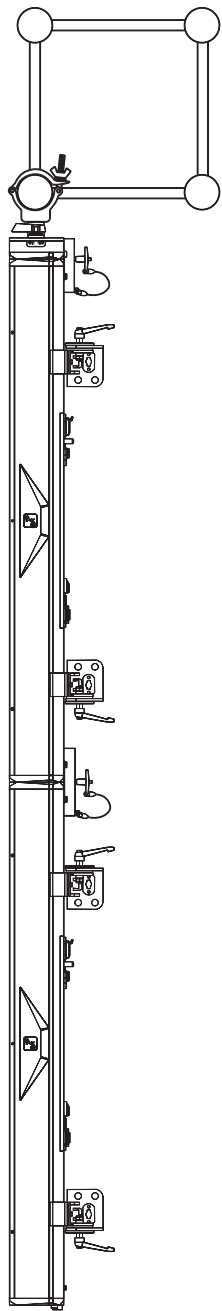
ESPAÑOL

POLSKI

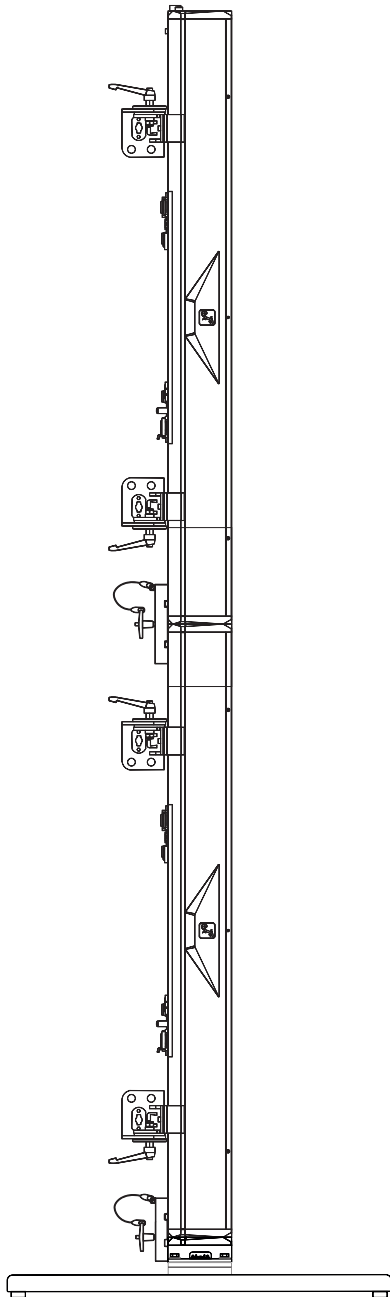
ITALIANO

DMX

### BARRA TRASVERSALE A SOSPENSIONE VERTICALMENTE



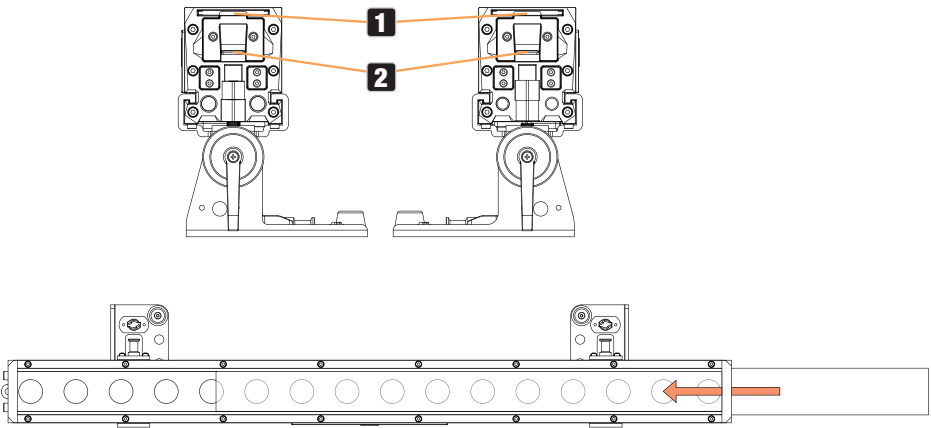
### MONTAGGIO VERTICALE A PAVIMENTO





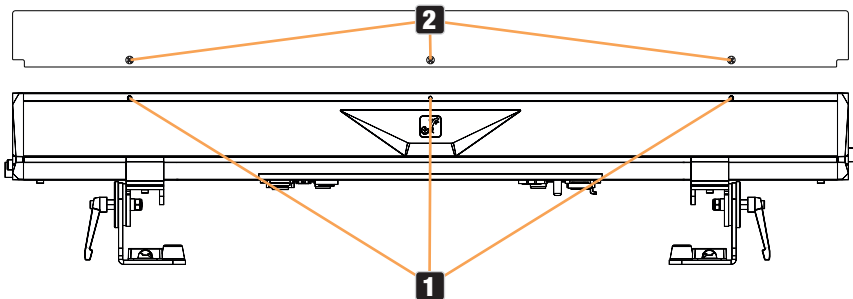
## FILTRO FROST

Con la PIXBAR® G2 è fornito in dotazione un filtro “Frost” standard. Per inserire il filtro frost nell’apposito supporto (1) della barra, aprire la chiusura scorrevole su un’estremità della barra ((2), spingere l’impugnatura verso il basso). Dopo aver inserito il filtro frost nel supporto, richiude il fermo per evitare che il filtro cada.



## PROTEZIONE ANTIRIFLESSO

Con la PIXBAR® G2 è fornita in dotazione una protezione antiriflesso. Su entrambi i lati, la PIXBAR® G2 ha tre filettature sul bordo superiore dell’alloggiamento (1). Montare la protezione antiriflesso sul lato desiderato della PIXBAR® G2 utilizzando le tre viti zigrinate (2).



## CURA, MANUTENZIONE E RIPARAZIONE

Per garantire il corretto funzionamento del dispositivo nel tempo, è necessario sottoporlo a una pulizia regolare e, se necessario, a manutenzione. La necessità di cura e manutenzione dipende dall'intensità e dall'ambiente di utilizzo.

In generale si consiglia di effettuare un'ispezione visiva prima di ogni utilizzo. Si consiglia inoltre di eseguire tutti gli interventi di pulizia applicabili menzionati di seguito ogni 500 ore di funzionamento o, in caso di minore intensità di utilizzo, al più tardi dopo un anno. I difetti causati da cura insufficiente possono comportare la limitazione dei diritti di garanzia.

### CURA (effettuabile dall'utente)



**AVVERTENZA!** Prima di qualsiasi intervento di cura, staccare l'alimentazione elettrica e, se possibile, tutti i collegamenti del dispositivo.



**NOTA** Una cura inadeguata può danneggiare il dispositivo, causando anche danni irreparabili.

1. Le superfici dell'alloggiamento devono essere pulite con un panno umido pulito. Aver cura che all'interno del dispositivo non penetri umidità.
2. Le aperture di ingresso e uscita dell'aria devono essere pulite regolarmente, rimuovendo polvere e sporcizia. Se si utilizza aria compressa, aver cura di non danneggiare il dispositivo (in questo caso, ad esempio, le ventole devono essere bloccate per evitare che girino eccessivamente).
3. I cavi e i contatti elettrici devono essere puliti regolarmente, rimuovendo polvere e sporcizia.
4. In generale per la pulizia non devono essere utilizzati detersivi o sostanze con effetto abrasivo; in caso contrario la qualità della superficie potrebbe essere compromessa.
5. In generale, i dispositivi devono essere conservati in un luogo asciutto e protetti da polvere e sporcizia.
6. Per garantire un funzionamento corretto e sicuro, tutte le lenti accessibili o rimovibili e le aperture per l'emissione di luce devono essere pulite regolarmente.

### MANUTENZIONE E RIPARAZIONE (solo da parte di personale specializzato)



**PERICOLO!** Il dispositivo contiene componenti sotto tensione. Anche dopo la disconnessione dalla rete elettrica, nel dispositivo può permanere tensione residua, dovuta ad esempio a condensatori carichi.



**NOTA** Il dispositivo non contiene assiami che richiedono manutenzione da parte dell'utente.



**NOTA** Gli interventi di manutenzione e riparazione devono essere eseguiti esclusivamente da personale tecnico sufficientemente qualificato. In caso di dubbi rivolgersi a un'officina specializzata.



**NOTA** Gli interventi di manutenzione non eseguiti correttamente possono invalidare la garanzia.



**NOTA** Nel caso di set di conversione o retrofitting, oppure di accessori forniti dal produttore, seguire sempre il manuale di montaggio accluso.

## ACCESSORI OPZIONALI

### CLPBG2FILTER55

55° Filtro frost

### CLPBG2FILTER70

70° Filtro frost

### CLPBG2FILTER2555

25° x 55° Filtro frost

### CLPBG2STACKKIT

Elemento di raccordo per la connessione meccanica sicura di due PIXBAR® G2

### CLPBG2VERTIMOUNT

Set di arresto per il montaggio di una PIXBAR® G2 sulla staffa di montaggio Omega CLOMEGA-BRACKET1 e per il montaggio sul set di collegamento CLPBG2M20ADA

### CLOMEGABRACKET1

Staffa di montaggio Omega

### CLPBG2M20ADA

Set di collegamento per il montaggio di una PIXBAR® G2 su un supporto con filettatura M20

# DIMENSIONI (mm)

ENGLISH

DEUTSCH

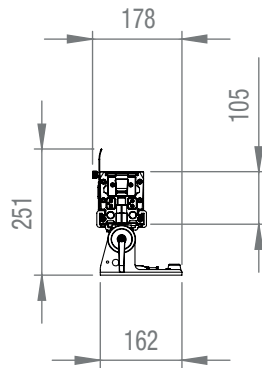
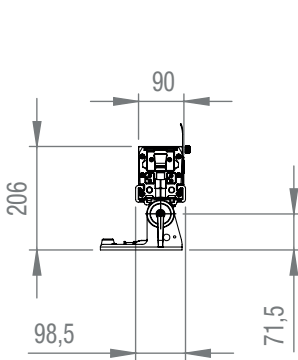
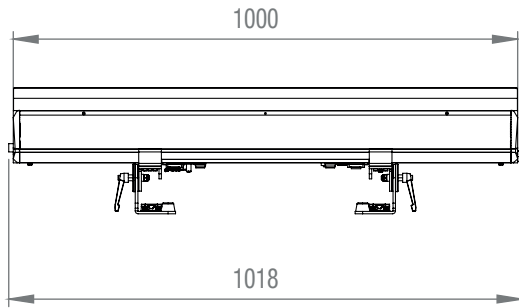
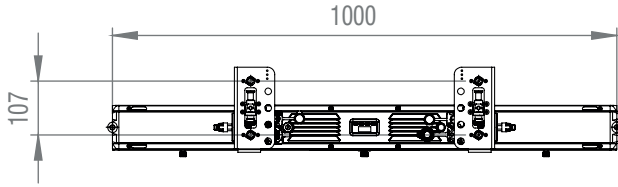
FRANCAIS

ESPAÑOL

POLSKI

ITALIANO

DMX



## DATI TECNICI

Codice articolo	CLPB400IPG2	CLPB600IPG2
Categoria del prodotto	Luce LED statica	Luce LED statica
Tipo	Barra LED	Barra LED
Sorgente luminosa	16 RGBW 4in1	16 RGBW 6in1
Flusso luminoso	6500 lm a 6300 K; R: 2500 lm; G: 3600 lm; B: 570 lm; W: 5000 lm	5300 lm a piena accensione; R: 1580 lm; G: 2755 lm; B: 427 lm; W: 3175 lm; A: 1753; UV: non applicabile
Lente / sistema ottico	16 lenti acriliche	16 lenti acriliche
Frequenza PWM	650 Hz, 1530 Hz, 3600 Hz, 12000 Hz, 18900 Hz, 25000 Hz	650 Hz, 1530 Hz, 3600 Hz, 12000 Hz, 18900 Hz, 25000 Hz
Risoluzione dimmer	8 / 16 bit	8 / 16 bit
Curve dimmer	Lineare, esponenziale, curva a S, logaritmica	Lineare, esponenziale, curva a S, logaritmica
Simulazione alogena	Sì	Sì
Strobo	0 Hz - 20 Hz	0 Hz - 20 Hz
CRI:	> 84 a 5600 K	> 77
Angolo del fascio / angolo di campo	25° - 42°	24° - 46°
Colore LED	R 625 nm; G: 518 nm; B: 545 nm; W: 6036 K	R 635 nm; G: 519 nm; B: 448 nm; W: 6100 K; A: 602 nm; UV: 400nm
Mix di colori	RGBW	RGBWUv
Modalità di controllo colori	RGBW diretto; CCT + Tonalità; HSI; Preset colori	RGBWUv diretto; CCT + Tonalità; HSI; Preset colori
CCT	2200 K - 8000 K	2200 K - 8000 K
Calibration	Grezza; fabbrica; intelligente	Grezza; fabbrica; intelligente
Protocolli di controllo	DMX; RDM; Wireless; Stand-Alone; Master-Slave; EZ-Remote	DMX; RDM; Wireless; Stand-Alone; Master-Slave; EZ-Remote
Connessioni dati	Ingresso/uscita XLR a 5 pin IP65; DMX wireless	Ingresso/uscita XLR a 5 pin IP65; DMX wireless
Modalità DMX	1CH; 3CH; 4CH; 7CH; 8CH; 10CH; 11CH; 16CH; 36CH; 48CH; 64CH; 68CH; D2CH; D4CH; D7CH	1CH; 3CH; 6CH; 9CH; 12CH; 12CH; 13CH; 20CH; 44CH; 48CH; 96CH; 100CH; D2CH; D4CH; D9CH
Funzioni DMX	Dimmer; Dimmer fine; Funzioni strobo; Rosso; Rosso fine; Verde; Verde fine; Blu; Blu fine; Bianco; Bianco fine; Temperatura di colore; Tonalità;	Dimmer; Dimmer fine; Funzioni strobo; Rosso; Rosso fine; Verde; Verde fine; Blu; Blu fine; Bianco; Bianco fine; Ambra; Ambra fine; UV; UV fine;

ENGLISH

DEUTSCH

FRANCAIS

ESPAÑOL

POLSKI

ITALIANO

DMX

Funzioni DMX	Preset colori; Dissolvenza incrociata preset colori; Cartella di selezione; Pattern; Velocità pattern; Transizione pattern; Pattern effetto corsa; Dimmer di sfondo; Dimmer di sfondo fine; Funzioni strobo di sfondo; Rosso di sfondo; Rosso di sfondo fine; Verde di sfondo; Verde di sfondo fine; Blu di sfondo; Blu di sfondo fine; Bianco di sfondo; Bianco di sfondo fine; Temperatura colore di sfondo; Tonalità di sfondo; Macro colori di sfondo; Dissolvenza incrociata macro di sfondo; Impostazioni dispositivo; Raggruppamento; Ritardo DMX (EZ-Chase); Pixel: R1, G1, B1, W1,... R16, G16, B16, W16	Temperatura colore; Tonalità; Preset colore; Dissolvenza incrociata preset colore; Cartella di selezione; Pattern; Velocità pattern; Transizione pattern; Pattern effetto corsa; Dimmer di sfondo; Dimmer di sfondo fine; Funzioni strobo di sfondo; Rosso di sfondo; Rosso di sfondo fine; Verde di sfondo; Verde di sfondo fine; Blu di sfondo; Blu di sfondo fine; Bianco di sfondo; Bianco di sfondo fine; Ambra di sfondo; Ambra di sfondo fine; UV di sfondo; Temperatura colore di sfondo; Tonalità di sfondo; Macro colori di sfondo; Macro dissolvenza incrociata di sfondo; Impostazioni dispositivo; Raggruppamento; Ritardo DMX (EZ-Chase); Pixel: R1, G1, B1, W1, A1, Uv1,... R16, G16, B16, W16, A16, Uv16
Funzioni RDM	Funzioni RDM standard di Cameo	Funzioni RDM standard di Cameo
Stand-Alone	Auto; Statico; CCT; HSI; Preset colore; Play Loop; Slave; Timer	Auto; Statico; CCT; HSI; Preset colore; Play Loop; Slave; Timer
Impostazioni di sistema	Wireless; Inversione display; Timer di spegnimento del display; Blocco automatico; Mancanza di segnale; Curva dimmer; Risposta dimmer; Spostamento verso il rosso; Frequenza PWM; Calibrazione del colore; Caricare valori predefiniti; Memorizzare valori predefiniti; Assistenza	Wireless; Inversione display; Timer di spegnimento del display; Blocco automatico; Mancanza di segnale; Curva dimmer; Risposta dimmer; Spostamento verso il rosso; Frequenza PWM; Calibrazione del colore; Caricare valori predefiniti; Memorizzare valori predefiniti; Assistenza
Interfaccia utente	4 pulsanti: MENU; ENTER; UP; DOWN	4 pulsanti: MENU; ENTER; UP; DOWN
Display	OLED su 2 righe	OLED su 2 righe
Grado di protezione IP	IP65 per uso in esterni	IP65 per uso in esterni
Temperatura ambiente nominale (in esercizio)	T -20°C - 45°C (unità operativa) -10°C - 45°C (display operativo)	T -20°C - 45°C (unità operativa) -10°C - 45°C (display operativo)
Umidità	Fino al 100% (senza condensazione)	Fino al 100% (senza condensazione)
Sistema di raffreddamento	Convezione passiva, senza ventole	Convezione passiva, senza ventole
Livello di rumore	Senza rumore	Senza rumore
Tensione di funzionamento	100-240 V CA; 50-60 Hz	100-240 V CA; 50-60 Hz

Corrente massima	0,77 A a 230 V; 1,62 A a 110 V	0,77 A a 230 V; 1,62 A a 110 V
Corrente di spunto	42 A	39 A
Consumo massimo di energia	180 W a 230 V / 110 V	180 W a 230 V / 110 V
Potenza in standby	9 W	9 W
Connettori di alimentazione	Seetronic IP65 In + Out	Seetronic IP65 In + Out
Connessione elettrica	Fino a 9 unità a 230 V; fino a 5 unità a 110 V	Fino a 9 unità a 230 V; fino a 5 unità a 110 V
Distanza minima dalla superficie illuminata	0.3 m	0.3 m
Minimum distance to normal flammable materials	0.017 m	0.017 m
Alloggiamento	Stringa in fusione di alluminio, verniciata a polvere nera	Stringa in fusione di alluminio, verniciata a polvere nera
Dimensioni	1018 mm (1000 mm quando le unità sono collegate) x 206 mm x 178 mm	1018 mm (1000 mm quando le unità sono collegate) x 206 mm x 178 mm
Peso	11,8 kg	11,8 kg
RDM UID	0x08A4004C 0000-FFFF	0x08A4004D 0000-FFFF

## SPIEGAZIONI SULLA CLASSE DI PROTEZIONE IP

1. Una classe di protezione IP indica solo la protezione contro oggetti solidi e acqua. Non descrive una generale resistenza agli agenti atmosferici, come ad esempio la protezione da raggi UV, influssi della temperatura ecc.

2. Il primo indice connota la protezione contro polvere, oggetti solidi e contatto:

IP2X	Protetto contro la penetrazione di corpi solidi di diametro $\geq 12,5$ mm
IP3X	Protetto contro la penetrazione di corpi solidi di diametro $\geq 2,5$ mm
IP4X	Protetto contro la penetrazione di corpi solidi di diametro $\geq 1,0$ mm
IP5X	Protezione contro la polvere in quantità dannosa e protezione completa contro il contatto
IP6X	Sono a tenuta di polvere e completamente protetti dal contatto

3. Il secondo indice connota la protezione dall'acqua:

IPX0	Nessuna protezione
IPX1	Protezione contro la caduta verticale di gocce d'acqua

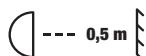
IPX2	Protezione contro la caduta di gocce d'acqua quando il dispositivo è inclinato fino a 15°
IPX3	Protezione contro la caduta di spruzzi d'acqua fino a 60° rispetto alla verticale
IPX4	Protezione contro gli spruzzi d'acqua su tutti i lati
IPX5	Protezione contro i getti d'acqua (ugello) da qualsiasi angolazione
IPX6	Protezione contro getti d'acqua potenti
IPX7	Protezione da immersione temporanea

4. Per ottenere la classe di protezione indicata, inoltre, sono necessarie misure specifiche per il dispositivo, come coperture e cappucci (ad es. coperchi di protezione sugli attacchi non utilizzati).



La classe di protezione IP del prodotto è indicata nei dati tecnici e stampigliata sul dispositivo.

## DISTANZA MINIMA DALLA SUPERFICIE ILLUMINATA



Questo simbolo, con la distanza in metri (m), indica la distanza minima tra il corpo della lampada e la superficie illuminata. In questo esempio la distanza è 0,5 m. Per i valori applicabili per questo dispositivo, fare riferimento ai dati tecnici contenuti in questo manuale di istruzioni e alla stampigliatura sull'alloggiamento dell'apparecchio.

## DISTANZA MINIMA DA MATERIALI NORMALMENTE INFIAMMABILI



Questo simbolo con la distanza in metri (m) indica la distanza minima tra il dispositivo e materiali normalmente infiammabili. In questo esempio la distanza è 0,5 m. Per i valori applicabili per questo dispositivo, fare riferimento ai dati tecnici contenuti in questo manuale di istruzioni.

## SMALTIMENTO



### IMBALLAGGIO

1. Gli imballaggi possono essere riciclati attraverso i consueti canali di smaltimento.
2. Separare l'imballaggio in conformità alle leggi sullo smaltimento e i regolamenti sui materiali riciclabili in vigore nel proprio Paese.



### DISPOSITIVO

1. Questo dispositivo è soggetto alla Direttiva europea sui rifiuti di apparecchiature elettriche ed elettroniche nella versione in vigore (Direttiva RAEE sui rifiuti di apparecchiature elettriche ed elettroniche). I dispositivi usati non devono essere smaltiti con i rifiuti domestici. Il dispositivo usato deve essere smaltito mediante un'azienda di smaltimento autorizzata o presso un centro di smaltimento comunale. Rispettare le normative in vigore nel proprio Paese.





2. Rispettare tutte le leggi sullo smaltimento in vigore nel proprio Paese.
3. I clienti privati possono richiedere informazioni sulle opzioni di smaltimento ecosostenibile al rivenditore presso il quale è stato acquistato il prodotto o presso le autorità regionali competenti.

## **DICHIARAZIONI DEL FABBRICANTE**

### **Garanzia del produttore e limitazione di responsabilità**

Adam Hall GmbH, Adam Hall-Str. 1, D-61267 Neu-Anspach

E-mail [info@adamhall.com](mailto:info@adamhall.com) / +49 (0)6081 / 9419-0

Le nostre condizioni di garanzia aggiornate e la limitazione di responsabilità sono consultabili alla pagina:

[https://cdn-shop.adamhall.com/media/pdf/Manufacturers-Declarations-CAMEO\\_DE\\_EN\\_ES\\_FR.pdf](https://cdn-shop.adamhall.com/media/pdf/Manufacturers-Declarations-CAMEO_DE_EN_ES_FR.pdf)

Per assistenza, rivolgersi al proprio distributore di fiducia.

### **Conformità CE**

Con la presente Adam Hall GmbH dichiara che questo prodotto soddisfa le seguenti direttive (ove pertinente):

Direttiva bassa tensione (2014/35/CE)

Direttiva CEM (2014/30/UE)

RoHS (2011/65/UE)

RED (2014/53/UE)

### **Dichiarazione di conformità CE**

Le dichiarazioni di conformità per i prodotti soggetti alle direttive LVD, EMC e RoHS possono essere richieste all'indirizzo [info@adamhall.com](mailto:info@adamhall.com)

Le dichiarazioni di conformità per i prodotti soggetti alla direttiva RED possono essere scaricate da [www.adamhall.com/compliance/](http://www.adamhall.com/compliance/).

**Con riserva di errori di stampa e refusi, nonché di modifiche tecniche o di altro tipo.**

## DMX CONTROL / DMX STEUERUNG / PILOTAGE DMX / CONTROL DMX / STEROWANIE DMX / CONTROLLO DMX : PB 400 IP G2

PB 400 IP G2					
1CH Dim UC1					
Channel	Function	Values			
1 (Color = Stand Alone Mode - Color Pre-set - User Color 1)	Dimmer	000	-	255	0% to 100%

PB 400 IP G2					
3CH Preset					
Channel	Function	Values			
1	Dimmer	000	-	255	0% to 100%
2	Strobe Functions	000	-	005	Open
		006	-	010	Closed
		011	-	022	Ramp up/down slow to fast
		023	-	033	Ramp up/down random slow to fast
		034	-	045	Ramp up slow to fast
		046	-	056	Ramp up random slow to fast
		057	-	068	Ramp down slow to fast
		069	-	079	Ramp down random slow to fast
		080	-	102	Random Strobe effect slow to fast
		103	-	127	Strobe Break effect 5s to 1s (Short burst with break)
3	Color Presets	128	-	250	Strobe slow to fast (<1Hz to 20Hz)
		251	-	255	Open
		000	-	005	No function
		006	-	009	46 Dark Magenta
		010	-	013	29 Plasa Red
		014	-	017	26 Bright Red
		018	-	021	127 Smokey Pink
		022	-	025	36 Medium Pink
026	-	029	19 Fire		
030	-	033	135 Deep Golden Amber		

3	Color Presets	034	-	037	778 Millennium Gold
		038	-	041	21 Gold Amber
		042	-	045	157 Pink
		046	-	049	110 Middle Rose
		050	-	053	109 Light Salmon
		054	-	057	35 Light Pink
		058	-	061	134 Golden Amber
		062	-	065	17 Surprise Peach
		066	-	069	746 Brown
		070	-	073	105 Orange
		074	-	077	20 Medium Amber
		078	-	081	768 Egg Yolk Yellow
		082	-	085	15 Deep Straw
		086	-	089	767 Nectarine
		090	-	093	101 Yellow
		094	-	097	100 Spring Yellow
		098	-	101	88 Lime Green
		102	-	105	121 LEE Green
		106	-	109	738 Jas Green
		110	-	113	89 Moss Green
		114	-	117	139 Primary Green
		118	-	121	124 Dark Green
		122	-	125	323 Jade
		126	-	129	354 Special Steel Blue
		130	-	133	116 Medium Blue-Green
		134	-	137	183 Moonlight Blue
		138	-	141	132 Medium Blue
		142	-	145	119 Dark Blue
		146	-	149	716 Mikkel Blue
		150	-	153	71 Tokyo Blue
		154	-	157	181 Congo Blue
		158	-	161	799 Special KH Lavender
		162	-	165	707 Ultimate Violet
		166	-	169	343 Special Medium Lavender
170	-	173	798 Chrysalis Pink		
174	-	177	701 Provence		
178	-	181	797 Deep Purple		
182	-	185	48 Rose Purple		
186	-	189	345 Fuchsia Pink		
190	-	193	795 Magical Magenta		
194	-	197	128 Bright Pink		

3	Color Presets	198 - 201	2 Rose Pink
		202 - 207	User Color 1
		208 - 213	User Color 2
		214 - 219	User Color 3
		220 - 225	User Color 4
		226 - 231	User Color 5
		232 - 237	User Color 6
		238 - 243	User Color 7
		244 - 249	User Color 8
250 - 255	No function		

**PB 400 IP G2**

4CH Di- rect 8Bit	8CH Di- rect 16Bit		
Channel	Channel	Function	Values
1	1	Red	000 - 255 0% to 100%
	2	Red fine	000 - 255 0% to 100%
2	3	Green	000 - 255 0% to 100%
	4	Green fine	000 - 255 0% to 100%
3	5	Blue	000 - 255 0% to 100%
	6	Blue fine	000 - 255 0% to 100%
4	7	White	000 - 255 0% to 100%
	8	White fine	000 - 255 0% to 100%

**PB 400 IP G2**

7CH Di- rect Ctrl	10CH Di- rect CCT				
Channel	Channel	Function	Values	Subgroup	
1	1	Dimmer	000 - 255	0% to 100%	Dimmer
	2	Dimmer fine	000 - 255		
3	3	Strobe Functions	000 - 005	Open	Multi- functional Strobe
			006 - 010	Closed	
			011 - 022	Ramp up/down slow to fast	
			023 - 033	Ramp up/down random slow to fast	
			034 - 045	Ramp up slow to fast	
			046 - 056	Ramp up random slow to fast	

	3	Strobe Functions	057	-	068	Ramp down slow to fast	Multi-functional Strobe
			069	-	079	Ramp down random slow to fast	
			080	-	102	Random Strobe effect slow to fast	
			103	-	127	Strobe Break effect 5s to 1s (Short burst with break)	
			128	-	250	Strobe slow to fast (<1Hz to 20Hz)	
			251	-	255	Open	
3	4	Red	000	-	255	0% to 100%	Additive Color Mixing
4	5	Green	000	-	255	0% to 100%	
5	6	Blue	000	-	255	0% to 100%	
6	7	White	000	-	255	0% to 100%	
	8	Color Temperature (affects Color Mixing)	000	-	005	Off	CCT
			006	-	006	Warm white	
			007	-	046	Warm white to 2700K	
			047	-	047	Bulb White (2700K)	
			048	-	087	2700K to 3200K	
			088	-	088	Halogen White (3200K)	
			089	-	128	3200K to 4000K	
			129	-	129	Neutral White (4000K)	
			130	-	169	4000K to 5600K	
			170	-	170	Studio White (5600K)	
			171	-	210	5600K to 6500K	
			211	-	211	Daylight White (6500K)	
			212	-	251	6500K to Cold white	
			252	-	255	Cold white	
	9	Tint (affects Color Temperature)	000	-	000	Off	Tint
			001	-	127	Magenta -> Neutral	
			128	-	128	Neutral	
			129	-	255	Neutral -> Green	

7	10	Device settings (All settings are executed after holding value for 3 seconds) (please read remark 1*)	000 - 024	No function	
			025 - 025	Record User Color 1	User Colors
			026 - 026	Record User Color 2	
			027 - 027	Record User Color 3	
			028 - 028	Record User Color 4	
			029 - 029	Record User Color 5	
			030 - 030	Record User Color 6	
			031 - 031	Record User Color 7	
			032 - 032	Record User Color 8	
			033 - 057	No function	
			058 - 059	Pixel Mirroring Off	Pixel Mirroring
			060 - 061	Pixel Mirroring On	
			062 - 073	No function	
			074 - 075	Dimmer Response LED	Dimming
			076 - 077	Dimmer Response Halogen	
			078 - 081	No function	
			082 - 083	DTW (Redshift) On	
			084 - 085	DTW (Redshift) Off	
			086 - 119	No function	
			120 - 121	PWM 1 (650 Hz)	PWM Frequency
			122 - 123	PWM 2 (1530 Hz)	
			124 - 125	PWM 3 (3600 Hz)	
			126 - 127	PWM 4 (12000 Hz)	
			128 - 129	PWM 5 (18900 Hz)	
			130 - 131	PWM 6 (25000 Hz)	
			132 - 133	RAW	
			134 - 135	Factory Calibration	Color Calibration
136 - 137	User Calibration				
138 - 139	Smart Calibration				
140 - 141	Display Always On	Display Functions			
142 - 143	Display Off after 20s				

7	10	Device settings (All settings are executed after holding value for 3 seconds) (please read remark 1*)	144	-	163	No function	
			164	-	165	Dimmer Curve Linear	Dimmer Curve
			166	-	167	Dimmer Curve Exponential	
			168	-	169	Dimmer Curve Logarithmic	
			170	-	171	Dimmer Curve S-Curve	
			172	-	239	No function	
			240	-	241	Load Factory Defaults	Load Default
			242	-	243	Load Factory Defaults (without User Colours & Loops)	
			244	-	245	Load User Default A	
			246	-	247	Load User Default B	
			248	-	249	Load User Default C	
			250	-	255	No function	

<b>PB 400 IP G2</b>						
<b>11CH Effect Pattern</b>						
<b>Channel</b>	<b>Function</b>	<b>Values</b>			<b>Subgroup</b>	
1	Dimmer	000	-	255	0% to 100%	Dimmer
2	Dimmer fine	000	-	255	0% to 100%	
3	Strobe Functions	000	-	005	Open	Multi- functional Strobe
		006	-	010	Closed	
		011	-	022	Ramp up/down slow to fast	
		023	-	033	Ramp up/down random slow to fast	
		034	-	045	Ramp up slow to fast	
		046	-	056	Ramp up random slow to fast	

3	Strobe Functions	057 - 068	Ramp down slow to fast	Multi-functional Strobe
		069 - 079	Ramp down random slow to fast	
		080 - 102	Random Strobe effect slow to fast	
		103 - 127	Strobe Break effect 5s to 1s (Short burst with break)	
		128 - 250	Strobe slow to fast (<1Hz to 20Hz)	
		251 - 255	Open	
4	Red	000 - 255	0% to 100%	Additive Color Mixing
5	Green	000 - 255	0% to 100%	
6	Blue	000 - 255	0% to 100%	
7	White	000 - 255	0% to 100%	
8	Color Presets (override Color Mixing)	000 - 005	No function	Color Presets
		006 - 009	46 Dark Magenta	
		010 - 013	29 Plasma Red	
		014 - 017	26 Bright Red	
		018 - 021	127 Smokey Pink	
		022 - 025	36 Medium Pink	
		026 - 029	19 Fire	
		030 - 033	135 Deep Golden Amber	
		034 - 037	778 Millennium Gold	
		038 - 041	21 Gold Amber	
		042 - 045	157 Pink	
		046 - 049	110 Middle Rose	
		050 - 053	109 Light Salmon	
		054 - 057	35 Light Pink	
		058 - 061	134 Golden Amber	
		062 - 065	17 Surprise Peach	
		066 - 069	746 Brown	
		070 - 073	105 Orange	
		074 - 077	20 Medium Amber	
		078 - 081	768 Egg Yolk Yellow	
082 - 085	15 Deep Straw			
086 - 089	767 Nectarine			
090 - 093	101 Yellow			



8	Color Presets (override Color Mixing)	094 - 097	100 Spring Yellow	Color Presets
		098 - 101	88 Lime Green	
		102 - 105	121 LEE Green	
		106 - 109	738 Jas Green	
		110 - 113	89 Moss Green	
		114 - 117	139 Primary Green	
		118 - 121	124 Dark Green	
		122 - 125	323 Jade	
		126 - 129	354 Special Steel Blue	
		130 - 133	116 Medium Blue-Green	
		134 - 137	183 Moonlight Blue	
		138 - 141	132 Medium Blue	
		142 - 145	119 Dark Blue	
		146 - 149	716 Mikkell Blue	
		150 - 153	71 Tokyo Blue	
		154 - 157	181 Congo Blue	
		158 - 161	799 Special KH Lavender	
		162 - 165	707 Ultimate Violet	
		166 - 169	343 Special Medium Lavender	
		170 - 173	798 Chrysalis Pink	
		174 - 177	701 Provence	
		178 - 181	797 Deep Purple	
		182 - 185	48 Rose Purple	
		186 - 189	345 Fuchsia Pink	
		190 - 193	795 Magical Magenta	
		194 - 197	128 Bright Pink	
		198 - 201	2 Rose Pink	
		202 - 207	User Color 1	
		208 - 213	User Color 2	
		214 - 219	User Color 3	
220 - 225	User Color 4			
226 - 231	User Color 5			
232 - 237	User Color 6			
238 - 243	User Color 7			

ENGLISH	8	Color Presets (override Color Mixing)	244 - 249	User Color 8	Color Presets				
			250 - 255	No function					
DEUTSCH	9	Pattern Selection	000 - 005	Off	Effect Pattern				
			006 - 009	Pattern 1					
			010 - 013	Pattern 2					
			014 - 017	Pattern 3					
			018 - 021	Pattern 4					
			022 - 025	Pattern 5					
			026 - 029	Pattern 6					
			030 - 033	Pattern 7					
			034 - 037	Pattern 8					
			038 - 041	Pattern 9					
			042 - 045	Pattern 10					
			046 - 049	Pattern 11					
			050 - 053	Pattern 12					
			054 - 057	Pattern 13					
			058 - 061	Pattern 14					
			062 - 065	Pattern 15					
			FRANCAIS	9		Pattern Selection	066 - 069	Pattern 16	Effect Pattern
070 - 073	Pattern 17								
074 - 077	Pattern 18								
078 - 081	Pattern 19								
082 - 255	All LEDs on								
ESPAÑOL	10	Pattern Position & Speed			000 - 005		Effect Pattern Speed Stop	Effect Pattern	
					006 - 127		Effect Pattern Speed slow to fast		
					128 - 255		Effect Pattern Speed fast to slow (backwards)		
POLSKI	11	Device settings (All settings are executed after holding value for 3 seconds) (please read remark 1*)			000 - 024		No function	User Colors	
					025 - 025		Record User Color 1		
					026 - 026		Record User Color 2		
					027 - 027		Record User Color 3		
					028 - 028		Record User Color 4		
					029 - 029		Record User Color 5		
					030 - 030		Record User Color 6		
ITALIANO	11	Device settings (All settings are executed after holding value for 3 seconds) (please read remark 1*)			000 - 024		No function	User Colors	
					025 - 025		Record User Color 1		
			026 - 026	Record User Color 2					
			027 - 027	Record User Color 3					
			028 - 028	Record User Color 4					
			029 - 029	Record User Color 5					
			030 - 030	Record User Color 6					
DMX	11	Device settings (All settings are executed after holding value for 3 seconds) (please read remark 1*)	000 - 024	No function	User Colors				
			025 - 025	Record User Color 1					
			026 - 026	Record User Color 2					
			027 - 027	Record User Color 3					
			028 - 028	Record User Color 4					
			029 - 029	Record User Color 5					
			030 - 030	Record User Color 6					

11	Device settings (All settings are executed after holding value for 3 seconds) (please read remark 1*)	031	-	031	Record User Color 7	User Colors
		032	-	032	Record User Color 8	
		033	-	057	No function	Pixel Mirroring
		058	-	059	Pixel Mirroring Off	
		060	-	061	Pixel Mirroring On	
		062	-	073	No function	Dimming
		074	-	075	Dimmer Response LED	
		076	-	077	Dimmer Response Halogen	
		078	-	081	No function	
		082	-	083	DTW (Redshift) On	
		084	-	085	DTW (Redshift) Off	
		086	-	119	No function	PWM Frequency
		120	-	121	PWM 1 (650 Hz)	
		122	-	123	PWM 2 (1530 Hz)	
		124	-	125	PWM 3 (3600 Hz)	
		126	-	127	PWM 4 (12000 Hz)	
		128	-	129	PWM 5 (18900 Hz)	
		130	-	131	PWM 6 (25000 Hz)	Color Calibration
		132	-	133	RAW	
		134	-	135	Factory Calibration	
		136	-	137	User Calibration	
		138	-	139	Smart Calibration	Display Functions
		140	-	141	Display Always On	
		142	-	143	Display Off after 20s	
		144	-	163	No function	Dimmer Curve
		164	-	165	Dimmer Curve Linear	
166	-	167	Dimmer Curve Exponential			
168	-	169	Dimmer Curve Logarithmic			
170	-	171	Dimmer Curve S-Curve			
172	-	239	No function	Load Default		
240	-	241	Load Factory Defaults			

11	Device settings (All settings are executed after holding value for 3 seconds) (please read remark 1*)	242	-	243	Load Factory Defaults (without User Colours & Loops)	Load Default
		244	-	245	Load User Default A	
		246	-	247	Load User Default B	
		248	-	249	Load User Default C	
		250	-	255	No function	

**PB 400 IP G2****16CH Wash**

Channel	Function	Values				Subgroup
1	Dimmer	000	-	255	0% to 100%	Dimmer
2	Dimmer fine	000	-	255	0% to 100%	
3	Strobe Functions	000	-	005	Open	Multi-functional Strobe
		006	-	010	Closed	
		011	-	022	Ramp up/down slow to fast	
		023	-	033	Ramp up/down random slow to fast	
		034	-	045	Ramp up slow to fast	
		046	-	056	Ramp up random slow to fast	
		057	-	068	Ramp down slow to fast	
		069	-	079	Ramp down random slow to fast	
		080	-	102	Random Strobe effect slow to fast	
		103	-	127	Strobe Break effect 5s to 1s (Short burst with break)	
		128	-	250	Strobe slow to fast (<1Hz to 20Hz)	
		251	-	255	Open	
4	Red	000	-	255	0% to 100%	Additive Color Mixing

5	Red fine	000	-	255	0% to 100%	Additive Color Mixing
6	Green	000	-	255	0% to 100%	
7	Green fine	000	-	255	0% to 100%	
8	Blue	000	-	255	0% to 100%	
9	Blue fine	000	-	255	0% to 100%	
10	White	000	-	255	0% to 100%	
11	White fine	000	-	255	0% to 100%	
12	Color Temperature (affects Color Mixing)	000	-	005	Off	CCT
		006	-	006	Warm white	
		007	-	046	Warm white to 2700K	
		047	-	047	Bulb White (2700K)	
		048	-	087	2700K to 3200K	
		088	-	088	Halogen White (3200K)	
		089	-	128	3200K to 4000K	
		129	-	129	Neutral White (4000K)	
		130	-	169	4000K to 5600K	
		170	-	170	Studio White (5600K)	
		171	-	210	5600K to 6500K	
		211	-	211	Daylight White (6500K)	
		212	-	251	6500K to Cold white	
252	-	255	Cold white			
13	Tint (affects Color Temperature)	000	-	000	Off	Tint
		001	-	127	Magenta -> Neutral	
		128	-	128	neutral	
		129	-	255	Neutral -> Green	
14	Color Presets (override Color Mixing & Color Temperature)	000	-	005	No function	Color
		006	-	009	46 Dark Magenta	
		010	-	013	29 Plasa Red	
		014	-	017	26 Bright Red	
		018	-	021	127 Smokey Pink	
		022	-	025	36 Medium Pink	
		026	-	029	19 Fire	
		030	-	033	135 Deep Golden Amber	

14

Color Presets (override Color  
Mixing & Color Temperature)

Color

034	-	037	778 Millennium Gold
038	-	041	21 Gold Amber
042	-	045	157 Pink
046	-	049	110 Middle Rose
050	-	053	109 Light Salmon
054	-	057	35 Light Pink
058	-	061	134 Golden Amber
062	-	065	17 Surprise Peach
066	-	069	746 Brown
070	-	073	105 Orange
074	-	077	20 Medium Amber
078	-	081	768 Egg Yolk Yellow
082	-	085	15 Deep Straw
086	-	089	767 Nectarine
090	-	093	101 Yellow
094	-	097	100 Spring Yellow
098	-	101	88 Lime Green
102	-	105	121 LEE Green
106	-	109	738 Jas Green
110	-	113	89 Moss Green
114	-	117	139 Primary Green
118	-	121	124 Dark Green
122	-	125	323 Jade
126	-	129	354 Special Steel Blue
130	-	133	116 Medium Blue-Green
134	-	137	183 Moonlight Blue
138	-	141	132 Medium Blue
142	-	145	119 Dark Blue
146	-	149	716 Mikkell Blue
150	-	153	71 Tokyo Blue
154	-	157	181 Congo Blue
158	-	161	799 Special KH Lavender
162	-	165	707 Ultimate Violet
166	-	169	343 Special Medium Lavender
170	-	173	798 Chrysalis Pink

14	Color Presets (override Color Mixing & Color Temperature)	174 - 177	701 Provence	Color
		178 - 181	797 Deep Purple	
		182 - 185	48 Rose Purple	
		186 - 189	345 Fuchsia Pink	
		190 - 193	795 Magical Magenta	
		194 - 197	128 Bright Pink	
		198 - 201	2 Rose Pink	
		202 - 207	User Color 1	
		208 - 213	User Color 2	
		214 - 219	User Color 3	
		220 - 225	User Color 4	
		226 - 231	User Color 5	
		232 - 237	User Color 6	
		238 - 243	User Color 7	
244 - 249	User Color 8			
250 - 255	No function			
15	Color Crossfade (affects CCT and Color Presets)	000 - 005	0s (Off)	Color
		006 - 105	0,1s - 10s (0,1s Steps)	
		106 - 214	11s - 119s (1s Steps)	
		215 - 244	2m - 4m50s (10s Steps)	
		245 - 255	5m - 15m (1m Steps)	
16	Device settings (All settings are executed after holding value for 3 seconds) (please read remark 1*)	000 - 024	No function	User Colors
		025 - 025	Record User Color 1	
		026 - 026	Record User Color 2	
		027 - 027	Record User Color 3	
		028 - 028	Record User Color 4	
		029 - 029	Record User Color 5	
		030 - 030	Record User Color 6	
		031 - 031	Record User Color 7	
		032 - 032	Record User Color 8	

16

Device settings (All settings are executed after holding value for 3 seconds) (please read remark 1\*)

033	-	057	No function	
058	-	059	Pixel Mirroring Off	Pixel Mirroring
060	-	061	Pixel Mirroring On	
062	-	073	No function	
074	-	075	Dimmer Response LED	Dimming
076	-	077	Dimmer Response Halogen	
078	-	081	No function	
082	-	083	DTW (Redshift) On	
084	-	085	DTW (Redshift) Off	
086	-	119	No function	
120	-	121	PWM 1 (650 Hz)	PWM Frequency
122	-	123	PWM 2 (1530 Hz)	
124	-	125	PWM 3 (3600 Hz)	
126	-	127	PWM 4 (12000 Hz)	
128	-	129	PWM 5 (18900 Hz)	
130	-	131	PWM 6 (25000 Hz)	
132	-	133	RAW	Color Calibration
134	-	135	Factory Calibration	
136	-	137	User Calibration	
138	-	139	Smart Calibration	Display Functions
140	-	141	Display Always On	
142	-	143	Display Off after 20s	
144	-	163	No function	
164	-	165	Dimmer Curve Linear	Dimmer Curve
166	-	167	Dimmer Curve Exponential	
168	-	169	Dimmer Curve Logarithmic	
170	-	171	Dimmer Curve S-Curve	
172	-	239	No function	
240	-	241	Load Factory Defaults	Load Default
242	-	243	Load Factory Defaults (without User Colours & Loops)	
244	-	245	Load User Default A	



16	Device settings (All settings are executed after holding value for 3 seconds) (please read remark 1*)	246	-	247	Load User Default B	Load Default
		248	-	249	Load User Default C	
		250	-	255	No function	

<b>PB 400 IP G2</b>						
<b>36CH Pattern</b>						
<b>Channel</b>	<b>Function</b>	<b>Values</b>			<b>Subgroup</b>	
1	Dimmer	000	-	255	0% to 100%	Dimmer
2	Dimmer fine	000	-	255	0% to 100%	
3	Strobe Functions	000	-	005	Open	Multi-functional Strobe
		006	-	010	Closed	
		011	-	022	Ramp up/down slow to fast	
		023	-	033	Ramp up/down random slow to fast	
		034	-	045	Ramp up slow to fast	
		046	-	056	Ramp up random slow to fast	
		057	-	068	Ramp down slow to fast	
		069	-	079	Ramp down random slow to fast	
		080	-	102	Random Strobe effect slow to fast	
		103	-	127	Strobe Break effect 5s to 1s (Short burst with break)	
		128	-	250	Strobe slow to fast (<1Hz to 20Hz)	
		251	-	255	Open	
4	Red	000	-	255	0% to 100%	Additive Color Mixing
5	Red fine	000	-	255		
6	Green	000	-	255		
7	Green fine	000	-	255		
8	Blue	000	-	255		
9	Blue fine	000	-	255		

ENGLISH	10	White	000 - 255	0% to 100%	Additive Color Mixing
	11	White fine	000 - 255		
DEUTSCH	12	Color Temperature (affects Color Mixing)	000 - 005	Off	CCT
			006 - 006	Warm white	
			007 - 046	Warm white to 2700K	
			047 - 047	Bulb White (2700K)	
			048 - 087	2700K to 3200K	
			088 - 088	Halogen White (3200K)	
			089 - 128	3200K to 4000K	
			129 - 129	Neutral White (4000K)	
			130 - 169	4000K to 5600K	
			170 - 170	Studio White (5600K)	
			171 - 210	5600K to 6500K	
			211 - 211	Daylight White (6500K)	
212 - 251	6500K to Cold white				
252 - 255	Cold white				
FRANCAIS	13	Tint (affects Color Tempera- ture)	000 - 000	Off	Tint
			001 - 127	Magenta -> Neutral	
			128 - 128	neutral	
			129 - 255	Neutral -> Green	
ESPAÑOL	14	Color Presets (override Color Mixing & Color Temperature)	000 - 005	No function	Color
			006 - 009	46 Dark Magenta	
			010 - 013	29 Plasa Red	
			014 - 017	26 Bright Red	
			018 - 021	127 Smokey Pink	
			022 - 025	36 Medium Pink	
			026 - 029	19 Fire	
			030 - 033	135 Deep Golden Amber	
			034 - 037	778 Millennium Gold	
			038 - 041	21 Gold Amber	
			042 - 045	157 Pink	
			046 - 049	110 Middle Rose	
050 - 053	109 Light Salmon				
POLSKI	14	Color Presets (override Color Mixing & Color Temperature)	000 - 005	No function	Color
			006 - 009	46 Dark Magenta	
			010 - 013	29 Plasa Red	
			014 - 017	26 Bright Red	
			018 - 021	127 Smokey Pink	
			022 - 025	36 Medium Pink	
			026 - 029	19 Fire	
			030 - 033	135 Deep Golden Amber	
			034 - 037	778 Millennium Gold	
			038 - 041	21 Gold Amber	
			042 - 045	157 Pink	
			046 - 049	110 Middle Rose	
050 - 053	109 Light Salmon				
ITALIANO	14	Color Presets (override Color Mixing & Color Temperature)	000 - 005	No function	Color
			006 - 009	46 Dark Magenta	
			010 - 013	29 Plasa Red	
			014 - 017	26 Bright Red	
			018 - 021	127 Smokey Pink	
			022 - 025	36 Medium Pink	
			026 - 029	19 Fire	
			030 - 033	135 Deep Golden Amber	
			034 - 037	778 Millennium Gold	
			038 - 041	21 Gold Amber	
			042 - 045	157 Pink	
			046 - 049	110 Middle Rose	
050 - 053	109 Light Salmon				
DMX	14	Color Presets (override Color Mixing & Color Temperature)	000 - 005	No function	Color
			006 - 009	46 Dark Magenta	
			010 - 013	29 Plasa Red	
			014 - 017	26 Bright Red	
			018 - 021	127 Smokey Pink	
			022 - 025	36 Medium Pink	
			026 - 029	19 Fire	
			030 - 033	135 Deep Golden Amber	
			034 - 037	778 Millennium Gold	
			038 - 041	21 Gold Amber	
			042 - 045	157 Pink	
			046 - 049	110 Middle Rose	
050 - 053	109 Light Salmon				

14	Color Presets (override Color Mixing & Color Temperature)	054 - 057	35 Light Pink	Color
		058 - 061	134 Golden Amber	
		062 - 065	17 Surprise Peach	
		066 - 069	746 Brown	
		070 - 073	105 Orange	
		074 - 077	20 Medium Amber	
		078 - 081	768 Egg Yolk Yellow	
		082 - 085	15 Deep Straw	
		086 - 089	767 Nectarine	
		090 - 093	101 Yellow	
		094 - 097	100 Spring Yellow	
		098 - 101	88 Lime Green	
		102 - 105	121 LEE Green	
		106 - 109	738 Jas Green	
		110 - 113	89 Moss Green	
		114 - 117	139 Primary Green	
		118 - 121	124 Dark Green	
		122 - 125	323 Jade	
		126 - 129	354 Special Steel Blue	
		130 - 133	116 Medium Blue-Green	
		134 - 137	183 Moonlight Blue	
		138 - 141	132 Medium Blue	
		142 - 145	119 Dark Blue	
		146 - 149	716 Mikkell Blue	
		150 - 153	71 Tokyo Blue	
		154 - 157	181 Congo Blue	
		158 - 161	799 Special KH Lavender	
		162 - 165	707 Ultimate Violet	
		166 - 169	343 Special Medium Lavender	
		170 - 173	798 Chrysalis Pink	
		174 - 177	701 Provence	
		178 - 181	797 Deep Purple	
182 - 185	48 Rose Purple			
186 - 189	345 Fuchsia Pink			
190 - 193	795 Magical Magenta			
194 - 197	128 Bright Pink			

ENGLISH	14	Color Presets (override Color Mixing & Color Temperature)	198 - 201	2 Rose Pink	Color
			202 - 207	User Color 1	
			208 - 213	User Color 2	
			214 - 219	User Color 3	
			220 - 225	User Color 4	
			226 - 231	User Color 5	
			232 - 237	User Color 6	
			238 - 243	User Color 7	
			244 - 249	User Color 8	
			250 - 255	No function	
DEUTSCH	15	Color Crossfade (affects CCT and Color Presets)	000 - 005	0s (Off)	Color
			006 - 105	0,1s - 10s (0,1s Steps)	
			106 - 214	11s - 119s (1s Steps)	
			215 - 244	2m - 4m50s (10s Steps)	
			245 - 255	5m - 15m (1m Steps)	
FRANCAIS	16	Pattern Folder	000 - 005	Off	Pattern
			006 - 064	Static Pattern 1	
			065 - 128	Static Pattern 2	
			129 - 192	Moving Pattern 1	
			193 - 255	Moving Pattern 2	
ESPAÑOL	17	Pattern Selection	000 - 005	Off	Pattern
			006 - 009	1	
			010 - 013	2	
			014 - 017	3	
			018 - 021	4	
			022 - 025	5	
			026 - 029	6	
			030 - 033	7	
			034 - 037	8	
			038 - 041	9	
			042 - 045	10	
			046 - 229	11 to 49	
			230 - 255	50	
POLSKI	18	Pattern Position & Speed	000 - 005	Effect Pattern Speed Stop	Pattern
			006 - 127	Effect Pattern Speed slow to fast	
ITALIANO	18	Pattern Position & Speed	000 - 005	Effect Pattern Speed Stop	Pattern
			006 - 127	Effect Pattern Speed slow to fast	
DMX	18	Pattern Position & Speed	000 - 005	Effect Pattern Speed Stop	Pattern
			006 - 127	Effect Pattern Speed slow to fast	

18	Pattern Position & Speed	128	-	255	Effect Pattern Speed fast to slow (backwards)	Pattern
19	Pattern Transition	000	-	005	0s (Off)	
		006	-	255	0,1s to 5s	
20	Pattern Fade/Wake Effect	000	-	005	Off	
		006	-	127	Fade 0% to 100%	
		128	-	255	Wake 0% to 100%	
21	Background Dimmer	000	-	255	0% to 100%	Background Dimmer
22	Background Dimmer fine	000	-	255	0% to 100%	
23	Background Strobe	000	-	005	Open	Background Strobe
		006	-	010	Closed	
		011	-	022	Ramp up/down slow to fast	
		023	-	033	Ramp up/down random slow to fast	
		034	-	045	Ramp up slow to fast	
		046	-	056	Ramp up random slow to fast	
		057	-	068	Ramp down slow to fast	
		069	-	079	Ramp down ran- dom slow to fast	
		080	-	102	Random Strobe effect slow to fast	
		103	-	127	Strobe Break effect 5s to 1s (Short burst with break)	
		128	-	250	Strobe slow to fast (<1Hz to 20Hz)	
		251	-	255	Open	
24	Background Red	000	-	255	Background Color Mixing	
25	Background Red fine	000	-	255		
26	Background Green	000	-	255		
27	Background Green fine	000	-	255		
28	Background Blue	000	-	255		
29	Background Blue fine	000	-	255		
30	Background White	000	-	255		
31	Background White fine	000	-	255		

32	Background Color Temperature (affects Background Color Mixing)	000 - 005	Off	Background Color Mixing
		006 - 006	Warm white	
		007 - 046	Warm white to 2700K	
		047 - 047	Bulb White (2700K)	
		048 - 087	2700K to 3200K	
		088 - 088	Halogen White (3200K)	
		089 - 128	3200K to 4000K	
		129 - 129	Neutral White (4000K)	
		130 - 169	4000K to 5600K	
		170 - 170	Studio White (5600K)	
		171 - 210	5600K to 6500K	
		211 - 211	Daylight White (6500K)	
		212 - 251	6500K to Cold white	
		252 - 255	Cold white	
33	Background Tint (affects Background Color Temperature)	000 - 000	Off	Background Color Mixing
		001 - 127	Magenta -> Neutral	
		128 - 128	neutral	
		129 - 255	Neutral -> Green	
34	Background Color Presets (override Background Color Mixing & Color Temperature)	000 - 005	No function	Background Color Mixing
		006 - 009	46 Dark Magenta	
		010 - 013	29 Plasa Red	
		014 - 017	26 Bright Red	
		018 - 021	127 Smokey Pink	
		022 - 025	36 Medium Pink	
		026 - 029	19 Fire	
		030 - 033	135 Deep Golden Amber	
		034 - 037	778 Millennium Gold	
		038 - 041	21 Gold Amber	
		042 - 045	157 Pink	
		046 - 049	110 Middle Rose	
		050 - 053	109 Light Salmon	
		054 - 057	35 Light Pink	
058 - 061	134 Golden Amber			

34	Background Color Presets (override Background Color Mixing & Color Temperature)	062 - 065	17 Surprise Peach	Background Color Mixing
		066 - 069	746 Brown	
		070 - 073	105 Orange	
		074 - 077	20 Medium Amber	
		078 - 081	768 Egg Yolk Yellow	
		082 - 085	15 Deep Straw	
		086 - 089	767 Nectarine	
		090 - 093	101 Yellow	
		094 - 097	100 Spring Yellow	
		098 - 101	88 Lime Green	
		102 - 105	121 LEE Green	
		106 - 109	738 Jas Green	
		110 - 113	89 Moss Green	
		114 - 117	139 Primary Green	
		118 - 121	124 Dark Green	
		122 - 125	323 Jade	
		126 - 129	354 Special Steel Blue	
		130 - 133	116 Medium Blue-Green	
		134 - 137	183 Moonlight Blue	
		138 - 141	132 Medium Blue	
		142 - 145	119 Dark Blue	
		146 - 149	716 Mikkell Blue	
		150 - 153	71 Tokyo Blue	
		154 - 157	181 Congo Blue	
		158 - 161	799 Special KH Lavender	
		162 - 165	707 Ultimate Violet	
		166 - 169	343 Special Medium Lavender	
		170 - 173	798 Chrysalis Pink	
		174 - 177	701 Provence	
		178 - 181	797 Deep Purple	
		182 - 185	48 Rose Purple	
		186 - 189	345 Fuchsia Pink	
190 - 193	795 Magical Magenta			
194 - 197	128 Bright Pink			
198 - 201	2 Rose Pink			
202 - 207	User Color 1			

34	Background Color Presets (override Background Color Mixing & Color Temperature)	208 - 213	User Color 2	Background Color Mixing	
		214 - 219	User Color 3		
		220 - 225	User Color 4		
		226 - 231	User Color 5		
		232 - 237	User Color 6		
		238 - 243	User Color 7		
		244 - 249	User Color 8		
35	Background Color Crossfade (affects Background CCT and Color Presets)	250 - 255	No function	Background Color Mixing	
		000 - 005	0s (Off)		
		006 - 105	0,1s - 10s (0,1s Steps)		
		106 - 214	11s - 119s (1s Steps)		
		215 - 244	2m - 4m50s (10s Steps)		
245 - 255	5m - 15m (1m Steps)				
36	Device settings (All settings are executed after holding value for 3 seconds) (please read remark 1*)	000 - 024	No function	User Colors	
		025 - 025	Record User Color 1		
		026 - 026	Record User Color 2		
		027 - 027	Record User Color 3		
		028 - 028	Record User Color 4		
		029 - 029	Record User Color 5		
		030 - 030	Record User Color 6		
		031 - 031	Record User Color 7		
		032 - 032	Record User Color 8		
		033 - 057	No function		
		058 - 059	Pixel Mirroring Off		Pixel Mirroring
		060 - 061	Pixel Mirroring On		
		062 - 073	No function		Dimming
074 - 075	Dimmer Response LED				
076 - 077	Dimmer Response Halogen				
078 - 081	No function				



36	Device settings (All settings are executed after holding value for 3 seconds) (please read remark 1*)	082 - 083	DTW (Redshift) On	Dimming
		084 - 085	DTW (Redshift) Off	
		086 - 119	No function	
		120 - 121	PWM 1 (650 Hz)	PWM Frequency
		122 - 123	PWM 2 (1530 Hz)	
		124 - 125	PWM 3 (3600 Hz)	
		126 - 127	PWM 4 (12000 Hz)	
		128 - 129	PWM 5 (18900 Hz)	
		130 - 131	PWM 6 (25000 Hz)	
		132 - 133	RAW	Color Calibration
		134 - 135	Factory Calibration	
		136 - 137	User Calibration	
		138 - 139	Smart Calibration	
		140 - 141	Display Always On	Display Functions
		142 - 143	Display Off after 20s	
		144 - 163	No function	
		164 - 165	Dimmer Curve Linear	Dimmer Curve
		166 - 167	Dimmer Curve Exponential	
		168 - 169	Dimmer Curve Logarithmic	
		170 - 171	Dimmer Curve S-Curve	
		172 - 239	No function	
		240 - 241	Load Factory Defaults	Load Default
		242 - 243	Load Factory Defaults (without User Colours & Loops)	
		244 - 245	Load User Default A	
		246 - 247	Load User Default B	
248 - 249	Load User Default C			
250 - 255	No function			

**PB 400 IP G2****48CH Pixel RGB**

<b>Channel</b>	<b>Function</b>	<b>Values</b>			<b>Subgroup</b>	
1	Red 1	000	-	255	0% to 100%	Color Mixing Pixel 1
2	Green 1	000	-	255	0% to 100%	
3	Blue 1	000	-	255	0% to 100%	
4	Red 2	000	-	255	0% to 100%	Color Mixing Pixel 2
5	Green 2	000	-	255	0% to 100%	
6	Blue 2	000	-	255	0% to 100%	
7	Red 3	000	-	255	0% to 100%	Color Mixing Pixel 3
8	Green 3	000	-	255	0% to 100%	
9	Blue 3	000	-	255	0% to 100%	
10	Red 4	000	-	255	0% to 100%	Color Mixing Pixel 4
11	Green 4	000	-	255	0% to 100%	
12	Blue 4	000	-	255	0% to 100%	
13	Red 5	000	-	255	0% to 100%	Color Mixing Pixel 5
14	Green 5	000	-	255	0% to 100%	
15	Blue 5	000	-	255	0% to 100%	
16	Red 6	000	-	255	0% to 100%	Color Mixing Pixel 6
17	Green 6	000	-	255	0% to 100%	
18	Blue 6	000	-	255	0% to 100%	
19	Red 7	000	-	255	0% to 100%	Color Mixing Pixel 7
20	Green 7	000	-	255	0% to 100%	
21	Blue 7	000	-	255	0% to 100%	
22	Red 8	000	-	255	0% to 100%	Color Mixing Pixel 8
23	Green 8	000	-	255	0% to 100%	
24	Blue 8	000	-	255	0% to 100%	
25	Red 9	000	-	255	0% to 100%	Color Mixing Pixel 9
26	Green 9	000	-	255	0% to 100%	
27	Blue 9	000	-	255	0% to 100%	
28	Red 10	000	-	255	0% to 100%	Color Mixing Pixel 10
29	Green 10	000	-	255	0% to 100%	
30	Blue 10	000	-	255	0% to 100%	
31	Red 11	000	-	255	0% to 100%	Color Mixing Pixel 11
32	Green 11	000	-	255	0% to 100%	
33	Blue 11	000	-	255	0% to 100%	
34	Red 12	000	-	255	0% to 100%	Color Mixing Pixel 12
35	Green 12	000	-	255	0% to 100%	
36	Blue 12	000	-	255	0% to 100%	

37	Red 13	000	-	255	0% to 100%	Color Mixing Pixel 13
38	Green 13	000	-	255	0% to 100%	
39	Blue 13	000	-	255	0% to 100%	
40	Red 14	000	-	255	0% to 100%	Color Mixing Pixel 14
41	Green 14	000	-	255	0% to 100%	
42	Blue 14	000	-	255	0% to 100%	
43	Red 15	000	-	255	0% to 100%	Color Mixing Pixel 15
44	Green 15	000	-	255	0% to 100%	
45	Blue 15	000	-	255	0% to 100%	
46	Red 16	000	-	255	0% to 100%	Color Mixing Pixel 16
47	Green 16	000	-	255	0% to 100%	
48	Blue 16	000	-	255	0% to 100%	

<b>PB 400 IP G2</b>							
<b>64CH Pixel RGBW</b>	<b>68CH Pixel Dim</b>						
<b>Channel</b>	<b>Channel</b>	<b>Function</b>	<b>Values</b>			<b>Subgroup</b>	
	1	Dimmer	000	-	255	0% to 100%	Dimmer
	2	Dimmer fine	000	-	255	0% to 100%	
	3	Strobe Functions	000	-	005	Open	Multifunctional Strobe
			006	-	010	Closed	
			011	-	022	Ramp up/down slow to fast	
			023	-	033	Ramp up/down random slow to fast	
			034	-	045	Ramp up slow to fast	
			046	-	056	Ramp up random slow to fast	
			057	-	068	Ramp down slow to fast	
			069	-	079	Ramp down random slow to fast	
			080	-	102	Random Strobe effect slow to fast	
			103	-	127	Strobe Break effect 5s to 1s (Short burst with break)	
			128	-	250	Strobe slow to fast (<1Hz to 20Hz)	
	251	-	255	Open			

4	Device settings (All settings are executed after holding value for 3 seconds) (please read remark 1*)	000 - 024	No function	
		025 - 025	Record User Color 1	User Colors
		026 - 026	Record User Color 2	
		027 - 027	Record User Color 3	
		028 - 028	Record User Color 4	
		029 - 029	Record User Color 5	
		030 - 030	Record User Color 6	
		031 - 031	Record User Color 7	
		032 - 032	Record User Color 8	
		033 - 057	No function	
		058 - 059	Pixel Mirroring Off	Pixel Mirroring
		060 - 061	Pixel Mirroring On	
		062 - 073	No function	
		074 - 075	Dimmer Response LED	Dimming
		076 - 077	Dimmer Response Halogen	
		078 - 081	No function	
		082 - 083	DTW (Redshift) On	
		084 - 085	DTW (Redshift) Off	
		086 - 119	No function	
		120 - 121	PWM 1 (650 Hz)	PWM Frequency
		122 - 123	PWM 2 (1530 Hz)	
		124 - 125	PWM 3 (3600 Hz)	
		126 - 127	PWM 4 (12000 Hz)	
		128 - 129	PWM 5 (18900 Hz)	
		130 - 131	PWM 6 (25000 Hz)	
		132 - 133	RAW	Color Calibration
		134 - 135	Factory Calibration	
		136 - 137	User Calibration	
138 - 139	Smart Calibration			
140 - 141	Display Always On	Display Functions		
142 - 143	Display Off after 20s			
144 - 163	No function			
164 - 165	Dimmer Curve Linear	Dimmer Curve		
166 - 167	Dimmer Curve Exponential			
168 - 169	Dimmer Curve Logarithmic			
170 - 171	Dimmer Curve S-Curve			
172 - 239	No function			
240 - 241	Load Factory Defaults	Load Default		

4		Device settings (All settings are executed after holding value for 3 seconds) (please read remark 1*)	242	-	243	Load Factory Defaults (without User Colours & Loops)	Load Default
			244	-	245	Load User Default A	
			246	-	247	Load User Default B	
			248	-	249	Load User Default C	
			250	-	255	No function	
1	5	Red 1	000	-	255	0% to 100%	Color Mixing Pixel 1
2	6	Green 1	000	-	255	0% to 100%	
3	7	Blue 1	000	-	255	0% to 100%	
4	8	White 1	000	-	255	0% to 100%	
5	9	Red 2	000	-	255	0% to 100%	Color Mixing Pixel 2
6	10	Green 2	000	-	255	0% to 100%	
7	11	Blue 2	000	-	255	0% to 100%	
8	12	White 2	000	-	255	0% to 100%	
9	13	Red 3	000	-	255	0% to 100%	Color Mixing Pixel 3
10	14	Green 3	000	-	255	0% to 100%	
11	15	Blue 3	000	-	255	0% to 100%	
12	16	White 3	000	-	255	0% to 100%	
13	17	Red 4	000	-	255	0% to 100%	Color Mixing Pixel 4
14	18	Green 4	000	-	255	0% to 100%	
15	19	Blue 4	000	-	255	0% to 100%	
16	20	White 4	000	-	255	0% to 100%	
17	21	Red 5	000	-	255	0% to 100%	Color Mixing Pixel 5
18	22	Green 5	000	-	255	0% to 100%	
19	23	Blue 5	000	-	255	0% to 100%	
20	24	White 5	000	-	255	0% to 100%	
21	25	Red 6	000	-	255	0% to 100%	Color Mixing Pixel 6
22	26	Green 6	000	-	255	0% to 100%	
23	27	Blue 6	000	-	255	0% to 100%	
24	28	White 6	000	-	255	0% to 100%	
25	29	Red 7	000	-	255	0% to 100%	Color Mixing Pixel 7
26	30	Green 7	000	-	255	0% to 100%	
27	31	Blue 7	000	-	255	0% to 100%	
28	32	White 7	000	-	255	0% to 100%	
29	33	Red 8	000	-	255	0% to 100%	Color Mixing Pixel 8
30	34	Green 8	000	-	255	0% to 100%	
31	35	Blue 8	000	-	255	0% to 100%	
32	36	White 8	000	-	255	0% to 100%	

ENGLISH	33	37	Red 9	000	-	255	0% to 100%	Color Mixing Pixel 9
	34	38	Green 9	000	-	255	0% to 100%	
	35	39	Blue 9	000	-	255	0% to 100%	
	36	40	White 9	000	-	255	0% to 100%	
DEUTSCH	37	41	Red 10	000	-	255	0% to 100%	Color Mixing Pixel 10
	38	42	Green 10	000	-	255	0% to 100%	
	39	43	Blue 10	000	-	255	0% to 100%	
	40	44	White 10	000	-	255	0% to 100%	
FRANCAIS	41	45	Red 11	000	-	255	0% to 100%	Color Mixing Pixel 11
	42	46	Green 11	000	-	255	0% to 100%	
	43	47	Blue 11	000	-	255	0% to 100%	
	44	48	White 11	000	-	255	0% to 100%	
ESPANOL	45	49	Red 12	000	-	255	0% to 100%	Color Mixing Pixel 12
	46	50	Green 12	000	-	255	0% to 100%	
	47	51	Blue 12	000	-	255	0% to 100%	
	48	52	White 12	000	-	255	0% to 100%	
POLSKI	49	53	Red 13	000	-	255	0% to 100%	Color Mixing Pixel 13
	50	54	Green 13	000	-	255	0% to 100%	
	51	55	Blue 13	000	-	255	0% to 100%	
	52	56	White 13	000	-	255	0% to 100%	
ITALIANO	53	57	Red 14	000	-	255	0% to 100%	Color Mixing Pixel 14
	54	58	Green 14	000	-	255	0% to 100%	
	55	59	Blue 14	000	-	255	0% to 100%	
	56	60	White 14	000	-	255	0% to 100%	
DMX	57	61	Red 15	000	-	255	0% to 100%	Color Mixing Pixel 15
	58	62	Green 15	000	-	255	0% to 100%	
	59	63	Blue 15	000	-	255	0% to 100%	
	60	64	White 15	000	-	255	0% to 100%	
	61	65	Red 16	000	-	255	0% to 100%	Color Mixing Pixel 16
	62	66	Green 16	000	-	255	0% to 100%	
	63	67	Blue 16	000	-	255	0% to 100%	
	64	68	White 16	000	-	255	0% to 100%	

PB 400 IP G2								
D2CH Dim UC1	D4CH Preset	D7CH Direct						
Channel	Channel	Channel	Function	Values				
1 Color = Stand Alone Mode - Color Pre-set - User Color 1	1	1	Dimmer	000 - 255	0% to 100%			
				2	2	Strobe Functions	000 - 005	Open
							006 - 010	Closed
	011 - 022	Ramp up/down slow to fast						
	023 - 033	Ramp up/down random slow to fast						
	034 - 045	Ramp up slow to fast						
	046 - 056	Ramp up random slow to fast						
	057 - 068	Ramp down slow to fast						
	069 - 079	Ramp down random slow to fast						
	080 - 102	Random Strobe effect slow to fast						
	103 - 127	Strobe Break effect 5s to 1s (Short burst with break)						
	128 - 250	Strobe slow to fast (<1Hz to 20Hz)						
251 - 255	Open							
		3	Red	000 - 255	0% to 100%			
		4	Green	000 - 255	0% to 100%			
		5	Blue	000 - 255	0% to 100%			
		6	White	000 - 255	0% to 100%			
3			Color Pre-sets (override Color Mixing)	000 - 005	No function			
				006 - 009	46 Dark Magenta			
				010 - 013	29 Plasa Red			
				014 - 017	26 Bright Red			
				018 - 021	127 Smokey Pink			
				022 - 025	36 Medium Pink			
				026 - 029	19 Fire			
				030 - 033	135 Deep Golden Amber			
				034 - 037	778 Millennium Gold			
				038 - 041	21 Gold Amber			
				042 - 045	157 Pink			
				046 - 049	110 Middle Rose			
				050 - 053	109 Light Salmon			
				054 - 057	35 Light Pink			
058 - 061	134 Golden Amber							

ENGLISH

DEUTSCH

FRANCAIS

ESPAÑOL

POLSKI

ITALIANO

DMX

3

Color Pre-sets (override Color Mixing)

062	-	065	17 Surprise Peach
066	-	069	746 Brown
070	-	073	105 Orange
074	-	077	20 Medium Amber
078	-	081	768 Egg Yolk Yellow
082	-	085	15 Deep Straw
086	-	089	767 Nectarine
090	-	093	101 Yellow
094	-	097	100 Spring Yellow
098	-	101	88 Lime Green
102	-	105	121 LEE Green
106	-	109	738 Jas Green
110	-	113	89 Moss Green
114	-	117	139 Primary Green
118	-	121	124 Dark Green
122	-	125	323 Jade
126	-	129	354 Special Steel Blue
130	-	133	116 Medium Blue-Green
134	-	137	183 Moonlight Blue
138	-	141	132 Medium Blue
142	-	145	119 Dark Blue
146	-	149	716 Mikkell Blue
150	-	153	71 Tokyo Blue
154	-	157	181 Congo Blue
158	-	161	799 Special KH Lavender
162	-	165	707 Ultimate Violet
166	-	169	343 Special Medium Lavender
170	-	173	798 Chrysalis Pink
174	-	177	701 Provence
178	-	181	797 Deep Purple
182	-	185	48 Rose Purple
186	-	189	345 Fuchsia Pink
190	-	193	795 Magical Magenta
194	-	197	128 Bright Pink
198	-	201	2 Rose Pink
202	-	207	User Color 1
208	-	213	User Color 2
214	-	219	User Color 3
220	-	225	User Color 4
226	-	231	User Color 5
232	-	237	User Color 6



	3		Color Pre-sets (override Color Mixing)	238	-	243	User Color 7
				244	-	249	User Color 8
				250	-	255	No function
2	4	7	DMX Delay	000	-	005	Off (no delay)
				006	-	255	0,1s to 2,0s

PB 600 IP G2							
1CH							
Dim UC1							
Channel	Function	Values					
1 (Color = Stand Alone Mode - Color Pre-set - User Color 1)	Dimmer	000	-	255	0% to 100%		

PB 600 IPG2							
3CH							
Preset							
Channel	Function	Values					
1	Dimmer	000	-	255	0% to 100%		
2	Strobe Functions	000	-	005	Open		
		006	-	010	Closed		
		011	-	022	Ramp up/down slow to fast		
		023	-	033	Ramp up/down random slow to fast		
		034	-	045	Ramp up slow to fast		
		046	-	056	Ramp up random slow to fast		
		057	-	068	Ramp down slow to fast		
		069	-	079	Ramp down random slow to fast		
		080	-	102	Random Strobe effect slow to fast		
		103	-	127	Strobe Break effect 5s to 1s (Short burst with break)		
3	Color Presets	128	-	250	Strobe slow to fast (<1Hz to 20Hz)		
		251	-	255	Open		
		000	-	005	No function		
		006	-	009	46 Dark Magenta		
		010	-	013	29 Plasa Red		
		014	-	017	26 Bright Red		

3

## Color Presets

018	-	021	127 Smokey Pink
022	-	025	36 Medium Pink
026	-	029	19 Fire
030	-	033	135 Deep Golden Amber
034	-	037	778 Millennium Gold
038	-	041	21 Gold Amber
042	-	045	157 Pink
046	-	049	110 Middle Rose
050	-	053	109 Light Salmon
054	-	057	35 Light Pink
058	-	061	134 Golden Amber
062	-	065	17 Surprise Peach
066	-	069	746 Brown
070	-	073	105 Orange
074	-	077	20 Medium Amber
078	-	081	768 Egg Yolk Yellow
082	-	085	15 Deep Straw
086	-	089	767 Nectarine
090	-	093	101 Yellow
094	-	097	100 Spring Yellow
098	-	101	88 Lime Green
102	-	105	121 LEE Green
106	-	109	738 Jas Green
110	-	113	89 Moss Green
114	-	117	139 Primary Green
118	-	121	124 Dark Green
122	-	125	323 Jade
126	-	129	354 Special Steel Blue
130	-	133	116 Medium Blue-Green
134	-	137	183 Moonlight Blue
138	-	141	132 Medium Blue
142	-	145	119 Dark Blue
146	-	149	716 Mikkel Blue
150	-	153	71 Tokyo Blue
154	-	157	181 Congo Blue
158	-	161	799 Special KH Lavender
162	-	165	707 Ultimate Violet
166	-	169	343 Special Medium Lavender
170	-	173	798 Chrysalis Pink
174	-	177	701 Provence
178	-	181	797 Deep Purple
182	-	185	48 Rose Purple

3	Color Presets	186	-	189	345 Fuchsia Pink
		190	-	193	795 Magical Magenta
		194	-	197	128 Bright Pink
		198	-	201	2 Rose Pink
		202	-	207	User Color 1
		208	-	213	User Color 2
		214	-	219	User Color 3
		220	-	225	User Color 4
		226	-	231	User Color 5
		232	-	237	User Color 6
		238	-	243	User Color 7
		244	-	249	User Color 8
		250	-	255	No function

PB 600 IPG2						
6CH	12CH					
Direct	Direct 16Bit					
Channel	Channel	Function	Values			
1	1	Red	000	-	255	0% to 100%
	2	Red fine	000	-	255	0% to 100%
2	3	Green	000	-	255	0% to 100%
	4	Green fine	000	-	255	0% to 100%
3	5	Blue	000	-	255	0% to 100%
	6	Blue fine	000	-	255	0% to 100%
4	7	White	000	-	255	0% to 100%
	8	White fine	000	-	255	0% to 100%
5	9	Amber	000	-	255	0% to 100%
	10	Amber fine	000	-	255	0% to 100%
6	11	UV	000	-	255	0% to 100%
	12	UV fine	000	-	255	0% to 100%

PB 600 IPG2						
9CH	12CH					
Direct Control	Direct CCT					
Channel	Channel	Function	Values			Subgroup
1	1	Dimmer	000	-	255	0% to 100%
2	2	Dimmer fine	000	-	255	0% to 100%
	3	Strobe Functions	000	-	005	Open
						Multi-functional Strobe

ENGLISH	3	Strobe Functions	006 - 010	Closed	Multi-functional Strobe
			011 - 022	Ramp up/down slow to fast	
			023 - 033	Ramp up/down random slow to fast	
			034 - 045	Ramp up slow to fast	
			046 - 056	Ramp up random slow to fast	
			057 - 068	Ramp down slow to fast	
			069 - 079	Ramp down random slow to fast	
			080 - 102	Random Strobe effect slow to fast	
			103 - 127	Strobe Break effect 5s to 1s (Short burst with break)	
			128 - 250	Strobe slow to fast (<1Hz to 20Hz)	
251 - 255	Open				
3	4	Red	000 - 255	0% to 100%	Additive Color Mixing
4	5	Green	000 - 255	0% to 100%	
5	6	Blue	000 - 255	0% to 100%	
6	7	White	000 - 255	0% to 100%	
7	8	Amber	000 - 255	0% to 100%	
8	9	UV	000 - 255	0% to 100%	
ITALIANO	10	Color Temperature (affects Color Mixing)	000 - 005	Off	CCT
			006 - 006	Warm white	
			007 - 046	Warm white to 2700K	
			047 - 047	Bulb White (2700K)	
			048 - 087	2700K to 3200K	
			088 - 088	Halogen White (3200K)	
			089 - 128	3200K to 4000K	
DEUTSCH	3	Strobe Functions	006 - 010	Closed	Multi-functional Strobe
			011 - 022	Ramp up/down slow to fast	
			023 - 033	Ramp up/down random slow to fast	
			034 - 045	Ramp up slow to fast	
			046 - 056	Ramp up random slow to fast	
			057 - 068	Ramp down slow to fast	
			069 - 079	Ramp down random slow to fast	
			080 - 102	Random Strobe effect slow to fast	
			103 - 127	Strobe Break effect 5s to 1s (Short burst with break)	
			128 - 250	Strobe slow to fast (<1Hz to 20Hz)	
251 - 255	Open				
FRANCAIS	3	Strobe Functions	006 - 010	Closed	Multi-functional Strobe
			011 - 022	Ramp up/down slow to fast	
			023 - 033	Ramp up/down random slow to fast	
			034 - 045	Ramp up slow to fast	
			046 - 056	Ramp up random slow to fast	
			057 - 068	Ramp down slow to fast	
POLSKI	3	Strobe Functions	006 - 010	Closed	Multi-functional Strobe
			011 - 022	Ramp up/down slow to fast	
			023 - 033	Ramp up/down random slow to fast	
			034 - 045	Ramp up slow to fast	
			046 - 056	Ramp up random slow to fast	
			057 - 068	Ramp down slow to fast	
DMX	3	Strobe Functions	006 - 010	Closed	Multi-functional Strobe
			011 - 022	Ramp up/down slow to fast	
			023 - 033	Ramp up/down random slow to fast	
			034 - 045	Ramp up slow to fast	
			046 - 056	Ramp up random slow to fast	
			057 - 068	Ramp down slow to fast	

	10	Color Temperature (affects Color Mixing)	129	-	129	Neutral White (4000K)	CCT
			130	-	169	4000K to 5600K	
			170	-	170	Studio White (5600K)	
			171	-	210	5600K to 6500K	
			211	-	211	Daylight White (6500K)	
			212	-	251	6500K to Cold white	
			252	-	255	Cold white	
	11	Tint (affects Color Temperature)	000	-	000	Off	Tint
			001	-	127	Magenta -> Neutral	
			128	-	128	Neutral	
9	12	Device settings (All settings are executed after holding value for 3 seconds) (please read remark 1*)	000	-	024	No function	User Colors
			025	-	025	Record User Color/User Preset 1	
			026	-	026	Record User Color/User Preset 2	
			027	-	027	Record User Color/User Preset 3	
			028	-	028	Record User Color/User Preset 4	
			029	-	029	Record User Color/User Preset 5	
			030	-	030	Record User Color/User Preset 6	
			031	-	031	Record User Color/User Preset 7	
			032	-	032	Record User Color/User Preset 8	
			033	-	057	No function	

ENGLISH				058	-	059	Pixel Direction Mirroring Off	Pixel Mirroring
				060	-	061	Pixel Direction Mirroring On	
				062	-	073	No function	
				074	-	075	Dimmer Re- sponse LED	Dimming
				076	-	077	Dimmer Re- sponse Halogen	
				078	-	081	No function	
				082	-	083	DTW (Redshift) On	
				084	-	085	DTW (Redshift) Off	
				086	-	119	No function	
				120	-	121	PWM 1 (650 Hz)	PWM Frequency
				122	-	123	PWM 2 (1530 Hz)	
				124	-	125	PWM 3 (3600 Hz)	
				126	-	127	PWM 4 (12000 Hz)	
				128	-	129	PWM 5 (18900 Hz)	
				130	-	131	PWM 6 (25000 Hz)	
				132	-	133	RAW	Color Calibration
				134	-	135	Factory Calibra- tion	
				136	-	137	User Calibration	
				138	-	139	Smart Calibra- tion	
				140	-	141	Display Always On	Display Functions
				142	-	143	Display Off after 20s	
				144	-	163	No function	
				164	-	165	Dimmer Curve Linear	Dimmer Curve
				166	-	167	Dimmer Curve Exponential	
				168	-	169	Dimmer Curve Logarithmic	

9

12

Device settings (All settings are executed after holding value for 3 seconds) (please read remark 1\*)

9	12	Device settings (All settings are executed after holding value for 3 seconds) (please read remark 1*)	170	-	171	Dimmer Curve S-Curve	Dimmer Curve
			172	-	239	No function	
			240	-	241	Load Factory Defaults	Load Default
			242	-	243	Load Factory Defaults (without User Colours & Loops)	
			244	-	245	Load User Default A	
			246	-	247	Load User Default B	
			248	-	249	Load User Default C	
			250	-	255	No function	

PB 600 IPG2							
13CH							
Effect Pattern							
Channel	Function	Values				Subgroup	
1	Dimmer	000	-	255	0% to 100%		Dimmer
2	Dimmer fine	000	-	255	0% to 100%		
3	Strobe Functions	000	-	005	Open		Multi-functional Strobe
		006	-	010	Closed		
		011	-	022	Ramp up/down slow to fast		
		023	-	033	Ramp up/down random slow to fast		
		034	-	045	Ramp up slow to fast		
		046	-	056	Ramp up random slow to fast		
		057	-	068	Ramp down slow to fast		
		069	-	079	Ramp down random slow to fast		
		080	-	102	Random Strobe effect slow to fast		
		103	-	127	Strobe Break effect 5s to 1s (Short burst with break)		
128	-	250	Strobe slow to fast (<1Hz to 20Hz)				

ENGLISH	3	Strobe Functions	251	-	255	Open	Multi-functional Strobe
	4	Red	000	-	255	0% to 100%	Additive Color Mixing
	5	Green	000	-	255	0% to 100%	
6	Blue	000	-	255	0% to 100%		
7	White	000	-	255	0% to 100%		
8	Amber	000	-	255	0% to 100%		
9	UV	000	-	255	0% to 100%		
DEUTSCH	10	Color Presets (override Color Mixing)	000	-	005	No function	Color
			006	-	009	46 Dark Magenta	
			010	-	013	29 Plasa Red	
014			-	017	26 Bright Red		
018			-	021	127 Smokey Pink		
022			-	025	36 Medium Pink		
026			-	029	19 Fire		
030			-	033	135 Deep Golden Amber		
034			-	037	778 Millennium Gold		
038			-	041	21 Gold Amber		
042			-	045	157 Pink		
046			-	049	110 Middle Rose		
050			-	053	109 Light Salmon		
054			-	057	35 Light Pink		
058			-	061	134 Golden Amber		
062			-	065	17 Surprise Peach		
066			-	069	746 Brown		
070			-	073	105 Orange		
074			-	077	20 Medium Amber		
078			-	081	768 Egg Yolk Yellow		
082	-	085	15 Deep Straw				
086	-	089	767 Nectarine				
090	-	093	101 Yellow				
094	-	097	100 Spring Yellow				
098	-	101	88 Lime Green				
102	-	105	121 LEE Green				
106	-	109	738 Jas Green				
110	-	113	89 Moss Green				
114	-	117	139 Primary Green				
118	-	121	124 Dark Green				
122	-	125	323 Jade				
126	-	129	354 Special Steel Blue				
130	-	133	116 Medium Blue-Green				
FRANCAIS							
ESPAÑOL							
POLSKI							
ITALIANO							
DMX							



10	Color Presets (override Color Mixing)	134 - 137	183 Moonlight Blue	Color
		138 - 141	132 Medium Blue	
		142 - 145	119 Dark Blue	
		146 - 149	716 Mikkell Blue	
		150 - 153	71 Tokyo Blue	
		154 - 157	181 Congo Blue	
		158 - 161	799 Special KH Lavender	
		162 - 165	707 Ultimate Violet	
		166 - 169	343 Special Medium Lavender	
		170 - 173	798 Chrysalis Pink	
		174 - 177	701 Provence	
		178 - 181	797 Deep Purple	
		182 - 185	48 Rose Purple	
		186 - 189	345 Fuchsia Pink	
		190 - 193	795 Magical Magenta	
		194 - 197	128 Bright Pink	
		198 - 201	2 Rose Pink	
		202 - 207	User Color 1	
		208 - 213	User Color 2	
		214 - 219	User Color 3	
		220 - 225	User Color 4	
		226 - 231	User Color 5	
		232 - 237	User Color 6	
238 - 243	User Color 7			
244 - 249	User Color 8			
250 - 255	No function			
11	Pattern Selection	000 - 005	Off	Effect Pattern
		006 - 009	Pattern 1	
		010 - 013	Pattern 2	
		014 - 017	Pattern 3	
		018 - 021	Pattern 4	
		022 - 025	Pattern 5	
		026 - 029	Pattern 6	
		030 - 033	Pattern 7	
		034 - 037	Pattern 8	
		038 - 041	Pattern 9	
		042 - 045	Pattern 10	
		046 - 049	Pattern 11	
		050 - 053	Pattern 12	
		054 - 057	Pattern 13	
		058 - 061	Pattern 14	

ENGLISH	11	Pattern Selection	062 - 065	Pattern 15	Effect Pattern			
			066 - 069	Pattern 16				
			070 - 073	Pattern 17				
			074 - 077	Pattern 18				
			078 - 081	Pattern 19				
			082 - 255	All LEDs on				
DEUTSCH	12	Pattern Position & Speed	000 - 005	Effect Pattern Speed Stop				
			006 - 127	Effect Pattern Speed slow to fast				
			128 - 255	Effect Pattern Speed fast to slow (backwards)				
FRANCAIS	13	Device settings (All settings are executed after holding value for 3 seconds) (please read remark 1*)	000 - 024	No function	User Colors			
			025 - 025	Record User Color/User Preset 1				
			026 - 026	Record User Color/User Preset 2				
			027 - 027	Record User Color/User Preset 3				
			028 - 028	Record User Color/User Preset 4				
			029 - 029	Record User Color/User Preset 5				
			030 - 030	Record User Color/User Preset 6				
			031 - 031	Record User Color/User Preset 7				
			032 - 032	Record User Color/User Preset 8				
			033 - 057	No function	Pixel Mirroring			
			058 - 059	Pixel Direction Mirroring Off				
			060 - 061	Pixel Direction Mirroring On				
			ESPAÑOL			062 - 073	No function	Dimming
						074 - 075	Dimmer Response LED	
						076 - 077	Dimmer Response Halogen	
						078 - 081	No function	
082 - 083	DTW (Redshift) On							
084 - 085	DTW (Redshift) Off							
086 - 119	No function							
120 - 121	PWM 1 (650 Hz)	PWM Frequency						
122 - 123	PWM 2 (1530 Hz)							
124 - 125	PWM 3 (3600 Hz)							
126 - 127	PWM 4 (12000 Hz)							
POLSKI								
ITALIANO								
DMX								

13	Device settings (All settings are executed after holding value for 3 seconds) (please read remark 1*)	128	-	129	PWM 5 (18900 Hz)	PWM Frequency
		130	-	131	PWM 6 (25000 Hz)	
		132	-	133	RAW	Color Calibration
		134	-	135	Factory Calibration	
		136	-	137	User Calibration	
		138	-	139	Smart Calibration	
		140	-	141	Display Always On	Display Functions
		142	-	143	Display Off after 20s	
		144	-	163	No function	Dimmer Curve
		164	-	165	Dimmer Curve Linear	
		166	-	167	Dimmer Curve Exponential	
		168	-	169	Dimmer Curve Logarithmic	
		170	-	171	Dimmer Curve S-Curve	
		172	-	239	No function	Load Default
		240	-	241	Load Factory Defaults	
		242	-	243	Load Factory Defaults (without User Colours & Loops)	
		244	-	245	Load User Default A	
		246	-	247	Load User Default B	
248	-	249	Load User Default C			
250	-	255	No function			

PB 600 IPG2						
20CH						
Wash						
Channel	Function	Values			Subgroup	
1	Dimmer	000	-	255	0% to 100%	Dimmer
2	Dimmer fine	000	-	255	0% to 100%	
3	Strobe Functions	000	-	005	Open	Multi-functional Strobe
		006	-	010	Closed	
		011	-	022	Ramp up/down slow to fast	
		023	-	033	Ramp up/down random slow to fast	
		034	-	045	Ramp up slow to fast	
		046	-	056	Ramp up random slow to fast	
		057	-	068	Ramp down slow to fast	
		069	-	079	Ramp down random slow to fast	
080	-	102	Random Strobe effect slow to fast			

ENGLISH	3	Strobe Functions	103	-	127	Strobe Break effect 5s to 1s (Short burst with break)	Multi-functional Strobe	
			128	-	250	Strobe slow to fast (<1Hz to 20Hz)		
			251	-	255	Open		
DEUTSCH FRANCAIS ESPAÑOL POLSKI ITALIANO	4	Red	000	-	255	0% to 100%	Additive Color Mixing	
	5	Red fine	000	-	255	0% to 100%		
	6	Green	000	-	255	0% to 100%		
	7	Green fine	000	-	255	0% to 100%		
	8	Blue	000	-	255	0% to 100%		
	9	Blue fine	000	-	255	0% to 100%		
	10	White	000	-	255	0% to 100%		
	11	White fine	000	-	255	0% to 100%		
	12	Amber	000	-	255	0% to 100%		
	13	Amber fine	000	-	255	0% to 100%		
	14	UV	000	-	255	0% to 100%		
	15	UV fine	000	-	255	0% to 100%		
	16	Color Temperature (affects Color Mixing)	000	-	005	Off		CCT
			006	-	006	Warm white		
			007	-	046	Warm white to 2700K		
047			-	047	Bulb White (2700K)			
048			-	087	2700K to 3200K			
088			-	088	Halogen White (3200K)			
089			-	128	3200K to 4000K			
129			-	129	Neutral White (4000K)			
130			-	169	4000K to 5600K			
170			-	170	Studio White (5600K)			
171			-	210	5600K to 6500K			
211			-	211	Daylight White (6500K)			
212			-	251	6500K to Cold white			
252	-	255	Cold white					
17	Tint (affects Color Temperature)	000	-	000	Off	Tint		
		001	-	127	Magenta -> Neutral			
		128	-	128	neutral			
		129	-	255	Neutral -> Green			
18	Color Presets (override Color Mixing & Color Temperature)	000	-	005	No function	Color		
		006	-	009	46 Dark Magenta			
		010	-	013	29 Plasa Red			
		014	-	017	26 Bright Red			
		018	-	021	127 Smokey Pink			
		022	-	025	36 Medium Pink			
		026	-	029	19 Fire			

18	Color Presets (override Color Mixing & Color Temperature)	030 - 033	135 Deep Golden Amber	Color
		034 - 037	778 Millennium Gold	
		038 - 041	21 Gold Amber	
		042 - 045	157 Pink	
		046 - 049	110 Middle Rose	
		050 - 053	109 Light Salmon	
		054 - 057	35 Light Pink	
		058 - 061	134 Golden Amber	
		062 - 065	17 Surprise Peach	
		066 - 069	746 Brown	
		070 - 073	105 Orange	
		074 - 077	20 Medium Amber	
		078 - 081	768 Egg Yolk Yellow	
		082 - 085	15 Deep Straw	
		086 - 089	767 Nectarine	
		090 - 093	101 Yellow	
		094 - 097	100 Spring Yellow	
		098 - 101	88 Lime Green	
		102 - 105	121 LEE Green	
		106 - 109	738 Jas Green	
		110 - 113	89 Moss Green	
		114 - 117	139 Primary Green	
		118 - 121	124 Dark Green	
		122 - 125	323 Jade	
		126 - 129	354 Special Steel Blue	
		130 - 133	116 Medium Blue-Green	
		134 - 137	183 Moonlight Blue	
		138 - 141	132 Medium Blue	
		142 - 145	119 Dark Blue	
		146 - 149	716 Mikkel Blue	
		150 - 153	71 Tokyo Blue	
		154 - 157	181 Congo Blue	
		158 - 161	799 Special KH Lavender	
162 - 165	707 Ultimate Violet			
166 - 169	343 Special Medium Lavender			
170 - 173	798 Chrysalis Pink			
174 - 177	701 Provence			
178 - 181	797 Deep Purple			
182 - 185	48 Rose Purple			
186 - 189	345 Fuchsia Pink			
190 - 193	795 Magical Magenta			

18	Color Presets (override Color Mixing & Color Temperature)	194 - 197	128 Bright Pink	Color
		198 - 201	2 Rose Pink	
		202 - 207	User Color 1	
		208 - 213	User Color 2	
		214 - 219	User Color 3	
		220 - 225	User Color 4	
		226 - 231	User Color 5	
		232 - 237	User Color 6	
		238 - 243	User Color 7	
		244 - 249	User Color 8	
250 - 255	No function			
19	Color Crossfade (affects CCT and Color Presets)	000 - 005	0s (Off)	User Colors
		006 - 105	0,1s - 10s (0,1s Steps)	
		106 - 214	11s - 119s (1s Steps)	
		215 - 244	2m - 4m50s (10s Steps)	
		245 - 255	5m - 15m (1m Steps)	
20	Device settings (All settings are executed after holding value for 3 seconds) (please read remark 1*)	000 - 024	No function	User Colors
		025 - 025	Record User Color/User Preset 1	
		026 - 026	Record User Color/User Preset 2	
		027 - 027	Record User Color/User Preset 3	
		028 - 028	Record User Color/User Preset 4	
		029 - 029	Record User Color/User Preset 5	
		030 - 030	Record User Color/User Preset 6	
		031 - 031	Record User Color/User Preset 7	
		032 - 032	Record User Color/User Preset 8	
		033 - 057	No function	
		058 - 059	Pixel Direction Mirroring Off	Pixel Mirroring
		060 - 061	Pixel Direction Mirroring On	
		062 - 073	No function	Dimming
		074 - 075	Dimmer Response LED	
076 - 077	Dimmer Response Halogen			
078 - 081	No function			
082 - 083	DTW (Redshift) On			
084 - 085	DTW (Redshift) Off			

20	Device settings (All settings are executed after holding value for 3 seconds) (please read remark 1*)	086	-	119	No function	PWM Frequency
		120	-	121	PWM 1 (650 Hz)	
		122	-	123	PWM 2 (1530 Hz)	
		124	-	125	PWM 3 (3600 Hz)	
		126	-	127	PWM 4 (12000 Hz)	
		128	-	129	PWM 5 (18900 Hz)	
		130	-	131	PWM 6 (25000 Hz)	
		132	-	133	RAW	Color Calibration
		134	-	135	Factory Calibration	
		136	-	137	User Calibration	
		138	-	139	Smart Calibration	Display Functions
		140	-	141	Display Always On	
		142	-	143	Display Off after 20s	Dimmer Curve
		144	-	163	No function	
		164	-	165	Dimmer Curve Linear	
		166	-	167	Dimmer Curve Exponential	
		168	-	169	Dimmer Curve Logarithmic	
		170	-	171	Dimmer Curve S-Curve	
		172	-	239	No function	Load Default
		240	-	241	Load Factory Defaults	
242	-	243	Load Factory Defaults (without User Colours & Loops)			
244	-	245	Load User Default A			
246	-	247	Load User Default B			
248	-	249	Load User Default C			
250	-	255	no function			

PB 600 IPG2						
44CH						
Pattern						
Channel	Function	Values				Subgroup
1	Dimmer	000	-	255	0% to 100%	Dimmer
2	Dimmer fine	000	-	255	0% to 100%	
3	Strobe Functions	000	-	005	Open	Multi-functional Strobe
		006	-	010	Closed	
		011	-	022	Ramp up/down slow to fast	
		023	-	033	Ramp up/down random slow to fast	
		034	-	045	Ramp up slow to fast	
		046	-	056	Ramp up random slow to fast	

ENGLISH	3	Strobe Functions	057	-	068	Ramp down slow to fast	Multi-functional Strobe		
			069	-	079	Ramp down random slow to fast			
			080	-	102	Random Strobe effect slow to fast			
			103	-	127	Strobe Break effect 5s to 1s (Short burst with break)			
			128	-	250	Strobe slow to fast (<1Hz to 20Hz)			
			251	-	255	Open			
DEUTSCH	4	Red	000	-	255	0% to 100%	Additive Color Mixing		
	5	Red fine	000	-	255	0% to 100%			
	6	Green	000	-	255	0% to 100%			
	7	Green fine	000	-	255	0% to 100%			
	8	Blue	000	-	255	0% to 100%			
	9	Blue fine	000	-	255	0% to 100%			
	10	White	000	-	255	0% to 100%			
	11	White fine	000	-	255	0% to 100%			
	12	Amber	000	-	255	0% to 100%			
	13	Amber fine	000	-	255	0% to 100%			
	14	UV	000	-	255	0% to 100%			
	15	UV fine	000	-	255	0% to 100%			
	FRANCAIS	16	Color Temperature (affects Color Mixing)	000	-	005		Off	CCT
				006	-	006		Warm white	
				007	-	046		Warm white to 2700K	
047				-	047	Bulb White (2700K)			
048				-	087	2700K to 3200K			
088				-	088	Halogen White (3200K)			
089				-	128	3200K to 4000K			
129				-	129	Neutral White (4000K)			
130				-	169	4000K to 5600K			
170				-	170	Studio White (5600K)			
171				-	210	5600K to 6500K			
211				-	211	Daylight White (6500K)			
212				-	251	6500K to Cold white			
252	-	255	Cold white						
ESPAÑOL	17	Tint (affects Color Temperature)	000	-	000	Off	Tint		
			001	-	127	Magenta -> Neutral			
			128	-	128	neutral			
			129	-	255	Neutral -> Green			
POLSKI									
ITALIANO									
DMX									



18	Color Presets (override Color Mixing & Color Temperature)	000	-	005	No function	Color
		006	-	009	46 Dark Magenta	
		010	-	013	29 Plasa Red	
		014	-	017	26 Bright Red	
		018	-	021	127 Smokey Pink	
		022	-	025	36 Medium Pink	
		026	-	029	19 Fire	
		030	-	033	135 Deep Golden Amber	
		034	-	037	778 Millennium Gold	
		038	-	041	21 Gold Amber	
		042	-	045	157 Pink	
		046	-	049	110 Middle Rose	
		050	-	053	109 Light Salmon	
		054	-	057	35 Light Pink	
		058	-	061	134 Golden Amber	
		062	-	065	17 Surprise Peach	
		066	-	069	746 Brown	
		070	-	073	105 Orange	
		074	-	077	20 Medium Amber	
		078	-	081	768 Egg Yolk Yellow	
		082	-	085	15 Deep Straw	
		086	-	089	767 Nectarine	
		090	-	093	101 Yellow	
		094	-	097	100 Spring Yellow	
		098	-	101	88 Lime Green	
		102	-	105	121 LEE Green	
		106	-	109	738 Jas Green	
		110	-	113	89 Moss Green	
		114	-	117	139 Primary Green	
		118	-	121	124 Dark Green	
		122	-	125	323 Jade	
		126	-	129	354 Special Steel Blue	
		130	-	133	116 Medium Blue-Green	
		134	-	137	183 Moonlight Blue	
138	-	141	132 Medium Blue			
142	-	145	119 Dark Blue			
146	-	149	716 Mikkell Blue			
150	-	153	71 Tokyo Blue			
154	-	157	181 Congo Blue			
158	-	161	799 Special KH Lavender			
162	-	165	707 Ultimate Violet			

18	Color Presets (override Color Mixing & Color Temperature)	166 - 169	343 Special Medium Lavender	Color
		170 - 173	798 Chrysalis Pink	
		174 - 177	701 Provence	
		178 - 181	797 Deep Purple	
		182 - 185	48 Rose Purple	
		186 - 189	345 Fuchsia Pink	
		190 - 193	795 Magical Magenta	
		194 - 197	128 Bright Pink	
		198 - 201	2 Rose Pink	
		202 - 207	User Color 1	
		208 - 213	User Color 2	
		214 - 219	User Color 3	
		220 - 225	User Color 4	
		226 - 231	User Color 5	
		232 - 237	User Color 6	
238 - 243	User Color 7			
244 - 249	User Color 8			
250 - 255	No function			
19	Color Crossfade (affects CCT and Color Presets)	000 - 005	0s (Off)	
		006 - 105	0,1s - 10s (0,1s Steps)	
		106 - 214	11s - 119s (1s Steps)	
		215 - 244	2m - 4m50s (10s Steps)	
		245 - 255	5m - 15m (1m Steps)	
20	Pattern Folder	000 - 005	Off	
		006 - 064	Static Pattern 1	
		065 - 128	Static Pattern 2	
		129 - 192	Effect Pattern 1	
		193 - 255	Effect Pattern 2	
21	Pattern Selection	000 - 005	Off	Pattern
		006 - 009	1	
		010 - 013	2	
		014 - 017	3	
		018 - 021	4	
		022 - 025	5	
		026 - 029	6	
		030 - 033	7	
		034 - 037	8	
		038 - 041	9	
		042 - 045	10	
		046 - 229	11 to 49	
		230 - 255	50	

22	Pattern Position & Speed	000	-	005	Effect Pattern Speed Stop	Pattern
		006	-	127	Effect Pattern Speed slow to fast	
		128	-	255	Effect Pattern Speed fast to slow (backwards)	
23	Pattern Transition	000	-	005	0s (Off)	
		006	-	255	0,1s to 5s	
24	Pattern Fade/Wake Effect	000	-	005	off	
		006	-	127	Fade 0% to 100%	
		128	-	255	Wake 0% to 100%	
25	Background Dimmer	000	-	255	0% to 100%	
26	Background Dimmer fine	000	-	255	0% to 100%	
27	Background Strobe	000	-	005	Open	Background Strobe
		006	-	010	Closed	
		011	-	022	Ramp up/down slow to fast	
		023	-	033	Ramp up/down random slow to fast	
		034	-	045	Ramp up slow to fast	
		046	-	056	Ramp up random slow to fast	
		057	-	068	Ramp down slow to fast	
		069	-	079	Ramp down random slow to fast	
		080	-	102	Random Strobe effect slow to fast	
		103	-	127	Strobe Break effect 5s to 1s (Short burst with break)	
		128	-	250	Strobe slow to fast (<1Hz to 20Hz)	
251	-	255	Open			
28	Background Red	000	-	255	0% to 100%	Background Color Mixing
29	Background Red fine	000	-	255	0% to 100%	
30	Background Green	000	-	255	0% to 100%	
31	Background Green fine	000	-	255	0% to 100%	
32	Background Blue	000	-	255	0% to 100%	
33	Background Blue fine	000	-	255	0% to 100%	
34	Background White	000	-	255	0% to 100%	
35	Background White fine	000	-	255	0% to 100%	
36	Background Amber	000	-	255	0% to 100%	

37	Background Amber fine	000	-	255	0% to 100%	Background Color Mixing
38	Background UV	000	-	255	0% to 100%	
39	Background UV fine	000	-	255	0% to 100%	
40	Background Color Temperature (affects Background Color Mixing)	000	-	005	Off	
		006	-	006	Warm white	
		007	-	046	Warm white to 2700K	
		047	-	047	Bulb White (2700K)	
		048	-	087	2700K to 3200K	
		088	-	088	Halogen White (3200K)	
		089	-	128	3200K to 4000K	
		129	-	129	Neutral White (4000K)	
		130	-	169	4000K to 5600K	
		170	-	170	Studio White (5600K)	
		171	-	210	5600K to 6500K	
		211	-	211	Daylight White (6500K)	
212	-	251	6500K to Cold white			
252	-	255	Cold white			
41	Background Tint (affects Background Color Temperature)	000	-	000	Off	
		001	-	127	Magenta -> Neutral	
		128	-	128	neutral	
		129	-	255	Neutral -> Green	
42	Background Color Presets (override Background Color Mixing & Color Temperature)	000	-	005	No function	
		006	-	009	46 Dark Magenta	
		010	-	013	29 Plasa Red	
		014	-	017	26 Bright Red	
		018	-	021	127 Smokey Pink	
		022	-	025	36 Medium Pink	
		026	-	029	19 Fire	
		030	-	033	135 Deep Golden Amber	
		034	-	037	778 Millennium Gold	
		038	-	041	21 Gold Amber	
		042	-	045	157 Pink	
		046	-	049	110 Middle Rose	
		050	-	053	109 Light Salmon	
		054	-	057	35 Light Pink	
		058	-	061	134 Golden Amber	
		062	-	065	17 Surprise Peach	
066	-	069	746 Brown			
070	-	073	105 Orange			
074	-	077	20 Medium Amber			
078	-	081	768 Egg Yolk Yellow			

42	Background Color Presets (override Background Color Mixing & Color Temperature)	082	-	085	15 Deep Straw	Background Color Mixing
		086	-	089	767 Nectarine	
		090	-	093	101 Yellow	
		094	-	097	100 Spring Yellow	
		098	-	101	88 Lime Green	
		102	-	105	121 LEE Green	
		106	-	109	738 Jas Green	
		110	-	113	89 Moss Green	
		114	-	117	139 Primary Green	
		118	-	121	124 Dark Green	
		122	-	125	323 Jade	
		126	-	129	354 Special Steel Blue	
		130	-	133	116 Medium Blue-Green	
		134	-	137	183 Moonlight Blue	
		138	-	141	132 Medium Blue	
		142	-	145	119 Dark Blue	
		146	-	149	716 Mikkell Blue	
		150	-	153	71 Tokyo Blue	
		154	-	157	181 Congo Blue	
		158	-	161	799 Special KH Lavender	
		162	-	165	707 Ultimate Violet	
		166	-	169	343 Special Medium Lavender	
		170	-	173	798 Chrysalis Pink	
		174	-	177	701 Provence	
		178	-	181	797 Deep Purple	
		182	-	185	48 Rose Purple	
		186	-	189	345 Fuchsia Pink	
		190	-	193	795 Magical Magenta	
		194	-	197	128 Bright Pink	
		198	-	201	2 Rose Pink	
202	-	207	User Color 1			
208	-	213	User Color 2			
214	-	219	User Color 3			
220	-	225	User Color 4			
226	-	231	User Color 5			
232	-	237	User Color 6			
238	-	243	User Color 7			
244	-	249	User Color 8			
250	-	255	No function			

43	Background Color Crossfade (affects Background CCT and Color Presets)	000 - 005	0s (Off)	Background Color Mixing
		006 - 105	0,1s - 10s (0,1s Steps)	
		106 - 214	11s - 119s (1s Steps)	
		215 - 244	2m - 4m50s (10s Steps)	
		245 - 255	5m - 15m (1m Steps)	
44	Device settings (All settings are executed after holding value for 3 seconds) (please read remark 1*)	000 - 024	No function	User Colors
		025 - 025	Record User Color/User Preset 1	
		026 - 026	Record User Color/User Preset 2	
		027 - 027	Record User Color/User Preset 3	
		028 - 028	Record User Color/User Preset 4	
		029 - 029	Record User Color/User Preset 5	
		030 - 030	Record User Color/User Preset 6	
		031 - 031	Record User Color/User Preset 7	
		032 - 032	Record User Color/User Preset 8	
		033 - 057	No function	Pixel Mirroring
		058 - 059	Pixel Direction Mirroring Off	
		060 - 061	Pixel Direction Mirroring On	
		062 - 073	No function	
		074 - 075	Dimmer Response LED	Dimming
		076 - 077	Dimmer Response Halogen	
		078 - 081	No function	
		082 - 083	DTW (Redshift) On	
		084 - 085	DTW (Redshift) Off	PWM Frequency
		086 - 119	No function	
		120 - 121	PWM 1 (650 Hz)	
122 - 123	PWM 2 (1530 Hz)			
124 - 125	PWM 3 (3600 Hz)			
126 - 127	PWM 4 (12000 Hz)			
128 - 129	PWM 5 (18900 Hz)			
130 - 131	PWM 6 (25000 Hz)			
132 - 133	RAW	Color Calibration		
134 - 135	Factory Calibration			
136 - 137	User Calibration			
138 - 139	Smart Calibration			

44	Device settings (All settings are executed after holding value for 3 seconds) (please read remark 1*)	140	-	141	Display Always On	Display Functions
		142	-	143	Display Off after 20s	
		144	-	163	No function	
		164	-	165	Dimmer Curve Linear	Dimmer Curve
		166	-	167	Dimmer Curve Exponential	
		168	-	169	Dimmer Curve Logarithmic	
		170	-	171	Dimmer Curve S-Curve	
		172	-	239	No function	Load Default
		240	-	241	Load Factory Defaults	
		242	-	243	Load Factory Defaults (without User Colours & Loops)	
		244	-	245	Load User Default A	
		246	-	247	Load User Default B	
		248	-	249	Load User Default C	
		250	-	255	no function	

PB 600 IP G2					
48CH Pixel RGB					
Channel	Function	Values			Subgroup
1	Red 1	000	-	255	Color Mixing Pixel 1
2	Green 1	000	-	255	
3	Blue 1	000	-	255	
4	Red 2	000	-	255	Color Mixing Pixel 2
5	Green 2	000	-	255	
6	Blue 2	000	-	255	
7	Red 3	000	-	255	Color Mixing Pixel 3
8	Green 3	000	-	255	
9	Blue 3	000	-	255	
10	Red 4	000	-	255	Color Mixing Pixel 4
11	Green 4	000	-	255	
12	Blue 4	000	-	255	
13	Red 5	000	-	255	Color Mixing Pixel 5
14	Green 5	000	-	255	
15	Blue 5	000	-	255	
16	Red 6	000	-	255	Color Mixing Pixel 6
17	Green 6	000	-	255	
18	Blue 6	000	-	255	
19	Red 7	000	-	255	Color Mixing Pixel 7
20	Green 7	000	-	255	
21	Blue 7	000	-	255	

22	Red 8	000	-	255	0% to 100%	Color Mixing Pixel 8
23	Green 8	000	-	255	0% to 100%	
24	Blue 8	000	-	255	0% to 100%	
25	Red 9	000	-	255	0% to 100%	Color Mixing Pixel 9
26	Green 9	000	-	255	0% to 100%	
27	Blue 9	000	-	255	0% to 100%	
28	Red 10	000	-	255	0% to 100%	Color Mixing Pixel 10
29	Green 10	000	-	255	0% to 100%	
30	Blue 10	000	-	255	0% to 100%	
31	Red 11	000	-	255	0% to 100%	Color Mixing Pixel 11
32	Green 11	000	-	255	0% to 100%	
33	Blue 11	000	-	255	0% to 100%	
34	Red 12	000	-	255	0% to 100%	Color Mixing Pixel 12
35	Green 12	000	-	255	0% to 100%	
36	Blue 12	000	-	255	0% to 100%	
37	Red 13	000	-	255	0% to 100%	Color Mixing Pixel 13
38	Green 13	000	-	255	0% to 100%	
39	Blue 13	000	-	255	0% to 100%	
40	Red 14	000	-	255	0% to 100%	Color Mixing Pixel 14
41	Green 14	000	-	255	0% to 100%	
42	Blue 14	000	-	255	0% to 100%	
43	Red 15	000	-	255	0% to 100%	Color Mixing Pixel 15
44	Green 15	000	-	255	0% to 100%	
45	Blue 15	000	-	255	0% to 100%	
46	Red 16	000	-	255	0% to 100%	Color Mixing Pixel 16
47	Green 16	000	-	255	0% to 100%	
48	Blue 16	000	-	255	0% to 100%	

**PB 600 IPG2**

96CH	100CH						
Pixel	Pixel Dim						
Channel	Channel	Function	Values			Subgroup	
	1	Dimmer	000	-	255	0% to 100%	Dimmer
	2	Dimmer fine	000	-	255	0% to 100%	
	3	Strobe Functions	000	-	005	Open	Multi-functional Strobe
			006	-	010	Closed	
			011	-	022	Ramp up/down slow to fast	
			023	-	033	Ramp up/down random slow to fast	
			034	-	045	Ramp up slow to fast	



3	Strobe Functions	046 - 056	Ramp up random slow to fast	Multi-functional Strobe
		057 - 068	Ramp down slow to fast	
		069 - 079	Ramp down random slow to fast	
		080 - 102	Random Strobe effect slow to fast	
		103 - 127	Strobe Break effect 5s to 1s (Short burst with break)	
		128 - 250	Strobe slow to fast (<1Hz to 20Hz)	
		251 - 255	Open	
4	Device settings (All settings are executed after holding value for 3 seconds) (please read remark 1*)	000 - 024	No function	User Colors
		025 - 025	Record User Color/ User Preset 1	
		026 - 026	Record User Color/ User Preset 2	
		027 - 027	Record User Color/ User Preset 3	
		028 - 028	Record User Color/ User Preset 4	
		029 - 029	Record User Color/ User Preset 5	
		030 - 030	Record User Color/ User Preset 6	
		031 - 031	Record User Color/ User Preset 7	
		032 - 032	Record User Color/ User Preset 8	
		033 - 057	No function	
		058 - 059	Pixel Direction Mirroring Off	Pixel Mirroring
		060 - 061	Pixel Direction Mirroring On	
		062 - 073	No function	
		074 - 075	Dimmer Response LED	Dimming
		076 - 077	Dimmer Response Halogen	
078 - 081	No function			
082 - 083	DTW (Redshift) On			

ENGLISH			084 - 085	DTW (Redshift) Off	Dimming						
			086 - 119	No function							
			120 - 121	PWM 1 (650 Hz)	PWM Frequency						
			122 - 123	PWM 2 (1530 Hz)							
			124 - 125	PWM 3 (3600 Hz)							
			126 - 127	PWM 4 (12000 Hz)							
			128 - 129	PWM 5 (18900 Hz)							
			130 - 131	PWM 6 (25000 Hz)							
			132 - 133	RAW	Color Calibration						
			134 - 135	Factory Calibration							
136 - 137	User Calibration										
DEUTSCH			138 - 139	Smart Calibration	Display Functions						
			140 - 141	Display Always On							
			142 - 143	Display Off after 20s							
			144 - 163	No function							
			164 - 165	Dimmer Curve Linear	Dimmer Curve						
			166 - 167	Dimmer Curve Exponential							
			168 - 169	Dimmer Curve Logarithmic							
			170 - 171	Dimmer Curve S-Curve							
			FRANCAIS	4	Device settings (All settings are executed after holding value for 3 seconds) (please read remark 1*)	172 - 239	No function				
						240 - 241	Load Factory Defaults	Load Default			
242 - 243	Load Factory Defaults (without User Colours & Loops)										
244 - 245	Load User Default A										
246 - 247	Load User Default B										
248 - 249	Load User Default C										
ESPAÑOL						250 - 255	No function				
						1	5	Red 1	000 - 255	0% to 100%	Color Mixing Pixel 1
						2	6	Green 1	000 - 255	0% to 100%	
						3	7	Blue 1	000 - 255	0% to 100%	
			4	8	White 1	000 - 255	0% to 100%				
			5	9	Amber 1	000 - 255	0% to 100%				
			POLSKI			6	10	UV 1	000 - 255	0% to 100%	Color Mixing Pixel 2
						7	11	Red 2	000 - 255	0% to 100%	
						8	12	Green 2	000 - 255	0% to 100%	
						9	13	Blue 2	000 - 255	0% to 100%	
ITALIANO											
DMX											

10	14	White 2	000	-	255	0% to 100%	Color Mixing Pixel 2
11	15	Amber 2	000	-	255	0% to 100%	
12	16	UV 2	000	-	255	0% to 100%	
13	17	Red 3	000	-	255	0% to 100%	Color Mixing Pixel 3
14	18	Green 3	000	-	255	0% to 100%	
15	19	Blue 3	000	-	255	0% to 100%	
16	20	White 3	000	-	255	0% to 100%	
17	21	Amber 3	000	-	255	0% to 100%	
18	22	UV 3	000	-	255	0% to 100%	Color Mixing Pixel 4
19	23	Red 4	000	-	255	0% to 100%	
20	24	Green 4	000	-	255	0% to 100%	
21	25	Blue 4	000	-	255	0% to 100%	
22	26	White 4	000	-	255	0% to 100%	
23	27	Amber 4	000	-	255	0% to 100%	
24	28	UV 4	000	-	255	0% to 100%	
25	29	Red 5	000	-	255	0% to 100%	Color Mixing Pixel 5
26	30	Green 5	000	-	255	0% to 100%	
27	31	Blue 5	000	-	255	0% to 100%	
28	32	White 5	000	-	255	0% to 100%	
29	33	Amber 5	000	-	255	0% to 100%	
30	34	UV 5	000	-	255	0% to 100%	Color Mixing Pixel 6
31	35	Red 6	000	-	255	0% to 100%	
32	36	Green 6	000	-	255	0% to 100%	
33	37	Blue 6	000	-	255	0% to 100%	
34	38	White 6	000	-	255	0% to 100%	
35	39	Amber 6	000	-	255	0% to 100%	
36	40	UV 6	000	-	255	0% to 100%	Color Mixing Pixel 7
37	41	Red 7	000	-	255	0% to 100%	
38	42	Green 7	000	-	255	0% to 100%	
39	43	Blue 7	000	-	255	0% to 100%	
40	44	White 7	000	-	255	0% to 100%	
41	45	Amber 7	000	-	255	0% to 100%	Color Mixing Pixel 8
42	46	UV 7	000	-	255	0% to 100%	
43	47	Red 8	000	-	255	0% to 100%	
44	48	Green 8	000	-	255	0% to 100%	
45	49	Blue 8	000	-	255	0% to 100%	
46	50	White 8	000	-	255	0% to 100%	Color Mixing Pixel 9
47	51	Amber 8	000	-	255	0% to 100%	
48	52	UV 8	000	-	255	0% to 100%	
49	53	Red 9	000	-	255	0% to 100%	
50	54	Green 9	000	-	255	0% to 100%	
51	55	Blue 9	000	-	255	0% to 100%	

ENGLISH	52	56	White 9	000	-	255	0% to 100%	Color Mixing Pixel 9
	53	57	Amber 9	000	-	255	0% to 100%	
	54	58	UV 9	000	-	255	0% to 100%	
	55	59	Red 10	000	-	255	0% to 100%	
DEUTSCH	56	60	Green 10	000	-	255	0% to 100%	Color Mixing Pixel 10
	57	61	Blue 10	000	-	255	0% to 100%	
	58	62	White 10	000	-	255	0% to 100%	
	59	63	Amber 10	000	-	255	0% to 100%	
FRANCAIS	60	64	UV 10	000	-	255	0% to 100%	Color Mixing Pixel 11
	61	65	Red 11	000	-	255	0% to 100%	
	62	66	Green 11	000	-	255	0% to 100%	
	63	67	Blue 11	000	-	255	0% to 100%	
ESPAÑOL	64	68	White 11	000	-	255	0% to 100%	Color Mixing Pixel 12
	65	69	Amber 11	000	-	255	0% to 100%	
	66	70	UV 11	000	-	255	0% to 100%	
	67	71	Red 12	000	-	255	0% to 100%	
POLSKI	68	72	Green 12	000	-	255	0% to 100%	Color Mixing Pixel 13
	69	73	Blue 12	000	-	255	0% to 100%	
	70	74	White 12	000	-	255	0% to 100%	
	71	75	Amber 12	000	-	255	0% to 100%	
ITALIANO	72	76	UV 12	000	-	255	0% to 100%	Color Mixing Pixel 14
	73	77	Red 13	000	-	255	0% to 100%	
	74	78	Green 13	000	-	255	0% to 100%	
	75	79	Blue 13	000	-	255	0% to 100%	
DMX	76	80	White 13	000	-	255	0% to 100%	Color Mixing Pixel 15
	77	81	Amber 13	000	-	255	0% to 100%	
	78	82	UV 13	000	-	255	0% to 100%	
	79	83	Red 14	000	-	255	0% to 100%	
	80	84	Green 14	000	-	255	0% to 100%	Color Mixing Pixel 16
	81	85	Blue 14	000	-	255	0% to 100%	
	82	86	White 14	000	-	255	0% to 100%	
	83	87	Amber 14	000	-	255	0% to 100%	
	84	88	UV 14	000	-	255	0% to 100%	
	85	89	Red 15	000	-	255	0% to 100%	
	86	90	Green 15	000	-	255	0% to 100%	
	87	91	Blue 15	000	-	255	0% to 100%	
	88	92	White 15	000	-	255	0% to 100%	
	89	93	Amber 15	000	-	255	0% to 100%	
	90	94	UV 15	000	-	255	0% to 100%	
	91	95	Red 16	000	-	255	0% to 100%	
	92	96	Green 16	000	-	255	0% to 100%	
	93	97	Blue 16	000	-	255	0% to 100%	

94	98	White 16	000	-	255	0% to 100%	Color Mixing Pixel 16
95	99	Amber 16	000	-	255	0% to 100%	
96	100	UV 16	000	-	255	0% to 100%	

<b>PB 600 IPG2</b>													
<b>D2CH</b>	<b>D4CH</b>	<b>D9CH</b>											
<b>Dim UC1</b>	<b>Preset</b>	<b>Direct</b>											
<b>Ch.</b>	<b>Ch.</b>	<b>Ch.</b>	<b>Function</b>	<b>Values</b>			<b>Subgroup</b>						
1 Color = Stand Alone Mode - Color Preset - User Color 1	1	1	Dimmer	000	-	255	0% to 100%	Dimmer					
				000	-	005	Open						
				006	-	010	Closed						
				011	-	022	Ramp up/down slow to fast						
				023	-	033	Ramp up/down ran- dom slow to fast						
				034	-	045	Ramp up slow to fast						
				046	-	056	Ramp up random slow to fast						
				057	-	068	Ramp down slow to fast						
				069	-	079	Ramp down random slow to fast						
				080	-	102	Random Strobe effect slow to fast						
	2	2	Strobe Functions	103	-	127	Strobe Break effect 5s to 1s (Short burst with break)	Multi- functional Strobe					
				128	-	250	Strobe slow to fast (<1Hz to 20Hz)						
				251	-	255	Open						
						3	Red		000	-	255	0% to 100%	Additive Color Mixing
									000	-	255	0% to 100%	
									000	-	255	0% to 100%	
									000	-	255	0% to 100%	
									000	-	255	0% to 100%	
									000	-	255	0% to 100%	
					3		Color Presets		000	-	005	No function	Color
006	-	009	46 Dark Magenta										
010	-	013	29 Plasa Red										
014	-	017	26 Bright Red										
018	-	021	127 Smokey Pink										
022	-	025	36 Medium Pink										

3

Color  
Presets

Color

026	-	029	19 Fire
030	-	033	135 Deep Golden Amber
034	-	037	778 Millennium Gold
038	-	041	21 Gold Amber
042	-	045	157 Pink
046	-	049	110 Middle Rose
050	-	053	109 Light Salmon
054	-	057	35 Light Pink
058	-	061	134 Golden Amber
062	-	065	17 Surprise Peach
066	-	069	746 Brown
070	-	073	105 Orange
074	-	077	20 Medium Amber
078	-	081	768 Egg Yolk Yellow
082	-	085	15 Deep Straw
086	-	089	767 Nectarine
090	-	093	101 Yellow
094	-	097	100 Spring Yellow
098	-	101	88 Lime Green
102	-	105	121 LEE Green
106	-	109	738 Jas Green
110	-	113	89 Moss Green
114	-	117	139 Primary Green
118	-	121	124 Dark Green
122	-	125	323 Jade
126	-	129	354 Special Steel Blue
130	-	133	116 Medium Blue-Green
134	-	137	183 Moonlight Blue
138	-	141	132 Medium Blue
142	-	145	119 Dark Blue
146	-	149	716 Mikkel Blue
150	-	153	71 Tokyo Blue
154	-	157	181 Congo Blue
158	-	161	799 Special KH Lavender
162	-	165	707 Ultimate Violet
166	-	169	343 Special Medium Lavender
170	-	173	798 Chrysalis Pink

	3		Color Presets	174 - 177	701 Provence	Color
				178 - 181	797 Deep Purple	
				182 - 185	48 Rose Purple	
				186 - 189	345 Fuchsia Pink	
				190 - 193	795 Magical Magenta	
				194 - 197	128 Bright Pink	
				198 - 201	2 Rose Pink	
				202 - 207	User Color 1	
				208 - 213	User Color 2	
				214 - 219	User Color 3	
				220 - 225	User Color 4	
				226 - 231	User Color 5	
				232 - 237	User Color 6	
				238 - 243	User Color 7	
244 - 249	User Color 8					
250 - 255	No function					
2	4	9	DMX Delay	000 - 005	Off (no Delay)	DMX Delay
				006 - 255	0,1s to 2,0s	

**EN:** (1\*) After the adjustments have been made, set the value to 000 to avoid disturbance by endless function call.

**DE:** (1\*) Nachdem die Einstellungen vorgenommen wurden, stellen Sie den Wert auf 000 ein, um Störungen durch endlosen Funktionsaufruf zu vermeiden.

**FR:** (1\*) Une fois les ajustements effectués, réglez la valeur sur 000 pour éviter les perturbations par appel de fonction sans fin.

**ES:** (1\*) Después de realizar los ajustes, establezca el valor en 000 para evitar perturbaciones mediante una llamada de función sin fin.

**PL:** (1\*) Po dokonaniu ustawień ustaw wartość na 000, aby uniknąć zakłóceń przez niekończące się wywołanie funkcji.

**IT:** (1\*) Dopo aver effettuato le regolazioni, impostare il valore su 000 per evitare disturbi causati da una chiamata a funzione infinita.



CAMEOLIGHT.COM

**Adam Hall GmbH**

Adam-Hall-Str. 1 | 61267 Neu-Anspach | Germany  
Phone: +49 6081 9419-0 | [adamhall.com](http://adamhall.com)  
Adam Hall Ltd. | The Seedbed Business Centre |  
SS3 9QY Essex | United Kingdom



REV: 01