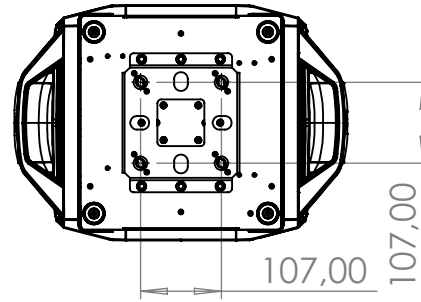


280,00

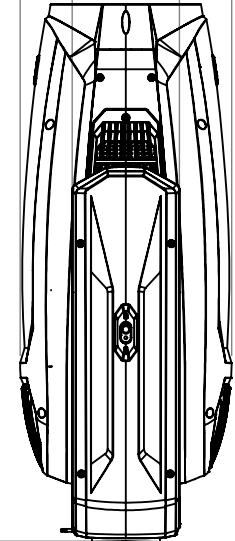
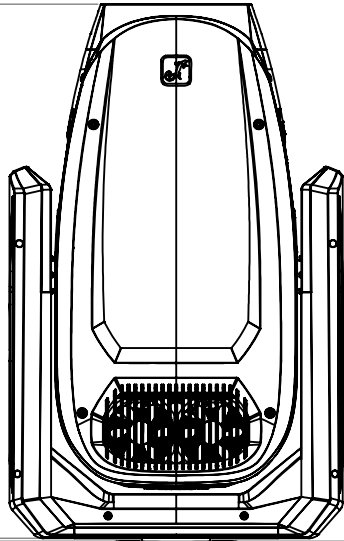
142,00



107,00

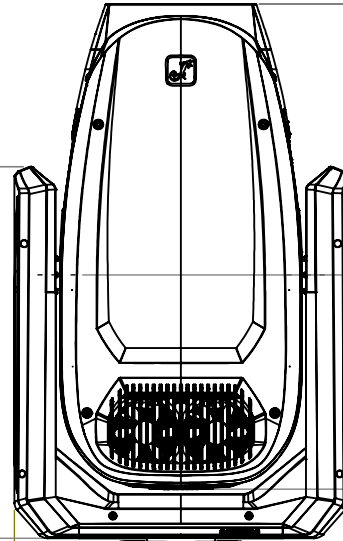
107,00

707,00



615,00

492,00



358,00

642,00

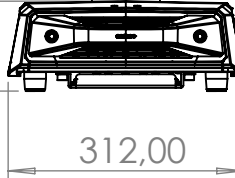
830,00

115,00

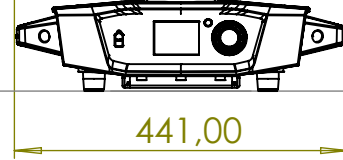
435,00

99,00

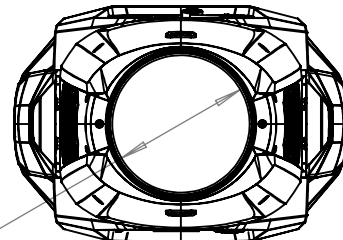
119,00



312,00



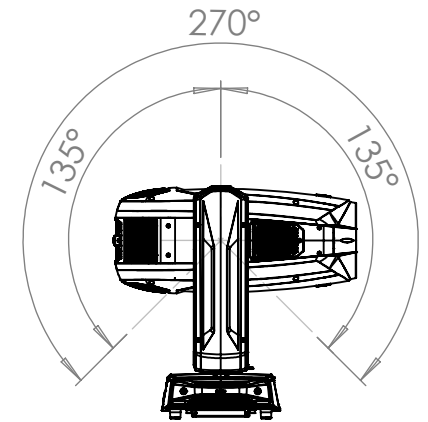
441,00



Ø 181,50

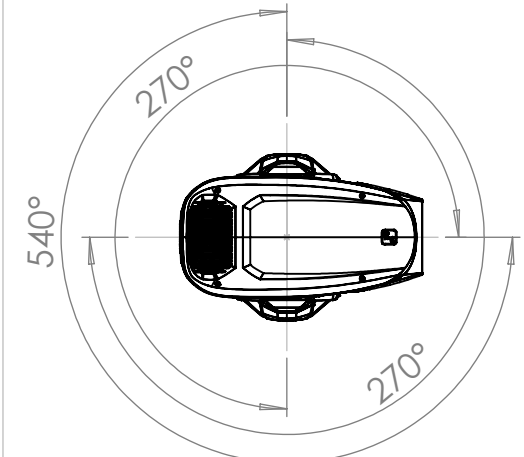
TILT movement

Front movement	135°
Back movement	135°
Total movement	270°



PAN rotation

Left rotation	270°
Right rotation	270°
Total rotation	540°



OPUS® X4 PROFILE

Art No.: CLOX4P
 Drawing No.: 018029-3
 Scale 1:20



Cameo® is a registered brand of the Adam Hall Group.
 Adam-Hall-Str. 1 · 61267 Neu-Anspach · Germany
 DESIGNED AND ENGINEERED IN GERMANY. Assembled in PRC