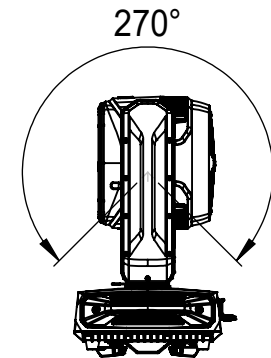
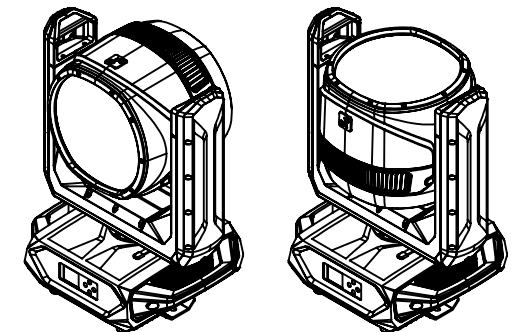


540°
PAN rotation 540°
Left rotation 270° and right rotation 270°



270°
TILT rotation 270°
Left rotation 135° and right rotation 135°



EVOS W7 IP

Art No. CLEW7IP
Scale: 1:10



Cameo® is a registered brand of the Adam Hall Group.
Adam-Hall-Str. 1 · 61267 Neu-Anspach · Germany
DESIGNED AND ENGINEERED IN GERMANY. Assembled in PRC