

D FORCE 5000 RGB

PROFESSIONAL PURE DIODE SHOW LASER



FEATURES

- ✓ 5,000 mW total output power
- ✓ User-adjustable beam alignment
- ✓ Dust-proof aluminium housing for minimum maintenance
- ✓ High-speed high-performance 30 Kpps galvo scanner @ 8° ILDA
- ✓ Analogue modulation for up to 16 million colour shades
- ✓ Precision beam with minimum divergence for razor-sharp projections
- ✓ Interlock emergency stop signal output
- ✓ ILDA interface for software control
- ✓ Scan Fail Safety system
- ✓ Neutrik PowerCON input and output
- ✓ Temperature-controlled low-noise fan for cool and quiet operation
- ✓ Optional adapters for Pangolin safety lenses and DiscoScan V2 360° wide-angle lens (CLLDFORCEAPSSL, CLLDFORCEAPDSL)

DESCRIPTION

Delivering a massive total output of 5,000 mW, the D.FORCE 5000 RGB creates stunning graphics projections with analogue modulation for up to 16 million colour shades.

The highly professional diode-only show laser generates a razor-sharp beam with 2 mm diameter and less than 1 mrad divergence, and the use of a 638 nm diode ensures a highly visible, intense red colour. Eliminating the need for servicing, an easily accessible beam alignment system enables the user to quickly perform adjustments if necessary. The D.FORCE 5000 RGB's pure diode design provides an increased life span and much higher efficiency compared to temperature-dependent DPSS laser sources.

The D.FORCE 5000 RGB features a high-speed 30 Kpps scanner @ 8 degrees ILDA, a wide 50° scan angle and an ILDA interface on 25-pin D-sub connectors for software control.

The dust proof dual layer aluminium housing separates the optical components from the power supply and fan to ensure maximum performance while minimizing maintenance. It provides Neutrik power-CON input and output connectors plus a key switch to prevent unauthorized use. For audience safety the D.FORCE 5000 RGB is equipped with a Scan Fail Safety system, and an optional adapter permits the use of Pangolin lenses.



Features and specifications
subject to change without notice.

adamhall.com

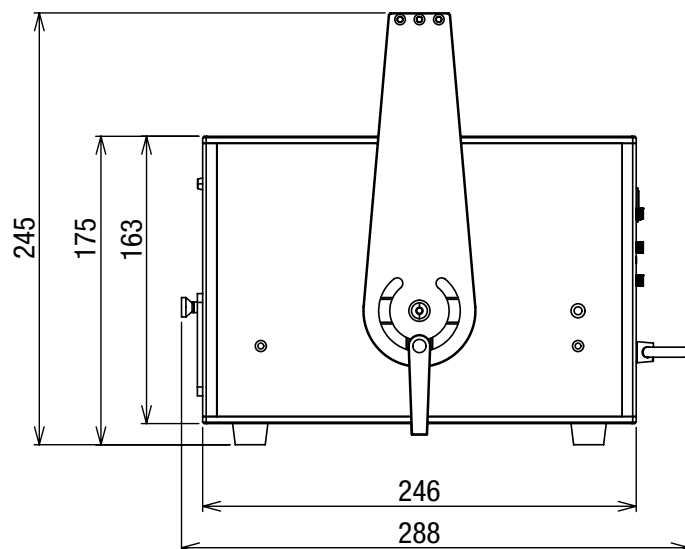
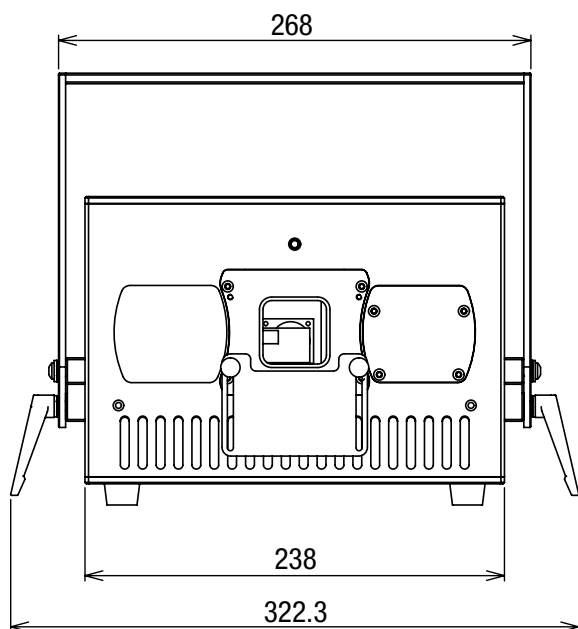
D FORCE 5000 RGB

PROFESSIONAL PURE DIODE SHOW LASER



SPECIFICATIONS

Product type	Laser
Total power	5000 mW
Colour spectrum	RGB
Beam Data	2 x 4 mm
Laser sources	Laser diode
Laser Class	4
Scanner	30kpps @ 8° ILDA
Max. scan angle	max. 50 °
Operating modes	ILDA
Operating voltage	100 V AC - 250 V AC
Power consumption	150 W
Power connector	Neutrik PowerCon
Housing material	aluminium
Cabinet colour	Black
Width	254 mm
Height	175 mm
Depth	300 mm
Weight	7.9 kg



Features and specifications
subject to change without notice.

adamhall.com