

MOV0 BEAM 200

ENDLESS ROTATION BEAM MOVING HEAD WITH LED RING



FEATURES

- ▶ Ultra-bright 60 W OSRAM RGBW LED with 1.200 lm
- ▶ Individually controllable 24-segment LED ring
- ▶ Two high-speed, high torque motors for ultra-fast endless pan and tilt
- ▶ Extremely narrow 2° beam angle
- ▶ Dramatic, automated operating modes
- ▶ 4 selectable dimming curves
- ▶ 7 DMX modes, standalone or master/slave operation
- ▶ Backlight LCD display and encoder wheel for quick and simple set-up
- ▶ Omega bracket for versatile mounting included



DESCRIPTION

An intensely colorful light show will delight your audience regardless of whether or not you are a professional lighting designer. Tightly focused beams, powerful mid-air effects, and plenty of different pieces of eye-candy all combined in one device give you comprehensive possibilities for a highly creative lighting design.

The moving head is equipped with an ultra-bright 60 W Osram RGBW LED with 1,200 lm output, delivering rich basic colors and differentiated pastel tones with natural white gradations. With a narrow beam angle of 2° and large optics, the MOV0® BEAM 200 generates a precise and tightly bundled beam of light. Some extra eye candy is also available to toss out to your audience, thanks to the SMD ring with up to 24 separately controllable segments. Your creativity in lighting design is supported by the four adjustable dimmer curves, not to mention a strobe for an eye-catching cherry to top it all off.

You can control your moving head in static mode or as a master/slave. The MOV0® BEAM 200 is equipped with a high-contrast LCD display, making it easy to read the parameters. Use the encoder wheel to make manual configurations and select parameters.

For DMX control, you have a total of seven DMX channel modes from 4 to 89 channels, which means you can integrate the moving head into your setup according to very specific requirements. You have access to all features, including pan/tilt with fine and continuous adjustment, dimmer curves and strobe parameters, segment control, color presets (LEE filters), and movement macros.

The two high-speed motors provide continuous and precise pan and tilt rotation for vibrant movement patterns. This gives you an illumination intensity of 8500 lux @ 3 m in any desired direction. The MOV0® BEAM 200 is installed in a compact composite housing weighing 8.4 kg.

With its brilliant performance, intense luminosity and flexibility, the MOV0® BEAM 200 is a widely variable effect light for staging a techno party, theatrical show, club ambience or private event. Thanks to its high PWM frequency, it also scores points as an ideal candidate for film and TV productions. It's a great narrow beam moving head for true Lumen Beings.

Features and specifications
subject to change without notice.

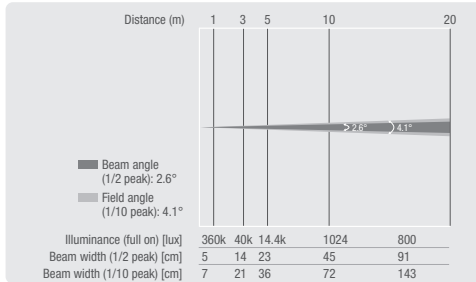
adamhall.com

MOVO BEAM 200

ENDLESS ROTATION BEAM MOVING HEAD WITH LED RING

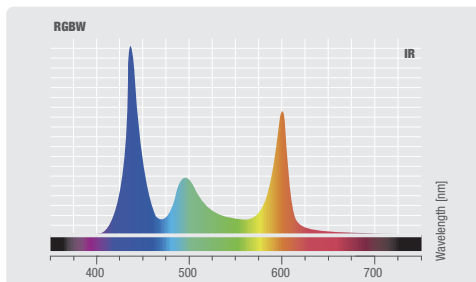


PHOTOMETRICAL DATA



Luminous flux Chromaticity coordinates

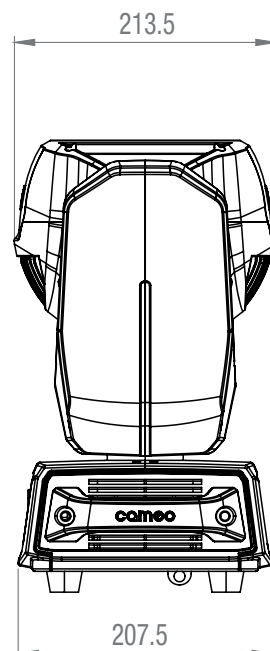
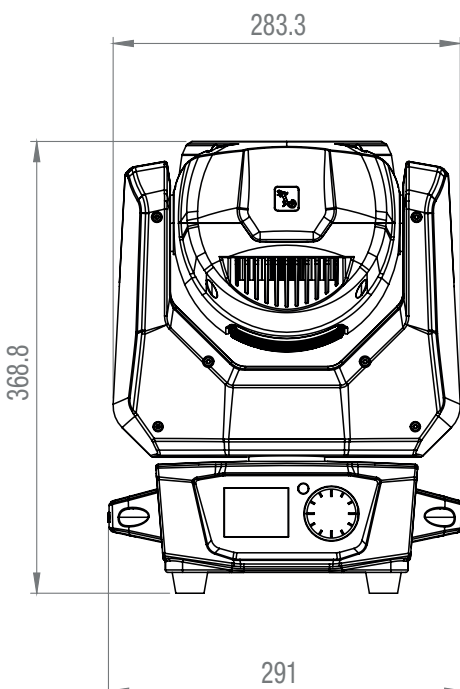
Color	Luminous flux (lm)	x	y
All LEDs on	1333		
Red	241	0.697	0.294
Green	543	0.174	0.076
Blue	108	0.154	0.026
White	521	0.315	0.318



SPECIFICATIONS

Product type	LED Moving Lights
Type	LED Moving Heads
Colour spectrum	RGBW
Number of LEDs	1 + 24
LED type	1 x Osram LE RTDUW S2WP + 24 x 0.2 W RGB
Refresh rate	1000 Hz
Dispersion	2 - 120 °
DMX input	XLR 3-pin male, XLR 5-pin male
DMX output	XLR 3-pin female, XLR 5-pin female
DMX mode	15-channel, 16-channel, 20-channel, 35-channel, 43-channel, 4-channel, 89-channel
DMX Functions	Colour presets, Device Settings, Dimmer, Dimmer Fine, Endless PAN / TILT, Motion Macro, Pan/Tilt, Pan/Tilt fine, Pixel Macros, Segment Control, Single Pixel Control, strobe
PAN movement	540 °, unlimited
TILT movement	270 °, unlimited
Standalone modes	Auto programs, Static
Controls	Encoder wheel
Indicators	LC display
Operating voltage	100 V AC - 240 V AC, 50 - 60 Hz
Power consumption	120 W
Housing material	ABS plastic
Cabinet colour	Black
Illuminance	8500 lx @ 3 m
Luminous flux	1192 lm
Width	287 mm
Height	410 mm
Depth	206 mm
Weight	8 kg
Other features	Flap, Power cord, TV spigots 16 mm, 1 x omega mounting, IP65 Power Twist connector
Width	240 mm
Height	240 mm
Length	254 mm
Weight	8,2 kg

MEASUREMENT



Features and specifications subject to change without notice.

adamhall.com