

F4 FC PO IP

POLE-OPERATED OUTDOOR FRESNEL SPOTLIGHT
WITH RGBW LED - IP65



FEATURES

- ▶ Fresnel spotlight with full color LED (luminous flux of 10,000 lm)
- ▶ Infinitely variable color temperature adjustment (1,600-6,500 K)
- ▶ IP65-certified for permanent outdoor use
- ▶ Pole-operated for efficient use in different environments (TV studios, etc.)
- ▶ Natural color reproduction (CRI > 90)
- ▶ Continuous zoom range from 14° to 52°
- ▶ Flicker-free camera images thanks to selectable pulse width modulation frequencies up to 25 kHz
- ▶ Selectable 16-bit dimmer curves for smooth dimming
- ▶ 8-way barn door and color filter frame included
- ▶ Highly efficient cooling system and silent mode for noise-free operation

DESCRIPTION

It can be challenging with ever-changing weather conditions to do concerts or film & TV productions outdoors. That's why the dust-proof and water-resistant, IP65-certified Cameo F4 FC PO IP spotlight was developed so you can still achieve the full color spectrum of a zoomable Fresnel full-color spotlight. It is pole-operated making it easy to adjust from the ground.

Its white tones can be accurately set in CCT mode from 1,600 K to 6,500 K with a constant CRI above 90. The precise 250 mm Fresnel glass lens with a continuous zoom lets you keep control over the 10,000 lm light in every nuance and color temperature, whether you use it to shine the spotlight right down on performers or objects or apply it as area lighting for entire scenes and surfaces.

The F4 FC PO IP is a low-maintenance, pole-operated Full Color LED Fresnel spotlight with excellent color rendering, which remains fully usable even outdoors, thanks to IP65 - a real work relief for fast and natural illumination.



Features and specifications
subject to change without notice.

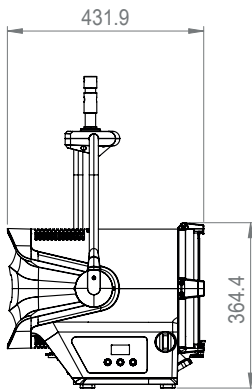
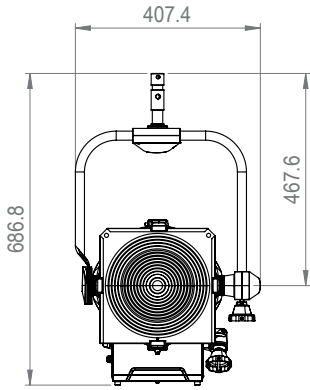
adamhall.com

F4 FC PO IP

POLE-OPERATED OUTDOOR FRESNEL SPOTLIGHT
WITH RGBW LED - IP65



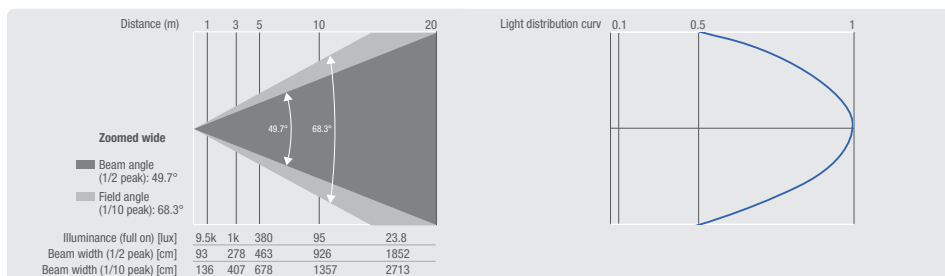
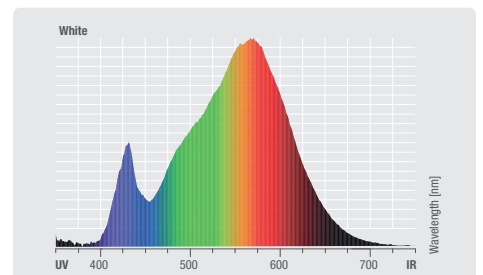
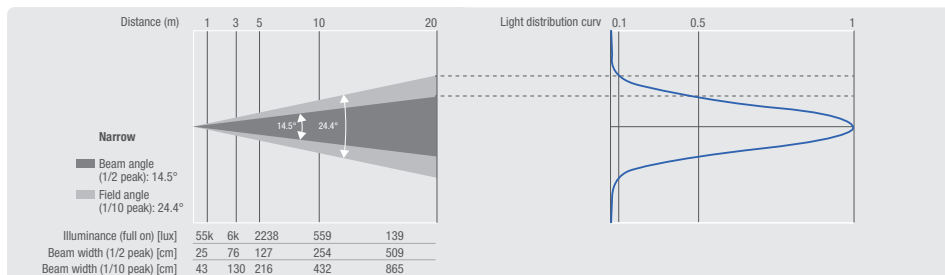
TECHNICAL DRAWING



SPECIFICATIONS

Product type	LED Fresnel Spotlight
Type	Theater Fresnel
Color spectrum	RGBW
Color temperature	1600 - 6500 K
Number of LEDs	1
LED type	570 W (approx. 50,000 operating hours)
Dispersion	Beam Angle: 14 - 52 °, Field Angle: 24 - 69 °
DMX input	XLR 5-pin male IP65
DMX output	XLR 5-pin female IP65
DMX mode	10-channel, 10-channel 2, 14-channel, 3-channel, 3-channel 2, 4-channel, 7-channel, 7-channel 2, 8-channel, 9-channel
DMX Functions	CCT, color macro, Device Settings, Dim to Warm, Dimmer, Dimmer Curve, Dimmer Fine, Hue Saturation, RGBW, RGBW Fine, strobe
Standalone modes	Master / Slave mode, Static
Controls	Push encoder
Indicators	OLED Display
Operating voltage	100 V AC - 240 V AC, 50 - 60 Hz
Power consumption	350 W
Power connector	Neutrik PowerCON TRUE1 IN / OUT
Housing material	ABS plastic, Metal
Cabinet color	Black
Protection class IP	IP65
CRI	> 90
Cooling	Combination of heat pipe and temperature controlled fan
Luminous flux	10000 lm
Efficiency	25 lm/W
Fuse	T8AL / 250 V
Operating Temperature	0 - 40 °C
Dimensions without Mounting Bracket	
Width	433 mm
Height	420 mm
Length	531 mm
Weight	23 kg
Accessories (included)	8-way barndoor, Color Filter Frame, Power cord

PHOTOMETRIC DATA



Features and specifications
subject to change without notice.

adamhall.com