

# OPUS® X4 PROFILE

1400W LED SPOT PROFILE MOVING HEAD



## FEATURES

- ▶ High-performance moving head
- ▶ Robust LED engine with 1400W LED white light engine
- ▶ High-intensity illumination with 50,000 lumens output
- ▶ Wide zoom range: 5°-55°
- ▶ Advanced colour mixing with CMY colour mixing + linear CTO correction
- ▶ Creative colour transitions with 2 x colour wheels
- ▶ Visual effects with 2 x gobo wheels + animation wheel
- ▶ Precise framing with 4x framing blades with +/- 60° rotation
- ▶ Iris + 2 x frost filters
- ▶ Flexible control options with DMX/RDM, Art-Net, sACN, W-DMX, and CRMX



## DESCRIPTION

No distance is too far – the OPUS® X4 PROFILE is the new flagship model from Cameo and is among the most powerful LED moving heads on the market. Equipped with a 1,400-watt LED white light engine, this spot profile moving head produces an enormous light output of 50,000 lm, providing powerful spot and gobo projections on even the largest stages and much more.

After the smaller sibling OPUS® X PROFILE, with its 750 watts, already impressed in countless live, TV, and theater productions, the OPUS® X4 PROFILE now marks the next stage of OPUS® development. With its 1,400 W LED engine featuring a 193 mm front lens and a vast zoom range from 5° to 55°, the OPUS® X4 PROFILE is well-suited for flexible use as a spot and profile moving head. Despite the tremendous increase in power, the moving head remains exceptionally compact and, at a weight of only 43 kg, is particularly easy to handle.

Great shows thrive on great effects. With two rotating gobo wheels, a rotating animation wheel, an iris, and a 4-fold shutter system with individually +/- 60° rotatable framing blades, the OPUS® X4 PROFILE leaves no lighting designer's wishes unfulfilled. Colours are generated by the spot profile moving head through its stepless CMY colour mixing and two additional colour wheels. Additionally, a linear CTO filter for precise use on stages, in theater, or TV productions, as well as two frost filters with 1°-5°, are available.

For flexible control, the OPUS® X4 PROFILE is compatible with all relevant market protocols – whether digital, wireless, or network-based. For secure transport, Cameo also supplies the OPUS® X4 PROFILE with a specially designed, shock-protective touring case insert.

Features and specifications  
subject to change without notice.

[adamhall.com](http://adamhall.com)

# OPUS<sup>®</sup> X4 PROFILE

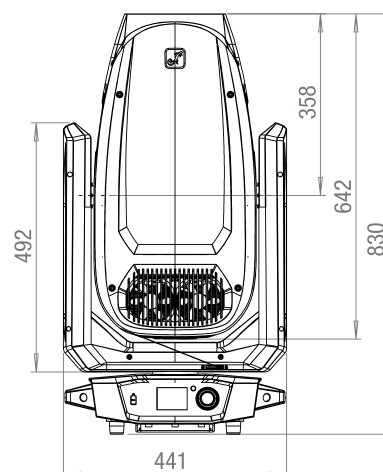
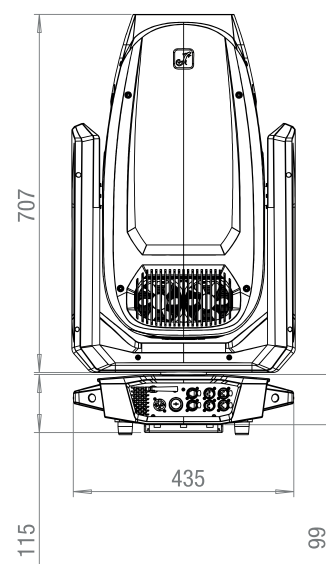
## 1400W LED SPOT PROFILE MOVING HEAD



### SPECIFICATIONS

Photometric data	
Illuminant type	LED
Light output	1400 W
Lighting power	50,000 lm
Light intensity – indicated value	37,000 lx
Light intensity – distance	10 m
Light intensity – angle	5.5°
Light intensity (2) – indicated value	1,100 lx
Light intensity (2) – distance	10 m
Light intensity (2) – angle	48°
Diameter front lens	182 mm
Zoom range	5°– 55°
Focusing	Motorised
LED PWM frequency	650 Hz; 1,530 Hz; 3,600 Hz; 12 kHz; 18.9 kHz; 25 kHz
Dimmer resolution	16 bit
Dimmer curves	Linear; exponential; logarithmic; S-curve
Colours	
Colour mixing functions	CMY + CTO
LED colours	White
Correlated colour temperature (CCT)	6000K
CTO function	Linear CTO + Fixed CTO/CTB Filter on second colour wheel
Min. colour rendering index (CRI)	69 (high CRI filter: 90)
Colour wheels	2
Colour wheel 1 – functions	Scroll/snap
Colour wheel 1 – colours	Open; Deep Red; Medium Blue; Deep Green; Amber; Deep Blue
Colour wheel 2 – functions	Scroll/snap
Colour wheel 2 – colours	Open; CTO 2600K; CTO 3200K; CTB 7500K; CTB 9000K; High CRI
Movement	
Pan	0° – 270°
Tilt	0° – 540° / 630°
Effects	
Gobo wheels	2
Gobo wheel 1 – functions	Rotatable + indexable + scroll/snap
Gobo wheel 1 – gobos	6 + Open
Gobo wheel 2 – functions	Rotatable + indexable + scroll/snap
Gobo wheel 2 – gobos	6 + Open
Prism levels	1 plane with 2 prisms
Strobe	1 – 20 Hz
Iris	Yes
Frost	2 × on the same level
Animation	Yes
Aperture slider	Yes
Rotation module	+/- 60°
Control system	
Control protocols	Art-Net, CRMX, DMX512; RDM, sACN, W-DMX (transceiver)
Number of DMX control modes	3
Further DMX functions	System settings
Stand-alone operating modes	Play Scene; Play Loop; Master-Slave; Slave Grouping
Special features in the system settings	Mains-independent configuration of system settings possible
Data input connection	RJ45 socket
Data output connector	RJ45 socket

### DIMENSIONS (mm)



# OPUS<sup>®</sup> X4 PROFILE

## 1400W LED SPOT PROFILE MOVING HEAD



### SPECIFICATIONS

Mains operation	
Operating voltage	100 – 240 V AC 50 – 60 Hz
Power consumption	1670 W
Min. power factor Cos Phi (230 V)	0.99
Current consumption	7.3 A
Mains connection	TRUE1-compatible
Fuse	T25AL/250 V
Fuse replacement	Possible from the outside without opening
Housing	
Housing material	ABS
Surface coating	Powder-coated
Colour	Black
Cooling	
Cooling system	Temperature-dependent fan control
Cooling modes	Auto, Maximum, Silent, On/Off
Ambient conditions	
Protection class	IP20
Risk group	RG2
Ambient temperature	0–40°C
Maximum humidity	<80%, non-condensing
Minimum distance to illuminated surface	5 m
Minimum distance to normally flammable materials	0.5 m
Dimensions and weight	
Width	441 mm
Height	830 mm
Depth	312 mm
Weight	44.0 kg
Additional features	
Included accessories	2 × Omega bracket + mains cable

### DIMENSIONS (mm)

