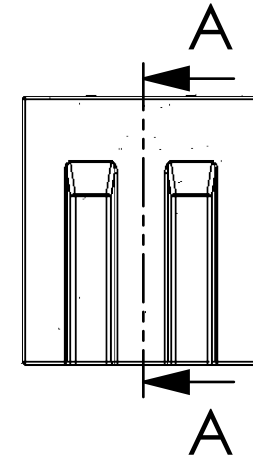
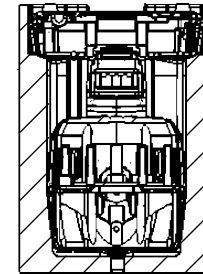
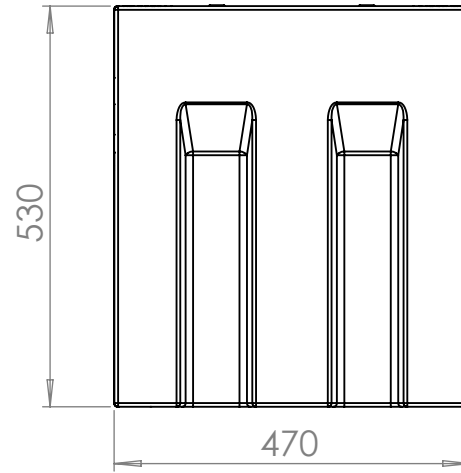
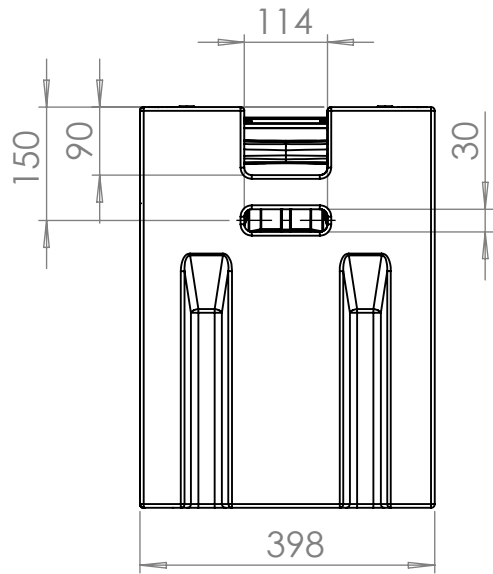
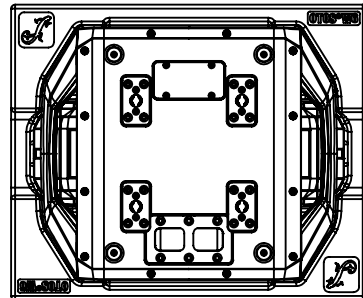


B-B  
MABSTAB 1 : 15



A-A  
MABSTAB 1 : 15



## OTOS W6 INSERT

Art No.: CLOTOSW6INSERT  
Drawing No.: 018265-2  
Scale 1:10



Cameo® is a registered brand of the Adam Hall Group.  
Adam-Hall-Str. 1 · 61267 Neu-Anspach · Germany  
DESIGNED AND ENGINEERED IN GERMANY. Assembled in PRC