

USER'S MANUAL
BEDIENUNGSANLEITUNG
MANUEL D'UTILISATION
MANUAL DE USUARIO
INSTRUKCJA OBSŁUGI
MANUALE D' USO



G4 FC

TRACKLIGHT WITH RGBL LED
CLG4FC / CLG4FCWH

CONTENTS / INHALTSVERZEICHNIS / CONTENU / CONTENIDO / TREŚĆ / CONTENUTO

ENGLISH

INFORMATION ON THIS USER MANUAL	6
INTENDED USE	6
DEFINITIONS AND SYMBOL EXPLANATIONS	6
SAFETY INSTRUCTIONS	7
INSTRUCTIONS FOR INDOOR INSTALLATION EQUIPMENT INCLUDED	11
INTRODUCTION	11
CONNECTIONS, OPERATING AND DISPLAY ELEMENTS	12
OPERATION PER UNIT CONTROLLER CAMEO UNICON (optionally available)	14
MOUNTING	22
FITTING THE DIRECTIONAL GRILLE, DIFFUSER AND FILTER	23
OPTIONAL ACCESSORIES	24
CARE, MAINTENANCE AND REPAIR	24
DIMENSIONS	25
TECHNICAL DATA	26
MINIMUM DISTANCE TO ILLUMINATED SURFACE	27
MINIMUM DISTANCE TO NORMALLY FLAMMABLE MATERIALS	27
DISPOSAL	27
MANUFACTURER'S DECLARATIONS	28

DEUTSCH

INFORMATIONEN ZU DIESER BEDIENUNGSANLEITUNG	29
BESTIMMUNGSGEMÄSSER GEBRAUCH	29
BEGRIFFS- UND SYMBOLERKLÄRUNGEN	29
SICHERHEITSHINWEISE	30
HINWEISE FÜR INDOOR-INSTALLATIONSGERÄTE	34
LIEFERUMFANG	34
EINFÜHRUNG	35
ANSCHLÜSSE, BEDIEN- UND ANZEIGEELEMENTE	36
BEDIENUNG PER UNIT CONTROLLER CAMEO UNICON (optional erhältlich)	38
MONTAGE	46
RICHTGITTER, STREUSCHEIBE UND FILTER MONTIEREN	47
OPTIONALES ZUBEHÖR	48
PFLEGE, WARTUNG UND REPARATUR	49
ABMESSUNGEN	50
TECHNISCHE DATEN	51

MINDESTABSTAND ZUR BELEUCHTETEN FLÄCHE	52
MINDESTABSTAND ZU NORMAL ENTFLAMMBAREN MATERIALIEN	52
ENTSORGUNG	52
HERSTELLERERKLÄRUNGEN	53

FRANÇAIS

INFORMATIONS SUR CE MANUEL D'UTILISATION	54
UTILISATION PRÉVUE	54
DÉFINITIONS ET EXPLICATION DES PICTOGRAMMES	54
CONSIGNES DE SÉCURITÉ	55
INSTRUCTIONS POUR L'INSTALLATION DE L'APPAREIL EN INTÉRIEUR	59
CONTENU DU CARTON	59
INTRODUCTION	60
BRANCHEMENTS, UTILISATION ET INDICATEURS	61
UTILISATION AVEC CONTRÔLEUR CAMEO UNICON (disponible en option)	63
MONTAGE	72
MONTAGE DE LA GRILLE DIRECTIONNELLE, DU DIFFUSEUR ET DU FILTRE	73
ACCESSOIRES EN OPTION	74
ENTRETIEN, MAINTENANCE ET RÉPARATIONS	74
DIMENSIONS	75
CARACÉRISTIQUES TECHNIQUES	76
DISTANCE MINIMALE PAR RAPPORT À LA SURFACE ÉCLAIRÉE	77
DISTANCE MINIMALE PAR RAPPORT AUX MATÉRIAUX NORMALEMENT INFLAMMABLES	77
MISE AU REBUT	78
DÉCLARATIONS DU FABRICANT	78

ESPAÑOL

INFORMACIÓN SOBRE ESTE MANUAL DEL USUARIO	80
USO PREVISTO	80
DEFINICIONES Y EXPLICACIONES DE LOS SÍMBOLOS	80
INSTRUCCIONES DE SEGURIDAD	81
NOTAS PARA LOS EQUIPOS QUE SE INSTALAN EN INTERIORES	85
CONTENIDO DEL EMBALAJE	86
INTRODUCCIÓN	86
CONEXIONES, MANDOS E INDICADORES	87
FUNCIONAMIENTO POR UNIDAD CONTROLADOR CAMEO UNICON (disponible opcionalmente)	89
MONTAJE	97

CONTENTS / INHALTSVERZEICHNIS / CONTENU / CONTENIDO / TREŚĆ / CONTENUTO

MONTAJE DE LA REJILLA DIRECCIONAL, EL DIFUSOR Y EL FILTRO	99
ACCESORIOS OPCIONALES	100
CUIDADO, MANTENIMIENTO Y REPARACIÓN	100
DIMENSIONES	101
DATOS TÉCNICOS	102
DISTANCIA MÍNIMA A LA SUPERFICIE ILUMINADA	103
DISTANCIA MÍNIMA A MATERIALES NORMALMENTE INFLAMABLES	103
RECICLAJE	103
DECLARACIÓN DEL FABRICANTE	104

POLSKI

INFORMACJE NA TEMAT NINIEJSZEJ INSTRUKCJI OBSŁUGI	105
ZAMIERZONE ZASTOSOWANIE	105
DEFINICJE I OBJAŚNIENIA SYMBOLI	105
INSTRUKCJE BEZPIECZEŃSTWA	106
INSTRUKCJE DLA URZĄDZEŃ MONTOWANYCH W POMIESZCZENIACH	110
ZAWARTOŚĆ OPAKOWANIA	110
WPROWADZENIE	111
PRZYŁĄCZA, ELEMENTY OBSŁUGI I WSKAŹNIKI	112
OPERACJA NA JEDNOSTCE STERUJĄCEJ CAMEO UNICON (opcja)	114
MOCOWANIE	122
MONTAŻ KRATKI KIERUNKOWEJ, NAWIEWNIKA I FILTRA	124
AKCESORIA OPCJONALNE	125
PIELĘGNACJA, KONSERWACJA I NAPRAWA	125
WYMIARY	126
DANE TECHNICZNE	127
MINIMALNA ODLEGŁOŚĆ OD OŚWIETLANEJ POWIERZCHNI	128
MINIMALNA ODLEGŁOŚĆ OD MATERIAŁÓW NORMALNIE ŁATWOPALNYCH	128
UTYLIZACJA	128
DEKLARACJE PRODUCENTA	129

ITALIANO

INFORMAZIONI SU QUESTO MANUALE DI ISTRUZIONI	130
USO PREVISTO	130
DEFINIZIONI E SPIEGAZIONI DEI SIMBOLI	130
ISTRUZIONI DI SICUREZZA	131
ISTRUZIONI PER LE APPARECCHIATURE DA INSTALLARE IN INTERNI	135

CONTENUTO DEL L'IMBALLAGGIO	135
INTRODUZIONE	136
CONNESSIONI, ELEMENTI DI COMANDO E DI VISUALIZZAZIONE	137
FUNZIONAMENTO PER UNITÀ CONTROLLER CAMEO UNICON (disponibile come opzione)	139
MONTAGGIO	147
MONTARE LA GRIGLIA DIREZIONALE, IL DIFFUSORE E IL FILTRO	148
ACCESSORI OPZIONALI	149
CURA, MANUTENZIONE E RIPARAZIONE	150
DIMENSIONI (mm)	151
DATI TECNICI	152
DISTANZA MINIMA DALLA SUPERFICIE ILLUMINATA	153
DISTANZA MINIMA DA MATERIALI NORMALMENTE INFLAMMABILI	153
SMALTIMENTO	153
DICHIARAZIONI DEL PRODUTTORE	154
DMX CONTROL / DMX STEUERUNG / PILOTAGE DMX / CONTROL DMX / STEROWANIE DMX / CONTROLLO DMX	155

ENGLISH

You have made the right choice!

This device has been developed and manufactured to the highest quality standards to ensure many years of problem-free operation. Please read this user manual carefully to be able to use your new Cameo product quickly and optimally. Further information about Cameo Light is available on our website **CAMEOLIGHT.COM**.

INFORMATION ON THIS USER MANUAL

- Carefully read the safety instructions and the entire manual before operating the device.
- Observe the warnings on the device and in the user manual.
- Always keep the user manual within reach.
- If you sell or pass on the device, it is important that you also include this user manual, as it is an integral part of the product.

INTENDED USE

This product is a spotlight for permanent installation!

This spotlight is intended exclusively for professional users and is not suitable for private households or third parties!

Use of the product outside the specified technical data and operating conditions, as well as incorrect installation, is considered inappropriate!

Liability for damage and third-party damage to persons and property due to inappropriate use is excluded!

The product is not suitable for:

- Use by persons (including children) with limited physical, sensory or mental abilities or lack of experience and knowledge.
- Children (children must be instructed not to play with the device).

DEFINITIONS AND SYMBOL EXPLANATIONS

1. **DANGER:** The word DANGER, possibly in combination with a symbol, indicates immediately dangerous situations or conditions for life and limb.
2. **WARNING:** The word WARNING, possibly in combination with a symbol, indicates potentially dangerous situations or conditions for life and limb.
3. **CAUTION:** The word CAUTION, possibly in combination with a symbol, is used to indicate situations or conditions that may lead to injury.
4. **ATTENTION:** The word ATTENTION, possibly in combination with a symbol, refers to situations or states that can lead to damage to property and/or the environment.



This symbol identifies hazards that can cause electric shock.



This symbol identifies hazardous areas or hazardous situations.



This symbol indicates hazards caused by hot surfaces.



This symbol indicates hazards caused by intense light sources.



This symbol indicates a device in which there are no user-replaceable parts.



This symbol indicates additional information on the operation of the product.



This symbol indicates a device that may only be used in dry rooms.

SAFETY INSTRUCTIONS



HAZARD:

1. Do not open or modify the unit.
2. If your device no longer functions properly, if liquids or objects get inside it or if it has been damaged in any other way, switch it off immediately and disconnect it from the mains. The device may be repaired only by authorised repair technicians.
3. For devices of protection class 1, the protective conductor must be connected correctly. Never disconnect the protective conductor. Devices of protection class 2 do not have a protective conductor.
4. Ensure that live cables are not kinked or otherwise mechanically damaged.
5. Never bypass the appliance fuse.



WARNING:

1. The device may not be operated if it shows obvious signs of damage.
2. The device may only be installed in a voltage-free state.
3. If the mains cable of the device is damaged, do not operate the device.
4. Permanently connected power cables may only be replaced by a qualified person.



ATTENTION:

1. Do not operate the unit if it has been exposed to large temperature fluctuations (for example, after transport). Moisture and condensation can damage the device. Switch on the device only when it has reached room temperature.

2. Make sure that the voltage and frequency of the mains supply correspond to the values indicated on the unit. If the device has a voltage selector switch, do not connect the device until it has been set correctly. Use only suitable power cables.
3. To disconnect the unit from the mains at all poles, it is not sufficient to press the on/off switch on the unit.
4. Make sure that the fuse used corresponds to the type printed on the unit.
5. Make sure that appropriate measures have been taken against overvoltage (e.g. lightning strike).
6. Observe the specified maximum output current on units with Power Out connection. Ensure that the total current consumption of all connected devices does not exceed the specified value.
7. Replace pluggable mains cables only with original cables.

**HAZARD:**

1. Danger of suffocation! Plastic bags and small parts must be kept out of reach of persons (including children) with reduced physical, sensory or mental capabilities.
2. Danger from falling down! Make sure that the device is securely installed and will not fall down. Only use suitable stands or mounts (particularly for fixed installations). Ensure that accessories are properly installed and secured. Ensure that applicable safety regulations are observed.

**WARNING:**

1. Use the device only in the manner intended.
2. Operate the device only with the accessories recommended and intended by the manufacturer.
3. During installation, observe the safety regulations applicable in your country.
4. After connecting the unit, check all cable routes to avoid damage or accidents, e.g. due to tripping hazards.
5. Always observe the specified minimum distance to normally flammable materials! Unless explicitly stated, the minimum distance is 0.3 m.
6. Always observe the minimum distance to the illuminated surface that can be read on the device!

**CAUTION:**

1. In the case of moving components such as mounting brackets or other moving components, there is a possibility of jamming.
2. In the case of units with motor-driven components, there is a risk of injury from the movement of the unit. Sudden movement of the device can cause shock reactions.
3. The housing surface of the device can become very hot during regular operation. Ensure that accidental touching of the housing is not possible. Always allow the lamp to cool sufficiently before removal, maintenance work and charging etc.





ATTENTION:

1. Do not install or operate the device near any radiators, heat registers, stoves or other heat sources. Ensure that the device is always installed in such a way that it is sufficiently cooled and cannot overheat.
2. Do not place ignition sources such as burning candles near the device.
3. Ventilation openings must not be covered and fans must not be blocked.
4. Use the original packaging or packaging provided by the manufacturer for transport.
5. Avoid shock or impact to the unit.
6. Observe the IP protection class as well as the ambient conditions such as temperature and humidity according to the specification.
7. Devices can be constantly further developed. In the event of deviating information on operating conditions, performance or other device properties between the user manual and the device labelling, the information on the device always takes priority.
8. The unit is not suitable for tropical climates and for operation above 2000 m above sea level.
9. Unless explicitly stated, the unit is not suitable for operation in marine conditions .



For conversion or retrofit sets or accessories provided by the manufacturer, it is essential to observe the instructions included.



CAUTION! IMPORTANT INFORMATION REGARDING LIGHTING PRODUCTS!

1. Never look directly into the beam of light, not even for a short period of time.
2. Never look into the beam of light using optical devices such as a magnifying glass.
3. Stroboscopic effects may cause epileptic seizures in susceptible individuals!
4. Permanently installed lamps are built into these lighting units. These may not be replaced by the user. The lamps contained in this lighting unit may only be replaced by the manufacturer, its service partner, or a similarly qualified person.



SIGNAL TRANSMISSION BY RADIO (e.g. W-DMX or audio radio systems):

The quality and performance of wireless signal transmissions generally depends on the ambient conditions. The following factors can impact range and signal stability, for example:

Shielding (e.g. masonry, metal structures, water)

High volume of radio traffic (e.g. powerful wireless LAN networks)

Interference

Electromagnetic radiation (e.g. LED video screens, dimmers)



All range specifications refer to free-field application with visual contact and without interference!

The operation of transmission systems is subject to official regulations. These may vary from region to region and must be checked by the operator before use (e.g. radio frequency and transmission power).



WARNING: Devices with wireless signal transmission are not suitable for use in sensitive areas in which radio operation can lead to potential detrimental effects. These include:

- Hospitals, health centres or other healthcare facilities that provide patient treatment with skilled personnel and equipment.
- Hazardous areas Class I, II and III
- Restricted areas
- Military facilities
- Aircraft or vehicles
- Areas where the use of mobile phones is prohibited



TRANSMISSION VIA W-DMX

WARNING: In general, wireless DMX transmission must not be used for applications involving safety-related factors that might result in personal injury or property damage in the event of a failure.

This applies in particular to moving scene or traverse structures, DMX-controlled motors/lifts or lifting devices for operating DMX-operated platform lifts, hydraulic systems or comparable moving components.

Furthermore, wireless DMX transmission must not be used to trigger flame or pyrotechnic devices, explosion-driven effects, or to control gas or liquid effects. These include CO2 cannons, confetti shooters, water effects or similar.



AMBIENT TEMPERATURE

Please observe the maximum ambient temperature in operation specified in the technical data. A special protection circuit in the headlamp ensures that the brightness is reduced if the ambient temperature is too high to protect the unit components. If you notice a significant loss of brightness in the headlamp, please check the ambient temperature in the direct vicinity of the headlamp and, if necessary, ensure that the temperature is brought to or below the maximum permitted value.



INSTRUCTIONS FOR INDOOR INSTALLATION EQUIPMENT

1. Equipment for installation applications is designed for continuous operation.
2. Equipment for indoor installation is not weather-resistant.
3. Surfaces and plastic parts can also age in installation equipment, e.g. due to UV irradiation and temperature fluctuations. This generally does not impair functionality.
4. With permanently installed devices, the accumulation of impurities, e.g. dust, is to be expected. Always observe the care instructions.
5. Unless explicitly stated otherwise on the device or in the technical data, the devices are intended for installation heights of less than 5 m.

INCLUDED

Remove the product from the packaging and remove all packaging material. Please check the completeness and integrity of the delivery and notify your distribution partner immediately after purchase if the delivery is not complete or if it is damaged.

Included in the scope of delivery of the product CLG4FC are:

- ▶ 1 x Cameo G4FC Spotlight, black
- ▶ User manual

The scope of delivery of the product CLG4FCWH includes:

- ▶ 1 x Cameo G4FCWH Spotlight, white
- ▶ User manual

INTRODUCTION

LED Gallery Light with one 40 W RGBL LED

CLG4FC (black housing)

CLG4FCWH (white housing)

CONTROL FUNCTIONS

1CH, 2CH 16 bit, 3CH CCT, 3CH Presets, 4CH Direct, 5CH HSI,
8CH Direct + CCT and 12CH 16 Bit Full Access DMX Control
W-DMX™

Standalone function (set up via Cameo Unicon)

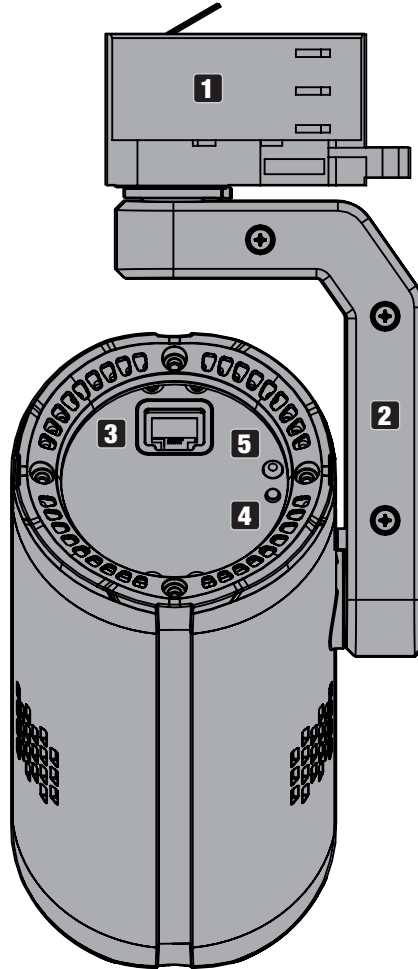
FEATURES

Compatible with GLOBAL pro (formerly NOKIA) XTS, XTTS and XTSC 3-phase tracks.
40 W RGBL LED. W-DMX™. DMX512. RJ45-Anschluss. Operating voltage: 100–240 V AC.
Diffusing screens, filters and straightening grids optionally available.

The spotlight features the RDM standard (Remote Device Management). This remote device management enables the status query and configuration of RDM end devices via an RDM-capable controller, such as the optionally available Cameo UNICON (item number CLIREMOTE).

The Cameo UNICON also allows access to the entire fixture menu.

CONNECTIONS, OPERATING AND DISPLAY ELEMENTS



1 RAIL ADAPTER

Rail adapter for mounting on a compatible 3-phase rail.

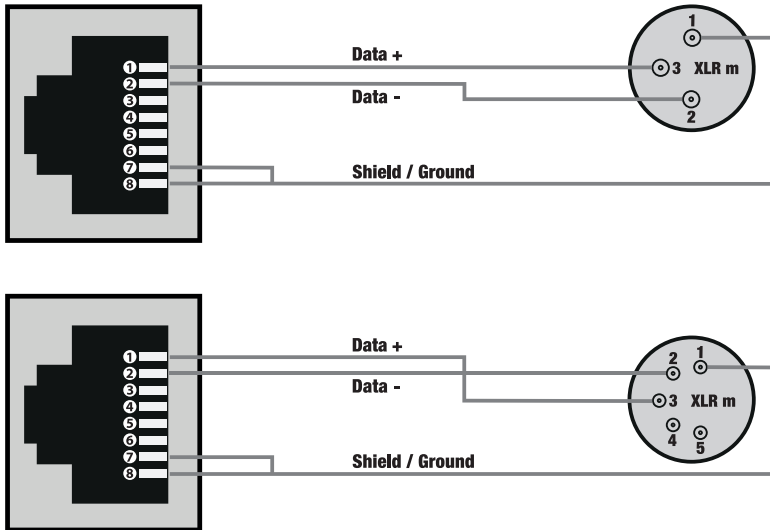
2 TILTABLE AND SWIVELLING SUPPORT ARM

Support arm with two joints for adjusting the beam direction on the horizontal and vertical plane.

3 RJ45 INTERFACE

Interface for configuring and controlling the fixture using the Cameo UNICON DMX/RDM controller. The fixture can also be configured using another RDM controller and controlled using a standard DMX controller.

Pin assignment:



4 W-DMX RESET BUTTON

Button for disconnecting W-DMX connections and for pairing the spotlight with W-DMX devices. The housing surface of the device can become very hot during regular operation. Always allow the unit to cool down sufficiently before operating the button. Activate the fixture's W-DMX receiver via Cameo UNICON and reset the receiver by pressing the button for about 3 seconds. All previous connections are disconnected and the receiver is put into pairing standby for about 1 minute, the status LED no. 5 flashes red quickly. The receiver is now waiting for a transmitter pairing request. Start the pairing process on the transmitter; the pairing occurs automatically. In the same way, several receivers can be paired to a transmitter either simultaneously or one after the other. A W-DMX connection is always maintained until the connection is disconnected by means of the Reset command in the receiver or the Unlink command in the transmitter, regardless of whether a device has been disconnected from the power supply in the meantime.

5 STATUS LED

The LED shows the current status of the spotlight when controlled via cable and W-DMX.

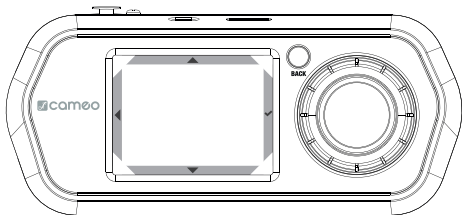
Control via cable (RJ45, W-DMX deactivated)

LED lights up permanently blue	DMX signal is present
LED flashes blue	No DMX signal
LED off	Stand-alone operation


Control via W-DMX™

LED flashes red with approx. 1Hz	Activate W-DMX
LED flashes red quickly	Pairing with a transmitter cancelled and set to pairing readiness
LED is permanently lit green	Paired, DMX signal present
LED flashes green	Paired, no DMX signal

OPERATION PER UNIT CONTROLLER CAMEO UNICON (optionally available)

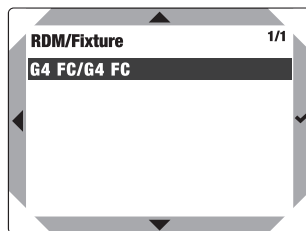
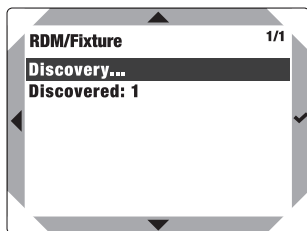
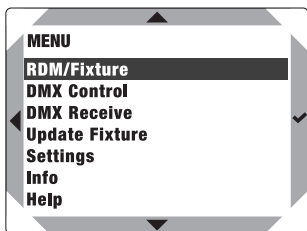


Functions of the controls

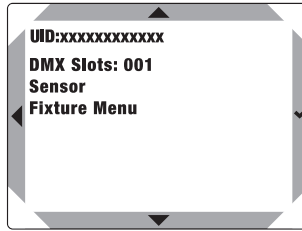
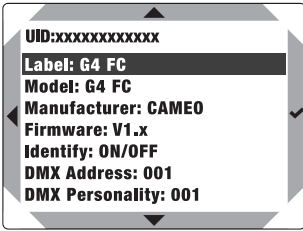
Display		Encoder + BACK
▲	Value up	↻
▼	Value down	↻
◀	Back	Back
✓	Confirm	 Encoder

After you have switched on the Unit Controller UNICON (briefly press BACK to switch on), "Update, Please Wait" (for service purposes only) appears in the display for a short time and then the main menu. Connect the remote unit to the Gallery Light G4 FC via network cable and connect the spotlight to the power supply.


Select the menu item **RDM/Fixture** and confirm the selection. Now the system searches for connected RDM devices (Discovery) and if the G4 FC is correctly connected and switched on, a device is found (Discovered: 1). After a short time, the G4 FC is displayed as the only unit in a list (the first part of the displayed RDM unit shows the unit model, the second part behind "/" is the label and can be individually adjusted in the menu item **Label** for easier identification). Now confirm to enter the submenu.



All information and configuration options for the spotlight that can be called up and edited via RDM are now displayed.




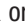

List of information and configuration options with explanations:

UID:	Individual and unchangeable identification number of the selected RDM device	
Label:	Individually adjustable marking of the RDM unit	
Model:	Device model	
Manufacturer:	Device manufacturer	
Firmware:	Device firmware	
Identify:	ON	Selected spotlight flashes with approx. 1 Hz
	OFF	Flashing disabled
DMX address	Current DMX start address (can be edited in the menu option)	
DMX Personality:	Current DMX mode (can be edited in the menu option)	
DMX slots:	Number of channels in current DMX mode	
Sensor	LED temperature (press  to display)	
Fixture Menu	Individual Cameo device menu for editing settings (see DEVICE MENU (Fixture Menu))	

LABEL

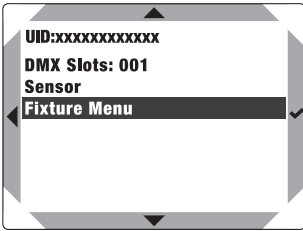
In the RDM/Fixture menu, select **Label** and confirm the selection to individually name the RDM device.



Select characters:	 or  or turn the encoder
Delete all characters:	Reset
Set space:	Space
Reset position:	Clean
Secure labelling:	Save
Confirm command or character and select the next digit:	Press  or encoder

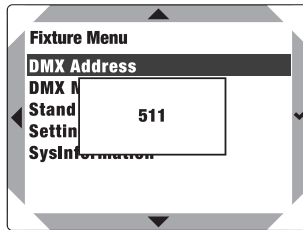
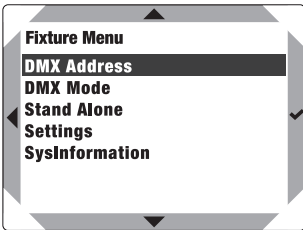
DEVICE MENU (Fixture Menu):

In the RDM/Fixture menu, select **Fixture Menu** and confirm the selection.



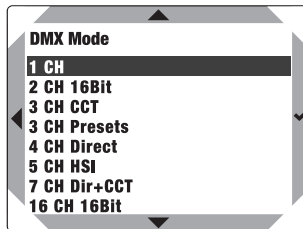
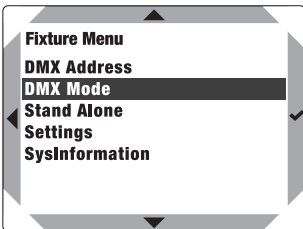
CONFIGURE DMX START ADDRESS

Select **DMX Address**, confirm the selection, set the desired DMX address and confirm the entry. (highest value depends on the currently activated DMX operating mode)



SELECT DMX MODE

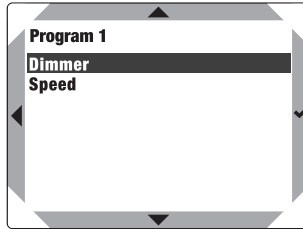
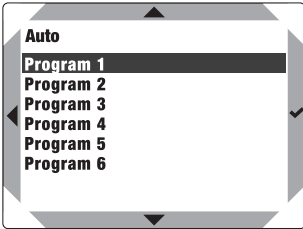
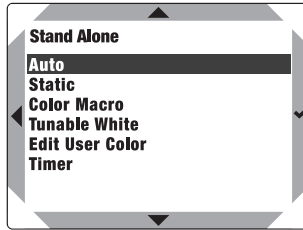
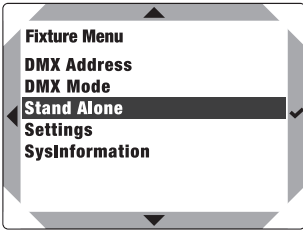
Select **DMX Mode**, confirm the selection, then select the desired DMX mode and confirm the selection.



AUTO STANDALONE MODE

The 6 available auto-programs each comprise non-editable colour-change sequences. Brightness (Dimmer) and running speed (Speed) are separately adjustable in each programme.

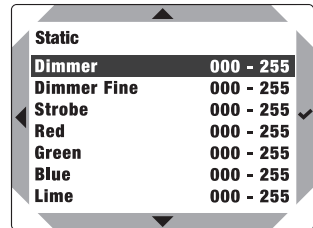
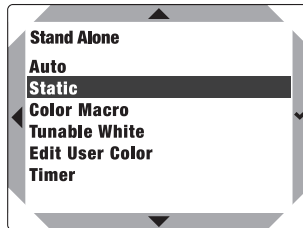
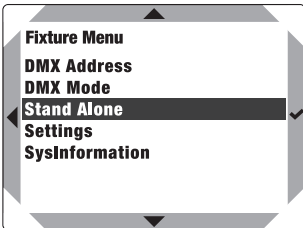
Select **Stand Alone**, confirm the selection, then select **Auto** and confirm again. Now select the desired program (Program 1 - Program 6) and confirm again. Now select **Dimmer** or **Speed**, confirm and set the brightness or speed value from 001 to 100 as desired. Confirm all entries.



STATIC STANDALONE MODE

The Static standalone mode allows the Dimmer, Dimmer Fine, Strobe and RGBAL values to be set directly on the device with values between 000 and 255, in a similar way to with a DMX controller. In this way, an individual scene can be created without an additional DMX controller.

Select **Stand Alone**, confirm the selection, then select **Static** and confirm again. Now select the menu item you wish to edit and confirm the selection. In the selected menu item, set the desired value from 000 to 255 and confirm the entry. The values for the strobe effect correspond to the values in channel 2 of the DMX table 3 CH presets.

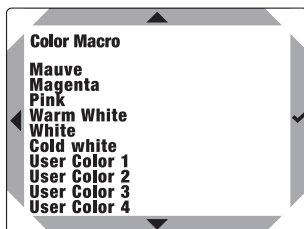
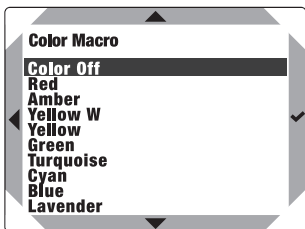
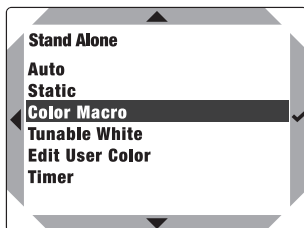
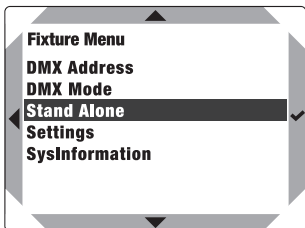


STANDALONE MODE COLOR MACRO

15 different colour macros and 4 individual colours (User Color 1-4) are available as presets. The brightness can be adjusted for each preset.

Select **Stand Alone**, confirm the selection, then select **Color Macro** and confirm again. Select the desired colour preset and confirm (Color Off = blackout). The brightness of the selected preset can now be adjusted from 000 to 100. Confirm all entries.

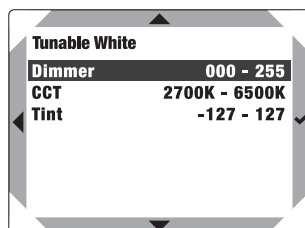
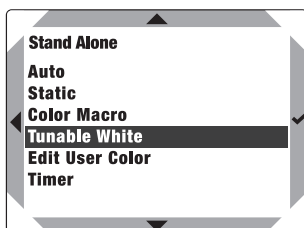
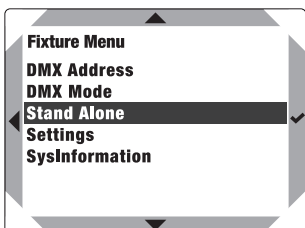
The individual colours User Color 1-4 are created in menu item **Edit User Color** in the **Stand Alone** menu.



STANDALONE MODE TUNEABLE WHITE

In the standalone mode Tuneable White, the colour temperature (CCT) can be adjusted from 1800 K to 6500 K in 100 K increments, in addition to the brightness (Dimmer) and colour (Tint).

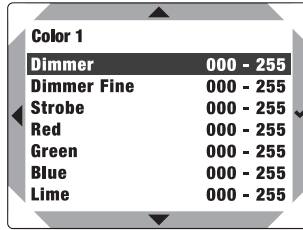
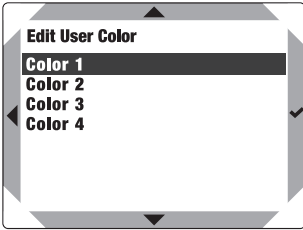
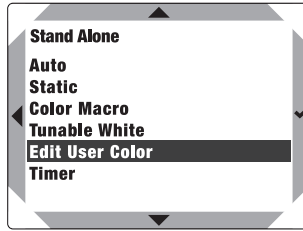
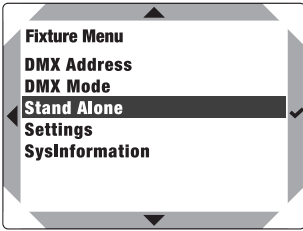
Select **Stand Alone**, confirm the selection, then select **Tunable White** and confirm again. Now select the menu item you wish to edit and confirm the selection. Set the desired value and confirm the entry.



STAND-ALONE CATEGORY EDIT USER COLOUR

In the stand-alone category Edit User Color, you have the option of saving brightness (Dimmer and Dimmer Fine), stroboscope (Strobe) and a colour mix of R, G, B and L directly in the unit in four individual colour presets.

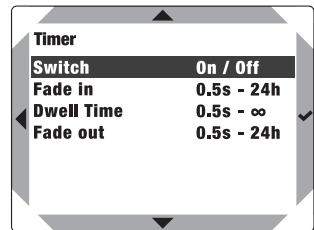
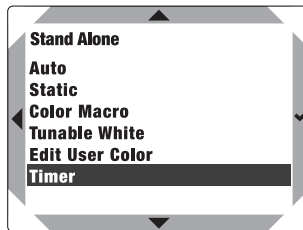
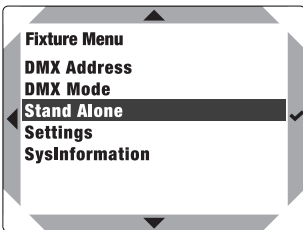
Select **Stand Alone**, confirm the selection, then select **Edit User Color** and confirm again. Select the desired preset (Color 1 - Color 4) and confirm the selection. Now select the menu item you wish to edit and confirm. Set the desired value from 000 to 255 and confirm again. The values for the strobe effect correspond to the values in channel 2 of the DMX table 3 CH presets.



TIMER FUNCTION

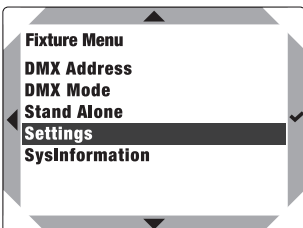
The timer function allows the standalone modes Static, Color Macro and Tuneable White to be timer controlled in such a way that the Fade In time can be configured from 0.5 seconds to 24 hours, the Dwell Time from 0.5 seconds to 24 hours and infinite (Limitless) and the Fade Out time from 0.5 seconds to 24 hours. After activation of the timer function, the timer control will be implemented upon the next system start.

Select **Stand Alone**, confirm the selection, then select **Timer** and confirm again. Under **Switch**, select the setting **On** and confirm. For the individual timer control settings, select **Fade In**, **Dwell Time** or **Fade Out** and confirm. You can now set the respective value as desired. Confirm all entries. To deactivate the timer function, under point **Switch**, select the setting **Off** and confirm.



SYSTEM SETTINGS (Settings)

Select **Settings** and confirm.



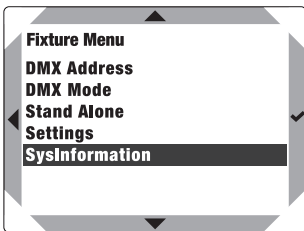
This will take you to the submenu for configuring the submenu items (see table):

Settings				
DMX Fail	=	Operational status with DMX signal fault	Hold	Last command is retained
			User Colour 1	Activates User Color 1
			Fade out 10s	10 seconds fade to blackout
			Blackout	Activates blackout
			Full On	All LEDs 100% output
Dimmer Curve	=	Dimmer curve	Linear	Light intensity increases linearly with DMX value
			Exponential	Light intensity can be finely adjusted at lower DMX values and broadly adjusted at higher DMX values
			Logarithmic	Light intensity can be broadly adjusted at lower DMX values and finely adjusted at higher DMX values
			S-curve	Light intensity can be finely adjusted at lower and higher DMX values and broadly adjusted at medium DMX values
Dimmer Response	=	Dimmer response	LED	Light responds abruptly to changes in DMX value
			Halogen	Light behaves like a halogen spotlight with slight brightness changes
Red Shift	=	Accurately mimics the colour drift of dimming a halogen spotlight.	Off	Colour drift is disabled
		Spotlight, the colour temperature automatically changes progressively to warm white and amber (and vice versa).	On	Colour drift is enabled
PWM Frequency	=	Configuration of PWM frequency	800 Hz / 1200 Hz / 2000 Hz / 3600 Hz / 12 kHz / 25 kHz	
Calibration	=	Colour calibration	Red	Individual colour calibration. Cross-mode brightness setting of R, G, B, A and L with values from 000 - 255.
			Green	
			Blue	
			Lime	
W-DMX	=	Switching wireless control on and off	Off	Wireless control disabled
			On	Wireless control activated

Status LED	=	Set status LED	Always On	LED Permanently on
			OFF	LED off
			Off after 30s	LED is switched off after 30 seconds
Power	=	Operating mode	Constant	Constant brightness over long periods
			Maximum	Maximum brightness
Factory Reset	=	Reset to factory settings	Reset?	Resetting to factory settings: Perform reset with ENTER, cancel with MENU
Factory Reset WC	=	Reset to factory settings except User Colors	WC Reset?	Resetting to factory settings apart from User Colors: Perform reset with ENTER, cancel with MENU

SYSTEM INFORMATION (SysInformation)

Starting from the main display, press the encoder to enter the main menu . Select the menu item **SysInformation** and confirm the selection.



This will take you to the submenu for accessing the system information (see table):

SysInformation				
Firmware	=	Displays device firmware	Main CPU V1.xx	
Temperature	=	Displays temperature of LED unit	LED TEMP	xx °C / xx °F
			Temperature Unit	Celsius (= display in degrees Celsius) Fahrenheit (= display in degrees Fahrenheit)
Operation Hours	=	Displays operating time	xx:xx h	Display of the unit operating time in hours and minutes

MOUNTING



HAZARD: Overhead mounting requires extensive experience, including the calculation of the load limit values of the installation material and regular safety inspection of all installation materials and spotlights. If you do not have these qualifications, do not attempt to perform an installation yourself. Refer instead to a qualified professional. There is a risk that devices that are incorrectly mounted and secured may come loose and fall down. This can cause serious injury or death.



DANGER: Only use the spotlight for horizontally mounted rails (horizontal ceiling mounting)! The spotlight is not suitable for inclined rails and wall mounting!



WARNING: Before mounting or dismantling, make sure that no electrical voltage is applied to the 3-phase rail (switch off fuses)!

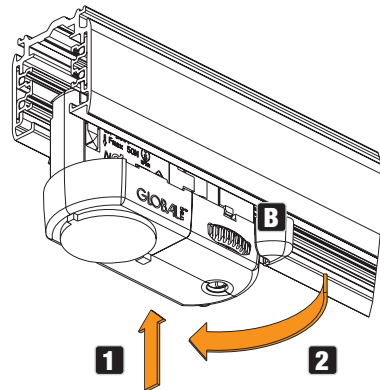
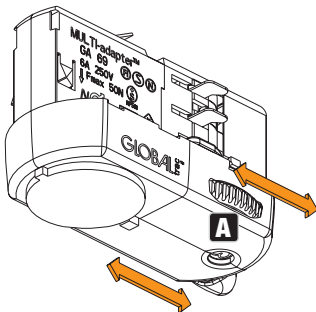


ATTENTION: The spotlight is not suitable for use with external dimmers!

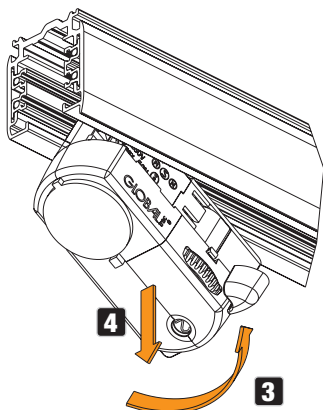
Use the knurled wheel A to set to phase 1, 2 or 3 (see window below the knurled wheel; 0 = off). The adjustment can be made before or after mounting on a rail.

To mount on a rail, open the locking lever B of the rail adapter (lever in open position in the illustration) and then press the adapter into the rail until it lies flat on the rail edges (Fig. 1).

Secure the connection by closing the locking lever again (Fig. 2).



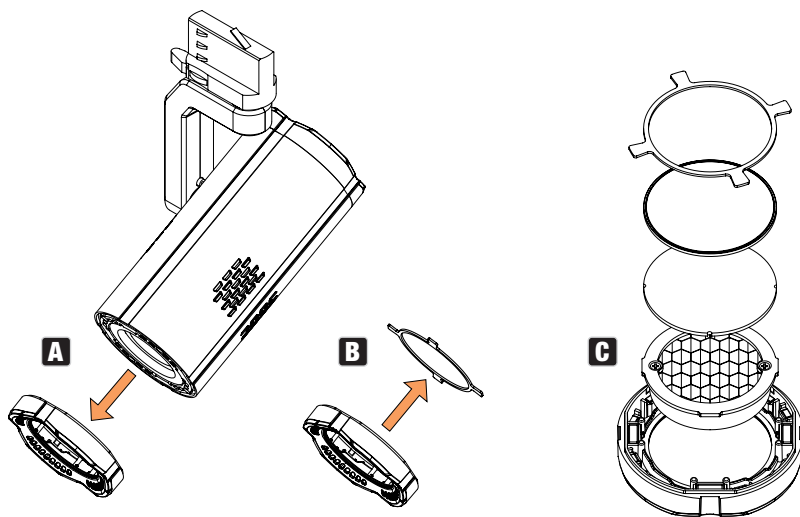
To dismantle the headlamp, open the locking lever (fig. 3) and pull the headlamp downwards out of the rail (fig. 4).



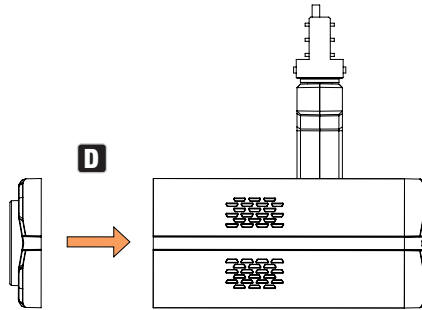
FITTING THE DIRECTIONAL GRILLE, DIFFUSER AND FILTER

Up to three optionally available accessories can be mounted in combination in front of the headlamp's exit lens (see OPTIONAL ACCESSORIES).

Remove the end ring held by strong magnets from the headlamp (fig. A) and then remove the retaining ring, also held by magnets, from the end ring (fig. B). Now place the desired accessories (in example C, first the straightening grid, then a diffusing disc and then a CTO filter) in the end ring and then place the retaining ring on the accessories in the end ring. Which of the three possible positions the retaining ring is placed in depends on the total height of the inserted accessories.



Now place the end ring including accessories on the lamp as shown in figure D.



OPTIONAL ACCESSORIES

Filter

CLG4CTB (CTB Filter)

CLG4CTO (CTO filter)

Diffusers

CLG46010LENS (60° x 10°)

CLG410LENS (10°)

CLG420LENS (20°)

CLG430LENS (30°)

CLG460LENS (60°)

Straightening grids

CLG4HC (Honeycomb, black)

CLG4HCWH (Honeycomb, white)

CARE, MAINTENANCE AND REPAIR

In order to ensure the long-term, proper functioning of the device, it must be regularly cleaned and, if necessary, maintained. The maintenance requirement depends on the intensity of use and the environment in which it is used.

We generally recommend a visual inspection before each operation. Furthermore, we recommend carrying out all the applicable maintenance measures specified below once every 500 operating hours or, in the case of a lower intensity of use, at the latest after one year. Warranty claims may be limited in the event of defects resulting from inadequate maintenance.

CARE (carried out by user)



WARNING! Before carrying out any care or maintenance, the power supply – and, if possible, all device connections – must be disconnected.



PLEASE NOTE! Improper care can lead to impairment of the device or even its destruction.

1. Housing surfaces must be cleaned with a clean, damp cloth. Make sure that no moisture can penetrate the device.
2. Air inlets and outlets must be regularly cleaned of dust and dirt. If compressed air is used, make sure that damage to the device is prevented (e.g. fans must be blocked in this case).
3. Lines and plug contacts must be cleaned regularly and dust and dirt must be removed.
4. In general, no cleaning agents or abrasive agents may be used, otherwise the surface finish may be damaged.
5. Devices must generally be stored dry and protected from dust and dirt.

MAINTENANCE AND REPAIR (by qualified personnel only)



HAZARD! There are live components in the device. Even after disconnecting the mains connection, there may still be residual voltage in the device, for example, due to charged capacitors.



PLEASE NOTE! There are no user-serviceable assemblies in the device.

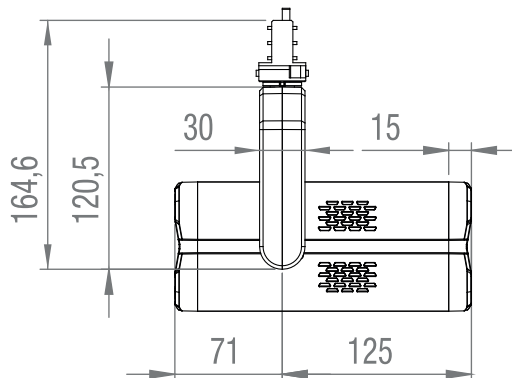


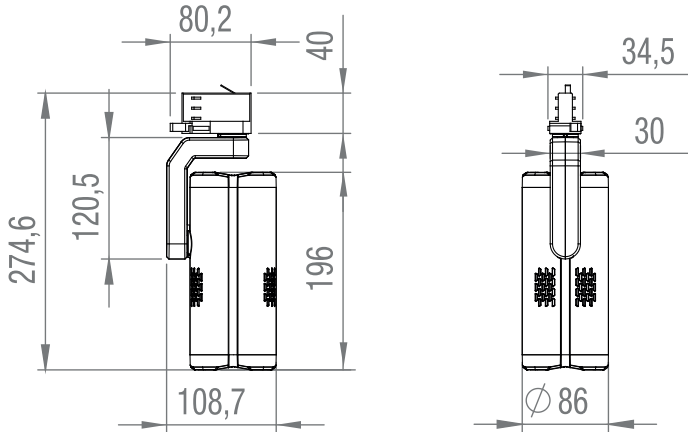
PLEASE NOTE! Maintenance and repair work may only be carried out by qualified specialist personnel authorised by the manufacturer. If in doubt, consult the manufacturer.



PLEASE NOTE! Improperly performed maintenance work may affect the warranty claim.

DIMENSIONS (mm)



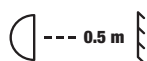


TECHNICAL DATA

Product number:	CLG4FC(WH)
Product type:	LED spotlight
Type:	Installation spotlight
Colour spectrum:	RGBL
Number of LEDs:	1
LED type:	4in1 Chip
LED output:	40 W
LED PWM frequency:	800 Hz, 1200 Hz, 2000 Hz, 3600 Hz, 12 kHz, 25 kHz(adjustable)
Half chaff angle:	5
Tenth scattering angle:	10
DMX input:	1x RJ45
DMX output:	----
DMX functions:	Dimmer, Dimmer Fine, Strobe, Red, Green, Blue, Lime, Hue, Saturation, Colour Temperature, Tint, Colour Presets, Colour Blending, Record User Colours, Device Settings
Control:	DMX512, W-DMX™, RDM
Standalone functions:	Static
Operating controls:	W-DMX Button + External Control Remote
Operating voltage:	100–240 V AC/50–60 Hz
Power consumption:	40 W
Inrush current:	45A / 0.3ms (first half-wave)
Luminous flux:	FULL ON: 410lm

Colour reproduction index Ra	>77 @6500K
Compatible rails:	GLOBAL pro (formerly NOKIA) XTS, XTTS and XTSC 3-phase tracks
Power supply connection:	Rail adapter (selectable phase)
Ambient temperature (in operation):	0°C – 40°C
Relative air humidity:	<80%, non-condensing
Housing colour:	Black (CLG4FC) White (CLG4FCWH)
Housing material:	Metal
Housing cooling:	Convection cooling
Minimum distance to illuminated surface:	0.5 m
Minimum distance to normally flammable materials:	0.5 m
Dimensions (Ø x L, without support arm):	86 x 196 mm
Weight:	1.3 kg
RDP (Material Group A)	0,25 @ 2700K; 0,44 @ 6500K
RDP (Material Group B)	0,58 @ 2700K; 0,60 @ 6500K
Accessories (optional):	Interchangeable lenses (10°, 20°, 30°, 60°, 60°x10°) Honeycomb, CTO filter, CTB filter

MINIMUM DISTANCE TO ILLUMINATED SURFACE



This symbol with distance specification in metres (m) indicates the minimum distance between the light head and the illuminated surface. In this example, the distance is 0.5 m. Please refer to the technical data in this manual and the imprint on the unit casing for the value valid for this unit!

MINIMUM DISTANCE TO NORMALLY FLAMMABLE MATERIALS



This symbol with distance specification in metres (m) indicates the minimum distance between the light head and normally flammable materials. In this example, the distance is 0.5 m. Please refer to the technical data in this manual for the value valid for this unit!

DISPOSAL



PACKAGING:

1. Packaging can be fed into the reusable material cycle using the usual disposal methods.
2. Please separate the packaging in accordance with the disposal laws and recycling regulations in your country.



DEVICE:

1. This appliance is subject to the European Directive on Waste Electrical and Electronic Equipment as amended. WEEE Directive Waste Electrical and Electronic Equipment. Old appliances do not belong in household waste. The old device must be disposed of via an approved disposal company or a municipal disposal facility. Please observe the applicable regulations in your country!
2. Observe all disposal laws and regulations applicable in your country.
3. As a private customer, you can obtain information on environmentally-friendly disposal options from the seller of the product or the appropriate regional authorities.

MANUFACTURER'S DECLARATIONS

Manufacturer's warranty & limitation of liability

Adam Hall GmbH, Adam-Hall-Str. 1, D-61267 Neu-Anspach /

E-Mail Info@adamhall.com / +49 (0)6081 / 9419-0

Our current warranty conditions and limitation of liability can be found at:

https://cdn-shop.adamhall.com/media/pdf/Manufacturers-Declarations-CAMEO_DE_EN_ES_FR.pdf

In case of service, please contact your sales partner.

CE conformity

Adam Hall GmbH hereby confirm that this product meets the following guidelines (where applicable):

Low-Voltage Directive (2014/35/EU)

EMC Directive (2014/30/EU)

RoHS (2011/65/EU)

RED (2014/53/EU)

EC Declaration of Conformity

Declarations of conformity for products subject to the LVD, EMC, RoHS Directive can be requested from info@adamhall.com

Declarations of conformity for products subject to RED can be downloaded from www.adamhall.com/compliance/

Subject to misprints and errors, as well as technical or other modifications!

Sie haben die richtige Wahl getroffen!

Dieses Gerät wurde unter hohen Qualitätsanforderungen entwickelt und gefertigt, um viele Jahre einen reibungslosen Betrieb zu gewährleisten. Bitte lesen Sie diese Bedienungsanleitung sorgfältig, damit Sie Ihr neues Produkt von Cameo Light schnell und optimal einsetzen können. Weitere Informationen über Cameo Light erhalten Sie auf unserer Website **CAMEOLIGHT.COM**.

INFORMATIONEN ZU DIESER BEDIENUNGSANLEITUNG

- Lesen Sie vor Inbetriebnahme die Sicherheitshinweise und die gesamte Anleitung aufmerksam durch.
- Beachten Sie die Warnungen auf dem Gerät und in der Bedienungsanleitung.
- Bewahren Sie die Bedienungsanleitung immer in Reichweite auf.
- Wenn Sie das Gerät verkaufen oder weitergeben, händigen Sie unbedingt auch diese Bedienungsanleitung aus, da sie ein wesentlicher Bestandteil des Produkts ist.

BESTIMMUNGSGEMÄSSER GEBRAUCH

Bei diesem Produkt handelt es sich um einen Scheinwerfer zur nicht ortsveränderlichen dauerhaften Anbringung!

Dieser Scheinwerfer ist ausschließlich für den sachkundigen Anwender bestimmt und nicht für Privathaushalte und nicht für sachfremde Personen geeignet!

Die Benutzung des Produktes außerhalb der spezifizierten technischen Daten und Betriebsbedingungen, sowie eine fehlerhafte Anbringung, gilt als nicht bestimmungsgemäß!

Haftung für Schäden und Drittschäden an Personen und Sachen durch nicht bestimmungsgemäßen Gebrauch ist ausgeschlossen!

Das Produkt ist nicht geeignet für:

- Personen (einschließlich Kinder) mit eingeschränkten körperlichen, sensorischen oder geistigen Fähigkeiten oder mangelnder Erfahrung und Kenntnis.
- Kinder (Kinder müssen angewiesen werden, nicht mit dem Gerät zu spielen).

BEGRIFFS- UND SYMBOLERKLÄRUNGEN

1. **GEFAHR:** Mit dem Wort GEFAHR, evtl. in Kombination mit einem Symbol, wird auf unmittelbar gefährliche Situationen oder Zustände für Leib und Leben hingewiesen.
2. **WARNUNG:** Mit dem Wort WARNUNG, evtl. in Kombination mit einem Symbol, wird auf potentiell gefährliche Situationen oder Zustände für Leib und Leben hingewiesen.
3. **VORSICHT:** Mit dem Wort VORSICHT, evtl. in Kombination mit einem Symbol, wird auf Situationen oder Zustände hingewiesen, die zu Verletzungen führen können.
4. **ACHTUNG:** Mit dem Wort ACHTUNG, evtl. in Kombination mit einem Symbol, wird auf Situationen oder Zustände hingewiesen, die zu Sach- und/oder Umweltschäden führen können.



Dieses Symbol kennzeichnet Gefahren, die einen elektrischen Schlag verursachen können.



Dieses Symbol kennzeichnet Gefahrenstellen oder gefährliche Situationen.



Dieses Symbol kennzeichnet Gefahren durch heiße Oberflächen.



Dieses Symbol kennzeichnet Gefahren durch intensive Lichtquellen.



Dieses Symbol kennzeichnet ein Gerät, in dem sich keine vom Benutzer austauschbaren Teile befinden.



Dieses Symbol kennzeichnet ergänzende Informationen zur Bedienung des Produkts.



Dieses Symbol kennzeichnet ein Gerät, das nur in trockenen Räumen verwendet werden darf.

SICHERHEITSHINWEISE



GEFAHR:

1. Öffnen Sie das Gerät nicht und verändern Sie es nicht.
2. Wenn Ihr Gerät nicht mehr ordnungsgemäß funktioniert, Flüssigkeiten oder Gegenstände in das Geräteinnere gelangt sind, oder das Gerät anderweitig beschädigt wurde, schalten Sie es sofort aus und trennen es von der Spannungsversorgung. Dieses Gerät darf nur von autorisiertem Fachpersonal repariert werden.
3. Bei Geräten der Schutzklasse 1 muss der Schutzleiter korrekt angeschlossen werden. Unterbrechen Sie niemals den Schutzleiter. Geräte der Schutzklasse 2 haben keinen Schutzleiter.
4. Sorgen Sie dafür, dass spannungsführende Kabel nicht geknickt oder anderweitig mechanisch beschädigt werden.
5. Überbrücken Sie niemals die Gerätesicherung.



WARNUNG:

1. Das Gerät darf nicht in Betrieb genommen werden, wenn es offensichtliche Beschädigungen aufweist.
2. Das Gerät darf nur im spannungsfreien Zustand installiert werden.
3. Wenn das Netzkabel des Geräts beschädigt ist, darf das Gerät nicht in Betrieb genommen werden.
4. Fest angeschlossene Netzleitungen dürfen nur von einer qualifizierten Person ersetzt werden.

**ACHTUNG:**

1. Nehmen Sie das Gerät nicht in Betrieb, wenn es starken Temperaturschwankungen ausgesetzt war (beispielsweise nach dem Transport). Feuchtigkeit und Kondensat könnten das Gerät beschädigen. Schalten Sie das Gerät erst ein, wenn es Umgebungstemperatur erreicht hat.
2. Stellen Sie sicher, dass die Spannung und die Frequenz des Stromnetzes mit den auf dem Gerät angegebenen Werten übereinstimmen. Verfügt das Gerät über einen Spannungswahlschalter, schließen Sie das Gerät erst an, wenn dieser korrekt eingestellt ist. Nutzen sie nur geeignete Netzkabel.
3. Um das Gerät allpolig vom Netz zu trennen genügt es nicht, den Ein-/Aus-Schalter am Gerät zu betätigen.
4. Stellen Sie sicher, dass die eingesetzte Sicherung dem auf dem Gerät abgedruckten Typ entspricht.
5. Stellen Sie sicher, dass geeignete Maßnahmen gegen Überspannung (z.B. Blitzschlag) ergriffen wurden.
6. Beachten Sie den angegebenen maximalen Ausgangsstrom an Geräten mit Power Out Anschluss. Beachten Sie, dass die gesamte Stromaufnahme aller angeschlossenen Geräte den vorgegebenen Wert nicht überschreitet.
7. Ersetzen Sie steckbare Netzleitungen nur durch Originalleitungen.

**GEFAHR:**

1. Erstickungsgefahr! Kunststoffbeutel und Kleinteile müssen außer Reichweite von Personen (einschließlich Kindern) mit eingeschränkten körperlichen, sensorischen oder geistigen Fähigkeiten aufbewahrt werden.
2. Gefahr durch Herabfallen! Stellen Sie sicher, dass das Gerät sicher installiert ist und nicht herunterfallen kann. Verwenden Sie ausschließlich geeignete Stative bzw. Befestigungen (im Besonderen bei Festinstallationen). Stellen Sie sicher, dass Zubehör ordnungsgemäß installiert und gesichert ist. Achten sie dabei darauf, dass geltende Sicherheitsbestimmungen eingehalten werden.

**WARNUNG:**

1. Verwenden Sie das Gerät nur in der vorgesehenen Art und Weise.
2. Betreiben Sie das Gerät nur mit dem vom Hersteller empfohlenen und vorgesehenen Zubehör.
3. Beachten Sie bei der Installation die für Ihr Land geltenden Sicherheitsvorschriften.
4. Überprüfen Sie nach dem Anschluss des Geräts alle Kabelwege, um Schäden oder Unfälle, z. B. durch Stolperfallen zu vermeiden.
5. Beachten Sie unbedingt den angegebenen Mindestabstand zu normal entflammbar Materialien! Sofern dieser nicht explizit ausgewiesen ist, beträgt der Mindestabstand 0,3 m.
6. Beachten Sie unbedingt den auf dem Gerät abzulesenden Mindestabstand zur beleuchteten Fläche!

**VORSICHT:**

1. Bei beweglichen Bauteilen wie Montagebügeln, oder sonstigen beweglichen Bauteilen besteht die Möglichkeit sich zu klemmen.
2. Bei Geräten mit motorisch angetriebenen Bauteilen besteht Verletzungsgefahr durch die Bewegung des Gerätes. Plötzliche Gerätebewegungen können zu Schreckreaktionen führen.
3. Die Gehäuseoberfläche des Geräts kann sich im regulären Betrieb stark erwärmen. Stellen Sie sicher, dass ein versehentliches Berühren des Gehäuses ausgeschlossen ist. Lassen Sie das Gerät vor dem Abbau, vor Wartungsarbeiten und vor dem Aufladen etc. immer ausreichend abkühlen.

**ACHTUNG:**

1. Installieren und betreiben Sie das Gerät nicht in der Nähe von Heizkörpern, Wärmespeichern, Öfen oder sonstigen Wärmequellen. Sorgen Sie dafür, dass das Gerät immer so installiert ist, dass es ausreichend gekühlt wird und nicht überhitzen kann.
2. Platzieren Sie keine Zündquellen wie z.B. brennende Kerzen in der Nähe des Geräts.
3. Lüftungsöffnungen dürfen nicht abgedeckt und Lüfter nicht blockiert werden.
4. Nutzen Sie zum Transport die Originalverpackung oder vom Hersteller dafür vorgesehene Verpackungen.
5. Vermeiden Sie, dass Erschütterung oder Schläge auf das Gerät einwirken.
6. Beachten sie die IP-Schutzart, sowie die Umgebungsbedingungen wie Temperatur und Luftfeuchtigkeit entsprechend der Spezifizierung.
7. Geräte können stetig weiterentwickelt werden. Bei abweichenden Angaben zu Betriebsbedingungen, Leistung oder sonstigen Geräteeigenschaften zwischen Bedienungsanleitung und Gerätebeschriftung, hat immer die Angabe auf dem Gerät Priorität.
8. Das Gerät ist nicht für tropische Klimazonen und für den Betrieb oberhalb 2000 m über NN geeignet.
9. Sofern nicht explizit ausgewiesen, ist das Gerät nicht für den Betrieb unter Marinebedingungen geeignet.



Bei vom Hersteller vorgesehenen Um- oder Nachrüstsets bzw. Zubehör beachten Sie unbedingt die beiliegende Anleitung.

**VORSICHT! WICHTIGE HINWEISE IN BEZUG AUF LICHT-PRODUKTE!**

1. Blicken Sie niemals, auch nicht kurzzeitig, direkt in die Lichtquelle.
2. Blicken Sie niemals mit optischen Geräten wie Vergrößerungsgläsern in die Lichtquelle.
3. Stroboskopeffekte können bei empfindlichen Menschen epileptische Anfälle auslösen!
4. In diesen Leuchten sind fest installierte Leuchtmittel verbaut, welche nicht durch den Benutzer zu tauschen sind. Die in dieser Leuchte enthaltene Lichtquelle darf nur vom Hersteller oder seinem Servicepartner oder einer ähnlich qualifizierten Person ausgetauscht werden.





SIGNALÜBERTRAGUNG PER FUNK (z.B. W-DMX oder Audio-Funksysteme):

Die Qualität und Leistungsfähigkeit kabelloser Signalübertragungen ist generell abhängig von den Umgebungsbedingungen. Einfluss auf die Reichweite und Signalstabilität haben z.B.:

Abschirmung (z.B. Mauerwerk, Metallbauten, Wasser)

Hohes Funkaufkommen (z.B. starke W-LAN Netze)

Interferenzen

Elektromagnetische Strahlung (z.B. LED-Videowände, Dimmer)

Alle Reichweitenangaben beziehen sich auf Freifeldanwendung mit Sichtkontakt ohne Störeinflüsse!

Der Betrieb von Sendeanlagen unterliegt behördlichen Bestimmungen. Diese können regional unterschiedlich ausfallen und müssen vor Inbetriebnahme vom Betreiber überprüft werden (z.B. Funkfrequenz und Sendeleistung).



WARNING: Geräte mit kabelloser Signalübertragung sind nicht für den Betrieb in sensiblen Bereichen, in denen Funkbetrieb zu möglichen Wechselwirkungen führen kann, geeignet. Dazu zählen z.B.:

- Krankenhäuser, Gesundheitszentren oder andere Einrichtungen des Gesundheitswesens, die Patientenbehandlungen mit Fachpersonal und -ausrüstung durchführen.
- Ex-Bereiche der Klassen I, II und III
- Sperrbereiche
- Militärische Einrichtungen
- Flugzeuge oder Fahrzeuge
- Bereiche, in denen die Nutzung von Mobiltelefonen untersagt ist



SIGNALÜBERTRAGUNG PER W-DMX

WARNING: Generell darf kabellose DMX-Übertragung nicht für Anwendungen mit sicherheitsrelevanten Faktoren genutzt werden, die im Falle eines Versagens Personen- oder Sachschäden zur Folge haben können. Dies gilt im Speziellen für bewegte Szenen- oder Traversenstrukturen, für DMX-gesteuerte Motoren/Hebezeuge oder Hebevorrichtungen zum Betreiben von DMX-betriebenen Bühnenliften, Hydrauliksystemen oder vergleichbaren beweglichen Komponenten. Weiterhin darf kabellose DMX-Übertragung nicht zum Auslösen von Flammen- oder pyrotechnischen Geräten, explosionsgetriebenen Effekten, sowie zur Steuerung von Gas oder Flüssigkeitseffekten benutzt werden. Dazu zählen z.B. Co2-Kanonen, Konfetti-Shooter, Wasser-Effekte oder Ähnliches.



UMGEBUNGSTEMPERATUR

Bitte beachten Sie die in den technischen Daten vorgegebene maximale Umgebungstemperatur in Betrieb. Eine spezielle Schutzschaltung im Scheinwerfer sorgt dafür, dass zum Schutz der Gerätekomponenten die Helligkeit bei zu hoher Umgebungstemperatur reduziert wird. Falls Sie bei dem Scheinwerfer einen deutlichen Helligkeitsverlust feststellen, überprüfen Sie bitte die Umgebungstemperatur in der direkten Umgebung des Scheinwerfers und sorgen ggf. dafür, dass die Temperatur auf oder unter den maximal zugelassenen Wert gebracht wird.



HINWEISE FÜR INDOOR-INSTALLATIONSGERÄTE

1. Geräte für Installationsanwendungen sind für den Dauerbetrieb ausgelegt.
2. Geräte für die Inneninstallation sind nicht witterungsbeständig.
3. Oberflächen sowie Kunststoffteile können auch bei Installationsgeräten, z.B. durch UV-Einstrahlung und Temperaturschwankungen altern. Dies führt i.d.R. nicht zu Funktionseinschränkungen.
4. Bei fest installierten Geräten ist mit der Ablagerung von Verunreinigungen, z.B. Staub, zu rechnen. Beachten Sie unbedingt die Pflegehinweise.
5. Sofern nicht auf dem Gerät oder in den technischen Daten explizit anders ausgewiesen, sind die Geräte für Montagehöhen kleiner 5 m vorgesehen.

LIEFERUMFANG

Entnehmen Sie das Produkt aus der Verpackung und entfernen Sie sämtliches Verpackungsmaterial. Bitte überprüfen Sie die Vollständigkeit und Unversehrtheit der Lieferung und benachrichtigen Sie Ihren Vertriebspartner bitte unverzüglich nach dem Kauf, falls die Lieferung nicht komplett oder beschädigt ist.

Im Lieferumfang des Produkts CLG4FC sind enthalten:

- ▶ 1 x Cameo G4FC Scheinwerfer, schwarz
- ▶ Bedienungsanleitung

Im Lieferumfang des Produkts CLG4FCWH sind enthalten:

- ▶ 1 x Cameo G4FCWH Scheinwerfer, weiß
- ▶ Bedienungsanleitung

EINFÜHRUNG

LED Gallery Light mit einer 40 W RGBL LED

CLG4FC (schwarzes Gehäuse)

CLG4FCWH (weißes Gehäuse)

STEUERUNGSFUNKTIONEN

1CH, 2CH 16 Bit, 3CH CCT, 3CH Presets, 4CH Direct, 5CH HSI,

8CH Direct + CCT und 12CH 16 Bit Full Access DMX-Steuerung

W-DMX™

Standalone Funktion (Einrichtung via Cameo Unicon)

EIGENSCHAFTEN

Kompatibel mit GLOBAL pro (früher NOKIA) XTS, XTTS und XTSC 3-Phasenschienen.

40 W RGBL LED. W-DMX™. DMX512. RJ45-Anschluss. Betriebsspannung 100 - 240 V AC.

Streuscheiben, Filter und Richtgitter optional erhältlich.

Der Scheinwerfer verfügt über den RDM-Standard (Remote Device Management). Diese Gerätefernverwaltung ermöglicht die Statusabfrage und Konfiguration von RDM-Endgeräten über einen RDM-fähigen Controller, wie den optional erhältlichen Cameo UNICON (Artikelnummer CLIREMOTE).

Das Cameo UNICON ermöglicht darüber hinaus den Zugriff auf das gesamte Scheinwerfermenü.

ANSCHLÜSSE, BEDIEN- UND ANZEIGEELEMENTE

ENGLISH

DEUTSCH

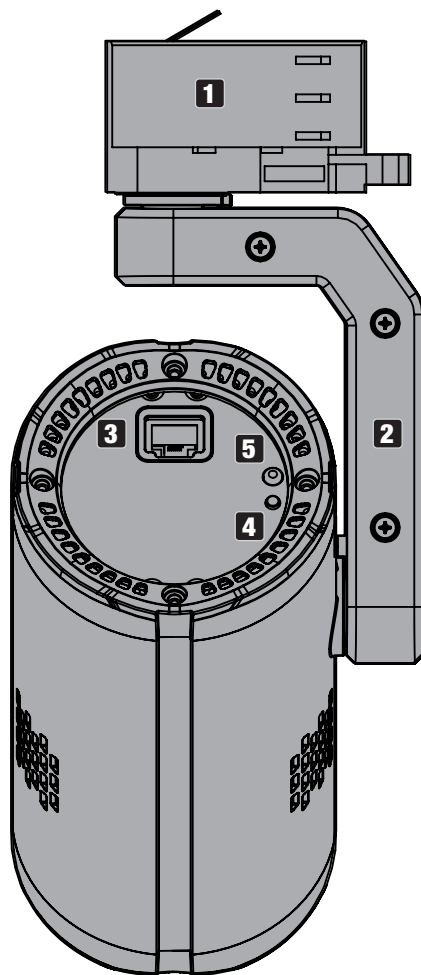
FRANCAIS

ESPAÑOL

POLSKI

ITALIANO

DMX



1 SCHIENENADAPTER

Schienenadapter zur Montage an eine kompatible 3-Phasen-Schiene.

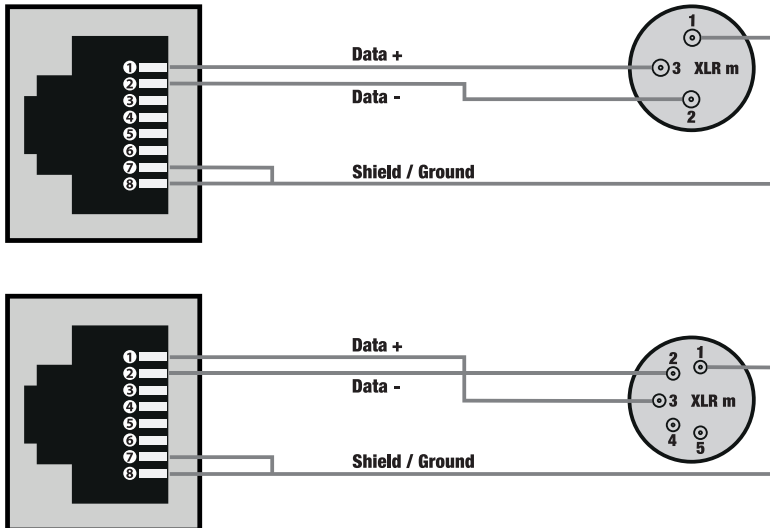
2 NEIG- UND SCHWENKBARER HALTEARM

Haltearm mit zwei Gelenken für die Einstellung der Abstrahlrichtung auf horizontaler und vertikaler Ebene.

3 RJ45-SCHNITTSTELLE

Schnittstelle zum Konfigurieren und Ansteuern des Scheinwerfers mit Hilfe des DMX/RDM-Controllers Cameo UNICON. Die Konfiguration des Scheinwerfers kann auch mit Hilfe eines anderen RDM-Controllers erfolgen und die Ansteuerung mit Hilfe eines Standard DMX-Controllers.

Pinbelegung:



4 W-DMX RESET-TASTER

Taster zum Trennen von W-DMX-Verbindungen und zum Koppeln des Scheinwerfers mit W-DMX-Geräten. Die Gehäuseoberfläche des Geräts kann sich im regulären Betrieb stark erwärmen. Lassen Sie das Gerät vor dem Bedienen des Tasters immer ausreichend abkühlen. Aktivieren Sie den W-DMX-Receiver des Scheinwerfers via Cameo UNICON und führen einen Reset des Receivers durch, indem Sie den Taster für circa 3 Sekunden drücken. Alle vorherigen Verbindungen werden dabei getrennt und der Receiver wird für circa 1 Minute in Koppelbereitschaft versetzt, die Status-LED Nr. 5 blinkt dabei schnell rot. Der Receiver wartet nun auf die Kopplungsanfrage eines Transmitters. Starten Sie den Kopplungsvorgang am Transmitter, die Kopplung erfolgt automatisch. Es können auf die gleiche Weise auch mehrere Receiver gleichzeitig oder nacheinander mit einem Transmitter gekoppelt werden. Eine W-DMX-Verbindung bleibt grundsätzlich so lange erhalten, bis die Verbindung durch den Reset-Befehl im Receiver oder den Unlink-Befehl im Transmitter getrennt wird, unabhängig davon, ob ein Gerät zwischenzeitlich von der Spannungsversorgung getrennt wird.

5 STATUS-LED

Die LED zeigt den aktuellen Status des Scheinwerfers bei der Ansteuerung per Kabel und per W-DMX an.

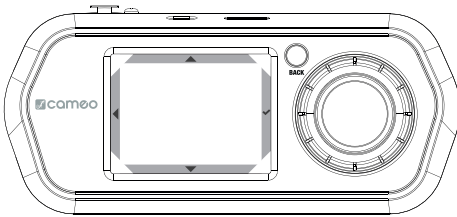
Ansteuerung per Kabel (RJ45, W-DMX deaktiviert)

LED leuchtet permanent blau	DMX-Signal liegt an
LED blinkt blau	kein DMX-Signal
LED aus	Stand-Alone Betrieb

Ansteuerung per W-DMX™

LED blinkt rot mit ca.1Hz	W-DMX aktiviert
LED blinkt schnell rot	Kopplung mit einem Transmitter aufgehoben und in Koppelbereitschaft versetzt
LED leuchtet permanent grün	Gekoppelt, DMX-Signal liegt an
LED blinkt grün	Gekoppelt, kein DMX-Signal

BEDIENUNG PER UNIT CONTROLLER CAMEO UNICON (optional erhältlich)

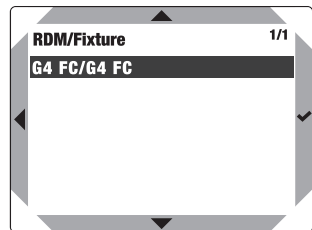
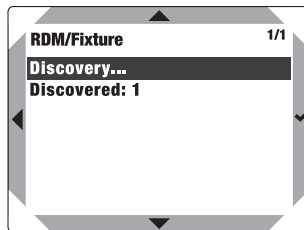
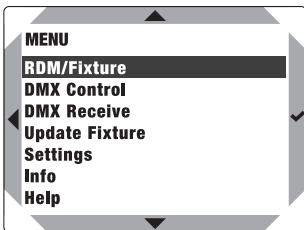


Funktionen der Bedienelemente

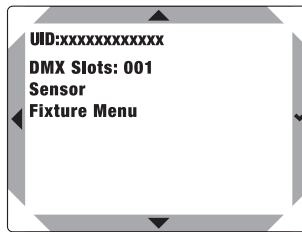
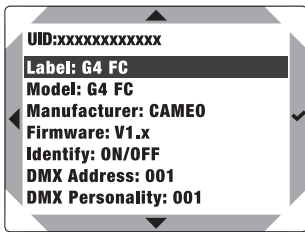
Display		Encoder + BACK
▲	Wert aufwärts	↻
▼	Wert abwärts	↻
◀	Zurück	Back
✓	Bestätigen	Encoder

Nachdem Sie den Unit Controller UNICON eingeschaltet haben (zum Einschalten kurz auf BACK drücken), erscheint im Display für kurze Zeit „Update, Please Wait“ (nur für Service-Zwecke) und danach das Hauptmenü. Schließen Sie die Remote-Einheit per Netzkabel an das Gallery Light G4 FC an und verbinden den Scheinwerfer mit der Spannungsversorgung.

Wählen Sie den Menüpunkt **RDM/Fixture** aus und bestätigen die Auswahl. Nun wird nach angeschlossenen RDM-Geräten gesucht (Discovery) und wenn der G4 FC korrekt angeschlossen und eingeschaltet ist, wird ein Gerät gefunden (Discovered: 1). Nach kurzer Zeit wird der G4 FC als einziges Gerät in einer Liste angezeigt (der erste Teil des angezeigten RDM-Geräts zeigt das Gerätemodell, der zweite Teil hinter „/“ ist die Kennzeichnung und kann zur leichteren Identifizierung individuell im Menüpunkt **Label** angepasst werden). Bestätigen Sie nun, um ins Untermenü zu gelangen.



Nun werden alle Informationen und Konfigurationsoptionen des Scheinwerfers, die per RDM abruf- und editierbar sind, angezeigt.

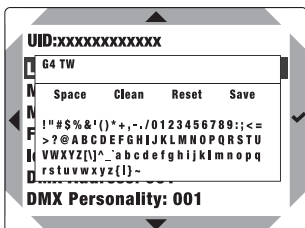


Liste der Informationen und Konfigurationsoptionen mit Erklärungen:

UID:	Individuelle und unveränderbare Identifizierungsnummer des ausgewählten RDM-Geräts
Label:	Individuell einstellbare Kennzeichnung des RDM-Geräts
Model:	Gerätemodell
Manufacturer:	Gerätehersteller
Firmware:	Geräte-Firmware
Identify:	ON Ausgewählter Scheinwerfer blinkt mit ca. 1 Hz
	OFF Blinken deaktiviert
DMX Address:	Aktuelle DMX-Startadresse (kann im Menüpunkt editiert werden)
DMX Personality:	Aktueller DMX-Modus (kann im Menüpunkt editiert werden)
DMX Slots:	Anzahl der Kanäle im aktuellen DMX-Modus
Sensor	LED-Temperatur (zum Anzeigen <input checked="" type="checkbox"/> drücken)
Fixture Menu	Individuelles Cameo Gerätemenü zum Editieren der Einstellungen (siehe GERÄTEMENÜ (Fixture Menu))

LABEL

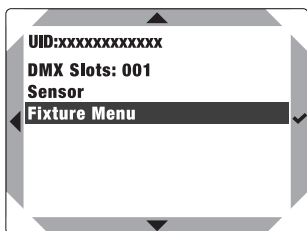
Wählen Sie im RDM/Fixture Menü den Punkt **Label** aus und bestätigen die Auswahl, um das RDM-Gerät individuell zu kennzeichnen.



Zeichen auswählen:	▲ bzw. ▼ oder Encoder drehen
Alle Zeichen löschen:	Reset
Leerzeichen setzen:	Space
Stelle zurücksetzen:	Clean
Kennzeichnung sichern:	Save
Befehl bzw. Zeichen bestätigen und nächste Stelle anwählen:	<input checked="" type="checkbox"/> oder Encoder drücken

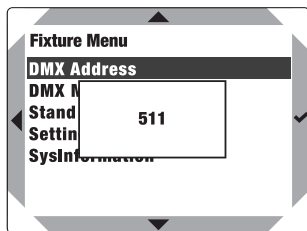
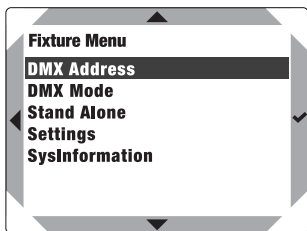
GERÄTEMENÜ (Fixture Menu):

Wählen Sie im RDM/Fixture Menü den Punkt **Fixture Menu** aus und bestätigen die Auswahl.



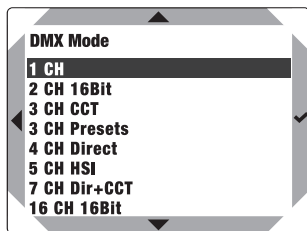
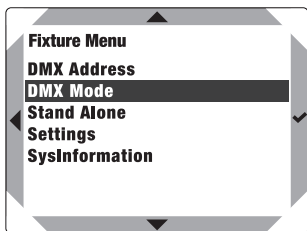
DMX-STARTADRESSE EINSTELLEN

Wählen Sie **DMX Address** aus, bestätigen die Auswahl, stellen die gewünschte DMX-Adresse ein und bestätigen die Eingabe. (höchster Wert abhängig von der aktuell aktivierten DMX-Betriebsart)



DMX-BETRIEBSART AUSWÄHLEN

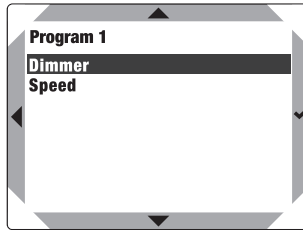
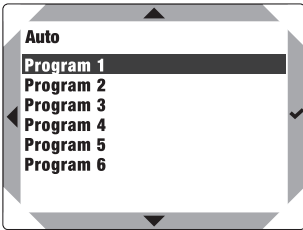
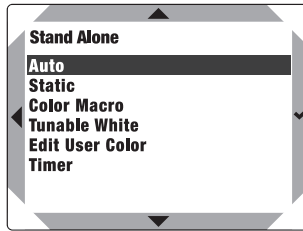
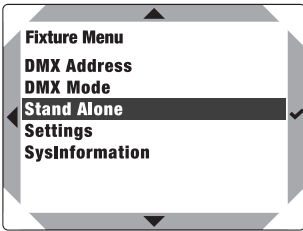
Wählen Sie **DMX Mode** aus, bestätigen die Auswahl, wählen dann die gewünschte DMX-Betriebsart aus und bestätigen die Auswahl.



STAND-ALONE-BETRIEBSART AUTO

Die 6 verfügbaren Auto-Programme bestehen jeweils aus fest programmierten Farbwechsellagen, Helligkeit (Dimmer) und Laufgeschwindigkeit (Speed) sind für jedes Programm separat einstellbar.

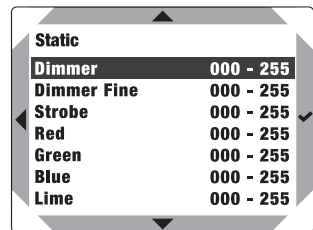
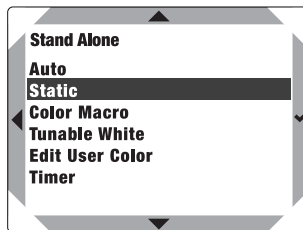
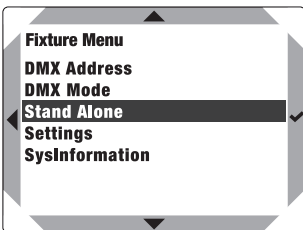
Wählen Sie **Stand Alone** aus, bestätigen die Auswahl, wählen dann **Auto** aus und bestätigen wieder. Nun wählen Sie das gewünschte Programm (Program 1 - Program 6) aus und bestätigen abermals. Wählen Sie nun **Dimmer** bzw. **Speed** aus, bestätigen und stellen Helligkeit bzw. Laufgeschwindigkeit nach Wunsch von 001 bis 100 ein. Bestätigen Sie alle Eingaben.



STAND-ALONE-BETRIEBSART STATIC

Der Stand-Alone Betriebsart Static ermöglicht es, ähnlich wie mit einem DMX-Steuergerät, Dimmer, Dimmer Fine, Stroboskop (Strobe) und RGBAL direkt am Gerät mit Werten von 000 bis 255 einzustellen. Somit kann eine individuelle Szene erstellt werden, ohne einen zusätzlichen DMX-Controller zu benötigen.

Wählen Sie **Stand Alone** aus, bestätigen die Auswahl, wählen dann **Static** aus und bestätigen abermals. Wählen Sie nun den Menüpunkt aus, den Sie bearbeiten möchten und bestätigen die Auswahl. Stellen Sie im ausgewählten Menüpunkt den gewünschten Wert von 000 bis 255 ein und bestätigen die Eingabe. Die Werte beim Stroboskop-Effekt entsprechen dabei den Werten im Kanal 2 der DMX-Tabelle 3 CH Presets.

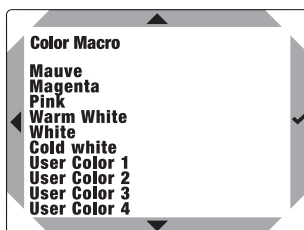
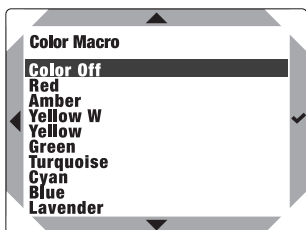
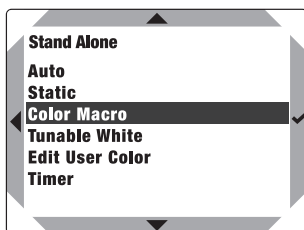
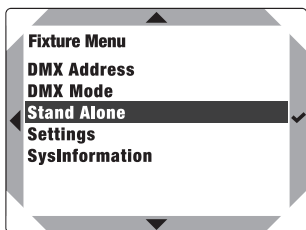


STAND-ALONE-BETRIEBSART COLOR MACRO

15 verschiedene Farbmakros plus 4 individuelle Farben (User Color 1 - 4) stehen als Preset zur Verfügung, die Helligkeit kann für jedes Preset separat eingestellt werden.

Wählen Sie **Stand Alone** aus, bestätigen die Auswahl, wählen dann **Color Macro** aus und bestätigen abermals. Wählen Sie die gewünschte Farbe als Preset aus und bestätigen (Color Off = Blackout). Nun kann die Helligkeit des ausgewählten Presets von 000 bis 100 eingestellt werden. Bestätigen Sie alle Eingaben.

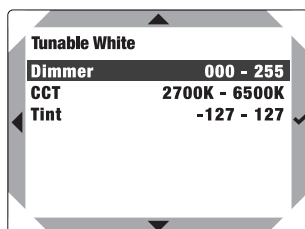
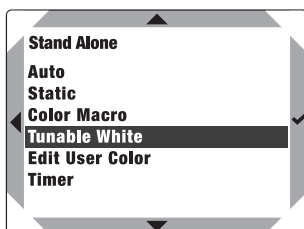
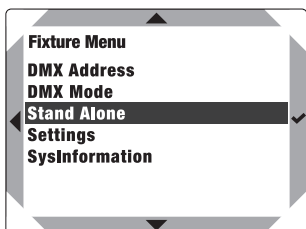
Die individuellen Farben User Color 1 bis 4 werden im Menüpunkt **Edit User Color** im **Stand Alone** Menü erstellt.



STAND-ALONE-BETRIEBSART TUNEABLE WHITE

In der Stand-Alone-Betriebsart Tuneable White kann die Farbtemperatur (CCT) in 100K Schritten von 2700K bis 6500K eingestellt werden, zusätzlich die Helligkeit (Dimmer) und der Farbton (Tint).

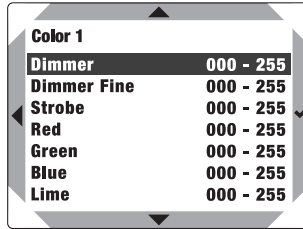
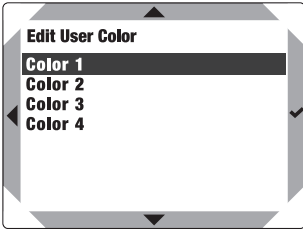
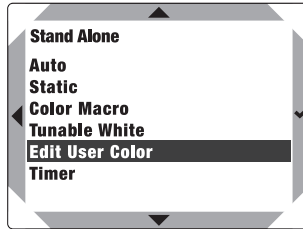
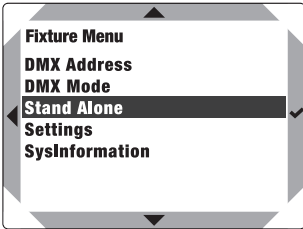
Wählen Sie **Stand Alone** aus, bestätigen die Auswahl, wählen dann **Tunable White** aus und bestätigen abermals. Wählen Sie nun den Menüpunkt aus, den Sie bearbeiten möchten und bestätigen die Auswahl. Stellen Sie den gewünschten Wert ein und bestätigen die Eingabe.



STAND-ALONE-KATEGORIE EDIT USER COLOR

In der Stand-Alone-Kategorie Edit User Color haben Sie die Möglichkeit, Helligkeit (Dimmer und Dimmer Fine), Stroboskop (Strobe) und eine Farbmischung aus R, G, B und L direkt im Gerät in vier individuellen Farb-Presets abzuspeichern.

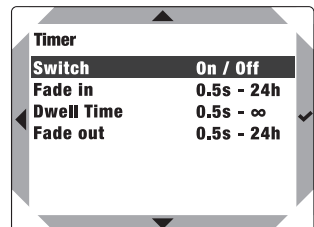
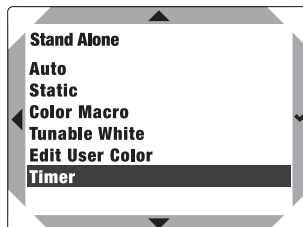
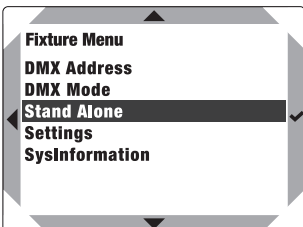
Wählen Sie **Stand Alone** aus, bestätigen die Auswahl, wählen dann **Edit User Color** aus und bestätigen abermals. Wählen Sie das gewünschte Preset (Color 1 - Color 4) aus und bestätigen die Auswahl. Wählen Sie nun den Menüpunkt aus, den Sie bearbeiten möchten und bestätigen. Stellen Sie den gewünschten Wert von 000 bis 255 ein und bestätigen abermals. Die Werte beim Stroboskop-Effekt entsprechen dabei den Werten im Kanal 2 der DMX-Tabelle 3CH Presets.



TIMER-FUNKTION

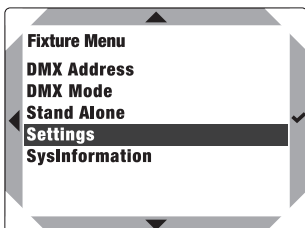
Die Timer-Funktion ermöglicht die zeitgesteuerte Kontrolle der Stand-Alone-Betriebsarten Static, Color Macro und Tunable White in der Art, dass die Einblendzeit (Fade In) von 0,5 Sekunden bis 24 Stunden, die Haltezeit (Dwell Time) von 0,5 Sekunden bis 24 Stunden und endlos (Limitless) und die Ausblendzeit (Fade Out) von 0,5 Sekunden bis 24 Stunden eingestellt werden kann. Nach dem Aktivieren der Timer-Funktion wird beim nächsten Systemstart die Zeitsteuerung wie voreingestellt durchgeführt.

Wählen Sie **Stand Alone** aus, bestätigen die Auswahl, wählen dann **Timer** aus und bestätigen abermals die Auswahl. Wählen Sie unter Punkt **Switch** die Einstellung **On** und bestätigen. Für die individuellen Einstellungen der Zeitsteuerung wählen Sie **Fade In**, **Dwell Time** bzw. **Fade Out** aus und bestätigen die Auswahl. Sie können nun den jeweiligen Wert nach Wunsch einstellen. Bestätigen Sie alle Eingaben. Zum Deaktivieren der Timer-Funktion wählen Sie unter Punkt **Switch** die Einstellung **Off** aus und bestätigen die Eingabe.



SYSTEMEINSTELLUNGEN (Settings)

Wählen Sie **Settings** aus und bestätigen die Auswahl.



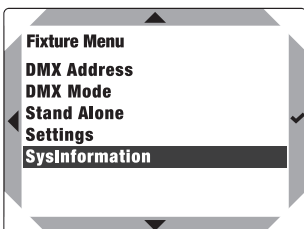
Daraufhin gelangen Sie in das Untermenü zum Einstellen der Untermenüpunkte (siehe Tabelle):

Settings				
DMX Fail	=	Betriebszustand bei DMX-Signal-Unterbrechung	Hold	Letzter Befehl wird gehalten
			User Color 1	Aktiviert User Color 1
			Fade out 10s	10 Sekunden Fade zu Blackout
			Blackout	Aktiviert Blackout
Dimmer Curve	=	Dimmerkurve	Full On	Alle LEDs 100% Output
			Linear	Die Lichtintensität steigt linear mit dem DMX-Wert an
			Exponential	Die Lichtintensität lässt sich im unteren DMX-Wertbereich fein und im oberen DMX-Wertbereich grob einstellen
			Logarithmic	Die Lichtintensität lässt sich im unteren DMX-Wertbereich grob und im oberen DMX-Wertbereich fein einstellen
Dimmer Response	=	Dimmverhalten	S-Curve	Die Lichtintensität lässt sich im unteren und oberen DMX-Wertbereich fein und im mittleren DMX-Wertbereich grob einstellen
			LED	Der Strahler reagiert abrupt auf Änderungen des DMX-Werts
Red Shift	=	Imitiert die Farbdrift beim Dimmen eines Halogenscheinwerfers.	Halogen	Der Strahler verhält sich ähnlich einem Halogenstrahler mit sanften Helligkeitsänderungen
		Scheinwerfers verändert sich die Farbtemperatur automatisch zunehmend zu Warmweiß und Amber (und umgekehrt).	Off	Farbdrift deaktiviert
			On	Farbdrift aktiviert

PWM Frequency	=	Einstellen der PWM-Frequenz	800Hz / 1200Hz / 2000Hz / 3600 Hz / 12kHz / 25kHz	
Calibration	=	Farbkalibrierung	Red	Individuelle Farb-Kalibrierung. Betriebsartübergreifende Helligkeitseinstellung von R, G, B und L mit Werten von 000 - 255
			Green	
			Blue	
			Lime	
W-DMX	=	Drahtlossteuerung ein- und ausschalten	Off	Drahtlossteuerung deaktiviert
			On	Drahtlossteuerung aktiviert
Status LED	=	Status LED einstellen	Always On	LED Permanent an
			OFF	LED aus
			Off after 30s	LED wird nach 30 Sekunden ausgeschaltet
Power	=	Betriebsmodus	Constant	Konstante Helligkeit über lange Zeiträume
			Maximum	Maximale Helligkeit
Factory Reset	=	Zurücksetzen auf Werkseinstellungen	Reset?	Zurücksetzen auf Werkseinstellungen: Reset durchführen mit ENTER, abbrechen mit MENU
Factory Reset WC	=	Zurücksetzen auf Werkseinstellungen außer User Colors	WC Reset?	Zurücksetzen auf Werkseinstellungen außer User Colors: Reset durchführen mit ENTER, abbrechen mit MENU

SYSTEMINFORMATIONEN (SysInformation)

Ausgehend von der Hauptanzeige gelangen Sie durch Drücken auf den Encoder in das Hauptmenü. Wählen Sie den Menüpunkt **SysInformation** aus und bestätigen die Auswahl.



Daraufhin gelangen Sie in das Untermenü zum Aufrufen der Systeminformationen (siehe Tabelle).

SysInformation			
Firmware	=	Anzeige der Geräte-Firmware	Main CPU V1.xx
Temperature	=	Temperaturanzeige der LED-Einheit	LED TEMP
			Temperature Unit
Operation Hours	=	Betriebszeitanzeige	xx:xxh

MONTAGE



GEFAHR: Überkopfmontage erfordert umfassende Erfahrung, einschließlich der Berechnung der Grenzwerte für die Arbeitslast, des verwendeten Installationsmaterials und der regelmäßigen Sicherheitsüberprüfung aller Installationsmaterialien und Scheinwerfer. Wenn Sie diese Qualifikationen nicht haben, versuchen Sie nicht, eine Installation selbst durchzuführen, sondern nutzen Sie die Hilfe von professionellen Unternehmen. Es besteht die Gefahr, dass sich nicht korrekt montierte und gesicherte Geräte lösen und herabfallen. Dadurch können Personen schwer verletzt oder getötet werden.



GEFAHR: Verwenden Sie den Scheinwerfer ausschließlich für waagrecht montierte Schienen (horizontale Deckenmontage)! Der Scheinwerfer ist nicht für schräg montierte Schienen und Wandmontage geeignet!



WARNUNG: Stellen Sie vor der Montage bzw. Demontage sicher, dass keine elektrische Spannung an der 3-Phasen-Schiene anliegt (Sicherungen abschalten)!

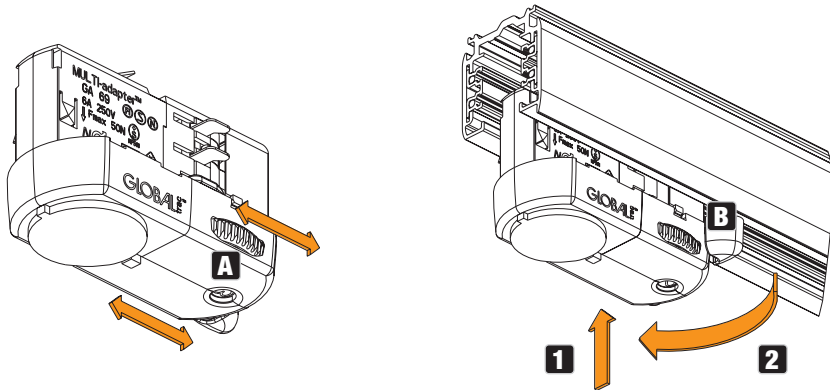


ACHTUNG: Der Scheinwerfer ist nicht für die Verwendung mit externen Dimmern geeignet!

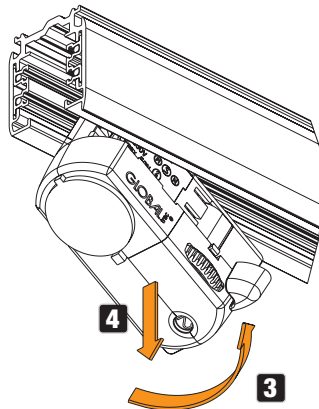
Verwenden Sie das Rändelrad A zum Einstellen auf Phase 1, 2 oder 3 (siehe Fenster unterhalb des Rändelrads; 0 = aus). Die Einstellung kann vor oder nach der Montage an einer Schiene vorgenommen werden.

Zum Montieren an einer Schiene öffnen Sie den Verriegelungshebel B des Schienenadapters (Hebel in der Abbildung in geöffneter Position) und drücken dann den Adapter in die Schiene, bis er plan auf den Schienenrändern aufliegt (Abb. 1).

Sichern Sie die Verbindung, indem Sie den Verriegelungshebel wieder schließen (Abb. 2).



Zum Demontieren des Scheinwerfers öffnen Sie den Verriegelungshebel (Abb. 3) und ziehen den Scheinwerfer nach unten aus der Schiene (Abb. 4).

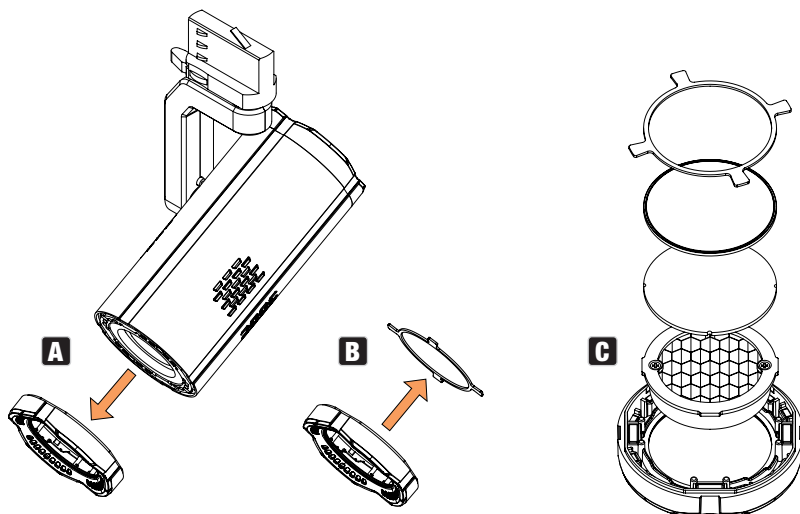


RICHTGITTER, STREUSCHEIBE UND FILTER MONTIEREN

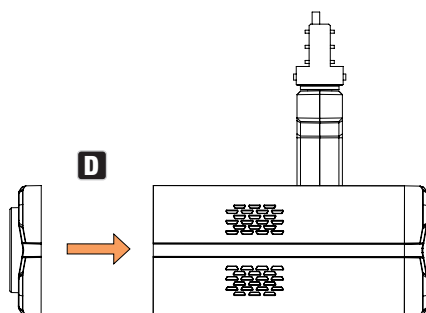
Bis zu drei optional erhältliche Zubehörteile lassen sich kombiniert vor die Austrittslinse des Scheinwerfers montieren (siehe OPTIONALES ZUBEHÖR).

Nehmen Sie den durch starke Magnete gehaltene Abschlussring vom Scheinwerfer (Abb. A) und danach den Haltering, der ebenfalls durch Magnete gehalten wird, aus dem Abschlussring (Abb. B). Legen Sie nun die gewünschten Zubehörteile (im Beispiel C zuerst das Richtgitter, dann eine Streuscheibe und danach einen CTO-Filter) in den Abschlussring und dann den Haltering auf die Zubehörteile im Abschlussring. In welche der drei möglichen Positionen der Haltering in den

Abschlussring gelegt wird, hängt dabei von der Gesamthöhe der eingelegeten Zubehörteile ab.



Setzen Sie nun den Abschlussring samt Zubehör auf den Scheinwerfer, wie in Abbildung D gezeigt.



OPTIONALES ZUBEHÖR

Filter

CLG4CTB (CTB Filter)
CLG4CTO (CTO Filter)

Streuscheiben

CLG46010LENS (60° x 10°)
CLG410LENS (10°)
CLG420LENS (20°)
CLG430LENS (30°)
CLG460LENS (60°)

Richtgitter

CLG4HC (Honeycomb, schwarz)
CLG4HCWH (Honeycomb, weiß)

PFLEGE, WARTUNG UND REPARATUR

Um die einwandfreie Funktion des Geräts auf Dauer zu gewährleisten, muss es regelmäßig gepflegt und bei Bedarf gewartet werden. Der Pflege- bzw. Wartungsbedarf steht in Abhängigkeit der Nutzungsintensität und -umgebung.

Wir empfehlen generell eine Sichtprüfung vor jeder Inbetriebnahme. Weiterhin empfehlen wir alle 500 Betriebsstunden, oder bei geringerer Nutzungsintensität spätestens nach Ablauf eines Jahres alle unten genannten und zutreffenden Pflegemaßnahmen durchzuführen. Bei Mängeln, die auf eine unzureichende Pflege zurückzuführen sind, kann es zu Einschränkungen der Garantieansprüche kommen.

PFLEGE (vom Anwender durchführbar)



WARNUNG! Vor jeglichen Pflegemaßnahmen müssen die Spannungsversorgung und sofern möglich sämtliche Geräteverbindungen getrennt werden.



HINWEIS! Unsachgemäße Pflege kann zu Beeinträchtigung des Gerätes führen bis hin zur Zerstörung.

1. Gehäuseoberflächen müssen mit einem sauberen, feuchten Tuch gereinigt werden. Dabei ist darauf zu achten, dass keine Feuchtigkeit in das Gerät eindringen kann.
2. Luft Ein- und Austrittsöffnungen müssen regelmäßig von Staub und Schmutz befreit werden. Im Fall des Einsatzes von Druckluft ist darauf zu achten, dass Beschädigungen am Gerät verhindert werden (z.B. müssen Lüfter für diesen Fall blockiert werden).
3. Leitungen und Steckkontakte sind regelmäßig zu reinigen und von Staub und Schmutz zu befreien.
4. Es dürfen generell keine Reinigungsmittel oder Mittel mit schleifender Wirkung zur Pflege verwendet werden, andernfalls ist mit Beeinträchtigung der Oberflächenbeschaffenheit zu rechnen.
5. Geräte sind generell trocken zu lagern und vor Staub und Verschmutzung zu schützen.

WARTUNG UND REPARATUR (nur durch Fachpersonal)



GEFAHR! Im Gerät befinden sich Spannungsführende Bauteile. Auch nach Trennung der Netzverbindung kann noch Restspannung im Gerät vorhanden sein, z.B. durch geladene Kondensatoren.



HINWEIS! Im Gerät befinden sich keine für den Anwender zu wartenden Baugruppen.



HINWEIS! Wartungs- und Reparaturmaßnahmen dürfen nur vom Hersteller autorisiertem Fachpersonal durchgeführt werden. Im Zweifel wenden Sie sich an den Hersteller.



HINWEIS! Unsachgemäß ausgeführte Wartungsarbeiten können den Gewährleistungsanspruch beeinträchtigen.

ABMESSUNGEN (mm)

ENGLISH

DEUTSCH

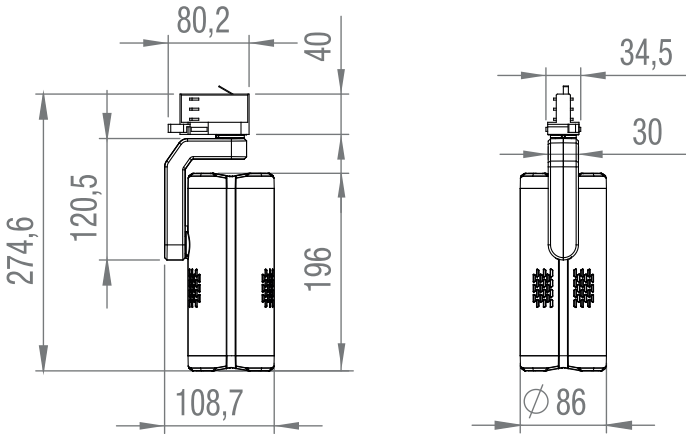
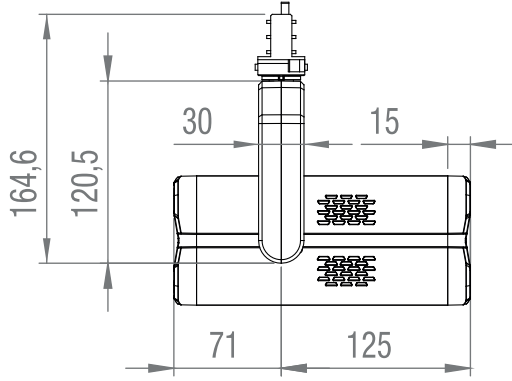
FRANCAIS

ESPAÑOL

POLSKI

ITALIANO

DMX



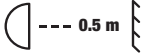
TECHNISCHE DATEN

Artikelnummer:	CLG4FC(WH)
Produktart:	LED-Scheinwerfer
Typ:	Installationscheinwerfer
Farbspektrum:	RGBL
LED Anzahl:	1
LED Typ:	4in1 Chip
LED Leistung:	40W
LED PWM Frequenz:	800Hz, 1200Hz, 2000Hz, 3600Hz, 12kHz, 25kHz (einstellbar)
Halbstreuwinkel:	5°
Zehntelstreuwinkel:	10°
DMX-Eingang:	1x RJ45
DMX-Ausgang:	----
DMX Funktionen:	Dimmer, Dimmer fein, Stroboskop, Rot, Grün, Blau, Lime, Farbton, Sättigung, Farbtemperatur, Tint, Farbpresets, Farbüberblendung, Record User Farben, Geräteeinstellungen
Steuerung:	DMX512, W-DMX™, RDM
Standalone Funktionen:	Static
Bedienelemente:	W-DMX Button + External Control Remote
Betriebsspannung:	100 - 240 V AC / 50 - 60 Hz
Leistungsaufnahme:	40W
Einschaltstrom:	45A / 0,3ms (erste Halbwelle)
Lichtstrom:	FULL ON: 410lm
Farbwiedergabeindex Ra	>77 @6500K
Kompatible Schienen:	GLOBAL pro (früher NOKIA) XTS, XTTS und XTSC 3-Phasenschienen
Stromversorgungsanschluss:	Schienenadapter (wählbare Phase)
Umgebungstemperatur (in Betrieb):	0°C - 40°C
Relative Luftfeuchtigkeit:	< 80%, nicht kondensierend
Gehäusefarbe:	Schwarz (CLG4FC) Weiß (CLG4FCWH)
Gehäusematerial:	Metall
Gehäusekühlung:	Konvektionskühlung
Mindestabstand zur beleuchteten Fläche:	0,5 m
Mindestabstand zu normal entflammaren Materialien:	0,5 m
Abmessungen (Ø x L, ohne Haltearm):	86 x 196 mm
Gewicht:	1,3 kg
RDP (Material Group A)	0,25 @ 2700K; 0,44 @ 6500K
RDP (Material Group B)	0,58 @ 2700K; 0,60 @ 6500K

Zubehör (optional):

Wechsellinsen (10°, 20°, 30°, 60°, 60°x10°)
Honeycomb, CTO-Filter, CTB-Filter

MINDESTABSTAND ZUR BELEUCHTETEN FLÄCHE



Dieses Symbol mit Entfernungsangabe in Metern (m) gibt den Mindestabstand des Leuchtkörpers zur beleuchteten Fläche an. In diesem Beispiel beträgt der Abstand 0,5 m. Den für dieses Gerät gültigen Wert entnehmen Sie bitte den technischen Daten in dieser Anleitung und dem Aufdruck auf dem Gerätegehäuse!

MINDESTABSTAND ZU NORMAL ENTLAMMBAREN MATERIALIEN



Dieses Symbol mit Entfernungsangabe in Metern (m) gibt den Mindestabstand des Geräts zu normal entflammaren Materialien an. In diesem Beispiel beträgt der Abstand 0,5 m. Den für dieses Gerät gültigen Wert entnehmen Sie bitte den technischen Daten in dieser Anleitung!

ENTSORGUNG



VERPACKUNG:

1. Verpackungen können über die üblichen Entsorgungswege dem Wertstoffkreislauf zugeführt werden.
2. Bitte trennen Sie die Verpackung entsprechend der Entsorgungsgesetze und Wertstoffverordnungen in Ihrem Land.



GERÄT:

1. Dieses Gerät unterliegt der europäischen Richtlinie für Elektro- und Elektronik-Altgeräte in der jeweils geltenden aktuellen Fassung. WEEE-Richtlinie Waste Electrical and Electronical Equipment. Altgeräte gehören nicht in den Hausmüll. Das Altgerät muss über einen zugelassenen Entsorgungsbetrieb oder eine kommunale Entsorgungseinrichtung entsorgt werden. Bitte beachten Sie geltende Vorschriften in Ihrem Land!
2. Beachten Sie alle in Ihrem Land geltenden Entsorgungsgesetze und Vorschriften.
3. Als Privatkunde erhalten Sie Informationen zu umweltfreundlichen Entsorgungsmöglichkeiten über den Händler, bei dem das Produkt erworben wurde, oder über die entsprechenden regionalen Behörden.

HERSTELLERERKLÄRUNGEN

Herstellergarantie & Haftungsbeschränkung

Adam Hall GmbH, Adam-Hall-Str. 1, D-61267 Neu Anspach /

E-Mail Info@adamhall.com / +49 (0)6081 / 9419-0

Unsere aktuellen Garantiebedingungen und Haftungsbeschränkung finden Sie unter:

https://cdn-shop.adamhall.com/media/pdf/Manufacturers-Declarations-CAMEO_DE_EN_ES_FR.pdf

Im Servicefall wenden Sie sich an Ihren Vertriebspartner.

CE-Konformität

Hiermit erklärt die Adam Hall GmbH, dass dieses Produkt folgender Richtlinie entspricht (soweit zutreffend):

Niederspannungsrichtlinie (2014/35/EU)

EMV-Richtlinie (2014/30/EU)

RoHS (2011/65/EU)

RED (2014/53/EU)

CE-Konformitätserklärung

Konformitätserklärungen für Produkte, die der LVD, EMC, RoHS-Richtlinie unterliegen, können unter info@adamhall.com angefragt werden.

Konformitätserklärungen für Produkte, die der RED-Richtlinie unterliegen, können unter www.adamhall.com/compliance/ heruntergeladen werden.

Druckfehler und Irrtümer, sowie technische oder sonstige Änderungen sind vorbehalten!

FRANÇAIS

Vous avez fait le bon choix !

Cet appareil a été développé et fabriqué selon les normes de qualité les plus élevées afin de garantir de nombreuses années de fonctionnement sans problème. Veuillez lire attentivement ce manuel d'utilisation afin de pouvoir utiliser votre nouveau produit Cameo rapidement et de manière optimale. De plus amples informations sur Cameo Light sont disponibles sur notre site web **CAMEOLIGHT.COM**.

INFORMATIONS SUR CE MANUEL D'UTILISATION

- Lisez attentivement les consignes de sécurité et l'ensemble du manuel avant d'utiliser l'appareil.
- Respectez les avertissements figurant sur l'appareil et dans le manuel d'utilisation.
- Gardez toujours le manuel d'utilisation à portée de main.
- Si vous vendez ou transmettez l'appareil, il est important d'inclure également ce manuel d'utilisation, car il fait partie intégrante du produit.

UTILISATION PRÉVUE

Ce produit est un projecteur pour installation fixe!

Ce projecteur est exclusivement destiné aux utilisateurs professionnels et ne convient pas aux ménages privés ou aux tiers !

L'utilisation du produit en dehors des données techniques et des conditions d'utilisation spécifiées, ainsi que l'installation incorrecte, sont considérées comme inappropriées!

La responsabilité pour les dommages et les dégâts causés par des tiers aux personnes et aux biens suite à une utilisation inappropriée est exclue!

Le produit ne convient pas:

- À une utilisation par des personnes (y compris les enfants) ayant des capacités physiques, sensorielles ou mentales limitées ou un manque d'expérience et de connaissances.
- Aux enfants (les enfants doivent être informés qu'ils ne doivent pas jouer avec l'appareil).

DÉFINITIONS ET EXPLICATION DES PICTOGRAMMES

1. **DANGER** : Le mot DANGER, éventuellement associé à un pictogramme, indique des situations ou des conditions directement dangereuses pour la vie et l'intégrité physique.
2. **AVERTISSEMENT** : Le mot AVERTISSEMENT, éventuellement associé à un pictogramme, indique des situations ou des conditions potentiellement dangereuses pour la vie et l'intégrité physique.
3. **ATTENTION** : Le mot ATTENTION, éventuellement associé à un pictogramme, est utilisé pour indiquer des situations ou des conditions pouvant entraîner des blessures.
4. **ATTENTION** : Le mot ATTENTION, éventuellement associé à un pictogramme, fait référence à situations ou états qui peuvent entraîner des dommages matériels et/ou environnementaux.



Ce pictogramme identifie les dangers qui peuvent causer un choc électrique.



Ce pictogramme identifie les zones ou les situations dangereuses.



Ce pictogramme indique les dangers causés par les surfaces portées à haute température.



Ce symbole indique les dangers causés par des sources lumineuses intenses.



Ce symbole indique qu'il n'y a pas de pièces remplaçables par l'utilisateur sur le site.



Ce pictogramme indique des informations supplémentaires concernant le fonctionnement du produit.



Ce symbole indique que l'appareil ne peut être utilisé que dans des locaux secs.

CONSIGNES DE SÉCURITÉ



DANGER :

1. N'ouvrez pas l'appareil et ne lui apportez aucune modification.
2. Si votre appareil ne fonctionne plus correctement, si des liquides ou des objets ont pénétré à l'intérieur ou s'il a été endommagé de toute autre manière, éteignez-le immédiatement et débranchez-le du secteur. L'appareil ne peut être réparé que par des techniciens de réparation agréés.
3. Pour les appareils de la classe de protection 1, le conducteur de protection (mise à la terre) doit être connecté correctement. Ne débranchez jamais le conducteur de protection. Les appareils de la classe de protection 2 ne disposent pas d'un conducteur de protection.
4. Assurez-vous que les câbles sous tension ne sont pas tordus, pincés ou endommagés mécaniquement.
5. Ne contournez jamais le fusible de l'appareil.



AVERTISSEMENT :

1. L'appareil ne doit pas être utilisé s'il présente des signes évidents de dommages.
2. L'appareil doit être installé uniquement alors qu'il se trouve hors tension.
3. Si le câble d'alimentation de l'appareil est endommagé, n'utilisez pas l'appareil.
4. Les câbles d'alimentation fixes ne peuvent être remplacés que par une personne qualifiée.

**AVIS :**

1. Ne faites pas fonctionner l'appareil s'il a été exposé à de fortes variations de température (par exemple, après le transport). L'humidité et la condensation internes peuvent endommager l'appareil. N'allumez l'appareil qu'une fois qu'il a atteint la température ambiante.
2. Assurez-vous que la tension et la fréquence du réseau électrique correspondent aux valeurs indiquées sur l'appareil. Si l'appareil dispose d'un sélecteur de tension, ne connectez pas l'appareil avant de l'avoir réglé correctement. N'utilisez que des câbles secteur adaptés.
3. Pour déconnecter l'appareil du secteur sur tous les contacts, il ne suffit pas d'appuyer sur l'interrupteur marche/arrêt de l'appareil.
4. Assurez-vous que le fusible utilisé correspond au type imprimé sur l'appareil.
5. Assurez-vous que des mesures appropriées ont été prises contre les surtensions (par exemple, la foudre).
6. Respectez l'intensité maximale de sortie spécifiée sur les appareils possédant un renvoi secteur (Power Out). Vérifiez que la consommation totale de courant de tous les appareils connectés ne dépasse pas la valeur indiquée.
7. Remplacez les câbles secteur enfichables uniquement par des câbles d'origine.

**DANGER :**

1. Danger d'asphyxie ! Les sacs en plastique et les petites pièces doivent être tenus hors de portée des personnes (y compris les enfants) aux capacités physiques, sensorielles ou mentales réduites.
2. Risque de chute ! Assurez-vous que l'appareil est bien installé et qu'il ne risque pas de tomber. N'utilisez que des supports ou fixations adaptés (notamment pour les installations fixes). Assurez-vous que les accessoires sont correctement installés et fixés. Veillez à ce que les règles de sécurité applicables soient respectées.

**AVERTISSEMENT :**

1. N'utilisez l'appareil que de la manière prévue.
2. N'utilisez avec l'appareil que des accessoires recommandés et prévus par le fabricant.
3. Pendant l'installation, respectez les règles de sécurité en vigueur dans votre pays.
4. Après avoir branché l'appareil, vérifiez le cheminement de tous les câbles pour éviter tout dommage ou accident, par exemple en raison de risques de trébuchement.
5. Respectez toujours la distance minimale spécifiée par rapport aux matériaux normalement inflammables ! Sauf mention explicite, la distance minimale est de 0,3 m.
6. Respectez toujours la distance minimale de la surface éclairée lisible sur l'appareil !

**ATTENTION :**

1. Dans le cas de composants mobiles tels que des supports de montage ou d'autres pièces similaires, il existe un risque de blocage.
2. Dans le cas des appareils dotés de composants motorisés, il existe un risque de blessure dû au mouvement de l'appareil. Un mouvement soudain de l'appareil peut provoquer des réactions de choc.



3. La surface du boîtier de l'appareil peut devenir très chaude lors d'un fonctionnement régulier. Veillez à ce qu'il ne soit pas possible de toucher accidentellement le boîtier. Laissez toujours la lampe refroidir suffisamment avant de la déposer, de l'entretenir, de la recharger, etc.



AVIS :

1. N'installez pas et ne faites pas fonctionner l'appareil à proximité de radiateurs, de bouches de chaleur, de poêles ou d'autres sources de chaleur. Veillez toujours à ce que l'appareil soit installé de manière à ce qu'il soit suffisamment refroidi et ne puisse pas surchauffer.
2. Ne placez pas de sources d'inflammation telles que des bougies allumées à proximité de l'appareil.
3. Les ouvertures de ventilation ne doivent pas être couvertes et les ventilateurs ne doivent pas être bloqués.
4. Pour le transport, utilisez l'emballage d'origine ou l'emballage fourni par le fabricant.
5. Évitez tout choc ou impact sur l'appareil.
6. Respectez la classe de protection IP ainsi que les conditions ambiantes telles que la température et l'humidité spécifiées dans les caractéristiques.
7. Les appareils sont susceptibles d'améliorations en permanence. En cas d'informations divergentes sur les conditions de fonctionnement, les performances ou d'autres propriétés de l'appareil entre le manuel d'utilisation et l'étiquetage de l'appareil, les informations figurant sur l'appareil sont toujours prioritaires.
8. L'appareil n'est pas adapté aux climats tropicaux ni à un fonctionnement à plus de 2000 m au-dessus du niveau de la mer.
9. Sauf indication expresse, l'appareil ne convient pas à un fonctionnement en milieu marin.



Pour les kits ou accessoires de conversion ou d'adaptation fournis par le fabricant, il est essentiel de respecter les instructions incluses.



ATTENTION ! INFORMATIONS IMPORTANTES CONCERNANT LES PRODUITS D'ÉCLAIRAGE !



1. Ne regardez jamais directement le faisceau lumineux, même pendant une courte période.
2. Ne regardez jamais dans le faisceau lumineux à l'aide de dispositifs optiques tels qu'une loupe.
3. Les effets stroboscopiques peuvent provoquer des crises d'épilepsie chez les personnes sensibles !
4. Ces unités d'éclairage sont équipées de lampes installées de manière permanente. Elles ne peuvent pas être remplacées par l'utilisateur. Les lampes contenues dans cette unité d'éclairage ne peuvent être remplacées que par le fabricant, son partenaire de service ou une personne de qualification similaire.





TRANSMISSION DE SIGNAUX PAR RADIO (par exemple, W-DMX ou systèmes de radio audio):

La qualité et les performances des transmissions de signaux sans fil dépendent généralement des conditions ambiantes. Les facteurs suivants peuvent avoir un impact sur la portée et la stabilité du signal:

Blindage (par exemple, maçonnerie, structures métalliques, eau)

Utilisation intense du spectre HF radio (par exemple, réseaux locaux sans fil de grande puissance)

Interférences

Rayonnement électromagnétique (par exemple, écrans vidéo LED, gradateurs)

Toutes les valeurs de portée se réfèrent à une application en champ libre avec un contact visuel et sans interférence !

L'exploitation des systèmes émetteurs HF est soumise à des réglementations officielles. Celles-ci peuvent varier d'une région à l'autre et doivent être vérifiées par l'opérateur avant l'utilisation (par exemple, la fréquence radio et la puissance de transmission).



AVERTISSEMENT : Les appareils avec transmission de signaux sans fil ne conviennent pas à une utilisation dans des zones sensibles dans lesquelles l'utilisation de la radio peut avoir des effets néfastes. Citons notamment:

- Hôpitaux, centres de santé ou autres établissements de soins de santé qui fournissent un traitement au patient avec du personnel et des équipements qualifiés.
- Zones dangereuses Classe I, II et III
- Zones d'accès restreint
- Installations militaires
- Avions ou véhicules
- Zones où l'utilisation des téléphones portables est interdite



TRANSMISSION VIA W-DMX

AVERTISSEMENT : En général, la transmission DMX sans fil ne doit pas être utilisée pour des applications impliquant des facteurs liés à la sécurité qui pourraient entraîner des blessures ou des dommages matériels en cas de défaillance.

Cela s'applique en particulier aux scènes et structures mobiles, aux moteurs/ascenseurs ou dispositifs de levage commandés par DMX pour contrôle de plates-formes élévatrices, de systèmes hydrauliques ou de dispositifs mobiles similaires.

En outre, la transmission DMX sans fil ne doit pas être utilisée pour déclencher des dispositifs générateurs de flammes ou pyrotechniques, des effets à explosion ou pour contrôler des effets de gaz ou de liquides. Ces dispositifs peuvent être des canons à CO₂, des canons à confettis, des machines à effets d'eau ou autres.

i**TEMPÉRATURE AMBIANTE DE FONCTIONNEMENT**

Veillez respecter la température ambiante maximale en fonctionnement indiquée dans les données techniques. Un circuit de protection spécial dans le projecteur permet de réduire la luminosité si la température ambiante est trop élevée pour protéger les composants de l'appareil. Si vous constatez une perte de luminosité importante du projecteur, vérifiez la température ambiante à proximité directe du projecteur et, le cas échéant, veillez à ce que la température soit ramenée à la valeur maximale autorisée ou à une valeur inférieure.

i**INSTRUCTIONS POUR L'INSTALLATION DE L'APPAREIL EN INTÉRIEUR**

1. Les équipements destinés aux applications d'installation fixe sont conçus pour fonctionner en continu.
2. Les équipements destinés à une installation en intérieur ne sont pas résistants aux intempéries.
3. Les surfaces et les pièces en plastique peuvent également vieillir dans les équipements d'installation, par exemple en raison de l'exposition aux UV et des fluctuations de température. Cela ne nuit généralement pas à un bon fonctionnement.
4. Avec les appareils installés de façon permanente, il faut s'attendre à l'accumulation d'impuretés, par exemple de la poussière. Respectez toujours les instructions d'entretien.
5. Sauf mention contraire explicite sur l'appareil ou dans les données techniques, les appareils sont prévus pour des hauteurs d'installation inférieures à 5 m.

CONTENU DU CARTON

Sortez le produit du carton et retirez tous les matériaux d'emballage. Veuillez vérifier l'intégralité et l'intégrité de la livraison et informer votre partenaire de distribution immédiatement après l'achat si la livraison n'est pas complète ou si elle est endommagée.

Le carton de livraison du produit CLG4FC comprend:

- ▶ 1 projecteur sur rail Cameo G4FC, noir
- ▶ Manuel de l'utilisateur

Le carton de livraison du produit CLG4FCWH comprend:

- ▶ 1 projecteur sur rail Cameo G4FCWH, blanc
- ▶ Manuel de l'utilisateur

INTRODUCTION

Projecteur LED sur rail pour galerie, avec LED RGBL de 40 W
CLG4FC (boîtier noir)
CLG4FCWH (boîtier blanc)

TYPES DE CONTRÔLE

1CH, 2CH 16 bits, 3CH CCT, 3CH Presets, 4CH Direct, 5CH HSI,
DMX 8CH Direct + CCT et 12CH 16 bits, contrôle DMX intégral
W-DMX™
Fonction autonome (paramétrage via Cameo Unicon)

FONCTIONNALITÉS

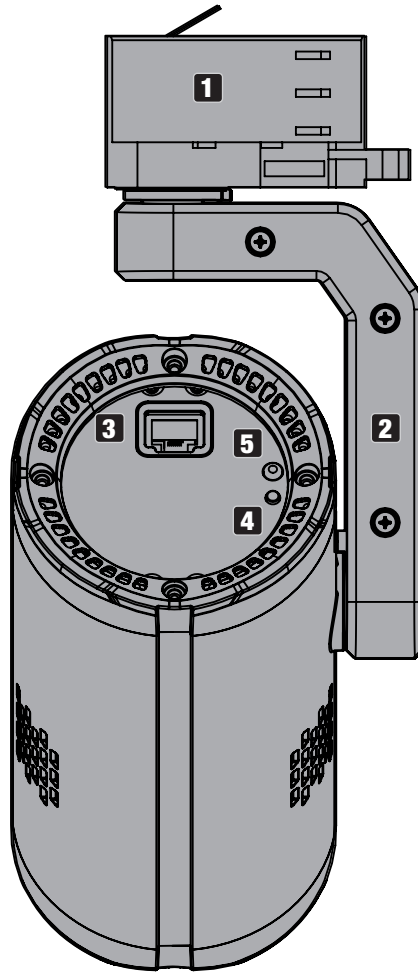
Compatible avec les pistes triphasées GLOBAL pro (anciennement NOKIA) XTS, XTTS et XTSC.
IED RGBL DE 40 W. W-DMX™. DMX512. Port RJ45. Tension secteur: 100-240 V.

Des écrans de diffusion, des filtres et des grilles de rétrécissement d'angle sont disponibles en option.

Le projecteur est compatible avec le protocole RDM (Remote Device Management). Ce protocole de gestion à distance des appareils permet d'interroger leur état et de les configurer via un contrôleur compatible RDM, tel que le Cameo UNICON disponible en option (référence CLIREMOTE).

Le Cameo UNICON permet également d'accéder à l'ensemble du menu de l'appareil.

BRANCHEMENTS, UTILISATION ET INDICATEURS



1 ADAPTATEUR DE RAIL

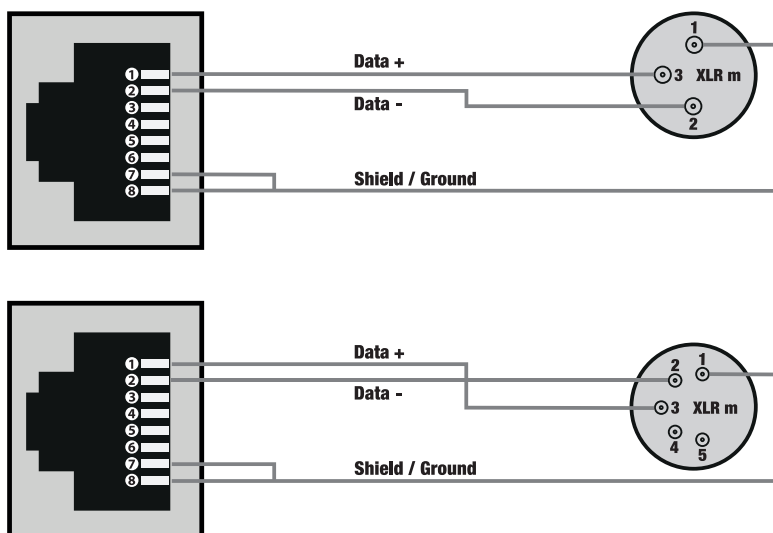
Adaptateur de rail pour montage sur rail triphasé compatible.

2 BRAS DE SUPPORT INCLINABLE ET PIVOTANT

Bras de support avec deux articulations pour ajuster la direction du faisceau sur le plan horizontal et vertical.

3 PORT RJ45

Interface permettant de configurer et de contrôler le projecteur à l'aide du contrôleur Cameo UNICON DMX/RDM. Le projecteur peut également être configuré à l'aide d'un autre contrôleur RDM et contrôlé à l'aide d'un contrôleur DMX standard. Affectation des broches:



4 BOUTON DE RÉINITIALISATION W-DMX

Bouton permettant de désactiver les connexions W-DMX et d'appairer le projecteur avec les appareils W-DMX. La surface du boîtier de l'appareil peut devenir très chaude en cours de fonctionnement normal. Laissez toujours l'appareil refroidir suffisamment avant d'utiliser le bouton. Activez le récepteur W-DMX du projecteur via le Cameo UNICON puis réinitialisez le récepteur en appuyant sur le bouton pendant environ 3 secondes. Toutes les connexions précédentes sont désactivées et le récepteur est mis en attente d'appairage pendant environ 1 minute, la LED d'état n°5 clignote rapidement en rouge. Le récepteur attend maintenant une demande d'appairage de l'émetteur. Lancez le processus d'appairage sur l'émetteur ; l'appairage s'effectue automatiquement. De même, plusieurs récepteurs peuvent être appariés à un émetteur, soit simultanément, soit l'un après l'autre. La connexion W-DMX est maintenue jusqu'à sa désactivation, que ce soit au moyen de la commande Reset dans le récepteur ou de la commande Unlink dans l'émetteur, qu'un appareil ait été débranché ou non entre-temps.

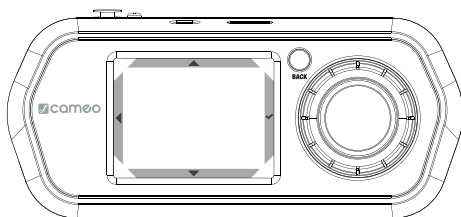
5 LED STATUS

La LED indique l'état actuel du projecteur lorsqu'il est contrôlé par câble et W-DMX.

Contrôle filaire (RJ45, W-DMX désactivé)	
La LED s'allume en permanence en bleu	Le signal DMX est présent
La LED clignote en bleu	Pas de signal DMX
LED éteinte	Fonctionnement autonome

Contrôle via W-DMX™	
La LED clignote en rouge, environ 1 fois par seconde	Activez le W-DMX
La LED clignote rapidement en rouge	L'appairage avec un émetteur a été annulé, et l'appareil est prêt pour un nouvel appairage
La LED est allumée en permanence en vert	Appairage, signal DMX présent
La LED clignote en vert	Appairé, pas de signal DMX

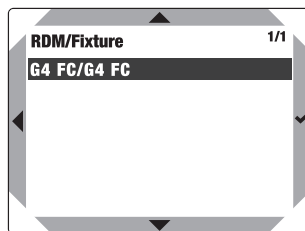
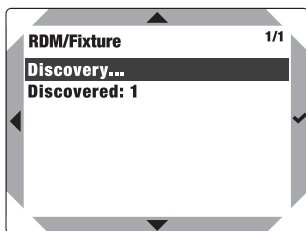
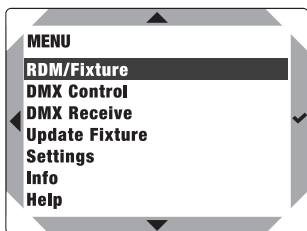
UTILISATION AVEC CONTRÔLEUR CAMEO UNICON (disponible en option)



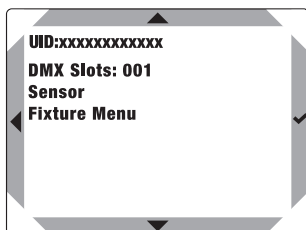
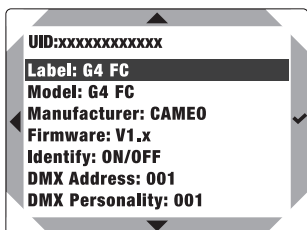
Fonctions des contrôles		
Display		Encoder + BACK
▲	Valeur +	↺
▼	Valeur -	↻
◀	En arrière	Back
✓	Confirmer	Encoder

Après avoir allumé le contrôleur UNICON (appuyez brièvement sur BACK pour l'allumer), le message "Update, Please Wait" (à des fins de service uniquement) s'affiche brièvement à l'écran, puis le menu principal apparaît. Reliez le contrôleur au projecteur sur rail G4 FC via un câble réseau, puis connectez le projecteur à l'alimentation électrique.


Sélectionnez le point de menu **RDM/Fixture** et confirmez la sélection. Le système recherche maintenant les appareils RDM connectés (Discovery) et si le G4 FC est correctement connecté et allumé, un appareil est trouvé (Discovered : 1). Après un court instant, le G4 FC s'affiche comme le seul appareil dans une liste (la première partie de l'appareil RDM affiché indique son modèle, la deuxième partie derrière "/" est son étiquette/label, qui peut se modifier individuellement dans le point de menu **Label** afin de faciliter l'identification du projecteur). Confirmez maintenant pour accéder au sous-menu.



Toutes les informations et options de configuration du projecteur qui peuvent être appelées et modifiées via RDM sont désormais affichées.

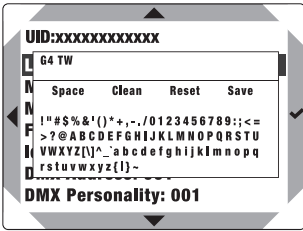


Liste des informations et des options de configuration avec explications:

UID:	Numéro d'identification individuel et invariable de l'appareil RDM sélectionné	
Label:	Étiquette/label réglable individuellement de l'appareil RDM	
Model:	Modèle de l'appareil	
Manufacturer:	Fabricant de l'appareil	
Firmware:	Version de firmware de l'appareil	
Identify:	ON	Le projecteur/spot sélectionné clignote environ 1 fois par seconde
	OFF	Clignotement désactivé
DMX address	Adresse de départ DMX actuelle (peut être modifiée dans l'option de menu)	
DMX Personality:	Mode DMX actuel (peut être modifié dans l'option de menu)	
DMX slots:	Nombre de canaux dans le mode DMX actuel	
Sensor	Température de la LED (appuyez sur  pour afficher)	
Menu Fixture	Menu spécifique à chaque appareil Cameo, pour édition de ses paramètres (voir MENU DE L'APPAREIL (Menu de l'appareil))	

LABEL

Dans le menu RDM/Fixture, sélectionnez **Label** et confirmez la sélection pour nommer individuellement l'appareil RDM.



Sélection des caractères:	▲ ou ▼ ou tournez l'encodeur
Suppression de tous les caractères:	Reset
Insertion d'une espace:	Space
Réinitialisation du caractère en cours:	Clean
Enregistrement du label/étiquette:	Save
Confirmation de la commande ou du caractère et sélection de la position suivante:	Appuyez sur ✓ ou sur l'encodeur

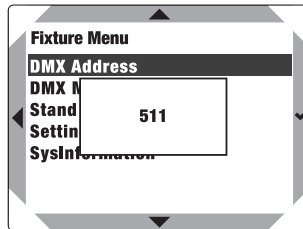
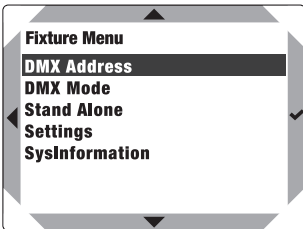
DEVICE MENU (Menu de l'appareil):

Dans le menu RDM/Fixture, sélectionnez **Fixture Menu** et confirmez la sélection.



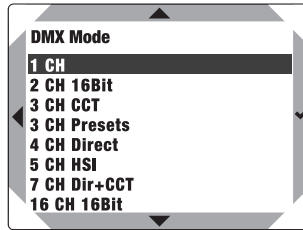
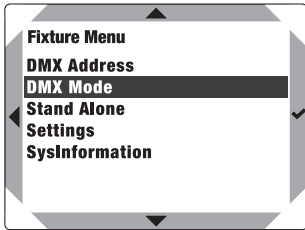
CONFIGURER L'ADRESSE DE DÉPART DMX

Sélectionnez **DMX Address**, confirmez la sélection, réglez l'adresse DMX souhaitée et confirmez la saisie. (la valeur la plus élevée dépend du mode de fonctionnement DMX actuellement activé)



SÉLECTIONNER LE MODE DMX

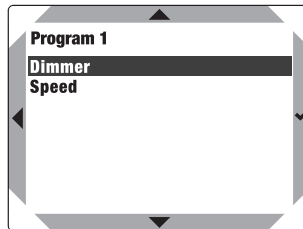
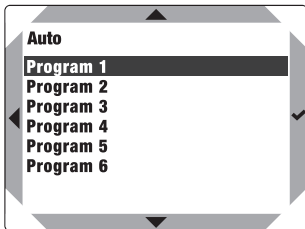
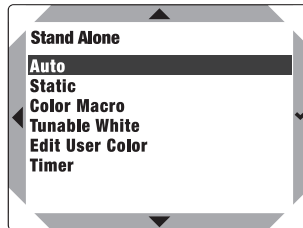
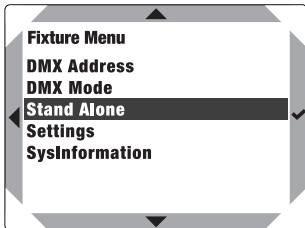
Sélectionnez **DMX Mode**, confirmez la sélection, puis sélectionnez le mode DMX désiré et confirmez la sélection.



MODE AUTONOME AUTO

Les 6 programmes Auto disponibles comprennent chacun des séquences de changement de couleur non modifiables. La luminosité (Dimmer) et la vitesse de défilement (Speed) sont réglables séparément dans chaque programme.

Sélectionnez **Stand Alone**, confirmez la sélection, puis sélectionnez **Auto** et confirmez à nouveau. Sélectionnez ensuite le programme souhaité (Program 1 à 6) puis confirmez à nouveau. Sélectionnez ensuite **Dimmer** ou **Speed**, confirmez et réglez la valeur de la luminosité ou de la vitesse de 001 à 100 comme vous le souhaitez. Confirmez toutes les entrées.

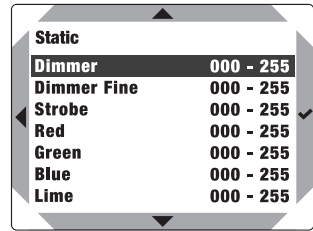
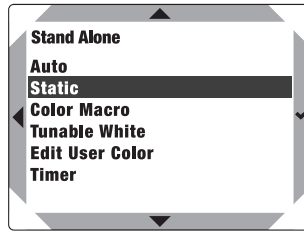
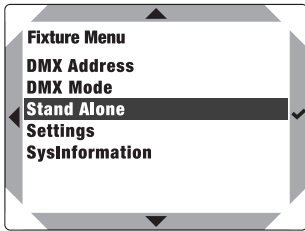


MODE AUTONOME STATIC

Le mode autonome Static permet de régler les valeurs Dimmer, Dimmer Fine, Strobe et RGBAL directement sur l'appareil avec des valeurs comprises entre 000 et 255, de la même manière qu'avec un contrôleur DMX. Il est ainsi possible de créer une scène spécifique sans utiliser de contrôleur DMX.

Sélectionnez **Stand Alone**, confirmez la sélection, puis sélectionnez **Static** et confirmez à nouveau. Sélectionnez ensuite l'élément de menu que vous souhaitez modifier et confirmez la sé-

lection. Dans le point de menu sélectionné, réglez la valeur souhaitée de 000 à 255 et confirmez la saisie. Les valeurs de l'effet stroboscopique correspondent aux valeurs du canal 2 du tableau DMX des presets DMX 3 CH.

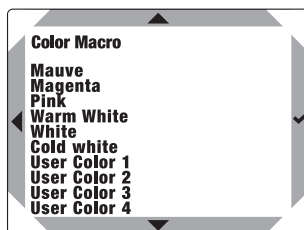
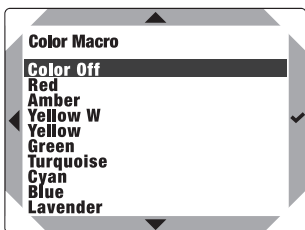
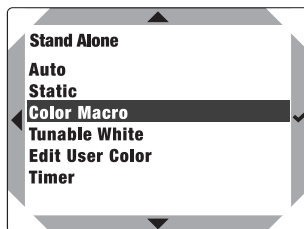
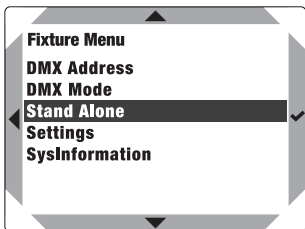


MODE AUTONOME COLOR MACRO

15 macros de couleurs différentes et 4 couleurs individuelles (User Color 1-4) sont disponibles en tant que préréglages. La luminosité peut être réglée pour chaque préréglage.

Sélectionnez **Stand Alone**, confirmez la sélection, puis sélectionnez **Color Macro** et confirmez à nouveau. Sélectionnez le préréglage de couleur souhaité et confirmez (Color Off = noir, blackout). La luminosité de la présélection sélectionnée peut maintenant être réglée de 000 à 100. Confirmez toutes les entrées.

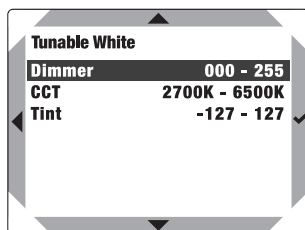
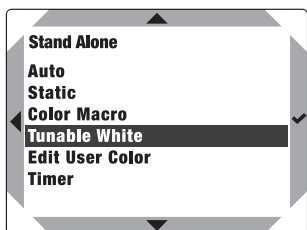
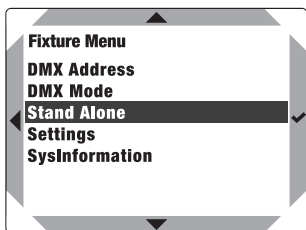
Les couleurs individuelles User Color 1-4 sont créées dans l'élément de menu **Edit User Color** du menu **Stand Alone**.



MODE AUTONOME BLANC TUNEABLE WHITE

Dans le mode autonome Tuneable White, la température de couleur (CCT) peut être réglée de 1800 K à 6500 K par incréments de 100 K, en plus de la luminosité (Dimmer) et de la couleur (Tint).

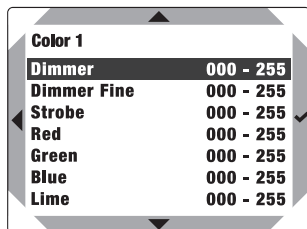
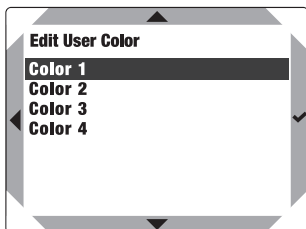
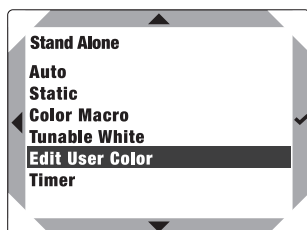
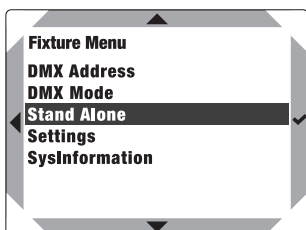
Sélectionnez **Stand Alone**, confirmez la sélection, puis sélectionnez **Tunable White** et confirmez à nouveau. Sélectionnez ensuite l'élément de menu que vous souhaitez modifier et confirmez la sélection. Réglez la valeur souhaitée et confirmez la saisie.



CATÉGORIE AUTONOME EDIT USER COLOUR

La catégorie autonome Edit User Color permet d'enregistrer la luminosité (Dimmer et Dimmer Fine), le stroboscope (Strobe) et un mélange de couleurs R, G, B et L directement dans l'appareil, sous forme de quatre pré-réglages de couleurs individuels.

Sélectionnez **Stand Alone**, confirmez la sélection, puis sélectionnez **Edit User Color** et confirmez à nouveau. Sélectionnez le pré-réglage souhaité (Color 1 - Color 4) et confirmez la sélection. Sélectionnez ensuite l'élément de menu que vous souhaitez modifier et confirmez. Réglez la valeur souhaitée de 000 à 255 et confirmez à nouveau. Les valeurs de l'effet stroboscopique correspondent aux valeurs du canal 2 du tableau des presets DMX 3 CH.

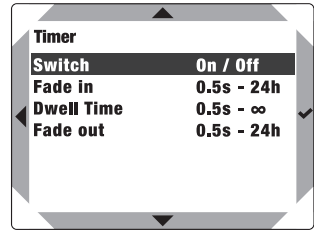
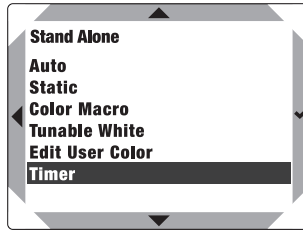
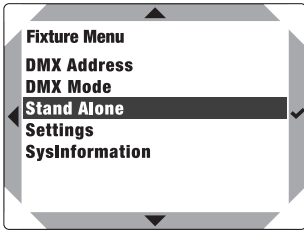


FONCTION TIMER

La fonction de Timer permet de contrôler par minuterie les modes autonomes Static, Color Macro et Tuneable White : durée de Fade In réglable de 0,5 seconde à 24 heures, de Dwell Time (maintien) de 0,5 seconde à 24 heures et même l'infini (Limitless), de Fade Out de 0,5 seconde à 24 heures. Une fois la fonction Timer activée, la minuterie sera mise en œuvre lors du prochain démarrage du système.

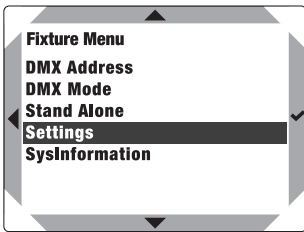
Sélectionnez **Stand Alone**, confirmez la sélection, puis sélectionnez **Timer** et confirmez à nouveau. Dans **Switch**, sélectionnez **On** et confirmez. Pour régler les paramètres contrôlés par la minuterie, sélectionnez **Fade In**, **Dwell Time** ou **Fade Out** et confirmez. Vous pouvez maintenant

réglér la valeur correspondante comme vous le souhaitez. Confirmez toutes les entrées. Pour désactiver la fonction de minuterie, dans **Switch**, sélectionnez **Off** et confirmez.



PARAMÈTRES DU SYSTÈME (Settings)

Sélectionnez **Settings** et confirmez.



Vous accédez ainsi au sous-menu permettant de configurer les éléments du sous-menu (voir tableau):

Settings				
DMX Fail	=	Choix du comportement en cas de défaillance du signal DMX	Hold	Maintien de la dernière commande
			User Colour 1	Activation de la couleur utilisateur 1
			Fade out 10s	Fondu au noir de 10 secondes
			Blackout	Active l'occultation (blackout)
			Full On	Toutes les LED à 100 % (Plein feu)
Dimmer Curve	=	Courbe de gradateur	Linear	L'intensité lumineuse augmente linéairement avec la valeur DMX
			Exponential	L'intensité lumineuse varie finement pour les valeurs DMX basses, et plus grossièrement pour les valeurs DMX élevées
			Logarithmic	L'intensité lumineuse varie grossièrement pour les valeurs DMX basses et avec précision pour les valeurs DMX élevées

Dimmer Curve	=	Courbe de gradateur	S-curve	L'intensité lumineuse varie avec précision pour les valeurs DMX basses et élevées, et plus grossièrement pour les valeurs DMX intermédiaires
Dimmer Response	=	Réponse du gradateur	LED	La luminosité varie brusquement aux changements de valeur DMX
			Halogen	La luminosité émule celle d'une source halogène, avec de légères variations de brillance
Red Shift	=	Reproduit fidèlement la dérive des couleurs lors de la gradation d'un projecteur halogène Lors de la réduction de l'intensité lumineuse	Off	La dérive des couleurs est désactivée
Red Shift		Spotlight, la température de couleur passe automatiquement et progressivement du blanc chaud à l'ambre (et vice versa).	On	La dérive des couleurs est activée
PWM Frequency	=	Réglage de la fréquence PWM	800 Hz / 1 200 Hz / 2 000 Hz / 3 600 Hz / 12 kHz / 25 kHz	
Calibration	=	Étalonnage des couleurs	Rouge	Étalonnage individuel des couleurs. Réglage de la luminosité entre les modes R, G, B, A et L avec des valeurs comprises entre 000 et 255.
			Vert	
			Bleu	
			Lime	
W-DMX	=	Activation et désactivation du contrôle sans fil	Off	Contrôle sans fil désactivé
			On	Contrôle sans fil activé
Status LED	=	Comportement de la LED d'état	Always On	LED allumée en permanence
			OFF	LED éteinte
			Off after 30s	La LED s'éteint après 30 secondes
Power	=	Mode de fonctionnement	Constant	Luminosité constante sur de longues périodes
			Maximum	Luminosité maximale

Factory Reset	=	Réinitialisation des paramètres d'usine	Reset?	Réinitialisation des paramètres d'usine : Effectuer la réinitialisation avec ENTER, annuler avec MENU
Factory Reset WC	=	Réinitialisation des paramètres d'usine, à l'exception des couleurs utilisateur	WC Reset?	Réinitialisation aux paramètres d'usine, à l'exception des couleurs utilisateur : Effectuez la réinitialisation avec ENTER, annulez avec MENU

INFORMATIONS SYSTÈME (SysInformation)

A partir de l'écran principal, appuyez sur l'encodeur pour accéder au menu principal. Sélectionnez le point de menu **SysInformation** et confirmez la sélection.



Vous accédez ainsi au sous-menu permettant d'accéder aux informations système (voir tableau):

SysInformation			
Firmware	=	Version de firmware de l'appareil	Main CPU V1.xx
Temperature	=	Affiche la température de la LED	LED TEMP
			Temperature unit
			xx °C / xx °F
			Celsius (= affichage en degrés Celsius)
			Fahrenheit (= affichage en degrés Fahrenheit)
Operation Hours	=	Affiche la durée de fonctionnement	xx:xx h
			Affichage de la durée de fonctionnement de l'appareil en heures et minutes

MONTAGE

ENGLISH



DANGER : Le montage au plafond nécessite une grande expérience, notamment pour calculer les valeurs limites de charge du matériel d'installation et vérifier régulièrement la sécurité de tous les matériaux d'installation et des projecteurs. Si vous ne possédez pas ces qualifications, n'essayez pas d'effectuer une installation vous-même. Adressez-vous plutôt à un professionnel qualifié. Les appareils mal montés et mal fixés risquent de se détacher et de tomber. Cela peut entraîner des blessures graves, voire mortelles.

DEUTSCH



DANGER : N'utilisez le projecteur que pour des rails montés horizontalement (montage horizontal au plafond). Le projecteur n'est pas adapté aux rails inclinés et au montage mural.

FRANCAIS



AVERTISSEMENT : Avant le montage ou le démontage, assurez-vous qu'aucune tension électrique n'est appliquée au rail triphasé (coupez les fusibles).



ATTENTION : Le projecteur ne convient pas à une utilisation avec des gradateurs externes.

ESPAÑOL

Utilisez la molette A pour choisir la phase 1, 2 ou 3 (voir la fenêtre sous la molette ; 0 = off). Ce réglage peut être effectué avant ou après le montage sur rail.

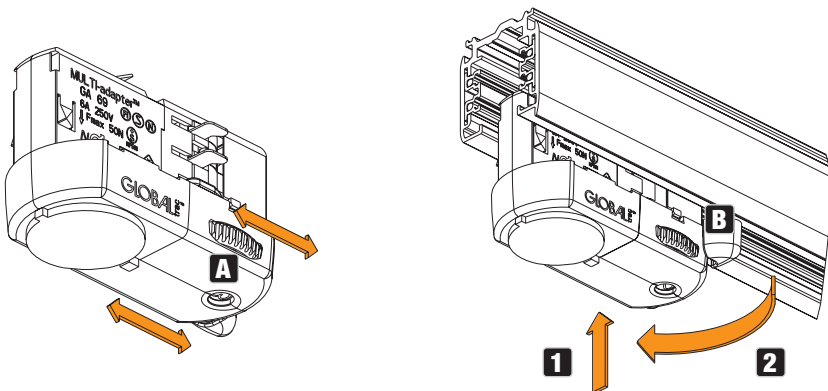
Pour le montage sur rail, ouvrez le levier de verrouillage B de l'adaptateur de rail (levier en position ouverte sur l'illustration), puis appuyez sur l'adaptateur pour le faire entrer dans le rail jusqu'à ce qu'il repose à plat sur les bords du rail (Fig. 1).

Sécurisez la fixation en refermant le levier de verrouillage (Fig. 2).

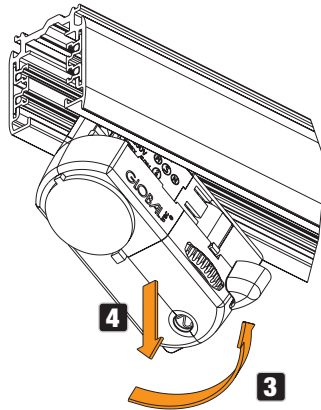
POLSKI

ITALIANO

DMX



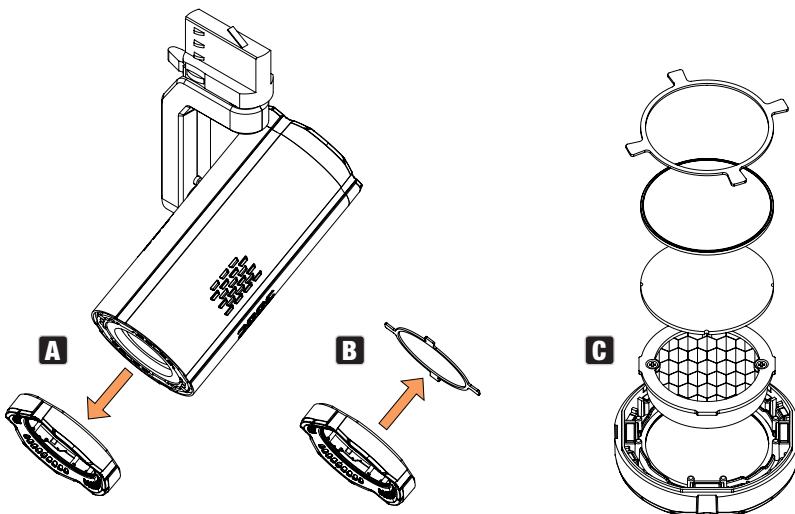
Pour démonter le projecteur, ouvrez le levier de blocage (fig. 3) et tirez le projecteur vers le bas pour le sortir du rail (fig. 4).



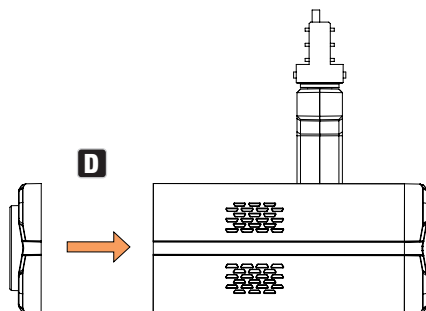
MONTAGE DE LA GRILLE DIRECTIONNELLE, DU DIFFUSEUR ET DU FILTRE

Jusqu'à trois accessoires disponibles en option peuvent être montés en combinaison devant la lentille de sortie du projecteur (voir ACCESSOIRES EN OPTION).

Retirez du projecteur l'anneau d'extrémité maintenu par de puissants aimants (fig. A), puis l'anneau de retenue, également maintenu par des aimants, de l'anneau d'extrémité (fig. B). Placez ensuite les accessoires souhaités (dans l'exemple C, d'abord la grille de rétrécissement, puis un disque diffuseur et enfin un filtre CTO) dans l'anneau d'extrémité, puis placez l'anneau de retenue sur les accessoires dans l'anneau d'extrémité. La position de l'anneau de retenue, parmi les trois possibles, dépend de la hauteur totale des accessoires insérés.



Placez ensuite l'anneau d'extrémité, y compris les accessoires, sur le projecteur, comme indiqué dans la figure D.



ACCESSOIRES EN OPTION

Filtre

CLG4CTB (Filtre CTB)
CLG4CTO (filtre CTO)

Diffuseurs

CLG46010LENS (60° x 10°)
CLG410LENS (10°)
CLG420LENS (20°)
CLG430LENS (30°)
CLG460LENS (60°)

Grilles de rétrécissement

CLG4HC (Nid d'abeille, noir)
CLG4HCWH (Nid d'abeille, blanc)

ENTRETIEN, MAINTENANCE ET RÉPARATIONS

Afin de garantir le bon fonctionnement à long terme de l'appareil, celui-ci doit être régulièrement nettoyé et, si nécessaire, passer en maintenance. Le besoin de maintenance dépend de l'intensité de l'utilisation et de l'environnement dans lequel il est utilisé.

Nous recommandons généralement une inspection visuelle avant chaque opération. En outre, nous recommandons d'effectuer toutes les opérations de maintenance applicables spécifiées ci-dessous une fois toutes les 500 heures de fonctionnement ou, en cas d'intensité d'utilisation moindre, au plus tard au bout d'un an. Les demandes de garantie peuvent être limitées en cas de défauts résultant d'une maintenance inadéquate.

ENTRETIEN (effectué par l'utilisateur)



AVERTISSEMENT ! Avant d'effectuer toute opération de maintenance, il faut débrancher l'alimentation électrique et, si possible, toutes les connexions de l'appareil.



À NOTER : Un mauvais entretien peut entraîner une détérioration de l'appareil, voire sa destruction.

1. Les surfaces du boîtier doivent être nettoyées avec un chiffon propre et humide. Veillez à éviter toute infiltration d'humidité dans l'appareil.
2. Les entrées et sorties d'air doivent être régulièrement débarrassées de la poussière et des saletés. Si vous utilisez de l'air comprimé, veillez à ne pas endommager l'appareil (dans ce cas, il faut bloquer les ventilateurs avant d'envoyer l'air comprimé).
3. Les câbles et les contacts des connecteurs doivent être nettoyés régulièrement et la poussière et la saleté doivent être éliminées.
4. De façon générale, n'utilisez aucun produit de nettoyage agressif ou substance abrasive, sous peine d'endommager la finition de surface de l'appareil.
5. Les appareils doivent généralement être stockés au sec et protégés de la poussière et de la saleté.

MAINTENANCE ET RÉPARATION (uniquement par du personnel qualifié)



DANGER ! L'appareil contient des composants sous tension. Même après avoir débranché la fiche de la prise secteur, il peut subsister une tension résiduelle dans l'appareil, par exemple en raison de condensateurs chargés.



À NOTER ! L'appareil ne contient pas de sous-ensembles pouvant être entretenus par l'utilisateur.

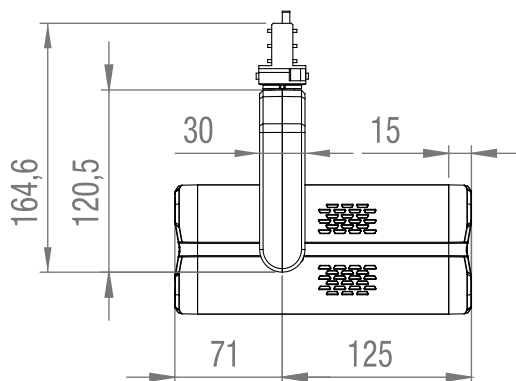


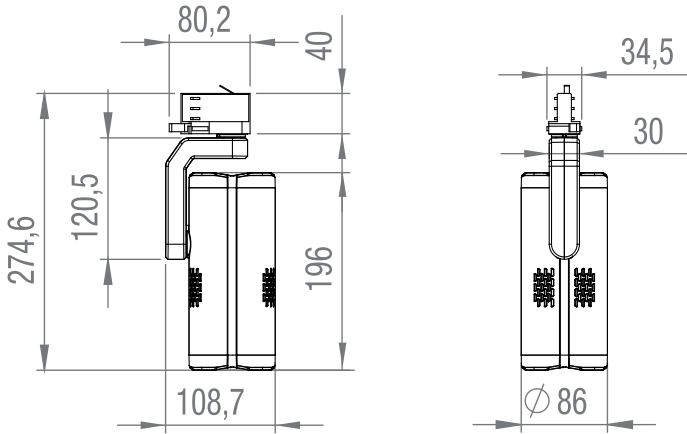
À NOTER ! Les travaux d'entretien et de réparation ne peuvent être effectués que par du personnel qualifié et autorisé par le fabricant. En cas de doute, consultez le fabricant.



À NOTER ! Des travaux d'entretien/maintenance mal effectués peuvent affecter le recours à la garantie.

DIMENSIONS (mm)



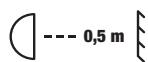


CARACÉRISTIQUES TECHNIQUES

Référence produit	CLG4FC(WH)
Type de produit :	Projecteur/spot LED
Type :	Spot pour installation fixe
Spectre de couleurs :	RGBL
Nombre de LED :	1
Type de LED :	4 en 1, COB
Puissance de sortie LED :	40 W
Fréquence MLI LED :	800 Hz, 1 200 Hz, 2 000 Hz, 3 600 Hz, 12 kHz, 25 kHz (réglable)
Demi-angle de chaff :	5
Angle de diffusion :	10
Entrée DMX :	1x RJ45
Sortie DMX :	----
Fonctions DMX :	Dimmer, Dimmer Fine, Strobe, Red, Green, Blue, Lime, Hue, Saturation, Colour Temperature, Tint, Colour Presets, Colour Blending, Record User Colours, Device Settings
Contrôle :	DMX512, W-DMX™, RDM
Fonctions autonomes :	Statique
Éléments de contrôle :	Bouton W-DMX + télécommande externe
Tension secteur :	100 à 240 V 50 - 60 Hz
Consommation électrique :	40 W
Courant d'appel :	45 A / 0,3 ms (première demi-onde)
Flux lumineux :	PLEIN FEU : 410lm

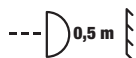
Indice de reproduction des couleurs Ra :	>77 @ 6500K
Rails compatibles :	GLOBAL pro (anciennement NOKIA) XTS, XTTS et XTSC, passages pour 3 phases
Connecteur d'alimentation électrique :	Adaptateur de rail (phase sélectionnable)
Température ambiante (en fonctionnement) :	0°C - 40°C
Humidité relative de l'air :	< 80 % sans condensation
Couleur du boîtier :	Noir (CLG4FC) Blanc (CLG4FCWH)
Matériau du boîtier :	Métal
Refroidissement du boîtier :	Refroidissement par convection
Distance minimale par rapport à la surface éclairée :	0,5 m
Distance minimale par rapport aux matériaux normalement inflammables :	0,5 m
Dimensions (Ø x L, sans bras de support) :	86 x 196 mm
Poids :	1,3 kg
RDP (Material Group A) :	0,25 @ 2700K; 0,44 @ 6500K
RDP (Material Group B) :	0,58 @ 2700K; 0,60 @ 6500K
Accessoires (en option) :	Lentilles interchangeables (10°, 20°, 30°, 60°, 60°x10°) nid d'abeille, filtre CTO, filtre CTB

DISTANCE MINIMALE PAR RAPPORT À LA SURFACE ÉCLAIRÉE



Ce symbole, accompagné d'une indication de distance en mètres (m), indique la distance minimale entre le spot/projecteur et la surface éclairée. Dans cet exemple, la distance est de 0,5 m. Veuillez vous référer aux données techniques de ce manuel et à l'impression sur le boîtier de l'appareil pour connaître la valeur applicable pour cet appareil !

DISTANCE MINIMALE PAR RAPPORT AUX MATÉRIAUX NORMALEMENT INFLAMMABLES



Ce symbole, accompagné d'une indication de distance en mètres (m), indique la distance minimale entre le spot/projecteur et les matériaux normalement inflammables. Dans cet exemple, la distance est de 0,5 m. Veuillez vous référer aux données techniques de ce manuel pour connaître la valeur applicable pour cet appareil.

MISE AU REBUT



EMBALLAGE :

1. Les emballages peuvent être introduits dans le cycle des matériaux réutilisables en utilisant les méthodes d'élimination habituelles.
2. Veillez à séparer les emballages conformément aux lois sur la mise au rebut et aux réglementations sur le recyclage en vigueur dans votre pays.



APPAREIL :

1. Cet appareil est soumis à la directive européenne sur les déchets d'équipements électriques et électroniques telle qu'amendée. Directive DEEE relative aux déchets d'équipements électriques et électroniques. Les appareils usagés ne doivent pas être jetés dans les ordures ménagères. L'appareil usagé doit être éliminé par une entreprise de recyclage agréée ou par un centre de recyclage municipal. Veillez à respecter les réglementations en vigueur dans votre pays.
2. Respectez toutes les lois et réglementations relatives à l'élimination des déchets en vigueur dans votre pays.
3. En tant que client privé, vous pouvez obtenir des informations sur les options d'élimination respectueuses de l'environnement auprès du vendeur du produit ou des autorités régionales compétentes.

DÉCLARATIONS DU FABRICANT

GARANTIE DU FABRICANT ET LIMITATION DE RESPONSABILITÉ

Adam Hall GmbH, Adam-Hall-Str. 1, D-61267 Neu Anspach /

E-Mail Info@adamhall.com / +49 (0)6081 / 9419-0

Nos conditions de garantie et notre limitation de responsabilité actuelles peuvent être consultées en ligne à l'adresse suivante:

https://cdn-shop.adamhall.com/media/pdf/Manufacturers-Declarations-CAMEO_DE_EN_ES_FR.pdf

En cas de recours au service après-vente, veuillez contacter votre interlocuteur commercial.

Conformité CE

Adam Hall GmbH confirme par la présente que ce produit est conforme aux directives suivantes (le cas échéant):

Directive basse tension (2014/35/UE)

Directive CEM (2014/30/UE)

RoHS (2011/65/EU)

RED (2014/53/EU)

Déclaration de conformité CE

Les déclarations de conformité pour les produits soumis aux directives LVD, EMC, RoHS peuvent être demandées à info@adamhall.com

Les déclarations de conformité des produits soumis à la RED peuvent être téléchargées sur le site www.adamhall.com/compliance/

Sous réserve de fautes d'impression et d'erreurs, ainsi que de modifications techniques ou autres!

ENGLISH

DEUTSCH

FRANCAIS

ESPAÑOL

POLSKI

ITALIANO

DMX

Ha tomado la decisión correcta.

Este aparato ha sido desarrollado y fabricado siguiendo las normas de calidad más exigentes para garantizarle muchos años de funcionamiento sin problemas. Lea atentamente este manual de usuario para poder utilizar su nuevo producto Cameo de forma rápida y óptima. Encontrará más información sobre Cameo Light en nuestra página web **CAMEOLIGHT.COM**.

INFORMACIÓN SOBRE ESTE MANUAL DEL USUARIO

- Lea atentamente las instrucciones de seguridad y todo el manual antes de utilizar el equipo.
- Respete los indicadores de advertencia que aparecen en el equipo y en las instrucciones de uso.
- Tenga siempre a mano el manual de usuario.
- Si vende o cede el aparato, es importante que incluya también este manual del usuario, ya que forma parte integrante del producto.

USO PREVISTO

¡Este producto es un foco para instalación permanente!

Este foco está destinado exclusivamente a usuarios profesionales y no es apto para hogares particulares o terceras personas

El uso del producto fuera de los datos técnicos y condiciones de funcionamiento especificados, así como una instalación incorrecta, ¡se considera inadecuado!

El uso inadecuado de este producto exime de toda responsabilidad por daños personales y materiales, incluso de terceros.

El producto no es adecuado para:

- Personas (incluidos niños) con capacidades físicas, sensoriales o mentales reducidas o con falta de experiencia y conocimientos.
- Niños (los niños deben recibir instrucciones de no jugar con este dispositivo).

DEFINICIONES Y EXPLICACIONES DE LOS SÍMBOLOS

1. **PELIGRO:** La palabra PELIGRO, posiblemente en combinación con un símbolo, indica una situación o condición inminentemente peligrosa para la vida y la integridad física.
2. **ADVERTENCIA:** La palabra ADVERTENCIA, posiblemente en combinación con un símbolo, indica situaciones o condiciones potencialmente peligrosas para la vida y la integridad física.
3. **PRECAUCIÓN:** La palabra PRECAUCIÓN, posiblemente en combinación con un símbolo, se utiliza para indicar situaciones o condiciones que pueden provocar lesiones.
4. **ATENCIÓN:** La palabra ATENCIÓN, posiblemente en combinación con un símbolo, indica situaciones o condiciones que pueden provocar daños a la propiedad y/o al medioambiente.



Este símbolo indica peligro de descarga eléctrica.



Este símbolo identifica las zonas o situaciones peligrosas.



Este símbolo indica peligro por superficie a alta temperatura.



Este símbolo indica peligro causado por fuentes de luz intensas.



Este símbolo indica que el equipo no contiene piezas que el usuario pueda sustituir.



Este símbolo indica información adicional sobre el funcionamiento del equipo.



Este símbolo indica un aparato que sólo puede utilizarse en espacios secos.

INSTRUCCIONES DE SEGURIDAD



PELIGRO:

1. No abra ni modifique el equipo.
2. Si el equipo deja de funcionar correctamente, si han entrado líquidos u objetos en el interior del equipo o si este ha sufrido algún otro desperfecto, apáguelo inmediatamente y desconéctelo de la corriente eléctrica. Este equipo solo puede ser reparado por un técnico autorizado.
3. Para los equipos de la clase de protección 1, el conductor de protección debe estar conectado correctamente. No desconecte nunca el conductor de protección. Los equipos de la clase de protección 2 no tienen conductor de protección a tierra.
4. Asegúrese de que los cables con tensión no estén doblados ni dañados mecánicamente de alguna forma.
5. No puentee nunca el fusible del aparato.



ADVERTENCIA:

1. El equipo no debe ponerse en funcionamiento si presenta daños evidentes.
2. El equipo solo debe instalarse cuando esté desenchufado de la corriente eléctrica.
3. Si el cable eléctrico está dañado, no ponga en funcionamiento el equipo.
4. Los cables eléctricos fijos solo deben ser sustituidos por una persona cualificada.

**ATENCIÓN:**

1. Si el equipo ha estado expuesto a un cambio brusco de temperatura (por ejemplo, después del transporte), no lo encienda inmediatamente. La condensación o la humedad podrían dañar el equipo. No encienda el equipo hasta que haya alcanzado la temperatura ambiente.
2. Asegúrese de que la tensión y la frecuencia de la red eléctrica coinciden con los valores indicados en el equipo. Si el equipo dispone de un selector de tensión, antes de enchufarlo a la red eléctrica, asegúrese de que el valor seleccionado es correcto. Utilice solo cables eléctricos adecuados.
3. Para desconectar completamente el equipo de la red eléctrica, no es suficiente con pulsar el interruptor de encendido/apagado del equipo.
4. Asegúrese de que el fusible utilizado corresponde al tipo impreso en el equipo.
5. Asegúrese de que se han tomado las medidas necesarias contra las sobretensiones (por ejemplo, si cae un rayo).
6. Respete la corriente de salida máxima especificada en los equipos con salida eléctrica en paralelo. Asegúrese de que el consumo total de corriente de todos los equipos conectados no supera el valor especificado.
7. Sustituya los cables eléctricos solo por otros cables originales.

**PELIGRO:**

1. ¡Peligro de asfixia! Las bolsas de plástico y las piezas pequeñas deben mantenerse fuera del alcance de las personas (incluidos los niños) con capacidades físicas, sensoriales o mentales reducidas.
2. ¡Peligro de caída! Asegúrese de que el equipo está bien instalado y no se puede caer. Utilice únicamente soportes y anclajes adecuados (especialmente en instalaciones fijas). Asegúrese de que los accesorios están correctamente instalados y bien fijados. Asegúrese de que se cumplen las normas de seguridad pertinentes.

**AVVERTENCIA:**

1. Utilice el equipo solo de la manera prevista.
2. Utilice solo los accesorios recomendados por el fabricante para el equipo.
3. Durante la instalación, respete las normas de seguridad de su país.
4. Después de conectar el equipo, compruebe todas las tiradas de cable para evitar daños o accidentes, por ejemplo, por riesgo de tropiezo.
5. ¡Es esencial respetar la distancia mínima especificada a los materiales normalmente inflamables! Si no se indica explícitamente, la distancia mínima es de 0,3 m.
6. Respete siempre la distancia mínima a la superficie iluminada que está indicada en el aparato.



PRECAUCIÓN:

1. En el caso de los componentes móviles, como los soportes de montaje u otros elementos móviles, existe la posibilidad de que se atasquen.
2. En el caso de los equipos con componentes accionados por motor, existe riesgo de lesiones por el movimiento del equipo. Un movimiento brusco del aparato puede provocar lesiones por impacto.
3. La superficie de la carcasa del equipo puede calentarse mucho durante el funcionamiento regular. Asegúrese de que no sea posible tocar accidentalmente la carcasa. Deje siempre que la lámpara se enfríe lo suficiente antes de desmontarla, realizar trabajos de mantenimiento, recarga, etc.



ATENCIÓN:

1. No instale ni opere el equipo cerca de radiadores, salidas de calefacción, estufas u otras fuentes de calor. Asegúrese siempre de que el equipo está instalado de forma que esté suficientemente refrigerado y no pueda sobrecalentarse.
2. No coloque ninguna fuente de llama desprotegida, como una vela encendida, cerca del equipo.
3. Las rejillas de ventilación no deben estar cubiertas; los ventiladores no deben estar bloqueados.
4. Utilice el embalaje original u otro embalaje suministrado por el fabricante para el transporte.
5. Evite los golpes o impactos en el equipo.
6. Respete la clase de protección IP, así como las condiciones ambientales, como la temperatura y la humedad, de acuerdo con las especificaciones.
7. Los equipos pueden perfeccionarse constantemente. En caso de que la información sobre las condiciones de funcionamiento, el rendimiento u otras propiedades del aparato especificada en el manual del usuario difiera de la información del etiquetado del aparato, siempre tendrá prioridad la información del aparato.
8. El equipo no es adecuado para climas tropicales ni para funcionar a más de 2.000 m sobre el nivel del mar.
9. A menos que se indique explícitamente, el equipo no es adecuado para su uso en entornos marinos.



Si utiliza kits de conversión/adaptación o los accesorios proporcionados por el fabricante, asegúrese de seguir las instrucciones incluidas.



¡PRECAUCIÓN! INFORMACIÓN IMPORTANTE SOBRE LOS PRODUCTOS DE ILUMINACIÓN



1. No mire nunca directamente al haz de luz, ni siquiera durante un breve periodo de tiempo.
2. No mire nunca al haz de luz utilizando dispositivos ópticos como una lupa.
3. ¡Los efectos estroboscópicos pueden provocar ataques epilépticos en individuos susceptibles!
4. Estas unidades de iluminación incorporan lámparas de instalación permanente. No pueden ser sustituidas por el usuario. Las lámparas contenidas en esta unidad de iluminación sólo pueden ser sustituidas por el fabricante, su socio de servicio o una persona con cualificación similar.



SIGNAL TRANSMISSION BY RADIO (e.g. W-DMX or audio radio systems):

La calidad y las prestaciones de las transmisiones de señales inalámbricas suelen depender de las condiciones ambientales. Por ejemplo, los siguientes factores pueden influir en el alcance y la estabilidad de la señal:

Apantallamiento (como muros, estructuras metálicas, agua).

Saturación del espectro de radio (redes inalámbricas potentes).

Interferencias

Radiación electromagnética (videowalls LED, reguladores de intensidad de luces).

Todas las especificaciones sobre el alcance se refieren a la operación en campo libre con línea directa visual y sin interferencias.

El funcionamiento de los transmisores está sujeto a la normativa oficial. Esta puede variar de una región a otra y el operador debe verificarla antes del uso (como la frecuencia de radio y la potencia de transmisión).



ADVERTENCIA: Los transmisores inalámbricos no deben utilizarse en zonas sensibles donde la radio puede provocar posibles interferencias. Entre las zonas sensibles están:

- Hospitales, centros de salud u otros centros de atención sanitaria que prestan atención al paciente con personal y equipos especializados.
- Zonas peligrosas de clase I, II y III.
- Zonas restringidas.
- Instalaciones militares.
- Aviones y vehículos.
- Zonas en las que está prohibido el uso de teléfonos móviles.



TRANSMISIÓN POR W-DMX

ADVERTENCIA: En general, la transmisión DMX inalámbrica no debe utilizarse en aplicaciones que impliquen factores relacionados con la seguridad que puedan provocar lesiones personales o daños materiales en caso de fallo.

Esto se aplica en particular a las estructuras móviles de escena o trusses, motores/elevadores controlados por DMX o equipos de elevación que accionan por DMX plataformas elevadoras controladas, sistemas hidráulicos o componentes móviles similares.

Además, la transmisión DMX inalámbrica no debe utilizarse para activar dispositivos de llama o pirotécnicos, efectos con explosiones o para controlar efectos de gas o líquidos. Estos incluyen cañones de CO₂, lanzadores de confeti, efectos de agua o similares.



TEMPERATURA AMBIENTE

Respete la temperatura ambiente máxima de funcionamiento especificada en los datos técnicos. Un circuito de protección especial en el faro se encarga de reducir la luminosidad si la temperatura ambiente es demasiado alta para proteger los componentes del aparato. Si observa una pérdida significativa de luminosidad en el faro, compruebe la temperatura ambiente en las proximidades directas del faro y, si es necesario, asegúrese de que la temperatura se sitúa en el valor máximo permitido o por debajo del mismo.



NOTAS PARA LOS EQUIPOS QUE SE INSTALAN EN INTERIORES

1. Los equipos para aplicaciones de instalación están diseñados para un funcionamiento continuo.
2. Los equipos para instalación en interiores no son resistentes a la intemperie.
3. Las superficies y las piezas de plástico de los equipos también pueden deteriorarse, por ejemplo, debido a la radiación UV y a los cambios de temperatura. Por lo general, esto no perjudica el buen funcionamiento del equipo.
4. En el caso de los equipos instalados permanentemente, es posible que se depositen impurezas, como polvo. Asegúrese de respetar las instrucciones de mantenimiento.
5. A menos que se indique lo contrario en las especificaciones técnicas, los equipos se instalarán a una altura inferior a 5 m.

CONTENIDO DEL EMBALAJE

Saque el producto del envase y retire todo el material de embalaje. Compruebe que la entrega está completa e intacta y notifique a su distribuidor inmediatamente después de la compra si la entrega no está completa o está dañada.

En el volumen de suministro del producto CLG4FC se incluyen:

- ▶ 1 x Foco Cameo G4FC, negro
- ▶ Manual de usuario

El volumen de suministro del producto CLG4FCWH incluye:

- ▶ 1 x Foco Cameo G4FCWH, blanco
- ▶ Manual de usuario

INTRODUCCIÓN

Luz de galería LED con un LED RGBL de 40 W

CLG4FC (carcasa negra)

CLG4FCWH (carcasa blanca)

FUNCIONES DE CONTROL

1CH, 2CH 16 bits, 3CH CCT, 3CH Presets, 4CH Direct, 5CH HSI, 8CH Directo + CCT y 12CH 16 Bit Control DMX de acceso total W-DMX™

Función autónoma (se configura a través de Cameo Unicon)

CARACTERÍSTICAS

Compatible con las orugas trifásicas GLOBAL pro (antes NOKIA) XTS, XTTS y XTSC.

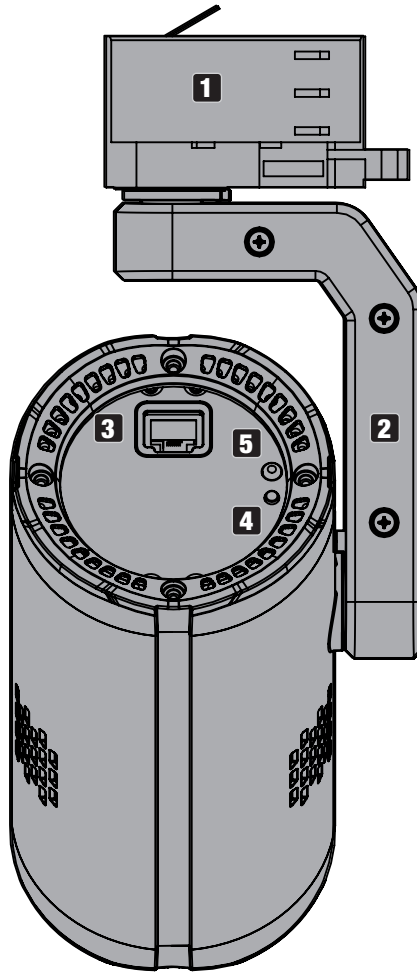
IED RGBL DE 40 W. W-DMX™. DMX512. RJ45-Anschluss. Tensión operativa: 100-240 VCA.

Pantallas difusoras, filtros y rejillas enderezadoras disponibles opcionalmente.

El foco es compatible con el estándar RDM (Remote Device Management). La gestión remota de dispositivos permite consultar el estado los dispositivos RDM conectados y configurarlos mediante un controlador compatible RDM, como el Cameo UNICON (disponible como opción, ref. CLI-REMOTE).

El Cameo UNICON también permite acceder a todo el menú de la luminaria.

CONEXIONES, MANDOS E INDICADORES



1 ADAPTADOR DE RAÍL

Adaptador de raíl para montaje en un raíl trifásico compatible.

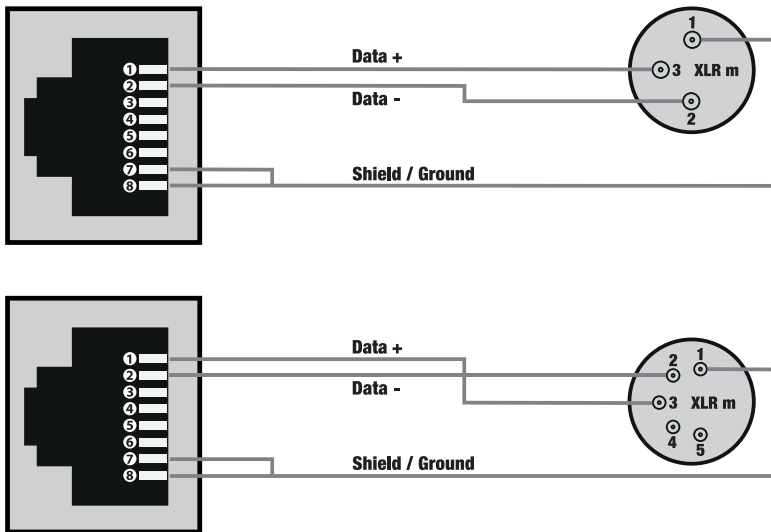
2 BRAZO DE SOPORTE INCLINABLE Y GIRATORIO

Brazo de soporte con dos articulaciones para ajustar la dirección de la viga en el plano horizontal y vertical.

3 RJ45 INTERFACE

Interfaz para configurar y controlar la luminaria mediante el controlador Cameo UNICON DMX/RDM. La luminaria también puede configurarse utilizando otro controlador RDM y controlarse mediante un controlador DMX estándar.

Asignación de pines:



4 W-DMX BOTÓN DE REINICIO

Botón para desconectar las conexiones W-DMX y para emparejar el foco con dispositivos W-DMX. La superficie de la carcasa del equipo puede calentarse mucho durante el funcionamiento regular. Deje siempre que el aparato se enfríe lo suficiente antes de accionar el botón. Active el receptor W-DMX de la luminaria a través de Cameo UNICON y reinicie el receptor pulsando el botón durante unos 3 segundos. Se desconectan todas las conexiones anteriores y el receptor se pone en modo de espera de emparejamiento durante aproximadamente 1 minuto, el LED de estado nº 5 parpadea rápidamente en rojo. El receptor espera ahora una solicitud de emparejamiento del transmisor. Inicie el proceso de emparejamiento en el transmisor; el emparejamiento se produce automáticamente. Del mismo modo, se pueden acoplar varios receptores a un transmisor simultáneamente o uno tras otro. Las conexiones W-DMX se mantienen activas hasta que se desconectan mediante los comandos Reset en el receptor o Unlink en el transmisor, sin importar si se ha desenchufado el equipo de la red eléctrica.

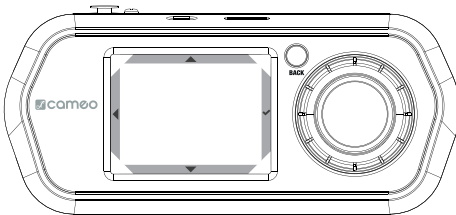
5 LED DE ESTADO

El LED muestra el estado actual del foco cuando se controla por cable y W-DMX.

Control por cable (RJ45, W-DMX desactivado)	
El LED se ilumina permanentemente en azul	La señal DMX está presente
El LED parpadea en azul	sin señal DMX
LED apagado	Funcionamiento autónomo

Control a través de W-DMX™	
El LED parpadea en rojo con aprox.1Hz	Activar W-DMX
El LED parpadea rápidamente en rojo	Emparejamiento con un transmisor cancelado y puesto en disposición de emparejamiento
El LED está permanentemente encendido en verde	Emparejado, señal DMX presente
El LED parpadea en verde	Emparejado, sin señal DMX

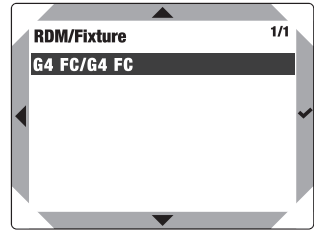
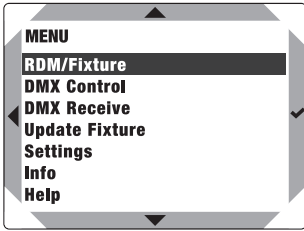
FUNCIONAMIENTO POR UNIDAD CONTROLADOR CAMEO UNICON (disponible opcionalmente)



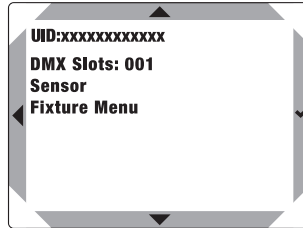
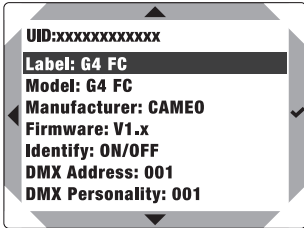
Funciones de los mandos		
Display		Encoder + BACK
▲	Valor al alza	↻
▼	Valor a la baja	↺
◀	Volver	Back
✓	Confirme	Encoder

Después de encender el Unit Controller UNICON (pulse brevemente BACK para encenderlo), aparecerá en la pantalla durante un breve espacio de tiempo "Actualización, por favor espere" (sólo para fines de servicio) y a continuación el menú principal. Conecte la unidad remota al Gallery Light G4 FC mediante el cable de red y conecte el foco a la fuente de alimentación.

Seleccione la opción de menú **RDM/Fixture** y confirme la selección. Ahora el sistema busca dispositivos RDM conectados (Descubrimiento) y si el G4 FC está correctamente conectado y encendido, se encuentra un dispositivo (Descubierto: 1). Tras unos instantes, el G4 FC aparece como la única unidad de una lista (la primera parte de la unidad RDM mostrada muestra el modelo de la unidad, la segunda parte detrás de "/" es la etiqueta y puede ajustarse individualmente en la opción de menú **Label** para facilitar la identificación). Ahora confirme para entrar en el submenú.



Ahora se muestra toda la información y las opciones de configuración del foco que pueden consultarse y editarse a través de RDM.

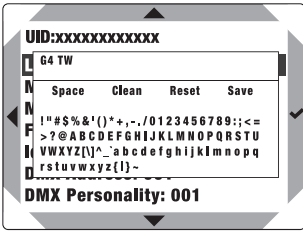


Lista de opciones de información y configuración con explicaciones:

UID:	Número de identificación individual e inalterable del dispositivo RDM seleccionado	
Label:	Marcado ajustable individualmente de la unidad RDM	
Model:	Modelo de dispositivo	
Manufacturer:	Fabricante del dispositivo	
Firmware:	Firmware del dispositivo	
Identify:	ON	El foco seleccionado parpadea con aprox. 1 Hz
	OFF	Intermitente desactivado
DMX Address:	Dirección de inicio DMX actual (se puede editar en la opción de menú)	
DMX Personality:	Modo DMX actual (se puede editar en la opción de menú)	
DMX Slots:	Número de canales en el modo DMX actual	
Sensor:	LED de temperatura (pulse <input checked="" type="checkbox"/> para visualizarlo)	
Fixture Menu	Menú individual del dispositivo Cameo para editar los ajustes (véase MENÚ DEL DISPOSITIVO (Fixture Menu))	

ETIQUETA

En el menú RDM/dispositivo, seleccione **Label** y confirme la selección para dar un nombre individual al dispositivo RDM.



Seleccione los caracteres:	▲ o ▼ o gire el codificador
Borrar todos los caracteres:	Reset
Fije el espacio:	Space
Posición de reinicio:	Clean
Etiquetado seguro:	Save
Confirme el comando o el carácter y seleccione el siguiente dígito:	Pulse ✓ o codificador

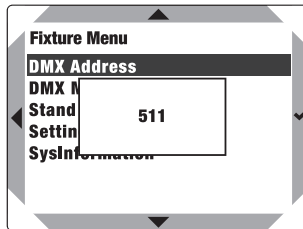
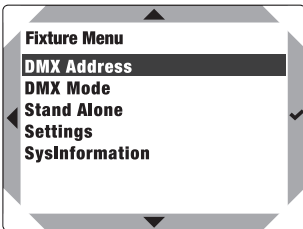
MENÚ DISPOSITIVO (Fixture Menu):

En el menú RDM/Fijación, seleccione **Fixture Menu** y confirme la selección.



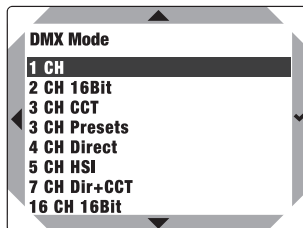
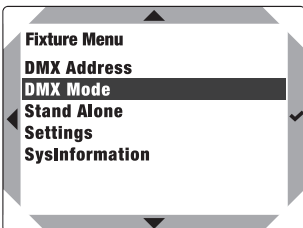
CONFIGURAR DIRECCIÓN DE INICIO DMX

Seleccione **DMX Address**, confirme la selección, ajuste la dirección DMX deseada y confirme la entrada. (el valor más alto depende del modo de funcionamiento DMX activado en ese momento)



SELECCIONAR MODO DMX

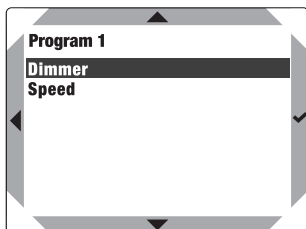
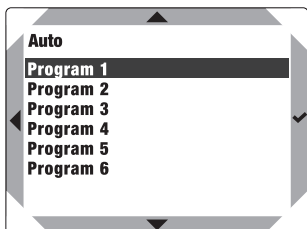
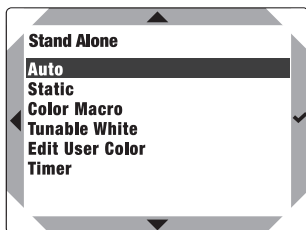
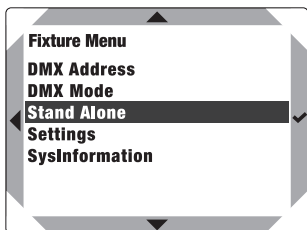
Seleccione el **DMX Mode**, confirme la selección y, a continuación, seleccione el modo DMX deseado y confirme la selección.



MODO AUTÓNOMO AUTOMÁTICO

Cada uno de los 6 programas automáticos disponibles comprende secuencias de cambio de color no editables. El brillo (Dimmer) y la velocidad de funcionamiento (Speed) se pueden ajustar por separado en cada programa.

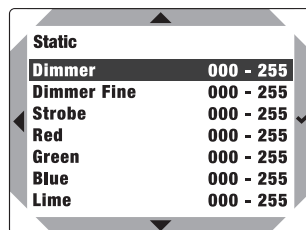
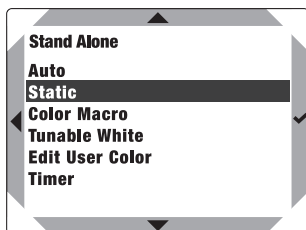
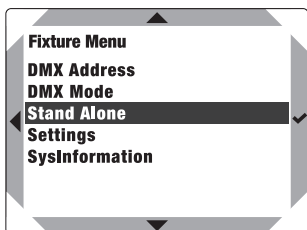
Seleccione **Stand Alone**, confirme la selección, luego seleccione **Auto** y confirme de nuevo. Seleccione ahora el programa deseado (Programa 1 - Programa 6) y confirme de nuevo. Seleccione ahora **Dimmer** o **Speed**, confirme y ajuste el valor de luminosidad o velocidad de 001 a 100 según desee. Confirme todas las entradas.



MODO AUTÓNOMO ESTÁTICO

El modo estático autónomo permite ajustar los valores de atenuación, atenuación fina, luz estroboscópica y RGBAL directamente en el aparato con valores entre 000 y 255, de forma similar a como se hace con un controlador DMX. De este modo, se puede crear una escena individual sin necesidad de un controlador DMX adicional.

Seleccione **Stand Alone**, confirme la selección y, a continuación, seleccione **Static** y confirme de nuevo. Seleccione ahora la opción de menú que desea editar y confirme la selección. En la opción de menú seleccionada, ajuste el valor deseado de 000 a 255 y confirme la entrada. Los valores para el efecto estroboscópico corresponden a los valores del canal 2 de la tabla DMX 3 CH preajustados.

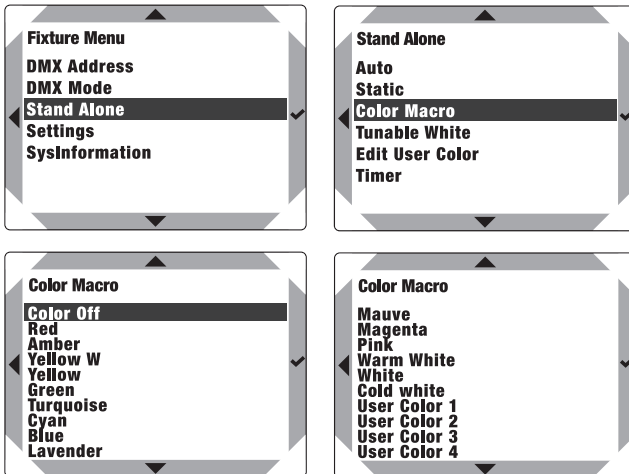


MODO AUTÓNOMO MACRO COLOR

hay 15 macros de color diferentes y 4 colores individuales (Color de usuario 1-4) disponibles como preajustes. El brillo puede ajustarse para cada preajuste.

Seleccione **Stand Alone**, confirme la selección y, a continuación, seleccione **Color Macro** y confirme de nuevo. Seleccione el preajuste de color deseado y confirme (Color apagado = apagado). El brillo de la preselección seleccionada puede ajustarse ahora de 000 a 100. Confirme todas las entradas.

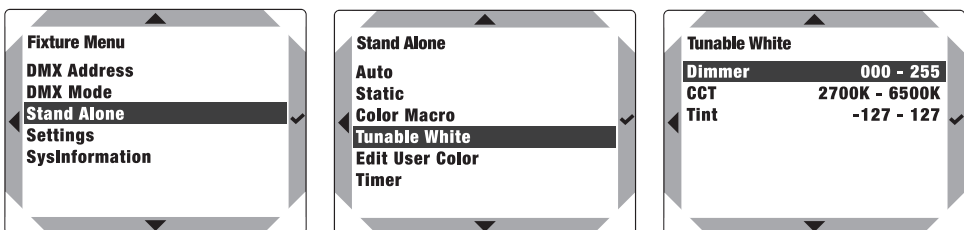
Los colores individuales Color de usuario 1-4 se crean en la opción de menú **Edit User Color** del menú **Astand Alone**.



MODO AUTÓNOMO BLANCO SINTONIZABLE

En el modo autónomo Blanco sintonizable, la temperatura del color (CCT) puede ajustarse de 1800 K a 6500 K en incrementos de 100 K, además del brillo (Atenuador) y el color (Matiz).

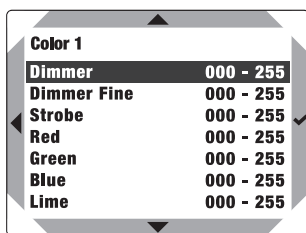
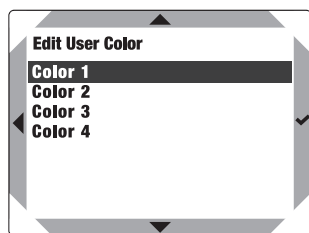
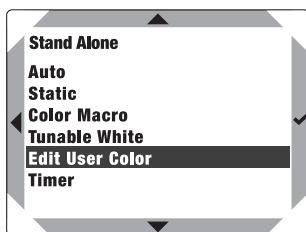
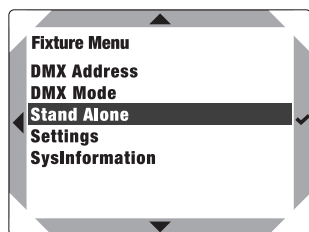
Seleccione **Stand Alone**, confirme la selección y, a continuación, seleccione **Tunable White** y confirme de nuevo. Seleccione ahora la opción de menú que desea editar y confirme la selección. Ajuste el valor deseado y confirme la entrada.



CATEGORÍA INDEPENDIENTE EDITAR COLOR USUARIO

En la categoría independiente Editar color del usuario, tiene la opción de guardar la luminosidad (Atenuador y Atenuador fino), el estroboscopio (Estroboscopio) y una mezcla de colores R, G, B y L directamente en la unidad en cuatro preajustes de color individuales.

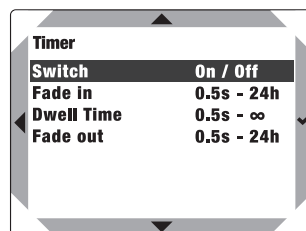
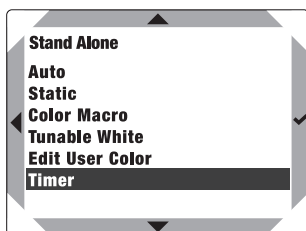
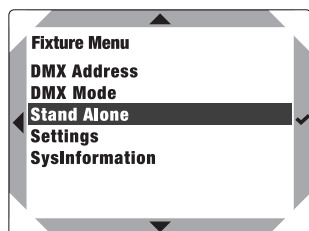
Seleccione **Stand Alone**, confirme la selección y, a continuación, seleccione **Edit User Color** y confirme de nuevo. Seleccione el preajuste deseado (Color 1 - Color 4) y confirme la selección. Seleccione ahora la opción de menú que desea editar y confirme. Ajuste el valor deseado de 000 a 255 y confirme de nuevo. Los valores para el efecto estroboscópico corresponden a los valores del canal 2 de la tabla DMX 3 CH preajustados.



FUNCIÓN TEMPORIZADOR

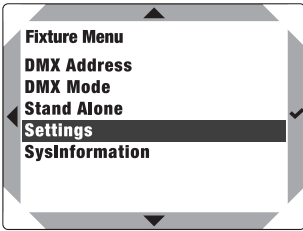
La función de temporizador permite temporizar los modos autónomos Estático, Macro de color y Blanco sintonizable, de forma que el tiempo de Fundido de entrada puede configurarse de 0,5 segundos a 24 horas, el Tiempo de permanencia de 0,5 segundos a 24 horas e infinito (Limitless) y el tiempo de Fundido de salida de 0,5 segundos a 24 horas. Tras la activación de la función de temporizador, el control del temporizador se implementará en el siguiente arranque del sistema.

Seleccione **Stand Alone**, confirme la selección y, a continuación, seleccione **Timer** y confirme de nuevo. En **Switch**, seleccione el ajuste **On** y confirme. Para los ajustes individuales de control del temporizador, seleccione **Fade In**, **Dwell Time** o **Fade Out** y confirme. Ahora puede ajustar el valor respectivo como desee. Confirme todas las entradas. Para desactivar la función de temporizador, en el punto **Switch**, seleccione el ajuste **Off** y confirme.



AJUSTES DEL SISTEMA (Settings)

Seleccione **Settings** y confirme.



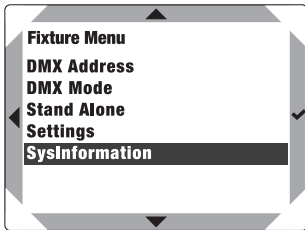
Accederá al submenú para configurar los elementos del submenú (véase la tabla):

Settings				
DMX Fail	=	Estado de funcionamiento con fallo de la señal DMX	Hold	Se conserva el último comando
			User Color 1	Activa el color de usuario 1
			Fade out 10s	10 segundos de fundido a negro
			Blackout	Activa el oscurecimiento
Dimmer Curve	=	Curva de atenuación	Full On	Todos los LED al 100% de potencia
			Linear	La intensidad de la luz aumenta de forma lineal con el valor DMX
			Exponential	Ajustar la intensidad luminosa con precisión en los valores DMX bajos y de forma más brusca en los valores DMX altos
			Logarithmic	Ajustar la intensidad luminosa de forma más brusca en los valores DMX bajos y con precisión en los valores DMX altos
Dimmer Response	=	Respuesta del atenuador	S-Curve	Ajustar la intensidad luminosa con precisión en los valores DMX altos y bajos, y de forma más amplia en los valores DMX intermedios
			LED	La luz responde de forma instantánea a los cambios en el valor DMX
			Halogen	La luz se comporta como un foco halógeno con cambios suaves de luminosidad

Red Shift	=	Imita con precisión la deriva cromática de la atenuación de un foco halógeno.	Off	La deriva cromática está desactivada
		Spotlight, la temperatura del color cambia automáticamente de forma progresiva a blanco cálido y ámbar (y viceversa).	On	La deriva cromática está activada
PWM Frequency	=	Configuración de la frecuencia PWM	800 Hz / 1200 Hz / 2000 Hz / 3600 Hz / 12 kHz / 25 kHz	
Calibration	=	Calibrado del color	Red	Calibrado individual del color. Ajuste cruzado del brillo de R, G, B, A y L con valores de 000 - 255.
			Green	
			Blue	
			Lime	
W-DMX	=	Activar y desactivar el control inalámbrico	Off	Control inalámbrico desactivado
			On	Control inalámbrico activado
Status LED	=	LED de estado ajustado	Always On	LED permanentemente encendido
			Off	LED apagado
			Off after 30s	El LED se apaga después de 30 segundos
Power	=	Modo operativo	Constant	Luminosidad constante durante largos periodos
			Maximum	Luminosidad máxima
Factory Reset	=	Restablecer los ajustes de fábrica	Reset?	Restablecimiento de los ajustes de fábrica: Realice el restablecimiento con ENTER, cancele con MENU
Factory Reset WC	=	Restablecer los ajustes de fábrica excepto los colores de usuario	WC Reset?	Restablecimiento de los ajustes de fábrica aparte de los colores de usuario: Realice el restablecimiento con ENTER, cancele con MENU

INFORMACIÓN DEL SISTEMA (SysInformation)

Partiendo de la pantalla principal, pulse el codificador para acceder al menú principal . Seleccione la opción de menú **SysInformation** y confirme la selección.



Accederá al submenú de acceso a la información del sistema (véase la tabla):

SysInformation			
Firmware	=	Muestra el firmware del dispositivo	Main CPU V1.xx
Temperatura	=	Muestra la temperatura de la unidad LED	LED TEMP
			Temperature Unit
Operation Hours	=	Muestra el tiempo de funcionamiento	xx:xx h

xx °C / xx °F

Celsius (= visualización en grados Celsius)

Fahrenheit (= visualización en grados Fahrenheit)

Visualización del tiempo de funcionamiento de la unidad en horas y minutos

MONTAJE



PELIGRO: El montaje en suspensión requiere mucha experiencia, lo que incluye el cálculo del valor máximo de carga del material utilizado en la instalación, así como la inspección periódica de seguridad de todos los elementos y focos de la instalación. Si no tiene estos conocimientos, no intente realizar la instalación usted mismo y, en cambio, diríjase a un profesional cualificado. Existe el riesgo de que los equipos mal montados y asegurados se suelten y caigan. Esto puede causar lesiones graves o incluso la muerte.



PELIGRO: ¡Utilice el foco únicamente para raíles montados horizontalmente (montaje horizontal en el techo)! El foco no es apto para raíles inclinados ni para montaje en pared



ADVERTENCIA: ¡Antes de montar o desmontar, asegúrese de que no hay tensión eléctrica en el carril trifásico (desconecte los fusibles)!

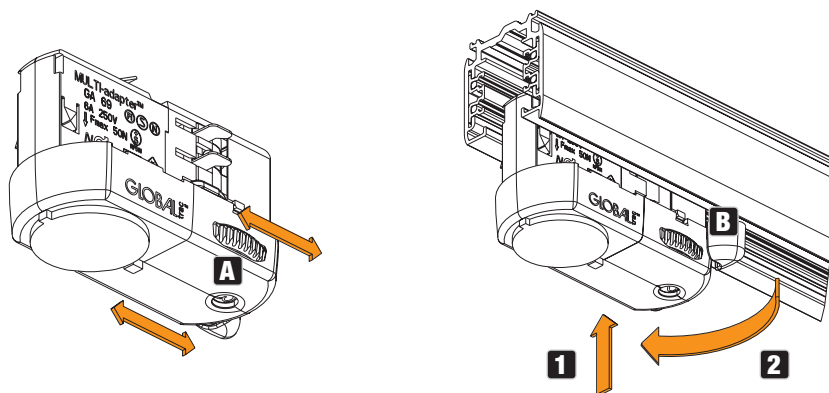


ATENCIÓN: ¡El foco no es apto para su uso con reguladores de intensidad externos!

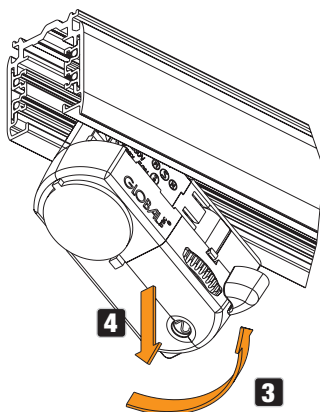
Utilice la rueda moleteada A para ajustar la fase 1, 2 ó 3 (véase la ventana situada debajo de la rueda moleteada; 0 = desactivado). El ajuste puede realizarse antes o después del montaje en un raíl.

Para montarlo en un raíl, abra la palanca de bloqueo B del adaptador de raíl (palanca en posición abierta en la ilustración) y, a continuación, presione el adaptador en el raíl hasta que quede plano sobre los bordes del mismo (fig. 1).

Asegure la conexión cerrando de nuevo la palanca de bloqueo (fig. 2).



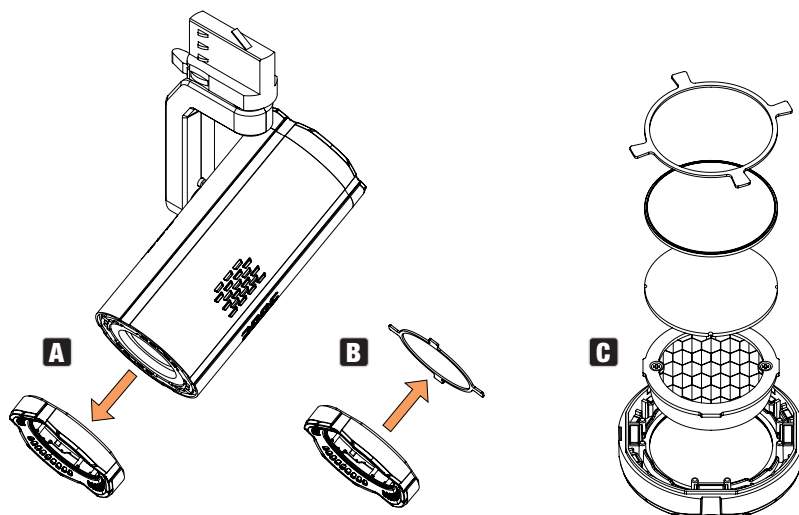
Para desmontar el faro, abra la palanca de bloqueo (fig. 3) y tire del faro hacia abajo para sacarlo del raíl (fig. 4).



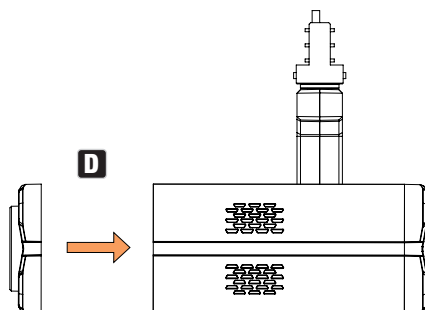
MONTAJE DE LA REJILLA DIRECCIONAL, EL DIFUSOR Y EL FILTRO

Se pueden montar hasta tres accesorios opcionales combinados delante de la lente de salida del faro (véase ACCESORIOS OPCIONALES).

Retire del faro el anillo terminal sujeto por fuertes imanes (fig. A) y, a continuación, retire del anillo terminal el anillo de retención, también sujeto por imanes (fig. B). Coloque ahora los accesorios deseados (en el ejemplo C, primero la rejilla enderezadora, luego un disco difusor y después un filtro CTO) en el anillo terminal y, a continuación, coloque el anillo de retención sobre los accesorios en el anillo terminal. En cuál de las tres posiciones posibles se coloca el anillo de retención depende de la altura total de los accesorios insertados.



Coloque ahora el anillo final, incluidos los accesorios, en el faro como se muestra en la figura D.



ACCESORIOS OPCIONALES

Filtro

CLG4CTB (Filtro CTB)
CLG4CTO (filtro CTO)

Difusores

CLG46010LENTE (60° x 10°)
CLG410LENS (10°)
CLG420LENS (20°)
CLG430LENS (30°)
CLG460LENS (60°)

Rejillas de enderezado

CLG4HC (Panal, negro)
CLG4HCWH (Panal, blanco)

CUIDADO, MANTENIMIENTO Y REPARACIÓN

Para garantizar el buen funcionamiento del equipo a largo plazo, hay que limpiarlo con regularidad y, si es necesario, hacerle las revisiones necesarias. Los requisitos de mantenimiento dependen de la intensidad de uso y del entorno en el que se utilice.

Por lo general, recomendamos una inspección visual antes de cada puesta en marcha. Además, recomendamos llevar a cabo todas las medidas de mantenimiento aplicables que se especifican a continuación una vez cada 500 horas de funcionamiento o, en caso de uso menos intensivo, al cabo de un año como máximo. Las reclamaciones de garantía pueden estar limitadas en caso de defectos debidos a un mantenimiento inadecuado.

LIMPIEZA (llevada a cabo por el usuario)



¡ADVERTENCIA! Antes de realizar cualquier trabajo de limpieza y mantenimiento, debe desenchufarse del suministro eléctrico y, si es posible, quitar todas las conexiones del equipo.



NOTA: Un cuidado inadecuado puede deteriorar el equipo o incluso destruirlo.

1. Las superficies de la carcasa deben limpiarse con un paño limpio y húmedo. Asegúrese de que la humedad no pueda penetrar en el dispositivo.
2. Las entradas y salidas de aire deben limpiarse regularmente para eliminar el polvo y la suciedad. Si se utiliza aire comprimido, hay que tener cuidado para evitar que se dañe el equipo (por ejemplo, los ventiladores deben estar tapados).
3. Los cables y los contactos de los enchufes deben limpiarse regularmente para eliminar el polvo y la suciedad.
4. En general, no deben utilizarse productos de limpieza ni agentes abrasivos, ya que de lo contrario podría dañarse el acabado de la superficie.
5. Por lo general, los equipos deben guardarse en un lugar seco y protegido del polvo y la suciedad.

MANTENIMIENTO Y REPARACIÓN (solo por personal cualificado)



¡PELIGRO! Dentro del equipo hay componentes con tensión. Incluso después de desenchufar el equipo del suministro eléctrico, puede haber tensiones residuales dentro del equipo, por ejemplo, en los condensadores.



NOTA: No hay componentes en el equipo que puedan ser reparadas por parte del usuario.

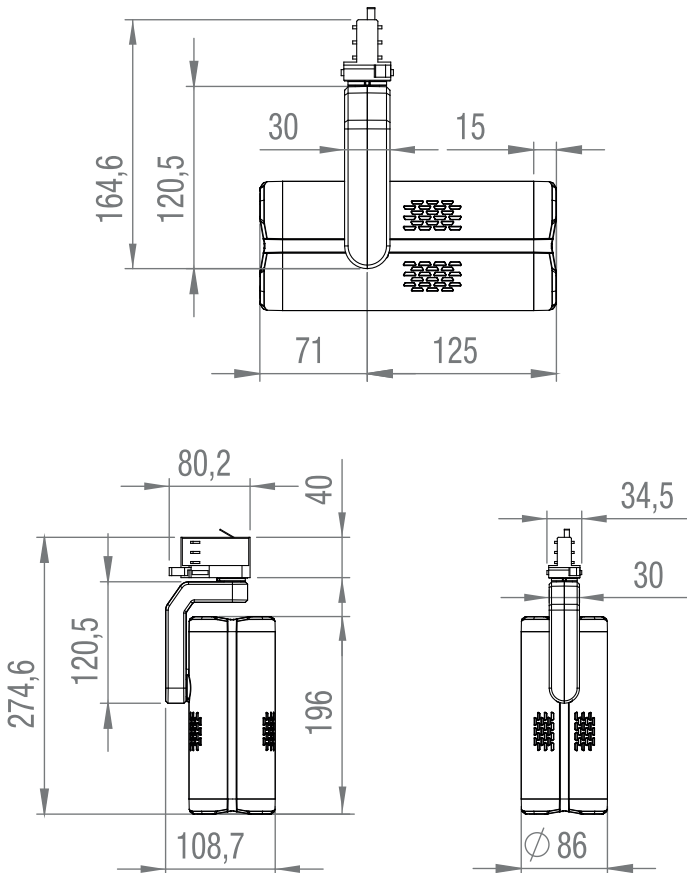


NOTA: Los trabajos de mantenimiento y reparación sólo pueden ser realizados por personal especializado cualificado y autorizado por el fabricante. En caso de duda, consulte al fabricante.



NOTA: Los trabajos de mantenimiento realizados de forma incorrecta pueden comprometer el derecho a la garantía.

DIMENSIONES (mm)

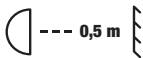


DATOS TÉCNICOS

Referencia: CLG4FC(WH)	
Tipo de producto:	Foco LED
Tipo:	Foco de instalación
Espectro de colores:	RGBL
Número de LED:	1
Tipo de LED:	Chip 4en1
Salida de LED:	40 W
Frecuencia de modulación de pulso de LED:	800 Hz, 1200 Hz, 2000 Hz, 3600 Hz, 12 kHz, 25 kHz (ajustable)
Medio ángulo de tamo:	5
Décimo ángulo de dispersión:	10
Entrada DMX:	1x RJ45
Salida DMX:	----
Funciones DMX:	Atenuador, Atenuador fino, Estroboscópico, Rojo, Verde, Azul, Lima, Tono, Saturación, Temperatura de color, Tinte, Preajustes de color, Mezcla de colores, Grabar colores del usuario, Ajustes del dispositivo
Control:	DMX512, W-DMX™, RDM
Funciones en modo Autónomo:	Estático
Controles de funcionamiento:	Botón W-DMX + Mando a distancia externo
Tensión eléctrica:	100-240 VCA, 50/60 Hz
Consumo:	40 W
Corriente de inicio:	45A / 0,3ms (primera media onda)
Flujo luminoso:	FULL ON: 410lm
Índice de reproducción cromática Ra:	>77 @6500K
Raíles compatibles:	Pistas trifásicas GLOBAL pro (antes NOKIA) XTS, XTTS y XTSC
Conexión de la alimentación eléctrica:	Adaptador de carril (fase seleccionable)
Temperatura ambiente (en funcionamiento):	0°C - 40°C
Humedad relativa:	< 80 %, sin condensación
Color de la carcasa:	Negro (CLG4FC) Blanco (CLG4FCWH)
Material de la carcasa:	Metal
Refrigeración de la carcasa:	Refrigeración por convección
Distancia mínima a la superficie iluminada:	0,5 m
Distancia mínima a materiales normalmente inflamables:	0,5 m

Dimensiones (Ø x L, sin brazo de soporte):	86 x 196 mm
Peso:	1,3 kg
RDP (Material Group A):	0,25 @ 2700K; 0,44 @ 6500K
RDP (Material Group B):	0,58 @ 2700K; 0,60 @ 6500K
Accesorios (opcionales):	Lentes intercambiables (10°, 20°, 30°, 60°, 60°x10°) Panal, filtro CTO, filtro CTB

DISTANCIA MÍNIMA A LA SUPERFICIE ILUMINADA



Este símbolo con la especificación de la distancia en metros (m) indica la distancia mínima entre el cabezal de iluminación y la superficie iluminada. En este ejemplo, la distancia es de 0,5 m. Consulte las características técnicas en este manual y la serigrafía de la carcasa del equipo para conocer el valor válido de este equipo.

DISTANCIA MÍNIMA A MATERIALES NORMALMENTE INFLAMABLES



Este símbolo con especificación de distancia en metros (m) indica la distancia mínima entre el cabezal de iluminación y los materiales normalmente inflamables. En este ejemplo, la distancia es de 0,5 m. Consulte las características técnicas en este manual para conocer el valor válido de este equipo.

RECICLAJE



EMBALAJE:

1. El embalaje puede reciclarse a través de los métodos habituales de eliminación de residuos.
2. Por favor, separe el embalaje de acuerdo con las normas de eliminación de residuos y las normas de reciclaje de su país.



APARATO:

1. Este aparato está sujeto a la Directiva Europea aplicable a los residuos de aparatos eléctricos y electrónicos, en su versión modificada. (Directiva RAEE sobre residuos de aparatos eléctricos y electrónicos). Los aparatos viejos no deben depositarse en la basura doméstica. El aparato viejo debe desecharse a través de una empresa de eliminación de residuos autorizada o de una instalación municipal de eliminación de residuos. Respete la normativa vigente en su país.
2. Respete todas las leyes y normativas de eliminación aplicables en su país.
3. Como cliente particular, puede obtener información sobre las opciones de eliminación respetuosas con el medioambiente en el establecimiento donde adquirió el producto o de las autoridades regionales competentes.

DECLARACIÓN DEL FABRICANTE

Garantía del fabricante y limitación de responsabilidad

Adam Hall GmbH, Adam-Hall-Str. 1, D-61267 Neu Anspach /

Correo electrónico: Info@adamhall.com / +49 (0)6081 / 9419 0

Puede consultar nuestras condiciones de garantía y la limitación de responsabilidad vigentes en:

https://cdn-shop.adamhall.com/media/pdf/Manufacturers-Declarations-CAMEO_DE_EN_ES_FR.pdf

Para cualquier tarea de mantenimiento o reparación, póngase en contacto con su distribuidor.

Conformidad CE

Por la presente, Adam Hall Ltd. declara que este producto cumple las siguientes directrices (si procede):

Directiva de baja tensión (2014/35/UE)

Directiva EMC (2014/30/UE)

RoHS (2011/65/UE)

RED (2014/53/UE)

Declaración de conformidad CE

Las declaraciones de conformidad de los productos sujetos a las directivas LVD, EMC y RoHS pueden solicitarse a info@adamhall.com

Las declaraciones de conformidad de los productos sujetos a la RED pueden descargarse de www.adamhall.com/compliance/

Sujeto a erratas y errores, así como a modificaciones técnicas o de otro tipo.

Dokonali Państwo dobrego wyboru!

To urządzenie zostało opracowane i wyprodukowane zgodnie z najwyższymi standardami jakości, aby zapewnić wiele lat bezproblemowej pracy. Proszę uważnie przeczytać niniejszą instrukcję obsługi, aby móc szybko i optymalnie korzystać z nowego produktu Cameo. Więcej informacji o Cameo Light znajdą Państwo na naszej stronie internetowej **CAMEOLIGHT.COM**.

INFORMACJE NA TEMAT NINIEJSZEJ INSTRUKCJI OBSŁUGI

- Przed przystąpieniem do obsługi urządzenia należy uważnie przeczytać wskazówki bezpieczeństwa i całą instrukcję obsługi.
- Przestrzegać ostrzeżeń umieszczonych na urządzeniu i w instrukcji obsługi.
- Instrukcję obsługi należy zawsze trzymać w zasięgu ręki.
- Jeżeli sprzedają Państwo lub przekazują urządzenie, ważne jest, aby dołączyli Państwo również niniejszą instrukcję obsługi, ponieważ stanowi ona integralną część produktu.

ZAMIERZONE ZASTOSOWANIE

Ten produkt jest reflektorem do stałego montażu!

Ten reflektor jest przeznaczony wyłącznie dla użytkowników profesjonalnych i nie nadaje się do użytku w gospodarstwach domowych lub przez osoby trzecie!

Użytkowanie produktu poza określonymi danymi technicznymi i warunkami eksploatacji, jak również nieprawidłowa instalacja, są uważane za niewłaściwe!

Wyklucza się odpowiedzialność za szkody osobowe i rzeczowe osób trzecich spowodowane niewłaściwym użytkowaniem!

Produkt nie jest odpowiedni dla:

- Stosowania przez osoby (w tym dzieci) o ograniczonych możliwościach fizycznych, sensorycznych lub umysłowych lub z brakiem doświadczenia i wiedzy.
- Dzieci (dzieci należy pouczyć, aby nie bawiły się urządzeniem).

DEFINICJE I OBJAŚNIENIA SYMBOLI

1. **NIEBEZPIECZEŃSTWO:** Słowo NIEBEZPIECZEŃSTWO, ewentualnie w połączeniu z symbolem, wskazuje na sytuacje lub warunki bezpośrednio zagrażające życiu i zdrowiu.
2. **OSTRZEŻENIE:** Słowo OSTRZEŻENIE, ewentualnie w połączeniu z symbolem, wskazuje na sytuacje lub warunki potencjalnie niebezpieczne dla życia i zdrowia.
3. **PRZESTROGA:** Słowo PRZESTROGA, ewentualnie w połączeniu z symbolem, jest używane do wskazania sytuacji lub warunków, które mogą prowadzić do obrażeń.
4. **UWAGA:** Słowo UWAGA, ewentualnie w połączeniu z symbolem, odnosi się do sytuacji lub stanów, które mogą prowadzić do szkód materialnych i/lub środowiskowych.



Ten symbol wskazuje na zagrożenia, które mogą spowodować porażenie prądem.



Ten symbol identyfikuje obszary niebezpieczne lub niebezpieczne sytuacje.



Ten symbol wskazuje na niebezpieczeństwo związane z gorącymi powierzchniami.



Ten symbol wskazuje na zagrożenia spowodowane przez intensywne źródła światła.



Ten symbol oznacza urządzenie, w którym nie ma części wymienianych przez użytkownika.



Ten symbol oznacza dodatkowe informacje na temat działania produktu.



Ten symbol oznacza urządzenie, które może być używane tylko w suchych pomieszczeniach.

INSTRUKCJE BEZPIECZEŃSTWA



ZAGROŻENIE:

1. Nie należy otwierać ani modyfikować urządzenia.
2. Jeżeli urządzenie przestanie działać prawidłowo, jeżeli do jego wnętrza dostaną się płyny lub przedmioty, lub jeżeli zostanie uszkodzone w jakikolwiek inny sposób, należy je natychmiast wyłączyć i odłączyć od sieci. Urządzenie może być naprawiane tylko przez autoryzowane serwisy.
3. W przypadku urządzeń klasy ochrony 1, przewód ochronny musi być prawidłowo podłączony. Nigdy nie odłączać przewodu ochronnego. Urządzenia klasy ochrony 2 nie posiadają przewodu ochronnego.
4. Upewnić się, że przewody pod napięciem nie są zagięte lub w inny sposób uszkodzone mechanicznie.
5. Nigdy nie należy omijać bezpiecznika urządzenia.



OSTRZEŻENIE!

1. Urządzenie nie może być użytkowane, jeżeli wykazuje oczywiste oznaki uszkodzenia.
2. Urządzenie może być instalowane tylko w stanie beznapięciowym.
3. Jeżeli kabel sieciowy urządzenia jest uszkodzony, nie należy używać urządzenia.
4. Kable zasilające podłączone na stałe mogą być wymieniane tylko przez wykwalifikowany personel.



UWAGA:

1. Nie używać urządzenia, jeżeli było narażone na duże wahania temperatury (np. po transporcie). Wilgoć i kondensacja mogą uszkodzić urządzenie. Urządzenie należy włączać dopiero wtedy, gdy osiągnie temperaturę pokojową.
2. Upewnić się, że napięcie i częstotliwość sieci zasilającej odpowiadają wartościom podanym na urządzeniu. Jeżeli urządzenie posiada przełącznik wyboru napięcia, nie należy podłączać urządzenia, dopóki nie zostanie on prawidłowo ustawiony. Stosować tylko odpowiednie kable zasilające.
3. Aby odłączyć urządzenie od sieci na wszystkich biegunach, nie wystarczy nacisnąć włącznik/wyłącznik na urządzeniu.
4. Upewnić się, że zastosowany bezpiecznik odpowiada typowi podanemu na urządzeniu.
5. Upewnić się, że podjęto odpowiednie środki przeciwko przepięciu (np. uderzeniu pioruna).
6. W urządzeniach z przyłączem Power Out należy przestrzegać wartości podanego maksymalnego prądu wyjściowego. Należy upewnić się, że całkowity pobór prądu wszystkich podłączonych urządzeń nie przekracza podanej wartości.
7. Podłączane kable sieciowe należy wymieniać tylko na oryginalne.



ZAGROŻENIE:

1. Niebezpieczeństwo uduszenia! Torebki plastikowe i małe części należy przechowywać w miejscu niedostępnym dla osób (w tym dzieci) o ograniczonej sprawności fizycznej, sensorycznej lub umysłowej.
2. Niebezpieczeństwo upadku! Należy upewnić się, że urządzenie jest bezpiecznie zamontowane i nie spadnie. Należy używać tylko odpowiednich stojaków lub uchwytów (szczególnie w przypadku instalacji stałych). Upewnić się, że akcesoria są prawidłowo zainstalowane i zabezpieczone. Zapewnić przestrzegania obowiązujących przepisów bezpieczeństwa.



OSTRZEŻENIE!

1. Urządzenie należy używać tylko zgodnie z przeznaczeniem.
2. Urządzenie należy eksploatować wyłącznie z akcesoriami zalecanymi i przewidzianymi przez producenta.
3. Podczas instalacji należy przestrzegać przepisów bezpieczeństwa obowiązujących w Państwie kraju.
4. Po podłączeniu urządzenia należy sprawdzić wszystkie trasy kabli, aby uniknąć uszkodzeń lub wypadków, np. z powodu niebezpieczeństwa potknięcia.
5. Należy zawsze przestrzegać podanej minimalnej odległości od normalnie palnych materiałów! Jeśli nie jest to wyraźnie określone, minimalna odległość wynosi 0,3 m.
6. Należy zawsze przestrzegać minimalnej odległości od oświetlanej powierzchni, którą można odczytać na urządzeniu!



PRZESTROGA!

1. W przypadku ruchomych elementów, takich jak uchwyty montażowe lub inne ruchome elementy, istnieje możliwość zakleszczenia.
2. W przypadku urządzeń z elementami napędzanymi silnikiem, istnieje ryzyko obrażeń spowodowanych ruchem urządzenia. Nagły ruch urządzenia może wywołać reakcje szokowe.
3. Powierzchnia obudowy urządzenia może się bardzo nagrzewać podczas regularnej pracy. Upewnij się, że przypadkowe dotknięcie obudowy nie jest możliwe. Przed demontażem, pracami konserwacyjnymi, ładowaniem itp. należy zawsze odczekać, aż lampa wystarczająco ostygnie.



UWAGA:

1. Nie należy instalować ani obsługiwać urządzenia w pobliżu grzejników, rejestrów ciepła, pieców lub innych źródeł ciepła. Należy zadbać o to, aby urządzenie było zawsze zainstalowane w taki sposób, aby było wystarczająco chłodzone i nie mogło się przegrzać.
2. Nie umieszczać w pobliżu urządzenia źródeł zapłonu, takich jak płonące świece.
3. Nie wolno zakrywać otworów wentylacyjnych i blokować wentylatorów.
4. Do transportu należy używać oryginalnego opakowania lub opakowania dostarczonego przez producenta.
5. Unikać wstrząsów i uderzeń w urządzenie.
6. Należy przestrzegać stopnia ochrony IP, jak również warunków otoczenia, takich jak temperatura i wilgotność, zgodnie ze specyfikacją.
7. Urządzenia mogą być stale rozwijane. W przypadku rozbieżnych informacji dotyczących warunków pracy, wydajności lub innych właściwości urządzenia pomiędzy instrukcją obsługi a etykietą urządzenia, pierwszeństwo mają zawsze informacje na urządzeniu.
8. Urządzenie nie nadaje się do pracy w klimacie tropikalnym oraz do pracy na wysokości powyżej 2000 m n.p.m.
9. O ile nie jest to wyraźnie określone, urządzenie nie nadaje się do pracy w warunkach morskich.



W przypadku zestawów do przebudowy lub modernizacji, lub akcesoriów dostarczonych przez producenta, należy bezwzględnie przestrzegać dołączonych instrukcji.



PRZESTROGA! WAŻNE INFORMACJE DOTYCZĄCE PRODUKTÓW OŚWIETLENIO- WYCH!



1. Nigdy nie patrzeć bezpośrednio w wiązkę światła, nawet przez krótki czas.
2. Nigdy nie należy patrzeć w wiązkę światła za pomocą urządzeń optycznych, takich jak lupa.
3. Efekty stroboskopowe mogą powodować u osób wrażliwych napady padaczkowe!



4. W tych jednostkach oświetleniowych są wbudowane na stałe lampy. Nie mogą być one wymieniane przez użytkownika. Lampy zawarte w tej jednostce oświetleniowej mogą być wymieniane wyłącznie przez producenta, jego partnera serwisowego lub osobę o podobnych kwalifikacjach.



TRANSMISJA SYGNAŁU PRZEZ RADIO (np. W-DMX lub systemy radiowe audio):

Jakość i wydajność transmisji sygnałów bezprzewodowych zależy na ogół od warunków otoczenia. Następujące czynniki mogą wpływać na zasięg i stabilność sygnału:

Ekranowanie (np. mur, konstrukcje metalowe, woda)

Duże natężenie ruchu radiowego (np. silne bezprzewodowe sieci LAN)

Zakłócenia

Promieniowanie elektromagnetyczne (np. ekrany wideo LED, ściemniacze)

Wszystkie dane dotyczące zasięgu odnoszą się do zastosowania w polu swobodnym z kontaktem wzrokowym i bez zakłóceń!

Eksploatacja systemów przesyłowych podlega przepisom urzędowym. Mogą się one różnić w zależności od regionu i muszą być sprawdzone przez operatora przed użyciem (np. częstotliwość radiowa i moc nadawania).



OSTRZEŻENIE: Urządzenia z bezprzewodową transmisją sygnału nie nadają się do stosowania w obszarach wrażliwych, w których działanie radia może prowadzić do potencjalnych szkodliwych skutków. Należą do nich:

- Szpitale, ośrodki zdrowia lub inne placówki opieki zdrowotnej, które zapewniają leczenie pacjentów przy pomocy wykwalifikowanego personelu i sprzętu.
- Obszary niebezpieczne Klasa I, II i III
- Obszary ograniczonego użytkowania
- Obiekty wojskowe
- Samoloty lub pojazdy
- Obszary, w których zabronione jest używanie telefonów komórkowych



TRANSMISJA PRZEZ W-DMX

OSTRZEŻENIE: Ogólnie rzecz biorąc, bezprzewodowa transmisja DMX nie może być wykorzystywana do zastosowań związanych z czynnikami bezpieczeństwa, które w przypadku awarii mogłyby spowodować obrażenia ciała lub szkody materialne.

Dotyczy to w szczególności ruchomych konstrukcji scenicznych lub trawersowych, silników/podnośników sterowanych przez DMX lub urządzeń podnoszących do obsługi podnośników platformowych sterowanych przez DMX, systemów hydraulicznych lub porównywalnych elementów ruchomych.



Ponadto bezprzewodowa transmisja DMX nie może być wykorzystywana do wyzwalania płomieni lub urządzeń pirotechnicznych, efektów wywołanych eksplozją lub do sterowania efektami gazowymi lub płynnymi. Należą do nich armatki CO₂, strzelające konfetti, efekty wodne lub podobne.



TEMPERATURA ZEWNĘTRZNA

Należy przestrzegać maksymalnej temperatury otoczenia podczas pracy podanej w danych technicznych. Specjalny obwód ochronny w reflektorze zapewnia zmniejszenie jasności, gdy temperatura otoczenia jest zbyt wysoka, aby chronić elementy urządzenia. Jeżeli zauważą Państwo znaczną utratę jasności w reflektorze, proszę sprawdzić temperaturę otoczenia w bezpośrednim sąsiedztwie reflektora i w razie potrzeby zapewnić obniżenie temperatury do lub poniżej maksymalnej dopuszczalnej wartości.



INSTRUKCJE DLA URZĄDZEŃ MONTOWANYCH W POMIĘSZCZENIACH

1. Urządzenia do zastosowań instalacyjnych są przeznaczone do pracy ciągłej.
2. Urządzenia przeznaczone do montażu w pomieszczeniach nie są odporne na warunki atmosferyczne.
3. Powierzchnie i części z tworzywa sztucznego mogą się starzeć również w urządzeniach instalacyjnych, np. na skutek promieniowania UV i wahań temperatury. Z reguły nie wpływa to negatywnie na funkcjonalność
4. W przypadku urządzeń zainstalowanych na stałe należy się spodziewać nagromadzenia zanieczyszczeń, np. kurzu. Należy zawsze przestrzegać wskazówek dotyczących pielęgnacji.
5. Jeżeli na urządzeniu lub w danych technicznych nie podano wyraźnie inaczej, urządzenia są przeznaczone do montażu na wysokości poniżej 5 m.

ZAWARTOŚĆ OPAKOWANIA

Wyjąć produkt z opakowania i usunąć wszystkie materiały opakowaniowe. Proszę sprawdzić kompletność i integralność dostawy i niezwłocznie po zakupie powiadomić sprzedawcę, jeśli dostawa nie jest kompletna lub jest uszkodzona.

W zakres dostawy produktu CLG4FC wchodzi:

- ▶ 1 x Reflektor Cameo G4FC, czarny
- ▶ INSTRUKCJA UŻYTKOWANIA

Zakres dostawy produktu CLG4FCWH obejmuje:

- ▶ 1 x Reflektor Cameo G4FCWH, biały
- ▶ INSTRUKCJA UŻYTKOWANIA

WPROWADZENIE

Lampa do galerii LED z jedną diodą LED 40 W RGBL

CLG4FC (czarna obudowa)

CLG4FCWH (biała obudowa)

FUNKCJE KONTROLNE

1CH, 2CH 16 bit, 3CH CCT, 3CH Presets, 4CH Direct, 5CH HSI,

8CH Direct + CCT i 12CH 16 Bit Full Access DMX Control

W-DMX™

Funkcja samodzielna (ustawiana przez Cameo Unicon)

CHARAKTERYSTYKA

Kompatybilny z szynami 3-fazowymi GLOBAL pro (dawniej NOKIA) XTS, XTTS i XTSC.

40 W RGBL LED. W-DMX™. DMX512. RJ45-Anschluss. Napięcie robocze: 100-240 V AC.

Sita rozpraszające, filtry i siatki prostujące dostępne opcjonalnie.

Reflektor posiada standard RDM (Remote Device Management). To zdalne zarządzanie urządzeniami umożliwia odczytywanie stanu i konfigurację urządzeń końcowych RDM poprzez kontroler obsługujący RDM, jak np. dostępny opcjonalnie Cameo UNICON (numer artykułu CLIREMOTE).

Cameo UNICON umożliwia również dostęp do całego menu osprzętu.

PRZYŁĄCZA, ELEMENTY OBSŁUGI I WSKAŹNIKI

ENGLISH

DEUTSCH

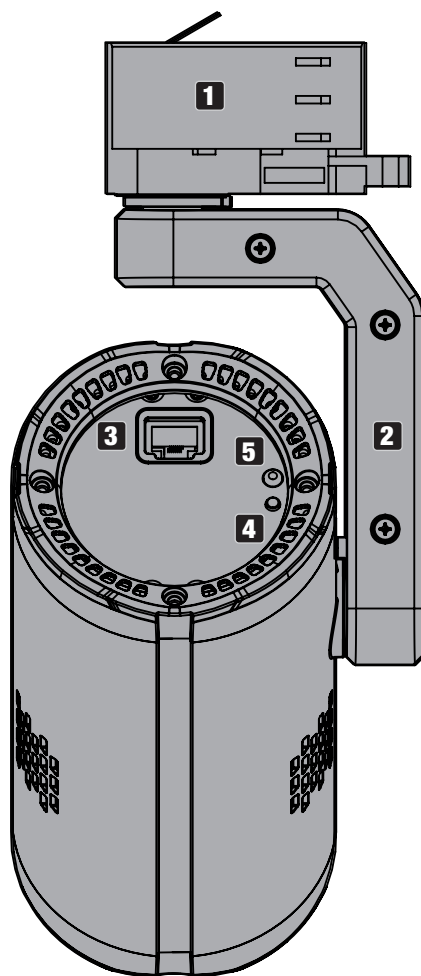
FRANCAIS

ESPAÑOL

POLSKI

ITALIANO

DMX



1 ADAPTER KOLEJOWY

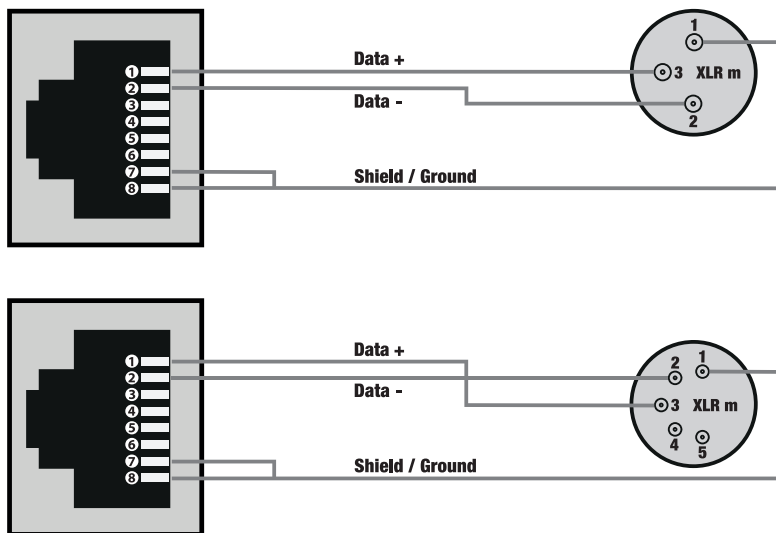
Adapter szynowy do montażu na kompatybilnej szynie 3-fazowej.

2 PRZECHYLNIE I OBROTOWE RAMIĘ NOŚNE

Ramię nośne z dwoma przegubami do regulacji kierunku belki na płaszczyźnie poziomej i pionowej.

3 RJ45 INTERFACE

Interfejs do konfiguracji i sterowania oprawą za pomocą sterownika Cameo UNICON DMX/RDM. Oprawę można również skonfigurować za pomocą innego sterownika RDM i sterować nią za pomocą standardowego sterownika DMX. Przyporządkowanie pinów:



4 PRZYCISK RESETOWANIA W-DMX

Przycisk do rozłączania połączeń W-DMX i do parowania reflektora z urządzeniami W-DMX. Powierzchnia obudowy urządzenia może się bardzo nagrzewać podczas regularnej pracy. Przed uruchomieniem przycisku należy zawsze odczekać, aż urządzenie wystarczająco ostygnie. Aktywować odbiornik W-DMX oprawy poprzez Cameo UNICON i zresetować odbiornik, naciskając przycisk przez około 3 sekundy. Wszystkie poprzednie połączenia są rozłączone i odbiornik przechodzi w stan gotowości do parowania na około 1 minutę, dioda LED statusu nr 5 szybko miga na czerwono. Odbiornik oczekuje teraz na żądanie sparowania nadajnika. Rozpocząć proces parowania na nadajniku; parowanie następuje automatycznie. W ten sam sposób można sparować z nadajnikiem kilka odbiorników jednocześnie lub jeden po drugim. Połączenie W-DMX jest zawsze utrzymywane do momentu rozłączenia połączenia za pomocą polecenia Reset w odbiorniku lub polecenia Unlink w nadajniku, niezależnie od tego, czy w międzyczasie urządzenie zostało odłączone od zasilania.

5 DIODA LED STATUSU

Dioda LED pokazuje aktualny stan reflektora przy sterowaniu przez kabel i W-DMX.

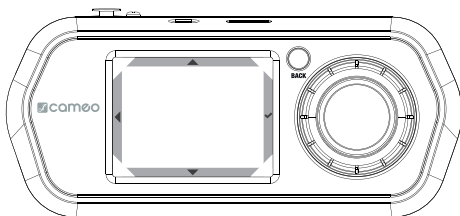
Sterowanie za pomocą kabla (RJ45, W-DMX nieaktywny)

Dioda LED świeci stale na niebiesko	Sygnał DMX jest obecny
Dioda LED miga na niebiesko	brak sygnału DMX
Dioda LED wyłączona	Praca samodzielna

Sterowanie poprzez W-DMX™

Dioda LED miga na czerwono z częstotliwością ok. 1 Hz	Aktywacja W-DMX
Dioda LED szybko miga na czerwono	Parowanie z nadajnikiem anulowane i ustawione na gotowość do parowania
Dioda LED świeci się stale na zielono	Sparowane, sygnał DMX obecny
Dioda LED miga na zielono	Sparowane, brak sygnału DMX

OPERACJA NA JEDNOSTCE STERUJĄCEJ CAMEO UNICON (opcja)

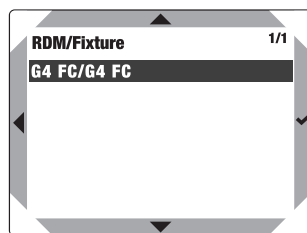
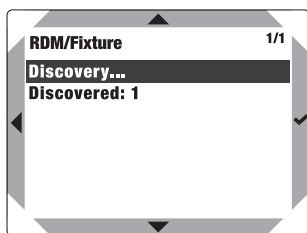
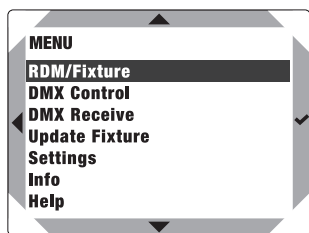


Funkcje elementów sterujących

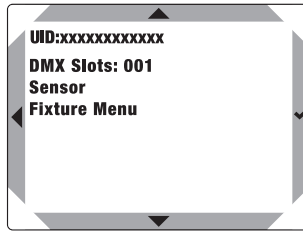
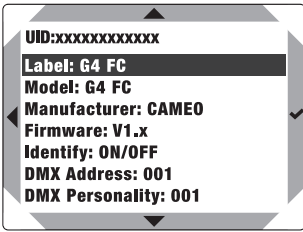
Display		Encoder + BACK
▲	Wartość w górę	↻
▼	Wartość w dół	↺
◀	Powrót	Back
✓	Potwierdź	Encoder

Po włączeniu Unit Controller UNICON (krótko nacisnąć BACK, aby włączyć) na wyświetlaczu pojawi się na krótko napis "Update, Please Wait" (tylko dla celów serwisowych), a następnie menu główne. Podłączyć jednostkę zdalną do Gallery Light G4 FC za pomocą kabla sieciowego i podłączyć reflektor do zasilania.


Wybrać punkt menu **RDM/Fixture** i potwierdzić wybór. Teraz system szuka podłączonych urządzeń RDM (Discovery) i jeżeli G4 FC jest prawidłowo podłączony i włączony, urządzenie zostaje znalezione (Discovered: 1). Po krótkim czasie G4 FC jest wyświetlany jako jedyne urządzenie na liście (pierwsza część wyświetlanego urządzenia RDM pokazuje model urządzenia, druga część za "/" jest etykietą i może być indywidualnie ustawiona w punkcie menu **Label** dla łatwiejszej identyfikacji). Teraz proszę potwierdzić, aby wejść do podmenu.



Teraz wyświetlane są wszystkie informacje i opcje konfiguracji reflektora, które można wywołać i edytować poprzez RDM.




Lista informacji i opcji konfiguracyjnych z wyjaśnieniami:

UID:	Indywidualny i niezmienny numer identyfikacyjny wybranego urządzenia RDM
Label:	Indywidualnie regulowane oznakowanie jednostki RDM
Model:	Model urządzenia
Manufacturer:	Producent urządzeń
Firmware:	Oprogramowanie sprzętowe urządzenia
Identify:	ON Wybrane reflektory migają z częstotliwością ok. 1 Hz
	OFF Miganie wyłączone
DMX Address:	Aktualny adres startowy DMX (można go edytować w opcji menu)
DMX Personality:	Aktualny tryb DMX (można go edytować w opcji menu)
DMX Slots:	Liczba kanałów w aktualnym trybie DMX
Sensor	Temperatura LED (naciśnij  , aby wyświetlić)
Menu ustawień	Indywidualne menu urządzenia Cameo do edycji ustawień (patrz DEVICE MENU [Menu urządzenia])

ETYKIETA

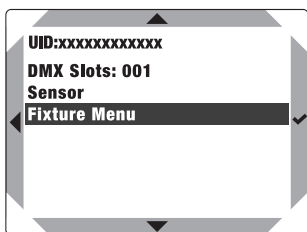
W menu RDM/urządzenie wybrać **Label** i potwierdzić wybór, aby nadać indywidualną nazwę urządzeniu RDM.



Wybrać znaki:	▲ lub ▼ lub przekreślić enkoder
Usunąć wszystkie znaki:	Reset
Ustawić przestrzeń:	Space
Pozycja resetowania:	Celan
Bezpieczne etykietowanie:	Save
Potwierdzić polecenie lub znak i wybrać następną cyfrę:	Nacisnąć  lub enkoder

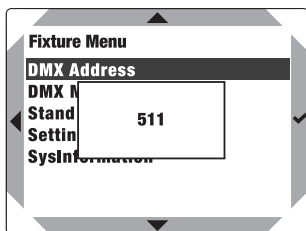
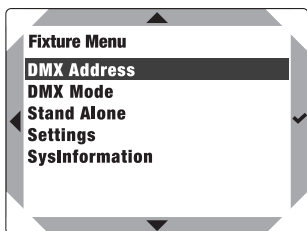
MENU URZĄDZEŃ (Fixture menu)

W menu RDM/Fixture wybrać **Fixture Menu** i potwierdzić wybór.



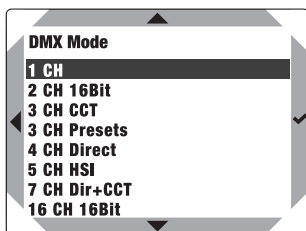
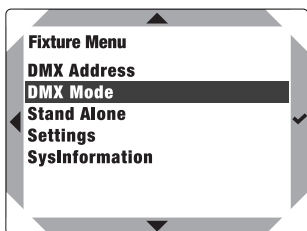
KONFIGURACJA ADRESU STARTOWEGO DMX

Wybrać **DMX Address**, potwierdzić wybór, ustawić żądany adres DMX i potwierdzić wpis. (wyższa wartość zależy od aktualnie aktywowanego trybu pracy DMX)



WYBIERZ TRYB DMX

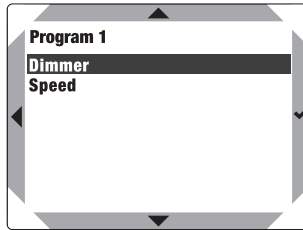
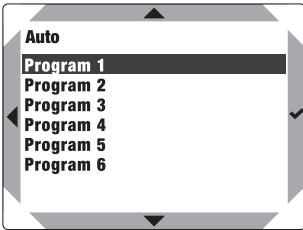
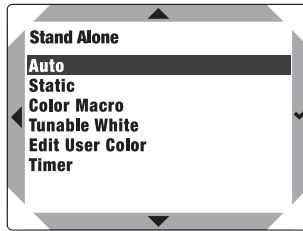
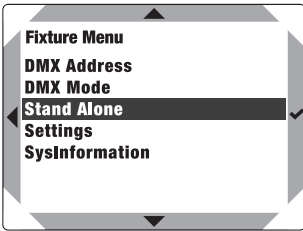
Wybrać **DMX Mode**, potwierdzić wybór, następnie wybrać żądany tryb DMX i potwierdzić wybór.



AUTOMATYCZNY TRYB AUTONOMICZNY

Każdy z 6 dostępnych programów automatycznych zawiera nieedytowalne sekwencje zmian kolorów. Jasność (Dimmer) i szybkość (Speed) są regulowane oddzielnie w każdym programie.

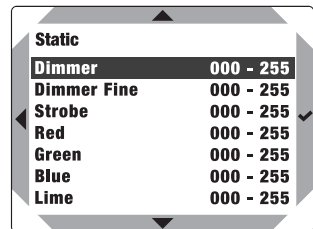
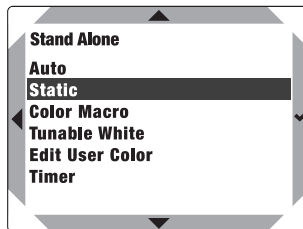
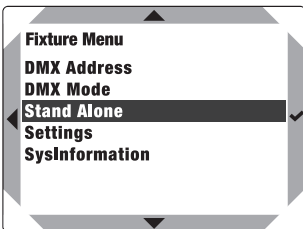
Wybrać **Stand Alone**, potwierdzić wybór, a następnie wybrać **Auto** i ponownie potwierdzić. Teraz należy wybrać żądany program (Program 1 - Program 6) i ponownie potwierdzić. Teraz należy wybrać **Dimmer** lub **Speed**, potwierdzić i ustawić wartość jasności lub prędkości od 001 do 100, zgodnie z życzeniem. Potwierdzić wszystkie wpisy.



STATYCZNY TRYB SAMODZIELNY

Tryb samodzielny Static umożliwia ustawienie wartości Dimmer, Dimmer Fine, Strobe i RGBAL bezpośrednio w urządzeniu za pomocą wartości od 000 do 255, podobnie jak w przypadku sterownika DMX. W ten sposób można stworzyć indywidualną scenę bez dodatkowego sterownika DMX.

Wybrać **Stand Alone**, potwierdzić wybór, a następnie wybrać **Static** i ponownie potwierdzić. Teraz należy wybrać pozycję menu, którą chce się edytować i potwierdzić wybór. W wybranym punkcie menu ustawić żądaną wartość od 000 do 255 i potwierdzić wpis. Wartości dla efektu stroboskopowego odpowiadają wartościom w kanale 2 tabeli DMX 3 CH presets.

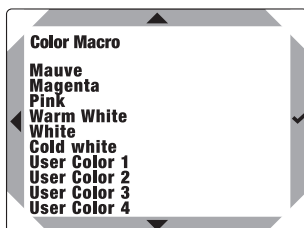
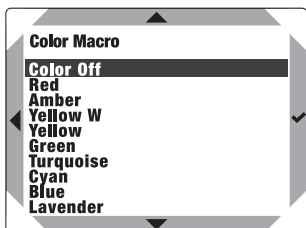
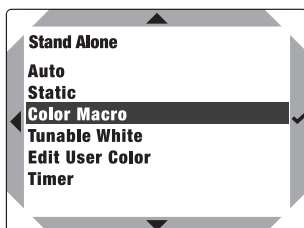
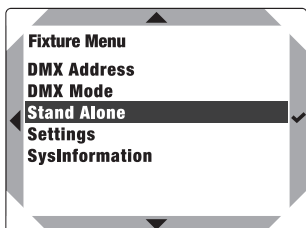


TRYB SAMODZIELNY MAKRO KOLOR

jako ustawienia wstępne dostępnych jest 15 różnych makr kolorów i 4 kolory indywidualne (Kolor użytkownika 1-4). Jasność można regulować dla każdego ustawienia wstępnego.

Wybrać **Stand Alone**, potwierdzić wybór, a następnie wybrać **Color Macro** i ponownie potwierdzić. Wybrać żądane ustawienie koloru i potwierdzić (Color Off = zaciemnienie). Jasność wybranego presetu można teraz regulować w zakresie od 000 do 100. Potwierdzić wszystkie wpisy.

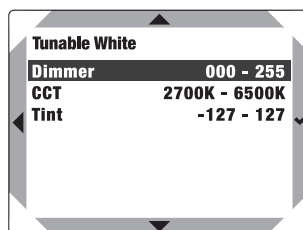
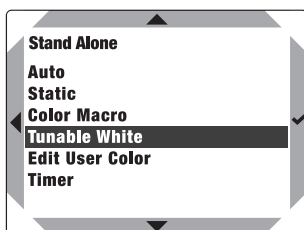
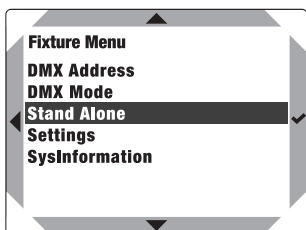
Poszczególne kolory Kolor użytkownika 1-4 tworzy się w punkcie menu **Edit User Color** w menu **Stand Alone**.



TRYB SAMODZIELNY DOSTRAJANA BIEL

W trybie samodzielnym Tuneable White, oprócz jasności (Dimmer) i koloru (Tint), można regulować temperaturę barwową (CCT) w zakresie od 1800 K do 6500 K w krokach co 100 K.

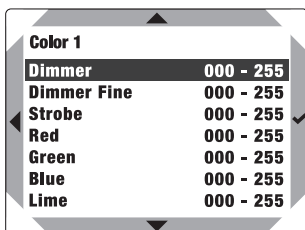
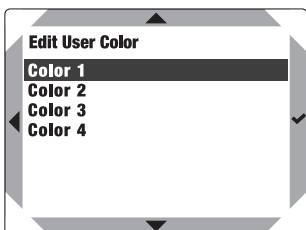
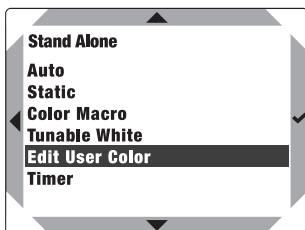
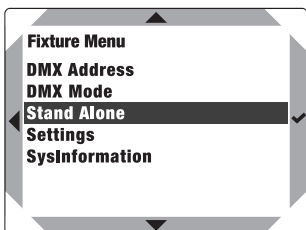
Wybrać **Stand Alone**, potwierdzić wybór, a następnie wybrać **Tunable White** i potwierdzić ponownie. Teraz należy wybrać pozycję menu, którą chce się edytować i potwierdzić wybór. Ustawić żadaną wartość i potwierdzić wpis.



SAMODZIELNA KATEGORIA EDYCJA KOLOR UŻYTKOWNIKA

W samodzielnej kategorii Edycja koloru użytkownika mają Państwo możliwość zapisania jasności (Dimmer i Dimmer Fine), stroboskopu (Strobe) oraz mieszanki kolorów R, G, B i L bezpośrednio w urządzeniu w czterech indywidualnych presetach kolorów.

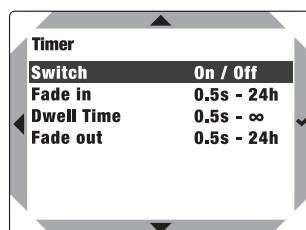
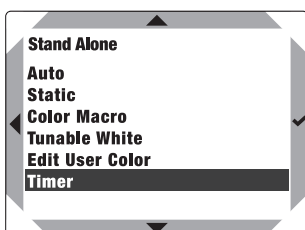
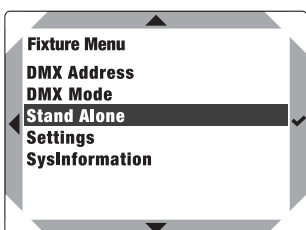
Wybrać **Stand Alone**, potwierdzić wybór, a następnie wybrać **Edit User Color** i ponownie potwierdzić. Wybrać żądane ustawienie wstępne (Kolor 1 - Kolor 4) i potwierdzić wybór. Teraz należy wybrać pozycję menu, którą chce się edytować i potwierdzić. Ustawić żadaną wartość od 000 do 255 i ponownie potwierdzić. Wartości dla efektu stroboskopowego odpowiadają wartościom w kanale 2 tabeli DMX 3 CH presets.



FUNKCJA TIMER

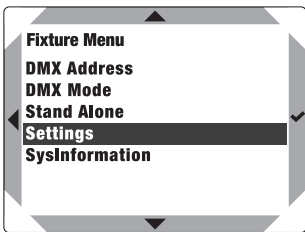
Funkcja timera umożliwi sterowanie samodzielnymi trybami Static, Color Macro i Tuneable White w taki sposób, że czas zanikania może być konfigurowany od 0,5 sekundy do 24 godzin, czas przebywania od 0,5 sekundy do 24 godzin i nieskończony (Limitless), a czas zanikania od 0,5 sekundy do 24 godzin. Po aktywacji funkcji timera, sterowanie timerem zostanie zrealizowane przy następnym uruchomieniu systemu.

Wybrać **Stand Alone**, potwierdzić wybór, a następnie wybrać **Timer** i ponownie potwierdzić. W pozycji **Switch** wybrać ustawienie **On** i potwierdzić. Dla poszczególnych ustawień sterowania czasowego wybrać **Fade In**, **Dwell Time** lub **Fade Out** i potwierdzić. Teraz mogą Państwo ustawić odpowiednią wartość zgodnie z życzeniem. Potwierdzić wszystkie wpisy. Aby dezaktywować funkcję timera, w punkcie **Switch** wybrać ustawienie **Off** i potwierdzić.



USTAWIENIA SYSTEMOWE (Settings)

Wybrać **Settings** i potwierdzić.



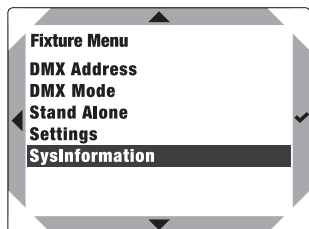
Spowoduje to przejście do podmenu umożliwiającego konfigurację pozycji podmenu (patrz tabela):

Settings				
DMX Fail	=	Stan operacyjny przy błędzie sygnału DMX	Hold	Ostatnie polecenie zostaje zachowane
			User Color 1	Aktywuje kolor użytkownika 1
			Fade out 10s	10 sekundowe wygaszenie
			Blackout	Aktywuje zaciemnienie
Dimmer Curve	=	Dimmer curve	Full On	Wszystkie diody LED 100% mocy
			Linear	Intensywność światła wzrasta liniowo wraz z wartością DMX
			Exponential	Intensywność światła można precyzyjnie regulować przy niższych wartościach DMX i szeroko regulować przy wyższych wartościach DMX
			Logarithmic	Intensywność światła można regulować w szerokim zakresie przy niższych wartościach DMX i precyzyjnie przy wyższych wartościach DMX
Dimmer Response	=	Charakterystyka ściemniania	S-curve	Intensywność światła można precyzyjnie regulować przy niższych i wyższych wartościach DMX oraz szeroko regulować przy średnich wartościach DMX
			LED	Światło reaguje gwałtownie na zmiany wartości DMX
			Halogen	Światło zachowuje się jak reflektor halogenowy z niewielkimi zmianami jasności

Red Shift	=	Dokładnie naśladuje dryf kolorów przy ściemnianiu reflektora halogenowego.	Off	Dryf kolorów jest wyłączony
		W świetle reflektorów temperatura barwowa automatycznie zmienia się stopniowo na ciepłą biel i bursztyn (i odwrotnie).	On	Włączony jest dryf kolorów
PWM Frequency	=	Konfiguracja częstotliwości PWM	800 Hz / 1200 Hz / 2000 Hz / 3600 Hz / 12 kHz / 25 kHz	
Calibration	=	Kalibracja kolorów	Red	Indywidualna kalibracja kolorów. Ustawienie jasności w trybie krzyżowym R, G, B, A i L z wartościami od 000 do 255.
			Green	
			Blue	
			Lime	
W-DMX	=	Włączanie i wyłączanie sterowania bezprzewodowego	Off	Sterowanie bezprzewodowe wyłączone
			On	Aktywacja sterowania bezprzewodowego
Status LED	=	Ustawienie diody LED stanu	Always On	Stale świecąca dioda LED
			Off	Dioda LED wyłączona
			Off after 30s	Dioda LED wyłącza się po 30 sekundach
Power	=	Tryb pracy	Constant	Stała jasność przez długi czas
			Maximum	Jasność maksymalna
Factory Reset	=	Przywrócenie ustawień fabrycznych	Reset?	Przywracanie ustawień fabrycznych: Wykonać reset za pomocą ENTER, anulować za pomocą MENU
Factory Reset WC	=	Przywrócenie ustawień fabrycznych z wyjątkiem Kolorów użytkownika	Reset WC?	Przywracanie ustawień fabrycznych oprócz kolorów użytkownika: Wykonać reset przyciskiem ENTER, anulować przyciskiem MENU

INFORMACJE O SYSTEMIE (SysInformation)

Począwszy od ekranu głównego, nacisnąć enkoder, aby wejść do menu głównego. Wybrać punkt menu **SysInformation** i potwierdzić wybór.



Spowoduje to przejście do podmenu dostępu do informacji o systemie (patrz tabela):

SysInformation			
Firmware	=	Wyświetla firmware urządzenia	Main CPU V1.xx
Temperature	=	Wyświetla temperaturę jednostki LED	LED TEMP
			Temperature Unit
Operation Hours	=	Wyświetla czas pracy	xx:xx h

MOCOWANIE



NIEBEZPIECZEŃSTWO: Montaż podwieszany na wysokości wymaga dużego doświadczenia, w tym obliczenia wartości granicznych obciążeń materiałów instalacyjnych oraz regularnej kontroli bezpieczeństwa wszystkich materiałów instalacyjnych i reflektorów. Jeżeli nie posiadają Państwo takich kwalifikacji, nie należy podejmować prób samodzielnego wykonania instalacji. Należy zwrócić się do wykwalifikowanego specjalisty. Istnieje ryzyko, że urządzenia, które są nieprawidłowo zamontowane i zabezpieczone, mogą się poluzować i spaść. Może to spowodować poważne obrażenia lub śmierć.



NIEBEZPIECZEŃSTWO: Reflektor należy stosować wyłącznie do szyn zamontowanych poziomo (poziomy montaż sufitowy)! Reflektor nie nadaje się do szyn pochyłych i montażu na ścianie!



OSTRZEŻENIE: Przed montażem lub demontażem należy upewnić się, że do szyny 3-fazowej nie dochodzi napięcie elektryczne (wyłączyć bezpieczniki)!

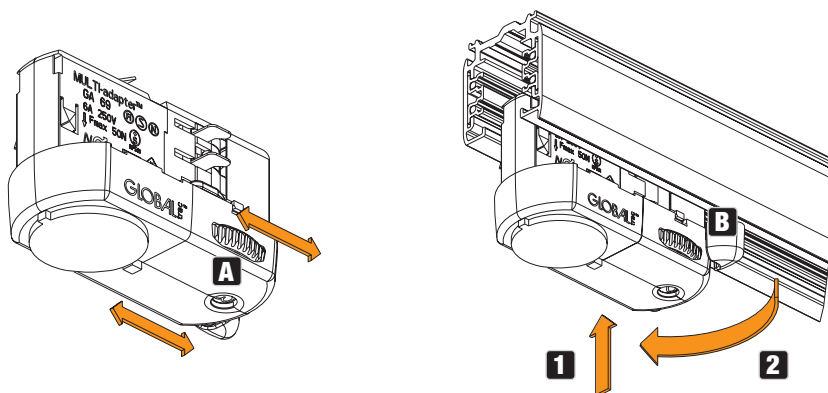


UWAGA: Reflektor nie nadaje się do stosowania z zewnętrznymi ściemniaczami!

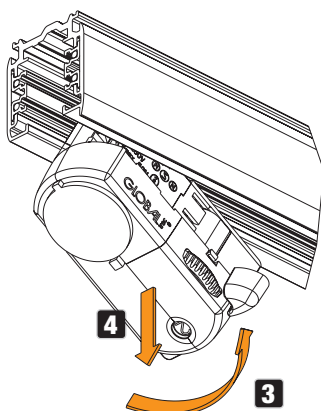
Pokrętem A ustawić na fazę 1, 2 lub 3 (patrz okienko pod pokrętelem; 0 = wyłączony). Regulację można przeprowadzić przed lub po zamontowaniu na szynie.

Aby zamontować na szynie, należy otworzyć dźwignię blokującą B adaptera szynowego (na ilustracji dźwignia w pozycji otwartej), a następnie wcisnąć adapter w szynę, aż będzie leżał płasko na krawędziach szyny (rys. 1).

Zabezpieczyć połączenie, zamykając ponownie dźwignię blokującą (Rys. 2).



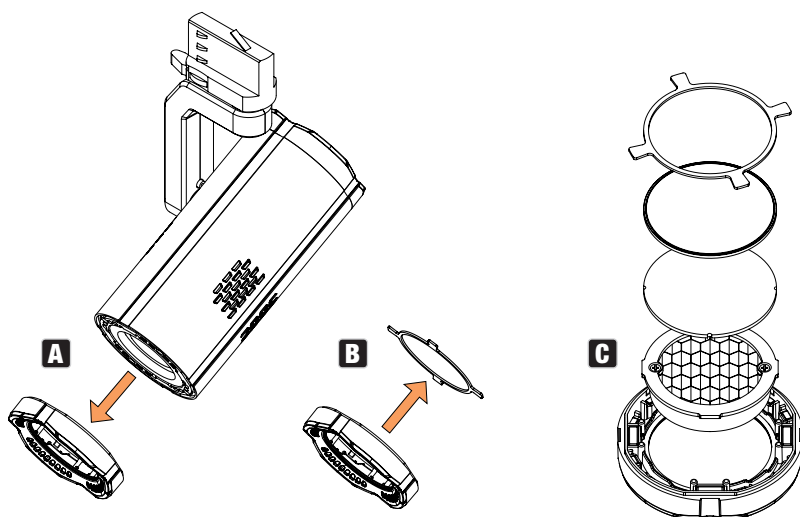
Aby zdemontować reflektor, należy otworzyć dźwignię blokującą (rys. 3) i wyciągnąć reflektor w dół z szyny (rys. 4).



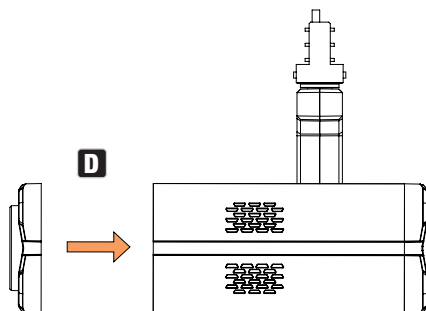
MONTAŻ KRATKI KIERUNKOWEJ, NAWIEWNIKA I FILTRA

Przed soczewką wyjściową reflektora można zamontować łącznie do trzech opcjonalnych akcesoriów (patrz AKCESORIA OPCJONALNE).

Zdjąć z reflektora pierścień końcowy przytrzymywany przez silne magnesy (rys. A), a następnie zdjąć z pierścienia końcowego pierścień zabezpieczający, również przytrzymywany przez magnesy (rys. B). Teraz należy umieścić żądane akcesoria (w przykładzie C najpierw siatkę prostującą, potem tarczę rozpraszającą, a następnie filtr CTO) w pierścieniu końcowym, a następnie nałożyć pierścień zabezpieczający na akcesoria w pierścieniu końcowym. To, w której z trzech możliwych pozycji zostanie umieszczony pierścień mocujący, zależy od całkowitej wysokości włożonych akcesoriów.



Teraz umieścić pierścień końcowy wraz z akcesoriami na reflektorze, jak pokazano na rysunku D.



AKCESORIA OPCJONALNE

Filtr

CLG4CTB (filtr CTB)

CLG4CTO (filtr CTO)

Dyfuzory

CLG46010LENS (60° x 10°)

CLG410LENS (10°)

CLG420LENS (20°)

CLG430LENS (30°)

CLG460LENS (60°)

Prostowanie kraterk

CLG4HC (Plaster miodu, czarny)

CLG4HCWH (Plaster miodu, biały)

PIELĘGNACJA, KONSERWACJA I NAPRAWA

Aby zapewnić długotrwałe, prawidłowe funkcjonowanie urządzenia, należy je regularnie czyścić i w razie potrzeby konserwować. Wymagania dotyczące konserwacji zależą od intensywności użytkowania i środowiska, w którym jest użytkowany.

Generalnie zalecamy kontrolę wzrokową przed każdym uruchomieniem. Ponadto zalecamy przeprowadzanie wszystkich wymienionych poniżej czynności konserwacyjnych raz na 500 godzin pracy lub, w przypadku mniejszej intensywności użytkowania, najpóźniej po roku. Roszczenia gwarancyjne mogą być ograniczone w przypadku wad wynikających z niewłaściwej konserwacji.

PIELĘGNACJA (przeprowadzana przez użytkownika)



OSTRZEŻENIE: Przed przystąpieniem do jakichkolwiek czynności pielęgnacyjnych lub konserwacyjnych należy odłączyć zasilanie oraz, jeżeli to możliwe, wszystkie połączenia urządzeń.



UWAGA: Niewłaściwa pielęgnacja może doprowadzić do pogorszenia stanu urządzenia lub nawet jego zniszczenia.

1. Powierzchnie obudowy należy czyścić czystą, wilgotną szmatką. Należy upewnić się, że do urządzenia nie dostanie się wilgoć.
2. Wloty i wyloty powietrza muszą być regularnie czyszczone z kurzu i brudu. Jeżeli używane jest sprężone powietrze, należy upewnić się, że nie dojdzie do uszkodzenia urządzenia (np. wentylatory muszą być w tym przypadku zablokowane).
3. Należy regularnie czyścić przewody i styki wtyczek oraz usuwać kurz i brud.
4. Zasadniczo nie wolno stosować środków czyszczących ani ściernych, w przeciwnym razie może dojść do uszkodzenia wykończenia powierzchni.
5. Urządzenia należy z reguły przechowywać w suchym miejscu i chronić przed kurzem i brudem.

KONSERWACJA I NAPRAWA (tylko przez wykwalifikowany personel)

NIEBEZPIECZEŃSTWO: W urządzeniu znajdują się elementy pod napięciem. Nawet po odłączeniu zasilania sieciowego w urządzeniu może nadal występować napięcie szczytkowe, na przykład z powodu naładowanych kondensatorów.



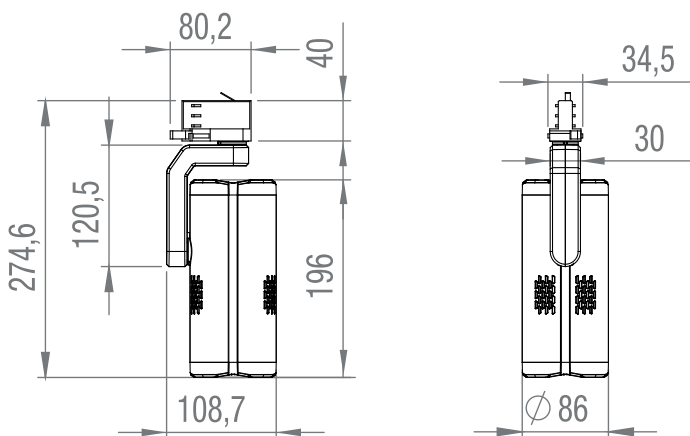
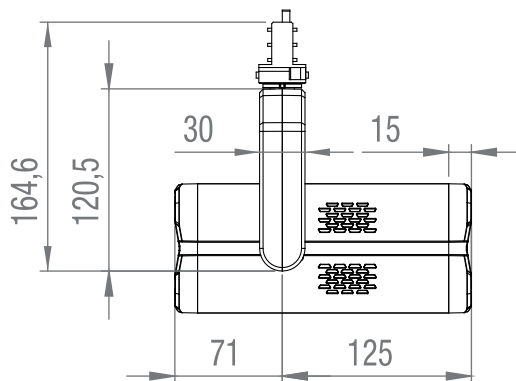
UWAGA: W urządzeniu nie ma podzespołów, które mogą być serwisowane przez użytkownika.



UWAGA: Prace konserwacyjne i naprawcze mogą być wykonywane wyłącznie przez wykwalifikowany personel specjalistyczny upoważniony przez producenta. W razie wątpliwości należy skonsultować się z producentem.



UWAGA: Nieprawidłowo wykonane prace konserwacyjne mogą wpłynąć na roszczenie gwarancyjne.

WYMIARY (mm)

DANE TECHNICZNE

Numer produktu:	CLG4FC(WH)
Typ produktu:	Reflektor LED
Typ:	Reflektor instalacyjny
Spektrum kolorów:	RGBL
Liczba diod LED:	1
Typ LED:	4in1 Chip
Wyjście LED:	40 W
Częstotliwość PWM diody LED:	800 Hz, 1200 Hz, 2000 Hz, 3600 Hz, 12 kHz, 25 kHz(regulowane)
Kąt połowy plew:	5
Dziesiąty kąt rozpraszania:	10
Wejście DMX:	1x RJ45
Wyjście DMX:	----
Funkcje DMX:	Ściemniacz, Dokładny ściemniacz, Stroboskop, Czerwony, Zielony, Niebieski, Limonkowy, Barwa, Nasycenie, Temperatura barw, Odcień, Presety kolorów, Mieszanie kolorów, Zapisywanie kolorów użytkownika, Ustawienia urządzenia
Kontrola:	DMX512, W-DMX™, RDM
Funkcje w trybie Standalone:	Static
Elementy sterujące pracą:	Przycisk W-DMX + zewnętrzny pilot sterujący
Napięcie robocze:	100-240 V AC/50-60 Hz
Pobór mocy:	40 W
Prąd rozruchowy:	45A / 0,3ms (pierwsza półfala)
Strumień świetlny:	PEŁNIA: 410 lm
Wskaźnik reprodukcji kolorów Ra:	>77 @6500K
Szyny kompatybilne:	GLOBAL pro (dawniej NOKIA) XTS, XTTS i XTSC tory 3-fazowe
Podłączenie zasilania:	Adapter szynowy (faza do wyboru)
Temperatura otoczenia (podczas pracy):	0°C - 40°C
Względna wilgotność powietrza:	< 80% bez kondensacji
Kolor obudowy:	Czarny (CLG4FC) Biały (CLG4FCWH)
Materiał obudowy:	Metal
Chłodzenie obudowy:	Chłodzenie konwekcyjne
Minimalna odległość od oświetlanej powierzchni:	0,5 m
Minimalna odległość od materiałów normalnie łatwopalnych:	0,5 m
Wymiary (Ø x L, bez ramienia nośnego):	86 x 196 mm
Masa:	1,3 kg
RDP (Material Group A):	0,25 @ 2700K; 0,44 @ 6500K

ENGLISH

DEUTSCH

FRANCAIS

ESPAÑOL

POLSKI

ITALIANO

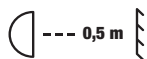
DMX

RDP (Material Group B):

0,58 @ 2700K; 0,60 @ 6500K

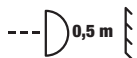
Wyposażenie dodatkowe
(opcjonalne):Wymienne soczewki (10°, 20°, 30°, 60°, 60°x10°)
Plaster miodu, filtr CTO, filtr CTB

MINIMALNA ODLEGŁOŚĆ OD OŚWIETLANEJ POWIERZCHNI



Ten symbol z określeniem odległości w metrach (m) wskazuje minimalną odległość między głowicą lampy a oświetlaną powierzchnią. W tym przykładzie odległość wynosi 0,5 m. Wartość obowiązującą dla tego urządzenia należy odczytać z danych technicznych zawartych w niniejszej instrukcji oraz z nadruku na obudowie urządzenia!

MINIMALNA ODLEGŁOŚĆ OD MATERIAŁÓW NORMALNIE ŁATWOPALNYCH



Ten symbol z określeniem odległości w metrach (m) wskazuje minimalną odległość między głowicą lampy a normalnie łatwopalnymi materiałami. W tym przykładzie odległość wynosi 0,5 m. Wartość obowiązującą dla tego urządzenia można znaleźć w danych technicznych w niniejszej instrukcji!

UTYLIZACJA



OPAKOWANIE:

1. Opakowania można wprowadzić do cyklu materiałów do ponownego wykorzystania przy użyciu standardowych metod utylizacji.
2. Prosimy o oddzielenie opakowania zgodnie z przepisami dotyczącymi utylizacji i recyklingu obowiązującymi w danym kraju.



URZĄDZENIE:

1. Niniejsze urządzenie podlega europejskiej dyrektywie w sprawie zużytego sprzętu elektrycznego i elektronicznego z późniejszymi zmianami. Dyrektywa WEEE Zużyty sprzęt elektryczny i elektroniczny. Stare urządzenia nie należą do odpadów domowych. Stare urządzenie należy oddać do utylizacji w autoryzowanym zakładzie utylizacji lub w zakładzie komunalnym. Należy przestrzegać odpowiednich przepisów obowiązujących w danym kraju!
2. Należy przestrzegać wszystkich przepisów i regulacji dotyczących utylizacji obowiązujących w Państwie kraju.
3. Jako klient prywatny mogą Państwo uzyskać informacje o przyjaznych dla środowiska możliwościach utylizacji od sprzedawcy produktu lub od odpowiednich władz regionalnych.

DEKLARACJE PRODUCENTA

Gwarancja producenta i ograniczenie odpowiedzialności

Adam Hall GmbH, Adam-Hall-Str. 1, D-61267 Neu-Anspach /

E-Mail Info@adamhall.com / +49 (0)6081 / 9419-0

Nasze aktualne warunki gwarancji i ograniczenia odpowiedzialności można znaleźć na stronie:

https://cdn-shop.adamhall.com/media/pdf/Manufacturers-Declarations-CAMEO_DE_EN_ES_FR.pdf

W przypadku konieczności skorzystania z usług serwisowych należy skontaktować się ze swoim sprzedawcą.

Zgodność z CE

Adam Hall GmbH niniejszym potwierdza, że ten produkt spełnia następujące wytyczne (o ile mają zastosowanie):

Dyrektywa niskonapięciowa (2014/35/EU)

Dyrektywa EMC (2014/30/EU)

RoHS (2011/65/EU)

RED (2014/53/EU)

Deklaracja zgodności EC

Deklaracje zgodności dla produktów podlegających dyrektywie LVD, EMC, RoHS można zamówić na stronie info@adamhall.com

Deklaracje zgodności dla produktów podlegających RED można pobrać ze strony www.adamhall.com/compliance/

Zastrzega się możliwość wystąpienia błędów w druku i pomyłek, a także zmian technicznych i innych!

Ottima scelta!

Questo dispositivo è stato sviluppato e prodotto secondo i più alti standard di qualità, per garantire molti anni di funzionamento senza problemi. Leggere attentamente questo Manuale di istruzioni per iniziare rapidamente a utilizzare al meglio il prodotto Cameo. Ulteriori informazioni su Cameo Light sono disponibili sul nostro sito web **CAMEOLIGHT.COM**.

INFORMAZIONI SU QUESTO MANUALE DI ISTRUZIONI

- Prima di utilizzare il dispositivo, leggere attentamente le istruzioni di sicurezza e l'intero manuale.
- Rispettare le avvertenze riportate sul dispositivo e nel manuale d'istruzioni.
- Tenere sempre a portata di mano il manuale d'istruzioni.
- Se si vende o si cede il dispositivo, è importante accludere anche questo manuale d'istruzioni perché è parte integrante del prodotto.

USO PREVISTO

Questo prodotto è un faretto per l'installazione permanente!

Questo faretto è destinato esclusivamente agli utenti professionali e non è adatto alle abitazioni private o a terzi!

L'uso del prodotto al di fuori dei dati tecnici e delle condizioni operative specificate, così come l'installazione non corretta, sono considerati inappropriati!

È esclusa la responsabilità per danni a persone e cose causati da uso improprio.

Il prodotto non è adatto a:

- Utilizzo da parte di persone (compresi i bambini) con capacità fisiche, sensoriali o mentali limitate o mancanza di esperienza e conoscenza.
- Bambini (ai bambini deve essere insegnato a non giocare con il dispositivo).

DEFINIZIONI E SPIEGAZIONI DEI SIMBOLI

1. **PERICOLO:** la parola PERICOLO, eventualmente abbinata a un simbolo, indica situazioni o condizioni di pericolo imminente per la vita e l'incolumità delle persone.
2. **AVVERTENZA:** la parola AVVERTENZA, eventualmente abbinata a un simbolo, indica situazioni o condizioni potenzialmente pericolose per la vita e l'incolumità delle persone.
3. **CAUTELA:** la parola CAUTELA, eventualmente abbinata a un simbolo, viene utilizzata per indicare situazioni o condizioni che possono provocare lesioni.
4. **ATTENZIONE:** la parola ATTENZIONE, eventualmente abbinata a un simbolo, indica situazioni o condizioni che possono provocare danni alle cose e/o all'ambiente.



Questo simbolo identifica pericoli che possono causare scosse elettriche.



Questo simbolo identifica aree o situazioni pericolose.



Questo simbolo indica i pericoli causati da superfici calde.



Questo simbolo indica i pericoli causati da fonti luminose intense.



Questo simbolo indica un dispositivo che non contiene parti sostituibili dall'utente.



Questo simbolo indica informazioni aggiuntive sul funzionamento del prodotto.



Questo simbolo indica un dispositivo che può essere utilizzato solo in ambienti asciutti.

ISTRUZIONI DI SICUREZZA



PERICOLO

1. Non aprire o modificare l'unità.
2. Se il dispositivo non funziona più correttamente, se liquidi o oggetti sono penetrati al suo interno o se il dispositivo è stato danneggiato in qualsiasi altro modo, spegnerlo immediatamente e staccarlo dall'alimentazione di rete. Il dispositivo può essere riparato unicamente da tecnici autorizzati alla riparazione.
3. Per i dispositivi di classe di protezione 1, il conduttore di protezione deve essere collegato correttamente. Non scollegare mai il conduttore di protezione. I dispositivi della classe di protezione 2 non hanno il conduttore di protezione.
4. Verificare che i cavi sotto tensione non siano piegati o riportino altri danni meccanici.
5. Non escluda mai il fusibile dell'apparecchio.



AVVERTENZA

1. Il dispositivo non deve essere utilizzato se presenta evidenti segni di danneggiamento.
2. Il dispositivo può essere installato solo se a tensione zero.
3. Non mettere in funzione il dispositivo se il cavo di rete dello stesso è danneggiato.
4. I cavi di alimentazione fissi possono essere sostituiti solo da una persona qualificata.



ATTENZIONE

1. Non utilizzare il dispositivo se è stato esposto a forti oscillazioni di temperatura (ad esempio, dopo il trasporto). L'umidità e la condensa possono danneggiare il dispositivo. Accendere il dispositivo solo quando ha raggiunto la temperatura ambiente.
2. Verificare che la tensione e la frequenza dell'alimentazione di rete corrispondano ai valori indicati sul dispositivo. Se il dispositivo è dotato di un selettore di tensione, non collegare il dispositivo finché non è impostato correttamente. Usare solo cavi di alimentazione adatti.
3. Per scollegare il dispositivo dalla rete elettrica su tutti i poli, non basta premere l'interruttore di accensione/spengimento del dispositivo.
4. Verificare che il fusibile utilizzato corrisponda al tipo stampato sull'unità.
5. Accertarsi che siano state adottate misure appropriate contro la sovratensione (ad es. fulmini).
6. Attenersi alla corrente di uscita massima specificata sui dispositivi con connessione Power Out (potenza in uscita). Assicurarsi che il consumo totale di corrente di tutti i dispositivi collegati non superi il valore specificato.
7. Sostituire unicamente con cavi originali i cavi di rete collegabili.



PERICOLO

1. Pericolo di soffocamento! I sacchetti di plastica e le piccole parti devono essere tenuti fuori dalla portata di persone (compresi i bambini) con ridotte capacità fisiche, sensoriali o mentali.
2. Pericolo di caduta! Assicurarsi che il dispositivo sia installato in modo sicuro e non possa cadere. Utilizzi solo stativi o supporti adatti (in particolare per le installazioni fisse). Assicurarsi che gli accessori siano installati e fissati correttamente. Aver cura di rispettare le norme di sicurezza applicabili.



AVVERTENZA

1. Utilizzare il dispositivo solo secondo il modo previsto.
2. Utilizzare il dispositivo solo con gli accessori raccomandati e previsti dal produttore.
3. Durante l'installazione, osservare le norme di sicurezza vigenti nel proprio Paese.
4. Dopo aver collegato l'unità, controllare tutti i percorsi dei cavi per evitare danni o incidenti, ad esempio per il rischio di inciampare.
5. Rispettare sempre la distanza minima specificata dai materiali normalmente incombustibili! Se non esplicitamente indicato, la distanza minima è di 0,3 metri.
6. Rispettare sempre la distanza minima dalla superficie illuminata indicata sul dispositivo!

**CAUTELA**

1. Per i componenti mobili, come le staffe di montaggio o altri componenti amovibili, esiste la possibilità che si inceppino.
2. Nel caso di unità con componenti azionati a motore, sussiste il rischio di lesioni provocate dal movimento dell'unità. Il movimento improvviso del dispositivo può provocare shock.
3. La superficie dell'alloggiamento del dispositivo può diventare molto calda durante il normale funzionamento. Accertarsi che non sia possibile toccare l'alloggiamento accidentalmente. Attendere sempre che la lampada si sia raffreddata a sufficienza prima di rimuoverla, sottoporla a manutenzione, ricaricarla ecc.

**ATTENZIONE**

1. Non installare o far funzionare l'apparecchio vicino a radiatori, termosifoni, stufe o altre fonti di calore. Assicurarsi sempre che il dispositivo sia installato in modo che possa raffreddarsi a sufficienza e non si surriscaldi.
2. Non collocare vicino al dispositivo fonti di accensione come candele accese.
3. Le aperture di ventilazione non devono essere coperte e le ventole non devono essere bloccate.
4. Utilizzare l'imballaggio originale o l'imballaggio fornito dal produttore per il trasporto.
5. Evitare urti o colpi al dispositivo.
6. Rispettare la classe di protezione IP e le condizioni ambientali, come temperatura e umidità, indicate nelle specifiche.
7. I dispositivi possono essere ulteriormente perfezionati. In caso di discrepanza delle informazioni inerenti alle condizioni di esercizio, alle prestazioni o ad altre caratteristiche del dispositivo, tra il manuale d'istruzioni e l'etichettatura sul dispositivo, hanno sempre la priorità le informazioni sul dispositivo.
8. L'unità non è adatta ai climi tropicali e al funzionamento sopra i 2000 metri sul livello del mare.
9. Se non esplicitamente indicato, l'unità non è adatta a operare in ambiente marino.



Per i set di conversione o retrofit o gli accessori forniti dal produttore, è essenziale osservare le istruzioni accluse.

**CAUTELA! INFORMAZIONI IMPORTANTI SUI PRODOTTI DI ILLUMINAZIONE**

1. Non guardare mai direttamente nel fascio di luce, nemmeno per pochi istanti.
2. Non guardare mai nel fascio di luce utilizzando dispositivi ottici come lenti d'ingrandimento.
3. Gli effetti stroboscopici possono provocare crisi epilettiche in soggetti sensibili!
4. Le lampade installate in modo permanente sono integrate in queste unità di illuminazione. Non possono essere sostituite dall'utente. Le lampade contenute in questa unità di illuminazione possono essere sostituite solo dal produttore, dal suo partner di assistenza o da una persona altrettanto qualificata.



**SIGNAL TRANSMISSION BY RADIO (e.g. W-DMX or audio radio systems):**

La qualità e la performance delle trasmissioni di segnali wireless generalmente dipendono dalle condizioni ambientali. I seguenti fattori possono influire sulla portata e sulla stabilità del segnale, ad esempio:

Schermatura (come muratura, strutture metalliche, acqua)

Volume di traffico radio elevato (come reti LAN wireless potenti)

Interferenza

Radiazioni elettromagnetiche (come schermi video a LED, dimmer)

Tutte le specifiche della portata si riferiscono ad applicazioni in campo libero con contatto visivo e senza interferenze.

Il funzionamento dei sistemi di trasmissione è soggetto a regolamenti ufficiali. Questi regolamenti possono variare da una regione all'altra e devono essere verificati dall'operatore prima della messa in funzione (quali la radiofrequenza e la potenza di trasmissione).



AVVERTENZA: I dispositivi con trasmissione del segnale wireless non sono adatti all'utilizzo in zone sensibili dove il funzionamento via radio può causare effetti potenzialmente dannosi. Queste zone includono:

- Ospedali, centri sanitari o altre strutture sanitarie che forniscono trattamenti ai pazienti con personale e attrezzature qualificate.
- Zone pericolose di classe I, II e III
- Zone ad accesso ristretto
- Strutture militari
- Aerei o veicoli
- Aree in cui è vietato l'uso di telefoni cellulari

**TRASMISSIONE VIA W-DMX**

AVVERTENZA: In generale, la trasmissione DMX wireless non deve essere utilizzata per applicazioni che comportano fattori rilevanti per la sicurezza e che, in caso di guasto, potrebbero causare lesioni alle persone o danni alle cose.

Questo vale in particolare per le scenografie mobili o le strutture a traliccio, per motori o elevatori controllati via DMX, per i dispositivi di sollevamento di ascensori da palcoscenico azionati via DMX, per sistemi idraulici o analoghi componenti mobili.

La trasmissione DMX wireless non deve essere utilizzata per attivare dispositivi a fiamma, dispositivi pirotecnici o effetti a rischio di esplosione, né per controllare effetti a gas o liquidi quali cannoni a CO₂, spara-coriandoli, giochi d'acqua o simili.

i**TEMPERATURA AMBIENTE**

Si attenga alla temperatura ambiente massima di funzionamento specificata nei dati tecnici. Uno speciale circuito di protezione nel proiettore assicura che la luminosità venga ridotta se la temperatura ambiente è troppo alta per proteggere i componenti dell'unità. Se nota una significativa perdita di luminosità nel proiettore, controlli la temperatura ambiente nelle immediate vicinanze del proiettore e, se necessario, si assicuri che la temperatura sia portata al valore massimo consentito o al di sotto.

i**ISTRUZIONI PER LE APPARECCHIATURE DA INSTALLARE IN INTERNI**

1. Le apparecchiature per le applicazioni di installazione sono progettate per il funzionamento continuo.
2. Le apparecchiature da installare in interni non sono resistenti alle intemperie.
3. Anche le superfici e le parti in plastica delle apparecchiature di installazione possono invecchiare, ad esempio a causa dei raggi UV e delle variazioni di temperatura. In generale, la funzionalità non ne è compromessa.
4. Nei dispositivi fissi, è prevedibile che si accumulino impurità, come la polvere. Osservare sempre le istruzioni per la cura.
5. A meno che non sia esplicitamente indicato diversamente sul dispositivo o nei dati tecnici, i dispositivi sono intesi per essere installati ad altezze inferiori a 5 m.

CONTENUTO DEL L'IMBALLAGGIO

Estrarre il prodotto dalla confezione ed eliminare tutto il materiale di imballaggio. Controllare che la consegna sia completa e intatta, e informare il partner di distribuzione immediatamente dopo l'acquisto se non è completa o è danneggiata.

Nella fornitura del prodotto CLG4FC sono inclusi:

- ▶ 1 x Faretto Cameo G4FC, nero
- ▶ Manuale di istruzioni

La fornitura del prodotto CLG4FCWH comprende:

- ▶ 1 x Faretto Cameo G4FCWH, bianco
- ▶ Manuale di istruzioni

INTRODUZIONE

Luce da galleria LED con un LED RGBL da 40 W

CLG4FC (alloggiamento nero)

CLG4FCWH (alloggiamento bianco)

FUNZIONI DI CONTROLLO

1CH, 2CH 16 bit, 3CH CCT, 3CH Preset, 4CH Direct, 5CH HSI,

8CH Controllo DMX diretto + CCT e 12CH 16 bit ad accesso completo

W-DMX™

Funzione standalone (impostata tramite Cameo Unicon)

CARATTERISTICHE

Compatibile con i binari trifase GLOBAL pro (ex NOKIA) XTS, XTTS e XTSC.

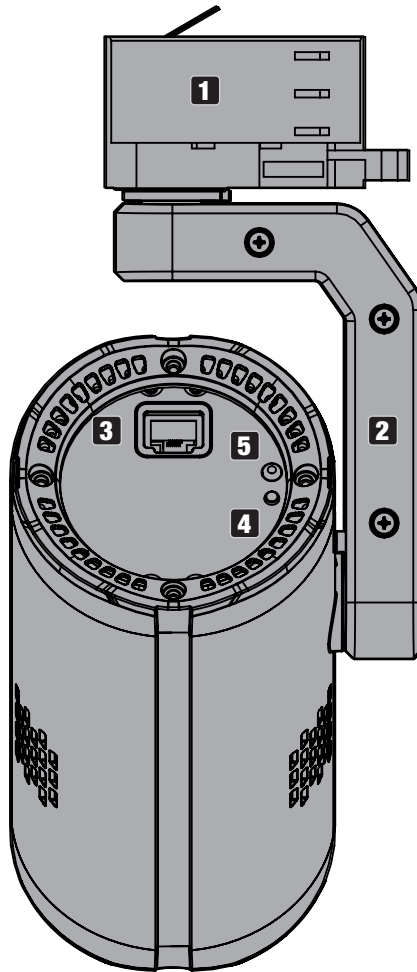
40 W RGBL LED. W-DMX™. DMX512 RJ45-Anschluss. Tensione di esercizio: 100-240 V CA.

Schermi di diffusione, filtri e griglie di raddrizzamento disponibili come optional.

Il faretto ottempera lo standard RDM (Remote Device Management). La funzionalità RDM (gestione remota dei dispositivi) consente di interrogare lo stato e di configurare i dispositivi finali RDM mediante un controller compatibile con RDM, ad esempio il Cameo UNICON (codice articolo CLIREMOT-E), disponibile come optional.

Cameo UNICON consente anche di accedere all'intero menu dell'apparecchio.

CONNESSIONI, ELEMENTI DI COMANDO E DI VISUALIZZAZIONE



1 ADATTATORE PER BINARI

Adattatore per guida per il montaggio su una guida trifase compatibile.

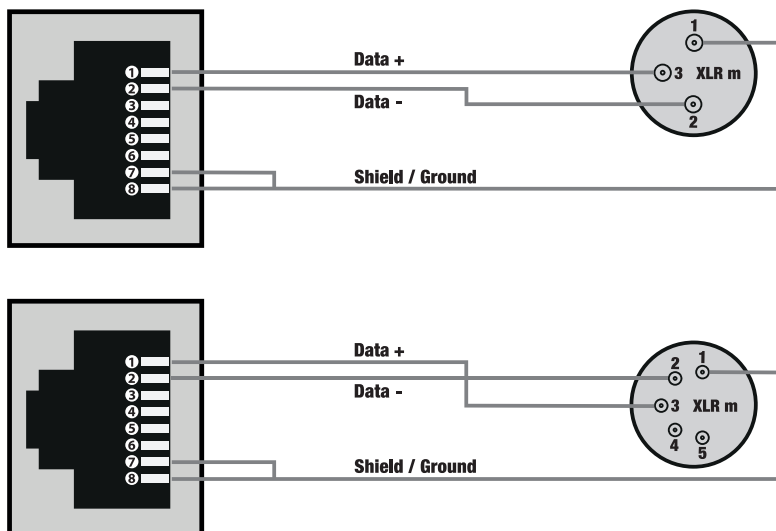
2 BRACCIO DI SUPPORTO INCLINABILE E GIREVOLE

Braccio di supporto con due giunti per regolare la direzione della trave sul piano orizzontale e verticale.

3 RJ45 INTERFACE

Interfaccia per configurare e controllare l'apparecchio utilizzando il controller DMX/RDM Cameo UNICON. L'apparecchio può anche essere configurato con un altro controller RDM e controllato con un controller DMX standard.

Assegnazione dei pin:



4 PULSANTE DI RESET W-DMX

Pulsante per scollegare le connessioni W-DMX e per accoppiare il faretto con i dispositivi W-DMX. La superficie dell'alloggiamento del dispositivo può diventare molto calda durante il normale funzionamento. Lasci sempre raffreddare sufficientemente l'unità prima di azionare il pulsante. Attivi il ricevitore W-DMX dell'apparecchio tramite Cameo UNICON e resettì il ricevitore premendo il pulsante per circa 3 secondi. Tutti i collegamenti precedenti vengono scollegati e il ricevitore viene messo in standby di accoppiamento per circa 1 minuto; il LED di stato n. 5 lampeggia rapidamente in rosso. Il ricevitore è ora in attesa di una richiesta di accoppiamento del trasmettitore. Avviare il processo di accoppiamento sul trasmettitore; l'accoppiamento avviene automaticamente. Allo stesso modo, diversi ricevitori possono essere accoppiati a un trasmettitore simultaneamente o uno dopo l'altro. Una connessione W-DMX rimane sempre attiva finché non viene scollegata con il comando "Reset" nel ricevitore o con il comando "Unlink" nel trasmettitore, anche se nel frattempo un dispositivo è stato scollegato dall'alimentatore.

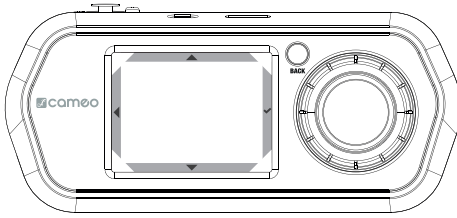
5 LED DI STATO

Il LED mostra lo stato attuale del faretto quando è controllato via cavo e W-DMX.

Controllo via cavo (RJ45, W-DMX disattivato)	
Il LED si illumina permanentemente di blu	Il segnale DMX è presente
Il LED lampeggia in blu	nessun segnale DMX
LED spento	Funzionamento autonomo

Controllo tramite W-DMX™	
Il LED lampeggia in rosso con circa 1Hz	Attivare il W-DMX
Il LED lampeggia rapidamente in rosso	L'accoppiamento con un trasmettitore è stato annullato e impostato sulla preparazione all'accoppiamento
Il LED è illuminato permanentemente di verde	Accoppiato, segnale DMX presente
Il LED lampeggia in verde	Accoppiato, nessun segnale DMX

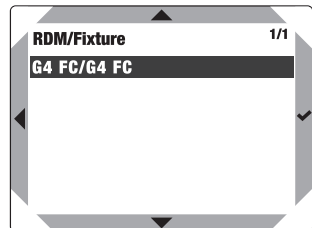
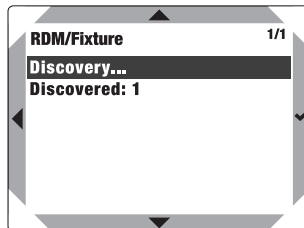
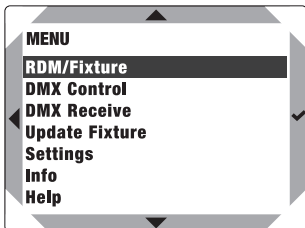
FUNZIONAMENTO PER UNITÀ CONTROLLER CAMEO UNICON (disponibile come opzione)



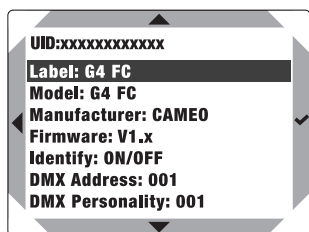
Funzioni dei controlli		
Display		Encoder + BACK
▲	Valore in aumento	↻
▼	Valore in calo	↺
◀	Indietro	Back
✓	Confermare	Encoder

Dopo aver acceso il Controllore di unità UNICON (premere brevemente BACK per accenderlo), sul display appare per un breve periodo "Aggiornamento, attendere" (solo per scopi di assistenza) e poi il menu principale. Collegni l'unità remota a Gallery Light G4 FC tramite il cavo di rete e collegli il faretto all'alimentazione.

Selezioni la voce di menu **RDM/Fixture** e confermi la selezione. Ora il sistema cerca i dispositivi RDM collegati (Discovery) e se il G4 FC è collegato e acceso correttamente, viene trovato un dispositivo (Discovered: 1). Dopo poco tempo, il G4 FC viene visualizzato come unica unità in un elenco (la prima parte dell'unità RDM visualizzata indica il modello dell'unità, la seconda parte dietro "/" è l'etichetta e può essere regolata individualmente nella voce di menu **Label** per una più facile identificazione). Ora confermi per entrare nel sottomenu.



Ora vengono visualizzate tutte le informazioni e le opzioni di configurazione del faretto che possono essere richiamate e modificate tramite RDM.

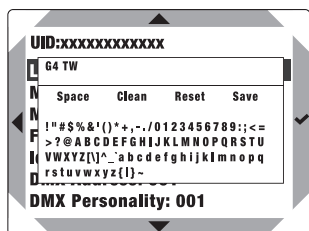


Elenco di informazioni e opzioni di configurazione con spiegazioni:

UID:	Numero di identificazione individuale e immutabile del dispositivo RDM selezionato	
Label:	Marcatura regolabile individualmente dell'unità RDM	
Model:	Modello di dispositivo	
Manufacturer:	Produttore del dispositivo	
Firmware:	Firmware del dispositivo	
Identify:	ON	Il faretto selezionato lampeggia con circa 1 Hz
	OFF	Lampeggiante disabilitato
DMX Address	Indirizzo di partenza DMX attuale (può essere modificato nell'opzione di menu)	
DMX Personality:	Modalità DMX attuale (può essere modificata nell'opzione menu)	
DMX Slots:	Numero di canali nella modalità DMX corrente	
Sensor	Temperatura LED (premere  per visualizzare)	
Fixture Menu	Menu individuale dell'apparecchio Cameo per la modifica delle impostazioni (vedere DEVICE MENU [Menu apparecchio])	

ETICHETTA

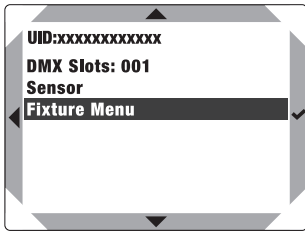
Nel menu RDM/Fixture, selezioni **Label** e confermi la selezione per dare un nome individuale al dispositivo RDM.



Selezionare i caratteri:	 o  oppure ruotare l'encoder
Cancella tutti i caratteri:	Reset
Spazio impostato:	Space
Posizione di reset:	Clean
Etichettatura sicura:	Save
Confermi il comando o il carattere e selezioni la cifra successiva:	Premere  o l'encoder

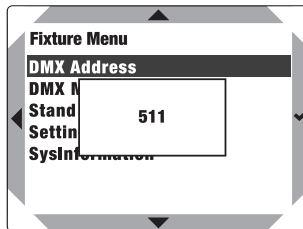
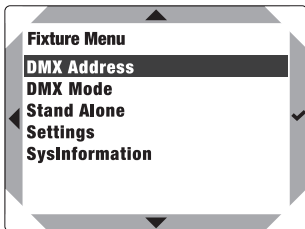
MENU APPARECCHIO (Fixture Menu):

Nel menu RDM/Fixture, selezioni **Fixture Menu** e confermi la selezione.



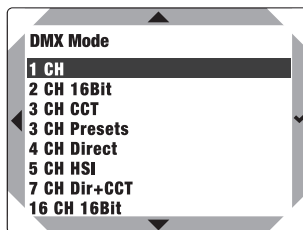
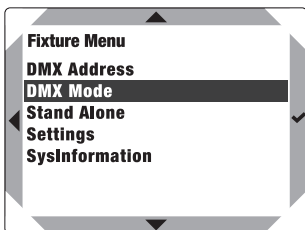
CONFIGURA L'INDIRIZZO DI AVVIO DEL DMX

Selezioni **DMX Address**, confermi la selezione, imposti l'indirizzo DMX desiderato e confermi l'inserimento. (il valore più alto dipende dalla modalità operativa DMX attualmente attivata)



SELEZIONARE LA MODALITÀ DMX

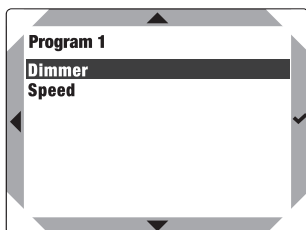
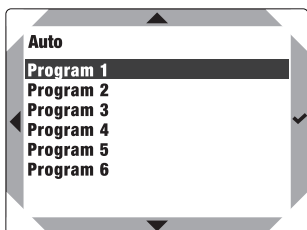
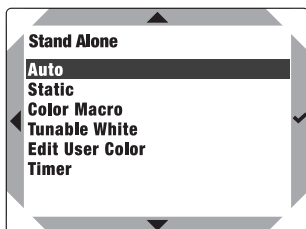
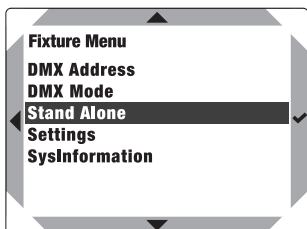
Selezioni la **DMX Mode**, confermi la selezione, quindi selezioni la modalità DMX desiderata e confermi la selezione.



MODALITÀ AUTO STANDALONE

I 6 programmi automatici disponibili comprendono ciascuno sequenze di cambio colore non modificabili. La luminosità (Dimmer) e la velocità di funzionamento (Speed) sono regolabili separatamente in ogni programma.

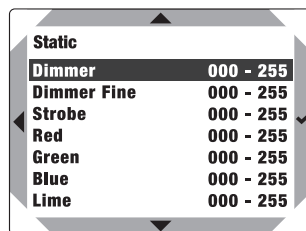
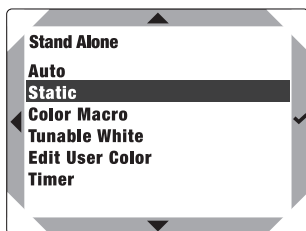
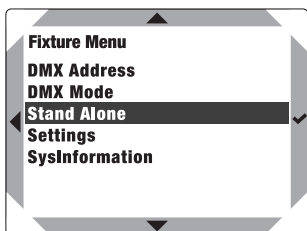
Selezioni **Stand Alone**, confermi la selezione, quindi selezioni **Auto** e confermi di nuovo. Ora selezioni il programma desiderato (Programma 1 - Programma 6) e confermi di nuovo. Ora selezioni **Dimmer** o **Speed**, confermi e imposti il valore di luminosità o velocità da 001 a 100 come desiderato. Confermi tutte le voci.



MODALITÀ STANDALONE STATICA

La modalità standalone statica consente di impostare i valori Dimmer, Dimmer Fine, Strobo e RGBAL direttamente sul dispositivo con valori compresi tra 000 e 255, in modo simile a quanto avviene con un controller DMX. In questo modo, è possibile creare una scena individuale senza un controller DMX aggiuntivo.

Selezioni **Stand Alone**, confermi la selezione, quindi selezioni **Static** e confermi nuovamente. Ora selezioni la voce di menu che desidera modificare e confermi la selezione. Nella voce di menu selezionata, imposti il valore desiderato da 000 a 255 e confermi l'inserimento. I valori per l'effetto strobo corrispondono ai valori del canale 2 della tabella DMX 3 CH preset.

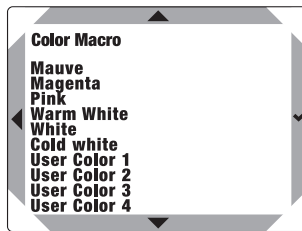
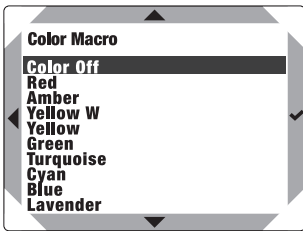
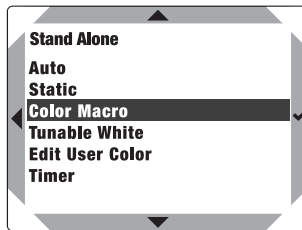
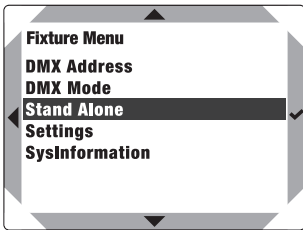


MODALITÀ STANDALONE MACRO COLORE

15 macro di colori diversi e 4 colori individuali (Colore Utente 1-4) sono disponibili come preset. La luminosità può essere regolata per ogni preselezione.

Selezioni **Stand Alone**, confermi la selezione, quindi selezioni **Color Macro** e confermi nuovamente. Selezioni la preimpostazione di colore desiderata e confermi (Colore Off = oscuramento). La luminosità del preset selezionato può ora essere regolata da 000 a 100. Confermi tutte le voci.

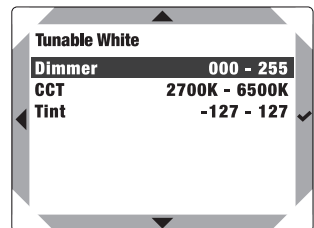
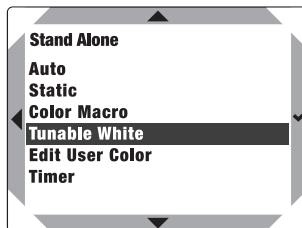
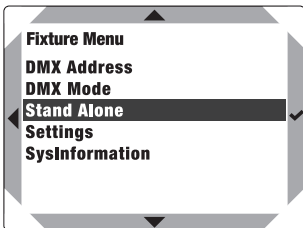
I colori individuali Colore utente 1-4 sono creati nella voce di menu **Edit User Color** del menu **Stand Alone**.



MODALITÀ STANDALONE BIANCO SINTONIZZABILE

Nella modalità standalone Tuneable White, la temperatura del colore (CCT) può essere regolata da 1800 K a 6500 K con incrementi di 100 K, oltre alla luminosità (Dimmer) e al colore (Tint).

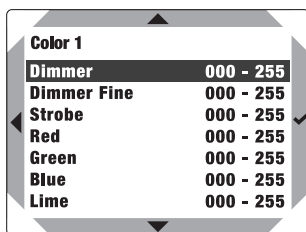
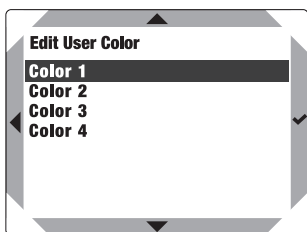
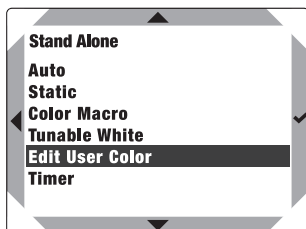
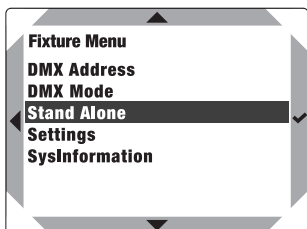
Selezioni **Stand Alone**, confermi la selezione, quindi selezioni **Tunable White** e confermi nuovamente. Ora selezioni la voce di menu che desidera modificare e confermi la selezione. Impostare il valore desiderato e confermare l'inserimento.



CATEGORIA STAND-ALONE MODIFICA COLORE UTENTE

Nella categoria autonoma Modifica Colore Utente, ha la possibilità di salvare la luminosità (Dimmer e Dimmer Fine), la stroboscopia (Strobe) e un mix di colori R, G, B e L direttamente nell'unità in quattro preset di colore individuali.

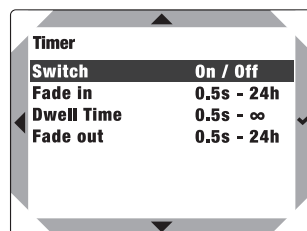
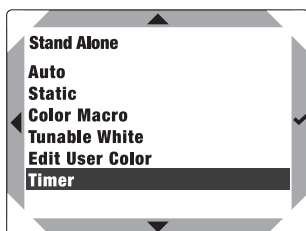
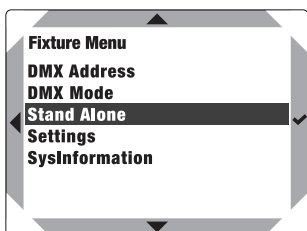
Selezioni **Stand Alone**, confermi la selezione, quindi selezioni **Edit User Color** e confermi nuovamente. Selezioni la preimpostazione desiderata (Colore 1 - Colore 4) e confermi la selezione. Ora selezioni la voce di menu che desidera modificare e confermi. Imposti il valore desiderato da 000 a 255 e confermi di nuovo. I valori per l'effetto strobo corrispondono ai valori del canale 2 della tabella DMX 3 CH preset.



FUNZIONE TIMER

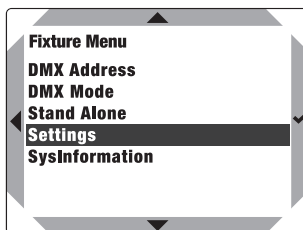
La funzione timer consente alle modalità standalone Statico, Macro colore e Bianco sintonizzabile di essere controllate dal timer in modo tale che il tempo di Fade In possa essere configurato da 0,5 secondi a 24 ore, il Dwell Time da 0,5 secondi a 24 ore e infinito (Limitless) e il tempo di Fade Out da 0,5 secondi a 24 ore. Dopo l'attivazione della funzione timer, il controllo del timer verrà implementato al successivo avvio del sistema.

Selezioni **Stand Alone**, confermi la selezione, quindi selezioni **Timer** e confermi nuovamente. Alla voce **Switch**, selezioni l'impostazione **On** e confermi. Per le impostazioni di controllo del timer individuale, selezioni **Fade In**, **Dwell Time** o **Fade Out** e confermi. Ora può impostare il rispettivo valore come desiderato. Confermi tutte le voci. Per disattivare la funzione timer, al punto **Switch**, selezionare l'impostazione **Off** e confermare.



IMPOSTAZIONI DI SISTEMA (Settings)

Selezionare **Settings** e confermare.



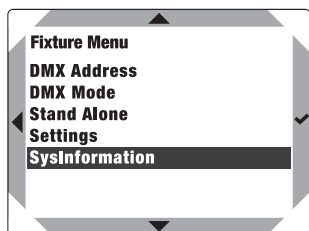
Questo la condurrà al sottomenu per configurare le voci del sottomenu (vedere tabella):

Settings				
DMX Fail	=	Stato di funzionamento con guasto del segnale DMX	Hold	L'ultimo comando viene conservato
			Colore utente 1	Attiva il colore utente 1
			Dissolvenza 10s	10 secondi di dissolvenza fino al blackout
			Blackout	Attiva il blackout
			Completo On	Tutti i LED hanno un'uscita del 100%
Dimmer Curve	=	Curva dimmer	Linear	L'intensità della luce aumenta in modo lineare con il valore DMX
			Exponential	L'intensità della luce può essere regolata con precisione a valori DMX più bassi e ampiamente regolata a valori DMX più elevati
			Logarithmic	L'intensità della luce può essere ampiamente regolata a valori DMX più bassi e regolata con precisione a valori DMX più elevati
			S-curve	L'intensità della luce può essere regolata con precisione a valori DMX più bassi e più alti e ampiamente regolata a valori DMX medi
Dimmer Response	=	Risposta dimmer:	LED	Il faretto risponde istantaneamente alle variazioni del valore DMX
			Halogen	Il faretto si comporta come un faretto alogeno con variazioni di luminosità gradualmente
Red Shift	=	Imita accuratamente la deriva cromatica dell'oscuramento di un faretto alogeno.	Off	La deriva del colore è disattivata
		Spotlight, la temperatura del colore cambia automaticamente e progressivamente in bianco caldo e ambra (e viceversa).	On	La deriva del colore è abilitata

PWM Frequency	=	Configurazione della frequenza PWM	800 Hz / 1200 Hz / 2000 Hz / 3600 Hz / 12 kHz / 25 kHz	
Calibration	=	Calibrazione del colore	Rosso	Calibrazione del colore individuale. Impostazione della luminosità trasversale di R, G, B, A e L con valori compresi tra 000 e 255.
			Verde	
			Blu	
			Calce	
W-DMX	=	Attivazione e disattivazione del controllo wireless	Off	Controllo wireless disattivato
			On	Controllo wireless attivato
Status LED	=	Imposta il LED di stato	Always On	LED acceso in modo permanente
			OFF	LED spento
			Spento dopo 30 secondi	Il LED si spegne dopo 30 secondi
Power	=	Modalità operativa	Costante	Luminosità costante per lunghi periodi
			Massimo	Luminosità massima
Factory Reset	=	Ripristino delle impostazioni di fabbrica	RESET	Ripristino delle impostazioni di fabbrica: Eseguire il ripristino con ENTER, annullare con MENU
Factory Reset WC	=	Ripristina le impostazioni di fabbrica, tranne i colori utente	Reset del WC?	Ripristino delle impostazioni di fabbrica, a parte i Colori utente: Eseguire il ripristino con ENTER, annullare con MENU

INFORMAZIONI SUL SISTEMA (SysInformation)

Partendo dalla visualizzazione principale, prema l'encoder per accedere al menu principale. Selezioni la voce di menu **SysInformation** e confermi la selezione.



Questo la porterà al sottomenu per accedere alle informazioni sul sistema (vedere la tabella):

SysInformation				
Firmware	=	Visualizza il firmware del dispositivo	Main CPU V1.xx	
Temperature	=	Visualizza la temperatura dell'unità LED	LED TEMP	xx °C / xx °F
			Temperature Unit	Celsius (= visualizzazione in gradi Celsius) Fahrenheit (= visualizzazione in gradi Fahrenheit)
Operation Hours	=	Visualizza il tempo di funzionamento	xx:xx h	Visualizzazione del tempo di funzionamento dell'unità in ore e minuti

MONTAGGIO



PERICOLO: Per il montaggio a soffitto è necessaria molta esperienza; occorre, tra l'altro, saper calcolare i valori limite del carico di lavoro, il materiale di installazione utilizzato e saper condurre la periodica ispezione di sicurezza di tutti i materiali di installazione e dei di tutti faretto. Non cercare di eseguire l'installazione per conto proprio se non si hanno queste competenze, ma affidarsi a imprese professioniste. I dispositivi non correttamente montati e fissati possono allentarsi e cadere. Le conseguenze possono essere lesioni gravi o morte.



PERICOLO: utilizzi il faretto solo per binari montati orizzontalmente (montaggio orizzontale a soffitto)! Il faretto non è adatto ai binari inclinati e al montaggio a parete!



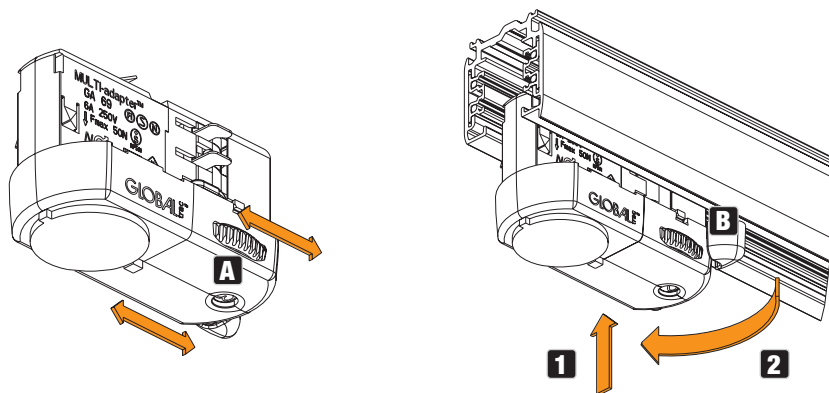
AVVERTENZA: prima di montare o smontare, si assicuri che non sia applicata alcuna tensione elettrica alla guida trifase (disinserire i fusibili)!



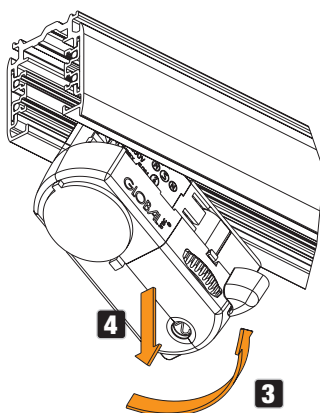
ATTENZIONE: il faretto non è adatto all'uso con dimmer esterni!

Utilizzi la rotella zigrinata A per impostare la fase 1, 2 o 3 (vedere la finestra sotto la rotella zigrinata; 0 = off). La regolazione può essere effettuata prima o dopo il montaggio su una guida.

Per montare su una rotaia, apra la leva di bloccaggio B dell'adattatore per rotaia (leva in posizione aperta nell'illustrazione) e poi spinga l'adattatore nella rotaia finché non si appoggia ai bordi della rotaia (Fig. 1). Fermi il collegamento chiudendo nuovamente la leva di bloccaggio (Fig. 2).



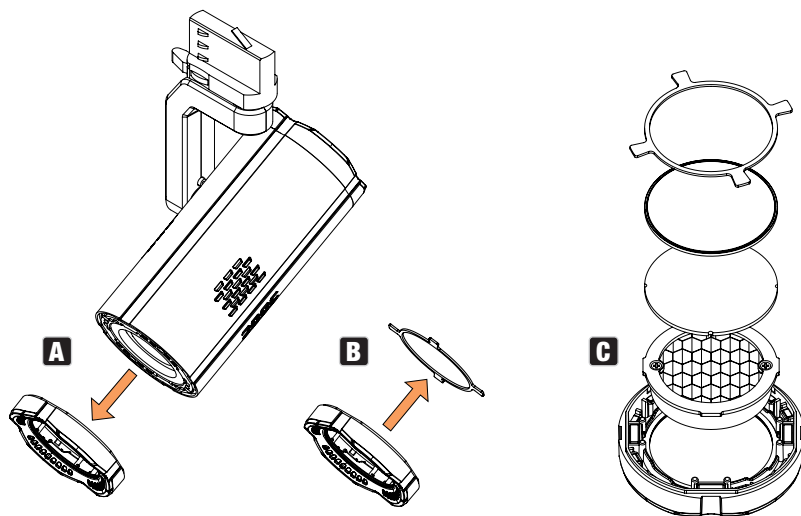
Per smontare il faro, apra la leva di bloccaggio (fig. 3) ed estraiga il faro dalla guida verso il basso (fig. 4).



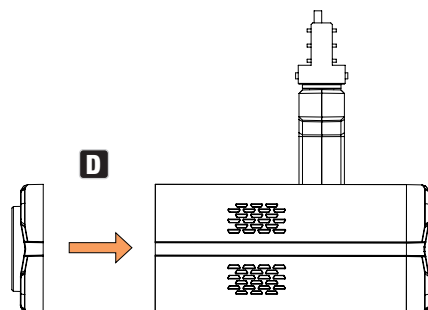
MONTARE LA GRIGLIA DIREZIONALE, IL DIFFUSORE E IL FILTRO

È possibile montare in combinazione fino a tre accessori opzionali davanti alla lente di uscita del proiettore (vedere ACCESSORI OPZIONALI).

Rimuova l'anello terminale tenuto da forti magneti dal proiettore (fig. A) e poi rimuova l'anello di ritegno, anch'esso tenuto da magneti, dall'anello terminale (fig. B). Ora posiziona gli accessori desiderati (nell'esempio C, prima la griglia di raddrizzamento, poi un disco di diffusione e infine un filtro CTO) nell'anello terminale e poi posiziona l'anello di ritenzione sugli accessori nell'anello terminale. La posizione dell'anello di sicurezza dipende dall'altezza totale degli accessori inseriti.



Ora collochi l'anello terminale, compresi gli accessori, sul proiettore, come mostrato nella figura D.



ACCESSORI OPZIONALI

Filtro

CLG4CTB (filtro CTB)

CLG4CTO (filtro CTO)

Diffusori

CLG46010LENS (60° x 10°)

CLG410LENS (10°)

CLG420LENS (20°)

CLG430LENS (30°)

CLG460LENS (60°)

Raddrizzare le griglie

CLG4HC (a nido d'ape, nero)

CLG4HCWH (Nido d'ape, bianco)

CURA, MANUTENZIONE E RIPARAZIONE

Per garantire il funzionamento corretto nel lungo termine del dispositivo, è necessario effettuare la pulizia e, se necessario, la manutenzione regolarmente. I requisiti di manutenzione dipendono dall'intensità e dall'ambiente di utilizzo.

In generale, raccomandiamo un'ispezione visiva prima di ogni utilizzo. Consigliamo inoltre di eseguire tutti i pertinenti interventi di manutenzione indicati di seguito ogni 500 ore di esercizio o, in caso di uso meno intensivo, al massimo dopo un anno. I diritti di garanzia possono essere limitati in caso di difetti derivanti da manutenzione inadeguata.

CURA (effettuata dall'utente)



AVVERTENZA! Prima di effettuare qualsiasi intervento di cura o manutenzione, è necessario scollegare l'alimentatore e, se possibile, staccare tutti i collegamenti del dispositivo.



NOTA! Una cura inadeguata può comportare il danneggiamento e addirittura la distruzione del dispositivo.

1. Le superfici dell'alloggiamento devono essere deterse con un panno umido pulito. Assicurarsi che l'umidità non possa penetrare nel dispositivo.
2. Gli ingressi e le uscite dell'aria devono essere puliti regolarmente da polvere e sporcizia. Se si utilizza l'aria compressa, aver cura che il dispositivo non venga danneggiato (in questo caso, ad es., le ventole devono essere bloccate).
3. I cavi e i contatti a spina devono essere puliti regolarmente, e polvere e sporcizia devono essere rimossi.
4. In generale non devono essere utilizzati detersivi o agenti abrasivi, altrimenti la finitura della superficie potrebbe esserne danneggiata.
5. In generale, i dispositivi devono essere conservati in un luogo asciutto e protetto da polvere e sporcizia.

MANUTENZIONE E RIPARAZIONE (solo da parte di personale qualificato)



PERICOLO! Nel dispositivo sono presenti componenti sotto tensione. Anche dopo la disconnessione dalla rete elettrica, nel dispositivo potrebbe permanere della tensione residua, ad esempio a causa di condensatori carichi.



NOTA! Il dispositivo non contiene gruppi che richiedono manutenzione da parte dell'utente.

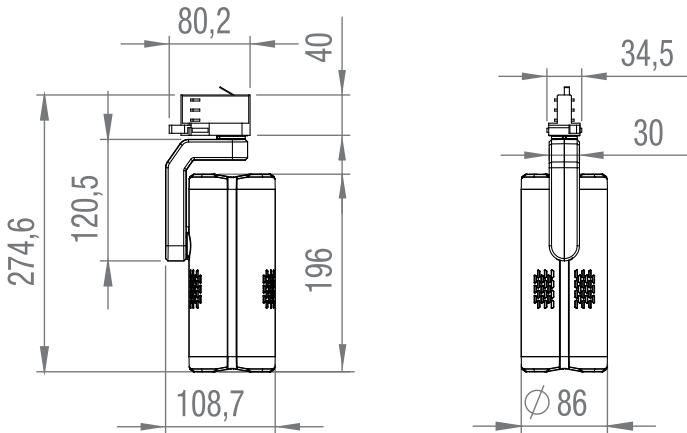
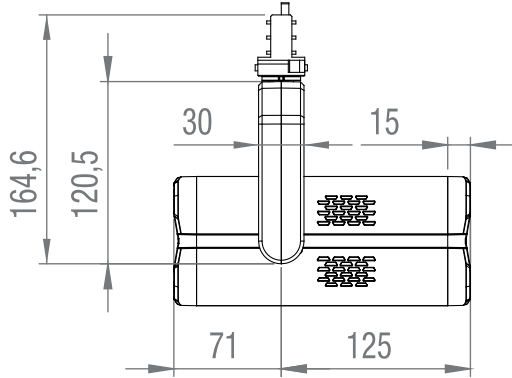


NOTA! Gli interventi di manutenzione e riparazione devono essere eseguiti solo da personale specializzato qualificato e autorizzato dal produttore. In caso di dubbio, consultare il produttore.



NOTA! Gli interventi di manutenzione eseguiti in modo improprio possono compromettere il diritto di garanzia.

DIMENSIONI (mm)



ENGLISH

DEUTSCH

FRANCAIS

ESPAÑOL

POLSKI

ITALIANO

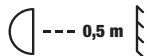
DMX

DATI TECNICI

Codice prodotto:	CLG4FC(WH)
Tipo di prodotto:	Faretto LED
Tipo:	Riflettori puntati sull'installazione
Spettro di colori:	RGBL
Numero di LED:	1
Tipo di LED:	Chip 4in1
Uscita LED:	40 W
Frequenza PWM LED:	800 Hz, 1200 Hz, 2000 Hz, 3600 Hz, 12 kHz, 25 kHz (regolabile)
Angolo di metà pula:	5
Decimo angolo di diffusione:	10
Ingresso DMX:	1x RJ45
Uscita DMX:	----
Funzioni DMX:	Dimmer, Dimmer Fine, Strobo, Rosso, Verde, Blu, Lime, Tonalità, Saturazione, Temperatura colore, Tinta, Preset colore, Miscelazione colore, Registrazione colori utente, Impostazioni dispositivo
Controllo:	DMX512, W-DMX™, RDM
Funzioni indipendenti:	Statico
Controlli operativi:	Pulsante W-DMX + telecomando esterno
Tensione operativa:	100-240 V CA / 50-60 Hz
Consumo:	40 W
Corrente di inserzione:	45A / 0,3ms (prima semionda)
Flusso luminoso:	PIENO: 410lm
Indice di riproduzione del colore Ra:	>77 @6500K
Binari compatibili:	GLOBAL pro (in precedenza NOKIA) XTS, XTTS e XTSC binari trifase
Connessione alimentazione:	Adattatore per rotaia (fase selezionabile)
Temperatura ambiente (in esercizio):	0°C - 40°C
Umidità relativa dell'aria	< 80% senza formazione di condensa
Colore cassa:	Nero (CLG4FC) Bianco (CLG4FCWH)
Materiale cassa:	Metallo
Raffreddamento cassa:	Raffreddamento a convezione
Distanza minima dalla superficie illuminata:	0,5 m
Distanza minima da materiali normalmente infiammabili:	0,5 m
Dimensioni (Ø x L, senza braccio di supporto):	86 x 196 mm
Peso:	1,3 kg

RDP (Material Group A):	0,25 @ 2700K; 0,44 @ 6500K
RDP (Material Group B):	0,58 @ 2700K; 0,60 @ 6500K
Accessori (opzionali):	Lenti intercambiabili (10°, 20°, 30°, 60°, 60°x10°) Nido d'ape, filtro CTO, filtro CTB

DISTANZA MINIMA DALLA SUPERFICIE ILLUMINATA



Questo simbolo con l'indicazione della distanza in metri (m) rappresenta la distanza minima del corpo luminoso dalla superficie illuminata. In questo esempio, la distanza è di 0,5 m. Per il valore valido per questa unità, prendere come riferimento i dati tecnici nel presente manuale e quanto stampato sull'involucro dell'unità!

DISTANZA MINIMA DA MATERIALI NORMALMENTE INFLAMMABILI



Questo simbolo con l'indicazione della distanza in metri (m) rappresenta la distanza minima dell'apparecchio da materiali normalmente infiammabili. In questo esempio, la distanza è di 0,5 m. Per il valore valido per questa unità, prendere come riferimento i dati tecnici nel presente manuale!

SMALTIMENTO



IMBALLAGGIO

1. Gli imballaggi possono essere immessi nel ciclo dei materiali riutilizzabili attraverso i consueti metodi di smaltimento.
2. Separare l'imballaggio in conformità alle norme sullo smaltimento e alle disposizioni sul riciclaggio vigenti nel proprio Paese.



DISPOSITIVO

1. Questo dispositivo è soggetto alla Direttiva europea sui rifiuti di apparecchiature elettriche ed elettroniche nella versione in vigore. (Direttiva RAEE: Rifiuti di apparecchiature elettriche ed elettroniche). I dispositivi e le batterie vecchi non devono essere gettati nei rifiuti domestici. Il dispositivo vecchio deve essere smaltito tramite un'azienda di smaltimento approvata o un impianto di smaltimento urbano. Rispettare le normative in vigore nel proprio Paese!
2. Rispettare tutte le leggi e le normative sullo smaltimento vigenti nel proprio Paese.
3. Come cliente privato, è possibile ottenere informazioni sulle opzioni di smaltimento ecologico dal venditore del prodotto o dalle autorità regionali competenti.

DICHIARAZIONI DEL PRODUTTORE

Garanzia del produttore e limitazione di responsabilità

Adam Hall GmbH, Adam-Hall-Str. 1, D-61267 Neu Anspach /

E-mail Info@adamhall.com / +49 (0)6081 / 9419-0

Le nostre attuali condizioni di garanzia e la limitazione di responsabilità sono reperibili all'indirizzo:

https://cdn-shop.adamhall.com/media/pdf/Manufacturers-Declarations-CAMEO_DE_EN_ES_FR.pdf

Per interventi di manutenzione o riparazione, contattare il proprio partner commerciale.

Conformità CE

Adam Hall GmbH conferma che questo prodotto soddisfa le seguenti linee guida (ove applicabili):

Direttiva LVD (bassa tensione, 2014/35/UE)

Direttiva EMC (2014/30/UE)

RoHS (2011/65/UE)

RED (2014/53/UE)

Dichiarazione di conformità CE

Le dichiarazioni di conformità per i prodotti soggetti alle direttive LVD, CEE, RoHS possono essere richieste a info@adamhall.com

Le dichiarazioni di conformità per i prodotti soggetti alla direttiva RED possono essere scaricate dalla pagina www.adamhall.com/compliance/

Soggetto a refusi ed errori, nonché a modifiche tecniche o di altro tipo.

DMX CONTROL / DMX STEUERUNG / PILOTAGE DMX / CONTROL DMX / STEROWANIE DMX / CONTROLLO DMX

1CH (user color 1)	2CH 16 Bit (user color 1)	Function	Values			
1	1	Dimmer	000	-	255	0% to 100%
	2	Dimmer fine	000	-	255	0% to 100%

3CH Presets	5CH HSI	Function	Values				Sub-Group
1	1	Dimmer	000	-	255	0% to 100%	Dimmer
2		Strobe functions	000	-	005	Strobe open	Multi-functional Strobe
			006	-	010	Strobe closed	
			011	-	022	Ramp up/down, slow -> fast	
			023	-	033	Ramp up/down random, slow->fast	
			034	-	045	Ramp up, slow -> fast	
			046	-	056	Ramp up random, slow -> fast	
			057	-	068	Ramp down, slow -> fast	
			069	-	079	Ramp down random, slow -> fast	
			080	-	102	Random Strobe effect, slow -> fast	
			103	-	127	Strobe Break effect, 5s.....1s (Short burst with break)	
			128	-	250	Strobe slow -> fast <1Hz - 20Hz	
			251	-	255	Strobe open	
	2	Hue	000	-	255	0° (RED) thru 360°	HSI
	3	Saturation	000	-	255	From 0% (white) to 100% pure color	
	4	Color Temperature (affects RGBL or HSI)	000	-	005	No function	CCT
			006	-	006	Warm white	
			007	-	046	Warm white -> 2700K	
			047	-	047	Bulb White (2700K)	
			048	-	087	2700K -> 3200K	
			088	-	088	Halogen White (3200K)	
			089	-	128	3200K -> 4000K	
	129	-	129	Neutral White (4000K)			

4	Color Temperature (affects RGBL or HSI)	130 - 169	4000K -> 5600K	CCT
		170 - 170	Studio-White (5600K)	
		171 - 210	5600K -> 6500K	
		211 - 211	Daylight White (6500K)	
		212 - 251	6500K -> cold Daylight	
		252 - 255	Cold Daylight	
5	Tint (affects Color Temperature)	000 - 000	Off	Tint
		001 - 127	Magenta -> Neutral	
		128 - 128	neutral	
		129 - 255	Neutral -> Green	
3	Color Presets (override HSI, Color Temperature)	000 - 005	Color off	Color Presets
		006 - 013	Red	
		014 - 021	Amber	
		022 - 029	Yellow warm	
		030 - 037	Yellow	
		038 - 045	Green	
		046 - 053	Turquoise	
		054 - 061	Cyan	
		062 - 069	Blue	
		070 - 077	Lavender	
		078 - 085	Mauve	
		086 - 093	Magenta	
		094 - 101	Pink	
		102 - 109	Warm White	
		110 - 117	White	
		118 - 125	Cold White	
		126 - 127	Color Jumping Stop	
		128 - 164	Color Jumping Speed slow->fast / Color 1 -> 12	
		165 - 201	Color Fading Speed slow -> fast / Color 1 -> 12	
		202 - 207	User Color_1	
208 - 213	User Color_2			
214 - 219	User Color_3			
220 - 225	User Color_4			
226 - 255	no function			

3CH CCT	Function	Values			
1	Dimmer	000	-	255	0% to 100%
2	Color Temperature	000	-	006	Warm white

2	Color Temperature	007 - 046	Warm white -> 2700K
		047 - 047	Bulb White (2700K)
		048 - 087	2700K -> 3200K
		088 - 088	Halogen White (3200K)
		089 - 128	3200K -> 4000K
		129 - 129	Neutral White (4000K)
		130 - 169	4000K -> 5600K
		170 - 170	Studio-White (5600K)
		171 - 210	5600K -> 6500K
		211 - 211	Daylight White (6500K)
		212 - 251	6500K -> cold Daylight
3	Tint (affects Color Temperature)	000 - 000	Off
		001 - 127	Magenta -> Neutral
		128 - 128	Neutral
		129 - 255	Neutral -> Green

4CH Direct	Function	Values		
1	Red	000 - 255	0% to 100%	
2	Green	000 - 255	0% to 100%	
3	Blue	000 - 255	0% to 100%	
4	Lime	000 - 255	0% to 100%	

8CH Direct CCT	12CH Full Access	Function	Values			Sub-Group
1	1	Dimmer	000 - 255	0% to 100%		Dimmer
	2	Dimmer fine	000 - 255	0% to 100%		
	3	Strobe functions	000 - 005	Strobe open		Multifunctional Strobe
			006 - 010	Strobe closed		
			011 - 022	Ramp up/down, slow -> fast		
			023 - 033	Ramp up/down random, slow->fast		
			034 - 045	Ramp up, slow -> fast		
			046 - 056	Ramp up random, slow -> fast		
	057 - 068	Ramp down, slow -> fast				

ENGLISH	3	Strobe functions	069 - 079	Ramp down random, slow -> fast	Multifunctional Strobe
			080 - 102	Random Strobe effect, slow -> fast	
			103 - 127	Strobe Break effect, 5s....1s (Short burst with break)	
			128 - 250	Strobe slow -> fast <1Hz - 20Hz	
			251 - 255	Strobe open	
2	4	Red	000 - 255	0% to 100%	Color Mixing
3	5	Green	000 - 255	0% to 100%	
4	6	Blue	000 - 255	0% to 100%	
5	7	Lime	000 - 255	0% to 100%	
FRANCAIS	6	Color Temperature (affect RGBL or HSI)	000 - 005	No function	CCT
			006 - 006	Warm white	
			007 - 046	Warm white -> 2700K	
			047 - 047	Bulb White (2700K)	
			048 - 087	2700K -> 3200K	
			088 - 088	Halogen White (3200K)	
			089 - 128	3200K -> 4000K	
			129 - 129	Neutral White (4000K)	
			130 - 169	4000K -> 5600K	
			170 - 170	Studio-White (5600K)	
			171 - 210	5600K -> 6500K	
			211 - 211	Daylight White (6500K)	
			212 - 251	6500K -> cold Daylight	
252 - 255	Cold Daylight				
ESPAÑOL	7	Tint (affects Color Temperature)	000 - 000	Off	Tint
			001 - 127	Magenta -> Neutral	
			128 - 128	neutral	
			129 - 255	Neutral -> Green	
POLSKI	10	Color Presets (override RGB, HSI, Color Temperature)	000 - 005	Color off	Color Presets
			006 - 013	Red	
			014 - 021	Amber	
			022 - 029	Yellow warm	
			030 - 037	Yellow	
			038 - 045	Green	
			046 - 053	Turquoise	
			054 - 061	Cyan	
			062 - 069	Blue	
ITALIANO	DMX				

	10	Color Presets (override RGB, HSI, Color Temperature)	070 - 077	Lavender	Color Presets
			078 - 085	Mauve	
086 - 093			Magenta		
094 - 101			Pink		
102 - 109			Warm White		
110 - 117			White		
118 - 125			Cold White		
126 - 127			Color Jumping Stop		
128 - 164			Color Jumping Speed slow->fast / Color 1 -> 12		
165 - 201			Color Fading Speed slow-> fast / Color 1 -> 12		
202 - 207			User Color_1		
208 - 213			User Color_2		
214 - 219			User Color_3		
220 - 225			User Color_4		
226 - 255	no function				
11	Color Preset Crossfade (Affects Color Temperature, HSI too)	000 - 005	no function	Device settings	
		006 - 105	0,1s - 10s (0,1s Steps)		
		106 - 214	11s - 119s (1s Steps)		
		215 - 244	2m - 4m50s (10s Steps)		
		245 - 255	5m - 15m (1m Steps)		
8	12	Device settings (please read remark 1*)	000 - 024	No function	Device settings
			025 - 025	Record User Color 1 (hold 3s)	
			026 - 026	Record User Color 2 (hold 3s)	
			027 - 027	Record User Color 3 (hold 3s)	
			028 - 028	Record User Color 4 (hold 3s)	
			029 - 073	No function	
			074 - 075	Dimmer Response LED (hold 3s)	
			076 - 077	Dimmer Response Halogen (hold 3s)	
			078 - 085	No function	
			086 - 087	No function	
			088 - 089	No function	

8	12	Device settings (please read remark 1*)	090 - 119	no function	Device settings
			120 - 121	PWM 1 (800 Hz) (hold 3s)	
			122 - 123	PWM 2 (1200 Hz)(hold 3s)	
			124 - 125	PWM 3 (2000 Hz)(hold 3s)	
			126 - 127	PWM 4 (3600 Hz)(hold 3s)	
			128 - 129	PWM 5 (12 KHz)(hold 3s)	
			130 - 131	PWM 6 (25 KHz)(hold 3s)	
			132 - 163	No function	
			164 - 165	Dimmer Curve Linear (hold 3s)	
			166 - 167	Dimmer Curve Exponential (hold 3s)	
			168 - 169	Dimmer Curve Logarithmic (hold 3s)	
			170 - 171	Dimmer Curve S-Curve (hold 3s)	
			172 - 235	No function	
			236 - 237	Reset All Functions (except DMX-Address and Mode) (hold 3s)	
			238 - 239	Reset All Function (except User Colour, DMX-Address and Mode) (hold 3s)	
240 - 255	No function				

EN: (1*) After the adjustments have been made, set the value to 000 to avoid disturbance by endless function call.

DE: (1*) Nachdem die Einstellungen vorgenommen wurden, stellen Sie den Wert auf 000 ein, um Störungen durch endlosen Funktionsaufruf zu vermeiden.

FR: (1*) Une fois les ajustements effectués, réglez la valeur sur 000 pour éviter les perturbations par appel de fonction sans fin.

ES: (1*) Después de realizar los ajustes, establezca el valor en 000 para evitar perturbaciones mediante una llamada de función sin fin.

PL: (1*) Po dokonaniu ustawień ustaw wartość na 000, aby uniknąć zakłóceń przez niekończące się wywołanie funkcji.

IT: (1*) Dopo aver effettuato le regolazioni, impostare il valore su 000 per evitare disturbi causati da una chiamata a funzione infinita.

DMX

ITALIANO

POLSKI

ESPAÑOL

FRANCAIS

DEUTSCH

ENGLISH

ENGLISH

DEUTSCH

FRANCAIS

ESPAÑOL

POLSKI

ITALIANO

DMX

DMX

ITALIANO

POLSKI

ESPAÑOL

FRANCAIS

DEUTSCH

ENGLISH



CAMEOLIGHT.COM

Adam Hall GmbH

Adam-Hall-Str. 1 | 61267 Neu-Anspach | Germany

Phone: +49 6081 9419-0 | adamhall.com

Adam Hall Ltd. | The Seedbed Business Centre | SS3 9QY Essex | United Kingdom



REV: 03