

AZOR® SP2

COMPACT SPOT PROFILE MOVING HEAD



FEATURES

- ▶ 300 W LED with 13,000 lm luminous flux
- ▶ Zoom range: 3° - 50°
- ▶ Rotating gobo wheel with 7 indexable/rotatable, exchangeable glass gobos + open
- ▶ Linear CTO for colour temperature modulation in lighting setups
- ▶ Silent operation in 3 noise-modes
- ▶ Motorized framing blades on 4 layers (+/- 60° roatable)
- ▶ CMY colour mixing and additional colour wheel with 8 dichroic colour filters
- ▶ Overlapping prisms (linear + circular)
- ▶ Selectable PWM frequencies up to 25 kHz for flicker-free operation



DESCRIPTION

Compact designed from small to medium stages. The AZOR® SP2 is made for artists, bands and actors on stages and theaters. The benefits of a classic spot with the addition of motorized framing blades on 4 layers, rotatable by +/- 60°. An ideal partner for lighting designers and event service providers who are looking for a powerful and versatile LED show light - all of that in a compact housing.

The AZOR® SP2 is based on a 300 W LED light source with 13,000 lumens of luminous flux and a wide zoom range of 3°-50° for precise adjustment of the light beam on any stage. The integrated rotating CMY colour mixing system is complemented by an additional colour wheel with 8 dichroic filters to perform lightning-fast colour changes and split colours in conjunction with the 630° pan and 270° tilt movement.

Providing a spectrum of dynamic patterns and precise color temperature control for lighting designers, the compact spot profile moving head features a gobo wheel with 7 rotating gobos and a linear CTO to create remarkable visual effects and achieve a unique atmosphere.

Thanks to the adjustable PWM frequency (650 Hz - 25 kHz), the AZOR® SP2 is also suitable for use in TV and broadcast applications as well as wherever a camera transmits the action and is dependent on flicker-free LEDs in the picture. It can be controlled via DMX512, RDM or wirelessly via W-DMX using the optional Cameo iDMX adapter. On the fixture itself, buttons and an OLED display provide a convenient basic setup.

AZOR[®] SP2

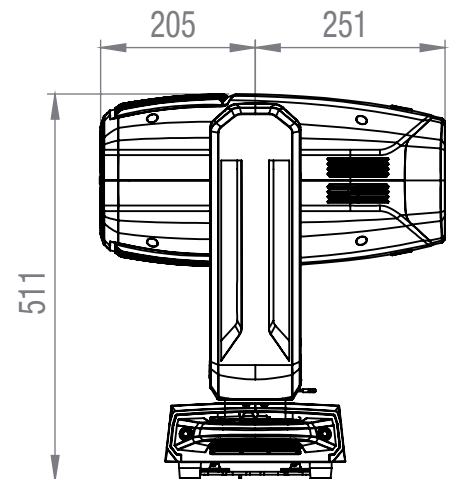
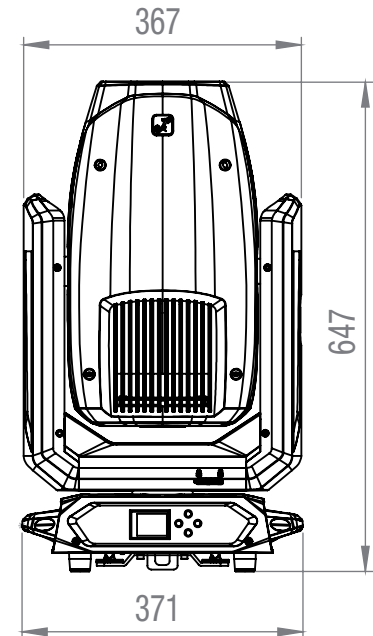
COMPACT SPOT PROFILE MOVING HEAD



SPECIFICATIONS

Product number:	CLAZORSP2
Product Category	LED Moving Head
Type	Profile Spot
Light Source	300W LED
Luminous Flux	13000
Illuminance	24000 @ 10m
Lenze / Optic	Glas
LED PWM	650 Hz; 1530 Hz; 3600 Hz; 12 kHz; 18,9kHz; 25 kHz
Dimmer Resolution	16bit
Dimmer Curves	Linear, Exponential, Logarithm, S-Curve
Halogen Simulation	yes
Strobe	Cameo Strobe Settings
LED Colors / Color Temperature	6800K
CRI	>69/ With CRI Filter >88
TLCI	N/A
Beam Angle / Field Angle	3° - 50°
Focus Operation	normal
Color Mixing	CMY
Color Wheel	8 Colors + open
Color Control	CMY
CCT	Linear CTO 6600K - 2600K, 3200K @ Colorwheel
Gobos	7 rotate + open
Prism	1x 5-facet / 1x 8-facet
Iris	yes
Frost	Heavy & Light
Animation Wheel	Yes
Framing System	4 Layers, +/-60° rotatable
Pan / Tilt Range	270° Tilt / 540° Pan or 630°
Motor Mode	N/A
Control Protocols	DMX512, RDM, iDMX Stick kompatibel
Data Connections	5-Pol XLR male / female
DMX Modes	32-CH Basic, 37-CH Standard, 43-CH Extended
DMX Functions	Pan/Tilt, Pan/Tilt fein, Dimmer, Dimmer fein, Stroboskop, Cyan, Cyan fein, Magenta, Magenta fein, Gelb, Gelb fein, CTO, CTO fein, Farbrad, Goborad 1, Goborad 1 Rotation, Goborad 1 Rotation fein, Zoom, Zoom fein, Focus, Focus fein, Autofocus, Autofocus Ausrichtung, Iris, Prismenauswahl, Prisma 1, Prisma 2, Frost Light, Frost Heavy, Blade 1 A&B, Blade 2 A&B, Blade 3 A&B, Blade 4 A&B, Framing Rotation, Framing Rotation fein, Geräteeinstellungen
RDM Functions	Cameo Standard
Stand Alone	User Scene 1-8, Master/Slave Betrieb
System Settings	Wireless, Display, Simmer, Movement, Wheels, Fan, Signal Fail, Store Default
User Interface	Mode, Enter, Up, Down
Display / Indicators	OLED Display
IP-Rating	20
Ambient Temperature Rating	0°C - 40°C
Humidity Rating	< 90%, nicht kondensierend
Cooling System	temperaturgesteuerte Lüfter
Noise Level	N/A
Operation Voltage	100 - 240 V AC / 50 - 60 Hz
Max. Current	2,5A / 230 V
Inrush Current	59A @ 1ms (240V)
Max. Power Consumption	550W
Standby Power	N/A
Fuse	T6.3A 250V (5 x 20mm)

DIMENSIONS (mm)



AZOR[®] SP2

COMPACT SPOT PROFILE MOVING HEAD



SPECIFICATIONS

Power Connection	True1 Compatible in/out
Power Link	4 Units @ 230V / 2 Units @ 110V
Risk Group	RG1
Housing	PA 66 + 15% GF
Dimensions (W/H/D)	371 x 647 x 238 mm
Weight	24 kg
RDM UID	08A40058XXXX
Protection Class	1
Min. Distance to Illuminated Surface	3m
Min. Distance to norm. Fl. Materials	0,5
Max. Power Out	8A

DIMENSIONS (mm)

